

▼ Shown from left to right: P25, P51, P18



When Less Than 10,000 psi is All You Need

- P25 and P50 pump oil in both forward and reverse handle movement improving overall efficiency, ideal when mounting space is restricted
- External load-release valve
- Internal pressure-relief valve for overload protection
- For use with single-acting cylinders and tools
- P18 vertical operation requires pump head facing down
- P25, P50 vertical operation requires pump vent side facing up
- P51 for horizontal operation only



LX101 Hand Pump Oil

A medium viscosity oil specially formulated for hand pumps. Performs well in low temperatures and requires less pumping effort than standard Enerpac HF blue oil.

Page: 152



GA45GC Gauge Adaptor

Protect yourself from system overloading by simply ordering one part number for a pre-assembled gauge, adaptor block and coupler.

Page: 162

▼ P18 hand pump used for locking the rotating table for marble polishing.



| Pump Type | Usable Oil Capacity (in ³) | Model Number | Pressure Rating (psi) | Oil Displacement per Stroke (in ³) | Max. Handle Effort (lbs) |
|--------------|---|--------------|--------------------------|---|-----------------------------|
| Single-speed | 18 | P18 | 2,850 | 0.16 | 34 |
| | 200 | P25 | 2,500 | 0.58 | 60 |
| | 200 | P50 | 5,000 | 0.29 | 60 |
| | 50 | P51 | 3,000 | 0.25 | 61 |

Low Pressure Hand Pumps

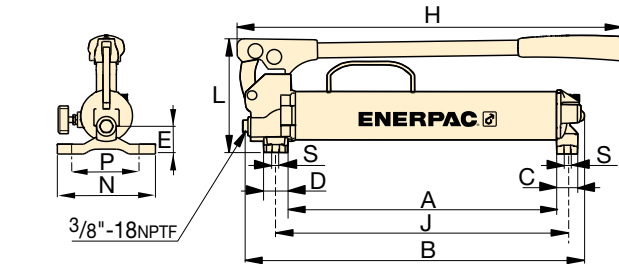
P Series



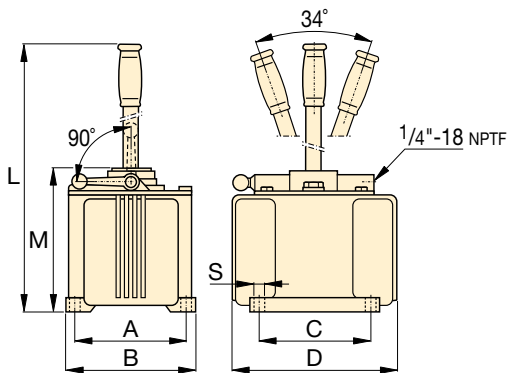
Reservoir Capacity:
18 - 200 in³

Flow at Rated Pressure:
0.16 - 0.58 in³/stroke

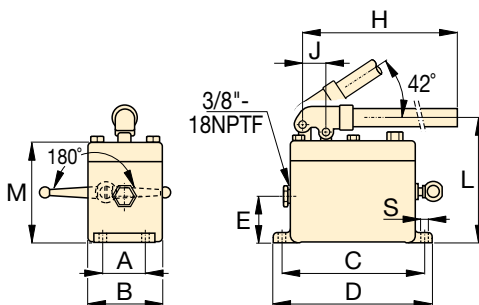
Maximum Operating Pressure:
2,500 - 5,000 psi



P18



P25, P50



P51

P51 hand pumps used with RC-series cylinders to keep wooden layers under pressure during lamination of plates.



Hoses

Enerpac offers a complete line of high-quality hydraulic hoses. To ensure the integrity of your system, specify only genuine Enerpac hydraulic hoses.

Page: **148**



MP-Series Multifluid Hand Pumps

Corrosion resistant hand pumps for low pressure filling and high pressure testing applications, suitable for a wide range of fluids.

Page: **93**



| Piston Stroke | Dimensions (in) | | | | | | | | | | | | Weight (lbs) | Model Number |
|---------------|-----------------|-------|------|------|------|-------|------|-------|------|------|------|------|--------------|--------------|
| | (in) | A | B | C | D | E | H | J | L | M | N | P | | |
| 1.00 | 8.70 | 12.44 | 1.18 | 1.38 | 1.48 | 15.17 | 9.98 | 6.39 | - | 5.51 | 4.37 | 0.33 | 11 | P18 |
| 1.50 | 6.00 | 6.82 | 6.00 | 9.43 | - | - | - | 26.94 | 7.88 | - | - | 0.40 | 36 | P25 |
| 1.50 | 6.00 | 6.82 | 6.00 | 9.43 | - | - | - | 26.94 | 7.88 | - | - | 0.40 | 37 | P50 |
| 1.00 | 2.06 | 3.63 | 7.12 | 7.88 | 2.25 | 24.00 | 1.16 | 6.31 | 5.06 | - | - | 0.34 | 12 | P51 |