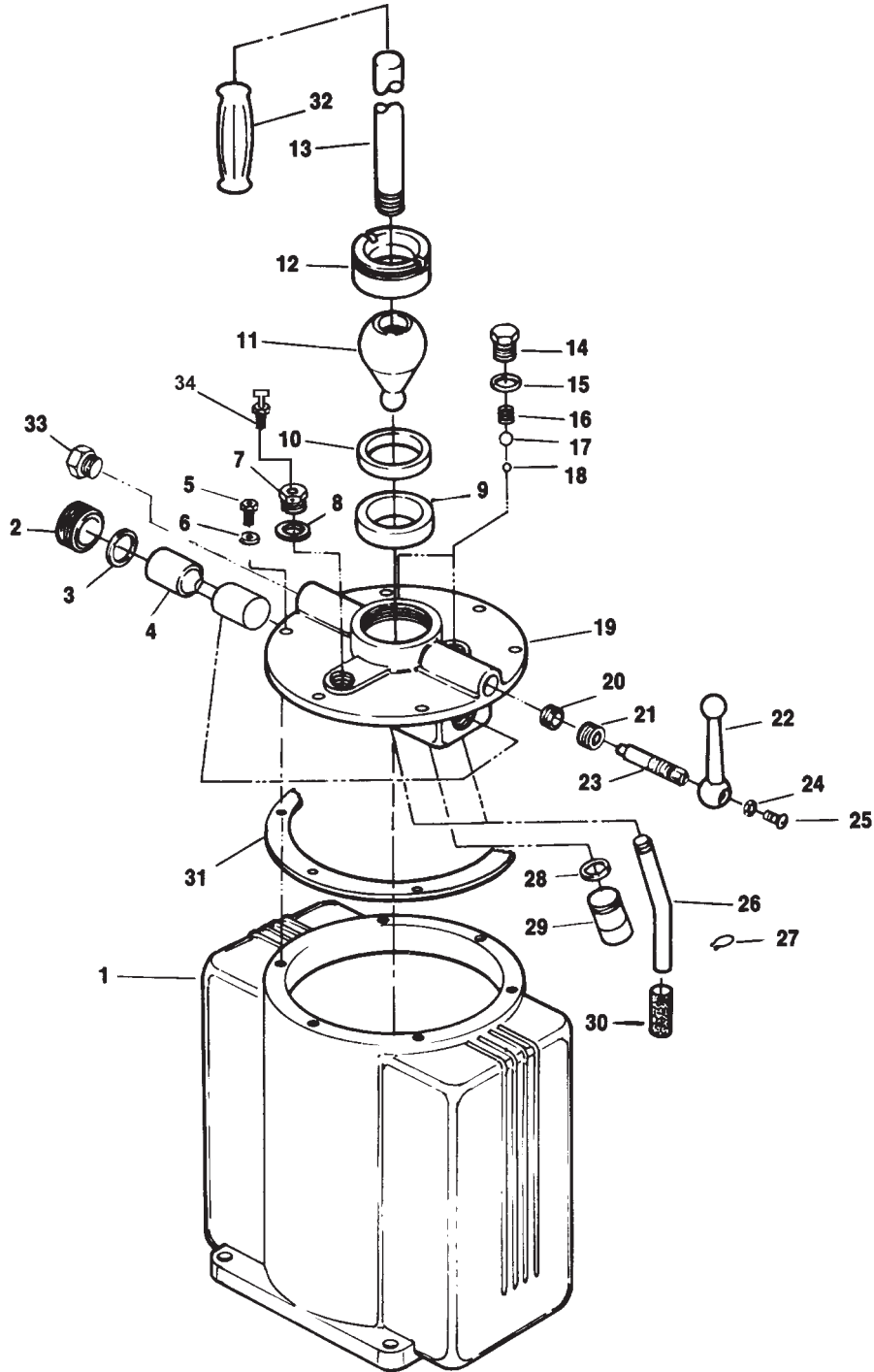




L-571
Rev. B
10/10
PC3020

For date codes beginning with "A".



TO PROTECT YOUR WARRANTY, USE ONLY ENERPAC HYDRAULIC OIL.

REPAIR PARTS LIST

Item No.	P-25	P-50	Quantity	Description
1	P6005	P6005	1	Reservoir
2	P6006	P6006	2	Plug
3	★ P6037	★ P6037	2	Gasket
4	P6351-1	P6051-1	1	Piston
5	<i>Standard hardware</i>	<i>Standard hardware</i>	6	Cap Screw ¹ / ₄ -20 UNC x ⁵ / ₈ Lg.
6	<i>Standard hardware</i>	<i>Standard hardware</i>	6	Lock Washer ¹ / ₄ bolt
7	CA365024SR	CA365024SR	1	Vent Plug (incl. item 8)
8	★ S1167	★ S1167	1	Gasket
9	P60306	P60306	1	Seat
10	★ H13236	★ H13236	1	Packing
11	P60234-1SR	P60234-1SR	1	Rocker Arm (incl. item 9,10,12)
12	P60307	P60307	1	Cap
13	A1016070	A1016070	1	Handle
14	W12185SR	W12185SR	2	Plug (incl. item 15)
15	★ S15167	★ S15167	2	Gasket
16	★ A1014110	★ A1014110	2	Spring
17	★ B1011016	★ B1011016	2	Ball
18	★ B1008016	★ B1008016	2	Ball
19	P97264SR	P141264SR	1	Pump Head Assembly
20	★ A1028074	★ A1028074	4	Packing
21	P6011	P6011	1	Nut
22	P6012SR	P6012SR	1	Lever (incl. item 24,25)
23	P6010	P6010	1	Release Valve Spindle
24	P45139	P45139	1	Washer
25	P45138	P45138	1	Screw
26	P60268	P60268	2	Oil Tube
27	A8061049	A8061049	2	Retaining Ring
28	★ B159167	★ B159167	1	Gasket
29	P181190W	P181190W	1	Relief Valve
30	A8018018	A8018018	2	Screen
31	★ P60161	★ P60161	1	Reservoir Gasket
32	CJ46550	CJ46550	1	Grip
33	A8069006	A8069006	1	Pipe Plug
34	CA561024	CA561024	1	Drain Cock

★ Indicates items included in and available only as part of Repair Kit P50K1.

ENERPAC
P.O. Box 3241
6100 N. Baker Road
Milwaukee, WI 53209 USA
Tel: +1 262 781 6600
Fax: +1 262 783 9562

User inquiries:
+1 800 433 2766
Inquiries/orders:
+1 800 558 0530
Technical Inquiries:
techservices@enerpac.com

All Enerpac products are guaranteed against defects in workmanship and materials for as long as you own them. For your nearest authorized Enerpac Service Center, visit us at www.enerpac.com

e-mail: info@enerpac.com

internet: www.enerpac.com