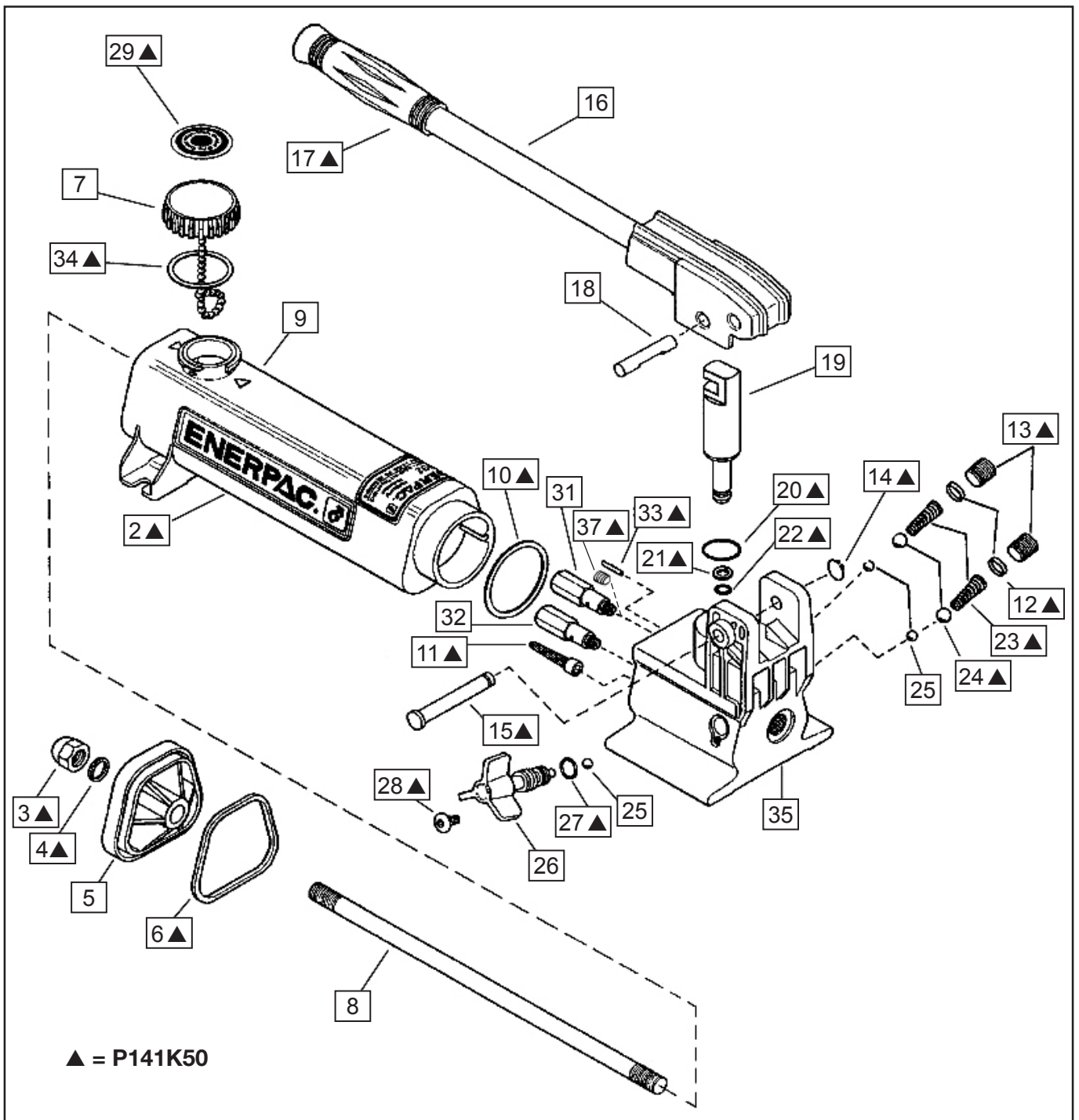


Repair Parts Sheet	Revision	Revision Date	Product Code Beginning
Reference nr. L2852	Rev.A	04 /2009	C



Repair Parts List

L 2852

Item	Description	Qty.	P141	P142
2	Enerpac Decal	2	▲	▲
3	Acorn Nut	1	▲	▲
4	Gasket	1	▲	▲
5	End Cap (incl. 3,4,6)	1	CN402020SR	CN402020SR
6	Square Ring	1	▲	▲
7	Vent Cap Assy (incl. 29,34)	1	CN766950SR	CN766950SR
8	Tie Rod	1		
9	Reservoir Yellow (incl. 2,3,4,6,10,34)	1	CN782025SR	CN782025SR
10	Square Ring	1	▲	▲
11	Filter	1	▲	▲
12	Spring Cap	2	▲	▲
13	Pipe Plug	2	▲	▲
14	Retaining Ring	1	▲	▲
15	Beam Pin	1	▲	▲
16	Beam / Handle Assy.	1	CL915900SR	CL915900SR
17	Handle Grip	1	▲	▲
18	Cross Pin	1	P20857	P20857
19	Plunger (incl. 20,21,22,30, not shown)	1	CN412040SR	CN412040SR
20	O Ring	1	▲	▲
21	Back Up Ring	1	▲	▲
22	O Ring	1	▲	▲
23	Spring	2	▲	▲
24	Ball	2	▲	▲
25a	Ball	2	▲	
25b	Ball	3		▲
26	Spindle Assy (incl. 25,27,28)	1	CL913900SR	CL913900SR
27	O Ring	1	▲	▲
28	Trust Head Machine Screw	1	▲	▲
29	Fill Decal	1	▲	▲
31	Bypass Valve	1		DA5493900SR
32	Relief Valve	1	DA8802900SR	DA8802900SR
33	Spring Pin	1	▲	▲
34	Vent Cap Gasket	1	▲	▲
35	Pump Base	1	Not available as service part, order new pump	
37	Pipe Plug	1	▲	
	Repair Kit		P141K50	P141K50

▲ = indicates items included in and available only as part of Repair kit P141K50



Item	Torque / remark
3	20Nm -15ft lbs
13	38 - 46Nm 28 - 34Ft lbs
18	Apply bearing grease to contact surfaces of pin and plunger
25	Item 25 low pressure inlet ball not used in P141
31	14 - 16Nm 10 - 12 Ft lbs (Only used in P142)
32	14 - 16Nm 10 - 12 Ft lbs
37	Plug item 37 is used instead of bypass valve 31 in P141

Item	Relief valve setting
31	14-19 Bar 200-275 Psi (Only used in P142)
32	690 - 724 Bar 10000 - 10500Psi



To maintain your warranty,
have your products inspected and repaired
by an authorised Enerpac Service Centre

www.enerpac.com