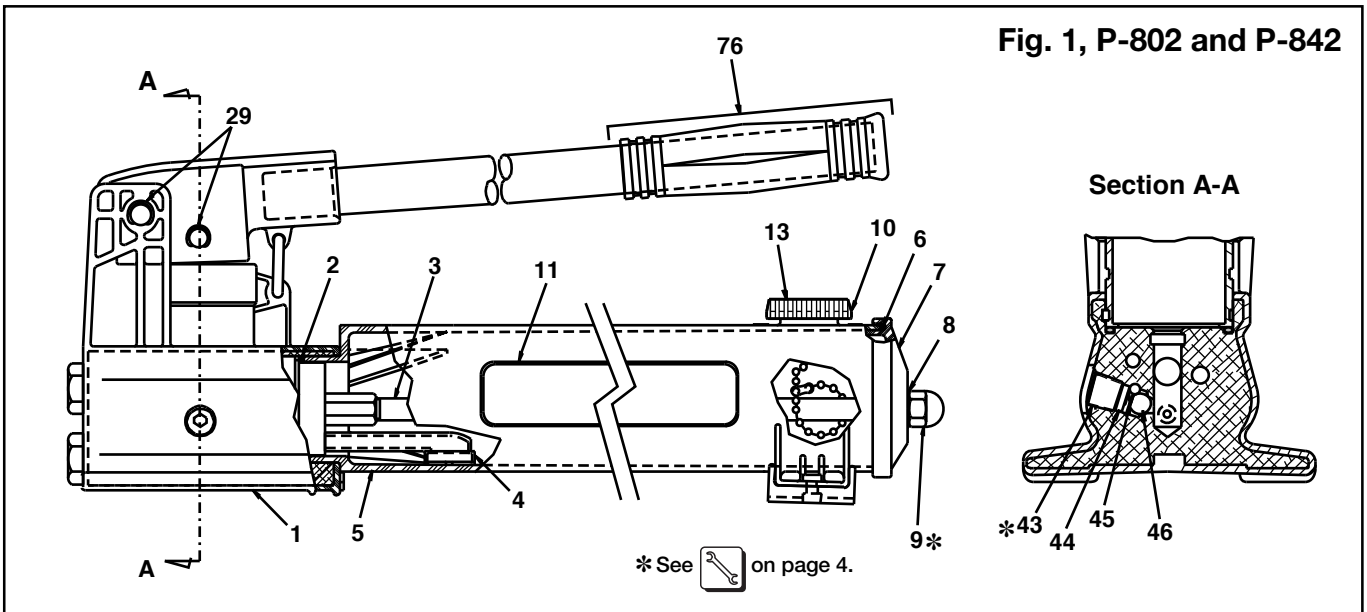


Repair Parts Sheet	Revision	Revision Date	Product Code Beginning
L2124	Rev. H	03/2011	A

Fig. 1, P-802 and P-842



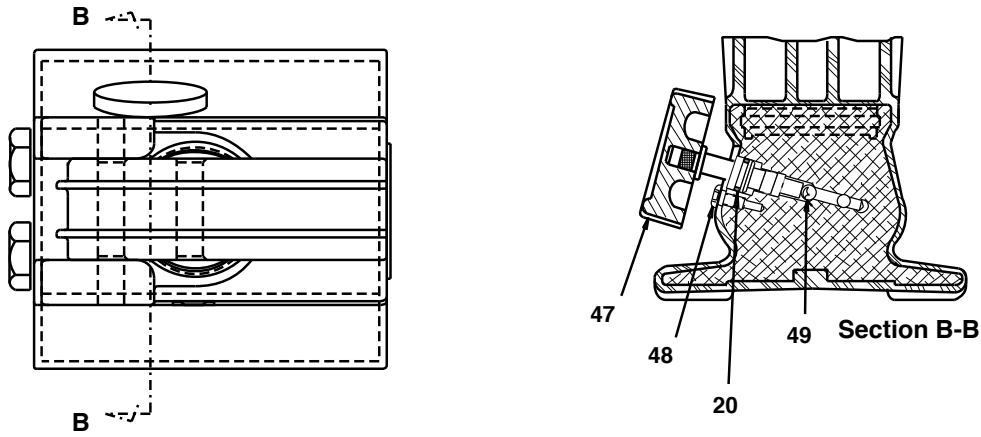
Repair Parts List, Fig. 1

L2124

Item	Part Number	Qty.	Description	Item	Part Number	Qty.	Description
1	(not sold for service)	1	Pump Base	11	▲ DC690026	2	Enerpac Decal
2	▲ B1270503	1	O-Ring	12	DA5255026	1	Model Number Decal
3	DA7957149	1	Tie Rod	13	▲ CN780026	1	Vent Cap Decal
4	▲ DA3729900SR	1	Filter Assembly	29	DA1177349	2	Retaining Ring
5	DA8384900SR	1	Reservoir Assembly	43	CN815006	1	Pipe Plug
6	▲ B1291503	1	O-Ring	44	▲ DA3702020	1	Spring Cap
7	CN823020	1	End Cap	45	▲ DA1176210	1	Conical Spring
8	▲ CU293167	1	Gasket	46	▲ B1009016	2	Ball
9	CL341055	1	Acorn Nut	76	CL343550	1	Handle Grip
10	CN766950SR	1	Vent Cap Assembly	77	▲ DC1357026	1	Decal, Bypass Opr. (NS)

▲ Indicated items are available only as part of repair kit P842K50. (NS) = Not Shown.

Fig. 2, P-802 Only - Section B-B



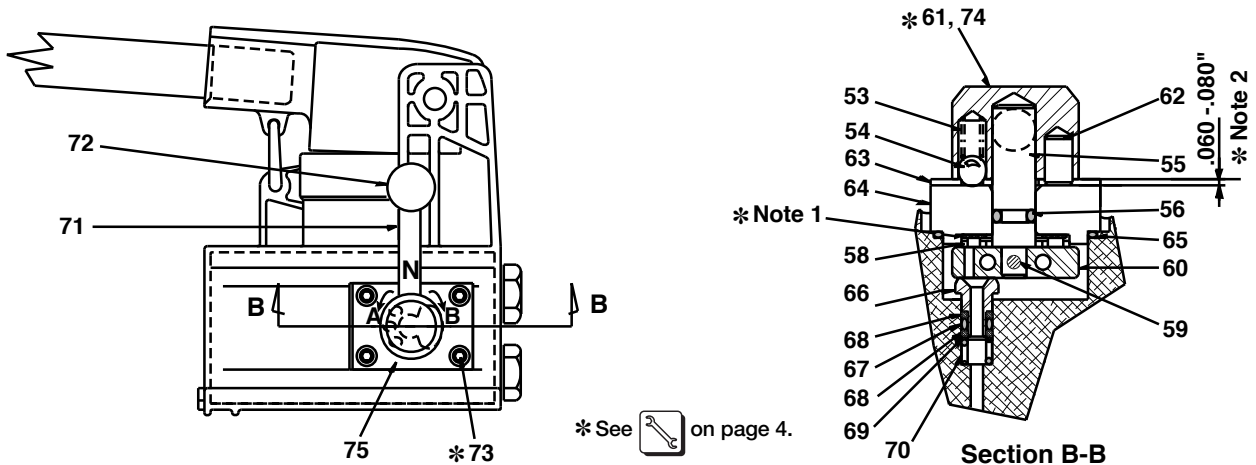
Repair Parts List, Fig. 2

L2124

Item	Part Number	Qty.	Description	Item	Part Number	Qty.	Description
20	▲ B1007503	1	O-Ring	48	CU921028	1	Truss Hd. Mach. Screw
47	DA6301900	1	Valve Spindle	49	▲ B1006016	1	Ball

▲ Indicated items are available only as part of repair kit P842K50.

Fig. 3, P-842 Only - Section B-B



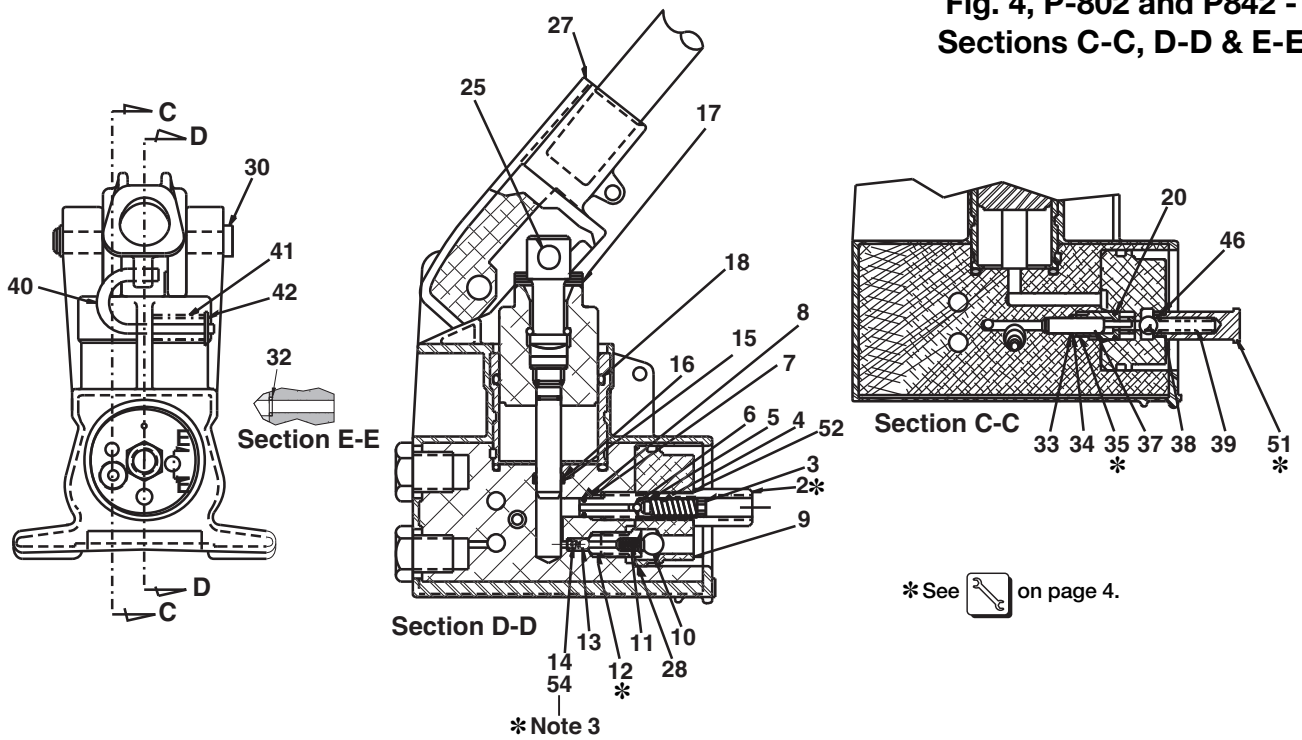
Repair Parts List, Fig. 3

L2124

Item	Part Number	Qty.	Description	Item	Part Number	Qty.	Description
53	▲ A8161110	1	Compression Spring	65	▲ B1233503	1	O-Ring
54	▲ B1007016	1	Ball	66	DA11071041SR	3	Seal Poppet Assy. (incl. items 65, 67, 68, 69, 70)
55	DC703104	1	Shaft	67	▲ B1002503	3	O-Ring
56	▲ B1005503	1	O-Ring	68	▲ DA7285566	6	Back-Up Washer
58	C940155	1	Bearing	69	▲ DA7287108	3	Washer
59	B1040057	1	Spring Pin	70	▲ DA7286110	3	Compression Spring
60	DC1363900SR	1	Plug and Disc Assy. (incl. items 55, 56, 59, 65)	71	DA9345070	1	Handle
61	DA7297815	1	Hub Screw	72	DA6951147	1	Knob
62	B1126057	1	Roll Pin	73	B2509028	4	Screw
63	DA7298101	1	Detent	74	BF2504027B	2	Set Screw
64	DA7299098	1	Cover	75	▲ DC1353026	1	Decal

▲ Indicated items are available only as part of repair kit P842K50.

**Fig. 4, P-802 and P842 -
Sections C-C, D-D & E-E**



Repair Parts List, Fig. 4

L2124

Item	Part Number	Qty.	Description	Item	Part Number	Qty.	Description
2	DA7557190	1	Valve Body	25	DC106061	1	Beam Pin
3	A8116048	1	Hollow Lock Screw	27	CL918900SR	1	Beam and Handle Assy.
4	A8126110	1	Compression Spring	28	† ▲ B1239503	1	O-Ring
5	A8038570	1	Ball Cap	30	CR214061SR	1	Beam Pin Assembly
6	▲ B1003016	1	Ball	32	† ▲ B1008903	1	O-Ring
7	▲ B1009564	1	Teflon Back-Up Washer	33	▲ B1010903	1	O-Ring
8	▲ B1009903	1	O-Ring	34	▲ B1010566	1	Teflon Washer
9	† DC595071	1	Valve Disc	35	DC596290	1	Insert, Seat
10	† ▲ B1011016	1	Ball	37	DA10249051	1	Piston
11	† ▲ DA4527110	1	Spring	38	◆▲ DA10259167	1	Copper Gasket
12	* DA7556290	1	Valve Seat, 0.93" Dia.	39	◆ DA10157110	1	Spring
13	*▲ B1005016	1	Ball	40	CM927061	1	Locking Pin
14	*▲ DC1124210	1	Conical Spring	41	Y267110	1	Spring
15	▲ B1013903	1	O-Ring	42	CM928044	1	Push On Ring
16	▲ B1013564	1	Back-Up Washer	46	◆▲ B1009016	2	Ball
17	DC538900SR	1	Plunger	51	◆ DA10246020	1	Spring Cap
18	▲ DC1170041	1	Seal	52	▲ DA4535167	2	Gasket
20	▲ B1007503	1	O-Ring	54	*▲ DD1161013	1	Guide, Spring

▲ Indicated items are available only as part of repair kit P842K50.

† Indicated items are available only as part of repair kit DA10161071K.

* Indicated items are available only as part of repair kit DA7556290SR.

◆ Indicated items are available only as part of repair kit DA10246020K.



* Service Information			L2124
Fig.	Item	Torque / notes	
1	9	21 - 26 Nm 15 - 19 Ft - Lbs.	
1	43	38 - 46 Nm 28 - 34 Ft - Lbs.	
3	61	Apply Loctite 242 to threads.	
3	73	2.8 - 3.4 Nm 25 - 30 In - Lbs.	
3	73	Apply Loctite 242 to threads.	
3	74	Apply Loctite 242 to threads.	
3	Note 1	Use only one thrust race in this position.	
3	Note 2	Pin Extension: 0.060 - 0.080 inch.	
4	2	34 - 40 Nm 25 - 30 Ft - Lbs.	
4	12	34 - 47 Nm 25 - 35 Ft - Lbs.	
4	35	8 - 11 Nm 6 - 8 Ft - Lbs.	
4	51	8 - 11 Nm 6 - 8 Ft - Lbs.	
4	Note 3	<p>Important: Pump must function properly when used in cold ambient temperatures. Install spring guide (item 54), new conical spring (item 14), new ball (item 13), and new valve seat (item 12) to ensure reliable pump operation during cold conditions.</p> <p>Spring guide (item 54) should be installed even on older pumps that were originally not manufactured with this part.</p>	

* Pressure Settings			L2124
Fig.	Item	Setting / notes	
4	2	690 - 758 Bar 10,000 - 11,000 Psi (safety relief valve)	



To maintain your warranty:

- Use only Enerpac Oil
- Have your products inspected and repaired by an Enerpac Authorized Service Center



Visit www.enerpac.com for the location of the Enerpac Authorized Service Center nearest you.