

▼ Pumps shown, from top to bottom: P802, P842, P202, P142



Exclusively from Enerpac

i Cylinder Matching Chart
 For help in selecting the correct hand pump for your application, please refer to the Cylinder Matching Chart located in the “Yellow Pages”.

Page: 402

i Speed Chart
 To determine how a specific pump will operate your cylinder, see the Pump/Cylinder Speed Chart in the “Yellow Pages”.

Page: 409

- Lightweight and compact design
- Durable glass-filled nylon reservoir and nylon encapsulated aluminum pump base for maximum corrosion resistance
- Two-speed operation on most models reduces handle strokes by as much as 78% over single speed pumps
- Lower handle effort to minimize operator fatigue
- Integral 4-way valve on P842 for operation of double-acting cylinders
- Handle lock and lightweight construction for easy carrying
- Large oil capacities to power a wide range of cylinders or tools
- Non-conductive fiberglass handle for operator safety
- Internal pressure relief valve for overload protection



Tank Kits

When a return-to-tank port is required, the Tank Kits provide a 7/16"-20 port at the rear of the reservoir.

PC20	Fits P141, P142
PC25	Fits P202, P391, P392



LX101 Hand Pump Oil

A medium viscosity oil specially formulated for hand pumps. Performs well in low temperatures and requires less pumping effort than standard Enerpac HF blue oil.

Page: 152

▼ P392 in action with RC256 cylinders.

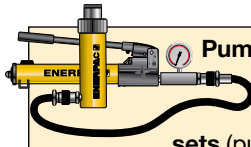


Pump Type	Usable Oil Capacity (in ³)	Model Number	Pressure Rating*		Oil Displacement per Stroke		Max. Handle Effort (lbs)
			(psi)		(in ³)		
			1 st stage	2 nd stage	1 st stage	2 nd stage	
Single speed	20	P141	N/A	10,000	N/A	0.055	72
	55	P391	N/A	10,000	N/A	0.151	85
Two speed	20	P142**	200	10,000	0.221	0.055	78
	55	P202	200	10,000	0.221	0.055	63
	55	P392**	200	10,000	0.687	0.151	93
	155	P802	400	10,000	2.40	0.151	95
	155	P842***	400	10,000	2.40	0.151	95

* Contact Enerpac for applications where operating pressure is less than 10% of pressure rating.

** Available as set, see note on top of next page.

*** For use with double-acting cylinders.



Pump and Cylinder Sets
Pumps marked with an ** are available as sets (pump, cylinder, gauge, couplers and hose) for your ordering convenience.

Page: **62**


P Series



Reservoir Capacity:
20 - 155 in³


Flow at Rated Pressure:
0.055 - 0.15 in³/stroke

Maximum Operating Pressure:
10,000 psi




Hoses
Enerpac offers a complete line of high-quality hydraulic hoses. To ensure the integrity of your system, specify only genuine Enerpac hydraulic hoses.

Page: **148**

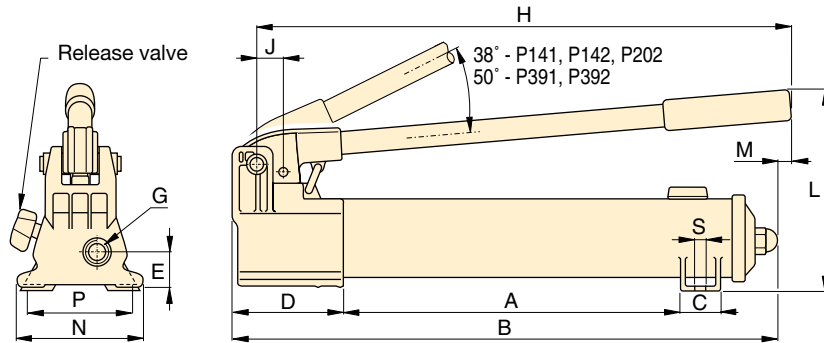


GA45GC Gauge Adaptor
Protect yourself from system overloading by simply ordering one part number for a pre-assembled gauge, adaptor block and coupler.

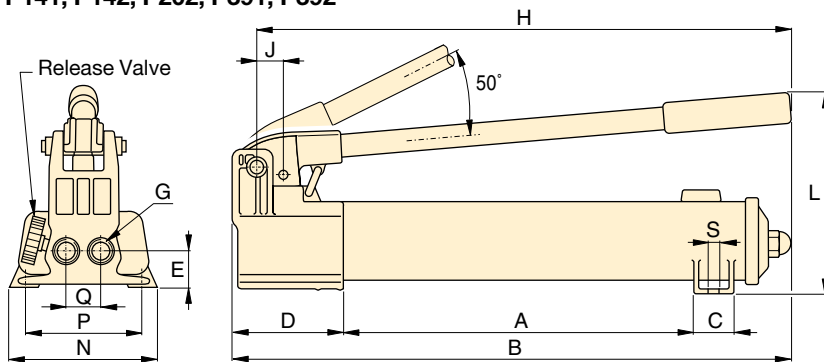
Page: **162**



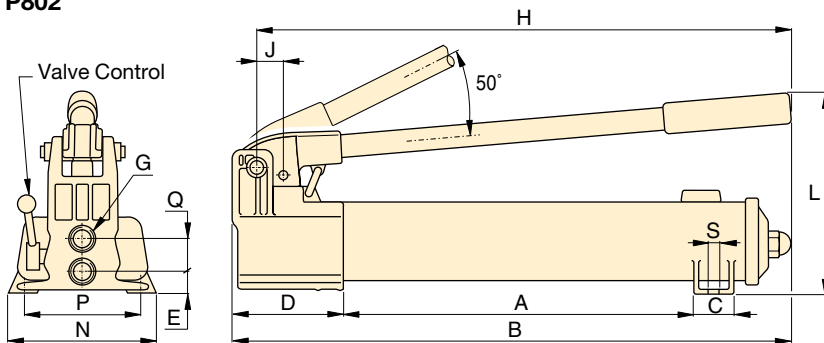
Aluminum Reservoir
For applications where composite reservoirs may not be suitable, the **P392AL** utilizes an extruded aluminum reservoir. Also included is a second handle for two-hand use. Contact Enerpac for details.



P141, P142, P202, P391, P392



P802



P842

Piston Stroke	Dimensions (in)															Weight (lbs)	Model Number
	(in)	A	B	C	D	E	G	H	J	L	M	N	P	Q	S		
0.50	7.31	13.25	1.13	3.37	1.13	1/4"-18 NPTF	12.56	0.75	5.63	-	3.75	3.25	-	0.28	4.5	P141	
1.00	13.56	21.00	1.44	3.93	1.31	3/8"-18 NPTF	20.56	1.19	7.00	0.63	4.75	-	-	-	9.0	P391	
0.50	7.31	13.25	1.13	3.37	1.13	1/4"-18 NPTF	12.56	0.75	5.63	-	3.75	3.25	-	0.28	5.3	P142**	
0.50	13.56	20.06	1.44	3.37	1.13	1/4"-18 NPTF	15.75	0.75	5.69	0.63	3.75	-	-	-	7.5	P202	
1.00	13.56	21.00	1.44	3.93	1.31	3/8"-18 NPTF	20.56	1.19	7.00	0.63	-	-	-	-	9.0	P392**	
1.00	13.30	21.75	1.78	5.25	1.39	3/8"-18 NPTF	20.75	2.19	9.00	-	7.12	6.02	1.40	0.41	18.0	P802	
1.00	13.30	21.75	1.78	5.25	0.81	3/8"-18 NPTF	20.75	2.19	9.00	-	7.12	6.02	1.44	0.41	22.0	P842***	