

L1763 Rev I 03/09

Index:

English	1-7
Français	8-14
Deutsch	15-22
Italiano	23-29
Español	30-36
Nederlands	37-44
Portuguese	45-51
日本語	52-58
中文	59-64
Svenska	65-71
Greek	72-80
Finnish	81-87
Russian	88-95

Repair Parts Sheets for this product are available from the Enerpac web site at www.enerpac.com, or from your nearest Authorized Enerpac Service Center or Enerpac Sales office.

1.0 IMPORTANT RECEIVING INSTRUCTIONS

Visually inspect all components for shipping damage. Shipping damage is **not** covered by warranty. If shipping damage is found, notify carrier at once. The carrier is responsible for all repair and replacement costs resulting from damage in shipment.

SAFETY FIRST

2.0 SAFETY ISSUES



Read all instructions, warnings and cautions carefully. Follow all safety precautions to avoid personal injury or property damage during system operation. Enerpac cannot be responsible for damage or injury resulting from unsafe product use, lack of maintenance or incorrect product and/or system operation. Contact Enerpac when in doubt as to the safety precautions and operations. If you have never been trained on high-pressure hydraulic safety, consult your distribution or service center for a free Enerpac Hydraulic safety course.

Failure to comply with the following cautions and warnings could cause equipment damage and personal injury.

A **CAUTION** is used to indicate correct operating or maintenance procedures and practices to prevent damage to, or destruction of equipment or other property.

A **WARNING** indicates a potential danger that requires correct procedures or practices to avoid personal injury.

A **DANGER** is only used when your action or lack of action may cause serious injury or even death.



WARNING: Wear proper personal protective gear when operating hydraulic equipment.



WARNING: Stay clear of loads supported by hydraulics. A cylinder, when used as a load lifting device, should never be used as a load holding device. After the load

has been raised or lowered, it must always be blocked mechanically.



WARNING: USE ONLY RIGID PIECES TO HOLD LOADS. Carefully select steel or wood blocks that are capable of supporting the load. Never use a hydraulic cylinder as a shim or spacer in any lifting or pressing application.



DANGER: To avoid personal injury keep hands and feet away from cylinder and workpiece during operation.



WARNING: Do not exceed equipment ratings. Never attempt to lift a load weighing more than the capacity of the cylinder. Overloading causes equipment failure and possible personal injury. The cylinders are designed for a max. pressure of 700 bar [10,000 psi]. Do not connect a jack or cylinder to a pump with a higher pressure rating.



DANGER: Never set the relief valve to a higher pressure than the maximum rated pressure of the pump. Higher settings may result in equipment damage and/or personal injury. Do not remove relief valve.



WARNING: The system operating pressure must not exceed the pressure rating of the lowest rated component in the system. Install pressure gauges in the system to monitor operating pressure. It is your window to what is happening in the system.



CAUTION: Avoid damaging hydraulic hose. Avoid sharp bends and kinks when routing hydraulic hoses. Using a bent or kinked hose will cause severe back-pressure. Sharp bends and kinks will internally damage the hose leading to premature hose failure.



Do not drop heavy objects on hose. A sharp impact may cause internal damage to hose wire strands. Applying pressure to a damaged hose may cause it to rupture.



IMPORTANT: Do not lift hydraulic equipment by the hoses or swivel couplers. Use the carrying handle or other means of safe transport.



CAUTION: Keep hydraulic equipment away from flames and heat. Excessive heat will soften packings and seals, resulting in fluid leaks. Heat also weakens hose materials and packings. For optimum performance do not expose equipment to temperatures of 65 °C [150 °F] or higher. Protect hoses and cylinders from weld spatter.



DANGER: Do not handle pressurized hoses. Escaping oil under pressure can penetrate the skin, causing serious injury. If oil is injected under the skin, see a doctor immediately.



WARNING: Only use hydraulic cylinders in a coupled system. Never use a cylinder with unconnected couplers. If the cylinder becomes extremely overloaded, components can fail catastrophically causing severe personal injury.



WARNING: BE SURE SETUP IS STABLE BEFORE LIFTING LOAD. Cylinders should be placed on a flat surface that can support the load. Where applicable, use a cylinder base for added stability. Do not weld or otherwise modify the cylinder to attach a base or other support.



Avoid situations where loads are not directly centered on the cylinder plunger. Off-center loads produce considerable strain on cylinders and plungers. In addition, the load may slip or fall, causing potentially dangerous results.



Distribute the load evenly across the entire saddle surface. Always use a saddle to protect the plunger.



IMPORTANT: Hydraulic equipment must only be serviced by a qualified hydraulic technician. For repair service, contact the Authorized ENERPAC Service Center in your area. To protect your warranty, use only ENERPAC oil.



WARNING: Immediately replace worn or damaged parts by genuine ENERPAC parts. Standard grade parts will break causing personal injury and property damage. ENERPAC parts are designed to fit properly and withstand high loads.



CAUTION: Always use the handle to carry the pump. Carrying the pump by the hose may damage the hose and/or the pump.

SPECIFICATIONS – Use this instruction sheet for the following hand pump models.						
Hand Pump Specifications						
Model	Type (Speed)	Maximum Pressure Rating psi [bar]		Oil Volume per Stroke in ³ [cm ³]		Usable Oil Capacity in ³ [cm ³]
EHF-65	1	6,500 [440]		.16 [2.62]		22 [360]
P-18	1	2,850 [200]		.16 [2.62]		22 [360]
P-25	1	2,500 [170]		.58 [9.51]		231 [3786]
P-39, 1003	1	10,000 [700]		.16 [2.62]		43 [705]
P-50	1	5,000 [340]		.29 [4.75]		231 [3786]
P-51	1	3,000 [210]		.25 [4.09]		50 [820]
P-141, 1001	1	10,000 [700]		.055 [.90]		20 [328]
P-391, 1004	1	10,000 [700]		.151 [2.47]		55 [900]
		Stage 1	Stage 2	Stage 1	Stage 2	
P-80, 1006	2	350 [25]	10,000 [700]	.99 [16.23]	.15 [2.46]	140 [2295]
P-84	2	350 [25]	10,000 [700]	.99 [16.23]	.15 [2.46]	140 [2295]
P-142, 1002	2	200 [14]	10,000 [700]	.221 [3.62]	.055 [.90]	20 [328]
P-142AL	2	200 [14]	10,000 [700]	.221 [3.62]	.055 [.90]	9.0 [148]
P-202	2	200 [14]	10,000 [700]	.221 [3.62]	.055 [.90]	55 [900]
P-77	2	200 [14]	10,000 [700]	.63 [16.0]	.094 [2.41]	47 [769]
P-392, 1005	2	200 [14]	10,000 [700]	.687 [11.26]	.151 [2.47]	55 [900]
P-392AL	2	200 [14]	10,000 [700]	.687 [11.26]	.151 [2.47]	55 [900]
P-462	2	200 [14]	10,000 [700]	7.69 [126.00]	.29 [4.75]	462 [7572]
P-464	2	200 [14]	10,000 [700]	7.69 [126.00]	.29 [4.75]	462 [7572]
P-801	2	350 [25]	10,000 [700]	.99 [16.23]	.15 [2.46]	250 [4095]
P-802	2	400 [28]	10,000 [700]	2.40 [39.34]	.15 [2.46]	155 [2540]
P-842	2	400 [28]	10,000 [700]	2.40 [39.34]	.15 [2.46]	155 [2540]

3.0 DESCRIPTION

3.1 Models P-141, 1001; P-142, 1002; P-202; P-391, 1004; P-392, 1005; P-802; P-842

Figure 1 and the corresponding table show the main components of hand pump models P-141, P-142, P-202, P-391, P-392, P-802, and P-842. The dual-purpose vent/fill cap acts as a pressure relief valve in case of accidental reservoir pressurization. To provide an access port at the rear of the reservoir for remote valves, use a return-to-tank kit. See the Table 1 for kit model numbers.

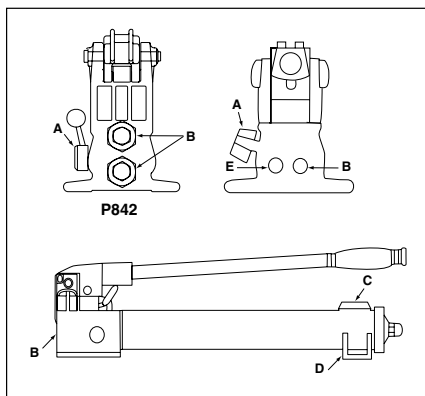


Figure 1

3.2 Models P-18/P-39, 1003/P-80, 1006/P-84/P-801, P-77

Figure 2 and the corresponding table below show the main components of these hand pump models. Model P-84 is equipped with a 4-way, 3-position valve for use with double-acting cylinders. To convert models P-18 or P-39 to foot operation, order Kit PC-10.

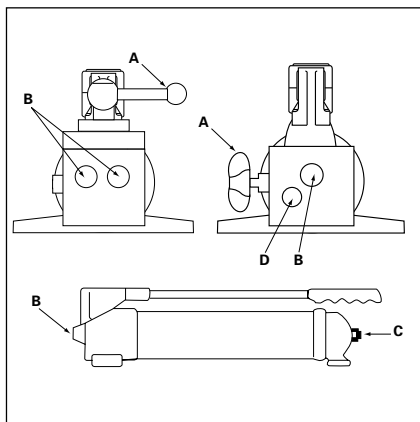


Figure 2



WARNING: These pumps are operated with a non-vented reservoir. If the reservoir is subjected to high pressure, the casing may rupture, causing personal injury and/or equipment damage. NEVER attempt to return more oil to the reservoir than it is capable of holding.

Table 1

Fig. 1	P-141, 1001	P-142, 1002	P-202	P-391, 1004	P-392, 1005	P-802	P-842
A	Release Valve	Release Valve	Release Valve	Release Valve	Release Valve	Release Valve	4-Way Valve
B	1/4 NPTF Outlet Port	1/4 NPTF Outlet Port	1/4 NPTF Outlet Port	3/8 NPTF Outlet Port	3/8 NPTF Outlet Port	3/8 NPTF Outlet Port	3/8 NPTF Outlet Port
C	Vent/Fill Cap	Vent/Fill Cap	Vent/Fill Cap	Vent/Fill Cap	Vent/Fill Cap	Vent/Fill Cap	Vent/Fill Cap
D	Mounting	Mounting Slots	—	—	—	Mounting Slots	Mounting Slots
E	—	—	—	—	—	Return-to-Tank Port	—
Return-to-Tank Kit	PC-20	PC-20	PC-25	PC-25	PC-25	—	—

Table 2

Fig. 2	P-18	P-39, 1003	P-77	P-80, 1006	P-84	P-801
A	Release Valve	Release Valve	Release Valve	Release Valve	Release Valve	Release Valve
B	3/8 NPTF Outlet Port	3/8 NPTF Outlet Port	3/8 NPTF Outlet Port	3/8 NPTF Outlet Port	3/8 NPTF Outlet Port	3/8 NPTF Outlet Port
C	Fill Plug	Fill Plug	Fill Plug	Fill Plug	Fill Plug	Fill Plug
D	—	—	—	1/4 NPTF Return-to-Tank Port	—	1/4 NPTF Return-to-Tank Port

3.3 Models P-462 and P-464

Figure 3 and the table below show the main features of hand pump models P-462, for use with single-acting cylinders, and P-464, for use with double-acting cylinders.

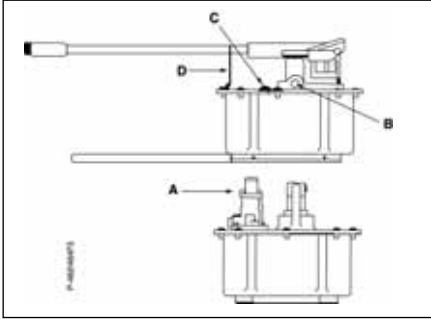


Figure 3, Models P-462, P-464

Table 3		
Fig. 3	P-462	P-464
A	3-Way 2-Position Valve	4-Way 3-Position Valve
B	3/8 NPTF Outlet Port	3/8 NPTF Outlet Port
C	Vent/Fill Plug	Vent/Fill Plug
D	Handle Clip	Handle Clip

3.4 Models P-25, P-50, and P-51

Figure 4 shows hand pump models P-25 and P-50, both of which are equipped with a handle that operates in both directions. Figure 5 shows the P-51 hand pump. The main components of these pumps are listed in the table below.

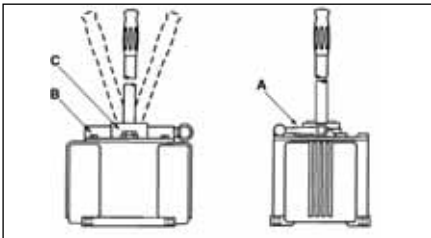


Figure 4, Models P-25 and P-50

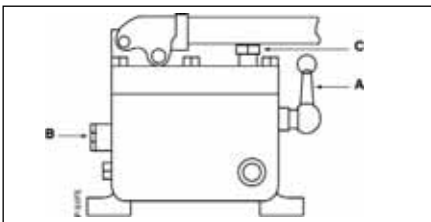


Figure 5, Model P-51

Table 4 and 5			
Fig. 4 & 5	P-25	P-50	P-51
A	Release Valve	Release Valve	Release Valve
B	1/4 NPTF Outlet Port	1/4 NPTF Outlet Port	1/4 NPTF Outlet Port
C	Vent/Fill Cap	Vent/Fill Cap	Vent/Fill Cap

4.0 INSTALLATION

4.1 Connecting the Pump

1. Thread hose into pump outlet. Use 1 1/2 wraps of Teflon tape (or suitable thread sealant) on hose fitting, leaving the first complete thread free of tape to ensure that tape does not shed into hydraulic system, causing damage. Trim loose ends.
2. Install a pressure gauge in-line from the pump for added safety and better control.
3. Connect the hose(s) to your cylinder or tool.

NOTE: For single-acting cylinders, connect one hose from the pump to the cylinder. For double-acting cylinders, connect two hoses. Connect one hose from the pressure port of the pump to the pressure port of the cylinder. Connect another hose from the retract port of the pump to the retract port of the cylinder.

4.2 Pump Venting

See table below to determine if your pump should be operated with a vented or non-vented reservoir. Vented pumps provide slightly better performance. For pumps with nylon reservoir, turn vent/fill cap 1/4 turn counter-clockwise to vent. For other pumps, see decal on pump. Close vent prior to transporting pump to prevent oil leakage. P-80, P-801, and P-84 are vented by turning the valve counterclockwise. To close the vent, turn the valve clockwise.

VENTING OPTIONS

EHF-65non-vented	P-202either
P-18non-vented	P-391, 1004either
P-25either	P-77vented
P-39, 1003non-vented	P-392, 1005 either
P-50either	P-392ALvented
P-51vented	P-462vented
P-80, 1006either	P-464vented
P-84either	P-801non-vented
P-141, 1001either	P-802either
P-142, 1002either	P-842either
P-142ALnon-vented	

4.3 Pump Position

See table below to determine the correct operating position for your pump, horizontal or vertical. The P-80, P-801, and P-84 cannot be vented when operated vertically.

OPERATING POSITION

EHF-65 either	P-202 either
P-18 either	P-391, 1004 either
P-25 horizontal only	P-77 either
P-39, 1003 either	P-392, 1005 either
P-50 horizontal only	P-392AL either
P-51 horizontal only	P-462 ... horizontal only
P-80, 1006 either	P-464 ... horizontal only
P-84 either	P-801 either
P-141, 1001 either	P-802 either
P-142, 1002 either	P-842 either
P-142AL either	

NOTE: When operating the pump in the vertical position, the hose end must be pointed down, or the pump will pick up air and will not build pressure properly.

5.0 OPERATION

5.1 Before Using the Pump

1. Check all system fittings and connections to be sure they are tight and leak free.
2. Check oil level in reservoir before operating pump. See "Adding Oil to the Pump" on page 7.



CAUTION: NEVER add extensions to pump handle. Extensions cause unstable pump operation.



WARNING: In certain situations the pump handle can "kick back". Always keep your body to the side of the pump, away from the line of force of the handle.

NOTE: To reduce handle effort at high pressure, take short strokes. Maximum leverage is obtained in the last 5° of stroke.

5.2 Using Two-Speed Pumps

These pumps provide 2-stage flow. Under no-load, the pump operates in the high flow first stage for rapid advance. When the load is contacted, the pump automatically shifts to the second stage for building pressure. For **P-462 or P-464 models**, when pump pressure reaches approximately 200 psi [14 bar], you must momentarily stop pumping and raise the handle to shift to the high pressure stage. For **P-802 or P-842 models**, when pump pressure reaches approximately 400 psi [28 bar], you must momentarily stop pumping and raise the handle to shift to the high pressure stage. After the pump shifts, pumping takes less effort.

NOTE: For best performance, operate pump handle at moderate speed during the high flow first stage. Rapid handle speed in the first stage will prevent the pump from delivering full volume of oil.

5.3 Single-Acting Applications with Release Valve

1. Close release valve by turning clockwise, as shown in Figure 6.

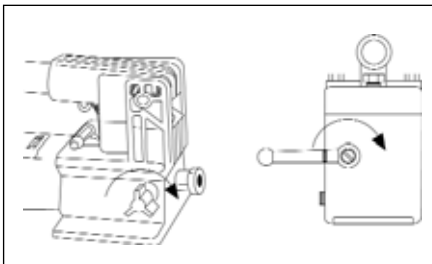


Figure 6



CAUTION: Close release valve finger tight ONLY. Using tools on release valve can damage it and cause the pump to malfunction.

2. Operate pump handle to deliver hydraulic power to system. Pressure will be maintained until release valve is opened.
3. Open release valve (turn counter-clockwise) to release pressure, allowing oil to flow back to the reservoir.

5.4 Single-Acting Applications with 3-Way, 2 Position Manual Valve

1. Shift valve handle to position 1 as shown in Figure 7.
2. Operate pump handle to deliver hydraulic power to the system. Pressure will be maintained until the valve is shifted.
3. To allow oil to return to the reservoir, shift valve handle to position 2.

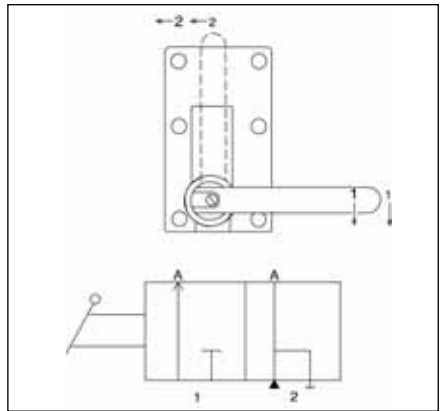


Figure 7

5.5 Double-Acting Applications with 4-Way, 3 Position Manual Valve

Pumps with 4-way control valves are designed to operate double-acting cylinders. See Figure 8 for valve positions.

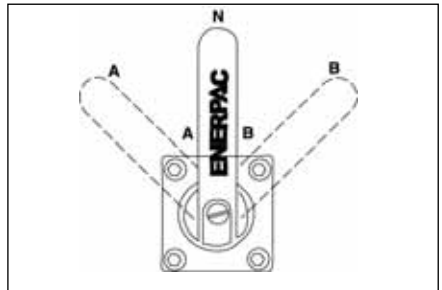


Figure 8a

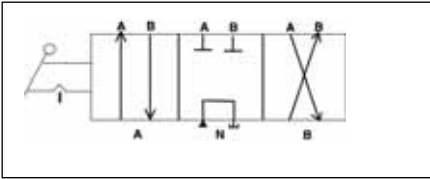


Figure 8b

1. Position lever on 4-way valve to select function as follows:
 (A) Flow to Port "A"; port "B" returns flow to the reservoir
 (N) Neutral; ports "A" and "B" are blocked
 (B) Flow to port "B"; port "A" returns flow to the reservoir

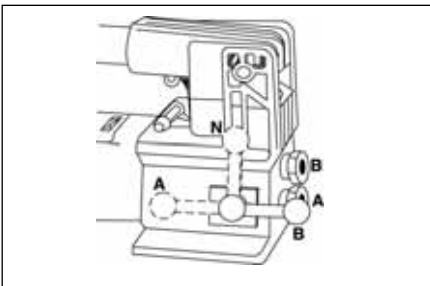


Figure 8c

2. Operate pump to perform work.
3. Change valve positions as needed.



WARNING: Operate double-acting cylinder only when both hoses are connected to the pump. If one coupler is left unconnected, high pressure will build behind the coupler which could cause personal injury and/or equipment damage.

5.6 Relief Valve Adjustment

All pumps contain a factory set relief valve to prevent over-pressurization of the system. Lower pressure settings can be obtained. Contact your Authorized Enerpac Service Center.

6.0 AIR REMOVAL

Removing air from the hydraulic system will help the cylinder to advance and retract smoothly (see figure 9).

6.1 Pump With Single-Acting Cylinder (A)

1. Vent pump reservoir (for vented pumps only) and close release valve.
2. Position pump at higher elevation than cylinder.
3. Position cylinder with the plunger end down (up if using pull cylinder). See Figure 9 below.
4. Operate pump to fully extend the cylinder (retract if using pull cylinder).
5. Open release valve to retract cylinder (extend if a pull cylinder). This will force the trapped air to move up to the pump reservoir.
6. Repeat the above steps as necessary.
7. Add oil if necessary. See page 7.
8. Return vent/fill cap to operating position.

6.2 Pump With Double-Acting Cylinder (B)

1. Vent pump reservoir (for vented pumps only).
2. Position pump at higher elevation than cylinder.
3. Put cylinder in horizontal position with ports up. See Figure 9.
4. Fully advance and retract the cylinder 2 to 3 times.
5. Repeat the above steps as necessary.
6. Add oil if necessary. See page 7.
7. Return vent/fill cap to operating position.

7.0 MAINTENANCE

Use only Enerpac hydraulic oil with these pumps to promote long pump life and to protect your warranty. Viton and EPR seal kits are available for some hand pumps. Contact your Enerpac representative for more information on these products and their applications.

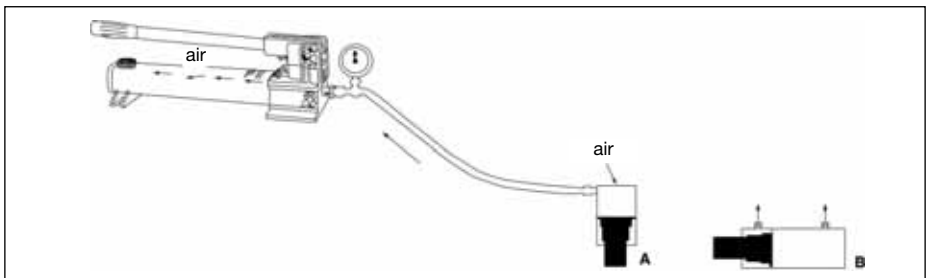


Figure 9

7.1 Adding Oil to the Pump

Check oil level regularly.



WARNING: Always add oil with cylinders fully retracted (extended if pull cylinders) or the system will contain more oil than the reservoir can hold.

1. Remove vent/fill cap from reservoir.
2. Fill reservoir only to level mark shown on pump.
3. Remove air from system if necessary. See page 6. Recheck oil level after removing air.
4. Return vent/fill cap to proper position.

NOTE: Non-vented hand pumps require air in the reservoir to function properly. If the reservoir is completely filled, a vacuum will form preventing oil from flowing out of the pump.

7.2 Keeping Oil Lines Clean

When coupler halves are disconnected, always screw on dust caps. Use every precaution to guard unit against entrance of dirt because foreign matter may cause pump, cylinder, or valve failure.

7.3 Lubricating the Pump

To extend pump life and improve performance, lubricate the beam pin (A), cross pin (B), and piston head (C) regularly, using roller bearing grease. See Figure 10.

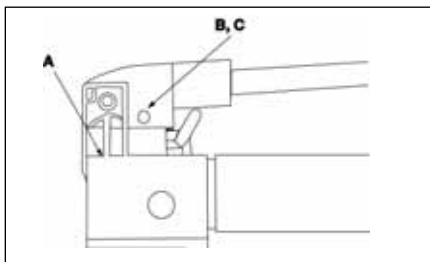


Figure 10

7.4 Changing the Oil

1. Drain all oil and refill with clean Enerpac oil every 12 months. If pump is used in dirty environments, change the oil more often.
2. Remove vent/fill cap or plug from reservoir.
3. Tilt pump to drain out old oil.
4. Fill reservoir only to level mark shown on pump.
5. Replace the vent/fill cap or plug.
6. Dispose of used oil properly.

8.0 TROUBLESHOOTING GUIDE

The following information is intended as an aid in determining if a problem exists. For repair service, contact the Authorized Enerpac Service Center in your area.

TROUBLESHOOTING		
Problem	Possible Cause	Solution
Cylinder does not advance, advances slowly, or advances in spurts.	<ol style="list-style-type: none"> 1. Oil level in pump reservoir is low. 2. Release valve open. 3. Loose hydraulic coupler. 4. Load is too heavy. 5. Air trapped in system. 6. Cylinder plunger binding. 	<ol style="list-style-type: none"> 1. Add oil according to the Maintenance instructions on page 6. 2. Close the release valve. 3. Check that all couplers are fully tightened. 4. Do not attempt to lift more than rated tonnage. 5. Remove air according to the instructions on page 6. 6. Check for damage to cylinder. Have cylinder serviced by a qualified hydraulic technician.
Cylinder advances, but does not hold pressure.	<ol style="list-style-type: none"> 1. Leaking connection. 2. Leaking seals. 3. Internal leakage in pump. 	<ol style="list-style-type: none"> 1. Check that all connections are tight and leak free. 2. Locate leak(s) and have equipment serviced by a qualified hydraulic technician. 3. Have pump serviced by a qualified hydraulic technician.
Cylinder does not retract, retracts part way, or retracts more slowly than normal.	<ol style="list-style-type: none"> 1. Release valve closed. 2. Pump reservoir is over-filled. 3. Loose hydraulic coupler. 4. Air trapped in system. 5. Hose I.D. too narrow. 6. Cylinder retraction spring broken or other cylinder damage. 	<ol style="list-style-type: none"> 1. Open release valve. 2. Drain oil level to full mark. See page 7 instructions for adding oil. 3. Check that all couplers are fully tightened. 4. Remove air according to the instructions on page 6. 5. Use larger diameter hydraulic hose. 6. Have cylinder serviced by a qualified hydraulic technician.

L1763 Rev I 03/09

Les vues éclatées de ce produit sont disponibles sur le site Enerpac www.enerpac.fr. Vous pouvez également les obtenir auprès de votre réparateur agréé Enerpac ou auprès d'Enerpac même.

1.0 INSTRUCTIONS IMPORTANTES RELATIVES À LA RÉCEPTION

Inspecter tous les composants pour vous assurer qu'ils n'ont subi aucun dommage en cours d'expédition. Les dommages subis en cours de transports ne sont pas couverts par la garantie. S'ils sont abîmés, aviser immédiatement le transporteur, qui est responsable des frais de réparation et de remplacement résultant de dommages en cours de transport.

LA SÉCURITÉ AVANT TOUT !

2.0 SÉCURITÉ



Lire attentivement toutes les instructions et mises en garde et tous les avertissements. Suivre toutes les précautions pour éviter d'encourir des blessures personnelles ou de provoquer des dégâts matériels durant le fonctionnement du système. Enerpac ne peut pas être tenue responsable de dommages ou blessures résultant de l'utilisation risquée du produit, d'un mauvais entretien ou d'une application incorrecte du produit et du système. En cas de doute sur les précautions ou les applications, contacter Enerpac.

Respecter les mises en garde et avertissements suivants sous peine de provoquer des dégâts matériels et des blessures corporelles.

Une mise en garde **ATTENTION** sert à indiquer des procédures d'utilisation et de maintenance correctes qui visent à empêcher l'endommagement voire la destruction du matériel ou d'autres dégâts.

Un **AVERTISSEMENT** indique un danger potentiel qui exige la prise de mesures particulières visant à écarter tout risque de blessure.

La mention **DANGER** n'est utilisée que lorsqu'une action ou un acte de négligence risque de causer des blessures graves, voire mortelles.



AVERTISSEMENT : Porter un équipement de protection personnelle adéquat pour utiliser un appareil hydraulique.



AVERTISSEMENT : Rester à l'écart de charges soutenues par un mécanisme hydraulique. Un vérin, lorsqu'il est utilisé comme monte-charge, ne doit jamais servir de support de charge. Après avoir monté ou abaissé la charge, elle doit être bloquée par un moyen mécanique.



AVERTISSEMENT : UTILISER SEULEMENT DES PIÈCES RIGIDES POUR SOUTENIR LES CHARGES.

Sélectionner avec précaution des blocs d'acier ou de bois capables de supporter la charge. Ne jamais utiliser un vérin hydraulique comme cale ou intercalaire d'appui pour les applications de levage ou de pressage.



DANGER : Pour écarter tout risque de blessure personnelle, maintenir les mains et les pieds à l'écart du vérin et de la pièce à usiner durant

l'utilisation.



AVERTISSEMENT : Ne pas dépasser les valeurs nominales du matériel. Ne jamais essayer de soulever une charge d'un poids supérieur à la capacité du vérin. Une surcharge entraînera la panne du matériel et risque de provoquer des blessures corporelles. Les vérins sont conçus pour une pression maximale de 700 bar. Ne pas connecter de cric ou de vérin à une pompe affichant une pression nominale supérieure.



DANGER: Ne jamais régler la soupape de sûreté à une pression supérieure à la pression nominale maximale de la pompe sous peine de provoquer des dégâts matériels et/ou des blessures corporelles. Ne pas retirer le limiteur de pression.



AVERTISSEMENT : La pression de fonctionnement du système ne doit pas dépasser la pression nominale du composant du système affichant la plus petite valeur. Installer des manomètres dans le système pour surveiller la pression de fonctionnement. Ils permettent de vérifier ce qui se passe dans le système.



ATTENTION : Éviter d'endommager les tuyaux hydrauliques. Éviter de les plier et de les tordre en les mettant en place. Un tuyau plié ou tordu entraînera un fort retour de pression. Les plis et coudes prononcés endommageront par ailleurs l'intérieur du tuyau, provoquant son usure précoce.



Ne pas faire tomber d'objets lourds sur le tuyau. Un fort impact risque de causer des dégâts intérieurs (torons métalliques). L'application d'une pression sur un tuyau endommagé risque d'entraîner sa rupture.



IMPORTANT : Ne pas soulever le matériel hydraulique en saisissant ses tuyaux ou ses raccords articulés. Utiliser la poignée de transport ou procéder d'une autre manière sûre.



ATTENTION : Garder le matériel hydraulique à l'écart de flammes et d'une source de chaleur. Une forte température amollira les garnitures et les joints et provoquera par conséquent des fuites. La chaleur affaiblira également les matériaux et les garnitures du tuyau. Pour une performance maximale, ne pas exposer le matériel à une température supérieure ou égale à 65 °C [150 °F]. Protéger tuyaux et vérins de projections de soudure.



DANGER : Ne pas manipuler les tuyaux sous pression. L'huile sous pression qui risque de s'en échapper peut pénétrer dans la peau et provoquer des blessures graves. En cas d'injection d'huile sous la peau, contacter immédiatement un médecin.



AVERTISSEMENT : Utiliser des vérins hydrauliques uniquement dans un système couplé. Ne jamais utiliser un vérin en présence de raccords déconnectés. La surcharge du vérin peut avoir des effets désastreux sur ses composants, qui peuvent causer des blessures graves.



AVERTISSEMENT : S'assurer de la stabilité de l'ensemble avant de lever une charge. Le vérin doit être placé sur une surface plane capable de supporter la charge.

Lorsqu'applicable, utiliser une base de vérin pour accroître la stabilité. Ne pas souder ou modifier le vérin de quelque façon que ce soit pour y fixer une base ou un autre dispositif de support.



Éviter les situations où les charges ne sont pas directement centrées sur le piston du vérin. Les charges décentrées imposent un effort considérable aux vérins et pistons. En outre, la charge risque de glisser ou de tomber, ce qui crée un potentiel de danger.



Répartir la charge uniformément sur toute la surface d'appui. Toujours utiliser un coussinet d'appui si des accessoires non filetés sont utilisés.



IMPORTANT : Le matériel hydraulique doit uniquement être réparé par un technicien hydraulique qualifié. Pour toute réparation, contacter le centre de réparation ENERPAC agréé le plus proche. Pour assurer la validité de la garantie, n'utiliser que de l'huile ENERPAC.



AVERTISSEMENT : Remplacer immédiatement les pièces usées ou endommagées par des pièces ENERPAC authentiques. Les pièces de qualité standard se casseront et provoqueront des blessures et des dégâts matériels. Les pièces ENERPAC sont conçues pour s'ajuster parfaitement et résister à de fortes charges.



PRÉCAUTION : Toujours porter la pompe par son levier. Si la pompe est portée par le flexible, le flexible ou la pompe risque d'en souffrir.

FICHE TECHNIQUE - Utiliser cette notice d'emploi pour les modèles de pompe à main suivants.

Fiche Technique

Modèle	Type (Vitesse)	Pression nominale max. psi [bar]		Volume d'huile par coup in ³ [cm ³]		Capacité d'huile utilisable in ³ [cm ³]
		1ère étape	2e étape	1ère étape	2e étape	
EHF-65	1	6,500 [440]		.16 [2.62]		22 [360]
P-18	1	2,850 [200]		.16 [2.62]		22 [360]
P-25	1	2,500 [170]		.58 [9.51]		231 [3786]
P-39, 1003	1	10,000 [700]		.16 [2.62]		43 [705]
P-50	1	5,000 [340]		.29 [4.75]		231 [3786]
P-51	1	3,000 [210]		.25 [4.09]		50 [820]
P-141, 1001	1	10,000 [700]		.055 [.90]		20 [328]
P-391, 1004	1	10,000 [700]		.151 [2.47]		55 [900]
		1ère étape	2e étape	1ère étape	2e étape	
P-80, 1006	2	350 [25]	10,000 [700]	.99 [16.23]	.15 [2.46]	140 [2295]
P-84	2	350 [25]	10,000 [700]	.99 [16.23]	.15 [2.46]	140 [2295]
P-142, 1002	2	200 [14]	10,000 [700]	.221 [3.62]	.055 [.90]	20 [328]
P-142AL	2	200 [14]	10,000 [700]	.221 [3.62]	.055 [.90]	9.0 [148]
P-202	2	200 [14]	10,000 [700]	.221 [3.62]	.055 [.90]	55 [900]
P-77	2	200 [14]	10,000 [700]	.63 [16.0]	.094 [2.41]	47 [769]
P-392, 1005	2	200 [14]	10,000 [700]	.687 [11.26]	.151 [2.47]	55 [900]
P-392AL	2	200 [14]	10,000 [700]	.687 [11.26]	.151 [2.47]	55 [900]
P-462	2	200 [14]	10,000 [700]	7.69 [126.00]	.29 [4.75]	462 [7572]
P-464	2	200 [14]	10,000 [700]	7.69 [126.00]	.29 [4.75]	462 [7572]
P-801	2	350 [25]	10,000 [700]	.99 [16.23]	.15 [2.46]	250 [4095]
P-802	2	400 [28]	10,000 [700]	2.40 [39.34]	.15 [2.46]	155 [2540]
P-842	2	400 [28]	10,000 [700]	2.40 [39.34]	.15 [2.46]	155 [2540]

3.0 DESCRIPTION

3.1 Modèles P-141, 1001/P-142, 1002/ P-202/P-391, 1004/P-392, 1005/P802, et P-842

La figure 1 et le tableau qui l'accompagne ci-dessous montrent les pièces principales des modèles de pompe à main P-141, P-142, P-202, P-391, P-392, P802, et P842. Le bouchon reniflard à deux fonctions (aération et remplissage) sert à dissiper la pression en cas de mise sous pression accidentelle du réservoir. Pour fournir un orifice d'accès à l'arrière du réservoir à l'intention des vannes à distance, utiliser un jeu de retour au réservoir. Le tableau ci-dessous donne les numéros de modèle des différents jeux.

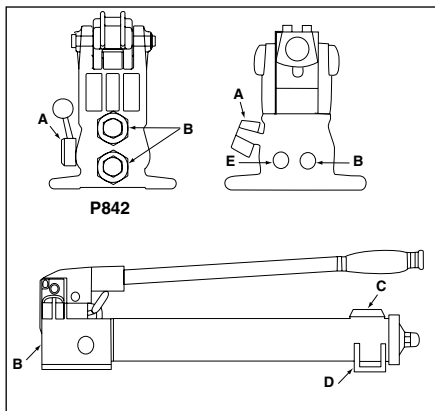


Figure 1

3.2 Modèles P-18/P39, 1003/P-80, 1006/ P-84/P-801, P-77

La figure 2 et le tableau correspondant montrent les pièces principales de ces modèles de pompe à main. Les modèles P-84 sont équipés d'un distributeur à 4 voies et 3 positions destiné aux vérins à double effet. Pour convertir les modèles P-18 ou P-39 pour l'utilisation au pied, commander le jeu PC-10.

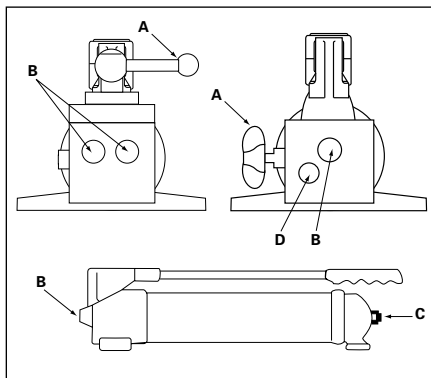


Figure 2



AVERTISSEMENT : Ces pompes fonctionnent avec un réservoir non aéré. Si le réservoir est soumis à une pression élevée, le carter risque d'éclater et de causer des blessures et (ou) des dégâts matériels. NE JAMAIS essayer de renvoyer au réservoir plus d'huile qu'il ne peut en contenir.

Tableau 1

Fig. 1	P-141, 1001	P-142, 1002	P-202	P-391, 1004	P-392, 1005	P-802	P-842
A	Robinet de décharge	Robinet de décharge	Robinet de décharge	Robinet de décharge	Robinet de décharge	Robinet de décharge	Distributeur 4 voies
B	Orifice de sortie 1/4 NPTF	Orifice de sortie 1/4 NPTF	Orifice de sortie 1/4 NPTF	Orifice de sortie 3/8 NPTF	Orifice de sortie 3/8 NPTF	Orifice de sortie 3/8 NPTF	Orifice de sortie 3/8 NPT
C	Bouchon reniflard	Bouchon reniflard	Bouchon reniflard	Bouchon reniflard	Bouchon reniflard	Bouchon reniflard	Bouchon reniflard
D	Encoches de montage	Encoches de montage	—	—	—	Encoches de montage	Encoches de montage
E	—	—	—	—	—	Orifice de retour au réservoir	—
Jeu de retour au réservoir	PC-20	PC-20	PC-25	PC-25	PC-25	—	—

Tableau 2

Fig. 2	P-18	P-39, 1003	P-77	P-80, 1006	P-84	P-801
A	Robinet de décharge	Robinet de décharge	Robinet de décharge	Robinet de décharge	Distributeur 4 voies 3 positions	Robinet de décharge
B	Orifice de sortie 3/8 NPTF	Orifice de sortie 3/8 NPTF	Orifice de sortie 3/8 NPTF	Orifice de sortie 3/8 NPTF	Orifice de sortie 3/8 NPTF	Orifice de sortie 3/8 NPTF
C	Bouchon de remplissage	Bouchon de remplissage	Bouchon de remplissage	Bouchon de remplissage	Bouchon de remplissage	Bouchon de remplissage
D	—	—	—	Orifice de retour au réservoir 1/4 NPTF	—	Orifice de retour au réservoir 1/4 NPTF

3.3 Modèles P-462 et P-464

La figure 3 et le tableau ci-dessous montrent les éléments principaux des modèles de pompe à main P-462, pour vérins à simple effet, et P-464, pour vérins à double effet.

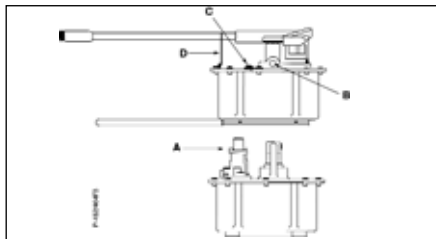


Figure 3, P-462 ry P-464

Tableau 3		
Fig. 3	P-462	P-464
A	Distributeur 3 voies 2 positions	Distributeur 4 voies 3 positions
B	Orifice de sortie 3/8 NPTF	Orifice de sortie 3/8 NPTF
C	Bouchon reniflard	Bouchon reniflard
D	Attache-levier	Attache-levier

3.4 Modèles P-25, P-50 et P-51

La figure 4 illustre les modèles de pompe à main P-25 et P-50, lesquels sont tous deux équipés d'un levier fonctionnant dans les deux sens. La figure 5 représente la pompe à main P 51. Les éléments principaux de ces pompes sont indiqués dans le tableau ci-dessus.

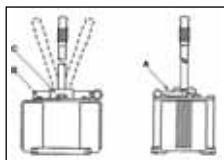


Fig. 4, Modèles P-25 and P-50

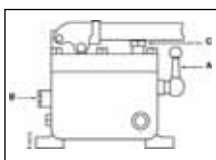


Fig. 5, Modèle P-51

Tableau 4 et 5			
Fig. 4, 5	P-25	P-50	P-51
A	Robinet de décharge	Robinet de décharge	Robinet de décharge
B	Orifice de sortie 3/8 NPTF	Orifice de sorti 3/8 NPTF	Orifice de sorti 3/8 NPTF
C	Bouchon reniflard	Bouchon reniflard	Bouchon reniflard

4.0 INSTALLATION

4.1 Raccordement de la pompe

1. Visser le flexible dans l'orifice de la pompe. Entourer le raccord de flexible de 1 1/2 tour de ruban Téflon (ou utiliser un matériau d'étanchéité qui convient), en ne couvrant pas le premier filet afin d'éviter que des lambeaux de ruban pénètrent dans le circuit hydraulique et causent des dégâts. Couper les parties qui dépassent.

2. Par mesure de prudence et pour permettre de surveiller la pression plus aisément, poser un manomètre sur la conduite sortant de la pompe.
3. Raccorder le ou les flexibles au vérin ou outil.

NOTE : Dans le cas des vérins à simple effet, brancher un flexible entre la pompe et le vérin. Pour les vérins à double effet, raccorder deux flexibles. Connecter un flexible entre l'orifice de pression de la pompe et l'orifice de pression du vérin. Brancher l'autre entre l'orifice de rentrée de la pompe et l'orifice de rentrée du vérin.

4.2 Aération de la pompe

Le tableau ci-dessous permet de déterminer si la pompe doit être utilisée avec un réservoir équipé de mise à l'air ou non. Les pompes équipées de réservoir avec mise à l'air ont généralement de meilleures performances. Pour les pompes avec réservoir nylon, tourner le bouchon de mise à l'air de 90° dans le sens inverse des aiguilles d'une montre. Pour les autres modèles voir les instructions sur l'autocollant. Toujours fermer la mise à l'air avant de transporter la pompe.

La mise à l'air du réservoir sur les pompes P-80, P-801 et P84 s'effectue par l'ouverture du bouchon dans le sens inverse des aiguilles d'une montre. Pour refermer la mise à l'air, tourner la valve dans le sens des aiguilles d'une montre.

OPTIONS D'AÉRATION	
EHF-65 non aéré	P-202 sans importance
P-18 non aéré	P-391, 1004 . . sans importance
P-25 sans importance	P-77 aéré
P-39, 1003 . . . non aéré	P-392, 1005 . . sans importance
P-50 sans importance	P-392AL aéré
P-51 aéré	P-462 aéré
P-80, 1006 . . . sans importance	P-464 aéré
P-84 sans importance	P-801 non aéré
P-141, 1001 . . sans importance	P-802 sans importance
P-142, 1002 . . sans importance	P-842 sans importance
P-142AL non aéré	

4.3 Position de la Pompe

Voir le tableau ci-dessous pour déterminer la position de service correcte pour (horizontale ou verticale). La mise à l'air du réservoir sur les pompes P80-P801 et P84 est impossible quand la pompe est à la verticale.

POSITION DE SERVICE	
EHF-65 sans importance	P-202 sans importance
P-18 sans importance	P-391, 1004 . . sans importance
P-25 horizontale seulement	P-77 sans importance
P-39, 1003 . . . sans importance	P-392, 1005 . . sans importance
P-50 horizontale seulement	P-392AL sans importance
P-51 horizontale seulement	P-462 horizontale seulement
P-80, 1006 . . . sans importance	P-464 horizontale seulement
P-84 sans importance	P-801 sans importance
P-141, 1001 . . sans importance	P-802 sans importance
P-142, 1002 . . sans importance	P-842 sans importance
P-142AL sans importance	

NOTE : Quand la pompe est utilisée en position verticale, le côté flexible doit être dirigé vers le bas sinon la pompe risque d'attirer de l'air et de ne pas donner la pression qui convient.

5.0 FONCTIONNEMENT

5.1 Avant d'utiliser la pompe

1. Vérifier tous les raccords et toutes les connexions du circuit pour s'assurer de leur intégrité et leur étanchéité.
2. Vérifier le niveau d'huile dans le réservoir avant de faire fonctionner la pompe. Voir "Appoint d'huile dans la pompe", page 14.



PRÉCAUTION : NE JAMAIS ajouter de rallonges au levier de la pompe, sous peine de déstabiliser le fonctionnement de la pompe.



AVERTISSEMENT : Il peut arriver que le levier de la pompe revienne brusquement en arrière. Toujours se tenir sur le côté de la pompe, hors de portée du levier.

NOTE : Pour réduire l'effort à exercer sur le levier aux pressions élevées, pomper par petits coups. L'effet de levier maximum est obtenu dans les cinq derniers degrés de la course du levier.

5.2 Utilisation des pompes à deux vitesses

Ces pompes fournissent un débit en deux étapes. À vide, la pompe fonctionne en première étape à débit élevé pour assurer une sortie rapide du vérin. Quand il y a contact avec la charge, la pompe passe automatiquement à la deuxième étape afin de donner de la pression. **Dans le cas des modèles P-462 ou P-464**, lorsque la pression de la pompe est de l'ordre de 200 psi [14 bar], il faut s'arrêter de pomper momentanément et relever le levier pour passer à l'étape haute pression. **Dans le cas des modèles P-802 ou P-842**, lorsque la pression de la pompe est de l'ordre de 400 psi [28 bar], il faut s'arrêter de pomper momentanément et relever le levier pour passer à l'étape haute pression. Après ce changement d'étapes, la pompe s'actionne avec moins d'effort.

NOTE : Pour optimiser les performances, actionner le levier de la pompe à vitesse modérée durant la première étape à débit élevé. Si l'on pompe trop vite dans la première étape, le volume d'huile fourni ne sera pas suffisant.

5.3 Applications à simple effet avec robinet de décharge

1. Fermer le robinet de décharge en le tournant vers la droite, comme l'illustre la figure 6.

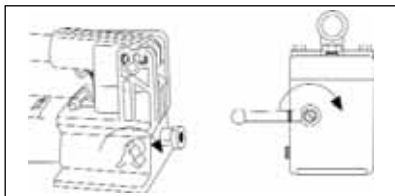


Figure 6



PRÉCAUTION : Serrer le robinet de décharge à la main **UNIQUEMENT**. L'emploi d'outils sur le robinet de décharge peut l'endommager et risque de causer un mauvais fonctionnement de la pompe.

2. Actionner le levier de la pompe afin d'alimenter le circuit en puissance hydraulique. La pression est maintenue jusqu'à ce que le robinet de décharge soit ouvert.
3. Ouvrir le robinet de décharge (en le tournant vers la gauche) pour dissiper la pression, ce qui permet le retour de l'huile vers le réservoir.

5.4 Applications à simple effet avec distributeur manuel à 3 voies et 2 positions

1. Placer la manette du distributeur en position 1, comme le montre la figure 7.
2. Actionner le levier de la pompe afin d'alimenter le circuit en puissance hydraulique. La pression est maintenue jusqu'à ce que le distributeur change de position.
3. Pour laisser l'huile revenir au réservoir, placer la manette du distributeur en position 2.

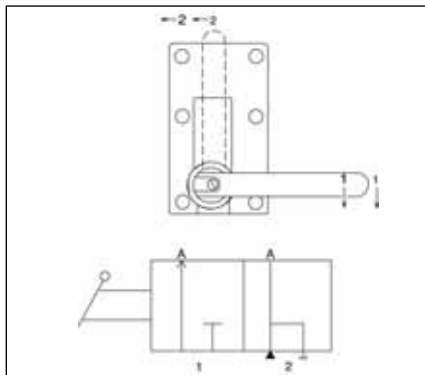


Figure 7

5.5 Applications à double effet avec distributeur manuel à 4 voies et 3 positions

Les pompes équipées de distributeurs à 4 voies sont conçues pour faire fonctionner des vérins à double effet. La figure 8, illustre les positions du distributeur.

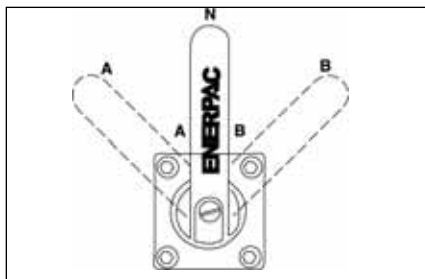


Figure 8a

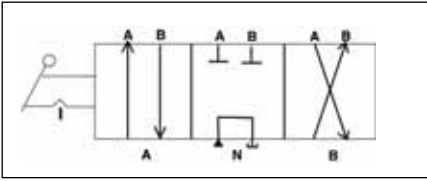


Figure 8b

- Positionner la manette du distributeur à 4 voies selon la fonction désirée :
 - Débit vers l'orifice "A" ; retour depuis l'orifice "B" vers le réservoir
 - Neutre ; orifices "A" et "B" bouchés
 - Débit vers l'orifice "B", retour depuis l'orifice "A" vers le réservoir

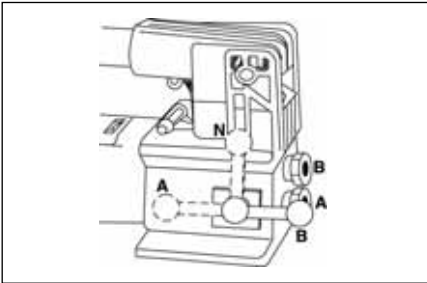


Figure 8c

- Actionner la pompe selon le service désiré.
- Changer le distributeur de position quand cela s'avère nécessaire.



AVERTISSEMENT : Ne faire fonctionner un vérin à double effet que lorsque les deux flexibles sont connectés à la pompe. Si un raccord est laissé débranché, une pression élevée risque de se constituer derrière le raccord, d'où risques de blessures et (ou) de dégâts matériels.

5.6 Réglage du robinet de décharge

Toutes les pompes sont munies d'un robinet de décharge réglé en usine qui permet d'empêcher le circuit de se pressuriser plus que nécessaire. Il est possible de régler ce robinet sur une pression moins

élevée. Contacter le Service après-vente agréé Enerpac le plus proche.

6.0 PURGE DE L'AIR

L'élimination de l'air du circuit hydraulique aide le vérin à sortir et rentrer en douceur. Voir figure 9.

6.1 Pompe associée à un vérin à simple effet (A)

- Aérer le réservoir de la pompe (pompes aérées uniquement) et fermer le robinet de décharge.
- Positionner la pompe plus haut que le vérin.
- Positionner le vérin côté piston vers le bas (ou le haut s'il s'agit d'un vérin à traction). Voir figure 9.
- Actionner la pompe pour faire sortir le vérin jusqu'au bout (le faire rentrer s'il s'agit d'un vérin à traction).
- Ouvrir le robinet de décharge pour faire rentrer le vérin (le faire sortir s'il s'agit d'un vérin à traction). L'air piégé est ainsi forcé à remonter vers le réservoir de la pompe.
- Répéter les opérations ci-dessus, au besoin.
- Ajouter de l'huile si nécessaire. Voir page 14.
- Remettre le reniflard en position de service.

6.2 Pompe associée à un vérin à double effet (B)

- Aérer le réservoir de la pompe (pompes aérées uniquement).
- Positionner la pompe plus haut que le vérin.
- Positionner le vérin en position horizontale, orifices vers le haut. Voir figure 9 ci-dessous.
- Faire sortir et rentrer le vérin jusqu'au bout, deux ou trois fois.
- Répéter les opérations ci-dessus, au besoin.
- Ajouter de l'huile si nécessaire. Voir page 14.
- Remettre le bouchon reniflard en position de service.

7.0 ENTRETIEN

Utiliser uniquement de l'huile hydraulique Enerpac avec ces pompes afin d'en prolonger la durée de vie et de protéger la validité de la garantie. Des jeux d'étanchéité Viton et EPR peuvent être fournis pour certaines pompes à main. Demander plus d'informations sur ces produits et leurs applications au représentant Enerpac.

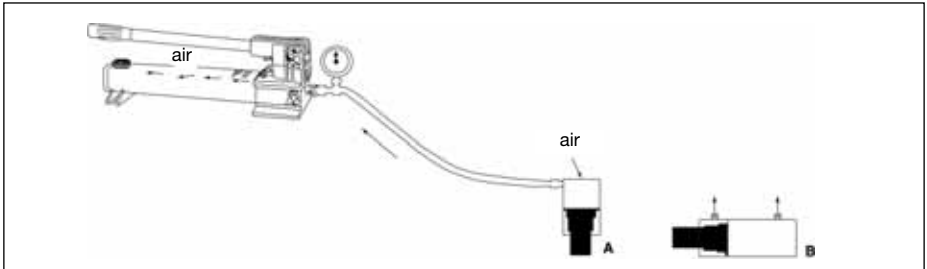


Figure 9

7.1 Appoint d'huile à la pompe

Vérifier régulièrement le niveau d'huile.



AVERTISSEMENT : Les vérins doivent être complètement rentrés (ou sortis si vérins de traction) quand l'huile est ajoutée, sinon le circuit risque de renfermer plus d'huile que le réservoir ne peut en contenir.

1. Retirer le bouchon reniflard du réservoir.
2. Remplir le réservoir en s'arrêtant au repère marqué sur la pompe.
3. Éliminer l'air du circuit si nécessaire. Voir page 13. Révérifier le niveau d'huile après cette opération.
4. Remettre le bouchon reniflard sur la position qui convient.

NOTE : Les pompes à main non aérées ont besoin d'air dans le réservoir pour fonctionner correctement. Si le réservoir est rempli à ras bord, un effet de vide se crée empêchant l'huile de sortir de la pompe.

7.2 Protection des conduites d'huile contre les saletés

Quand les deux moitiés d'un raccord sont séparées, toujours protéger les ouvertures par des capuchons anti-poussière. Prendre toutes les mesures nécessaires pour protéger l'appareil contre la pénétration de saletés, car les corps étrangers peuvent provoquer une défaillance au niveau de la pompe, du vérin ou des soupapes.

7.3 Lubrification de la pompe

Pour prolonger la durée de vie de la pompe et en améliorer les performances, lubrifier l'axe du balancier (A), l'axe transversal (B) et la tête de piston

(C) régulièrement en utilisant de la graisse pour roulements à rouleaux. Voir figure 10

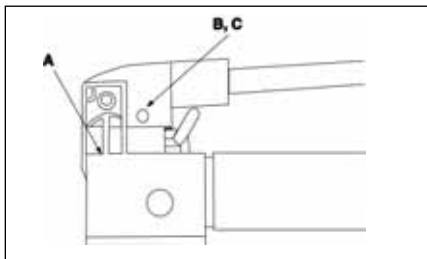


Figure 10

7.4 Vidange d'huile

1. Vider toute l'huile et faire le plein d'huile Enerpac propre tous les 12 mois. Si la pompe est utilisée dans des conditions de grande saleté, changer l'huile plus souvent.
2. Retirer le bouchon reniflard ou le bouchon de remplissage du réservoir.
3. Pencher la pompe pour faire partir toute l'huile usée.
4. Remplir le réservoir en s'arrêtant au repère marqué sur la pompe.
5. Remettre le bouchon reniflard ou de remplissage.
6. Jeter l'huile usée selon les méthodes appropriées.

8.0 GUIDE DE DÉPANNAGE

Les informations qui suivent sont à utiliser à titre de guide pour déterminer l'existence d'un problème. Pour les réparations, contacter le Service après-vente agréé Enerpac le plus proche.

GUIDE DE DÉPANNAGE		
Problème	Cause possible	Solution
Le vérin ne sort pas, sort lentement ou sort par à-coups.	<ol style="list-style-type: none"> 1. Niveau d'huile insuffisant dans le réservoir de la pompe. 2. Robinet de décharge ouvert. 3. Raccord hydraulique desserré. 4. Charge trop importante. 5. Air piégé dans le circuit. 6. Piston du vérin coince. 	<ol style="list-style-type: none"> 1. Ajouter de l'huile suivant les instructions d'entretien de la page 14. 2. Fermer le robinet de décharge. 3. Vérifier que tous les raccords sont bien serrés. 4. Ne pas tenter de soulever plus que la charge nominale. 5. Éliminer l'air suivant les instructions de la page 13. 6. Vérifier l'état du vérin. Faire réparer le vérin par un technicien qualifié en hydraulique.
Le vérin sort mais ne maintient pas la pression.	<ol style="list-style-type: none"> 1. Fuite aux connexions. 2. Fuite aux joints. 3. Fuite interne dans la pompe. 	<ol style="list-style-type: none"> 1. Vérifier l'intégrité et l'étanchéité de toutes les connexions. 2. Localiser la ou les fuites et faire réparer le matériel par un technicien qualifié en hydraulique. 3. Faire réparer la pompe par un technicien qualifié en hydraulique.
Le vérin ne rentre pas, rentre partiellement ou rentre plus lentement qu'il ne devrait.	<ol style="list-style-type: none"> 1. Robinet de décharge fermé. 2. Réservoir de la pompe trop rempli. 3. Raccord hydraulique desserré. 4. Air piégé dans le circuit. 5. Diamètre intérieur du flexible trop petit. 6. Ressort de rappel du vérin cassé ou autre problème de vérin. 	<ol style="list-style-type: none"> 1. Ouvrir le robinet de décharge. 2. Vider de l'huile pour redescendre au repère plein. Instructions pour l'appoint d'huile à la page 14. 3. Vérifier que tous les raccords sont bien serrés. 4. Éliminer l'air suivant les instructions de la page 13. 5. Utiliser un flexible hydraulique à plus grand diamètre. 6. Faire réparer le vérin par un technicien qualifié en hydraulique.

L1763 Rev I 03/09

Das Ersatzteilblatt für dieses Produkt finden Sie auf der Enerpac Website www.enerpac.com, oder bei Ihrem nächstgelegenen autorisierten Enerpac Service Center oder einem Enerpac Vertriebsbüro.

1.0 WICHTIGE VERFAHRENSHINWEISE FÜR DEN EMPFANG:

Alle Komponenten auf sichtbare Transportschäden inspizieren. Transportschäden sind **nicht** von der Garantie gedeckt. Werden solche Schäden festgestellt, ist unverzüglich das Transportunternehmen zu verständigen. Das Transportunternehmen ist für alle Reparatur- und Ersatzkosten, die auf Transportschäden zurückzuführen sind, verantwortlich.

SICHERHEIT GEHT VOR

2.0 SICHERHEITSFRAGEN



Alle Anleitungen, Warnungen und Vorsichtshinweise sorgfältig durchlesen. Beachten Sie alle Sicherheitsvorkehrungen, um Verletzungen oder Sachschäden während des Systembetriebs zu vermeiden. Enerpac ist weder für Schäden noch Verletzungen haftbar, die durch einen fahrlässigen Gebrauch des Produkts, mangelhafte Instandhaltung oder eine unvorschriftsmäßige Anwendung des Produkts und/oder des Systems verursacht werden. Bei evtl. Fragen in bezug auf Sicherheitsvorkehrungen und Betriebsabläufe wenden Sie sich bitte an ENERPAC. Wenn Sie an keinerlei Sicherheitsschulungen im Zusammenhang mit Hochdruck-hydraulikanlagen teilgenommen haben, fordern Sie von Ihrer Vertriebs- und Kundendienstzentrale einen kostenlosen Enerpac-Hydraulik-Sicherheitskurs an.

Ein Mißachten der folgenden Vorsichtshinweise und Warnungen kann zu Geräteschäden und Verletzungen führen.

Mit einem **VORSICHTSHINWEIS** wird auf ordnungsgemäße Betriebs- oder Wartungsverfahren und -praktiken hingewiesen, um Schäden an den Geräten oder anderen Sachwerten bzw. deren Zerstörung zu vermeiden.

Eine **WARNUNG** verweist auf eine potentielle Verletzungsgefahr, die durch ordnungsgemäße Verfahren oder Praktiken vermieden werden kann.

Ein **GEFAHRENSHINWEIS** wird nur dann gegeben, wenn eine bestimmte Handlung oder die Unterlassung einer bestimmten Handlung schwere oder tödliche Verletzungen zur Folge haben kann.



WARNUNG: Beim Betrieb hydraulischer Anlagen geeignete Schutzkleidung und -ausrüstung tragen.



WARNUNG: Von Lasten fernhalten, die durch ein Hydrauliksystem abgestützt werden. Ein als Lastenhebegerät eingesetzter Zylinder darf niemals als ein Lastenhaltegerät verwendet werden. Nach Heben oder Senken der Last muß diese stets auf mechanische Weise gesichert werden.



WARNUNG ZUM SICHERN VON LASTEN STETS NUR STARRE TEILE VERWENDEN. Zum Abstützen von Lasten sorgfältig dazu geeignete Stahl- oder Holzblöcke auswählen. Bei Hebe- oder Drückanwendungen keinesfalls einen Hydraulikzylinder als Abstandsstück oder -halter verwenden.



GEFAHR: Zur Vermeidung von Verletzungen während des Betriebs Hände und Füße von Zylinder und Werkstück fernhalten.



WARNUNG: Die zugelassene Nennleistung der Geräte nicht überschreiten. Keine Last zu heben versuchen, deren Gewicht das Hebevermögen des Zylinders übersteigt. Überlasten verursachen Maschinenausfälle und können zu Verletzungen führen. Die Zylinder wurden für einen max. Druck von 700 bar konstruiert. Keinen Heber oder Zylinder an eine Pumpe mit einer höheren nominalen Druckleistung anschließen.



GEFAHRENSHINWEIS: Das Überdruckventil **keinesfalls** auf einen höheren Druck als den maximal zulässigen Druck der Pumpe einstellen. Höhere Einstellungen können zu Geräteschäden und/oder Verletzungen führen. Nicht das Druckbegrenzungs-Ventil entfernen!



WARNUNG: Der Systembetriebsdruck darf den zulässigen Nominaldruck der Systemkomponente mit der niedrigsten Nennleistung nicht überschreiten. Zur

Überwachung des Betriebsdrucks sind Manometer im System zu installieren. Dies ist das Fenster zu den Abläufen im System.



VORSICHT: Beschädigungen am Hydraulikschlauch vermeiden. Beim Verlegen der Hydraulik-schläuche enge Bögen und Abknicken vermeiden. Der Einsatz eines gebogenen oder geknickten Schlauchs führt zu einem hohen Rückstau. Starke Biegungen und Knickstellen schädigen den Schlauch auf der Innenseite und führen zu dessen vorzeitigem Ausfall.



Keine schweren Gegenstände auf den Schlauch fallen lassen. Starke Erschütterungen können Schäden an den im Schlauchinnern verlaufenden Drahtlitzen verursachen. Ein Schlauch, auf den Druck ausgeübt wird, kann bersten.



WICHTIG: Hydraulische Geräte weder an den Schläuchen noch den Gelenkanschlüssen anheben. Dazu den Tragegriff oder eine andere sichere Transportmethode verwenden.



VORSICHT: Hydraulische Geräte von Flammen und Hitzequellen fernhalten. Zu hohe Temperaturen weichen Füllungen und Dichtungen auf und bewirken Flüssigkeitslecks. Große Hitze schwächt außerdem die Schlauchmaterialien und -dichtungen. Zur Gewährleistung einer optimalen Leistung darf die Anlage keinen Temperaturen über 65°C ausgesetzt werden. Außerdem müssen Schläuche und Zylinder beim Schweißen vor Funkenschlag geschützt werden.



GEFAHR: Nicht mit unter Druck stehenden Schläuchen hantieren. Unter Druck austretendes Öl kann in die Haut eindringen und schwere Verletzungen verursachen. Falls Öl unter die Haut gelangt, ist sofort ein Arzt aufzusuchen.



WARNUNG: In einem gekoppelten System dürfen nur Hydraulikzylinder verwendet werden. Niemals einen Zylinder mit unverbundenen Kupplungen verwenden. Bei einer extremen Überlastung des Zylinders können dessen Komponenten einen Sprungvollaussfall erleiden, was schwere Verletzungen hervorrufen kann.



WARNUNG: Sicherstellen, dass die anlage stabilisiert, bevor eine last angehoben wird. Der Zylinder sollte auf einer ebenen Oberfläche aufsitzen, die fest genug ist, um die Last abzustützen. Wenn möglich einen Zylinderfuß verwenden, um größere Stabilität zu gewährleisten. Keine Schweißarbeiten oder andere Änderungen am Zylinder vornehmen, um einen Zylinderfuß oder andere Abstützungen anzubringen.



Situationen vermeiden, in denen die Lasten nicht direkt über dem Kolben des Zylinders ausgerichtet sind. Seitlich versetzte Lasten führen zu erheblicher Belastung der Zylinder und Kolben. Außerdem könnte die Last ins Rutschen geraten oder fallen, was zu äußerst gefährlichen Situationen führen kann.



Die Last gleichmäßig über die gesamte Fläche des Druckstückes verteilen. Den Kolben immer mit einem Druckstück schützen, wenn keine Zusatzgeräte mit Gewinde benutzt werden.



WICHTIG: Hydraulische Geräte müssen von einem qualifizierten Hydrauliktechniker gewartet werden. Bei Reparaturarbeiten an die autorisierte ENERPAC-Kundendienstzentrale der jeweiligen Region wenden. Zur Aufrechterhaltung der Garantie nur ENERPAC-Öl verwenden.

TECHNISCHE DATEN - Diese Bedienungsanleitung ist für die nachstehenden Handpumpen-Modelle zu benutzen.						
Technische Daten						
Modell	Typ (Druckstufen)	Maximaler Nenndruck psi [bar]		Ölvolumen per Hub in ³ [cm ³]		Nutzbare Öltank Fassungsvermögen in ³ [cm ³]
EHF-65	1	6,500 [440]		.16 [2.62]		22 [360]
P-18	1	2,850 [200]		.16 [2.62]		22 [360]
P-25	1	2,500 [170]		.58 [9.51]		231 [3786]
P-39, 1003	1	10,000 [700]		.16 [2.62]		43 [705]
P-50	1	5,000 [340]		.29 [4.75]		231 [3786]
P-51	1	3,000 [210]		.25 [4.09]		50 [820]
P-141, 1001	1	10,000 [700]		.055 [1.90]		20 [328]
P-391, 1004	1	10,000 [700]		.151 [2.47]		55 [900]
		Stufe 1	Stufe 2	Stufe 1	Stufe 2	
P-80, 1006	2	350 [25]	10,000 [700]	.99 [16.23]	.15 [2.46]	140 [2295]
P-84	2	350 [25]	10,000 [700]	.99 [16.23]	.15 [2.46]	140 [2295]
P-142, 1002	2	200 [14]	10,000 [700]	.221 [3.62]	.055 [1.90]	20 [328]
P-142AL	2	200 [14]	10,000 [700]	.221 [3.62]	.055 [1.90]	9.0 [148]
P-202	2	200 [14]	10,000 [700]	.221 [3.62]	.055 [1.90]	55 [900]
P-77	2	200 [14]	10,000 [700]	.63 [16.0]	.094 [2.41]	47 [769]
P-392, 1005	2	200 [14]	10,000 [700]	.687 [11.26]	.151 [2.47]	55 [900]
P-392AL	2	200 [14]	10,000 [700]	.687 [11.26]	.151 [2.47]	55 [900]
P-462	2	200 [14]	10,000 [700]	7.69 [126.00]	.29 [4.75]	462 [7572]
P-464	2	200 [14]	10,000 [700]	7.69 [126.00]	.29 [4.75]	462 [7572]
P-801	2	350 [25]	10,000 [700]	.99 [16.23]	.15 [2.46]	250 [4095]
P-802	2	400 [28]	10,000 [700]	2.40 [39.34]	.15 [2.46]	155 [2540]
P-842	2	400 [28]	10,000 [700]	2.40 [39.34]	.15 [2.46]	155 [2540]



WARNUNG: Abgenutzte oder beschädigte Teile unverzüglich durch ENERPAC-Originalteile ersetzen. Standardteile anderer Hersteller versagen und verursachen Verletzungen und Sachschäden. ENERPAC-Teile werden so konstruiert, daß sie richtig passen und hohen Lasten standhalten.



VORSICHT: Benutzen Sie zum Tragen der Pumpe stets den Griff. Wird die Pumpe beim Tragen am Schlauch gehalten, kann der Schlauch und/oder die Pumpe beschädigt werden.

3.0 BESCHREIBUNG

3.1 Modelle P-141, 1001/P-142, 1002/P-202/P-391, 1004/P-392, 1005/P-802, und P-842

In Abbildung 1 und in der dazugehörigen nachstehenden Tabelle werden die Hauptkomponenten der Handpumpen-Modelle P-141, P-142, P-202, P-391, P-392, P-802 und P-842 gezeigt. Der Verschlußdeckel des Entlüftungs-/Einfüllstutzens dient bei unvorhergesehenem Druckaufbau im Tank als Sicherheitsventil. Um eine Zugangsöffnung für externe Ventile im hinteren Teil des Tanks bereitzustellen, wird ein Tankrücklauf-Satz benutzt. Siehe nachstehende Tabelle für Modellnummern des Satzes.

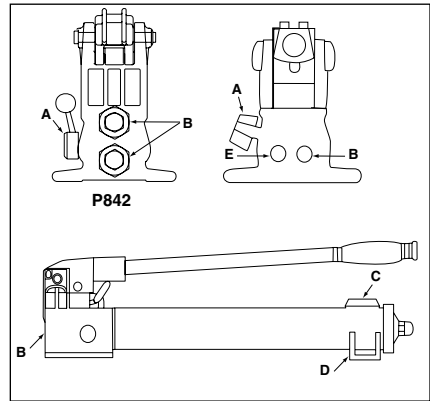


Abbildung 1

3.2 Modelle P-18/P-39, 1003/P-80, 1006/P-84/P-801, P-77

In Abbildung 2 und in der dazugehörigen nachstehenden Tabelle werden die Hauptkomponenten dieser Handpumpen-Modelle gezeigt. P-84 Modelle sind mit einem 4-Wege-Ventil mit drei Stellungen ausgestattet, das für den Betrieb mit doppeltwirkenden Zylindern vorgesehen ist. Zum Umbau der Modelle P-18 oder P-39 auf Fußhebelbedienung bestellen Sie den Satz PC-10.

Tabelle 1							
Abbildung 1	P-141, 1001	P-142, 1002	P-202	P-391, 1004	P-392, 1005	P-802	P-842
A	Ablassventil	Ablassventil	Ablassventil	Ablassventil	Ablassventil	Ablassventil	4-Wege-Ventil
B	1/4 NPTF Ölschluß	1/4 NPTF Ölschluß	1/4 NPTF Ölschluß	3/8 NPTF Ölschluß	3/8 NPTF Ölschluß	3/8 NPTF Ölschluß	3/8 NPTF Ölschluß
C	Entlüft.-/Einfülldeckel	Entlüft.-/Einfülldeckel	Entlüft.-/Einfülldeckel	Entlüft.-/Einfülldeckel	Entlüft.-/Einfülldeckel	Entlüft.-/Einfülldeckel	Entlüft.-/Einfülldeckel
D	Montage schlitze	Montage schlitze	—	—	—	Montage schlitze	Montage schlitze
E	—	—	—	—	—	Tankrücklauf-öffnung	—
Tankrücklauf Satz	PC-20	PC-20	PC-25	PC-25	PC-25	—	—

Tabelle 2						
Abbildung 2	P-18	P-39, 1003	P-77	P-80, 1006	P-84	P-801
A	Ablassventil	Ablassventil	Ablassventil	Ablassventil 3 Stellungen	4-Wege-Ventil	Ablassventil
B	3/8 NPTF Ölschluß	3/8 NPTF Ölschluß	3/8 NPTF Ölschluß	3/8 NPTF Ölschluß	3/8 NPTF Ölschluß	3/8 NPTF Ölschluß
C	Öleinfüllstutzen	Öleinfüllstutzen	Öleinfüllstutzen	Öleinfüllstutzen	Öleinfüllstutzen	Öleinfüllstutzen
D	—	—	—	1/4 NPTF Tankrücklauf-öffnung	—	1/4 NPTF Tankrücklauf-öffnung

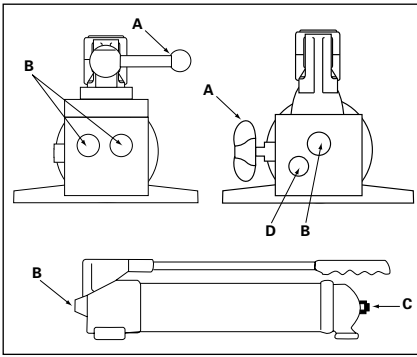


Abbildung 2



ACHTUNG: Diese Pumpen werden mit einem nicht entlüfteten Tank betrieben. Falls der Tank hohem Druck ausgesetzt wird, kann das Gehäuse brechen. Verletzungen und/oder Schäden können die Folge sein. NIEMALS versuchen, mehr Öl in den Tank zurückzuleiten, als dieser fassen kann.

3.3 Modelle P-462 und P-464

In Abbildung 3 aufund in der nachstehenden Tabelle werden die Hauptleistungsmerkmale der Handpumpen-Modelle P-462, für den Betrieb mit einfachwirkenden Zylindern, und P-464, für doppelwirkende Zylinder, gezeigt.

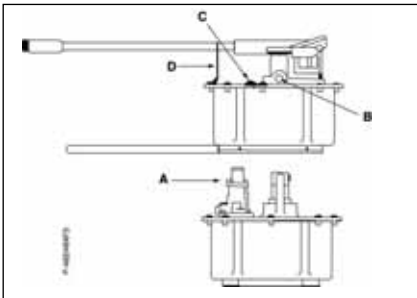


Abbildung 3, Modelle P-462 und P-464

Tabelle 3		
Abbildung 3	P-462	P-464
A	3-Wege-Ventil, 2 Stellungen	4-Wege-Ventil, 3 Stellungen
B	3/8 NPTF Ölanschluß	3/8 NPTF Ölanschluß
C	Entlüft./Einfüllstutzen	Entlüft./Einfüllstutzen
D	Griffklemme	Griffklemme

3.4 Modelle P-25, P-50, und P-51

In Abbildung 4 werden die Handpumpen-Modelle P-25 und P-50 gezeigt, die beide mit einem Griff ausgestattet sind, der in zwei Richtungen arbeitet. Abbildung 5 zeigt die Handpumpe P-51. Die Hauptkomponenten dieser Pumpen sind in der nachstehenden Tabelle aufgeführt.

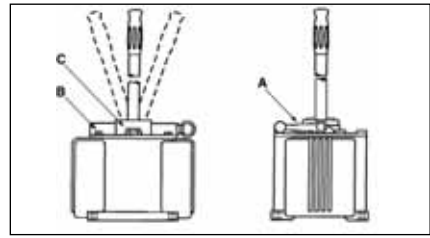


Abbildung 4, Modelle P-25 und P-50

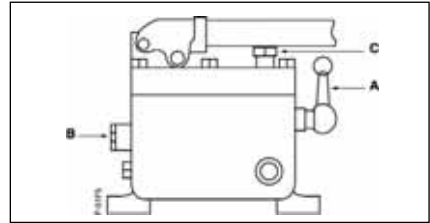


Abbildung 5, Modelle P-51

Tabelle 4 und 5 für Modelle P-25, P-50, P-51			
Abbildungen 4, 5	P-25	P-50	P-51
A	Ablassventil	Ablassventil	Ablassventil
B	1/4 NPTF Ölanschluß	1/4 NPTF Ölanschluß	1/4 NPTF Ölanschluß
C	Entlüft./Einfüllstutzen	Entlüft./Einfüllstutzen	Entlüft./Einfüllstutzen

4.0 INSTALLATION

4.1 Anschließen der Pumpe

- Schrauben Sie den Schlauch mit dem Gewinde in den Ausgang der Pumpe ein. Benutzen Sie für die Schlauchanschlüsse 1 1/2 Lagen Teflonband (oder ein anderes geeignetes Gewindedichtungsmittel), wobei der erste volle Gewindengang frei bleiben muß, um zu verhindern, daß das Band reißt und in das System gelangt und Schaden verursacht. Lose Enden abschneiden.
- Installieren Sie in der von der Pumpe kommenden Leitung ein Druckmeßgerät, um erhöhte Sicherheit und verbesserte Kontrolle zu gewährleisten.
- Schließen Sie den Schlauch (bzw. die Schläuche) an den Zylinder oder das Werkzeug an.

HINWEIS: Bei einfachwirkenden Zylindern wird ein Schlauch von der Pumpe zum Zylinder angeschlossen. Bei doppelwirkenden Zylindern werden zwei Schläuche angeschlossen. Schließen Sie einen Schlauch vom Druckanschluß der Pumpe am Druckanschluß des Zylinders an. Schließen Sie einen zweiten Schlauch vom Einführanschluß der Pumpe an den Einführanschluß des Zylinders an.

4.2 Entlüften der Pumpe

Entnehmen Sie der nachstehenden Tabelle, ob Ihre Pumpe mit einem entlüfteten oder nicht entlüfteten Tank betrieben werden soll. Entlüftete Pumpen bieten eine geringfügig bessere Leistung. Bei Pumpen mit Nylontank wird der Entlüftungs-/Einfülldeckel zur

Entlüftung eine Vierteldrehung gegen den Uhrzeigersinn gedreht. Bei anderen Pumpen ist das an der Pumpe angebrachte Hinweisschild zu beachten. Die Entlüftungsöffnung muß vor dem Transport der Pumpe geschlossen werden, um ein Ölverlust zu vermeiden. Die Pumpen P-80, P-801 und P-84 werden belüftet indem das Ventil entgegen dem Uhrzeigersinn aufgedreht wird. Zum Schliessen des Ventils ist dies im Uhrzeiger zu drehen.

ENTLÜFTUNGSOPTIONEN

EHF-65	nicht entlüftet	P-202	beides möglich
P-18	nicht entlüftet	P-391, 1004	beides möglich
P-25	beides möglich	P-77	entlüftet
P-39, 1003	nicht entlüftet	P-392, 1005	beides möglich
P-50	beides möglich	P-392AL	entlüftet
P-51	entlüftet	P-462	entlüftet
P-80, 1006	nicht entlüftet	P-464	entlüftet
P-84	nicht entlüftet	P-801	nicht entlüftet
P-141, 1001	beides möglich	P-802	beides möglich
P-142, 1002	beides möglich	P-842	beides möglich
P-142AL	nicht entlüftet		

4.3 Pumpenstellung

Entnehmen Sie der nachstehenden Tabelle die entsprechende Betriebsstellung für Ihre Pumpe, horizontal oder vertikal. Die Pumpen P-80, P-801 und P-84 koennen bei vertikalem Einsatz nicht belüftet werden.

BETRIEBSSTELLUNG

EHF-65	beides möglich	P-202	beides möglich
P-18	beides möglich	P-391, 1004	beides möglich
P-25	nur horizontal	P-77	beides möglich
P-39, 1003	beides möglich	P-392, 1005	beides möglich
P-50	nur horizontal	P-392AL	beides möglich
P-51	nur horizontal	P-462	nur horizontal
P-80, 1006	beides möglich	P-464	nur horizontal
P-84	beides möglich	P-801	beides möglich
P-141, 1001	beides möglich	P-802	beides möglich
P-142, 1002	beides möglich	P-842	beides möglich
P-142AL	beides möglich		

HINWEIS: Wenn die Pumpe in vertikaler Stellung betrieben wird, muß der Ausgang (Schlauchseite) nach unten zeigen, andernfalls saugt die Pumpe Luft an und kann den Druck nicht ordnungsgemäß aufbauen.

5.0 BETRIEB

5.1 Vor Inbetriebnahme der Pumpe

1. Prüfen Sie alle Systemanschlüsse und Verbindungen, um sicherzustellen, daß diese fest sitzen und dicht sind.
2. Prüfen Sie den Ölstand im Tank, bevor die Pumpe betrieben wird. Siehe "Auffüllen der Pumpe mit Öl" auf Seite 21.



VORSICHT: Bringen Sie **NIEMALS** eine Verlängerung am Pumpengriff an. Verlängerungen führen dazu, daß die Pumpe beim Betrieb instabil wird.



ACHTUNG: Unter gewissen Umständen kann der Pumpengriff "zurückschlagen". Achten Sie darauf, daß Sie stets seitlich zur Pumpe stehen, und daß sich Ihr Körper außerhalb der Reichweite des Griffs befindet.

HINWEIS: Um bei der Betätigung des Griffs bei

hohem Druck Kraft zu sparen, führen Sie kurze Züge aus. Die größte Pumpwirkung wird in den letzten 5 Grad des Zuges erzielt.

5.2 Verwendung von Pumpen mit zwei Geschwindigkeiten

Diese Pumpen bieten einen zweistufigen Förderstrom. Ohne Belastung arbeitet die Pumpe in der ersten Stufe mit hohem Förderstrom für schnelles Ausfahren. Sobald Kontakt mit der Last besteht, stellt sich die Pumpe automatisch in die zweite Stufe um, um Druck aufzubauen. **Bei Modellen P-462 oder P-464:** Wenn der Pumpendruck ungefähr 200 psi erreicht, muß man das Pumpen kurzzeitig unterbrechen und den Griff heben, um damit in die zweite Stufe (hoher Druck) zu schalten. **Bei Modellen P-802 oder P-842:** Wenn der Pumpendruck ungefähr 400 psi erreicht, muß man das Pumpen kurzzeitig unterbrechen und den Griff heben, um damit in die zweite Stufe (hoher Druck) zu schalten. Nachdem sich die Pumpe umgestellt hat, ist weniger Kraftaufwand zum Pumpen erforderlich.

HINWEIS: Um die optimale Leistung zu erzielen, wird der Pumpengriff in der ersten Stufe (hohe Fördermenge) mit mittlerer Geschwindigkeit betätigt. Rasche Betätigung des Pumpengriffs in der ersten Stufe verhindert, daß die Pumpe die maximale Fördermenge liefert.

5.3 Einfachwirkende Anwendungen mit Ablassventil

1. Schließen Sie das Ablassventil durch Drehen im Uhrzeigersinn, wie in Abbildung 6.

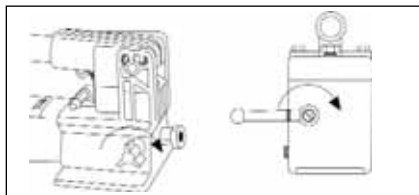


Abbildung 6



VORSICHT: Das Ablassventil **NUR** fingerfest schließen. Wird das Ablassventil mit einem Werkzeug umgestellt, so kann es beschädigt werden und einen Ausfall der Pumpe verursachen.

2. Betätigen Sie den Pumpengriff, um Hydraulikdruck in das System einzubringen. Der Druck wird solange gehalten, bis das Ablassventil geöffnet wird.
3. Öffnen Sie das Ablassventil (Drehung gegen den Uhrzeigersinn), um den Druck abzulassen. Das Öl fließt nun wieder in den Tank zurück.

5.4 Einfachwirkende Anwendungen mit manuellem 3-Wege-Ventil mit 2 Stellungen

1. Ventilgriff in Stellung 1 bringen, wie in Abbildung 7.
2. Betätigen Sie den Pumpengriff, um Hydraulikdruck in das System einzubringen. Der Druck wird solange gehalten, bis das Ventil umgeschaltet wird.

3. Bringen Sie den Ventilgriff in Stellung 2, damit das Öl wieder in den Tank zurückfließen kann.

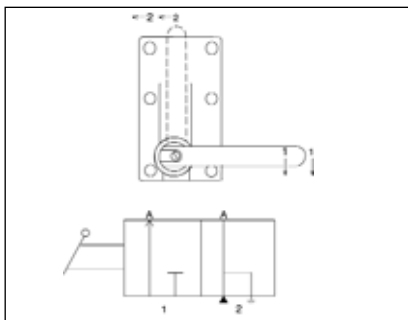


Abbildung 7

5.5 Doppelwirkende Anwendungen manuellem 4-Wege-Ventil mit 3 Stellungen

Pumpen mit 4-Wege-Ventilen sind zur Verwendung mit doppelwirkenden Zylindern konstruiert. Ventilstellungen, siehe Abbildung 8.

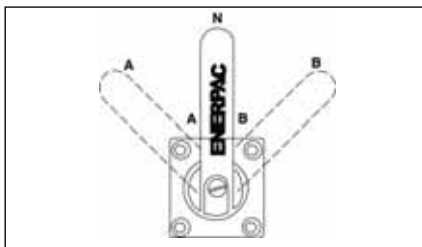


Abbildung 8a

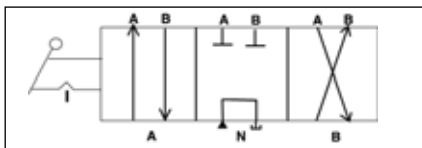


Abbildung 8b

1. Der Ventilhebel des 4-Wege-Ventils wird zur Funktionsauswahl wie folgt geschaltet:

- (A) Ausgang zum Anschluß "A", Anschluß "B" dient als Rücklauf zum Tank
- (N) Neutralstellung, Anschlüsse "A" und "B" sind gesperrt
- (B) Ausgang zum Anschluß "B", Anschluß "A" dient als Rücklauf zum Tank

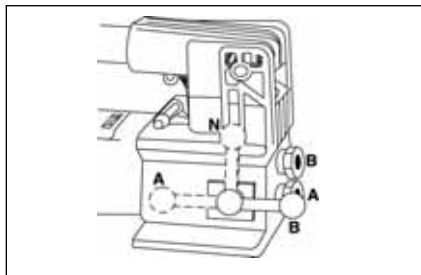


Abbildung 8c

2. Betätigen Sie die Pumpe, um die Arbeit auszuführen.
3. Ändern Sie die Ventilstellung nach Bedarf.



ACHTUNG: Doppelwirkenden Zylinder nur dann in Betrieb nehmen, wenn beide Schläuche an der Pumpe angeschlossen sind. Wenn eine Kupplung frei bleibt, baut sich hoher Druck hinter der Kupplung auf, was zu Verletzungen und/oder Schäden führen kann.

5.6 Einstellung des Druckbegrenzungsventils

Alle Pumpen sind mit einem werkseitig eingestellten Druckbegrenzungsventil ausgestattet, um Überdruck im System zu verhindern. Das Ventil kann auf niedrigere Druckwerte eingestellt werden. Wenden Sie sich an Ihr autorisiertes Enerpac Service Center.

6.0 ENTLÜFTUNG

Durch das Entfernen von Luft aus dem Hydrauliksystem wird geschmeidiges Ausfahren und Einfahren des Zylinders erreicht. Siehe Abbildung 9.

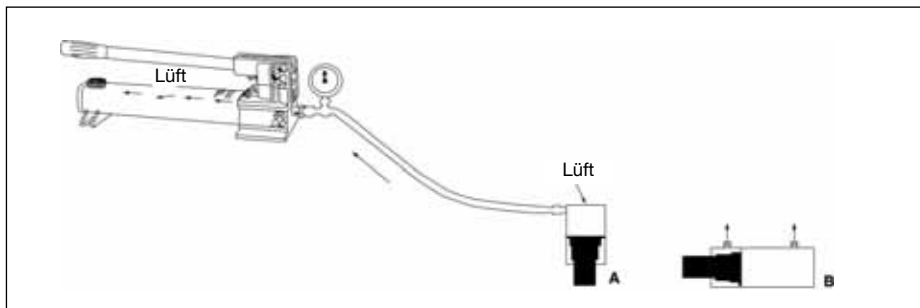


Abbildung 9

6.1 Pump With Single-Acting Cylinder (A)

Pumpe mit einfachwirkendem Zylinder (A):

1. Pumpentank entlüften (nur bei entlüfteten Pumpen) und Ablassventil schließen.
2. Die Pumpe in einer höheren Lage als den Zylinder positionieren.
3. Den Zylinder so aufstellen, daß das Kolbenende nach unten zeigt (nach oben bei Zugzylinder). Siehe Abbildung 9.
4. Pumpe betätigen, um den Zylinder voll auszufahren (Zugzylinder voll einfahren).
5. Druckentlastungsventil öffnen, um den Zylinder einzufahren (Zugzylinder ausfahren). Dadurch wird die eingeschlossene Luft nach oben in den Pumpentank gepreßt.
6. Die obigen Schritte so oft wie nötig wiederholen.
7. Wenn erforderlich, Öl auffüllen. Siehe Seite 21.
8. Den Entlüftungs-/Einfülldeckel wieder in die Betriebsstellung bringen.

6.2 Pumpe mit doppelwirkendem Zylinder (B)

1. Pumpentank entlüften (nur bei entlüfteten Pumpen).
2. Die Pumpe in einer höheren Lage als den Zylinder positionieren.
3. Den Zylinder in die waagerechte Stellung bringen, wobei die Anschlüsse nach oben gerichtet sind. Siehe Abbildung 9.
4. Den Zylinder zwei- bis dreimal voll aus- und einfahren.
5. Die obigen Schritte so oft wie nötig wiederholen.
6. Wenn erforderlich, Öl auffüllen. Siehe diese Seite 21.
7. Den Entlüftungs-/Einfülldeckel wieder in die Betriebsstellung bringen.

7.0 MAINTENANCE

Benutzen Sie für diese Pumpen nur Enerpac-Hydrauliköl, um eine lange Lebensdauer der Pumpen zu erreichen und den Garantieschutz aufrecht zu erhalten. Viton- und EPR-Dichtungssätze sind für einige Pumpen erhältlich. Wenden Sie sich an die zuständige Enerpac Vertriebsstelle, um Informationen über diese Produkte und ihre Anwendung zu erhalten.

7.1 Auffüllen der Pumpe mit Öl

Prüfen Sie den Ölstand regelmäßig.



ACHTUNG: Füllen Sie nur dann Öl auf, wenn die Zylinder voll eingefahren (bzw. bei Zugzylindern ausgefahren) sind, andernfalls enthält das System mehr Öl, als der Tank aufnehmen kann.

1. Entfernen Sie den Entlüftungs-/Einfülldeckel vom Tank.
2. Füllen Sie den Tank nur bis zur Füllmarkierung an der Pumpe.

3. Wenn erforderlich, entfernen Sie die Luft aus dem System. Siehe Seite 20. Prüfen Sie den Ölstand nach dem Entlüften nochmals.
4. Bringen Sie den Entlüftungs-/Einfülldeckel wieder in der vorschriftsmäßigen Stellung an.

HINWEIS: Nicht entlüftete Handpumpen benötigen Luft im Tank, um ordnungsgemäß zu funktionieren. Ist der Tank vollständig gefüllt, so bildet sich ein Vakuum, das verhindert, daß Öl aus der Pumpe abfließen kann.

7.2 Reinhalten der Ölleitungen

Werden die Kupplungsteile getrennt, so müssen stets Staubkappen aufgeschraubt werden. Führen Sie alle erforderlichen Vorsichtsmaßnahmen aus, um das Eindringen von Verunreinigungen in die Pumpe zu verhindern, da Fremdkörper zum Versagen der Pumpe, des Zylinders oder des Ventils führen können.

7.3 Schmierung der Pumpe

Um die Lebensdauer der Pumpe zu verlängern und die Leistung zu erhöhen, schmieren Sie den Tragbolzen (A), den Querbolzen (B) und den Zylinderkopf (C) regelmäßig mit Rollenlager-Schmierfett. Siehe Abbildung 10.

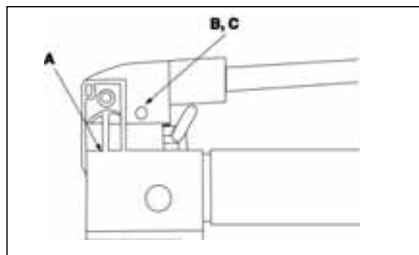


Abbildung 9

7.4 Ölwechsel

1. Lassen Sie alle 12 Monate das gesamte Öl ab und füllen die Pumpe mit reinem Enerpac-Öl auf. Führen Sie den Ölwechsel öfter aus, wenn die Pumpe in schmutziger Umgebung eingesetzt wird.
2. Nehmen Sie den Entlüftungs-/Einfülldeckel vom Tank ab.
3. Kippen Sie die Pumpe, um das Altöl abzulassen.
4. Füllen Sie den Tank nur bis zur Füllmarkierung an der Pumpe.
5. Entlüftungs-/Einfülldeckel bzw. -stopfen wieder anbringen.
6. Das Altöl ist vorschriftsmäßig zu entsorgen.

8.0 ANLEITUNG ZUR FEHLERSUCHE

Die folgende Information soll helfen, um feststellen zu können, ob eine Fehlfunktion vorliegt. (Seite 22) Für die Durchführung von Reparaturarbeiten wenden Sie sich an das autorisierte ENERPAC Service-Center in Ihrem Gebiet.

EHLERSUCHE

Fehlfunktion	Mögliche Ursache	Behebung
Zylinder fährt nicht aus, fährt zu langsam aus, oder setzt beim Ausfahren aus.	<ol style="list-style-type: none"> 1. Zu niedriger Ölstand im Tank der Pumpe. 2. Ablassventil offen. 3. Hydraulikkupplung lose. 4. Zu schwere Last. 5. Eingeschlossene Luft im System. 6. Zylinderkolben klemmt. 	<ol style="list-style-type: none"> 1. Öl gemäß Wartungsanweisungen auf Seite 21. 2. Ablassventil schließen. 3. Überprüfen, ob alle Kupplungen vollständig festgezogen sind. 4. Nicht versuchen, eine größere Last als die Nennlast zu heben. 5. Luft gemäß Anweisungen auf Seite 20. 6. Auf Schaden am Zylinder prüfen. Zylinder von einem zugelassenen Hydrauliktechniker warten lassen.
Zylinder fährt aus, hält den Druck aber nicht.	<ol style="list-style-type: none"> 1. Undichte Verbindung. 2. Undichte Dichtungen. 3. Innere Leckage in der Pumpe. 	<ol style="list-style-type: none"> 1. Prüfen, ob alle Verbindungen festgezogen und dicht sind. 2. Leckstellen auffinden und das Gerät von einem qualifizierten Hydrauliktechniker warten lassen. 3. Pumpe von einem qualifizierten Hydrauliktechniker warten lassen.
Zylinder fährt nicht ein, fährt nur teilweise ein oder fährt langsamer als normal ein.	<ol style="list-style-type: none"> 1. Ablassventil geschlossen. 2. Tank der Pumpe überfüllt. 3. Lose Hydraulikkupplung. 4. Eingeschlossene Luft im System. 5. Zu geringer Schlauchdurchmesser. 6. Rückstellfeder des Zylinders ist gebrochen, oder anderer Schaden am Zylinder liegt vor. 	<ol style="list-style-type: none"> 1. Ablassventil öffnen. 2. Ölstand durch Ablassen bis zur Vollmarkierung senken Anweisungen zum Auffüllen von Öl, siehe Seite 21. 3. Überprüfen, ob alle Kupplungen vollständig festgezogen sind. 4. Luft entfernen, gemäß Anweisungen auf Seite 20. 5. Hydraulikschlauch mit größerem Durchmesser benutzen. 6. Zylinder von einem qualifizierten Hydrauliktechniker warten lassen.

L1763 Rev I 03/09

L'esplosione delle parti di ricambio per questo prodotto è ottenibile sul sito web www.enerpac.com, oppure chiamando il Centro Assistenza Autorizzato a voi più vicino, o il ns. ufficio commerciale.

1.0 NOTA IMPORTANTE

Ispezionare visivamente tutti i componenti per identificare eventuali danni di spedizione e, se presenti, avvisare prontamente lo spedizioniere. I danni subiti durante la spedizione **non** sono coperti dalla garanzia vigente. Lo spedizioniere è il solo responsabile per i costi di riparazione o di sostituzione conseguenti a danni avvenuti durante la spedizione.

2.0 INFORMAZIONI SULLA SICUREZZA



Leggere attentamente tutte le istruzioni, le avvertenze e le precauzioni. Durante il funzionamento del sistema, rispettare tutte le norme di sicurezza onde evitare infortuni o danni all'apparecchiatura. L'Enerpac declina ogni responsabilità per danni risultanti da un uso improprio del prodotto, dalla mancata manutenzione o dall'applicazione errata del prodotto e del sistema. In caso di dubbio in materia di sicurezza o applicazioni, rivolgersi all'Enerpac. Se si richiedono informazioni sulle norme di sicurezza per sistemi idraulici ad alta pressione, rivolgersi al distributore o al centro di riparazione di zona in grado di fornire gratuitamente un corso di addestramento in materia di sicurezza idraulica autorizzato dalla Enerpac.

La mancata osservanza delle seguenti precauzioni potrebbe portare a seri danni all'apparecchiatura e a lesioni personali.

Una **PRECAUZIONE** indica le corrette procedure di azionamento o manutenzione per evitare danni all'apparecchiatura o all'ambiente circostante.

Un **AVVERTENZA** indica un potenziale pericolo che richiede la messa in pratica delle procedure corrette per evitare infortuni.

Un **PERICOLO** indica una situazione in cui un'azione o la mancanza di azione può causare gravi lesioni personali se non il decesso.



AVVERTENZA: Indossare un'attrezzatura di protezione appropriata durante il funzionamento dell'apparecchiatura.



AVVERTENZA: Stare lontano da carichi sospesi e sostenuti idraulicamente. Un cilindro utilizzato per sollevare un carico non deve mai essere impiegato anche per il loro sostegno. Dopo aver alzato o abbassato un peso, è necessario che questo venga sempre bloccato in maniera meccanica.



AVVERTENZA: UTILIZZARE SOLO ATTREZZI RIGIDI PER IL SOSTEGNO DEI CARICHI. Selezionare con cura blocchi in acciaio o in legno capaci di supportare il peso del carico. Non ricorrere mai a un cilindro idraulico come cuneo o spessore in applicazioni di sollevamento o pressatura.



PERICOLO: Per evitare lesioni personali, durante la lavorazione tenere le mani e i piedi lontano dal cilindro e dal pezzo in lavorazione.



AVVERTENZA: Non superare mai la capacità nominale dell'apparecchiatura. Non tentare mai di sollevare un peso superiore alla capacità del cilindro, dato che il sovraccarico può causare guasti all'apparecchiatura e possibili infortuni all'operatore. I cilindri sono stati studiati per una pressione massima pari a 700 bar. Non collegare un martinetto o un cilindro a una pompa la cui pressione nominale è superiore.



PERICOLO: Non impostare mai la valvola di scarico a una pressione superiore a quella massima nominale della pompa. Un'impostazione superiore può arrecare danni all'apparecchiatura e/o provocare infortuni all'operatore. Non rimuovere la valvola di sicurezza.



AVVERTENZA: La pressione di esercizio del sistema non deve superare il valore nominale prefissato per il componente dalla pressione più bassa. Installare nel sistema un manometro per tenere sotto controllo la pressione di esercizio.



PRECAUZIONE: Evitare di arrecare danni al tubo idraulico flessibile. Evitare di piegare o arricciare il tubo flessibile durante l'uso, poiché gli strozzature possono provocare gravi contropressioni. Le piegature e gli strozzature acute possono danneggiare internamente il tubo flessibile e provocarne quindi un guasto prematuro.



Non lasciar cadere oggetti pesanti sul tubo flessibile, dato che l'impatto potrebbe danneggiarne i fili dell'armatura. La messa sotto pressione di un tubo flessibile danneggiato può causarne la rottura.



IMPORTANTE: Non sollevare apparecchiature idrauliche mediante il tubo flessibile o i giunti orientabili. Servirsi della maniglia per trasporto o di un altro mezzo di trasporto sicuro.



PRECAUZIONE: Tenere l'apparecchiatura idraulica lontano da fiamme e sorgenti di calore. Il calore eccessivo ammorbidisce le guarnizioni, provocando perdite di fluido. Il calore indebolisce altresì il materiale di cui è composto il tubo flessibile. Per garantire le migliori prestazioni, non esporre l'apparecchiatura a temperature superiori a 65°C (150°F). Proteggere i tubi flessibili e i cilindri da scintille o scaglie di saldatura.



PERICOLO: Non maneggiare i tubi flessibili sotto pressione. Eventuali fuoriuscite d'olio sotto pressione possono penetrare sotto la cute e provocare gravi lesioni. Se l'olio penetra sotto la pelle, rivolgersi immediatamente a un medico.



AVVERTENZA: Utilizzare i cilindri idraulici solo se i giunti del sistema sono debitamente accoppiati. Se il sovraccarico del cilindro diventa eccessivo, i componenti possono guastarsi irrimediabilmente e provocare gravi lesioni personali.



AVVERTENZA: Prima di sollevare il carico, assicurarsi che la configurazione dell'intera apparecchiatura sia perfettamente stabile. Il cilindro deve essere

disposto su una superficie piana, in grado di sostenere il carico. Se possibile, usare una base per il cilindro, per aumentarne la stabilità. Non saldare né modificare in alcun modo il cilindro allo scopo di collegarvi una base o un altro supporto.



Evitare situazioni in cui i carichi non siano perfettamente centrati rispetto allo stelo del cilindro stesso. I carichi disassati esercitano notevoli sollecitazioni sui cilindri e steli. Inoltre, il carico potrebbe scivolare o cadere, con risultati potenzialmente pericolosi.



Distribuire il carico uniformemente sull'intera superficie della testa del pistone. Usare sempre una testina per proteggere lo stelo quando non si usano attacchi filettati.



IMPORTANTE: Affidare la manutenzione delle apparecchiature idrauliche solamente a un tecnico specializzato. Per richiedere un intervento di assistenza, rivolgersi al centro di assistenza ENERPAC autorizzato di zona. Per usufruire dei termini di garanzia, utilizzare esclusivamente olio idraulico ENERPAC.



AVVERTENZA: Sostituire immediatamente le parti usurate o danneggiate con pezzi di ricambio ENERPAC originali. I pezzi di ricambio di qualità standard si potrebbero rompere più facilmente e arrecare danni alla propria persona e all'ambiente circostante. I pezzi di ricambio ENERPAC sono stati concepiti per adattarsi perfettamente al sistema e per sopportare condizioni di carico elevate.

DATI TECNICI – Consultare il presente Manuale di istruzioni per informazioni sui modelli elencati nella seguente tabella.							
Dati Tecnici							
Modello	Tipo (velocità)	Pressione max. Nominale psi [bar]			Quantità olio per corsa in ³ [cm ³]	Quantità olio utilizzabile in ³ [cm ³]	
EHF-65	1	6,500 [440]			.16 [2.62]	22 [360]	
P-18	1	2,850 [200]			.16 [2.62]	22 [360]	
P-25	1	2,500 [170]			.58 [9.51]	231 [3786]	
P-39, 1003	1	10,000 [700]			.16 [2.62]	43 [705]	
P-50	1	5,000 [340]			.29 [4.75]	231 [3786]	
P-51	1	3,000 [210]			.25 [4.09]	50 [820]	
P-141, 1001	1	10,000 [700]			.055 [.90]	20 [328]	
P-391, 1004	1	10,000 [700]			.151 [2.47]	55 [900]	
		Fase 1	Fase 2	Fase 1	Fase 2		
P-80, 1006	2	350 [25]	10,000 [700]		.99 [16.23]	.15 [2.46]	140 [2295]
P-84	2	350 [25]	10,000 [700]		.99 [16.23]	.15 [2.46]	140 [2295]
P-142, 1002	2	200 [14]	10,000 [700]		.221 [3.62]	.055 [.90]	20 [328]
P-142AL	2	200 [14]	10,000 [700]		.221 [3.62]	.055 [.90]	9.0 [148]
P-202	2	200 [14]	10,000 [700]		.221 [3.62]	.055 [.90]	55 [900]
P-77	2	200 [14]	10,000 [700]		.63 [16.0]	.094 [2.41]	47 [769]
P-392, 1005	2	200 [14]	10,000 [700]		.687 [11.26]	.151 [2.47]	55 [900]
P-392AL	2	200 [14]	10,000 [700]		.687 [11.26]	.151 [2.47]	55 [900]
P-462	2	200 [14]	10,000 [700]		7.69 [126.00]	.29 [4.75]	462 [7572]
P-464	2	200 [14]	10,000 [700]		7.69 [126.00]	.29 [4.75]	462 [7572]
P-801	2	350 [25]	10,000 [700]		.99 [16.23]	.15 [2.46]	250 [4095]
P-802	2	400 [28]	10,000 [700]		2.40 [39.34]	.15 [2.46]	155 [2540]
P-842	2	400 [28]	10,000 [700]		2.40 [39.34]	.15 [2.46]	155 [2540]

3.0 DESCRIZIONE

3.1 Modelli P-141, 1001/P-142, 1002/P-202/P-391, 1004/P-392, 1005/P-802 e P-842

La figura 1 e la tabella che segue mostrano i componenti principali e le loro caratteristiche per i modelli P-141, P-142, P-202, P-391, P-392, P802, e P-842. Il tappo di sfiato/riempimento funziona anche da valvola di sicurezza nel caso di pressurizzazione fortuita del serbatoio. Per collegare una valvola in linea alla parte posteriore del serbatoio, utilizzare un kit per ritorno al serbatoio. I numeri di modello del kit sono riportati nella tabella che segue.

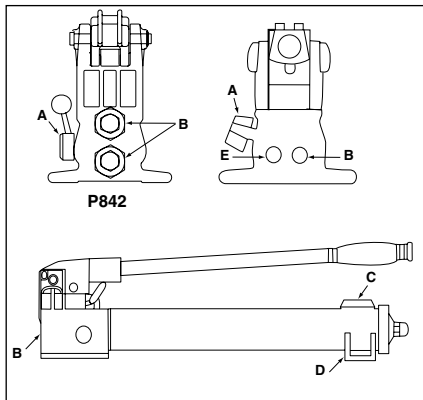


Figura 1

3.2 Modelli P-18/P-39, 1003/P-80, 1006/P-84 e P-801, P-77

La figura 2 e la tabella che segue mostrano i componenti principali e le loro caratteristiche per i suddetti modelli. I modelli P-84 incorporano una valvola a 4 vie e 3 posizioni per l'impiego con cilindri a doppio effetto. Se si desidera azionare col piede i modelli P-18 o P-39, ordinare il Kit PC-10.

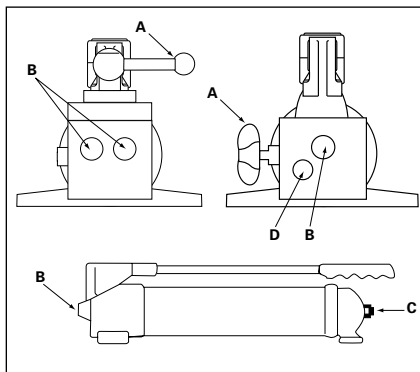


Figura 2



AVVISO: Queste pompe utilizzano un serbatoio non ventilato. Se sul serbatoio agisce una elevata pressione, la carcassa può spezzarsi e causare infortuni e/o danni alle apparecchiature. **MAI TENTARE** di aggiungere olio al serbatoio in quantità maggiore alla sua capacità.

Tabella 1

Fig. 1	P-141, 1001	P-142, 1002	P-202	P-391, 1004	P-392, 1005	P-802	P-842
A	Valvola di rilascio	Valvola di rilascio	Valvola di rilascio	Valvola di rilascio	Valvola di rilascio	Valvola di rilascio	Valvola a 4 vie
B	Bocca olio 1/4 NPTF	Bocca olio 1/4 NPTF	Bocca olio 1/4 NPTF	Bocca olio 3/8 NPTF	Bocca olio 3/8 NPTF	Bocca olio 3/8 NPTF	Bocca olio 3/8 NPTF
C	Tappo di sfiato/riempimento	Tappo di sfiato/riempimento	Tappo di sfiato/riempimento	Tappo di sfiato/riempimento	Tappo di sfiato/riempimento	Tappo di sfiato/riempimento	Tappo di sfiato/riempimento
D	Asole di montaggio	Asole di montaggio	—	—	—	Asole di montaggio	Asole di montaggio
E	—	—	—	—	—	di ritorno a serbatoio	—
Kit per ritorno al serbatoio	PC-20	PC-20	PC-25	PC-25	PC-25	—	—

Tabella 2

Fig 2	P-18	P-39, 1003	P-77	P-80, 1006	P-84	P-801
A	Valvola di rilascio	Valvola di rilascio	Valvola di rilascio	Valvola di rilascio	Valvola di rilascio	Valvola di rilascio
B	Bocca olio 3/8 NPTF	Bocca olio 3/8 NPTF	Bocca olio 3/8 NPTF	Bocca olio 3/8 NPTF	Bocca olio 3/8 NPTF	Bocca olio 3/8 NPTF
C	Tappo di riempimento	Tappo di riempimento	Tappo di riempimento	Tappo di riempimento	Tappo di riempimento	Tappo di riempimento
D	—	—	—	di ritorno a serbatoio 1/4 NPTF	—	di ritorno a serbatoio serbatoio 1/4 NPTF

3.3 Modelli P-462 e P-464

La figura 3 e la tabella che segue mostrano le caratteristiche principali dei modelli P-462, da utilizzare con cilindri a semplice effetto, e dei modelli P-464, da utilizzare con cilindri a doppio effetto.

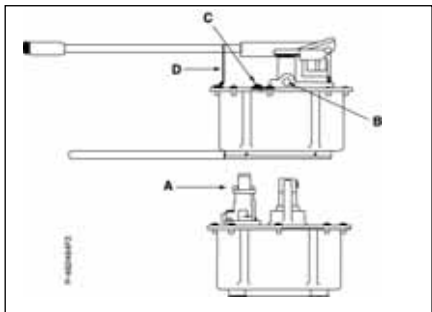


Figura 3, Modelli P-25 e P-50

Tabella 3		
Fig. 3	P-462	P-464
A	Valvola a 3 vie e 2 posizioni	Valvola a 4 vie e 3 posizioni
B	Bocca olio 3/8 NPTF	Bocca olio 3/8 NPTF
C	Tappo di sfiato/riempimento	Tappo di sfiato/riempimento
D	Fermaglio della leva	Fermaglio della leva

3.4 Modelli P-25, P-50 e P-51

La figura 4 mostra i modelli P-25 e P-50, entrambi muniti di leva azionabile in entrambe le direzioni. La figura 5 mostra il modello P-51. I componenti principali di queste pompe sono riportati nella tabella che segue.

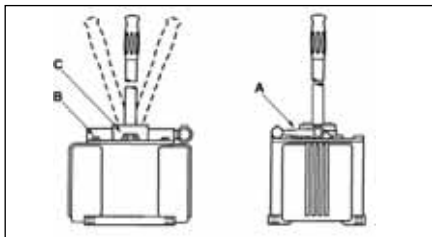


Figura 4, Modelli P-25 e P-50

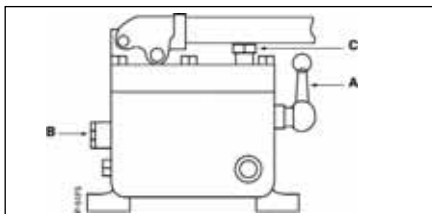


Figura 5, Model No. P-51

Table 4 and 5			
Fig 4, 5	P-25	P-50	P-51
A	Valvola di rilascio	Valvola di rilascio	Valvola di rilascio
B	Bocca olio 1/4 NPTF	Bocca olio 1/4 NPTF	Bocca olio 3/8 NPTF
C	Tappo di sfiato/riempimento	Tappo di sfiato/riempimento	Tappo di sfiato/riempimento

4.0 INSTALLAZIONE

4.1 Collegamento della pompa

1. Collegare un tubo flessibile alla bocca olio. Avvolgere sui raccordi nastro di teflon (o simile materiale di tenuta per filettature) per un giro e mezzo e lasciare il primo filetto completamente libero dal nastro, per evitare che pezzi di nastro si stacchino e penetrino nel sistema oleodinamico, causando danni. Rifilare le estremità del nastro.
2. Per ulteriore controllo della pompa e maggiore sicurezza, installare in linea un manometro.
3. Collegare i tubi flessibili all'attrezzo o al cilindro.

NOTA: Per cilindri a semplice effetto, collegare un tubo flessibile fra la pompa ed il cilindro. Per cilindri a doppio effetto, collegare due tubi flessibili. Collegare un tubo tra le bocche di uscita della pompa e del cilindro, ed un altro tra le bocche di ritorno della pompa e del cilindro.

4.2 Ventilazione della pompa

Consultare la tabella che segue per stabilire se la propria pompa deve funzionare con serbatoio ventilato o meno. Le pompe ventilate hanno prestazioni leggermente migliori. Nelle pompe con serbatoio in nylon, ruotare il tappo di sfiato/riempimento di 1/4 di giro in senso antiorario per eseguire la ventilazione. Per altri modelli, vedere l'adesivo sulla pompa stessa. Prima di spostare la pompa, chiudere l'apertura di ventilazione per evitare perdite di olio. P-80, P-801, y P-84 se ceban girando la válvula contra las agujas del reloj. Para cerrar el cebado, girar la válvula según las agujas del reloj.

OPZIONI DI VENTILAZIONE

EHF-65.....	non-ventilata	P-202.....	entrambe
P-18.....	non-ventilata	P-391, 1004.....	entrambe
P-25.....	entrambe	P-77.....	ventilata
P-39, 1003.....	non-ventilata	P-392, 1005.....	entrambe
P-50.....	entrambe	P-392AL.....	ventilata
P-51.....	ventilata	P-462.....	ventilata
P-80, 1006.....	entrambe	P-464.....	ventilata
P-84.....	entrambe	P-801.....	non-vent
P-141, 1001.....	entrambe	P-802.....	entrambe
P-142, 1002.....	entrambe	P-842.....	entrambe
P-142AL.....	non-ventilata		

4.3 Posizione di funzionamento della pompa

Consultare la tabella che segue per determinare la giusta posizione di funzionamento, orizzontale o verticale, della pompa. La P-80, P-801, y la P-84 no podrán cebarse cuando estén trabajando verticalmente.

POSIZIONE DI FUNZIONAMENTO

EHF-65	entrambe	P-202	entrambe
P-18	entrambe	P-391, 1004	entrambe
P-25	solo orizzontale	P-77	entrambe
P-39, 1003	entrambe	P-392, 1005	entrambe
P-50	solo orizzontale	P-392AL	entrambe
P-51	solo orizzontale	P-462	solo orizzontale
P-80, 1006	entrambe	P-464	solo orizzontale
P-84	entrambe	P-801	entrambe
P-141, 1001	entrambe	P-802	entrambe
P-142, 1002	entrambe	P-842	entrambe
P-142AL	entrambe		

NOTA: Quando una pompa è in posizione verticale, l'estremità del tubo flessibile dev'essere rivolta verso il basso, altrimenti la pompa aspirerà aria e non andrà in pressione.

5.0 FUNZIONAMENTO

5.1 Prima dell'utilizzo

1. Controllare tutti i raccordi ed i collegamenti del sistema, assicurandosi che siano ben serrati e privi di perdite.
2. Prima di azionare la pompa, controllare il livello dell'olio. Vedere "Rabbocco dell'olio" a pagina 29.



ATTENZIONE: MAI AGGIUNGERE prolunghe alla leva di azionamento. Una prolunga può causare funzionamento instabile.



AVVISO: In certe condizioni la leva di azionamento può ruotare rapidamente all'indietro. Rimanere sempre ai lati della pompa, fuori della portata della leva.

NOTA: Per ridurre lo sforzo esercitato sulla leva ad elevate pressioni, azionarla a brevi corse. Il leveraggio massimo si ottiene negli ultimi 5 gradi di ogni corsa.

5.2 Utilizzo delle pompe a due fasi

Le pompe qui descritte funzionano a due fasi. In assenza di carico le pompe funzionano in una prima fase ad elevata portata, per ottenere un'estensione rapida. A contatto col carico, le pompe passano automaticamente alla seconda fase, per andare in pressione. **Nei modelli P-462 o P-464**, quando la pressione raggiunge i 200 psi circa, è necessario interrompere temporaneamente il pompaggio e sollevare la leva per passare alla fase ad elevata pressione. **Nei modelli P-802 o P-842**, quando la pressione raggiunge i 400 psi circa, è necessario interrompere temporaneamente il pompaggio e sollevare la leva per passare alla fase ad elevata pressione. A passaggio della pompa alla seconda fase avvenuto, il pompaggio richiede uno sforzo minore.

NOTA: per ottenere prestazioni ottimali, azionare la leva a velocità moderate durante la prima fase ad elevata portata. Un azionamento rapido della leva durante la prima fase impedirebbe alla pompa di erogare la quantità massima di olio.

5.3 Utilizzo con valvola di rilascio su cilindri a semplice effetto

1. Chiudere la valvola di rilascio ruotando la manopola in senso orario, come mostrato nella figura 6.

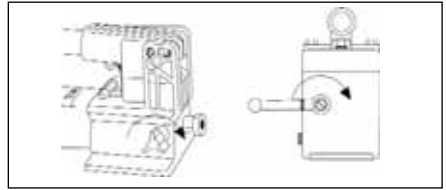


Figura 6



ATTENZIONE: Serrare la manopola SOLAMENTE a mano. L'uso di attrezzi può danneggiare la valvola di rilascio e causare un malfunzionamento della pompa.

2. Azionare la leva per fornire pressione oleodinamica al sistema. La pressione si mantiene finché si tiene aperta la valvola di rilascio.
3. Aprire la valvola di rilascio (ruotare la manopola in senso antiorario) per ridurre la pressione e fare tornare l'olio nel serbatoio.

5.4 Utilizzo con valvola manuale a 3 vie e 2 posizioni su cilindri a semplice effetto

1. Portare la leva di comando della valvola sulla posizione 1, come mostrato nella figura 7.
2. Azionare la leva di pompaggio per fornire pressione oleodinamica al sistema. La pressione si mantiene finché si tiene sulla posizione 1 la leva della valvola.
3. Portare la leva della valvola sulla posizione 2, per fare tornare l'olio nel serbatoio.

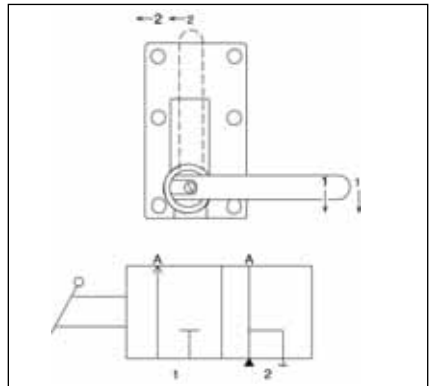


Figura 7

5.5 Utilizzo con valvola manuale a 4 vie e 3 posizioni su cilindri a doppio effetto

Le pompe munite di valvole a 4 vie sono progettate per azionare cilindri a doppio effetto. La figura 8 a le posizioni della leva di comando della valvola.

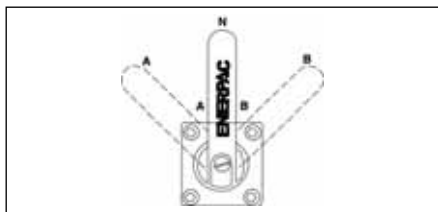


Figura 8a

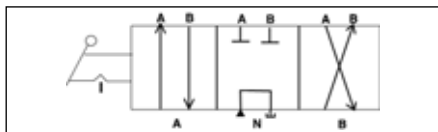


Figura 8b

1. Posizioni della leva di comando e funzioni della valvola a 4 vie

(A) Mandata alla bocca "A", l'olio torna nel serbatoio attraverso la bocca "B".

(N) Blocco, le bocche "A" e "B" sono chiuse.

(B) Mandata alla bocca "B", l'olio torna nel serbatoio attraverso la bocca "A".

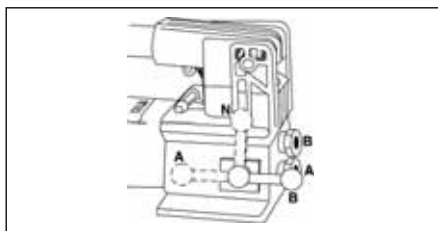


Figura 8c

2. Azionare la pompa per fornire pressione oleodinamica al sistema.
3. Portare la leva di comando su altre posizioni, a seconda delle necessità.



AVVISO: Azionare cilindri a doppio effetto solamente quando entrambi i tubi flessibili sono collegati alla pompa. Se una bocca resta non collegata, la pressione a monte

di essa aumenterà fino a valori elevati, con pericolo di infortuni e/o danni alle apparecchiature.

5.6 Regolazione della valvola di sicurezza

Tutte le pompe incorporano una valvola di sicurezza regolata in fabbrica per evitare la sovrappressurizzazione del sistema. È possibile regolare la valvola su pressioni inferiori. Rivolgersi al Centro di Assistenza Autorizzato ENERPAC più vicino.

6.0 ESTRAZIONE DELL'ARIA

L'estrazione dell'aria dal sistema oleodinamico consente al pistone di avanzare e ritornare regolarmente. Vedere la figura 9.

6.1 Pompe con cilindro a semplice effetto (A)

1. Ventilare il serbatoio della pompa (solamente pompe ventilate) e chiudere la valvola di rilascio.
2. Collocare la pompa più in alto del cilindro.
3. Orientare il cilindro con l'estremità del pistone in basso (in alto se si utilizza un cilindro a tiro). Vedere la figura 9.
4. Azionare la pompa in modo da fare avanzare completamente il pistone (farlo ritornare se si impiega un cilindro a tiro).
5. Aprire la valvola di rilascio per fare ritornare il pistone (farlo avanzare per il cilindro a tiro). L'aria intrappolata nel cilindro verrà aspirata verso il serbatoio.
6. Ripetere le suddette operazioni tante volte quanto necessario.
7. Se necessario, aggiungere olio. Vedere "Rabbocco dell'olio" a pagina 29.
8. Riportare il tappo di sfiato/riempimento sulla posizione di funzionamento.

6.2 Pompe con cilindro a doppio effetto (B)

1. Vent pump reservoir (for vented pumps only).
2. Position pump at higher elevation than cylinder.
3. Put cylinder in horizontal position with ports up. See Figure 9.
4. Fully advance and retract the cylinder 2 to 3 times.
5. Repeat the above steps as necessary.
6. Se necessario, aggiungere olio. Vedere "Rabbocco dell'olio" a pagina 29.
7. Riportare il tappo di sfiato/riempimento sulla posizione di funzionamento.

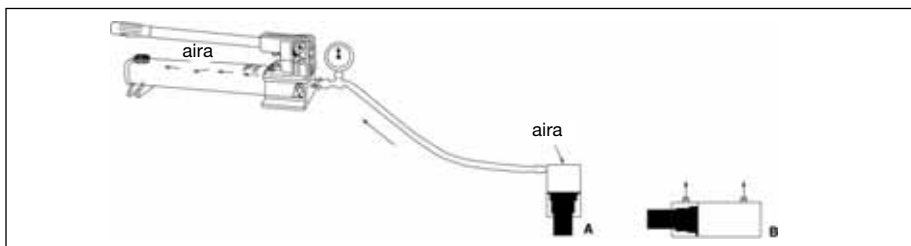


Figura 9

7.0 MANUTENZIONE

Per garantire la validità della garanzia ed estendere la durata della pompa, usare solamente olio idraulico Enerpac. Per alcune pompe manuali sono disponibili guarnizioni Viton ed EPR. Per ulteriori informazioni su questi prodotti e sulle loro applicazioni, rivolgersi al concessionario Enerpac.

7.1 Rabbocco dell'olio

Controllare regolarmente il livello dell'olio..



AVVISO: Aggiungere olio solamente con il pistone completamente rientrato (completamente avanzato se si utilizza un cilindro a tiro), altrimenti il sistema conterrà olio in quantità superiore alla capacità del serbatoio.

1. Togliere il tappo di sfiato/riempimento dal serbatoio.
2. Riempire il serbatoio solo fino al livello contrassegnato sulla pompa.
3. Se necessario, estrarre l'aria dal sistema. (Vedere pagina 28.) Ricontrrollare il livello dell'olio dopo la disaerazione.
4. Ricollocare in posizione il tappo di sfiato/riempimento.

NOTA: Le pompe manuali non ventilate richiedono aria nel serbatoio per funzionare idoneamente. Se il serbatoio è completamente pieno, si forma una zona di depressione che impedisce l'erogazione dell'olio.

7.2 Pulizia delle linee dell'olio

Quando le bocche sono scollegate, avvitare sempre su di esse i tappi parapolvere. Esercitare ogni possibile precauzione per evitare l'introduzione di sporcizia nella pompa, poiché sostanze estranee possono causare guasti alla pompa, al cilindro o alla valvola.

7.3 Lubrificazione della pompa

Per prolungare la durata della pompa e migliorarne le prestazioni, lubrificare regolarmente il perno (A), lo spinotto (B) e la testa del pistone (C), utilizzando grasso per cuscinetti a rulli. Vedere la figura 10.

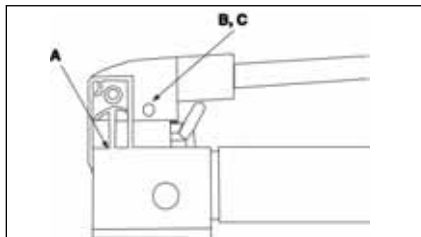


Figura 10

7.4 Sostituzione olio

1. Ogni 12 mesi, scaricare tutto l'olio e rabboccare usando olio Enerpac pulito. Sostituire l'olio più frequentemente se si adopera la pompa in ambienti di lavoro sporchi.
2. Togliere il tappo del serbatoio.
3. Inclinare la pompa e lasciare scaricare tutto l'olio usato.
4. Riempire il serbatoio solo fino al livello contrassegnato sulla pompa.
5. Ricollocare in posizione il tappo del serbatoio.
6. Sostituire l'olio usato attenendosi alle normative vigenti.

8.0 GUIDA ALLA RICERCA DEI GUASTI

Le informazioni qui di seguito riportate sono di ausilio per determinare se esiste un problema. Per assistenza tecnica, rivolgersi al Centro di Assistenza Autorizzato ENERPAC più vicino.

GUIDA ALLA RICERCA DEI GUASTI		
Problema	Possibili Cause	Soluzione
Il pistone non avanza, avanza lentamente o avanza a scatti.	<ol style="list-style-type: none"> 1. Basso livello dell'olio nel serbatoio. 2. Valvola di rilascio aperta. 3. Collegamento oleodinamico allentato. 4. Carico troppo pesante. 5. Aria intrappolata nel sistema. 6. Grippaggio del pistone. 	<ol style="list-style-type: none"> 1. Aggiungere olio come descritto nella sezione MANUTENZIONE. 2. Chiudere la valvola di rilascio. 3. Verificare che tutti i collegamenti siano ben serrati. 4. Non tentare di sollevare un carico più pesante del valore nominale. 5. Estrarre l'aria come descritto in "Estrazione dell'aria". 6. Verificare eventuali danni al pistone/cilindro. Rivolgersi ad un tecnico idraulico qualificato.
Il pistone avanza ma non mantiene la pressione.	<ol style="list-style-type: none"> 1. Perdita in un collegamento. 2. Le guarnizioni non tengono. 3. Perdita interna nella pompa. 	<ol style="list-style-type: none"> 1. Verificare che tutti i collegamenti siano ben serrati e privi di perdite. 2. Localizzare le perdite e, per le riparazioni, rivolgersi ad un tecnico idraulico qualificato. 3. Rivolgersi ad un tecnico idraulico qualificato.
Il pistone non ritorna, ritorna parzialmente o ritorna più lentamente del normale.	<ol style="list-style-type: none"> 1. Valvola di rilascio chiusa. 2. Serbatoio troppo pieno. 3. Collegamento oleodinamico allentato. 4. Aria intrappolata nel sistema. 5. Diametro interno del tubo flessibile troppo piccolo. 6. Molla di richiamo nel cilindro rotta o altro danno nel cilindro. 	<ol style="list-style-type: none"> 1. Aprire la valvola di rilascio. 2. Scaricare l'olio fino al livello contrassegnato. Vedere "Rabbocco dell'olio." 3. Verificare che tutti i collegamenti siano ben serrati. 4. Estrarre l'aria come descritto in "Estrazione dell'aria". 5. Usare un tubo flessibile di diametro maggiore. 6. Rivolgersi ad un tecnico idraulico qualificato.

L1763 Rev I 03/09

Las hojas de despiece para este producto están disponibles en la página web de Enerpac en la dirección www.enerpac.com, o en su centro de Asistencia Técnica ó punto de venta Enerpac mas cercano.

1.0 IMPORTANTES INSTRUCCIONES DE RECEPCIÓN

Inspeccione visualmente todos los componentes para verificar si hay daños de envío. Debido a que la garantía **no** ampara daños por envío, si los hubiese, infórmeselo inmediatamente a la empresa de transportes, puesto que ésta es responsable de todos los gastos de reparaciones o reemplazo que resulten por daños de envío.

SEGURIDAD PRIMERO

2.0 ASPECTOS DE SEGURIDAD



Lea todas las instrucciones, advertencias y precauciones.

Acate todas las precauciones de seguridad para evitar lesiones personales o daños a la propiedad durante la operación del sistema. ENERPAC no puede ser responsable de daños o lesiones que resulten de no usar el producto de forma segura, falta de mantenimiento o aplicación incorrecta del producto y/u operación del sistema. Comuníquese con ENERPAC si tuviese dudas sobre las precauciones de seguridad o sobre las aplicaciones. Si nunca ha sido capacitado en seguridad hidráulica de alta presión, consulte a su distribuidor o centro de servicio para obtener un curso de seguridad gratis denominado ENERPAC Hydraulic.

El no cumplir con las siguientes precauciones y advertencias podría causar daños al equipo y lesiones personales.

Una **PRECAUCIÓN** se utiliza para indicar procedimientos y prácticas de operación o mantenimiento correctos para evitar daños o la destrucción de equipo u otra propiedad.

Una **ADVERTENCIA** indica un potencial peligro que requiere de procedimientos o prácticas correctos para evitar lesiones personales.

Un **PELIGRO** se utiliza sólo cuando su acción o falta de acción podría causar lesiones graves o incluso la muerte.



ADVERTENCIA: Use el equipo de protección personal adecuado cuando opere equipo hidráulico.



ADVERTENCIA: Manténgase alejado de las cargas soportadas por sistemas hidráulicos. Cuando un cilindro se utiliza como dispositivo para levantar carga, nunca debería usarse como dispositivo para



sostener carga. Después de que la carga haya sido levantada o descendida, debe bloquearse siempre en forma mecánica.



ADVERTENCIA: USE SÓLO PIEZAS RÍGIDAS PARA SOSTENER CARGAS.

Seleccione cuidadosamente bloques de acero o de madera capaces de soportar la carga. Nunca use un cilindro hidráulico como calza o separador en aplicaciones de levantamiento o presión.



PELIGRO: Para evitar lesiones personales, mantenga las manos y los pies alejados del cilindro y pieza de trabajo durante la operación.



ADVERTENCIA: No sobrepase el valor nominal del equipo. Nunca intente levantar una carga que pese más de la capacidad del cilindro. Las sobrecargas ocasionan fallas del equipo y posibles lesiones personales. Los cilindros están diseñados para resistir una presión máxima de 700 bar. No conecte un gato o cilindro a una bomba cuyo valor nominal de presión es mayor que el indicado.



PELIGRO: Nunca fije la válvula de seguridad a una presión más alta que el máximo valor nominal de presión de la bomba. Los ajustes más altos pueden resultar en daños al equipo y/o lesiones personales. No remover la válvula de seguridad.



ADVERTENCIA: La presión de operación del sistema no debe sobrepasar el valor nominal de presión del componente con el valor nominal más bajo en el sistema.

Instale manómetros de presión en el sistema para vigilar la presión de operación. Es su ventana a lo que está sucediendo en el sistema.



PRECAUCIÓN: Evite dañar la manguera hidráulica.

Evite pliegues y curvas agudos al guiar las mangueras hidráulicas. Usar una manguera con pliegues o curvas puede causar severa contrapresión. Los pliegues y curvas agudos causarían daños internos la manguera, lo que ocasionará que ésta falle prematuramente.



No deje caer objetos pesados sobre la manguera. Un impacto directo puede causar daños internos a las hebras de alambre de la manguera. Aplicar presión a una manguera dañada puede ocasionar que se quiebre.



IMPORTANTE: No levante el equipo hidráulico por las mangueras o acopladores giratorios. Use el mango de transporte u otros medios para transportarla con seguridad.



PRECAUCIÓN: Mantenga el equipo hidráulico alejado de las llamas y el calor. El calor en exceso ablandará las juntas y sellos, lo que resultará en fugas de líquidos. Asimismo, el calor debilita los materiales de la manguera y juntas. Para lograr un rendimiento óptimo, no exponga el equipo a temperaturas de 65 °C [150 °F] o mayores. Proteja las mangueras y cilindros de salpicaduras de soldadura.



PELIGRO: No manipule mangueras bajo presión. El aceite que escape bajo presión puede penetrar la piel y causar lesiones graves. Si se inyecta aceite bajo la piel, consulte a un médico inmediatamente.



ADVERTENCIA: Use cilindros hidráulicos únicamente en sistemas acoplados. Nunca use un cilindro si los acopladores no están conectados. Si el cilindro se sobrecarga, los componentes pueden fallar calamitosamente, lo que causará lesiones personales graves.



ADVERTENCIA: Asegurese que el equipo sea antes de levantar la carga. El cilindro debe colocarse sobre una

superficie plana capaz de soportar la carga. De ser necesario, utilice una base de cilindro para mayor estabilidad. No suelde ni modifique el cilindro en modo alguno para fijarle una base u otro medio de soporte.



Evite las situaciones en las cuales las cargas no estén directamente centradas sobre el émbolo del cilindro. Las cargas descentradas producen un esfuerzo considerable sobre los cilindros y los émbolos. Adeás, la carga podría resbalar o caerse, creando situaciones potencialmente peligrosas.



Distribuya la carga uniformemente sobre la superficie total del asiento del cilindro. Siempre utilice un asiento para proteger el émbolo cuando no se usen accesorios roscados.



IMPORTANTE: Únicamente técnicos calificados en sistemas hidráulicos habrán de prestarle servicio al equipo hidráulico. Comuníquese con el Centro de Servicio ENERPAC autorizado en su zona para prestarle servicio de reparaciones. Use únicamente aceite ENERPAC a fin de proteger su garantía.



ADVERTENCIA: Reemplace inmediatamente las piezas gastadas o dañadas por piezas ENERPAC genuinas. Las piezas de clasificación estándar se romperán, lo que causará lesiones personales y daños a la propiedad. Las piezas ENERPAC están diseñadas para encajar debidamente y resistir altas cargas.



ATENCIÓN: Siempre acarree la bomba tomándola del asa. Si la acarrea de la manguera puede dañar la manguera y/o la bomba.

ESPECIFICACIONES – Use esta hoja de instrucciones para los siguientes modelos de bombas manuales.						
Especificaciones						
Modelo	Tipo (velocidad)	Presión máxima psi [bar]		Volumen de aceite por embolada pulg ³ [cm ³]		Capacidad de aceite pulg ³ [cm ³]
EHF-65	1	6,500 [440]		.16 [2.62]		22 [360]
P-18	1	2,850 [200]		.16 [2.62]		22 [360]
P-25	1	2,500 [170]		.58 [9.51]		231 [3786]
P-39, 1003	1	10,000 [700]		.16 [2.62]		43 [705]
P-50	1	5,000 [340]		.29 [4.75]		231 [3786]
P-51	1	3,000 [210]		.25 [4.09]		50 [820]
P-141, 1001	1	10,000 [700]		.055 [9.0]		20 [328]
P-391, 1004	1	10,000 [700]		.151 [2.47]		55 [900]
		Etapa 1	Etapa 2	Etapa 1	Etapa 2	
P-80, 1006	2	350 [25]	10,000 [700]	.99 [16.23]	.15 [2.46]	140 [2295]
P-84	2	350 [25]	10,000 [700]	.99 [16.23]	.15 [2.46]	140 [2295]
P-142, 1002	2	200 [14]	10,000 [700]	.221 [3.62]	.055 [9.0]	20 [328]
P-142AL	2	200 [14]	10,000 [700]	.221 [3.62]	.055 [9.0]	9.0 [148]
P-202	2	200 [14]	10,000 [700]	.221 [3.62]	.055 [9.0]	55 [900]
P-77	2	200 [14]	10,000 [700]	.63 [16.0]	.094 [2.41]	47 [769]
P-392, 1005	2	200 [14]	10,000 [700]	.687 [11.26]	.151 [2.47]	55 [900]
P-392AL	2	200 [14]	10,000 [700]	.687 [11.26]	.151 [2.47]	55 [900]
P-462	2	200 [14]	10,000 [700]	7.69 [126.00]	.29 [4.75]	462 [7572]
P-464	2	200 [14]	10,000 [700]	7.69 [126.00]	.29 [4.75]	462 [7572]
P-801	2	350 [25]	10,000 [700]	.99 [16.23]	.15 [2.46]	250 [4095]
P-802	2	400 [28]	10,000 [700]	2.40 [39.34]	.15 [2.46]	155 [2540]
P-842	2	400 [28]	10,000 [700]	2.40 [39.34]	.15 [2.46]	155 [2540]

3.0 DESCRIPCION

3.1 Modelos P-141, 1001/P-142, 1002/P-202/P-391, 1004/P-392, 1005/P-802/P-842

La Figura 1 y la tabla correspondiente a continuación muestran los componentes principales de los modelos de bombas manuales P-141, P-142, P-202, P-391, P-392, P-802, y P-842. La tapa de doble propósito de ventilación/llenado actúa como una válvula de alivio de presión en el caso de ocurrir una presurización accidental del depósito. Para proveer una conexión de acceso en la parte trasera del depósito para las válvulas remotas, use un conjunto de retorno al tanque. Vea la tabla a continuación para los números de modelos de los conjuntos.

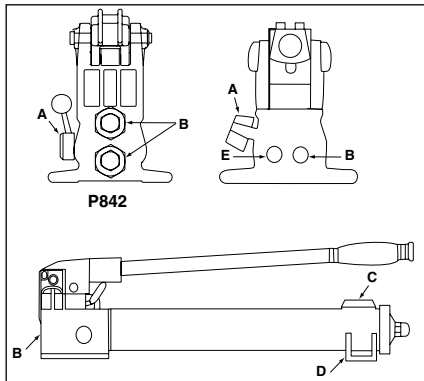


Figura 1

3.2 Modelos P-18/P-39, 1003/P-80, 1006/P-84/P-801, P77

La Figura 2 y la tabla correspondiente a continuación muestran los componentes principales de estos modelos de bombas manuales. Los modelos P-84 están equipados con una válvula de 4 vías y 3 posiciones para uso con cilindros de doble efecto. Para convertir los modelos P-18 ó P-39 a accionamiento por pedal, pida el conjunto PC-10.

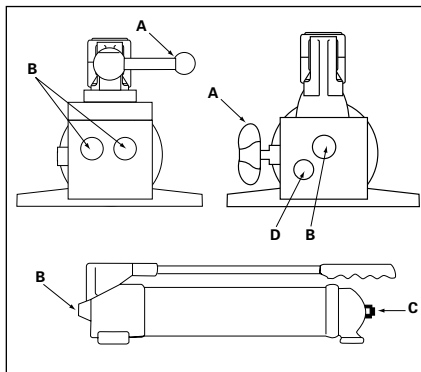


Figura 2



ADVERTENCIA: Estas bombas funcionan con un depósito sin ventilación. Si el depósito es sometido a alta presión, la envuelta puede romperse y causar lesiones personales y/o daños al equipo. NUNCA trate de devolver más aceite al depósito del que es capaz de contener.

Tabla 1

Fig. 1	P-141, 1001	P-142, 1002	P-202	P-391, 1004	P-392, 1005	P-802	P-842
A	Válvula de alivio	Válvula de alivio	Válvula de alivio	Válvula de alivio	Válvula de alivio	Válvula de alivio	Válvula de 4 vías
B	Conexión de salida 1/4 NPTF	Conexión de salida 1/4 NPTF	Conexión de salida 1/4 NPTF	Conexión de salida 3/8 NPTF	Conexión de salida 3/8 NPTF	Conexión de salida 3/8 NPTF	Conexión de salida 3/8 NPTF
C	Tapa de ventilación/llenado	Tapa de ventilación/llenado	Tapa de ventilación/llenado	Tapa de ventilación/llenado	Tapa de ventilación/llenado	Tapa de ventilación/llenado	Tapa de ventilación/llenado
D	Ranuras de montaje	Ranuras de montaje	—	—	—	Ranuras de montaje	Ranuras de montaje
E	—	—	—	—	—	Retorno al depósito	—
Conjunto de retorno al tanque	PC-20	PC-20	PC-25	PC-25	PC-25	—	—

Tabla 2

Fig. 2	P-18	P-39, 1003	P-77	P-80, 1006	P-84	P-801
A	Válvula de alivio	Válvula de alivio	Válvula de alivio	Válvula de alivio	Válvula de 4 vías y 3 posiciones	Válvula de alivio
B	Conexión de salida 3/8 NPTF	Conexión de salida 3/8 NPTF	Conexión de salida 3/8 NPTF	Conexión de salida 3/8 NPTF	Conexión de salida 3/8 NPTF	Conexión de salida 3/8 NPTF
C	Tapón de	Tapón de	Tapón de	Tapón de	Tapón de	Tapón de
D	—	—	—	etorno al depósito 1/4 NPTF	—	etorno al depósito 1/4 NPTF

3.3 Modelos P-462 y P-464

La Figura 3 y la tabla a continuación muestran las características principales de los modelos de bombas manuales P-462 para uso con cilindros de simple efecto y P-464 para uso con cilindros de doble efecto.

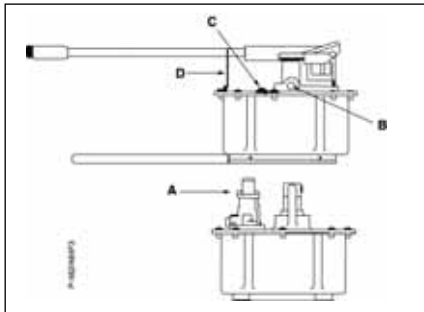


Figura 3, Modelos P-462 y P-464

Tabla 3		
Fig. 3	P-462	P-464
A	Válvula de 3 vías y 2 posiciones	Válvula de 4 vías y 3 posiciones
B	Conexión de salida 3/8 NPTF	Conexión de salida 3/8 NPTF
C	Tapón de ventilación/llenado	Tapón de ventilación/llenado
D	Grapa de asa	Grapa de asa

3.4 Modelos P-25, P-50 y P-51

La Figura 4 muestra los modelos de bombas manuales P-25 y P-50, los cuales están equipados con una palanca que funciona en ambos sentidos. La Figura 5 en la página muestra la bomba manual P-51. En la tabla a continuación se detallan los componentes principales de estas bombas.

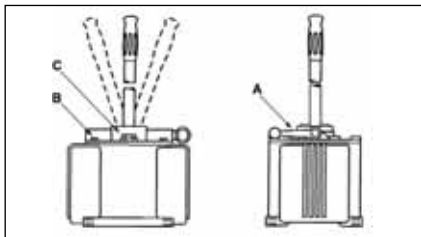


Figura 4, Modelos P-25 y P-50

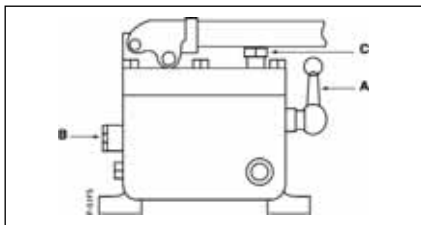


Figura 5, Model o P-51

Tabla 4 y 5			
Fig.4/5	P-25	P-50	P-51
A	Válvula de alvivi	Válvula de alvivi	Válvula de alvivi
B	Conexión de salida1/4 NPTF	Conexión de salida1/4 NPTF	Conexión de 1salida/4 NPTF
C	Tapón de ventilación/llenado	Tapón de ventilación/llenado	Tapón de ventilación/llenado

4.0 INSTALACION

4.1 Conexión de la bomba

1. Enrosque la manguera en la salida de la bomba. Ponga 1 1/2 vueltas de cinta de teflón (o sellador de roscas adecuado) en los racores de la manguera, dejando el primer hilo de rosca sin encantar para asegurar que no se desprenda pedazos de cinta y entren al sistema hidráulico y causen daño. Recorte las puntas sueltas.
2. Instale un manómetro en línea desde la bomba para mayor seguridad y mejor control.
3. Conecte la(s) manguera(s) a su cilindro o herramienta.

NOTA: Para cilindros de simple efecto, conecte una manguera de la bomba al cilindro. Para cilindros de doble efecto, conecte dos mangueras. Conecte una manguera de la conexión de presión de la bomba a la conexión de presión del cilindro. Conecte otra manguera de la conexión de retracción de la bomba a la conexión de retracción del cilindro.

4.2 Ventilación de la bomba

Vea la tabla a continuación para determinar si su bomba debe funcionar con un depósito con ventilación o uno sin ventilación. Las bombas con ventilación proporcionan un rendimiento ligeramente mejor. Para las bombas con depósitos de nylon, gire la tapa de ventilación/llenado 1/4 de vuelta en sentido contrahorario para la ventilación. Para las demás bombas, vea la calcomanía en la bomba. Cierre la ventilación antes de transportar la bomba para impedir el escape de aceite. P-80, P-801, y P-84 se ceban girando la válvula contra las agujas del reloj. Para cerrar el cebado, girar la válvula según las agujas del reloj.

OPCIONES DE VENTILACION

EHF-65	sin ventilación	P-202	cu cualquiera de los dos
P-18	sin ventilación	P-391, 1004	cu cualquiera de los dos
P-25	cu cualquiera de los dos	P-77	con ventilación
P-39, 1003	sin ventilación	P-392, 1005	cu cualquiera de los dos
P-50	cu cualquiera de los dos	P-392AL	con ventilación
P-51	con ventilación	P-462	con ventilación
P-80, 1006	cu cualquiera de los dos	P-464	con ventilación
P-84	cu cualquiera de los dos	P-801	sin ventilación
P-141, 1001	cu cualquiera de los dos	P-802	cu cualquiera de los dos
P-142, 1002	cu cualquiera de los dos	P-842	cu cualquiera de los dos
P-142AL	sin ventilación		

4.3 Posición de la bomba

Vea la tabla a continuación para determinar la posición correcta de funcionamiento de su bomba, horizontal o vertical. La P-80, P-801, y la P-84 no podrán cebarse cuando estén trabajando verticalmente.

POSICION DE FUNCIONAMIENTO	
EHF-65 cualquiera de los dos	P-202 cualquiera de los dos
P-18 cualquiera de los dos	P-391, 1004 cualquiera de los dos
P-25 horizontal solamente	P-77 cualquiera de los dos
P-39, 1003 cualquiera de los dos	P-392, 1005 cualquiera de los dos
P-50 horizontal solamente	P-392AL cualquiera de los dos
P-51 horizontal solamente	P-462 horizontal solamente
P-80, 1006 cualquiera de los dos	P-464 horizontal solamente
P-84 cualquiera de los dos	P-801 cualquiera de los dos
P-141, 1001 cualquiera de los dos	P-802 cualquiera de los dos
P-142, 1002 cualquiera de los dos	P-842 cualquiera de los dos
P-142AL cualquiera de los dos	

NOTA: Cuando se hace funcionar la bomba en posición vertical, el extremo de la manguera debe estar apuntando hacia abajo, de lo contrario la bomba chupará aire y su presión no aumentará adecuadamente.

5.0 FUNCIONAMIENTO

5.1 Antes de usar la bomba

1. Revise todos los racores y conexiones del sistema para asegurar que estén apretados y sin fugas.
2. Revise el nivel de aceite en el depósito antes de hacer funcionar la bomba. Vea "Adición de aceite a la bomba" en la página 35.



ATENCION: NUNCA añada extensiones a la palanca de la bomba. Las extensiones causan el funcionamiento inestable de la bomba.



ADVERTENCIA: En ciertas situaciones la palanca de la bomba puede dar un "contragolpe". Siempre mantenga el cuerpo a un lado de la bomba, lejos de la línea de fuerza de la palanca.

NOTA: Para reducir el esfuerzo de la palanca a alta presión, acci6nala en tramos cortos. Se obtiene máxima fuerza en los últimos 5 grados de la carrera.

5.2 Utilización de bombas de dos velocidades

Estas bombas proporcionan un caudal de 2 etapas. Sin carga, la bomba funciona en la primera etapa de caudal alto. Cuando se hace contacto con la carga, la bomba automáticamente cambia a la segunda etapa para aumentar la presión. **Para los modelos P-462 ó P-464**, cuando la presión de la bomba llega aproximadamente a 200 psi (14 bar), debe parar momentáneamente de bombear y levantar la palanca para cambiar a la etapa de presión alta. **Para los modelos P-802 ó P-842**, cuando la presión de la bomba llega aproximadamente a 400 psi (28 bar), debe parar momentáneamente de bombear y levantar la palanca para cambiar a la etapa de presión alta. Después que la bomba cambie, se necesita hacer menos esfuerzo para bombear.

NOTA: Para mejor rendimiento, accione la palanca de la bomba a velocidad moderada durante la primera etapa de caudal alto. La velocidad rápida de la palanca en la primera etapa impedirá que la bomba alimente el volumen total de aceite.

5.3 Aplicaciones de simple efecto con válvula de alivio

1. Cierre la válvula de alivio girándola en sentido horario, como se muestra en la Figura 6.

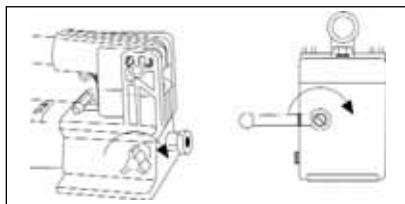


Figura 6



ATENCION: Cierre la válvula de alivio apretándola a mano **SOLAMENTE**. El uso de herramientas puede dañar la válvula y averiar la bomba.

2. Accione la palanca de la bomba para alimentar potencia hidráulica al sistema. Se mantendrá la presión hasta que se abra la válvula de alivio.
3. Abra la válvula de alivio (en sentido contrahorario) para quitar presión, dejando que el aceite fluya de vuelta al depósito.

5.4 Aplicaciones de simple efecto con válvula manual de 3 vías y 2 posiciones

1. Cambie la palanca de la válvula a la posición 1 como se muestra en la Figura 7.
2. Accione la palanca de la bomba para alimentar potencia hidráulica al sistema. Se mantendrá la presión hasta que cambie la válvula de posición.
3. Para que el aceite regrese al depósito, cambie la palanca de la válvula a la posición 2.

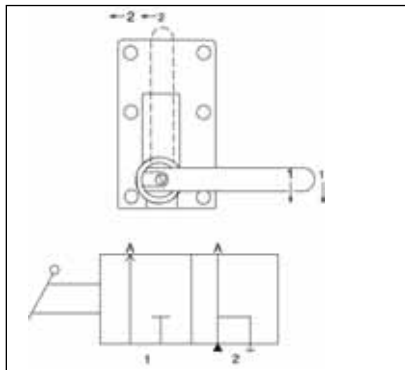


Figura 7

5.5 Aplicaciones de doble efecto con 6.0 PURGA DEL AIRE válvula manual de 4 vías y 3 posiciones

Las bombas con válvulas de control de 4 vías están diseñadas para accionar cilindros de doble efecto. Vea la Figura 8 en la página 13 para las posiciones de la válvula.

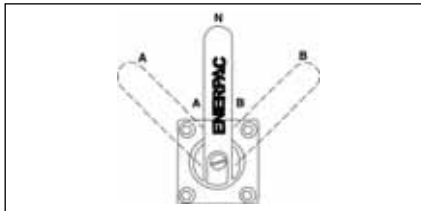


Figura 8a

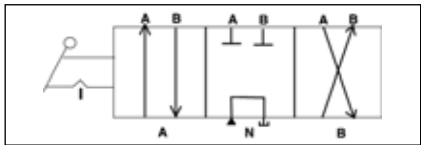


Figura 8b

11. Coloque la palanca en la válvula de 4 vías para seleccionar la función de la siguiente manera:

(A) Paso al orificio "A"; el orificio "B" devuelve el aceite al depósito

(N) Neutro; los orificios "A" y "B" están bloqueados

(B) Paso al orificio "B"; el orificio "A" devuelve el aceite al depósito

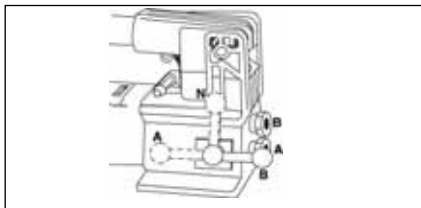


Figura 8c

2. Haga funcionar la bomba para realizar el trabajo.
3. Cambie las posiciones de la válvula según sea necesario.



ADVERTENCIA: Haga funcionar el cilindro de doble efecto solamente cuando las dos mangueras están conectadas a la bomba. Si se deja un acoplador desconectado, se acumulará alta presión detrás del acoplador lo que podría causar lesiones corporales y/o daño al equipo.

5.6 Ajuste de la válvula de alivio

Todas las bombas tienen una válvula de alivio ajustada en la fábrica para impedir la sobrepresurización del sistema. Se pueden obtener ajustes de presión más bajos. Póngase en contacto con el centro de servicio autorizado Enerpac.

La purga del aire del sistema hidráulico permitirá que el cilindro se extienda y se retraiga suavemente. Vea la Figura 9.

6.1 Bomba con cilindro de simple efecto (A)

1. Abra el respiradero del depósito de la bomba (para bombas con ventilación solamente) y cierre la válvula de alivio.
2. Coloque la bomba más elevada que el cilindro.
3. Coloque el cilindro con el extremo del émbolo hacia abajo (arriba en caso de cilindro de tracción). Vea la Figura 9.
4. Haga funcionar la bomba para extender totalmente el cilindro (retraer en caso de cilindro de tracción).
5. Abra la válvula de alivio para retraer el cilindro (extender en caso de cilindro de tracción). Esto empujará el aire retenido hacia el depósito de la bomba.
6. Repita los pasos anteriores según sea necesario.
7. Añada aceite si es necesario. Vea la página 35.
8. Vuelva a poner la tapa de ventilación/llenado en posición de funcionamiento.

6.2 Bomba con cilindro de doble efecto (B)

1. Abra el respiradero del depósito de la bomba (para bombas con ventilación solamente).
2. Coloque la bomba más elevada que el cilindro.
3. Ponga el cilindro en posición horizontal con las conexiones hacia arriba. Vea la Figura 9.
4. Extienda y retraiga totalmente el cilindro 2 a 3 veces.
5. Repita los pasos anteriores según sea necesario.
6. Añada aceite si es necesario. Vea la página 35.
7. Vuelva a poner la tapa de ventilación/llenado en posición de funcionamiento.

7.0 MANTENIMIENTO

Use únicamente aceite hidráulico Enerpac con estas bombas para prolongar la duración de la bomba y proteger su garantía. Los juegos de sellos Viton y EPR están disponibles para algunas bombas manuales. Para más información acerca de estos productos y sus aplicaciones, póngase en comunicación con el representante de Enerpac.

7.1 Adición de aceite a la bomba

Revise el nivel de aceite regularmente.



ADVERTENCIA: Siempre añada aceite con los cilindros totalmente retraídos (extendidos en el caso de cilindros de tracción) de lo contrario el sistema sobrepasará la capacidad de aceite del depósito.

1. Quite la tapa de ventilación/llenado del depósito.
2. Llene el depósito solamente hasta la marca de nivel indicada en la bomba.

- Purgue el aire del sistema si es necesario. Vea la página 51. Vuelva a revisar el nivel de aceite después de purgar el aire.
- Vuelva a poner la tapa de ventilación/llenado en la posición apropiada.

NOTA: Las bombas manuales sin ventilación requieren aire en el depósito para funcionar correctamente. Si el depósito está totalmente lleno, se formará un vacío que impedirá la salida de aceite de la bomba.

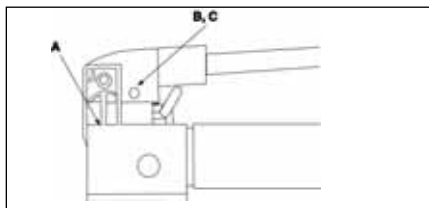


Figura 10

7.2 Limpieza de las líneas de aceite

Cuando se desconecte las mitades del acoplador, siempre coloque tapas guardapolvo. Tome todas las precauciones debidas para proteger la bomba contra la entrada de suciedad. La materia extraña puede causar la falla de la bomba, el cilindro o la válvula..

7.3 Lubricación de la bomba

Para prolongar la duración de la bomba y mejorar su rendimiento, lubrique el pasador de soporte (A), pasador transversal (B) y la cabeza del pistón (C) regularmente con grasa para cojinetes de rodillos. Vea la Figura 10 a continuación.

7.4 Cambio del aceite

- Cada 12 meses, vacíe todo el aceite y vuelva a llenar con aceite Enerpac. Si la bomba funciona en ambientes sucios, cambie el aceite más frecuentemente.
- Quite la tapa de ventilación/llenado del depósito.
- Incline la bomba para vaciar el aceite viejo.
- Llene el depósito solamente hasta la marca de nivel indicada en la bomba.
- Vuelva a poner el tapón o tapa de ventilación/llenado.
- Deseche el aceite viejo como es debido.

8.0 GUIA DE LOCALIZACION DE AVERIAS

La información siguiente está destinada sólo a ayudar a determinar si existe alguna avería. Para las reparaciones, diríjase al centro de servicio autorizado Enerpac de su zona.

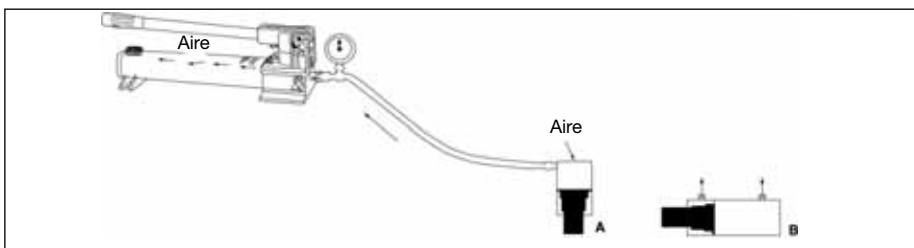


Figure 9

GUIA DE LOCALIZACION DE AVERIAS		
Problema	Causa posible	Solución
El cilindro no se extiende, lo hace lentamente o irregularmente.	<ol style="list-style-type: none"> Bajo nivel de aceite en la bomba. La válvula de alivio está abierta. El acoplador hidráulico está suelto. La carga es demasiado pesada. Aire retenido en el sistema Atascamiento del émbolo del cilindro. 	<ol style="list-style-type: none"> Añada aceite de acuerdo a las instrucciones de Mantenimiento en la página 35. Cierre la válvula de alivio. Revise que todos los acopladores estén totalmente apretados. No trate de izar más del tonelaje nominal. Purgue el aire de acuerdo a las instrucciones en la página 35. Revise si el cilindro está dañado. Pida que lo repare un técnico experto en sistemas hidráulicos.
El cilindro se extiende, pero no retiene la presión	<ol style="list-style-type: none"> Fugas en las conexiones. Fugas en los sellos. Fuga interna en la bomba. 	<ol style="list-style-type: none"> Revise que todas las conexiones estén apretadas y sin fugas. Ubique la(s) fuga(s) y haga reparar el equipo por un técnico experto en sistemas hidráulicos. Haga reparar la bomba por un técnico experto en sistemas hidráulicos.
El cilindro no se retrae, lo hace parcialmente o más lentamente que lo normal.	<ol style="list-style-type: none"> Válvula de alivio cerrada. El depósito de la bomba está lleno en exceso. El acoplador hidráulico está suelto Aire retenido en el sistema. D.I. de la manguera demasiado estrecho. El resorte de retracción del cilindro está roto o existe otro daño en el cilindro. 	<ol style="list-style-type: none"> Abra la válvula de alivio. Vacíe el aceite hasta la marca "full" (lleno). Vea las instrucciones en la página 35. Revise que todos los acopladores estén totalmente apretados. Purgue el aire de acuerdo a las instrucciones en la página 35. Use una manguera hidráulica de mayor diámetro. Haga reparar el cilindro por un técnico experto en sistemas hidráulicos.

L1763 Rev I 03/09

Reparatie/Onderdelenlijsten voor deze produkten zijn te downloaden van de Enerpac Website www.enerpac.com of verkrijgbaar via uw Enerpac Service Centre of vertegenwoordiger.

1.0 BELANGRIJKE INSTRUCTIES BIJ ONTVANGST

Controleer visueel alle onderdelen op schade opgelopen tijdens de verzending. Schade opgelopen tijdens de verzending wordt niet door de garantie gedekt. Als schade opgelopen tijdens de verzending wordt gevonden, de transporteur hier onmiddellijk van op de hoogte stellen. De transporteur is verantwoordelijk voor alle reparatie- of vervangingskosten als gevolg van opgelopen schade tijdens de verzending.

VEILIGHEID VOOROP

2.0 VEILIGHEIDSKWESTIES



Lees nauwkeurig alle instructies, waarschuwingen en let op gedeelten. Volg alle veiligheidsvoorzieningen om

persoonlijk letsel of schade aan eigendom te voorkomen als het systeem in werking is. Enerpac kan niet verantwoordelijk worden gesteld voor schade of letsels als gevolg van onveilig gebruik van dit product, gebrek aan onderhoud, of onjuiste toepassing van het product of het systeem. Neem contact op met Enerpac mocht u twijfels hebben over veiligheidsvoorzieningen en werkingen. Als u nooit een opleiding in hogedruk hydraulische veiligheid hebt gevolgd neem dan contact om met uw verdeel- of servicecentrum voor een gratis veiligheidskursus van Enerpac Hydraulic.

Het niet volgen van deze waarschuwing sboodschappen en voorzorgsmaatregelen kan schade aan de machine en persoonlijk letsel veroorzaken.

LET OP wordt gebruikt om correcte bedienings- en onderhoudsprocedures en praktijken aan te duiden om schade aan, of vernietiging van, machines of andere eigendom te voorkomen.

WAARSCHUWING wijst op een mogelijk gevaar dat de juiste procedures en praktijken vereist om persoonlijk letsel te voorkomen.

GEVAAR wordt enkel gebruikt als uw actie of gebrek aan actie ernstig letsel of zelfs de dood tot gevolg kan hebben.



WAARSCHUWING: Draag de juiste persoonlijke beschermende kleding bij het werken met hydraulische machines.



WAARSCHUWING: Blijf uit de buurt van ladingen die hydraulisch worden ondersteund. Een cilinder die wordt gebruikt als een hefrichting mag nooit worden gebruikt als een lasthouder. Nadat de lading omhoog of omlaag is gebracht, moet deze altijd mechanisch worden geblokkeerd.



WAARSCHUWING: GEBRUIK ENKEL STIJVE MATERIALEN OM DE LADINGEN VAST TE HOUDEN. Kies met zorg stalen of houten blokken die een lading kunnen ondersteunen. Gebruik nooit een hydraulische cilinder als een pakkingschijf of een afstandstuk in enige toepassing waarbij opheffen of drukken wordt gebruikt.



GEVAAR: Om persoonlijk letsel te voorkomen, handen en voeten weghouden van de cilinder en het werkstuk tijdens de bediening.



WAARSCHUWING: Niet de nominale waarden van de machines overschrijden. Probeer nooit om een lading op te heffen die meer weegt dan de capaciteit van de cilinder. Overladen veroorzaakt falen van de machine en mogelijk persoonlijk letsel. De cilinders zijn ontworpen voor een maximale druk van 700 bar. Geen vijzel of cilinder op een pomp aansluiten die een hogere drukwaarde heeft.



GEVAAR: Nooit de ontlastklep instellen op een hogere druk dan de maximaal nominale druk van de pomp. Hogere instellingen kunnen schade aan de machine en/of persoonlijk letsel tot gevolg hebben. Verwijder niet de ontlastklep.



WAARSCHUWING: De bedieningsdruk van het systeem mag de nominale drukwaarde van het onderdeel met de laagste waarde in het systeem niet overschrijden. Installeer drukmeters in het systeem om de bedieningsdruk te controleren. Op die manier weet u wat er in het systeem gebeurt.



LET OP: De hydraulische slang niet beschadigen. Vermijd ombuigen en knikken bij het aanbrengen van de hydraulische slangen. Een gebogen of geknikte slang gebruiken kan ernstige tegendruk van de afvoerstroam veroorzaken. Scherpe ombuigingen en knikken beschadigen de slang aan de binnenkant wat tot vroegtijdig falen van de slang kan leiden.



Geen zware objecten op de slang laten vallen. Een scherpe impact kan interne schade aan de draadvezels van de slang veroorzaken. Druk uitoefenen op een slang die beschadigd is, kan scheuren van de slang tot gevolg hebben.



BELANGRIJK: Hydraulische machines niet bij de slangen of de wartelkoppelingen opheffen. Gebruik de draaghandgreep of een ander middel om de machine veilig te transporteren.



LET OP: Houd de hydraulische machine weg van vlammen en hitte. Buitenmatige hitte verzacht de pakkingen en afdichtingen wat tot vloeistoflekken kan leiden. Hitte verzwakt ook slangmaterialen en pakkingen. Voor optimale prestaties de machines niet blootstellen aan temperaturen van 65°C (150°F) of hoger. Bescherm slangen en cilinders tegen lasspeters.



GEVAAR: Slangen die onder druk staan, niet aanraken. Als olie die onder druk staat ontsnapt, kan het door de huid dringen wat ernstige letsel kan veroorzaken. Als olie onder de huid wordt geïnjecteerd, onmiddellijk een arts raadplegen.



WAARSCHUWING: Gebruik hydraulische cilinders enkel in een aangesloten systeem. Nooit een cilinder gebruiken met koppelingen die niet aangesloten zijn. Als de cilinder uiterst overladen is, kunnen onderdelen op een catastrofische manier falen wat ernstig persoonlijk letsel kan veroorzaken.



WAARSCHUWING: Zorg dat de apparatuur stabiel is opgezet alvorens lasten te heffen. De cilinder dient op een vlakke ondergrond geplaatst te worden die de last kan dragen. Gebruik waar mogelijk een ondersteuning voor de cilinder voor extra stabiliteit. De cilinder mag niet gelast of op een andere manier aangepast worden voor het bevestigen van een voetstuk of andere ondersteuning.



Vermijd situaties, waarbij de last niet aangrijpt in het hart van de cilinderplunjer. Niet-centrisch aangrijpende lasten veroorzaken aanzienlijke spanningen in de cilinder en de plunjer. Bovendien kan de last wegglijden of vallen, wat tot gevaarlijke situaties leidt.



Verdeel de last gelijkmatig over het gehele zadeloppervlak. Gebruik altijd een zadel om de plunjer te beschermen, wanneer geen hulpstukken met schroefdraad worden gebruikt.



BELANGRIJK: Hydraulische machines mogen enkel door een bevoegd hydraulisch technicus van onderhoud worden voorzien. Voor reparaties dient u contact op te nemen met een nabijgelegen bevoegd ENERPAC servicecentrum. Om uw garantie te beschermen, enkel ENERPAC olie gebruiken.

SPECIFICATIES – Deze handleiding is bedoeld voor de volgende handpompen.

SPECIFICATIES						
Model	Type (Snelheid)	Toelaatbare Druk psi [bar]		Olie Volume per Slag in ³ [cm ³]		Nuttige Inhoud Olietank in ³ [cm ³]
EH-65	1	6,500 [440]		.16 [2.62]		22 [360]
P-18	1	2,850 [200]		.16 [2.62]		22 [360]
P-25	1	2,500 [170]		.58 [9.51]		231 [3786]
P-39, 1003	1	10,000 [700]		.16 [2.62]		43 [705]
P-50	1	5,000 [340]		.29 [4.75]		231 [3786]
P-51	1	3,000 [210]		.25 [4.09]		50 [820]
P-141, 1001	1	10,000 [700]		.055 [.90]		20 [328]
P-391, 1004	1	10,000 [700]		.151 [2.47]		55 [900]
		1 E Trap	2 E Trap	1 E Trap	2 E Trap	
P-80, 1006	2	350 [25]	10,000 [700]	.99 [16.23]	.15 [2.46]	140 [2295]
P-84	2	350 [25]	10,000 [700]	.99 [16.23]	.15 [2.46]	140 [2295]
P-142, 1002	2	200 [14]	10,000 [700]	.221 [3.62]	.055 [.90]	20 [328]
P-142AL	2	200 [14]	10,000 [700]	.221 [3.62]	.055 [.90]	9.0 [148]
P-202	2	200 [14]	10,000 [700]	.221 [3.62]	.055 [.90]	55 [900]
P-77	2	200 [14]	10,000 [700]	.63 [16.0]	.094 [2.41]	47 [769]
P-392, 1005	2	200 [14]	10,000 [700]	.687 [11.26]	.151 [2.47]	55 [900]
P-392AL	2	200 [14]	10,000 [700]	.687 [11.26]	.151 [2.47]	55 [900]
P-462	2	200 [14]	10,000 [700]	7.69 [126.00]	.29 [4.75]	462 [7572]
P-464	2	200 [14]	10,000 [700]	7.69 [126.00]	.29 [4.75]	462 [7572]
P-801	2	350 [25]	10,000 [700]	.99 [16.23]	.15 [2.46]	250 [4095]
P-802	2	400 [28]	10,000 [700]	2.40 [39.34]	.15 [2.46]	155 [2540]
P-842	2	400 [28]	10,000 [700]	2.40 [39.34]	.15 [2.46]	155 [2540]



WAARSCHUWING: Versleten of beschadigde onderdelen onmiddellijk met authentieke ENERPAC onderdelen vervangen. Standaardonderdelen breken, wat tot persoonlijk letsel en schade aan eigendom kan leiden. ENERPAC onderdelen zijn zodanig ontworpen dat ze precies passen en hoge ladingen kunnen weerstaan.

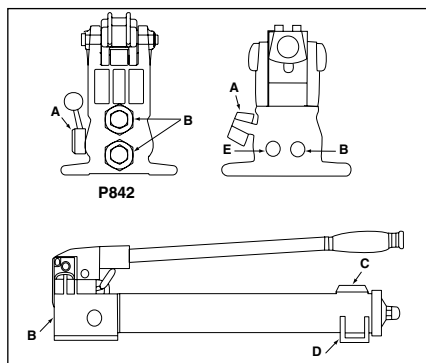


VOORZICHTIG: Draag de pomp ALTIJD aan het handvat. Als de pomp aan de slang wordt gedragen of gesleept, kan de slang en de pomp beschadigd raken.

3.0 OMSCHRIJVING

3.1 Model P-141, 1001/P142, 1002/P-202/P-391, 1004/P-392, 1005/P-802, P-842

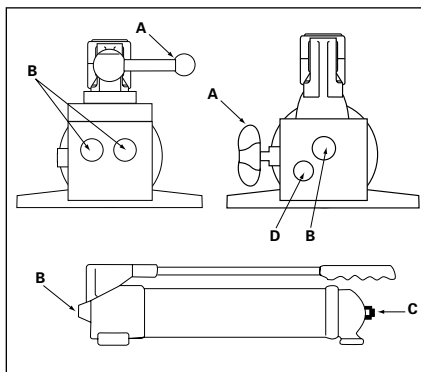
In afbeelding 1 en de bijbehorende tabel daaronder worden de hoofdonderdelen van handpompen P-141, P-142, P-202, P-391, P-392, P-802 en P-842 weergegeven. De ontlast-/vuldop met dubbele functie werkt als een drukontlastventiel bij onvoorzien drukverhoging in het reservoir. Om te voorzien in een toegangspoort aan de achterkant van het reservoir voor op afstand bediende kleppen, kunt u een tankterugloop-set gebruiken. Zie onderstaande tabel voor het modelnummer van de sets.



Afbeelding 1

3.2 Model P-18/P-39, 1003/P-80, 1006/P-84/P-801, P-77

In afbeelding 2 en de bijbehorende tabel daaronder worden de hoofdonderdelen van deze handpompen weergegeven. De P-84 is uitgerust met een 4-weg klep met 3 standen voor gebruik met dubbelwerkende cilinders. Voor het ombouwen van model P-18 of P-39 voor voetbediening bestelt u set PC-10.



Afbeelding 2



WAARSCHUWING: Deze pompen werken met een reservoir zonder ontluchting. Als het reservoir blootgesteld wordt aan te hoge druk, kan de behuizing barsten, hetgeen lichamelijk letsel en/of schade aan het apparaat kan veroorzaken. Probeer NOOIT meer olie naar het reservoir terug te voeren dan het kan bevatten.

Tabel 1

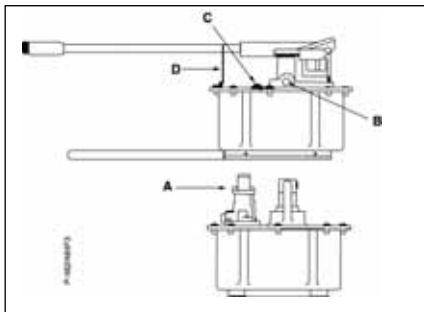
Afbeelding 1	P-141, 1001	P-142, 1002	P-202	P-391, 1004	P-392, 1005	P-802	P-842
A	Ontlastventiel	Ontlastventiel	Ontlastventiel	Ontlastventiel	Ontlastventiel	Ontlastventiel	4-weg klep
B	1/4 NPTF Uitlaatpoort	1/4 NPTF Uitlaatpoort	1/4 NPTF Uitlaatpoort	3/8 NPTF Uitlaatpoort	3/8 NPTF Uitlaatpoort	3/8 NPTF Uitlaatpoort	3/8 NPTF Uitlaatpoort
C	Ontlucht-/vuldop	Ontlucht-/vuldop	Ontlucht-/vuldop	Ontlucht-/vuldop	Ontlucht-/vuldop	Ontlucht-/vuldop	Ontlucht-/vuldop
D	Montage-sleuven	Montage-sleuven	—	—	—	Montage-sleuven	Montage-sleuven
E	—	—	—	—	—	Tankerteruglooppoort	—
Tankerterugloop set	—	PC-20	PC-20	PC-25	PC-25	PC-25	—

Tabel 2

Afbeelding 2	P-18	P-39, 1003	P-77	P-80, 1006	P-84	P-801
A	Ontlastventiel	Ontlastventiel	Ontlastventiel	Ontlastventiel	4-weg klep	Ontlastventiel
B	3/8 NPTF Uitlaatpoort	3/8 NPTF Uitlaatpoort	3/8 NPTF Uitlaatpoort	3/8 NPTF Uitlaatpoort	3/8 NPTF Uitlaatpoort	3/8 NPTF Uitlaatpoort
C	Vuldop	Vuldop	Vuldop	Vuldop	Vuldop	Vuldop
D	—	—	—	1/4 NPTF Tankerteruglooppoort	—	1/4 NPTF Tankerteruglooppoort

3.3 Models P-462 and P-464

In afbeelding 3 en de tabel daaronder worden de belangrijkste voorzieningen weergegeven van de P-462, voor gebruik met enkelwerkende cilinders, en P-464, voor gebruik met dubbelwerkende cilinders.

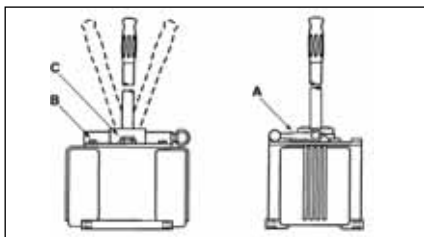


Afbeelding 3, P-462 en P-50

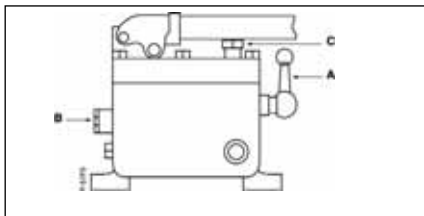
Tabel 3		
Afbeelding 3	P-462	P-464
A	3-weg klep met 2 standen	4-weg klep met 3 standen
B	3/8 NPTF Uitlaatpoort	3/8 NPTF Uitlaatpoort
C	Ontlucht-/vuldop	Ontlucht-/vuldop
D	Pompstang	Pompstang

3.4 Model P-25, P-50, and P-51

In afbeelding 4 worden de P-25 en P-50 weergegeven, die beide uitgerust zijn met een pompstang die in beide richtingen werkt. In afbeelding 5 wordt de P-51 handpomp weergegeven. De hoofdonderdelen van deze pompen vindt u in de tabel daaronder.



Afbeelding 4, P-25 en P-50



Afbeelding 5, Model P-51

Tabel 4 en 5			
Afbeelding 4, 5	P-25	P-50	P-51
A	Ontlastventiel	Ontlastventiel	Ontlastventiel
B	1/4 NPTF Uitlaatpoort	1/4 NPTF Uitlaatpoort	1/4 NPTF Uitlaatpoort
C	Ontlucht-/vuldop	Ontlucht-/vuldop	Ontlucht-/vuldop

4.0 INSTALLATIE

4.1 Aansluiten van de pomp

1. Draai de slang in de pompuitlaat. Wikkel anderhalve slag teflon-tape (of geschikt schroefdraadafdichtmiddel) rond de slangaansluiting, waarbij de eerste volledige gang wordt vrijgelaten om er zeker van te zijn dat de tape niet in het hydraulische systeem terecht komt en lekkage en/of schade veroorzaken. Knip de losse uiteinden af.
2. Installeer een manometer tussen de pomp en cilinder voor grotere veiligheid en een betere systeembediening.
3. Sluit de slang(en) aan op uw cilinder of gereedschap.

OPMERKING: Bij enkelwerkende cilinders wordt één slang tussen de pomp en de cilindraangesloten. Bij dubbelwerkende cilinders worden twee slangen aangesloten. Sluit één slang aan tussen de drukpoort van de pomp en de drukpoort van de cilinder. Sluit een andere slang aan tussen de terugtrekpoort van de pomp en de terugtrekpoort van de cilinder.

4.2 Ontluchten van de pomp

Zie onderstaande tabel om te bepalen of uw pomp dient te werken met een reservoir met of zonder ontluchting. Pompen met ontluchting leveren een beter werkkendement. Bij pompen met een nylon reservoir wordt de ontlucht-/vuldop 1/4 slag tegen de klok in gedraaid om te ontluchten. Zie voor andere pompen de sticker op de pomp. Sluit het ventiel voordat u de pomp vervoert om olie lekkage te voorkomen. De P-80, P-801 en P-84 kunnen ontlucht worden door het ventiel linksom open te draaien (met de klok mee). Om de ontluchting te sluiten moet het ventiel tegen de klok in dicht worden gedraaid.

ONTLUCHTEN

EHF-65	nicht belueftet	P-202	beides möglich
P-18	nicht belueftet	P-391, 1004	beides möglich
P-25	beides moeglich	P-77	nur horizontal
P-39, 1003	nicht belueftet	P-392, 1005	beides möglich
P-50	beides moeglich	P-392AL	nur horizontal
P-51	nur horizontal	P-462	nur horizontal
P-80, 1006	beides möglich	P-464	nur horizontal
P-84	beides möglich	P-801	nicht belueftet
P-141, 1001	beides möglich	P-802	beides möglich
P-142, 1002	beides möglich	P-842	beides möglich
P-142AL	nicht belueftet			

4.3 Stand van de pomp

Zie onderstaande tabel om de juiste bedrijfsstand voor uw pomp te bepalen. De P-80, P-801 en P-84 kunnen niet geventileerd worden als de pomp vertikaal gebruik wordt. Die Pumpen P-80, P-801 und P-84 koennen bei vertikaalem Einsatz nicht belueftet werden.

STANDEN

EHF-65	... beide mogelijk	P-202	... beide mogelijk
P-18	... beide mogelijk	P-391, 1004	... beide mogelijk
P-25	... alleen horizontaal	P-77	... beide mogelijk
P-39, 1003	... beide mogelijk	P-392, 1005	... beide mogelijk
P-50	... alleen horizontaal	P-392AL	... beide mogelijk
P-51	... alleen horizontaal	P-462	... alleen horizontaal
P-80, 1006	... beide mogelijk	P-464	... alleen horizontaal
P-84	... beide mogelijk	P-801	... beide mogelijk
P-141, 1001	... beide mogelijk	P-802	... beide mogelijk
P-142, 1002	... beide mogelijk	P-842	... beide mogelijk
P-142AL	... beide mogelijk		

OPMERKING: Wanneer de pomp in de verticale stand gebruikt wordt, moet het slanguiteinde naar beneden wijzen, anders zuigt de pomp lucht aan en komt hij niet goed op druk.

5.0 BEDRIJF

5.1 Voordat u de pomp gebruikt

1. Controleer of alle aansluitingen en verbindingen van het systeem stevig vastzitten en niet lekken.
2. Controleer het oliepeil in het reservoir voordat u de pomp gebruikt. Zie "Olie bijvullen in pomp" op pagina 43.



VOORZICHTIG: Breng NOOIT verlengstukken aan op de pompgreep. Verlengstukken leiden ertoe dat de pomp bij bedrijf onstabiel wordt.



WAARSCHUWING: Ga NOOIT vlak boven de pompgreep staan. In bepaalde situaties kan de pompgreep "terugslaan". Houd uw lichaam altijd

naast de pomp en uit het bereik van de greep om lichamelijk letsel te voorkomen.

OPMERKING: Om bij hoge druk de uitgeoefende kracht op de greep te verminderen, moeten de slagen kort zijn. De grootste pompwerking wordt verkregen in de laatste 5 graden van de slag.

5.2 Het gebruik van tweetraps handpompen

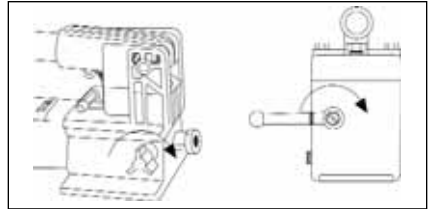
Deze pompen voorzien in een lage-en hogedruktrap. Onbelast werkt de pomp in het eerste trap (lage druk) met hoge stromingssnelheid om de liggang. Wanneer er contact gemaakt wordt met de last, schakelt de pomp automatisch over naar de tweede trap om druk op te bouwen. Bij P-462 of P-464 moet u even stoppen met pompen wanneer de pompdruk circa 14 bar (200 psi) bereikt, en de pompstang omhoog brengen om over te schakelen naar het hogedruktrap. Bij P-802 of P-842 moet u even stoppen met pompen wanneer de pompdruk circa 28 bar (400 psi) bereikt, en de pompstang omhoog brengen om over te schakelen naar het hogedruktrap. Nadat de pomp is overgeschakeld, kost het pompen minder moeite.

OPMERKING: Bedien de pompstang tijdens de eerste trap met de hoge stromingssnelheid met matige snelheid om het beste werkrendement te verkrijgen. Een hoge snelheid van de greep in het eerste stadium maakt dat de pomp niet het volledige

olievolume kan leveren.

5.3 Enkelwerkende toepassingen met ontlastventiel

1. Sluit het ontlastventiel door het met de klok mee te draaien, zoals in afbeelding 6.



Afbeelding 6

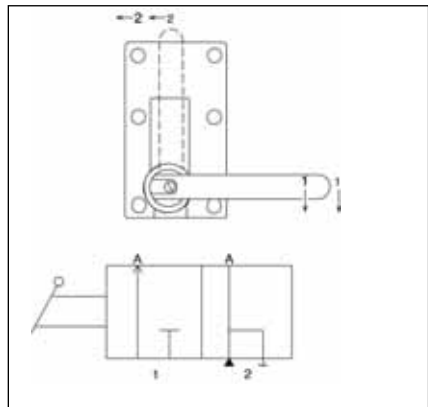


VOORZICHTIG: Sluit het ontlastventiel ALLEEN met de hand. Het gebruik van gereedschap op het ontlastventiel kan het ventiel beschadigen en storing in de pomp veroorzaken.

2. Bedien de pompstang om hydraulische druk over te brengen op het systeem. De druk blijft gehandhaafd totdat het ontlastventiel geopend wordt.
3. Open het ontlastventiel (tegen de klok in draaien) om de druk te ontlasten. De olie stroomt nu terug naar het reservoir.

5.4 Enkelwerkende toepassingen met handbediende 3-weg klep met 2 standen

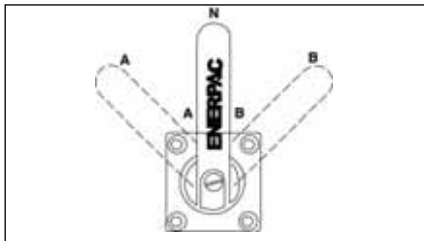
1. Schakel de ventielhendel in stand 1 zoals in afbeelding 7.
2. Bedien de pompstang om hydraulische druk over te brengen op het systeem. De druk blijft gehandhaafd totdat de stand van het ventiel wordt veranderd.
3. Schakel de ventielhendel naar stand 2 om de olie terug te laten stromen naar het reservoir.



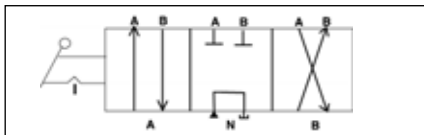
Afbeelding 7

5.5 Dubbelwerkende toepassingen met handbediende 4-weg klep met 3 standen

Pompen met 4-weg regelkleppen zijn ontworpen om dubbelwerkende cilinders te bedienen. Zie afbeelding 8 voor de klepstanden.



Afbeelding 8a



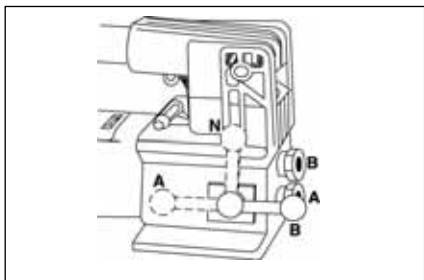
Afbeelding 8b

1. Plaats de hefboom op de 4-weg klep als volgt om de werking te selecteren:

(A) Stroom naar poort "A"; poort "B" voert de stroom terug naar het reservoir

(N) Neutraal; poort "A" en "B" zijn geblokkeerd

(B) Stroom naar poort "B"; poort "A" voert de stroom terug naar het reservoir



Afbeelding 8c

2. Bedien de pomp om het werk uit te voeren.
3. Verander de stand van de klep naar behoefte.



WAARSCHUWING: Bedien de dubbelwerkende cilinder alleen wanneer beide slangen op de pomp zijn aangesloten. Als één koppelstuk onaangesloten blijft, wordt hoge druk opgebouwd achter het koppelstuk, wat lichamelijk letsel en/of schade aan het apparaat kan veroorzaken.

5.6 Afstellen van het ontlastventiel

Alle pompen hebben een in de fabriek afgesteld ontlastventiel om te hoge druk in het systeem te voorkomen. Lagere drukinstellingen zijn mogelijk. Neem contact op met uw erkende servicecentrum van Enerpac.

6.0 VERWIJDEREN VAN LUCHT

Het verwijderen van lucht uit het hydraulische systeem helpt de cilinder soepel uitschuiven en terugtrekken. Zie afbeelding 9.

6.1 Pomp met enkelwerkende cilinder (A)

1. Ontlucht het pompreservoir (alleen bij pompen met ontluchting) en sluit het ontlastventiel.
2. Stel de pomp hoger op dan de cilinder.
3. Plaats de cilinder met de plunjer naar beneden (omhoog bij gebruik van een trekcilinder). Zie afbeelding 9.
4. Bedien de pomp om de cilinder volledig uit te schuiven (terug te trekken bij gebruik van een trekcilinder).
5. Open het ontlastventiel om de cilinder terug te trekken (uit te schuiven als het een trekcilinder betreft). Hierdoor wordt de opgesloten lucht naar boven naar het pompreservoir gestuwd.
6. Herhaal bovenstaande stappen zondig.
7. Vul zondig olie bij. Zie pagina 43.
8. Zet de ontlucht-/vuldop terug in de bedrijfsstand.

6.2 Pomp aangesloten op dubbelwerkende cilinder (B)

1. Ontlucht het pompreservoir (alleen bij pompen met ontluchting).

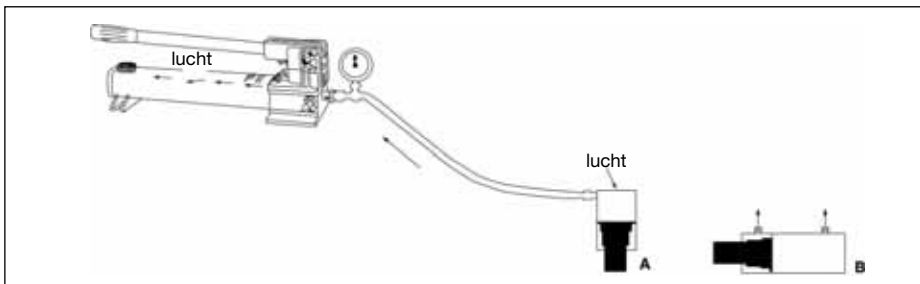
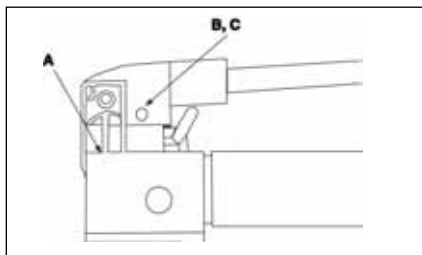


Figure 9

2. Stel de pomp hoger op dan de cilinder.
3. Zet de cilinder horizontaal met de poorten omhoog. Zie afbeelding 9.
4. Laat de cilinder 2 tot 3 keer volledig uitschuiven en terugtrekken.
5. Herhaal bovenstaande stappen zonedig.
6. Vul zonedig olie bij. Zie pagina 43.
7. Zet de ontluucht-/vuldop terug in de bedrijfsstand.



Afbeelding 10

7.0 ONDERHOUD

Gebruik uitsluitend Enerpac hydraulische olie voor deze pompen om een lange levensduur voor de pompen te bevorderen en uw garantie te beschermen. Viton en EPR afdichtingssets zijn verkrijgbaar voor sommige handpompen. Neem contact op met uw Enerpac vertegenwoordiger voor meer informatie over deze producten en de toepassingen ervan.

7.1 Olie bijvullen in de pomp

Controleer het oliepeil regelmatig.



WAARSCHUWING: Vul altijd olie bij met de cilinders volledig teruggetrokken (uitgeschoven wanneer het trekcilinders betreft), anders komt er meer olie in het systeem dan het reservoir kan bevatten.

1. Neem de ontluucht-/vuldop van het reservoir.
2. Vul het reservoir niet hoger dan het peilteken op de pomp.
3. Verwijder zonedig de lucht uit het systeem. Zie pagina 42. Controleer het oliepeil opnieuw nadat de lucht verwijderd is.
4. Breng de ontluucht-/vuldop weer in de juiste stand.

OPMERKING: Handpompen zonder ontluchting hebben lucht nodig in het reservoir om goed te kunnen werken. Als het reservoir volledig gevuld is, wordt er een vacuüm gevormd, waardoor olie niet uit de pomp kan stromen.

7.2 Schoonhouden van de olieleidingen

Schroef altijd stofdoppen op losgekoppelde koppelstukken. Voer alle voorzorgsmaatregelen uit om het apparaat te beschermen tegen binnendringend vuil, ter voorkoming van storing in pomp, cilinder en ventiel.

7.3 Smeren van de pomp

Om de levensduur van de pomp te verlengen en de prestaties te verbeteren, moeten de draagpen (A), dwarspen (B) en zuigerkop (C) regelmatig met rollagervet worden gesmeerd. Zie afbeelding 10.

7.4 Olie verversen

1. Tap om de 12 maanden alle olie af en vul de pomp met schone Enerpac olie. Ververs de olie vaker als de pomp in een vuile omgeving wordt gebruikt.
2. Neem de ontluucht-/vuldop of -stop van het reservoir.
3. Houd de pomp schuin om de oude olie eruit te laten lopen.
4. Vul het reservoir niet hoger dan tot het peilteken op de pomp.
5. Breng de ontluucht-/vuldop of -stop weer aan.
6. **VOER GEBRUIKTE OLIE OP DE JUISTE WIJZE AF.**

8.0 PROBLEMEN OPLOSSEN

De volgende informatie is bedoeld om te helpen bepalen of er sprake van een probleem is. Zie pagina 44. Neem voor reparatieservice contact op met het erkende servicecentrum van Enerpac in uw gebied.

PROBLEMEN OPLOSSEN		
Probleem	Mogelijke Oorzaak	Oplossing
Cilinder schuift niet, langzaam of onregelmatig uit.	<ol style="list-style-type: none"> 1. Oliepeil in pompreservoir is te laag. 2. Ontlastventiel open. 3. Hydraulisch koppelstuk is los. 4. Belasting is te hoog. 5. Lucht opgesloten in systeem. 6. Plunjer klemt in cilinder. 	<ol style="list-style-type: none"> 1. Vul olie bij volgens de onderhoudsinstructies op pagina 43. 2. Sluit het ontlastventiel. 3. Controleer of alle koppelstukken goed vastzitten. 4. Probeer niet een grotere last te heffen dan de toelaatbare last. 5. Verwijder de lucht volgens de instructies op pagina 42. 6. Controleer de cilinder op schade. Laat de cilinder door een bevoegd hydrauliek technicus repareren.
Cilinder schuift uit, maar blijft niet op druk.	<ol style="list-style-type: none"> 1. Cilinder schuift uit, maar blijft niet op druk. 2. Lekkende afdichtingen. 3. Inwendige lekkage in pomp. 	<ol style="list-style-type: none"> 1. Controleer of alle verbindingen dicht zijn en niet lekken. 2. Spoor lek(ken) op en laat het apparaat door een bevoegd hydrauliek technicus repareren. 3. Laat de pomp door bevoegde hydraulische technicus repareren.
Cilinder trekt niet, gedeeltelijk of langzamer terug dan normaal.	<ol style="list-style-type: none"> 1. Ontlastventiel dicht. 2. Pompreservoir is te vol. 3. Hydraulisch koppelstuk is los. 4. Lucht opgesloten in het systeem. 5. Slangbinnendiameter te klein. 6. Cilinderterugtrekveer gebroken of andere schade aan cilinder. 	<ol style="list-style-type: none"> 1. Open het ontlastventiel. 2. Pompreservoir is te vol. Tap olie af tot volmerkteken. Zie instructies voor bijvullen van olie op pagina 43. 3. Controleer of alle koppelstukken goed vastzitten. 4. Verwijder lucht volgens instructies op pagina 42. 5. Gebruik slang met grotere diameter. 6. Laat de cilinder door bevoegde hydraulische technicus repareren.

L1763 Rev I 03/09

Folhas de Instrução para este produto estão disponíveis no Site de Enerpac - www.enerpac.com, ou no Centro de Serviço Autorizado mais próximo, ou com o Escritório de Vendas Enerpac.

1.0 INSTRUÇÕES IMPORTANTES NO RECEBIMENTO

Inspecione visualmente todos os componentes verificando se houve avarias durante o transporte. Avarias no transporte não são cobertas pela garantia. Caso haja avarias no transporte, avise o transportador imediatamente. O transportador é responsável por todos os custos de consertos e substituições decorrentes de avarias ocorridas no transporte.

SEGURANÇA EM PRIMEIRO LUGAR

2.0 ASSUNTOS DE SEGURANÇA



Leia cuidadosamente todas as instruções, advertências e avisos sobre precaução. Siga todas as recomendações de segurança para evitar lesões pessoais ou danos à propriedade durante a operação do sistema. Enerpac não pode ser responsável por danos ou lesões pessoais resultantes do uso indevido do produto, falta de manutenção ou operação inadequada do produto e/ou sistema. Entre em contato com Enerpac quando houver dúvidas sobre as recomendações de segurança e operações. Se você nunca recebeu treinamento em segurança na hidráulica de alta pressão, consulte o seu distribuidor ou centro de serviço sobre um curso de segurança hidráulica Enerpac.

Falhas no cumprimento das advertências e avisos de precaução podem causar lesões pessoais e avarias ao equipamento.

PRECAUÇÃO é usada para indicar a operação correta ou os procedimentos e métodos de manutenção para prevenir o dano, a destruição do equipamento ou outras propriedades.

ADVERTÊNCIA indica um perigo potencial que exige procedimentos ou métodos corretivos para evitar lesões pessoais.

PERIGO é usado somente quando a ação ou a falta da mesma podem causar lesões sérias ou mesmo a morte.



ADVERTÊNCIA: Use equipamentos individuais de proteção quando acionar equipamentos hidráulicos.



ADVERTÊNCIA: Mantenha distância de cargas apoiadas por cilindros hidráulicos. Um cilindro, quando utilizado como dispositivo de levantamento, jamais deve ser usado como dispositivo de sustentação de carga. Depois de haver sido levantada ou baixada, a carga deve sempre ser bloqueada mecanicamente



ADVERTÊNCIA: USE SOMENTE PEÇAS RÍGIDAS PARA APOIAR AS CARGAS. Selecione cuidadosamente blocos de madeira ou ferro que sejam capazes de sustentar a carga. Nunca use um cilindro hidráulico como um calço ou espaçador em qualquer aplicação de levantamento ou prensagem.



PERIGO: Para evitar lesões pessoais mantenha mãos e pés longe do cilindro e da área de trabalho durante a operação.



ADVERTÊNCIA: Não exceda a capacidade do equipamento. Nunca tente levantar uma carga mais pesada que a capacidade do cilindro. Excesso de carga pode causar falhas no equipamento e possíveis lesões pessoais. Os cilindros são projetados para uma pressão máxima de 700 bar [10.000 psi]. Não faça a ligação entre um macaco ou um cilindro com uma bomba com capacidade maior de pressão.



PERIGO: Nunca ajuste uma válvula de alívio com pressão maior que a capacidade de pressão máxima da bomba. Ajustes maiores podem resultar em danos ao equipamento e/ou lesões pessoais. Não remova a válvula de alívio.



ADVERTÊNCIA: A pressão de operação do sistema não deve exceder a capacidade de pressão do componente de menor capacidade no sistema. Instale manômetros de pressão no sistema para monitorar a pressão de operação. É a sua janela para o que está acontecendo no sistema.



PRECAUÇÃO: Evite danificar mangueiras hidráulicas. Evite curvas ou dobras pronunciadas quando direcionar as mangueiras hidráulicas. O uso de uma mangueira curvada ou dobrada causará aumento na pressão de retorno. Curvas ou dobras pronunciadas danificarão a mangueira internamente, levando a um desgaste prematuro.



Não derrube objetos pesados na mangueira. Um forte impacto pode causar danos à trama interna de aço da mangueira. A aplicação de pressão em uma mangueira danificada pode causar a sua ruptura.



IMPORTANTE: Não levante o equipamento hidráulico pela mangueira ou pelos engates. Use manoplas ou outros meios mais seguros para o transporte.



PRECAUÇÃO: Mantenha o equipamento hidráulico longe do calor e das chamas. O calor excessivo amolece vedações e selos, resultando em vazamento de fluidos. O calor também enfraquece o material das mangueiras e das juntas. Para um desempenho otimizado não exponha o equipamento a temperatura maiores que 65 °C [150 °F]. Proteja mangueiras e cilindros dos respingos de solda.



PERIGO: Não manuseie mangueiras pressurizadas. O escape do óleo sob pressão pode penetrar na pele, causando lesões sérias. Se o óleo penetrar na pele, procure um médico imediatamente.



ADVERTÊNCIA: Use somente cilindros hidráulicos num sistema acoplado. Nunca use um cilindro com engates não conectados. Caso o cilindro se torne extremamente sobrecarregado, os componentes podem falhar catastróficamente, causando severas lesões pessoais.



ADVERTÊNCIA: ESTEJA CERTO QUE A MONTAGEM É ESTÁVEL ANTES DE LEVANTAR A CARGA. Os cilindros devem ser colocados em superfícies planas que podem apoiar a carga. Quando aplicável, use uma base de cilindro Enerpac para aumentar a estabilidade. Não faça soldas ou, de qualquer forma, modifique o cilindro para acrescentar uma base ou outro apoio.



Evite situações em que as cargas não estão centradas na haste do cilindro. Cargas fora de centro podem causar deformações consideráveis nas hastes e nos cilindros. Além disso, a carga pode escorregar ou cair, causando resultados potencialmente perigosos.



Distribua a carga uniformemente em toda a superfície do assento. Use sempre um assento para proteger a haste.



IMPORTANTE: Somente técnicos em hidráulica, devidamente qualificados, devem fazer a manutenção de equipamentos hidráulicos. Para serviços de manutenção, entre em contato com o Centro de Serviço Autorizado Enerpac em sua área. Para proteger sua garantia, use somente óleo Enerpac.

ESPECIFICAÇÕES – Use esta folha de instrução para os seguintes modelos de bomba						
Especificações das Bombas Manuais						
Modelo	Tipo (velocidade)	Pressão Máxima Nominal bar [psi] [mPa]		Volume de óleo por bombada cm ³ [pol. 3]		Capacidade utilizável de óleo cm ³ [pol. 3]
EHF-65	1	6,500 [440] [44]		.16 [2.62]		22 [360]
P-18	1	2,850 [200] [20]		.16 [2.62]		22 [360]
P-25	1	2,500 [170] [17]		.58 [9.51]		231 [3786]
P-39, 1003	1	10,000 [700] [70]		.16 [2.62]		43 [705]
P-50	1	5,000 [340] [34]		.29 [4.75]		231 [3786]
P-51	1	3,000 [210] [21]		.25 [4.09]		50 [820]
P-141, 1001	1	10,000 [700] [70]		.055 [.90]		20 [328]
P-391, 1004	1	10,000 [700] [70]		.151 [2.47]		55 [900]
		Primeiro Estágio	Segundo Estágio	Primeiro Estágio	Segundo Estágio	
P-80, 1006	2	350 [25] [2,5]	10,000 [700] [70]	.99 [16.23]	.15 [2.46]	140 [2295]
P-84	2	350 [25] [2,5]	10,000 [700] [70]	.99 [16.23]	.15 [2.46]	140 [2295]
P-142, 1002	2	200 [14] [1,4]	10,000 [700] [70]	.221 [3.62]	.055 [.90]	20 [328]
P-142AL	2	200 [14] [1,4]	10,000 [700] [70]	.221 [3.62]	.055 [.90]	9,0 [148]
P-202	2	200 [14] [1,4]	10,000 [700] [70]	.221 [3.62]	.055 [.90]	55 [900]
P-77	2	200 [14] [1,4]	10,000 [700] [70]	.63 [16.0]	.094 [2.41]	47 [769]
P-392, 1005	2	200 [14] [1,4]	10,000 [700] [70]	.687 [11.26]	.151 [2.47]	55 [900]
P-392AL	2	200 [14] [1,4]	10,000 [700] [70]	.687 [11.26]	.151 [2.47]	55 [900]
P-462	2	200 [14] [1,4]	10,000 [700] [70]	7.69 [126.00]	.29 [4.75]	462 [7572]
P-464	2	200 [14] [1,4]	10,000 [700] [70]	7.69 [126.00]	.29 [4.75]	462 [7572]
P-801	2	350 [25] [2,5]	10,000 [700] [70]	.99 [16.23]	.15 [2.46]	250 [4095]
P-802	2	400 [28] [2,8]	10,000 [700] [70]	2.40 [39.34]	.15 [2.46]	155 [2540]
P-842	2	400 [28] [2,8]	10,000 [700] [70]	2.40 [39.34]	.15 [2.46]	155 [2540]



ADVERTÊNCIA: Substitua imediatamente peças gastas ou danificadas por peças genuínas Enerpac. Peças não genuínas podem quebrar, causando lesões pessoais ou danos à propriedade. As peças Enerpac são projetadas para se encaixar adequadamente e sustentar cargas pesadas.



PRECAUÇÃO: Use sempre a alavanca para carregar a bomba. Carregar a bomba pela mangueira pode danificar a mangueira e/ou a bomba.

3.0 DESCRIÇÃO

3.1 Modelos P-141, 1001; P-142, 1002; P-202; P-391, 1004; P-392, 1005; P-802; P-842

A figura 1 e a tabela correspondente mostram os principais componentes das bombas manuais P-141, P-142, P-202, P-391, P-392, P-802, e P-842. A função dupla da tampa de respiro/abastecimento atua como uma válvula de alívio de pressão no caso de pressurização acidental do reservatório. Para ter acesso à saída posterior do reservatório para as válvulas de montagem à distância, use o conjunto retorno para reservatório. Consulte a Tabela 1 para os modelos dos conjuntos.

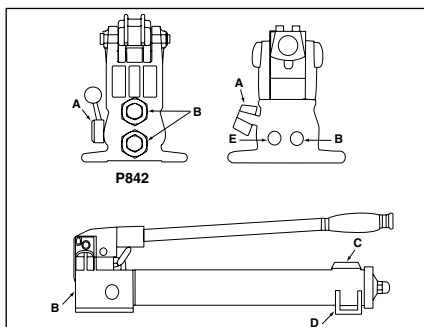


Figura 1

Tabela 1

Fig. 1	P-141, 1001	P-142, 1002	P-202	P-391, 1004	P-392, 1005	P-802	P-842
A	Válvula de alívio	Válvula de alívio	Válvula de alívio	Válvulae de alívio	Válvula de alívio	Válvula de alívio	Válvula de 4 vias
B	1/4 NPTF Saída de Pressão	1/4 NPTF Saída de Pressão	1/4 NPTF Saída de Pressão	3/8 NPTF Saída de Pressão	3/8 NPTF Saída de Pressão	3/8 NPTF Saída de Pressão	3/8 NPTF Saída de Pressão
C	Tampa de Respiro/abastecimento	Tampa de Respiro/abastecimento	Tampa de Respiro/abastecimento	Tampa de Respiro/abastecimento	Tampa de Respiro/abastecimento	Tampa de Respiro/abastecimento	Tampa de Respiro/abastecimento
D	Montagem	Furo alongado	—	—	—	Furo alongado	Furo alongado
E	—	—	—	—	—	Conjunto de retorno reservatório	—
Conjunto de retorno ao reservatório	PC-20	PC-20	PC-25	PC-25	PC-25	—	—

Tabela 2

Fig. 2	P-18	P-39, 1003	P-77	P-80, 1006	P-84	P-801
A	Válvula de alívio	Válvula de alívio	Válvula de alívio	Válvula de alívio	Válvula de alívio	Válvula de alívio
B	3/8 NPTF Saída de Pressão	3/8 NPTF Saída de Pressão	3/8 NPTF Saída de Pressão	3/8 NPTF Saída de Pressão	3/8 NPTF Saída de Pressão	3/8 NPTF Saída de Pressão
C	Bujão de abastecimento	Bujão de abastecimento	Bujão de abastecimento	Bujão de abastecimento	Bujão de abastecimento	Bujão de abastecimento
D	—	—	—	1/4 NPTF Conjunto de retorno reservatório	—	1/4 NPTF Conjunto de retorno reservatório

3.2 Modelos P-18/P-39, 1003/P-80, 1006/P-84/P-801, P-77

Figura 2 e a tabela correspondente mostram os principais componentes destas bombas manuais. A bomba P-84 é equipada com válvula de 4-vias, 3-posições para uso com cilindro de dupla ação. Para transformar as bombas P-18 ou P-39 em modelos de acionamento por pedal, adquira o Kit Pc-10.

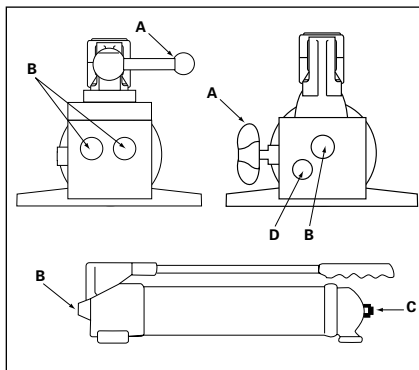


Figure 2



AVISO: Estas bombas são acionadas com um reservatório sem respiro. Se o reservatório for submetido à alta pressão, poderá ocorrer ruptura, causando lesões pessoais e/ou danos ao equipamento. **NUNCA** tente fazer retornar mais óleo para o reservatório do que a capacidade do equipamento.

3.3 Modelos P-462 and P-464

Figura 3 e a tabela correspondente mostram as principais características da bomba manual P462 para uso com cilindro de simples ação, e da bomba P-464, para uso com cilindro de dupla ação.

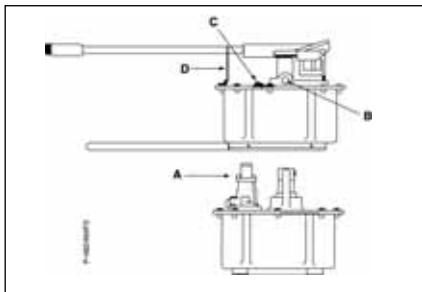


Figure 3, Modelos P-462, P-464

Tabela 3		
Fig. 3	P-462	P-464
A	Válvula de 2-posições e 3-vias	Válvula de 3-posições e 4-vias
B	Saída de pressão 3/8 NPTF	Saída de pressão 3/8 NPTF
C	Bujão de respiro/abastecimento	Bujão de respiro/abastecimento
D	Grampo da alavanca	Grampo da alavanca

3.4 Modelos P-25, P-50, and P-51

Figura 4 mostra as bombas manuais P-25 e P-50, ambas equipadas com alavanca que trabalha nos dois sentidos. Figura 5 mostra a bomba manual P-51. Os principais componentes destas bombas são listados na tabela abaixo.

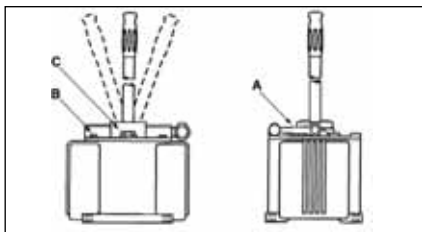


Figure 4, Bombas P-25, P-50 e P-51

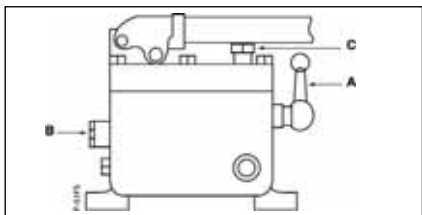


Figure 5, Bomba P-51

Tabelas 4 e 5	
Fig. 4 e 5	P-25, P-50, P-51
A	Válvula de alívio
B	1/4 NPTF Saída de pressão
C	Bujão de respiro/abastecimento

4.0 INSTALAÇÃO

4.1 Conectando a Bomba

1. Rosqueie a mangueira na saída da bomba. Use uma ou duas voltas de fita Teflon, (ou selante apropriado para rosca) na conexão da mangueira, deixando o primeiro filete completamente livre para garantir que pedaços de fita não entrem no sistema hidráulico, causando danos. Corte as pontas soltas.
2. Instale o manômetro na linha da bomba para maior segurança e melhor controle.
3. Conecte a mangueira(s) no cilindro ou ferramenta.

NOTA: Para cilindros de simples ação, conecte uma mangueira entre a bomba e o cilindro. Para cilindros de dupla ação, conecte duas mangueiras. Conecte uma mangueira entre a conexão de pressão da bomba e a conexão avanço do.

4.2 Sangria de ar da Bomba

Consulte a tabela abaixo para determinar se a bomba pode ou não ser acionada com um reservatório com respiro. Bombas com respiro apresentam um melhor desempenho. Para bombas com reservatório de plástico, gire o bujão de respiro/abastecimento em 180° de volta no sentido horário para sangria. Para outras bombas, consulte a etiqueta colada na bomba. Feche o respiro antes de transportar a bomba para evitar vazamento de óleo. P-80, P-801 e P-84 são ventiladas, girando-se a válvula de alívio no sentido anti-horário. Para fechar o respiro, gire a válvula no sentido horário.

OPÇÕES DE RESPIRO			
EHF-65	Sem respiro	P-202	ambos
P-18	Sem respiro	P-391, 1004	ambos
P-25	ambos	P-77	respiro
P-39, 1003	Sem respiro	P-392, 1005	ambos
P-50	ambos	P-392AL	respiro
P-51	respiro	P-462	respiro
P-80, 1006	ambos	P-464	ambos
P-84	ambos	P-801	Sem respiro
P-141, 1001	ambos	P-802	ambos
P-142, 1002	ambos	P-842	ambos
P-142AL	Sem respiro		

4.3 Posicionamento da Bomba

Consulte a tabela abaixo para determinar o posicionamento horizontal ou vertical de sua bomba. P-80, P-801 e P-84 não podem ser ventiladas, quando acionadas verticalmente.

POSICIONAMENTO DE OPERAÇÃO			
EHF-65	ambos	P-202	ambos
P-18	ambos	P-391, 1004	ambos
P-25	Somente Horizontal	P-77	ambos
P-39, 1003	ambos	P-392, 1005	ambos
P-50	Somente Horizontal	P-392AL	ambos
P-51	Somente Horizontal	P-462	Somente Horizontal
P-80, 1006	ambos	P-464	Somente Horizontal
P-84	ambos	P-801	ambos
P-141, 1001	ambos	P-802	ambos
P-142, 1002	ambos	P-842	ambos
P-142AL	ambos		

NOTA: Quando a bomba estiver funcionando na posição vertical, a ponta na qual a mangueira está conectada, deve estar virada para baixo, ou haverá sucção de ar, e a bomba não atingirá a pressão adequada.

5.0 OPERAÇÃO

5.1 Antes de Usar a Bomba

1. Verifique todas as conexões para garantir que elas estão apertadas e sem vazamento.
2. Verifique o nível de óleo do reservatório antes de acionar a bomba. Consulte "adicionando óleo na bomba" na página 7.



PRECAUÇÃO: NUNCA acrescente extensões na alavanca da bomba. Extensões podem causar instabilidade no funcionamento da bomba.



ADVERTÊNCIA: Em certas situações a alavanca da bomba pode "retornar inesperadamente". Mantenha sempre seu corpo ao lado da bomba, longe da linha de movimento da alavanca.

NOTA: Para reduzir o esforço da alavanca em alta pressão, acione com bombadas curtas. A ação máxima da alavanca é obtida nos últimos 5° do curso.

5.2 Usando Bombas de Duas Velocidades

Estas bombas fornecem dois estágios de fluxo. Quando não há carga, a bomba funciona no primeiro estágio de alta vazão para um avanço rápido. Quando a carga é atingida, a bomba automaticamente passa para o segundo estágio para atingir a pressão. **Nas bombas P-462 ou P464**, quando a pressão na bomba atinge aproximadamente 14 bar [200 psi] você deve, momentaneamente, parar o bombeamento e levantar a alavanca, mudando para o estágio de alta pressão. **Nas bombas P-802 ou P842**, quando a pressão atingir aproximadamente 28 bar [400 psi], você deve, momentaneamente, parar o bombeamento e levantar a alavanca, mudando para o estágio de alta pressão. Após a mudança de estágio de pressão, o bombeamento requer menos esforço.

NOTA: Para melhor desempenho, acione a alavanca da bomba em velocidade moderada no estágio de alta vazão. Movimentos rápidos da alavanca no primeiro estágio evitam a liberação de todo o volume de óleo.

5.3 Aplicações de Simples Ação com Válvula de alívio

1. Feche a válvula de alívio girando-a no sentido horário como mostrado na Figura 6.

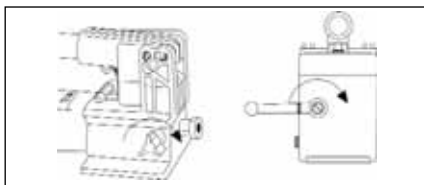


Figura 6



PRECAUÇÃO: Feche a válvula de alívio SOMENTE com aperto dos dedos. Uso de ferramentas na válvula de alívio pode danificá-la e causar mau funcionamento na bomba.

2. Acione a alavanca para liberar força hidráulica no sistema. A pressão será mantida até que a válvula de alívio seja aberta.
3. Abra a válvula de alívio (gire sentido anti-horário) para liberar a pressão, permitindo que o óleo retorne para o reservatório.

5.4 Aplicações de Simples Ação com Válvula Manual de 3 vias e 2 posições

1. Mude a alavanca da válvula para a posição 1 como mostrado na Figura 7.
2. Acione a alavanca para liberar força hidráulica no sistema. A pressão será mantida até que seja mudada a posição da válvula.
3. Para permitir que o óleo retorne para o reservatório, mude a alavanca da válvula para a posição 2.

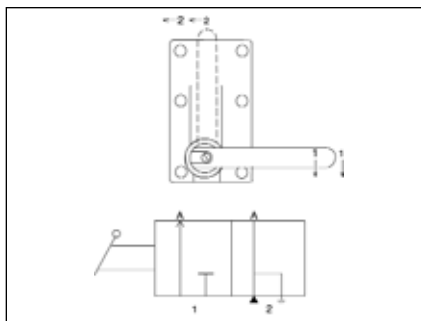


Figura 7

5.5 Aplicações de Dupla Ação com Válvula Manual de 4 vias e 3 posições

Bombas com válvula de controle de 4-vias são projetadas para acionar cilindros de ação dupla. Consulte Figura 8 para posições da válvula.

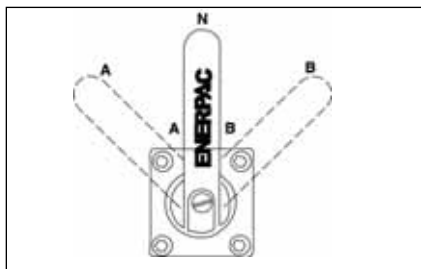


Figura 8a

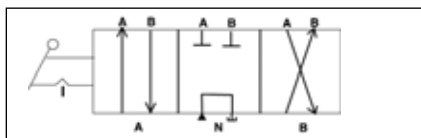


Figura 8b

1. Posicione a alavanca da válvula de 4 vias para selecionar as funções conforme abaixo:
 (A) Fluxo da saída "A"; saída "B" o fluxo retorna para o reservatório
 (N) Neutro, saídas "A" e "B" estão bloqueadas
 (B) Fluxo para a saída "B"; saída "A" retorna o fluxo para o reservatório

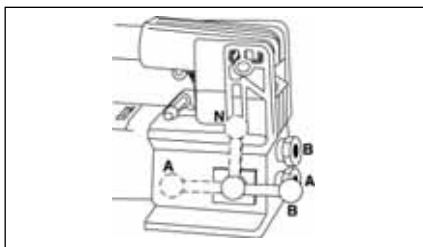


Figure 8c

2. Acione a bomba para executar o trabalho.
3. Mude as posições da válvula conforme necessário.



ADVERTÊNCIA: Acione o cilindro de dupla ação somente quando ambas as mangueiras estiverem conectadas na bomba. Se um engate não estiver conectado, haverá aumento de alta pressão por trás do mesmo, o que pode causar lesões pessoais e/ou danos no equipamento.

5.6 Ajuste da válvula de Alívio

Todas as bombas são fornecidas com a válvula de alívio pré-ajustada de fábrica para evitar excesso de pressão no sistema. Ajustes menores de pressão podem ser obtidos. Entre em contato com o Centro de Serviço Enerpac Autorizado.

6.0 SANGRANDO O AR

A remoção do ar do sistema hidráulico ajuda nas operações de avanço e retorno do cilindro (Consulte Figura 9).

6.1 Bomba com Cilindro de Simples Ação (A)

1. Abra o respiro do reservatório da bomba (somente para bombas com respiro) e feche a válvula de alívio.
2. Coloque a bomba em posição mais alta que o cilindro.
3. Coloque o cilindro com a haste virada para baixo (virada para cima no caso de cilindro de atração). Consulte Figura 9 abaixo.

4. Acione a bomba para distender completamente o cilindro (faça-o retornar, ao usar cilindro de atração).
5. Abra a válvula de alívio para que o cilindro retorne (faça-o distender, ao usar cilindro de atração). Isto forçará o movimento do ar preso para o reservatório da bomba.
6. Repita os passos acima tantas vezes quanto for necessário.
7. Adicione óleo caso haja necessidade. Veja página 7.
8. Retorne o bujão de respiro/abastecimento para a posição de acionamento.

6.2 Bomba com cilindro de Dupla Ação (B)

1. Abra o respiro do reservatório da bomba (somente para bombas com respiro).
2. Coloque a bomba em posição mais alta que o cilindro.
3. Coloque o cilindro em posição horizontal com as saídas voltadas para cima. Consulte Figura 9.
4. Faça o cilindro avançar e retornar por 2 a 3 vezes.
5. Repita os passos acima tantas vezes quanto for necessário.
6. Adicione óleo caso haja necessidade. Consulte §7.1.
7. Retorne o bujão de respiro/abastecimento para a posição de acionamento.

7.0 MANUTENÇÃO

Use somente óleo Enerpac com estas bombas para assegurar uma vida longa e proteção da garantia. Vedações de Viton e EPR estão disponíveis para algumas bombas manuais. Contate o representante Enerpac para maiores informações sobre produtos e suas aplicações.

7.1 Adicionando óleo na bomba

Verifique regularmente o nível de óleo.



ADVERTÊNCIA: Sempre adicione óleo com o cilindro totalmente retraído (distendido no caso do cilindro de atração) ou o sistema terá mais óleo que a capacidade do reservatório.

1. Remova o bujão de respiro/abastecimento do reservatório.
2. Encha o reservatório somente até o nível indicado na bomba.
3. Remova o ar do sistema, se necessário. Consulte página 6. Verifique novamente o nível de óleo após a remoção do ar.

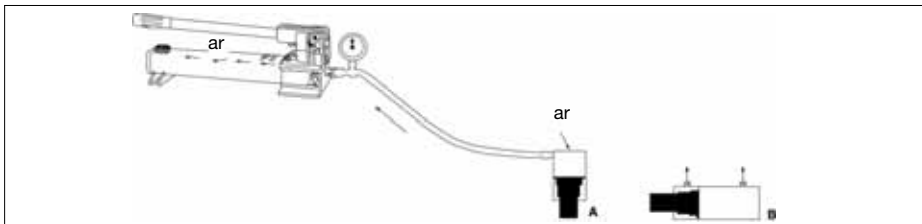


Figure 9

4. Retorne o bujão de respiro/abastecimento à posição apropriada.

NOTA: Bombas manuais sem respiro necessitam de ar no reservatório para funcionar adequadamente. Se o reservatório estiver completamente cheio, haverá formação de vácuo evitando que o óleo saia da bomba.

7.2 Mantenha as Linhas de Óleo Limpas

Quando as duas metades dos engates estiverem desconectadas, utilize sempre a tampa guarda-pó contra sujeira e poeira. Use todos os cuidados necessários para evitar a entrada de sujeira, uma vez que elementos externos podem causar falhas na bomba, no cilindro ou na válvula.

7.3 Lubrificando a Bomba

Para prolongar a vida e melhorar o desempenho da bomba, lubrifique os pinos (A) e (B) e a cabeça do pistão (C) regularmente, usando graxa apropriada para rolamentos. Consulte Figura 10.

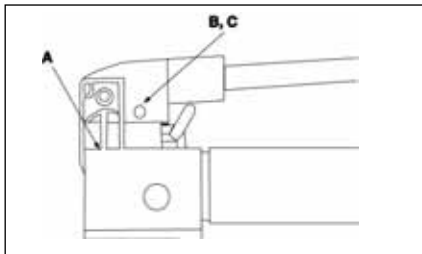


Figura 10

7.4 Trocando o óleo

1. Drene todo o óleo e encha com óleo Enerpac limpo a cada 12 meses. Se a bomba é utilizada em um ambiente sujo, troque o óleo com mais frequência.

2. Remova o bujão de respiro/abastecimento do reservatório.
3. Incline a bomba para drenar o óleo antigo.
4. Encha o reservatório somente até o nível indicado na bomba.
5. Reponha o bujão de respiro/abastecimento.
6. Disponha, adequadamente, do óleo usado.

8.0 SOLUÇÕES DE PROBLEMAS

A seguinte informação deve ajudar na determinação de um problema, caso ele exista. Para serviços de manutenção, entre em contato com o Centro de Serviço Enerpac Autorizado de sua região.

SOLUÇÕES DOS PROBLEMAS		
Problema	Causa Possível	Solução
Cilindro não avança, avança vagarosamente, ou avança aos trancos	<ol style="list-style-type: none"> 1. O nível de óleo no reservatório da bomba está muito baixo. 2. Válvula de alívio está aberta. 3. Conexão hidráulica está solta. 4. Carga está acima da capacidade nominal do cilindro 5. Existe ar preso no sistema 6. Atrito na haste do cilindro 	<ol style="list-style-type: none"> 1. Adicione óleo conforme as instruções de manutenção na página 50. 2. Feche a válvula de alívio 3. Verifique se todos os engates estão totalmente apertados. 4. Não tente levantar carga maior que a capacidade nominal do cilindro 5. Sangre o ar conforme as instruções na página 50. 6. Verifique se há avarias no cilindro. Faça com que o cilindro seja consertado por um técnico qualificado em hidráulica.
Cilindro avança, mas não sustenta a pressão.	<ol style="list-style-type: none"> 1. Conexão com vazamento 2. Vedações com vazamento 3. Bomba com vazamento interno 	<ol style="list-style-type: none"> 1. Verifique se todos as conexões estão apertadas e sem vazamento. 2. Localize o vazamento(s) e faça com que o equipamento seja consertado por um técnico qualificado em hidráulica 3. Faça com que a bomba seja consertada por um técnico qualificado em hidráulica
Cilindro não retorna, retorna parcialmente ou retorna mais lentamente que o normal.	<ol style="list-style-type: none"> 1. Válvula de alívio fechada 2. Reservatório da bomba está cheio demais 3. Engate hidráulico está solto. 4. Existe ar preso no sistema 5. Diâmetro interno da mangueira muito estreito 6. Mola de retorno quebrada no cilindro de retração ou outra avaria no cilindro 	<ol style="list-style-type: none"> 1. Abra a válvula de alívio 2. Drene o nível de óleo até a marca "full" (cheio). Consulte as instruções na página 51 para acrescentar óleo. 3. Verifique se todos os engates estão totalmente apertados. 4. Remova o ar conforme as instruções na página 50. 5. Use mangueiras hidráulicas com diâmetro maior 6. Faça com que o cilindro seja consertado por um técnico qualificado em hidráulica.

L1763 改訂1 03/09

エナパック製品のリベアーパーツシートはエナパックのホームページwww.enerpac.comよりダウンロードして入手することができます。またはお近くのエナパック認定サービスセンターあるいはエナパック営業所にお問合せください。

1.0 納品時の重要指示

全ての部品類に運送中の損傷がないか目視で確かめて下さい。運送中の損傷は保証されません。運送中の損傷が見つかった場合、すぐに運送業者に連絡して下さい。運送中に生じた損傷については、運送業者が修理費や交換費を全て負担します。

安全第一

2.0 安全事項



指示、警告、注意は必ずよくお読みください。安全注意事項に従って、システム操作中に、人身事故や器物破損が起こらないようにして下さい。エナパックは、不安全な製品の使用、保守の不足、製品及び/又はシステムの不正な操作から生じる損傷や怪我には責任を負いません。安全注意事項及び操作に関して疑問点があれば、エナパックまでお問い合わせ下さい。高圧油圧の安全に関する訓練を受けたことがない場合、無料のエナパックハイドロリック安全コースについて、担当の販売店又はサービスセンターにお問い合わせ下さい。

以下の注意及び警告に従わない場合、装置破損や人身事故の原因となる恐れがあります。

注意は、装置やその他器物の破損を防止するための、適正な操作や保守手順を示す場合に使われます。

警告は、人身事故を予防するために適正な手順や心遣が必要な、潜在的な危険性を示します。

危険は、重傷や死亡事故の原因となる恐れがある、禁止行為又は必須行為を示します。

警告： 油圧装置を操作中は、適正な保護具を着用して下さい。

警告： 油圧によって支える荷物はきれいにして置いて下さい。シリンダを荷揚げのために利用する場合、絶対に荷重保持には使用しないで下さい。荷物を揚げ降ろした後は、必ず機械的なブロック（固定）を施して下さい。

警告： 荷物の保持には、必ず頑丈なものを使用して下さい。荷物を支持可能なスチール製又は木製のブロックを慎重に選んで下さい。どのような荷揚げ又はプレスであっても、油圧シリンダを絶対にシム又はスペーサーとして使用しないで下さい。

危険： 操作中は、人身事故を防止するため、シリンダや作業物から手足を離して下さい。



警告： 装置の定格を超えないようにして下さい。シリンダの能力を超える重量の荷揚げは絶対に行わないで下さい。過荷重は、装置の故障や場合によっては人身事故の原因となります。シリンダに設計されている最大圧力は、70Mpaです。ジャッキやシリンダは、定格で70Mpaを超える圧力のポンプには接続しないで下さい。



リリーフバルブは、ポンプの最大定格圧力以上の高圧に設定しないで下さい。高圧に設定すると、装置の破損及び/又は人身事故の原因となる恐れがあります。リリーフバルブは触らないでください。



警告： システムの使用圧力は、システム内の最低定格部品の圧力定格を超えないようにして下さい。圧力計をシステムに取り付けて、使用圧力をモニターして下さい。システムの監視は、各自が行って下さい。



危険： 油圧ホースを損傷させないで下さい。油圧ホースは、敷設時に折り曲げたりねじったりしないで下さい。ホースを折れ曲がったりねじれたままにしておくと、ホースの内部が損傷して、早期故障を引き起こします。



ホースの上に重い物を落とさないで下さい。強い衝撃によって、ホース内部のワイヤストランドが損傷する恐れがあります。損傷しているホースに圧力をかけると、破裂する恐れがあります。



重要： 油圧装置は、ホースやスィベルカブラを使って持ち上げないで下さい。安全に移動させるために、キャリングハンドルやその他の手段を用いて下さい。



注意：油圧装置は、火気や熱源から離して下さい。過熱によって、パッキンやシールが柔らかくなり、液漏れが生じます。また、熱によって、ホース材やパッキンが劣化します。最適な性能を保つには、装置を65℃以上の温度にさらさないで下さい。ホースやシリンダに対する溶接スパッタは避けて下さい。



危険：加圧されているホースには、触れないで下さい。加圧状態のオイルが漏れて皮膚に浸透すると、重大な人身事故の原因となります。オイルが皮膚下にしみ込んだ場合、すぐに医師の診断を受けて下さい。



警告：油圧シリンダは、必ず連結システムで使用して下さい。カブラを接続していないシリンダは使用しないで下さい。シリンダは、極度な過荷重を受けると、部品が破壊されて、重大な人身事故の原因となります。



警告：荷揚げの前に、安定して設置されていることを確かめて下さい。シリンダは、荷物の重量に耐えることができる平面に配置して下さい。適用できる場合は、シリンダベースを使用して、さらに安定性を確保して下さい。シリンダは、ベースやその他の支持物に取り付ける際に、溶接したり変形させないで下さい。



荷物が直接シリンダブランジャ上の中心に置かれ、ない状態は避けて下さい。偏心荷重は、シリンダとブランジャに相当なひずみを与えます。また、荷物が滑ったり落下して、危険な状況を引き起こす恐れがあります。



荷物はサドル全面に渡って均等に配置して下さい。荷物が保護するため、必ずサドルを使用して下さい。



重要：油圧装置は、必ず有資格油圧技術者が整備点検を行って下さい。修理サービスについては、最寄のエナバックサービスセンターにお問い合わせ下さい。保証を受けるためには、必ずエナバックオイルを使用して下さい。



警告：摩耗したり損傷した部品は、すぐにエナバックの純正部品と交換して下さい。市販の標準部品は、破損して、人身事故や器物破損の原因となる場合があります。エナバック製の部品は、高荷重に適合及び耐えるように設計製造されています。



注意：常にハンドルを使ってシリンダを運んでください。ホースを持ってポンプを運ぶと、ホースとポンプが損傷します。

仕様：この説明シートを以下のハンドポンプモデルに使用します。

ハンドルポンプ仕様

モデル	タイプ (速度)	最高圧力定格 psi [bar] [MPa]		ストロークあたりの作動油容積 in3 [cm3]		使用可能作動油容積 in3 [cm3]
EHF-65	1	6,500 [440]		.16 [2.62]		22 [360]
P-18	1	2,850 [200]		.16 [2.62]		22 [360]
P-25	1	2,500 [170]		.58 [9.51]		231 [3786]
P-39, 1003	1	10,000 [700]		.16 [2.62]		43 [705]
P-50	1	5,000 [340]		.29 [4.75]		231 [3786]
P-51	1	3,000 [210]		.25 [4.09]		50 [820]
P-141, 1001	1	10,000 [700]		.055 [.90]		20 [328]
P-391, 1004	1	10,000 [700]		.151 [2.47]		55 [900]
		ステージ1	ステージ2	ステージ1	ステージ2	
P-80, 1006	2	350 [25]	10,000 [700]	.99 [16.23]	.15 [2.46]	140 [2295]
P-84	2	350 [25]	10,000 [700]	.99 [16.23]	.15 [2.46]	140 [2295]
P-142, 1002	2	200 [14]	10,000 [700]	.221 [3.62]	.055 [.90]	20 [328]
P-142AL	2	200 [14]	10,000 [700]	.221 [3.62]	.055 [.90]	9.0 [148]
P-202	2	200 [14]	10,000 [700]	.221 [3.62]	.055 [.90]	55 [900]
P-77	2	200 [14]	10,000 [700]	.63 [16.0]	.094 [2.41]	47 [769]
P-392, 1005	2	200 [14]	10,000 [700]	.687 [11.26]	.151 [2.47]	55 [900]
P-392AL	2	200 [14]	10,000 [700]	.687 [11.26]	.151 [2.47]	55 [900]
P-462	2	200 [14]	10,000 [700]	7.69 [126.00]	.29 [4.75]	462 [7572]
P-464	2	200 [14]	10,000 [700]	7.69 [126.00]	.29 [4.75]	462 [7572]
P-801	2	350 [25]	10,000 [700]	.99 [16.23]	.15 [2.46]	250 [4095]
P-802	2	400 [28]	10,000 [700]	2.40 [39.34]	.15 [2.46]	155 [2540]
P-842	2	400 [28]	10,000 [700]	2.40 [39.34]	.15 [2.46]	155 [2540]

3.0 説明

3.1 モデル P-141, 1001; P-142, 1002; P-202; P-391 1004; P-392, 1005; P-802; P-842

図1と関連する表はハンドポンプモデル P-141, P-142, P-202, P-391, P-392, P-802, P-842の主要構成部品を示しています。併用のエアイベント/注油キャップは偶発的な油ポンプ圧力上昇時の圧力リリーフ弁として働きます。油ポンプ後部ポートは遠隔設置式バルブのタンクポート用として、タンク戻りキットを取り付けて使用できます。キットモデル番号については表1をご覧ください。

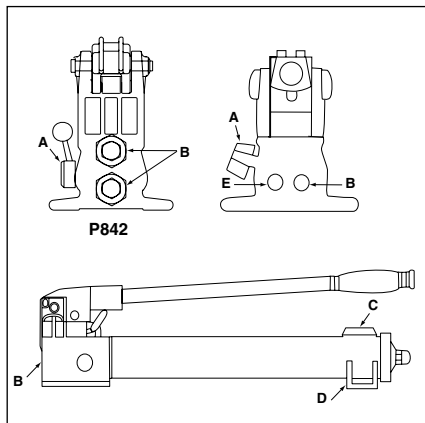


図1

3.2 モデル P-18/P-39, 1003/P-80, 1006/P-84/P-801, P-77

図2と関連する下表はこれらハンドポンプモデルの主要構成部品を示しています。モデルP-84には横動シリンダと共に使用する四方手動3位置弁が装備されています。

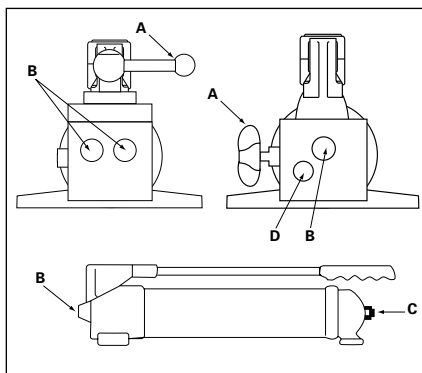


図2

警告：これらのポンプはベント無し油タンクとともに使用されます。油タンクが高圧になった場合は、ケースが破裂して、人身傷害と機器損傷を引き起こします。油タンクが収納可能な量以上の作動油を決して戻さないでください。

表1

図1	P-141, 1001	P-142, 1002	P-202	P-391, 1004	P-392, 1005	P-802	P-842
A	リリース弁	リリース弁	リリース弁	リリース弁	リリース弁	リリース弁	4方手動弁
B	1 / 4 NPTF 吐出口	1 / 4 NPTF 吐出口	1 / 4 NPTF 吐出口	3/8 NPTF 吐出口	3/8 NPTF 吐出口	3/8 NPTF 吐出口	3/8 NPTF 吐出口
C	エアイベント/ 注油キャップ	エアイベント/ 注油キャップ	エアイベント/ 注油キャップ	エアイベント/ 注油キャップ	エアイベント/ 注油キャップ	エアイベント/ 注油キャップ	エアイベント/ 注油キャップ
D	穴付 固定足	穴付固定足	—	—	—	穴付固定足	穴付固定足
E	—	—	—	—	—	タンク戻りポート	—
タンク戻り ポートキット	PC-20	PC-20	PC-25	PC-25	PC-25	—	—

表2

図2	P-18	P-39, 1003	P-77	P-80, 1006	P-84	P-801
A	リリース弁	リリース弁	リリース弁	リリース弁	リリース弁	リリース弁
B	3 / 8 NPTF 吐出口	3 / 8 NPTF 吐出口	3 / 8 NPTF 吐出口	3 / 8 NPTF 吐出口	3/8 NPTF 吐出口	3/8 NPTF 吐出口
C	注油プラグ	注油プラグ	注油プラグ	注油プラグ	注油プラグ	注油プラグ
D	—	—	—	1 / 4 NPTF タンク戻りポート	—	1 / 4 NPTF タンク戻りポート

3.3 モデルP-462 および P-464

図3および下表はハンドポンプモデルP-462の主要な特徴を示しており単動シリンダと共に使用し、P-464は複動シリンダと共に使用します。

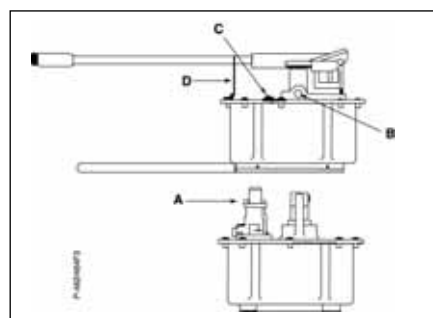


図3 モデル P-462, P-464

表3

図3	P-462	P-464
A	1方手動2位置弁	4方手動5位置弁
B	3/8 NPTF 出口ポート	3/8 NPTF 出口ポート
C	エアイベント/注油キャップ	エアイベント/注油キャップ
D	ハンドクリップ	ハンドクリップ

3.4 モデル P-25, P-50, P-51

図4はハンドポンプモデルP-25 および P-50を示し、両方も両方向に作動するハンドルを装備しています。図5はP-51ハンドポンプを示しています。これらのポンプの主要構成部品は下表に記載されています。

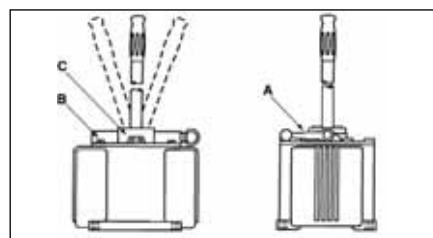


図4 モデル P-25 および P-50

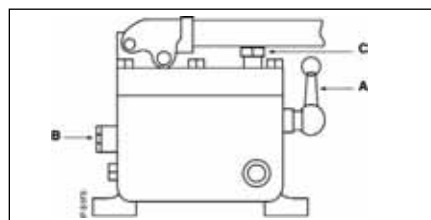


図5 モデルP-51

表4および5

図4および5	P-25	P-50	P-51
A	リリース弁	リリース弁	リリース弁
B	1/4 NPTF 吐出口	1/4 NPTF 吐出口	1/4 NPTF 吐出口
C	エアイベント/ 注油キャップ	エアイベント/ 注油キャップ	エアイベント/ 注油キャップ

4.0 取付け

4.1 ポンプの接続

- ホースをポンプ吐出口にねじ込みます。ホース継手にテフロンシールテープ（あるいは適切なネジシール材）を1/2回巻きます。テープがらぎれてシステム内に入り損傷を引き起こさないようにするため、最初のネジ1山にはテープを巻かないでください。ゆるんだ端を整えます。
- 安全性と制御性をよくするため、ポンプからの吐出口に圧力計を取り付けます。
- ホースをシリンダあるいは油圧工具に接続します。注意：単動シリンダについては、ポンプからシリンダに1本のホースを接続します。複動シリンダでは2本接続します。ポンプの圧力ポートからシリンダの圧力ポートへ1本のホースを接続します。もう1本のホースはポンプの戻りポートからシリンダの戻りポートへ接続します。

4.2 ポンプのエア抜き

下表を見てご購入いただいたポンプがベント型油タンクで、あるいは非ベント型油タンクで作動するか判断してください。ベント型ポンプは性能的に少し優れています。ナイロン油タンク付きのポンプについては、エアイベント/注油キャップを1/4回転反時計方向に回してエア抜きします。他のポンプはポンプの表示を見てください。オイル漏れを防ぐため、ポンプを輸送する前にエアイベントを閉じてください。

P-80、P-801およびP-84をご使用になる場合は、エアイベントを反時計回りに開けて下さい。またポンプを持ち運ぶ場合などは、オイルがこぼれないようにエアイベントを時計回りに回し閉じて下さい。

エアイベントオプション

EHF-65.....非ベント型	P-202.....両用
P-18.....非ベント型	P-391, 1004.....両用
P-25.....両用	P-77.....ベント型
P-39, 1003.....非ベント型	P-392, 1005.....両用
P-50.....両用	P-392AL.....ベント型
P-51.....ベント型	P-462.....ベント型
P-80, 1006.....非ベント型	P-464.....ベント型
P-84.....非ベント型	P-801.....非ベント型
P-141, 1001.....両用	P-802.....両用
P-142, 1002.....両用	P-842.....両用
P-142AL.....非ベント型	

4.3 ポンプの位置

下表をみて、ご購入いただいたポンプが水平タイプか垂直タイプか判断してください。

P-80、P-801およびP-84を縦向きにご使用になる際は、必ず吐出口を下向き（地）にしてエアイベントを同様に反時計回りに開けて下さい、なお吐出口を上向き（天）にしては、ベントポートからオイルこぼれてしまう為、ご使用になれません。

作動取り付け位置

EHF-65.....	高用	P-202.....	高用
P-18.....	高用	P-391, 1004.....	高用
P-25.....	水平のみ	P-77.....	高用
P-39, 1003.....	高用	P-392, 1005.....	高用
P-50.....	水平のみ	P-392AL.....	高用
P-51.....	水平のみ	P-462.....	水平のみ
P-60, 1006.....	高用	P-464.....	水平のみ
P-84.....	高用	P-801.....	高用
P-141, 1001.....	高用	P-802.....	高用
P-142, 1002.....	高用	P-842.....	高用
P-142AL.....	高用		

注意：ポンプを垂直位置で使用する場合は、ホース端は下向きにしなければなりません。さもないとポンプはエアを吸い込み圧力が立たなくなります。

5.0 動作

5.1 ポンプを使う前に

1. すべてのシステム継手と接続口が締め付けられて漏れないかチェックします。
2. ポンプを運転する前に、油タンクの作動油レベルをチェックします。7ページの「ポンプへの作動油の追加」を参照ください。



注意：ポンプのハンドルには決して延長棒を取り付けたりしないでください。ハンドルを延長するとポンプの作動が不安定になります。



警告：特定の状況では、ポンプのハンドルは「キックバック」することがあります。常に体はポンプの横に位置して、ハンドルの力がかかる線の上からは離れてください。

注意：高圧でのハンドルの影響を低減するには、短くストロークさせてください。最大のご作用はストロークの最後の5. で得られます。

5.2 スピードポンプの使用

これらのポンプには2段階吐出があります。無負荷では、ポンプは急速前進のため大流量第1段階でポンプが作動します。負荷が加わると、圧力を立てるため、ポンプは自動的に第2段階へシフトします。P-462 または P-464 モデルでは、ポンプ圧力がおよそ 1.4 MPa に達すると、オペレータはポンプ動作を止めハンドルを持ち上げて、高圧段階へシフトしなければなりません。P-802 または P-842 では、ポンプ圧力がおよそ 2.8 MPa に達すると、オペレータはポンプ動作を止めハンドルを持ち上げて、高圧段階へシフトしなければなりません。ポンプがシフト後、ポンプ動作はスムーズに行われます。

注意：最高の性能を得るには、大流量第1段階中に適当な速度でハンドルを操作します。第1段階でハンドルを急激に動かすと、ポンプから大容量の作動油が吐出されなくなります。

5.3 単動用途、リリース弁付き

1. 図6に示すように、時計方向に回してリリース弁を開じます



注意：リリース弁を手締めのみで閉めます。リリース弁に工具を使うと弁を損傷し、ポンプの故障を引き起こします。

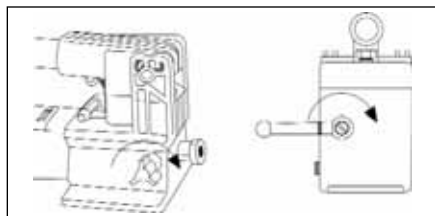


図6

2. 油圧動力をシステムに送るためポンプのハンドルを操作します。リリース弁を開けるまで圧力が保持されます。
3. リリース弁を開け（反時計方向に回します）て圧力を逃して、作動油を油タンクに戻します。

5.4 単動用途、3方2位置手動弁付き

1. 図7に示すように、バルブハンドルを1位置へ切り換えます。
2. ポンプを運転して油圧動力をシステムへ送り出します。圧力はバルブを切り換えるまで保持されます。
3. 作動油を油タンクへ戻すために、バルブハンドルを2位置へ切り換えます。

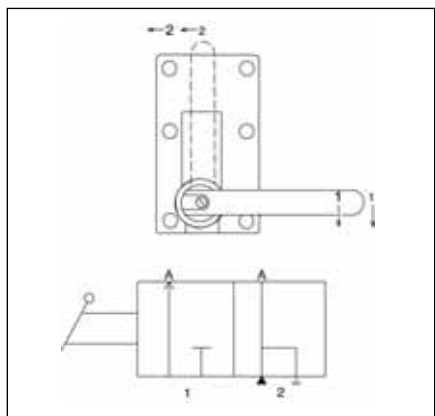


図7

5.5 複動用途、4方3位置手動弁

4方制御弁付きポンプは複動シリンダを操作するために設計されました。図8：バルブ位置

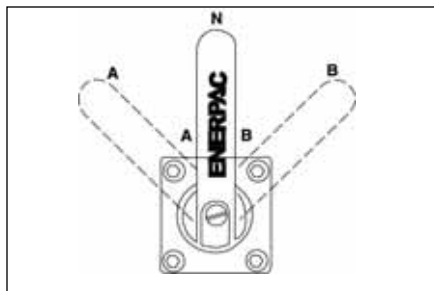


図8a

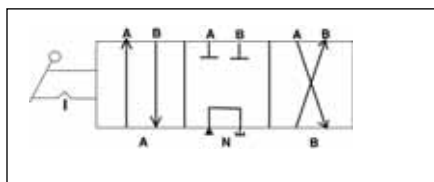


図8b

- 4方弁の位置レバーで以下のように機能を選択します：
 - 吐出はポート“A”へ；ポート“B”は油タンクへ戻る。
 - 中立；ポート“A”と“B”はブロックされる。
 - 吐出はポート“B”へ；ポート“A”は油タンクへ。
- ポンプを運転して作業を実行。
- 必要に応じてバルブ位置が変化する。

警告： 両方のホースがポンプに接続されているときのみ、複動シリンダを操作する。1つのカブラが未接続に残っていたら、高圧がカブラの端部に立って、人身傷害や装置の損傷を引き起こします。

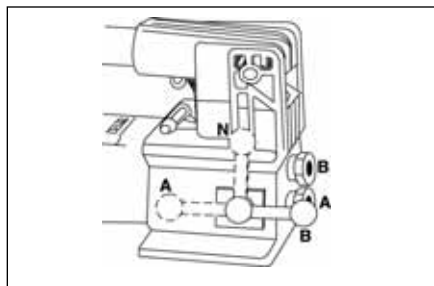


図8c

5.6 リリーフ弁の調整

すべてのポンプにはシステムの過度の圧力上昇を防ぐ安全弁が組み込まれています。低圧設定も可能です。お近くの認定エナパックサービスセンターへご相談ください。

6.0 エア抜き

シリンダシステムからエアを抜くと、シリンダの前進、戻りがスムーズになります（図9参照）。

6.1 単動シリンダ (A) 付きポンプ

- ポンプの油タンクのエア抜きをして、リリース弁を閉じる。
- ポンプをシリンダよりも高い位置に置きます。
- ピストン側を下にして（引きシリンダ使用の場合は上）シリンダを置きます。下の図9参照。
- ポンプを運転してシリンダを完全に突き出します（引きシリンダ使用の場合は戻します）。
- リリース弁を開いて、シリンダを戻します（引きシリンダ使用の場合は前進）。これにより中のエアがポンプ油タンクまで動きます。
- 以上のステップを繰り返します。
- 必要に応じて、作動油を追加します。図7参照。
- エアイベント/注油キャップを作動位置へ戻します。

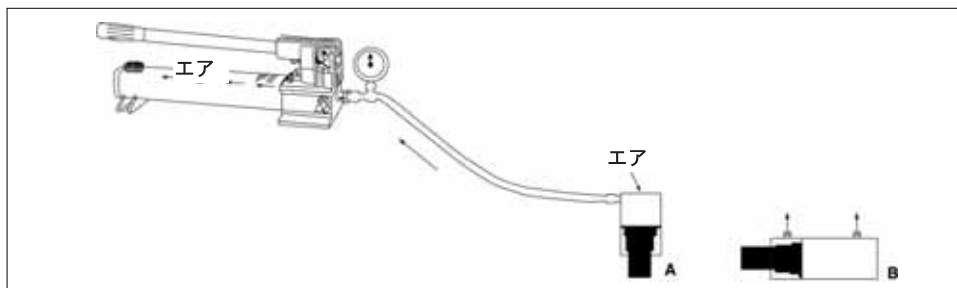


図9

6.2 推動シリンダ (B) 付きポンプ

1. ポンプ油タンクのエア抜きをします。(ベント型ポンプのみ)
2. ポンプをシリンダよりも高い位置にします。
3. シリンダを水平な位置に置きます。図9参照。
4. シリンダを前進一杯位置、戻り一杯位置で2.3回動かします。
5. 必要に応じて、上記ステップを繰り返します。
6. 必要に応じて作動油を追加します。7ページ参照。
7. エアVENT/注油キャップ。

7.0 メンテナンス

エナバック作動油のみを使用してポンプ寿命を伸ばし、保証を守ります。バイトンおよび EPR シールキットは手動ポンプによっては入手可能です。これらの製品および用途についての情報はお近くのエナバック代理店へお問い合わせ下さい。

7.1 ポンプへの作動油の追加

定期的な作動油レベルのチェック



警告: 常にシリンダが一杯戻った状態で(引きシリンダの場合は出た状態で)作動油を追加します。さまなければ、システムに油タンクが収容可能な量以上の作動油が入ってしまいます。

1. 油タンクからエアVENT/注油キャップを取り外します。
2. ポンプに示されたレベルマークまで油タンクに注油します。
3. 必要に応じて、システムからエアを除去します。6ページ参照。エア抜き後作動油レベルを再チェックする。
4. エアVENT/注油キャップを適当な位置に戻す。

注意: 非ベント型ハンドポンプは、適切に作動するために油タンクの中にエアを必要とします。油タンクが完全に注油されると、真空となり、オイルがポンプから流れ出るのを防まなければなりません。

7.2 油圧配管ラインを清潔に維持する

カブラハーフが取り外されると、常にダストキャップをネジ止めします。異物はポンプ、シリンダ、バルブの故障の原因となるので、細心の注意を払ってゴミが入らないようにします。

7.3 ポンプの潤滑

ポンプの寿命を伸ばし、性能を向上するには、ローラベアリンググリースを使用して、ビームピン (A)、クロスピン (B)、ピストンヘッド (C) を潤滑します。

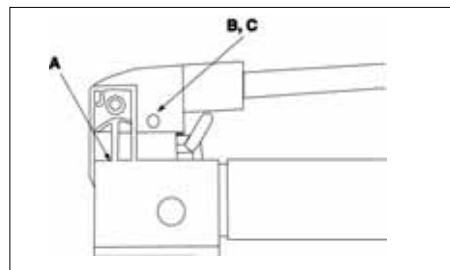


図10

7.4 作動油の交換

1. すべての作動油を排出して、清潔なエナバック作動油を12ヶ月ごとに充填します。ポンプを汚れた環境で使用する場合は、より頻繁に作動油を交換します。
2. エアVENT/注油キャップまたはプラグを油タンクから取り外します。
3. ポンプを傾けて、古い作動油を排出します。
4. ポンプに表示されたレベルマークまで油タンクに充填します。
5. エアVENT/注油キャップを元に戻します。
6. 古い油を適切に処理します。

8.0 トラブルシューティング

以下の情報は問題があるかどうかを決める一助とするためのものです。修理の際は、お近くの認定エナバックサービスセンターまでご連絡ください。

トラブルシューティング		
問題	考えられる原因	処置
シリンダが前進しない、ゆっくり前進する、急激に前進する	<ol style="list-style-type: none"> 1. ポンプの油タンクの作動油レベルが低い。 2. 返し弁が開いている。 3. 油圧カブラがゆるんでいる。 4. 負荷が重たすぎる。 5. システムにエアが入っている。 6. シリンダピストンが引っかかる。 	<ol style="list-style-type: none"> 1. 58ページのメンテナンス説明に従って作動油を追加する。 2. リリース弁の閉鎖。 3. すべてのカブラが十分に締め付けられているかチェックする。 4. 定格トン数以上持ち上げようとしない。 5. 57ページの説明に従ってエア抜きをする。 6. シリンダに損傷がないかチェックする。資格を持った油圧技術者にシリンダの点検整備をしてもらう。
シリンダは前進するが、圧力を保持しない。	<ol style="list-style-type: none"> 1. 接続口の漏れ。 2. シール部の漏れ。 3. ポンプの内部漏れ。 	<ol style="list-style-type: none"> 1. すべての接続口が締め付けられ、漏れがないかチェックする。 2. 漏れを突き止めて、資格を持った油圧技術者に点検整備をしてもらう。 3. 資格を持った油圧技術者にポンプの点検整備をしてもらう。
シリンダが戻らない、途中で戻る、通常よりさらにゆっくり戻る	<ol style="list-style-type: none"> 1. リリース弁の開鎖。 2. ポンプ油タンクの過充填。 3. 油圧カブラのゆるみ。 4. システム内にエアが入っている。 5. ホース内径が狭すぎる。 6. シリンダ戻りバネの破損、その他のシリンダ損傷 	<ol style="list-style-type: none"> 1. リリース弁を開く。 2. フルマークまで作動油を排出する。作動油の追加に際し、58ページの説明を参照する。 3. すべてのカブラが十分に締め付けられているかチェックする。 4. 57ページの説明に従ってエアを取り除く。 5. 大きいサイズの油圧ホースを使う。 6. 資格を持った油圧技術者にシリンダの点検整備をしてもらう。

L1763 Rev I 03/09

在Enerpac网站www.enerpac.com可找到该产品的维修说明书, 或者与Enerpac联系。

1.0 重要收货说明

检查所有零件是否存在运输损伤。运输过程中的损伤不在质保范围。如发现运输过程中的损伤, 请立即通知承运商。其有责任承担由运输损坏造成的修理及更换费用。

安全第一

2.0 安全条例



阅读所有说明书、警告及注意事项。操作时, 遵守一切安全规则, 避免发生人身伤害及财产损失。如果用户由于非安全生产, 缺乏正常维护, 操作或使用不当而造成的人身伤害及财产损失, Enerpac 不负任何责任。如对安全防范及措施有任何疑问, 请与 Enerpac 联系。如果您在高压液压方面从未接受过培训, 请联系您本地的分销商或服务中心进行免费的 Enerpac 液压安全培训课程。

不遵守下列警示及防范条例, 将会造成设备损坏及人身伤害。

注意-用来说明正确的操作、维护程序以及如何避免伤害或损坏设备及其他财产。

警告-说明一种潜在的 danger, 要求有正确的程序和习惯以避免人身伤害。

危险-仅是指您的某个动作(或缺乏某个动作)可能导致严重的伤害甚至死亡事故。

警告: 当操作高压液压系统时应配备正确的劳动保护装备。

警告: 不要在液压力支撑的负载下逗留。当油缸被用作顶升负载的装置时, 绝对不能作为负载支撑装置来使用。在负载被顶升或下降后, 必须采用机械装置牢固支撑。

警告: 必须使用刚性物体来支撑重物。仔细选择能够承受重物的钢或者木块来支撑系统的窗口。不要在顶升或挤压应用中将液缸当作垫块使用。

危险: 为避免人身伤害, 操作中手脚与油缸和工件保持一定距离。

警告: 在顶升负载时, 绝对不要超过油缸额定负载。超载将导致设备损坏和人身伤害。油缸的设计最大压力为 700bar, 不要将油缸和千斤顶连接在更高压力等级的泵上。

警告 系统的最大工作压力决不能超过系统中最低压力等级原件的最大工作压力。安装压力表在系统中以检测系统压力。压力表是您观察液压系统的窗口, 不要拆除或篡改。

注意: 绝对不要将安全阀的压力设定高于泵的最高压力等级。过高的设定会导致设备损坏和人身伤害。

注意: 避免损坏软管。在排放软管时应避免过度弯曲和绞结软管。使用过度弯曲或绞结的软管将会产生极大的背压。过度弯曲和绞结软管将损坏软管内部结构, 从而导致油管过早失效。



避免 将重物砸压在油管上。剧烈的冲击会对油管内部钢丝编织产生损害。给有损伤的油管加压会导致油管爆裂。



重要: 严禁用软管或旋转接头来提起液压设备。应使用搬运手柄或其他安全方式。



注意: 使液压设备远离明火或过热器。过热会软化衬垫和密封, 导致油液泄漏。热量也会软化软管材料和包装。工作时的最佳工作状况。不要让设备处于 65°C 或更高温度中。保护软管和油缸免受焊接火花的喷溅。



危险: 不要用触摸挤压状态的软管。飞溅出的压力油能射穿皮肤, 导致严重的伤害。如有压力油溅到皮肤上, 请立即去看医生。



警告: 只能在系统全部连接好后才能使用油缸。决不能在系统未完全连接时使用油缸。如果油缸极度超载, 各部件将产生不可挽回的损坏, 其结果导致极为严重的人身伤亡。



警告: 在顶升负载前应确保安装件的稳定性。油缸应放置在一个可承受负载的平坦平面上。在一些应用中可使用油缸底座提高油缸稳定性。不要用焊接或其他更改方法加固油缸底座。



避免: 负载的力作用线没有穿过油缸活塞杆的中心。偏心负载将会在油缸和活塞杆上产生相当大的张力, 此外负载也可能偏移和倒下产生潜在危险。



将负载作用力完全分配到整个底座表面。始终使用底座保护活塞杆。



重要: 液压设备必须由有资质的液压技术人员维护, 如需修理维护, 请与您区域内的 ENERPAC 授权服务中心联系。请使用 ENERPAC 液压油, 以保护 ENERPAC 对您设备的质量保证。



警告: 及时用正确的 ENERPAC 零件替换已磨损或已损坏的零件。普通级别的零件会破裂, 导致人身伤害和财产损失。ENERPAC 零部件被设计来承受高压载荷。



注意: 始终使用手柄来搬运泵。使用软管来搬运泵可能损坏软管和/或泵。

3.0 说明

3.1 型号 P-141, 1001 P-142, 1002 P-202 P-391, 1004 P-392, 1005 P-802 P-842

图1 和下面相应的表格列出了 P-141, P-142, P-202, P-391, P-392, P-802 和 P-842 型手动泵的主要部件。双功能的排气/加油盖可作为油箱受到意外挤压时的溢流阀。为检测程阀在油箱后部提供一个通道, 使用了一个溢油装置。溢油装置的型号见下表。

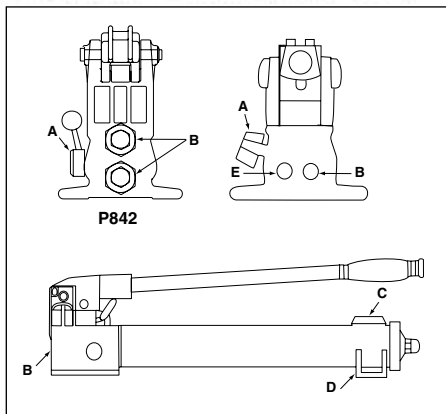


图1

3.2 型号 P-18/P-39, 1003/P-80, 1006/P-84/P-801, P-77

图2 和下面相应的表格列出了这些型号手动泵的主要部件。P-84 型手动泵装备了一个三位四通阀以使用双作用油缸。如需将 P-18 手动泵或 P-39 手动泵改成脚踏式, 需订购附件 PC-10。

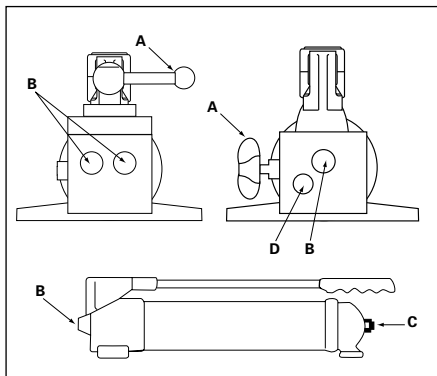


图2



警告: 这些型号的是无油箱排气口。如油箱经常承受高压, 油箱壳体可能会破裂导致设备损坏和 (或) 人身伤害。决不要将超过油箱容积的油回入油箱。

说明 —— 适用于本使用说明书中下列型号的手动泵。

手动泵特性说明						
型号	速度类别	最大压力等级 psi [bar]		每行程排量 in ³ [cm ³]		可用油箱容积 in ³ [cm ³]
EHF-65	1	6,500 [440]		0.16 [2.62]		22 [360]
P-18	1	2,850 [200]		0.16 [2.62]		22 [360]
P-25	1	2,500 [170]		0.58 [9.51]		231 [3786]
P-39, 1003	1	10,000 [700]		0.16 [2.62]		43 [705]
P-50	1	5,000 [340]		0.29 [4.75]		231 [3786]
P-51	1	3,000 [210]		0.25 [4.09]		50 [820]
P-141, 1001	1	10,000 [700]		0.055 [.90]		20 [328]
P-391, 1004	1	10,000 [700]		0.151 [2.47]		55 [900]
		一级	二级	一级	二级	
P-80, 1006	2	350 [25]	10,000 [700]	0.99 [16.23]	0.15 [2.46]	140 [2295]
P-84	2	350 [25]	10,000 [700]	0.99 [16.23]	0.15 [2.46]	140 [2295]
P-142, 1002	2	200 [14]	10,000 [700]	0.221 [3.62]	0.055 [.90]	20 [328]
P-142AL	2	200 [14]	10,000 [700]	0.221 [3.62]	0.055 [.90]	9.0 [148]
P-202	2	200 [14]	10,000 [700]	0.221 [3.62]	0.055 [.90]	55 [900]
P-77	2	200 [14]	10,000 [700]	0.63 [16]	0.094 [2.41]	47 [769]
P-392, 1005	2	200 [14]	10,000 [700]	0.687 [11.26]	0.151 [2.47]	55 [900]
P-392AL	2	200 [14]	10,000 [700]	0.687 [11.26]	0.151 [2.47]	55 [900]
P-462	2	200 [14]	10,000 [700]	7.69 [126.00]	0.29 [4.75]	462 [7572]
P-464	2	200 [14]	10,000 [700]	7.69 [126.00]	0.29 [4.75]	462 [7572]
P-801	2	350 [25]	10,000 [700]	0.99 [16.23]	0.15 [2.46]	250 [4095]
P-802	2	400 [28]	10,000 [700]	2.40 [39.34]	0.15 [2.46]	155 [2540]
P-842	2	400 [28]	10,000 [700]	2.40 [39.34]	0.15 [2.46]	155 [2540]

3.3 型号 P-462 和 P-464

图 3 和下面相应的表格列出了这些型号手动泵的主要特性。P-462 使用于单作用油缸，P-464 使用于双作用油缸。

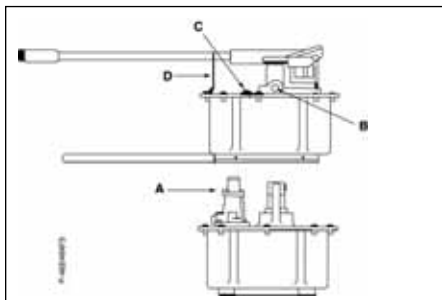


图 3 型号 P-462 和 P-464

表 3		
图 3	P-462	P-464
A	两位三通阀	两位三通阀
B	3/8 NPTF 输出口	3/8 NPTF 输出口
C	排气/加油盖	排气/加油盖
D	手柄头	手柄头

3.4 型号 P-25, P-50 和 P-51

图 4 所示为 P-25, P-50 型手动泵。这两种型号的泵都装备了一个可双向操作的手柄。图 5 所示为 P-51 型手动泵。下面相应的表格列出了这些型号手动泵的主要部件。

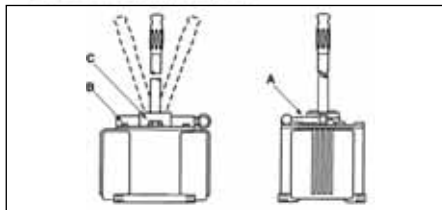


图 4. 型号 P-25 和 P-50

表 1							
图 1	P-141, 1001	P-142, 1002	P-202	P-391, 1004	P-392, 1005	P-802	P-842
A	卸荷阀	卸荷阀	卸荷阀	卸荷阀	卸荷阀	卸荷阀	四通阀
B	1/4 NPTF 输出口	1/4 NPTF 输出口	1/4 NPTF 输出口	3/8 NPTF 输出口	3/8 NPTF 输出口	3/8 NPTF 输出口	3/8 NPTF 输出口
C	排气/加油盖	排气/加油盖	排气/加油盖	排气/加油盖	排气/加油盖	排气/加油盖	排气/加油盖
D	安装槽	安装槽	—	—	—	安装槽	安装槽
E	—	—	—	—	—	回油口	—
回油装置	PC-20	PC-20	PC-25	PC-25	PC-25	—	—

表 2							
图 2	P-18	P-39, 1003	P-77	P-80, 1006	P-84	P-801	
A	卸荷阀	卸荷阀	卸荷阀	卸荷阀	卸荷阀	卸荷阀	
B	3/8 NPTF 输出口	3/8 NPTF 输出口	3/8 NPTF 输出口	3/8 NPTF 输出口	3/8 NPTF 输出口	3/8 NPTF 输出口	
C	加油塞	加油塞	加油塞	加油塞	加油塞	加油塞	
D	—	—	—	1/4 NPTF 回油口	—	1/4 NPTF 回油口	

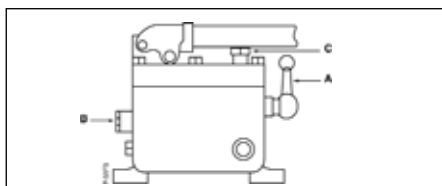


图 5. 型号 P-51

表 4 C5			
图 4 C5	P-25	P-50	P-51
A	卸荷阀	卸荷阀	卸荷阀
B	1/4 NPTF 输出口	1/4 NPTF 输出口	3/8 NPTF 输出口
C	排气/加油盖	排气/加油盖	排气/加油盖

4.0 安装说明

4.1 泵的管路连接

- 软管接入泵的外接口。使用 1 1/2 圈特氟龙带（或其他缠绕密封材料）缠在软管接头上。缠绕的第一圈应不被密封带覆盖，以免密封带脱落进入液压系统产生危害。剪去松散的密封带尾部。
- 为安全和更好地控制系统，需在泵的压力管路中安装一个压力表。
- 将软管连接到所使用的油缸或工头上。

提示：对于单作用油缸，在油缸和泵之间连接一根软管。对于双作用油缸，在油缸和泵之间连接两根软管，其中一根软管连接泵的压力口和油缸的压力油口，另一根软管连接泵的回油口和油缸的回油口。

4.2 泵的排气性

参见下表决定你所选用的泵是否带有一个排气的油筒。有排气的泵具有较好的性能。带有尼龙油箱的泵，把排气盖逆时针转 1/4 转，就能排气。对于其他泵参见泵上的标记。在运输中关闭排气盖以免漏油。P-80、P-801 和 P84 注油时将阀按逆时针方向旋转，要关闭注油口，将阀按顺时针方向旋转。

排气选择			
EHF-65	无排气	P-202	两者皆有
P-18	无排气	P-391, 1004	两者皆有
P-25	两者皆有	P-77	有排气
P-39, 1003	无排气	P-392, 1005	两者皆有
P-50	两者皆有	P-392AL	有排气
P-51	有排气	P-462	有排气
P-80, 1006	无排气	P-464	有排气
P-84	无排气	P-801	无排气
P-141, 1001	两者皆有	P-802	两者皆有
P-142, 1002	两者皆有	P-842	两者皆有
P-142AL	无排气		

4.3 泵的工作位置

见下表决定你所选用泵的正确工作位置，水平还是垂直。
P-80、P-801和P-84在垂直方向使用时不能进行加油。

操作位置			
EHF-65	两者皆有	P-202	两者皆有
P-18	两者皆有	P-391, 1004	两者皆有
P-25	只能水平	P-77	两者皆有
P-39, 1003	两者皆有	P-392, 1005	两者皆有
P-50	只能水平	P-392AL	两者皆有
P-51	只能水平	P-462	只能水平
P-80, 1006	两者皆有	P-464	只能水平
P-84	两者皆有	P-801	两者皆有
P-141, 1001	两者皆有	P-802	两者皆有
P-142, 1002	两者皆有	P-842	两者皆有
P-142AL	两者皆有		

提示：当泵采用垂直位置安装时，软管端必须向下，否则泵将吸空不能建立适当的压力。

5.0 操作说明

5.1 开机准备

1. 检查系统的安装和连接是否紧固，无泄漏。
2. 开泵前检查油箱液面，参见第 11 页上的“加油说明”。

注意： 决不能加长泵的手柄。加长手柄泵的操作与运行将不稳定。

警告： 在某些情况泵手柄会产生回弹。始终站在泵的一侧，以远离手柄回弹力范围。

提示：为在高压状态操作手柄省力，可采用短行程。在最后 5° 的行程内作用力是最大的。

5.2 使用双级泵

这些泵提供两级流量，在无负载时，泵在大流量的第一级工作，快速前进。当连接负载时，泵自动转换到第二级进而建立压力。对于 P-462 或 P-464 型泵，当泵压力接近大约 200 psi [14 bar] 时，你必须立刻停泵并且抬高手柄来转换到高压级。对于 P-802 或 P-842 型泵，当泵压力接近大约 400 psi [28 bar] 时，你必须立刻停泵并且抬高手柄来转换到高压级。在转换后，泵的压力会降低一些。

提示：为产生最好的运行状态，在大流量的第一级，应该用中速操作手柄。较快的手柄操作速度将使泵吸油不充分。

5.3 带有卸荷阀的单作用应用

1. 如图 6 所示沿顺时针方向关闭卸荷阀。

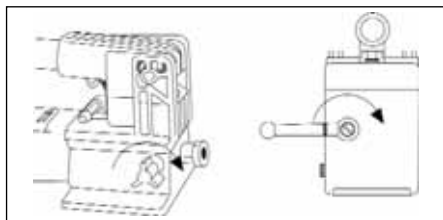


图 6

注意： 卸荷阀只能用手动轻轻关闭。使用工具开关卸荷阀将使其损坏或使泵发生故障。

2. 操作泵手柄将液压输入系统。压力将维持到卸荷阀打开。
3. 打开卸荷阀（沿逆时针方向旋转）来卸掉压力，使液压油流回油箱。

5.4 带有二位三通手动阀的单作用应用

1. 如图 1 将阀手柄打到位置 1。
2. 操作泵的手柄将液压输入系统。系统压力将维持到阀位置改变。
3. 为使油流回油箱，可将阀手柄打到位置 2。

5.5 带有三位四通手动阀的双作用应用

带有四通控制阀的泵是专为双作用油缸设计的。阀的位置功能见图 8。

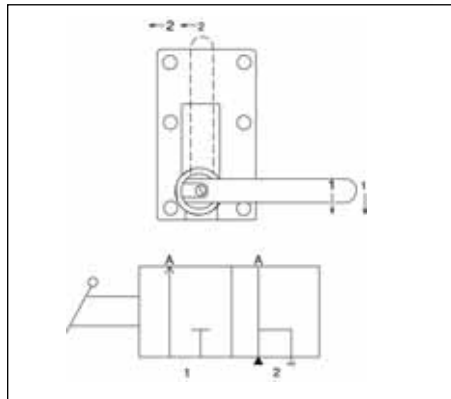


图 7

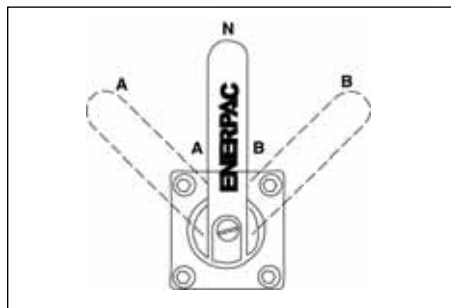


图 8a

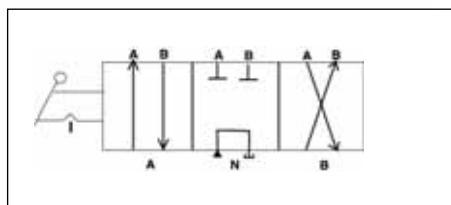


图 8b

1. 下面列出了四通阀的各位置功能。
(A) 液压油流向 A 口，B 口油流向油箱
(N) 中位，A 口和 B 口封闭
(B) 液压油流向 B 口，A 口油流向油箱

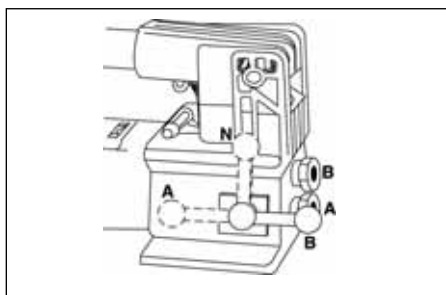


图 8c

- 操作泵完成工作。
- 根据需要改变阀的位置。

警告：只有在两根软管都接在泵上时，才能启动双作用油缸。如有一个接头未被连接，油路中会产生高压，将会引起设备损坏和（或）人身伤害。

5.6 溢流阀的调整

所有的泵都包含一个出厂调整好的溢流阀来限制系统压力过高。低压设置也是可以获得的，请与 Enerpac 授权的服务中心联系。

6.0 油中气体的排出

将液压系统中空气排出，可帮助油缸平稳地前进或回缩。

6.1 用于单作用油缸的泵 (A)

- 打开泵的油箱排气口（只限于可排气泵），关闭卸荷阀。
- 将泵放置于高于油箱的位置。
- 将油缸的活塞向下放置（如是拉力油缸则活塞向上放置），参见下图 9。
- 操作泵将油缸完全伸出（如拉力油缸则油缸完全缩回）。
- 打开卸荷阀缩回油缸（如是拉力油缸则油缸伸出），这将强制使溶于油中的空气上升至油箱中。
- 如有必要重复以上步骤。
- 必要时加油。见第 7 页。
- 将排气/加油盖旋回到工作位置。

6.2 用于双作用油缸的泵 (B)

- 打开泵的油箱排气口（只限于可排气泵）。
- 将泵放置于高于油箱的位置。
- 将油缸水平放置，油口向上。参见下图 9。
- 将油缸完全伸出或缩回 2~3 次。
- 如有必要重复以上步骤。
- 必要时加油。见第 7 页。
- 将排气/加油盖旋回到工作位置。

7.0 维护

请使用 Enerpac 液压油以延长泵的使用寿命和保护 Enerpac 对您的质量保证。对于某些聚丁腈橡胶和 EPDM 密封附件是可使用的，如需这些产品和应用的更多信息请和您的 Enerpac 代理人联系。

7.1 泵的加油

定期检查液面



警告：始终在油缸完全缩回（如是拉力油缸则油缸完全伸出）状态下加油否则系统容纳的油将超过油箱所能容纳的油。

- 从油箱上拿开加油/排气盖。
- 将油箱中油加至泵上标记的水平。
- 如有必要应将系统油中的空气排出，见第 6 页，排气后重新检查液面。
- 将加油/排气盖旋回至相应位置。

提示：无排气口手动泵要求在油箱中有一定的空气来完成正确的功能。如果油箱完全充满油，真空压力将阻止油流出泵。

7.2 保持油路清洁

当快速接头的两端没有连接时，一定将防尘帽戴上。使用所有的预防措施来保护设备新绝物进入。因为外部物质可能导致泵、油缸和阀失效。

7.3 泵的润滑

为了延长泵的使用寿命和提高性能，用滚动轴承油脂定期润滑支承销 (A)、十字销 (B)，和柱塞头 (C)，见图 10。

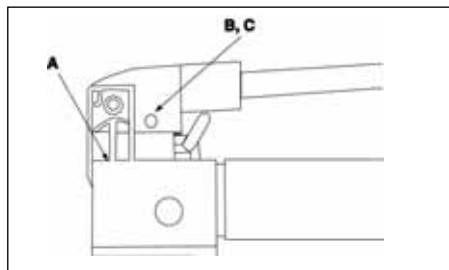
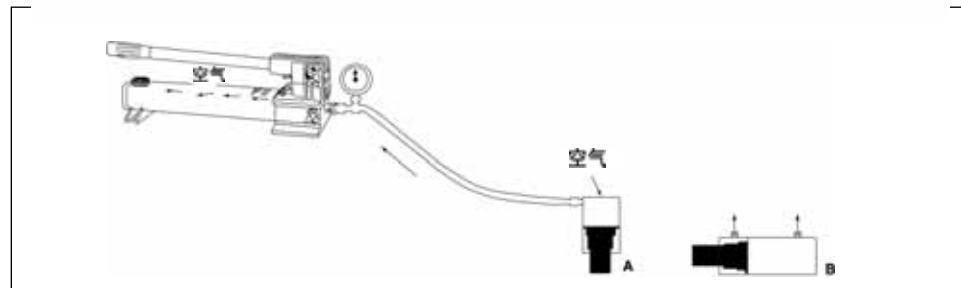


图 10

7.4 换油

- 每 12 个月要排光所有的液压油并重新注入清洁的 Enerpac 液压油。如果泵在污染较重的工作中工作，要更经常地换油。
- 拿开油箱排气盖或塞。
- 倾斜泵排光废油。
- 将油箱中油加至泵上标记的位置。
- 旋好排气盖或塞。
- 把用过的油合理地处理掉。



下面的信息帮助你判断是否有问题存在。如需要维修服务，请与本地区 Enerpac 授权的服务中心联系。

故障诊断

问题	可能原因	解决方法
油缸不前进、前进较慢或突然前进（爬行）	<ol style="list-style-type: none"> 1. 泵的油路液面过低 2. 卸荷阀打开 3. 液压接头松动 4. 负载太重 5. 系统中有空气 6. 油缸活塞卡死 	<ol style="list-style-type: none"> 1. 按第 6 页维修说明加油 2. 关闭卸荷阀 3. 检查并拧紧所有接头 4. 不要尝试超载 5. 按第 6 页说明排出油中空气 6. 检查油缸的损坏情况。请与资质的液压技术人员来修理油缸
油缸可以前进，但不能建立压力	<ol style="list-style-type: none"> 1. 连接处有泄漏 2. 密封处有泄漏 3. 油泵内部泄漏 	<ol style="list-style-type: none"> 1. 检查所有的连接处是否牢固无泄漏 2. 确定泄漏位置。请与资质的液压技术人员来维修设备 3. 请与资质的液压技术人员来维修
油缸不能收回，部分收回或收回慢于正常速度	<ol style="list-style-type: none"> 1. 卸荷阀关闭 2. 泵油箱内油过多 3. 液压接头松动 4. 系统中有空气 5. 软管内径太小 6. 油缸密封装置断裂或其他油缸损坏 	<ol style="list-style-type: none"> 1. 打开卸荷阀 2. 排油使液面平滑标志线。见第 6 页加油说明。 3. 检查并拧紧所有接头 4. 按第 6 页说明排出油中空气 5. 使用内径较大的液压软管 6. 请与资质的液压技术人员来维修

L1763 Svenska Rev I 03/09

Reservdelar till den här produkten finns tillgängliga på Enerpacs webbsida på adressen www.enerpac.com, eller hos din närmaste auktoriserade återförsäljare för Enerpac eller på Enerpacs försäljningskontor.

1.0 VIKTIGA INSTRUKTIONER FÖRE ANVÄNDNING

Gör en visuell undersökning av alla komponenter för att se eventuella transportskador. Transportskador täcks **inte** av garantin. Om du upptäcker en transportskada skall du omedelbart informera leverantören. Leverantören ansvarar för alla kostnader för reparationer och byten som uppstår på grund av transportskada.

SÄKERHET

2.0 SÄKERHETSFRÅGOR



Läs samtliga instruktioner, varningar och meddelanden noggrant. Följ samtliga säkerhetsföreskrifter för att undvika personskada eller skada på egendom under användningen. Enerpac ansvarar inte för skador som uppstår på grund av oaktsam användning, brist på underhåll eller felaktig användning och/eller systemhantering. Kontakta Enerpac om du är osäker på något som gäller säkerhetsanvisningarna och hanteringen. Kontakta återförsäljaren för att få en säkerhetsutbildning kostnadsfritt för Enerpacs hydraulik, om du aldrig tidigare har fått utbildning i hydraulisk säkerhet för högtryckslösningar.

Om du underlåter att följa anvisningarna och varningarna kan det leda till skada på utrustningen eller personskada.

Ett **OBS**-meddelande används för att indikera korrekta drifts- och underhållsprocedurer för att förhindra skada på utrustningen eller egendom.

En **WARNING** indikerar en potentiell fara som kräver korrekta metoder eller övningar för att undvika personskada.

FARA används endast om du riskerar allvarlig personskada eller till och med livet på grund av en åtgärd eller brist på åtgärd.



WARNING: Använd rätt skyddsutrustning när du hanterar hydrauliska utrustningar.



WARNING: Håll dig på avstånd från last som drivs med hydraulik. En cylinder som används som en enhet för lyft av last skall aldrig användas som en enhet för hållning av last. Efter att lasten har höjts eller sänkts måste den spärras mekaniskt.



WARNING: ANVÄND ENDAST FASTA DELAR FÖR ATT HÅLLA LASTEN. Välj noggrant ut block av stål eller trä som klarar av att stödja lasten.

Använd aldrig en hydraulcylinder som mellanlägg i någon lyft- eller tryck tillämpning.



FARA: Håll händer och fötter på behörigt avstånd från cylinder och arbetsstycke för att undvika personskada vid användningen.



WARNING: Överskrid inte utrustningens märkningsuppgifter. Försök aldrig lyfta en last som väger mer än cylindern klarar. Överbelastning orsakar skada på utrustningen och möjlig personskada. Cylindrarna är utformade för ett maximalt tryck på 700 bar [10 000 psi]. Anslut inte ett uttag eller en cylinder till en pump med högre tryckmärkning.



FARA: Ställ aldrig in en tryckbegränsningsventil till ett högre tryck än det maximala tryck som anges för pumpen. Högre inställningar kan leda till skada på utrustningen och/eller personskada. Avlägsna inte tryckbegränsningsventilen.



WARNING: Systemets arbetstryck får inte överskrida den komponent som har det lägsta märktrycket i systemet. Installera tryckmätning i systemet för att övervaka arbetstrycket. Detta är din möjlighet att få inblick i vad som händer i systemet.



OBS! Undvik att skada den hydrauliska slangen. Undvik skarpa böjar och att slangarna snor sig när du drar dem. Om du använder en böjd eller snodd sladd kan det orsaka högt baktryck. Skarpa böjar och öglor skadar slangen invändigt, vilket leder till att den går sönder i förväg.



Tappa inte tunga föremål på slangen. Om du gör det kan det leda till invändiga skador på slangens linor. Om det anläggs tryck på en skadad slang kan det leda till att slangen går av.



VIKTIGT: Lyft inte den hydrauliska utrustningen i slangarna eller kopplingarna. Använd ett handtag eller något annat transportsätt.



OBS! Förvara den hydrauliska utrustningen på **behörigt avstånd från hög värme**. Överdriven värme kan leda till att packningar och tätningar mjukas upp och att vätska läcker ut. Värmen försvagar även slangen och packningarna. För optimal prestanda skall utrustningen inte utsättas för temperaturer på 65 °C [150 °F] eller högre. Skydda slangar och cylindrar från svetsloppor.



FARA: Hantera inte slangar med tryck. Olja som läcker ut under tryck kan penetrera huden, vilket kan orsaka allvarlig skada. Om oljan skulle penetrera huden skall du omedelbart uppsöka läkare.



WARNING: Använd hydraulcylindrar i ett inkopplat system. Använd aldrig en cylinder med oanslutna kopplingar. Om cylindrarna överbelastas kan komponenterna gå söner med katastrofalt resultat, vilket kan orsaka allvarlig personskada.



WARNING: SÄKERSTÄLL ATT INSTALLATIONEN ÄR STABIL INNAN NÅGON LAST LYFTES. Cylindrar bör placeras på en plan yta som stöder lasten. Använd vid behov en bottenplatta för extra stabilitet. Utför inga svetsarbeten eller andra modifieringar för att montera cylindern till en bottenplatta eller annat stöd.



Undvik situationer där lasten inte är direkt centrerad mot cylinderkolven. Last som inte är centrerad orsakar avsevärd belastning på cylindrar och kolvar. Dessutom kan lasten halka eller ramla av, vilket kan leda till allvarliga skador.



Fördela lasten jämnt över hela sadelns yta. Använd alltid en sadel för att skydda kolven.



VIKTIGT: Hydraulisk utrustning får endast underhållas av en hydraulisk fackman. Kontakta dit närmaste auktoriserade ENERPAC Service Center för reparation och underhåll. Använd endast ENERPAC-olja för att skydda garantin.



WARNING: Ersätt slitna eller skadade delar omedelbart med ENERPACS originaldelar. Andra delar kan gå sönder och orsaka personskada eller skada på egendom. ENERPACS delar är utformade för att passa perfekt och stå emot höga belastningar.



OBS! Använd alltid handtaget för att bära pumpen. Om du bär pumpen i slangen kan det leda till skada på slangen och/eller pumpen.

SPECIFICATIONER – Använd instruktionskortet för följande handpumpmodeller.						
Specifikationer för handpumpar						
Modell	Typ (Hastighet)	Maximalt tryck Märkning psi [bar]		Oljevolym per slag in3 [cm3]		Oljevolym in3 [cm3]
EHF-65	1	6,500 [440]		.16 [2.62]		22 [360]
P-18	1	2,850 [200]		.16 [2.62]		22 [360]
P-25	1	2,500 [170]		.58 [9.51]		231 [3786]
P-39, 1003	1	10,000 [700]		.16 [2.62]		43 [705]
P-50	1	5,000 [340]		.29 [4.75]		231 [3786]
P-51	1	3,000 [210]		.25 [4.09]		50 [820]
P-141, 1001	1	10,000 [700]		.055 [.90]		20 [328]
P-391, 1004	1	10,000 [700]		.151 [2.47]		55 [900]
		1:a steget	2:a steget	1:a steget		2:a steget
P-80, 1006	2	350 [25]	10,000 [700]	.99 [16.23]	.15 [2.46]	140 [2295]
P-84	2	350 [25]	10,000 [700]	.99 [16.23]	.15 [2.46]	140 [2295]
P-142, 1002	2	200 [14]	10,000 [700]	.221 [3.62]	.055 [.90]	20 [328]
P-142AL	2	200 [14]	10,000 [700]	.221 [3.62]	.055 [.90]	9.0 [148]
P-202	2	200 [14]	10,000 [700]	.221 [3.62]	.055 [.90]	55 [900]
P-77	2	200 [14]	10,000 [700]	.63 [16.0]	.094 [2.41]	47 [769]
P-392, 1005	2	200 [14]	10,000 [700]	.687 [11.26]	.151 [2.47]	55 [900]
P-392AL	2	200 [14]	10,000 [700]	.687 [11.26]	.151 [2.47]	55 [900]
P-462	2	200 [14]	10,000 [700]	7.69 [126.00]	.29 [4.75]	462 [7572]
P-464	2	200 [14]	10,000 [700]	7.69 [126.00]	.29 [4.75]	462 [7572]
P-801	2	350 [25]	10,000 [700]	.99 [16.23]	.15 [2.46]	250 [4095]
P-802	2	400 [28]	10,000 [700]	2.40 [39.34]	.15 [2.46]	155 [2540]
P-842	2	400 [28]	10,000 [700]	2.40 [39.34]	.15 [2.46]	155 [2540]

3.0 BESKRIVNING

3.1 Modeller P-141, 1001; P-142, P-202; P-391, 1004; P-392, 1005; P-802; P-842

Bild 1 och korresponderande tabell visar huvudkomponenterna för handpumpmodellerna P-141, P-142, P-202, P-391, P-392, P-802 och P-842. Den dubbelverkande ventilen verkar som tryckbegränsningsventil vid tryck i behållaren. Använd en sats för Återgång-till-tank för att erbjuda en åtkomstport för ventilerna till den bakre delen av behållaren. Se tabell 1 för satsernas modellnummer.

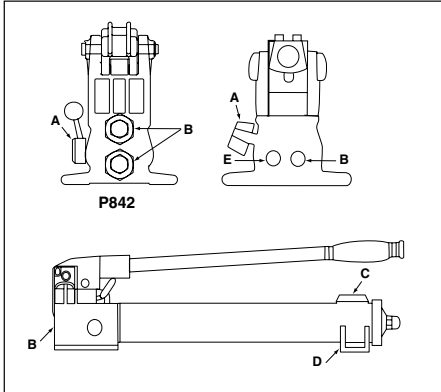


Bild 1

3.2 Modeller P-18/P-39, 1003/P-80, 1002P-84/P-801, P-77

Bild 2 och överensstämmande tabell visar huvudkomponenterna för dessa modeller av handpump. Modell P-84 är utrustad med en 4-vägs, 3-positionsventil för användning med dubbelverkande cylindrar. Beställ satsen PC-10 för att omvandla modellerna P-18 eller P-39 till fotmanövrerade modeller.

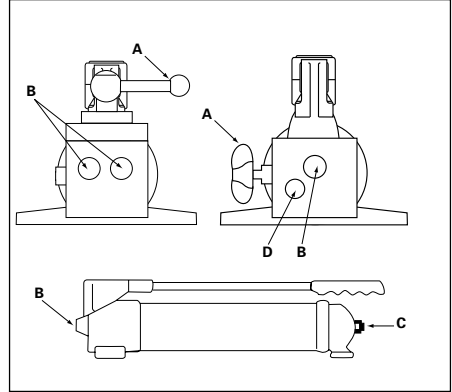


Bild 2



VARNING: De här pumparna drivs med en ventillös behållare. Om behållaren utsätts för högt tryck kan det leda till bristningar, vilket kan orsaka personskada och/eller skada på utrustningen. Försök **ALDRIG** att fylla på mer olja i behållaren än den har kapacitet för.

Tabell 1

Fig. 1	P-141, 1001	P-142, 1002	P-202	P-391, 1004	P-392, 1005	P-802	P-842
A	Avlastningsventil	Avlastningsventil	Avlastningsventil	Avlastningsventil	Avlastningsventil	Avlastningsventil	4-vägsventil
B	1/4 NPTF Utloppsöppning	1/4 NPTF Utloppsöppning	1/4 NPTF Utloppsöppning	3/8 NPTF Utloppsöppning	3/8 NPTF Utloppsöppning	3/8 NPTF Utloppsöppning	3/8 NPTF Utloppsöppning
C	Lufthål/Tank- påfyllning	Lufthål/Tank- påfyllning	Lufthål/Tank- påfyllning	Lufthål/Tank- påfyllning	Lufthål/Tank- påfyllning	Lufthål/Tank- påfyllning	Lufthål/Tank- påfyllning
D	Monterings- skårar	Monterings- skårar	—	—	—	Monterings- skårar	Monterings- skårar
E	—	—	—	—	—	Tankretur	—
Tankretur- Sats	PC-20	PC-20	PC-25	PC-25	PC-25	—	—

Tabell 2

Fig. 2	P-18	P-39, 1003	P-77	P-80, 1006	P-84	P-801
A	Avlastningsventil	Avlastningsventil	Avlastningsventil	Avlastningsventil	Avlastningsventil	Avlastningsventil
B	3/8 NPTF Utloppsöppning	3/8 NPTF Utloppsöppning	3/8 NPTF Utloppsöppning	3/8 NPTF Utloppsöppning	3/8 NPTF Utloppsöppning	3/8 NPTF Utloppsöppning
C	Fyllnadsplugg	Fyllnadsplugg	Fyllnadsplugg	Fyllnadsplugg	Fyllnadsplugg	Fyllnadsplugg
D	—	—	—	1/4 NPTF Tankretur	—	1/4 NPTF Tankretur

3.3 Modeller P-462, P-464

Bild 3 och tabellen nedan visar huvudfunktionerna för handpumpmodellerna P-462, för användning med enkelverkande cylindrar, och P-464, för användning med dubbelverkande cylindrar.

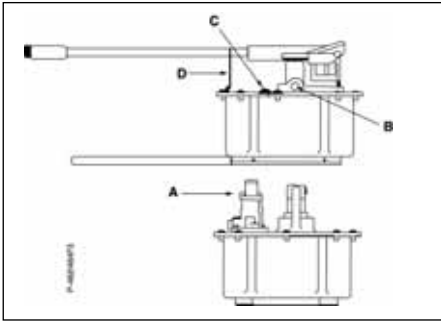


Bild 3, Modeller P-462, P-464

Tabell 3		
Fig. 3	P-462	P-464
A	3/2-positionsventil	4/3-positionsventil
B	3/8 NPTF Utloppsöppning	3/8 NPTF Utloppsöppning
C	Lufthål/Tankpåfyllning	Lufthål/Tankpåfyllning
D	Handtagsklämma	Handtagsklämma

3.4 Modeller P-25, P-50, P-51

Bild 4 visar handpumpmodellerna P-25 och P-50, som båda är utrustade med ett handtag som går att manövrera i båda riktningarna. Bild 5 visar handpumpen P-51. Huvudkomponenterna för dessa pumpar anges i tabellen nedan.

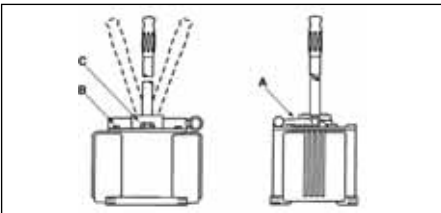


Bild 4, Modeller P-25, P-50

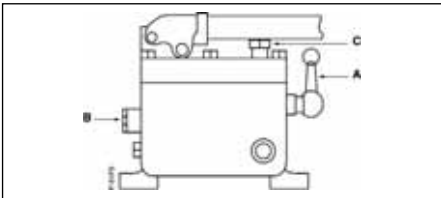


Bild 5, Model P-51

Tabell 4 - 5			
Fig. 4 & 5	P-25	P-50	P-51
A	Avlastningsventil	Avlastningsventil	Avlastningsventil
B	1/4 NPTF Utloppsöppning	1/4 NPTF Utloppsöppning	1/4 NPTF Utloppsöppning
C	Lufthål/Tankpåfyllning	Lufthål/Tankpåfyllning	Lufthål/Tankpåfyllning

4.0 Installation

4.1 Ansluta pumpen

- Trä i slangen i pumpens utlopp. Använd ett och ett halvt varv tejp i lämpligt material vid monteringen av slangen och låt den första slangfibern vara helt fri från tejp för att undvika att tejen kommer i kontakt med hydraulsystemet. Detta kan annars leda till skador. Klipp lösa delar.
- Installera en tryckmätning för pumpen för högre säkerhet och bättre kontroll.
- Anslut slangen/slangarna till cylindern eller verktyget. Obs! Anslut en slang från pumpen till cylindern för enkelverkande cylindrar. Anslut två slangar för dubbelverkande cylindrar. Anslut en slang från pumpens tryckport till cylinderns. Anslut en annan slang från pumpens tillbakagångsport till cylinderns.

4.2 Pumpens ventilsystem

Se tabellen nedan för att avgöra om pumpen ska drivas med en behållare med eller utan ventilsystem. Ventildrivna pumpar erbjuder något bättre prestanda. Vrid ventilen/locket en fjärdedels varv moturs för att öppna den på pumpar med behållare i nylon. Se pumpdekalen på andra pumpar. Stäng ventilen före transport för att förhindra oljeläckage. P-80, P-801 och P-84 ventileras genom att vrida ventilen moturs. För att stänga ventilationen, vrid ventilen medurs.

VENTILATION

EHF-65	Utan ventilation	P-202	Antingen
P-18	Utan ventilation	P-391, 1004	Antingen
P-25	Antingen	P-77	Med ventilation
P-39, 1003	Utan ventilation	P-392, 1005	Antingen
P-50	Antingen	P-392AL	Med ventilation
P-51	Med ventilation	P-462	Med ventilation
P-80, 1006	Antingen	P-464	Med ventilation
P-84	Antingen	P-801	Utan ventilation
P-141, 1001	Antingen	P-802	Antingen
P-142, 1002	Antingen	P-842	Antingen
P-142AL	Utan ventilation		

4.3 Pumposition

Se tabellen nedan för att avgöra korrekt arbetsposition för pumpen (horisontellt eller vertikalt). P-80, P-801 och P-84 kan inte ventileras när de används i vertikalt läge.

ARBETSPOSITION

EHF-65	Antingen	P-202	Antingen
P-18	Antingen	P-391, 1004	Antingen
P-25	Endast horisontellt	P-77	Antingen
P-39, 1003	Antingen	P-392, 1005	Antingen
P-50	Endast horisontellt	P-392AL	Antingen
P-51	Endast horisontellt	P-462	Endast horisontellt
P-80, 1006	Antingen	P-464	Endast horisontellt
P-84	Antingen	P-801	Antingen
P-141, 1001	Antingen	P-802	Antingen
P-142, 1002	Antingen	P-842	Antingen
P-142AL	Antingen		

Obs! Vid användning av pumpen i vertikalt läge måste slangen peka nedåt, annars kan pumpen ta in luft och då byggs inte trycket upp ordentligt.

5.0 DRIFT

5.1 Innan du använder pumpen

1. Kontrollera att systemets alla kopplingar är täta och befriade från läckage.
2. Kontrollera oljenivån i behållaren innan pumpen tas i bruk. Se "Fylla på olja på pumpen", sidan 7.



OBS! Koppla ALDRIG in några tillägg till pumphandtaget. Tillägg orsakar instabil drift för pumpen.



WARNING: I vissa lägen kan det hända att pumphandtaget "slår tillbaka". Stå alltid med kroppen på pumpens sida, på avstånd från handtagets rörelsebanor.

Obs! För att minska handtagets kraft vid högt tryck är det viktigt att dra korta drag. Maximal effekt uppnås vid slagets sista 5°.

5.2 Använda tvåhastighetspumpar

Dessa pumpar erbjuder ett tvåstegsflöde. Utan belastning arbetar pumpen i det första stadiet med högt flöde, vilket ger snabb avancering. När lasten anbringas växlar pumpen automatiskt till det andra stadiet för att bygga upp trycket. För modellerna P-462 eller P-464 måste du omedelbart avbryta pumpningen och höja handtaget för att växla till högtrycksläget när pumstrycket uppnår 200 psi [14 bar]. För modellen P-802 eller P-842 måste du omedelbart avbryta pumpningen och höja handtaget för att växla till högtrycksläget när pumstrycket uppnår 400 psi [28 bar]. Efter att pumpen har växlat kräver pumpningen mindre kraft.

Obs! För att uppnå bästa prestanda ska du arbeta med pumphandtaget under en måttlig hastighet med det första stadiet. Hög hastighet i första stadiet förhindrar pumpen från att leverera full oljevolymer.

5.3 Enkelverkande tillämpningar med avlastningsventil

1. Stäng tryckbegränsningsventilen genom att vrida den medurs, enligt Bild 6.

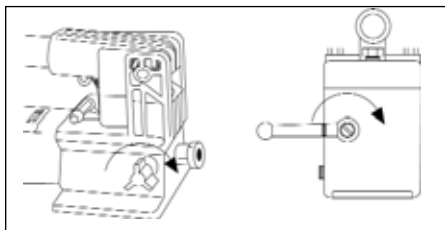


Bild 6



OBS: Stäng av avlastningsventilen med finarna. En för hård åtdragning kan förstöra ventilen.

2. Manövrera pumphandtaget för att leverera hydraulisk kraft till systemet. Trycket bibehålls tills tryckbegränsningsventilen öppnas.
3. Öppna tryckbegränsningsventilen (vrid moturs) för att släppa på trycket och låta oljan flöda tillbaka in i behållaren.

5.4 Enkelverkande tillämpningar med 3-vägs, manuell 2-positionventil

1. Vrid ventilhandtaget till position 1 enligt bild 7.
2. Manövrera pumphandtaget för att leverera hydraulisk kraft till systemet. Trycket bibehålls tills ventilen växlas.
3. För att tillåta återflöde till behållaren vrider du ventilhandtaget till position 2.

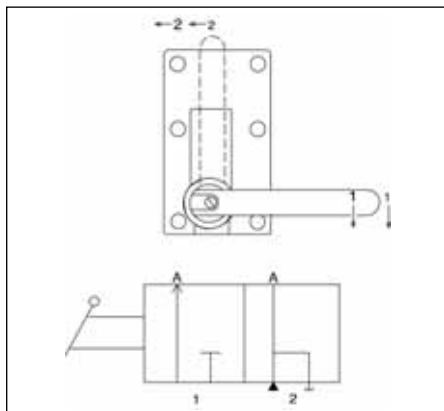


Bild 7

5.5 Dubbelverkande tillämpningar med 4-vägs, manuell 3-positionventil

Pumpar med 4-vägs reglerventiler är utformade för att driva dubbelverkande cylindrar. Se bild 8 för ventilpositioner.

Bild 8a

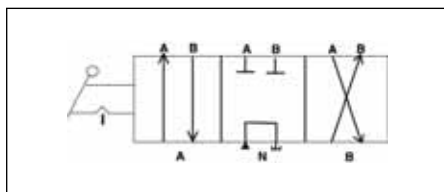
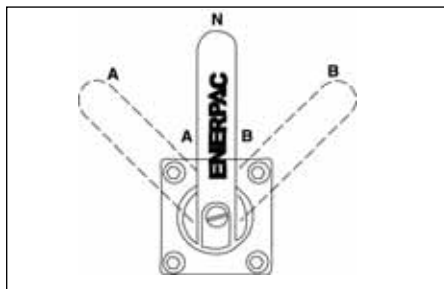


Bild 8b

- Placera spaken på 4-vägsventilen för att välja funktion enligt följande:
 - Flöde till port "A"; port "B" sänder tillbaka flödet till behållaren
 - Neutral; portarna "A" och "B" är spärrade
 - Flöde till port "B"; port "A" sänder tillbaka flödet till behållaren.
- Sätt igång pumpen för att starta arbetet.
- Ändra ventilposition enligt behov.

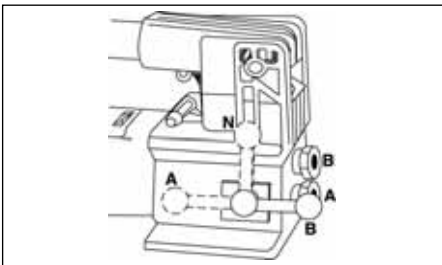


Bild 8c



WARNING: Använd endast den dubbelverkande cylindern när båda slangarna är anslutna till pumpen. Om kopplaren inte ansluts kan det bli för högt tryck bakom kopplaren, vilket kan orsaka personskada och/eller skada på utrustningen.

5.6 Tryckbegränsningsventil

Alla pumpar innehåller en fabriksinstallerad tryckbegränsningsventil för att undvika övertryck i systemet. Det går att erhålla lägre tryckinställningar. Kontakta ditt auktoriserade Enerpac Service Center.

6.0 LUFTUTSLÄPP

Att avlägsna luft ur hydraulsystemet hjälper cylindern att öka och minska mjukt och smidigt (se bild 9).

6.1 Pump med enkelverkande cylinder (A)

- Ventilera pumpbehållaren (endast för pumpar med ventil) och stäng tryckbegränsningsventilen.
- Placera pumpen högre än cylindern.
- Placera pumpen med kolvändan nedåt (uppåt om du använder en dragcylinder) Se bild 9 nedan.
- Starta pumpen för att dra ut cylindern helt (dra tillbaka om du använder en dragcylinder)

- Öppna tryckbegränsningsventilen (dra tillbaka om du använder en dragcylinder). Detta gör att luften som finns i pumpbehållaren släpps ut.
- Upprepa stegen ovan enligt behov.
- Tillsätt olja vid behov. Se sidan 7.
- Återställ ventilen/locket till arbetsläge.

6.2 Pump med dubbelverkande cylinder (B)

- Ventilera pumpbehållaren (endast för pumpar med ventil).
- Placera pumpen högre än cylindern.
- Ställ cylindern i horisontellt läge med öppna portar. Se bild 9.
- Öka och minska cylindern 2 till 3 gånger.
- Upprepa stegen ovan enligt behov.
- Tillsätt olja vid behov. Se sidan 7.
- Återställ ventilen/locket till arbetsläge.

7.0 UNDERHÅLL

Använd endast Enerpacs hydraulolja för dessa pumpar för att främja lång livslängd och skydda garantin. Viton och EPR tätningssatser finns tillgängliga för vissa handpumpar. Kontakta din återförsäljare för Enerpac för ytterligare information om produkterna och dess tillämpningsområden.

7.1 Fylla på olja på pumpen

Kontrollera oljenivån regelbundet



WARNING: Tillsätt alltid oljan när cylindrarna är helt förminskade (tillbakadragna om det är dragcylindrar). Annars kommer systemet att innehålla mer olja än behållaren har kapacitet för.

- Avlägsna ventilen från behållaren.
- Fyll endast behållaren till nivåmarkeringen som visas på pumpen.
- Avlägsna luft från systemet vid behov. Se sidan 6. Kontrollera oljenivån på nytt efter att du har luftat enheten.
- Återställ ventilen till arbetsläge.

Obs! Pumpar som inte har ventiler kräver luft i behållaren för att fungera korrekt. Om behållaren är helt fylld bildas ett vakuum som förhindrar olja från att flöda ut i pumpen.

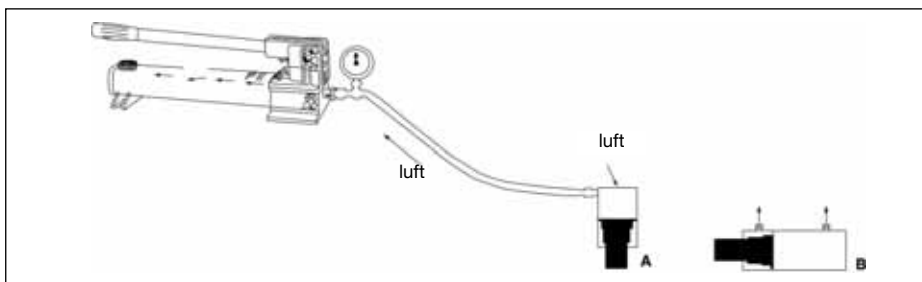


Bild 9

7.2 Hålla oljeledningarna rena

När kopplarens halv or inte är anslutna skall du alltid skruva på dammkåpor. Vidta alla försiktighetsåtgärder som är möjliga, eftersom smuts kan orsaka att pumpen, cylindern eller ventilen slutar fungera.

7.3 Smörja pumpen

För att förlänga livslängden för pumpen och förbättra prestandan skall du smörja tappen (A), krysstappen (B) och kolbotten (C) regelbundet med en roller insmord i lagerfett. Se bild 10.

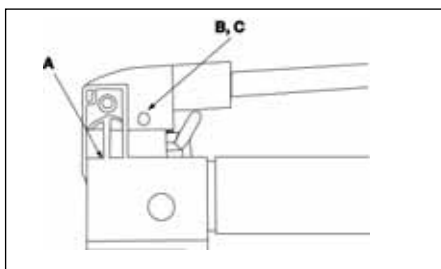


Bild 10

7.4 Byta olja

1. Dränera all olja och fyll på ny och ren olja från Enerpac i 12-månadersintervall. Om pumpen används i smutsiga miljöer är det lämpligt att byta olja oftare.
2. Avlägsna ventilen eller pluggen från behållaren.
3. Luta pumpen för att tömma ut all olja.
4. Fyll endast behållaren till nivåmarkeringen som visas på pumpen.
5. Avlägsna ventilen eller pluggen.
6. Hantera oljeavfallet på ett korrekt sätt.

8.0 FELSÖKNING

Följande information är avsedd att vara en hjälp för att fastställa ett existerande problem. Kontakta ditt närmaste auktoriserade ENERPAC Service Center för reparation och underhåll.

FELSÖKNING		
Problem	Möjlig orsak	Lösning
Cylindern ökar inte i volym, den ökar långsamt eller den ökar ryckvis.	<ol style="list-style-type: none">1. Oljenivån i pumpbehållaren är låg.2. Tryckbegränsningsventilen är öppen.3. Lös hydraulisk kopplare.4. Lasten är för tung.5. Luft i systemet.6. Cylinderkolv kärvar.	<ol style="list-style-type: none">1. Fyll på olja enligt instruktionerna under Underhåll på sidan 6.2. Stäng tryckbegränsningsventilen.3. Kontrollera att alla kopplare är helt åtdragna.4. Försök inte lyfta mer än den kraft som anges.5. Släpp ut luft enligt instruktionerna under på sidan 6.6. Kontrollera om cylindern har några skador. Se till att cylindern underhålls av en kvalificerad hydraultekniker.
Att avlägsna luft ur hydraulsystemet hjälper cylindern att öka och minska mjukt och smidigt (se bild 9).	<ol style="list-style-type: none">1. Läckande anslutning.2. Läckande packningar.3. Internt läckage i pumpen.	<ol style="list-style-type: none">1. Kontrollera att alla anslutningar är fria från läckage.2. Lokalisera läckage och se till att en hydraulisk tekniker reparerar utrustningen.3. Se till att pumpen underhålls av en kvalificerad hydraultekniker.
Cylindern minskar inte, minskar delvis eller minskar långsammare än normalt.	<ol style="list-style-type: none">1. Tryckbegränsningsventilen är stängd.2. Pumpens behållare är överfylld.3. Lös hydraulisk kopplare.4. Luft i systemet.5. Slang I.D. för trång.6. Cylinderåtergångsfjäders är trasig eller det finns en annan cylinderskada.	<ol style="list-style-type: none">1. Öppna tryckbegränsningsventilen.2. Töm oljenivån till markeringen för fullt. Se sidan 7 för instruktioner om hur du fyller på olja.3. Kontrollera att alla kopplare är helt åtdragna.4. Släpp ut luft enligt instruktionerna under på sidan 6.5. Använd en hydraulslang med större diameter.6. Se till att cylindern underhålls av en kvalificerad hydraultekniker.

L1763 Rev I 03/09

Τα φύλλα ανταλλακτικών επισκευών (REPAIR PARTS SHEETS) για το προϊόν αυτό διατίθενται από το διαδικτυακό τόπο της ENERPAC στη διεύθυνση WWW.ENERPAC.COM ή από το πλησιέστερό σας Εξουσιοδοτημένο κέντρο σέρβις της ENERPAC ή γραφείο πωλήσεων ENERPAC.

1.0 ΣΗΜΑΝΤΙΚΕΣ ΟΔΗΓΙΕΣ ΠΑΡΑΛΑΒΗΣ

Επιθεωρήστε οπτικά όλα τα δομικά στοιχεία για τυχόν ζημιές από τη μεταφορά. Οι ζημιές από τη μεταφορά δεν καλύπτονται από την εγγύηση. Αν βρεθεί ζημιά από τη μεταφορά, ειδοποιήστε αμέσως το μεταφορέα. Ο μεταφορέας είναι υπεύθυνος για όλες τις διαπάνες επισκευής και αντικατάστασης που προκύπτουν από ζημιές από τη μεταφορά.

Η ΑΣΦΑΛΕΙΑ ΠΡΟΗΓΕΙΤΑΙ

2.0 ΘΕΜΑΤΑ ΑΣΦΑΛΕΙΑΣ



Διαβάστε προσεκτικά όλες τις οδηγίες, προειδοποιήσεις και επισημάνσεις προσοχής. Τηρείτε όλα τα προληπτικά μέτρα ασφαλείας για να αποφύγετε τραυματισμό ή υλική ζημιά κατά τη λειτουργία του συστήματος. Η Enerpac δεν μπορεί να είναι υπεύθυνη για οποιαδήποτε ζημιά ή τραυματισμό προκύψει από μη ασφαλή χρήση του προϊόντος, έλλειψη συντήρησης ή λανθασμένο χειρισμό προϊόντος και/ή συστήματος. Επικοινωνήστε με την Enerpac σε περίπτωση αμφιβολίας ως προς τα προληπτικά μέτρα ασφαλείας και τους χειρισμούς. Αν δεν έχετε ποτέ εκπαιδευτεί στην ασφάλεια υδραυλικών συστημάτων υψηλής πίεσης, επικοινωνήστε με τον τοπικό σας διανομέα ή το τοπικό κέντρο σέρβις για δωρεάν σεμινάριο ασφαλείας υδραυλικών συστημάτων από την Enerpac.

Μη τήρηση των κατωτέρω επισημάνσεων προσοχής και προειδοποιήσεων θα μπορούσε να προκαλέσει ζημιά στον εξοπλισμό και τραυματισμό ατόμων.

Μια επίσημηση με τη λέξη ΠΡΟΣΟΧΗ χρησιμοποιείται για να δείξει σωστές διαδικασίες και πρακτικές χειρισμού ή συντήρησης ώστε να προληφθεί ζημιά ή και καταστροφή του εξοπλισμού ή άλλων περιουσιακών στοιχείων.

Μια ΠΡΟΕΙΔΟΠΟΙΗΣΗ επισημαίνει έναν ενδεχόμενο κίνδυνο ο οποίος απαιτεί σωστές διαδικασίες ή πρακτικές για την αποφυγή τραυματισμού ατόμων.

Μια επίσημηση με τη λέξη ΚΙΝΔΥΝΟΣ χρησιμοποιείται μόνον όταν κάποια ενέργειά σας ή απουσία ενέργειάς σας μπορεί να προκαλέσει σοβαρό τραυματισμό ή και θάνατο.



ΠΡΟΕΙΔΟΠΟΙΗΣΗ: Φοράτε σωστό εξοπλισμό ατομικής προστασίας όταν χειρίζεστε υδραυλικό εξοπλισμό.



ΠΡΟΕΙΔΟΠΟΙΗΣΗ: Διατηρείτε απόσταση ασφαλείας από φορτία τα οποία υποστηρίζονται από υδραυλικό σύστημα. Ένας κύλινδρος, όταν χρησιμοποιείται ως διάταξη ανύψωσης φορτίου, δεν θα πρέπει ποτέ να χρησιμοποιείται ως διάταξη συγκράτησης φορτίου. Μετά την ανύψωσή του ή το χαμηλώματά του, το φορτίο πρέπει πάντα να ασφαλιζεται μηχανικά.



ΠΡΟΕΙΔΟΠΟΙΗΣΗ: ΧΡΗΣΙΜΟΠΟΙΕΙΤΕ ΜΟΝΟ ΣΤΑΘΕΡΑ ΤΜΗΜΑΤΑ ΓΙΑ ΤΗ ΣΥΓΚΡΑΤΗΣΗ ΦΟΡΤΙΩΝ. Επιλέγεται προσεκτικά χαλύβδινα ή ξύλινα τμήματα που έχουν την ικανότητα υποστήριξης του φορτίου. Ποτέ μη χρησιμοποιήσετε υδραυλικό κύλινδρο ως διάταξη σφήνωσης ή ως αποσπώσα σε οποιαδήποτε εφαρμογή ανύψωσης ή συμπίεσης.



ΚΙΝΔΥΝΟΣ: Για να αποφύγετε τραυματισμό διατηρείτε τα χέρια και τα πόδια μακριά από τον κύλινδρο και το τεμάχιο εργασίας κατά τη διάρκεια των χειρισμών.



ΠΡΟΕΙΔΟΠΟΙΗΣΗ: Μην υπερβείτε τις ονομαστικές τιμές δυναμικότητας του εξοπλισμού. Ποτέ μην προσπαθήσετε να ανυψώσετε φορτίο το οποίο ζυγίζει περισσότερο από την ανυψωτική ικανότητα του κυλίνδρου. Η υπερφόρτωση προκαλεί βλάβη του εξοπλισμού και ενδεχομένως τραυματισμό ατόμων. Οι κύλινδροι είναι σχεδιασμένοι για μέγιστη πίεση 700 bar [10.000 psi]. Μη συνδέσετε γρύλο ή κύλινδρο σε αντλία με υψηλότερη ονομαστική τιμή πίεσης.



ΚΙΝΔΥΝΟΣ: Ποτέ μη ρυθμίσετε τη βαλβίδα ανακούφισης σε πίεση υψηλότερη από τη μέγιστη ονομαστική πίεση της αντλίας. Οι υψηλότερες ρυθμίσεις μπορεί να έχουν ως

αποτέλεσμα ζημιά στον εξοπλισμό και/ή τραυματισμό ατόμων. Μην αφαιρέσετε τη βαλβίδα ανακούφισης.



ΠΡΟΕΙΔΟΠΟΙΗΣΗ: Η πίεση λειτουργίας του συστήματος δεν πρέπει να υπερβεί την ονομαστική τιμή πίεσης του εξαρτήματος με τη μικρότερη ονομαστική τιμή πίεσης στο σύστημα. Τοποθετήστε όργανα ένδειξης πίεσης στο σύστημα για να παρακολουθείτε την πίεση λειτουργίας. Αυτά είναι το παράθυρό σας σε ότι συμβαίνει μέσα στο σύστημα.



ΠΡΟΣΟΧΗ: Αποφεύγετε την πρόκληση ζημιάς σε εύκαμπτο υδραυλικό σωλήνα. Αποφεύγετε απότομες κινήσεις και τσακίσματα κατά τη δρομολόγηση εύκαμπτων υδραυλικών σωλήνων. Η χρήση απότομα κερτωμένου ή τσακισμένου εύκαμπτου σωλήνα θα προκαλέσει πολύ έντονη πίεση αντίθλιψης. Οι απότομες κινήσεις και τα τσακίσματα θα προκαλέσουν εσωτερική ζημιά στον εύκαμπτο σωλήνα με αποτέλεσμα πρόωρη βλάβη του.



Μη ρίχνετε βαριά αντικείμενα πάνω στον εύκαμπτο σωλήνα. Ένα απότομο χτύπημα μπορεί να προκαλέσει εσωτερική ζημιά στους συμμάτινους κλώνους του εύκαμπτου σωλήνα. Η εφαρμογή πίεσης σε έναν εύκαμπτο σωλήνα που έχει υποστεί ζημιά μπορεί να προκαλέσει τη θραύση του.



ΣΗΜΑΝΤΙΚΟ: Μην ανυψώνετε υδραυλικό εξοπλισμό από τους εύκαμπτους σωλήνες ή τους περιστρεφόμενους συζεύκτες.

Χρησιμοποιείτε τη λαβή μεταφοράς ή άλλα μέσα ασφαλούς μεταφοράς.



ΠΡΟΣΟΧΗ: Κρατάτε τον υδραυλικό εξοπλισμό μακριά από φλόγες και θερμότητα. Η υπερβολική θερμότητα θα μαλακώσει τα παρεμβύσματα και τις στεγανοποιήσεις, με αποτέλεσμα διαρροές του υγρού. Η θερμότητα επίσης εξασθενεί τα υλικά των εύκαμπτων σωλήνων και τα παρεμβύσματα. Για βέλτιστη απόδοση μην εκθέσετε τον εξοπλισμό σε θερμοκρασίες πάνω από 65 °C [150 °F]. Προστατεύετε τους εύκαμπτους σωλήνες και τους κυλίνδρους από πιτσιλιές συγκόλλησης.



ΚΙΝΔΥΝΟΣ: Μη χειρίζεστε εύκαμπτους σωλήνες υπό πίεση. Λάδι που τυχόν διαφύγει υπό πίεση μπορεί να διεισδύσει στο δέρμα, προκαλώντας σοβαρό τραυματισμό. Αν εισχωρήσει λάδι κάτω από το δέρμα, δείτε άμεσα γιατρό.



ΠΡΟΕΙΔΟΠΟΙΗΣΗ: Χρησιμοποιείτε υδραυλικούς κυλίνδρους μόνο σε συζευγμένο σύστημα. Ποτέ μη χρησιμοποιείτε έναν κύλινδρο με μη συνδεδεμένους συζεύκτες. Αν ο κύλινδρος υπερφορτωθεί εξαιρετικά, τα δομικά του στοιχεία μπορεί να υποστούν καταστροφική βλάβη και να προκληθεί σοβαρότατος τραυματισμός ατόμων.

ΠΡΟΔΙΑΓΡΑΦΕΣ - Χρησιμοποιήστε το παρόν φύλλο οδηγιών για τα ακόλουθα μοντέλα χειραντλίας.

Προδιαγραφές χειραντλίας						
Μοντέλο	Τύπος (ταχύτητες)	Μέγιστη πίεση Ονομαστική τιμή σε psi [bar]		Όγκος λαδιού ανά διαδρομή in³ [cm³]	Ωφέλιμη ποσότητα λαδιού in³ [cm³]	
EHF-65	1	6,500 [440]		.16 [2.62]	22 [360]	
P-18	1	2,850 [200]		.16 [2.62]	22 [360]	
P-25	1	2,500 [170]		.58 [9.51]	231 [3786]	
P-39, 1003	1	10,000 [700]		.16 [2.62]	43 [705]	
P-50	1	5,000 [340]		.29 [4.75]	231 [3786]	
P-51	1	3,000 [210]		.25 [4.09]	50 [820]	
P-141, 1001	1	10,000 [700]		.055 [.90]	20 [328]	
P-391, 1004	1	10,000 [700]		.151 [2.47]	55 [900]	
		Βαθμίδα 1	Βαθμίδα 2	Βαθμίδα 1	Βαθμίδα 2	
P-80, 1006	2	350 [25]	10,000 [700]	.99 [16.23]	.15 [2.46]	140 [2295]
P-84	2	350 [25]	10,000 [700]	.99 [16.23]	.15 [2.46]	140 [2295]
P-142, 1002	2	200 [14]	10,000 [700]	.221 [3.62]	.055 [.90]	20 [328]
P-142AL	2	200 [14]	10,000 [700]	.221 [3.62]	.055 [.90]	9.0 [148]
P-202	2	200 [14]	10,000 [700]	.221 [3.62]	.055 [.90]	55 [900]
P-77	2	200 [14]	10,000 [700]	.63 [16.0]	.094 [2.41]	47 [769]
P-392, 1005	2	200 [14]	10,000 [700]	.687 [11.26]	.151 [2.47]	55 [900]
P-392AL	2	200 [14]	10,000 [700]	.687 [11.26]	.151 [2.47]	55 [900]
P-462	2	200 [14]	10,000 [700]	7.69 [126.00]	.29 [4.75]	462 [7572]
P-464	2	200 [14]	10,000 [700]	7.69 [126.00]	.29 [4.75]	462 [7572]
P-801	2	350 [25]	10,000 [700]	.99 [16.23]	.15 [2.46]	250 [4095]
P-802	2	400 [28]	10,000 [700]	2.40 [39.34]	.15 [2.46]	155 [2540]
P-842	2	400 [28]	10,000 [700]	2.40 [39.34]	.15 [2.46]	155 [2540]



ΠΡΟΕΙΔΟΠΟΙΗΣΗ: ΠΡΙΝ ΤΗΝ ΑΝΥΨΩΣΗ ΦΟΡΤΙΟΥ ΝΑ ΒΕΒΑΙΩΝΕΣΤΕ ΟΤΙ Η ΕΓΚΑΤΑΣΤΑΣΗ ΕΙΝΑΙ ΕΥΣΤΑΘΗΣ. Οι κύλινδροι θα πρέπει να τοποθετηθούν σε επίπεδη επιφάνεια που μπορεί να υποστηρίξει το φορτίο. Όπου αυτό έχει εφαρμογή, χρησιμοποιήστε μια βάση κυλίνδρου για πρόσθετη σταθερότητα. Μη συγκολλάτε τον κύλινδρο και μην τον τροποποιείτε με άλλο τρόπο για να τοποθετήσετε βάση ή άλλο υποστήριγμα.



Αποφύγετε καταστάσεις όπου τα φορτία δεν είναι απ' ευθείας κεντραρισμένα στο έμβολο του κυλίνδρου. Τα εκτός κέντρου φορτία προκαλούν άσκοπη καταπόνηση στους κυλίνδρους και τα έμβολα. Επιπλέον, το φορτίο μπορεί να γλιστρήσει ή να πέσει, με πιθανόν επικίνδυνες συνέπειες.



Κατανέμετε το φορτίο ομοιόμορφα σε όλη την επιφάνεια της έδρας στήριξης φορτίου. Πάντα χρησιμοποιείτε έδρα στήριξης φορτίου για την προστασία του εμβόλου.



ΣΗΜΑΝΤΙΚΟ: Το σέρβις στον υδραυλικό εξοπλισμό πρέπει να διενεργείται μόνον από εξειδικευμένο τεχνικό υδραυλικών συστημάτων. Για υπηρεσίες επισκευών, επικοινωνήστε με το τοπικό σας Εξουσιοδοτημένο κέντρο σέρβις της ENERPAC. Για προστασία της εγγύτητάς σας, χρησιμοποιείτε μόνο λάδι ENERPAC.



ΠΡΟΕΙΔΟΠΟΙΗΣΗ: Αντικαθιστάτε άμεσα με γνήσια ανταλλακτικά ENERPAC τα εξαρτήματα που έχουν φθαρεί ή υποστεί ζημιά. Τα ανταλλακτικά συνηθισμένης ποιότητας του εμπορίου θα σπάσουν προκαλώντας τραυματισμό ατόμων και υλικές ζημιές. Τα ανταλλακτικά ENERPAC έχουν σχεδιαστεί ώστε να ταυριάζουν σωστά και να αντέχουν υψηλά φορτία.

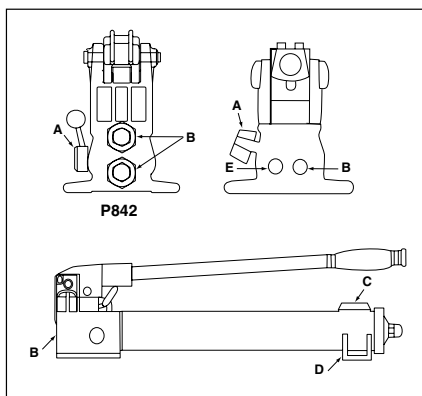


ΠΡΟΣΟΧΗ: Χρησιμοποιείτε πάντα τη λαβή για να μεταφέρετε την αντλία. Η μεταφορά της αντλίας από τον εύκαμπο σωλήνα μπορεί να προκαλέσει ζημιά στον εύκαμπο σωλήνα και/ή την αντλία.

3.0 ΠΕΡΙΓΡΑΦΗ

3.1 Μοντέλα P-141, 1001; P-142, 1002; P-202; P-391, 1004; P-392, 1005; P-802; P-842

Η εικόνα 1 και ο αντίστοιχος πίνακας δείχνουν τα κύρια δομικά στοιχεία μιας χειραντλίας μοντέλου P-141, P-142, P-202, P-391, P-392, P-802 και P-842. Το διπλής ενέργειας καπάκι εξερισμού/πλήρωσης λειτουργεί ως βαλβίδα ανακούφισης πίεσης σε περίπτωση μη θηλεμένης συμπίεσης του ρεζερβουάρ. Για να παρέχεται ένα στόμιο πρόσβασης στο πίσω μέρος του ρεζερβουάρ για απομακρυσμένες βαλβίδες, χρησιμοποιήστε ένα κιτ επιστροφής στη δεξαμενή. Βλ. τον Πίνακα 1 για αριθμούς μοντέλων κιτ.



Εικόνα 1

Πίνακας 1

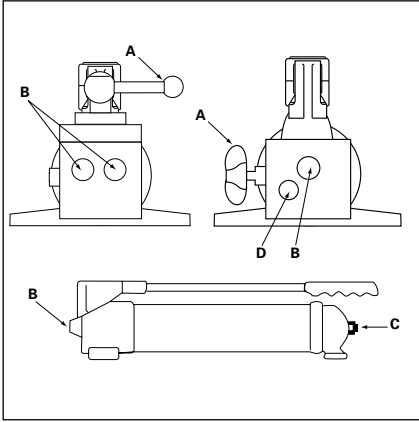
Εικόνα 1	P-141, 1001	P-142, 1002	P-202	P-391, 1004	P-392, 1005	P-802	P-842
A	Βαλβίδα απελευθέρωσης	Βαλβίδα απελευθέρωσης	Βαλβίδα απελευθέρωσης	Βαλβίδα απελευθέρωσης	Βαλβίδα απελευθέρωσης	Βαλβίδα απελευθέρωσης	4-οδη βαλβίδα
B	1/4 NPTF Στόμιο εξόδου	1/4 NPTF Στόμιο εξόδου	1/4 NPTF Στόμιο εξόδου	3/8 NPTF Στόμιο εξόδου	3/8 NPTF Στόμιο εξόδου	3/8 NPTF Στόμιο εξόδου	3/8 NPTF Στόμιο εξόδου
C	Καπάκι εξερισμού/πλήρωσης	Καπάκι εξερισμού/πλήρωσης	Καπάκι εξερισμού/πλήρωσης	Καπάκι εξερισμού/πλήρωσης	Καπάκι εξερισμού/πλήρωσης	Καπάκι εξερισμού/πλήρωσης	Καπάκι εξερισμού/πλήρωσης
D	Βάση	Υποδοχές στερέωσης	—	—	—	Υποδοχές στερέωσης	Υποδοχές στερέωσης
E	—	—	—	—	—	Στόμιο επιστροφής στη δεξαμενή	—
Κιτ επιστροφής στη δεξαμενή	PC-20	PC-20	PC-25	PC-25	PC-25	—	—

Πίνακας 2

Εικόνα 2	P-18	P-39, 1003	P-77	P-80, 1006	P-84	P-801
A	Βαλβίδα απελευθέρωσης	Βαλβίδα απελευθέρωσης	Βαλβίδα απελευθέρωσης	Βαλβίδα απελευθέρωσης	Βαλβίδα απελευθέρωσης	Βαλβίδα απελευθέρωσης
B	3/8 NPTF Στόμιο εξόδου	3/8 NPTF Στόμιο εξόδου	3/8 NPTF Στόμιο εξόδου	3/8 NPTF Στόμιο εξόδου	3/8 NPTF Στόμιο εξόδου	3/8 NPTF Στόμιο εξόδου
C	Τάπα πλήρωσης	Τάπα πλήρωσης	Τάπα πλήρωσης	Τάπα πλήρωσης	Τάπα πλήρωσης	Τάπα πλήρωσης
D	—	—	—	1/4 NPTF Στόμιο επιστροφής στη δεξαμενή	—	1/4 NPTF Στόμιο επιστροφής στη δεξαμενή

3.2 Μοντέλα P-18/P-39, 1003/P-80, 1006/P-84/P-801, P-77

Η εικόνα 2 και ο αντίστοιχος πίνακας πιο κάτω δείχνουν τα κύρια δομικά στοιχεία αυτών των μοντέλων χειραντλιών. Το μοντέλο P-84 είναι εξοπλισμένο με 4-οδη, 3 θέσεων βαλβίδα για χρήση με κυλίνδρους διπλής ενέργειας. Για να μετατρέψετε τα μοντέλα P-18 ή P-39 για λειτουργία με το πόδι, παραγγείλετε το κιτ PC-10.



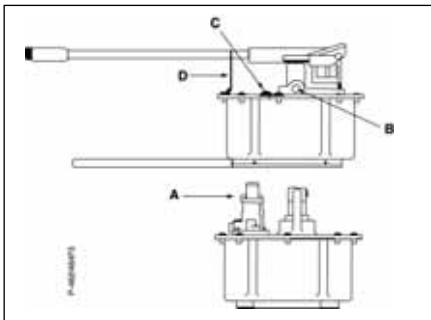
Εικόνα 2



ΠΡΟΕΙΔΟΠΟΙΗΣΗ: Οι αντλίες αυτές χρησιμοποιούνται με ρεζερβουάρ χωρίς εξαερισμό. Αν ασκηθεί υψηλή πίεση στο ρεζερβουάρ, το περίβλημα μπορεί να σπάσει, προκαλώντας τραυματισμό ατόμων και/ή ζημιά σε εξοπλισμό. ΠΟΤΕ μην προσπαθήσετε να επιστρέψετε στο ρεζερβουάρ περισσότερο λάδι από ότι έχει τη δυνατότητα να δεχτεί.

3.3 Μοντέλα P-462/P-464

Η εικόνα 3 και ο πιο κάτω πίνακας δείχνουν τα κύρια χαρακτηριστικά των μοντέλων P-462 χειραντλιών, για χρήση με κυλίνδρους μονής ενέργειας και P-464, για χρήση με κυλίνδρους διπλής ενέργειας.



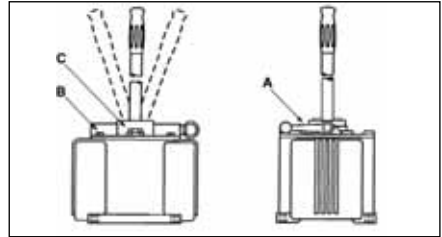
Εικόνα 3, Μοντέλα P-462, P-464

Πίνακας 3

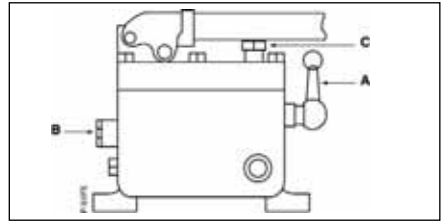
Εικόνα 3	P-462	P-464
A	3-οδη 2 θέσεων βαλβίδα	3-οδη 2 θέσεων βαλβίδα
B	3/8 NPTF Στόμιο εξόδου	3/8 NPTF Στόμιο εξόδου
C	Τ άπα εξαερισμ/πλήρωσης	Τ άπα εξαερισμ/πλήρωσης
D	Ασφάλεια λαβής	Ασφάλεια λαβής

3.4 Models P-25, P-50, and P-51

Figure 4 shows hand pump models P-25 and P-50, both of which are equipped with a handle that operates in both directions. Figure 5 shows the P-51 hand pump. The main components of these pumps are listed in the table below.



Εικόνα 4, Μοντέλα P-25 / P-50



Εικόνα 5, Μοντέλο P-51

Πίνακας 4 / 5

Εικόνα 4/5	P-25	P-50	P-51
A	Βαλβίδα απελευθέρωσης	Βαλβίδα απελευθέρωσης	Βαλβίδα απελευθέρωσης
B	1/4 NPTF Στόμιο εξόδου	1/4 NPTF Στόμιο εξόδου	1/4 NPTF Στόμιο εξόδου
C	Καπάκι εξαερισμού/πλήρωσης	Καπάκι εξαερισμού/πλήρωσης	Καπάκι εξαερισμού/πλήρωσης

4.0 Εγκατάσταση

4.1 Σύνδεση της αντλίας

1. Βιδώστε τον εύκαμπτο σωλήνα στην έξοδο της αντλίας. Χρησιμοποιήστε 1-1/2 τύλιγμα ταινίας Teflon (ή κατάλληλο υλικό στεγανοποίησης σπειρωμάτων) πάνω στο εξάρτημα σύνδεσης του εύκαμπτου σωλήνα, αφήνοντας ολόκληρη την πρώτη σπείρα χωρίς ταινία για να βεβαιωθείτε ότι η ταινία δεν θα κοπεί μέσα στο υδραυλικό σύστημα προξενώντας ζημιά. Κόψτε τα χαλαρά άκρα.

- Εγκαταστήστε ένα μανόμετρο εν σειρά από την αντλία για πρόσθετη ασφάλεια και καλύτερο έλεγχο.
- Συνδέστε τον(τους) εύκαμπτο(ους) σωλήνα(-ες) στον κύλινδρο ή το εργαλείο σας.

ΣΗΜΕΙΩΣΗ: Για κυλίνδρους μονής ενέργειας, συνδέστε έναν εύκαμπτο σωλήνα από την αντλία στον κύλινδρο. Για κυλίνδρους διπλής ενέργειας, συνδέστε δύο εύκαμπτους σωλήνες. Συνδέστε έναν εύκαμπτο σωλήνα από το στόμιο πίεσης της αντλίας στο στόμιο πίεσης του κυλίνδρου. Συνδέστε έναν άλλο εύκαμπτο σωλήνα από το στόμιο επαναφοράς της αντλίας στο στόμιο επαναφοράς του κυλίνδρου.

4.2 Εξαερισμός αντλίας

Δείτε τον παρακάτω πίνακα για να προσδιορίσετε αν η αντλία σας θα πρέπει να χρησιμοποιηθεί με ρεζερβουάρ με ή χωρίς εξαερισμό. Οι αντλίες με εξαερισμό παρέχουν ελαφρά καλύτερες επιδόσεις. Για αντλίες με νάλιο ρεζερβουάρ, περιστρέψτε το καπάκι εξαερισμού/πλήρωσης 1/4 της στροφής αριστερόστροφα για να επιτύχετε εξαερισμό. Για άλλες αντλίες δείτε το αυτοκόλλητο πάνω στην αντλία. Κλείστε το άνοιγμα εξαερισμού πριν τη μεταφορά της αντλίας για την αποφυγή διαρροής λαδιού.

Εξαερισμός αντλίας	
EHF-65χωρίς εξαερισμό	P-202οποιαδήποτε
P-18.....χωρίς εξαερισμό	P-391, 1004.οποιαδήποτε
P-25οποιαδήποτε	P-77.....με εξαερισμό
P-39, 1003 ..χωρίς εξαερισμό	P-392, 1005 οποιαδήποτε
P-50οποιαδήποτε	P-392ALμε εξαερισμό
P-51.....με εξαερισμό	P-462.....με εξαερισμό
P-80, 1006 ..οποιαδήποτε	P-464.....με εξαερισμό
P-84οποιαδήποτε	P-801.....χωρίς εξαερισμό
P-141, 1001.οποιαδήποτε	P-802οποιαδήποτε
P-142, 1002.οποιαδήποτε	P-842οποιαδήποτε
P-142AL ..χωρίς εξαερισμό	

4.3 Θέση αντλίας

Δείτε τον πιο κάτω πίνακα για να προσδιορίσετε τη σωστή θέση λειτουργίας για την αντλία σας, οριζόντια ή κατακόρυφη.

Θέση αντλίας	
EHF-65 πιαδήποτε	P-202 πιαδήποτε
P-18 πιαδήποτε	P-391, 1004 πιαδήποτε
P-25 μόνο οριζόντια	P-77 πιαδήποτε
P-39, 1003 .. πιαδήποτε	P-392, 1005. πιαδήποτε
P-50 μόνο οριζόντια	P-392AL ... πιαδήποτε
P-51 μόνο οριζόντια	P-462 ... μόνο οριζόντια
P-80, 1006 . πιαδήποτε	P-464 μόνο οριζόντια
P-84 πιαδήποτε	P-801 πιαδήποτε
P-141, 1001. πιαδήποτε	P-802 πιαδήποτε
P-142, 1002. πιαδήποτε	P-842 πιαδήποτε
P-142AL ... πιαδήποτε	

ΣΗΜΕΙΩΣΗ: Όταν χρησιμοποιείτε την αντλία σε κατακόρυφη θέση, το άκρο του εύκαμπτου σωλήνα πρέπει να δείχνει προς τα κάτω, αλλιώς η αντλία θα συλλέξει αέρα και δεν θα αυξάνεται αποτελεσματικά η πίεση.

5.0 ΛΕΙΤΟΥΡΓΙΑ

5.1 Πριν τη χρήση της αντλίας

- λέγξτε όλα τα εξαρτήματα και τις συνδέσεις της αντλίας για να βεβαιωθείτε για στεγανότητα και απουσία διαρροών.
- Ελέγξτε τη στάθμη του λαδιού στο ρεζερβουάρ πριν θέσετε σε λειτουργία την αντλία. Βλ. "Προσθήκη λαδιού στην αντλία" στη σελίδα 7.



ΠΡΟΣΟΧΗ: ΠΟΤΕ μην προσθέσετε προεκτάσεις στη λαβή της αντλίας. Οι προεκτάσεις μπορεί να έχουν ως αποτέλεσμα ασαφή λειτουργία της αντλίας.



ΠΡΟΕΙΔΟΠΟΙΗΣΗ: Σε ορισμένες καταστάσεις η λαβή της αντλίας μπορεί να "κλωσήσει". Πάντα κρατάτε το σώμα σας πλευρικά της αντλίας, εκτός της γραμμής δύναμης της λαβής.

ΣΗΜΕΙΩΣΗ: Για να μειώσετε την απαιτούμενη προσπάθεια κίνησης της λαβής σε υψηλές πιέσεις, χρησιμοποιείτε μικρές διαδρομές. Η μέγιστη μόχλευση επιτυγχάνεται στις τελευταίες 5° της διαδρομής.

5.2 Χρήση αντλιών δύο ταχυτήτων

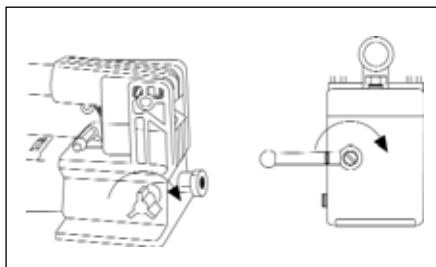
Οι αντλίες αυτές παρέχουν ροή 2 βαθμίδων. Χωρίς φορτίο, η αντλία λειτουργεί στην πρώτη βαθμίδα υψηλής ροής για γρήγορη προώθηση. Όταν γίνει επαφή με το φορτίο, η αντλία μεταβαίνει αυτόματα στη δεύτερη βαθμίδα για αύξηση της πίεσης. Για τα μοντέλα P-462 ή P-464, όταν η πίεση της αντλίας φθάσει περίπου 200 psi [14 bar], πρέπει να σταματήσετε στιγμιαία την άντληση και να ανυψώσετε τη λαβή για μετάβαση στη βαθμίδα υψηλής πίεσης. Για μοντέλα P-802 ή

P-842, όταν η πίεση της αντλίας φθάσει περίπου 400 psi [28 bar], πρέπει να σταματήσετε στιγμιαία την άντληση και να ανυψώσετε τη λαβή για μετάβαση στη βαθμίδα υψηλής πίεσης. Μετά την αλλαγή βαθμίδας, η άντληση απαιτεί μικρότερη προσπάθεια.

ΣΗΜΕΙΩΣΗ: Για καλύτερη απόδοση, χειρίζεστε τη λαβή της αντλίας με μέτρια ταχύτητα κατά τη διάρκεια της πρώτης βαθμίδας υψηλής ροής. Η μεγάλη ταχύτητα λαβής στην πρώτη βαθμίδα, θα εμποδίσει την παράδοση πλήρους όγκου λαδιού από την αντλία.

5.3 Εφαρμογές μονής ενέργειας με βαλβίδα απελευθέρωσης

- Κλείστε τη βαλβίδα απελευθέρωσης γυρίζοντάς τη δεξιόστροφα, όπως δείχνει η Εικόνα 6.



Εικόνα 6

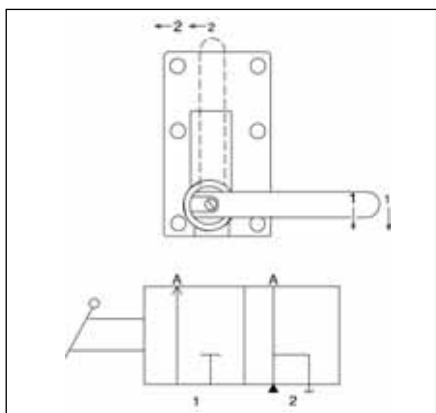


ΠΡΟΣΟΧΗ: Κλείστε τη βαλβίδα απελευθέρωσης σφίγγοντας με τα δάκτυλα ΜΟΝΟ. Η χρήση εργαλείων στη βαλβίδα απελευθέρωσης μπορεί να της προκαλέσει ζημιά και σαν συνέπεια δυσλειτουργία της αντλίας

- Χρησιμοποιήστε τη λαβή της αντλίας για να προσδώσετε υδραυλική ισχύ στο σύστημα. Η πίεση θα διατηρηθεί έως ότου ανοιχτεί η βαλβίδα απελευθέρωσης.
- Ανοίξτε τη βαλβίδα απελευθέρωσης (περιστρέψτε αριστερόστροφα) για να απελευθερώσετε την πίεση, επιτρέποντας στο λάδι να επιστρέψει στο ρεζερβουάρ.

5.4 Εφαρμογές μονής ενέργειας με χειροκίνητη 3-οδη, 2 θέσεων βαλβίδα.

- Μετακινήστε τη λαβή της βαλβίδας στη θέση 1 όπως δείχνει η Εικόνα 7.
- Χρησιμοποιήστε τη λαβή της αντλίας για να προσδώσετε υδραυλική ισχύ στο σύστημα. Η πίεση θα διατηρηθεί έως ότου αλλάξει θέση η βαλβίδα.
- Για να επιστρέψετε στο λάδι να επιστρέψει στο ρεζερβουάρ, μετακινήστε τη λαβή της βαλβίδας στη θέση 2.

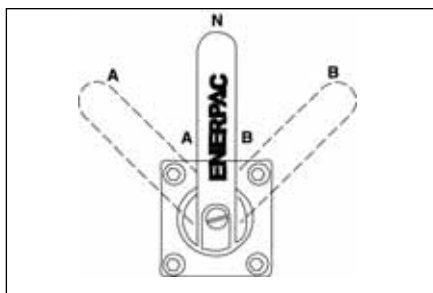


Εικόνα 7

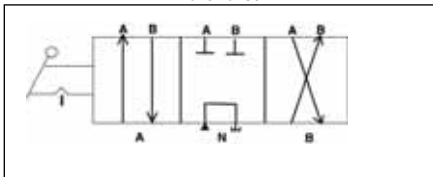
5.5 Εφαρμογές διπλής ενέργειας με χειροκίνητη 4-οδη 3 θέσεων βαλβίδα.

Οι αντλίες με 4-οδες βαλβίδες ελέγχου είναι σχεδιασμένες για να χρησιμοποιούνται με

διπλής ενέργειας κυλίνδρους. Δείτε την Εικόνα 8 για τις θέσεις της βαλβίδας.

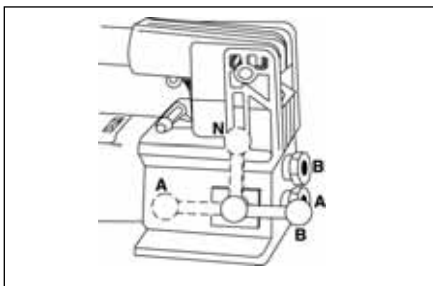


Εικόνα 8a



Εικόνα 8b

- Τοποθετήστε το μοχλό της 4-οδης βαλβίδας για επιλογή λειτουργίας ως εξής: (A) Ροή στο στόμιο "A"; το στόμιο "B" επιστρέφει τη ροή στο ρεζερβουάρ (N) Νεκρά θέση, τα στόμια "A" και "B" είναι φραγμένα (B) Ροή στο στόμιο "B"; το στόμιο "A" επιστρέφει τη ροή στο ρεζερβουάρ



Εικόνα 8c

- Χειριστείτε την αντλία για την εκτέλεση της εργασίας.
- Αλλάξτε τις θέσεις της βαλβίδας, όπως απαιτείται.



ΠΡΟΕΙΔΟΠΟΙΗΣΗ: Χρησιμοποιήστε τον κύλινδρο διπλής ενέργειας μόνο όταν και οι δύο εύκαμπτοι σωλήνες είναι συνδεδεμένοι στην αντλία. Αν ένας συζεύκτης παραμείνει μη συνδεδεμένος, θα σχηματιστεί υψηλή πίεση πίσω από το συζεύκτη, η οποία θα μπορούσε να προκαλέσει τραυματισμό ατόμων και/ή ζημιά στον εξοπλισμό.

5.6 Ρύθμιση βαλβίδας ανακούφισης

Όλες οι αντλίες περιλαμβάνουν μια εργοστασιακά ρυθμισμένη βαλβίδα ανακούφισης για πρόληψη υπερβολικής αύξησης της πίεσης στο σύστημα. Είναι εφικτές μικρότερες ρυθμίσεις πίεσης. Επικοινωνήστε με το τοπικό σας Εξουσιοδοτημένο κέντρο σέρβις της Eneprac.

6.0 Απομάκρυνση αέρα

Η απομάκρυνση του αέρα από το υδραυλικό σύστημα συντελεί στην ομαλή προώθηση και επαναφορά του εμβόλου του κυλίνδρου (βλ. εικόνα 9).

6.1 Αντλία με κύλινδρο μονής ενέργειας (A)

1. Εξαερώστε το ρεζερβουάρ της αντλίας (μόνο για αντλίες με εξαερισμό) και κλείστε τη βαλβίδα απελευθέρωσης.
2. Τοποθετήστε την αντλία σε μεγαλύτερο ύψος από τον κύλινδρο.
3. Τοποθετήστε τον κύλινδρο με το άκρο του εμβόλου προς τα κάτω (προς τα πάνω αν χρησιμοποιείτε κύλινδρο έλξης). Βλ. την εικόνα 9 πιο κάτω.
4. Χειριστείτε την αντλία για πλήρη έκταση του κυλίνδρου (επαναφορά αν χρησιμοποιείτε κύλινδρο έλξης).
5. Ανοίξτε τη βαλβίδα απελευθέρωσης για επαναφορά του εμβόλου του κυλίνδρου (έκταση αν χρησιμοποιείτε κύλινδρο έλξης). Αυτό θα εξαναγκάσει τον παγιδευμένο αέρα να μετακινηθεί πάνω προς το ρεζερβουάρ της αντλίας.
6. Επαναλάβετε τα προηγούμενα βήματα όπως απαιτείται.
7. Προσθέστε λάδι αν απαιτείται. Βλέπε σελίδα 7.
8. Επαναφέρετε το καπάκι εξαερισμού/πλήρωσης στη θέση λειτουργίας.

6.2 Αντλία με κύλινδρο διπλής ενέργειας (B)

1. Εξαερώστε το ρεζερβουάρ της αντλίας (μόνο για αντλίες με εξαερισμό).

2. Τοποθετήστε την αντλία σε μεγαλύτερο ύψος από τον κύλινδρο.
3. Τοποθετήστε τον κύλινδρο σε οριζόντια θέση με τα στόμια πάνω. Βλ. εικόνα 9.
4. Προωθήστε και επαναφέρετε πλήρως το έμβολο του κυλίνδρου 2 έως 3 φορές.
5. Επαναλάβετε τα προηγούμενα βήματα όπως απαιτείται.
6. Προσθέστε λάδι αν απαιτείται. Βλέπε σελίδα 7.
7. Επαναφέρετε το καπάκι εξαερισμού/πλήρωσης στη θέση λειτουργίας.

7.0 ΣΥΝΤΗΡΗΣΗ

Με τις αντλίες αυτές χρησιμοποιείτε μόνο υδραυλικό λάδι Eneprac για να επιτύχετε μεγαλύτερη διάρκεια ζωής της αντλίας και να προστατέψετε την εγγύησή σας. Για ορισμένες χειραντλίες διατίθενται κιτ στεγανοποιήσεων Viton και EPR. Απευθυνθείτε στον τοπικό σας αντιπρόσωπο Eneprac για περισσότερες πληροφορίες σχετικά με τα προϊόντα αυτά και τις εφαρμογές τους.

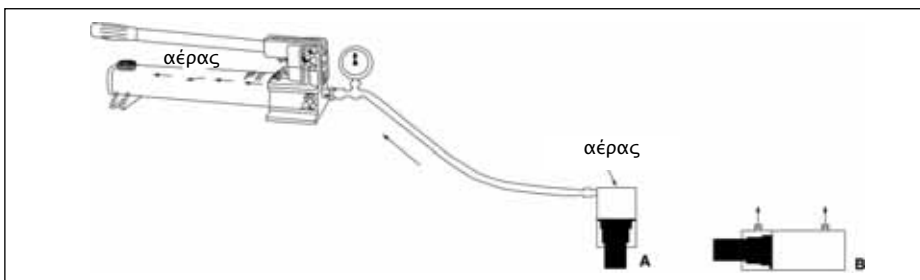
7.1 Προσθήκη λαδιού στην αντλία.

Ελέγχετε τακτικά τη στάθμη του λαδιού.



ΠΡΟΕΙΔΟΠΟΙΗΣΗ: Πάντα προσθέτετε λάδι με τους κυλίνδρους με τα έμβολα σε πλήρη επαναφορά (σε πλήρη έκταση αν πρόκειται για κυλίνδρους έλξης) αλλιώς το σύστημα θα περιέχει περισσότερο λάδι απ' όσο μπορεί να χωρέσει το ρεζερβουάρ.

1. Αφαιρέστε το καπάκι εξαερισμού/πλήρωσης από το ρεζερβουάρ.
2. Γεμίστε το ρεζερβουάρ μόνο ως την ένδειξη στάθμης που φαίνεται στην αντλία.
3. Αφαιρέστε τον αέρα από το σύστημα αν χρειάζεται. Βλέπε σελίδα 6. Ελέγξτε πάλι τη στάθμη του λαδιού μετά την απομάκρυνση του αέρα.



Εικόνα 9

4. Επαναφέρετε το καπάκι εξαερισμού/πλήρωσης στην προηγούμενη θέση.

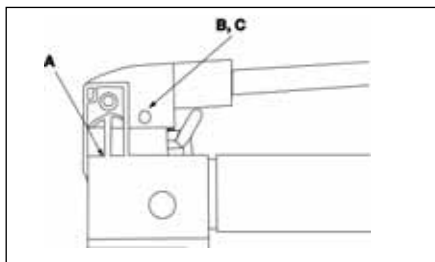
ΣΗΜΕΙΩΣΗ: Οι χειραντλίες χωρίς εξαερισμό απαιτούν αέρα στο ρεζερβουάρ για τη σωστή τους λειτουργία. Αν το ρεζερβουάρ γεμίσει τελείως, θα σχηματιστεί υποπίεση η οποία εμποδίζει το λάδι να εξέλθει από την αντλία.

7.2 Διατήρηση των γραμμών λαδιού καθαρών

Όταν είναι αποσυνδεδεμένα τα τμήματα των συζευκτών, πάντα βιδώνετε πάνω τους καλύμματα κατά της σκόνης. Χρησιμοποιήστε κάθε απαιτούμενο μέτρο προφύλαξης για προστασία της μονάδας από είσοδο ακαθαρσιών επειδή οι ξένες ύλες μπορεί να προκαλέσουν βλάβη της αντλίας, του κυλίνδρου ή της βαλβίδας.

7.3 Λίπανση της αντλίας

Για επέκταση της διάρκειας ζωής της αντλίας και βελτίωση της απόδοσης, λιπάνετε τακτικά τον πείρο της δοκού (A), τον εγκάρσιο πείρο (B) και την κεφαλή του εμβόλου (C), χρησιμοποιώντας γράσο για ρουλεμάν. Βλ. εικόνα 10.



Εικόνα 10

7.4 Αλλαγή του λαδιού

1. Κάθε 12 μήνες αποστραγγίζετε όλο το λάδι και γεμίζετε πάλι με καθαρό λάδι Enerpac. Αν η αντλία χρησιμοποιείται σε περιβάλλον με σκόνη, αλλάζετε το λάδι πιο συχνά.
2. Αφαιρέστε το καπάκι εξαερισμού/πλήρωσης ή την τάπα από το ρεζερβουάρ.
3. Γείρετε την αντλία για να αποστραγγίσετε το παλιό λάδι.
4. Γεμίστε το ρεζερβουάρ μόνο ως την ένδειξη στάθμης που φαίνεται στην αντλία.
5. Τοποθετήστε πάλι το καπάκι εξαερισμού/πλήρωσης ή την τάπα.
6. Απορρίψτε το χρησιμοποιημένο λάδι με κατάλληλο τρόπο.

8.0 ΟΔΗΓΟΣ ΑΝΙΧΝΕΥΣΗΣ ΒΛΑΒΩΝ

Οι πληροφορίες που ακολουθούν αποσκοπούν στο να σας βοηθήσουν να προσδιορίσετε αν υπάρχει κάποιο πρόβλημα. Για υπηρεσίες επισκευών, επικοινωνήστε με το τοπικό σας Εξουσιοδοτημένο κέντρο σέρβις της ENERPAC.

ΟΔΗΓΟΣ ΑΝΙΧΝΕΥΣΗΣ ΒΛΑΒΩΝ

Γρόβλημα	Πιθανή αιτία	Λύση
<p>Το έμβολο του κυλίνδρου δεν προωθείται, προωθείται αργά ή κατά ριπές.</p>	<ol style="list-style-type: none"> 1. Χαμηλή στάθμη λαδιού στο ρεζερβουάρ αντλίας. 2. Ανοικτή βαλβίδα απελευθέρωσης. 3. Χαλαρός υδραυλικός συζεύκτης. 4. Πολύ βαρύ φορτίο. 5. Παγιδευμένος αέρας στο σύστημα. 6. Μαγκώνει το έμβολο του κυλίνδρου. 	<ol style="list-style-type: none"> 1. Προσθέστε λάδι σύμφωνα με τις οδηγίες συντήρησης στη σελίδα 6. 2. Κλείστε τη βαλβίδα απελευθέρωσης. 3. Ελέγξτε ότι όλοι οι συζεύκτες έχουν συσφιχτεί πλήρως. 4. Μην προσπαθείτε να ανυψώσετε φορτίο μεγαλύτερο της ονομαστικής ικανότητας. 5. Απομακρύνετε τον αέρα σύμφωνα με τις οδηγίες της σελίδας 6. 6. Ελέγξτε για ζημιά στον κύλινδρο. Αναθέστε το σέρβις του κυλίνδρου σε εξειδικευμένο τεχνικό υδραυλικών συστημάτων.
<p>Η απομάκρυνση του αέρα από το υδραυλικό σύστημα συντελεί στην ομαλή προώθηση και επαναφορά του εμβόλου του κυλίνδρου (βλ. εικόνα 9).</p>	<ol style="list-style-type: none"> 1. Διαρροή σε σύνδεση. 2. Διαρροή στεγανοποιήσεων. 3. Εσωτερική διαρροή στην αντλία. 	<ol style="list-style-type: none"> 1. Ελέγξτε ότι όλες οι συνδέσεις είναι σφριγμένες και δεν παρουσιάζουν διαρροές. 2. Εντοπίστε τη(τις) διαρροή(-ές) και αναθέστε το σέρβις σε εξειδικευμένο τεχνικό υδραυλικών συστημάτων. 3. Αναθέστε το σέρβις της αντλίας σε εξειδικευμένο τεχνικό υδραυλικών συστημάτων.
<p>Το έμβολο του κυλίνδρου δεν επανέρχεται ή επανέρχεται αργότερα από το κανονικό.</p>	<ol style="list-style-type: none"> 1. Κλειστή βαλβίδα απελευθέρωσης. 2. Υπερπλήρωση ρεζερβουάρ αντλίας. 3. Χαλαρός υδραυλικός συζεύκτης. 4. Παγιδευμένος αέρας στο σύστημα. 5. Εσπτ. διάμ. εύκαμπτου σωλήνα πολύ μικρή. 6. Ελατήριο επαναφοράς εμβόλου κυλίνδρου σπασμένο ή άλλη ζημιά στον κύλινδρο. 	<ol style="list-style-type: none"> 1. Ανοίξτε τη βαλβίδα απελευθέρωσης. 2. Αδειάστε λάδι ως την ένδειξη πλήρωσης. Βλ. οδηγίες σελίδας 7 για προσθήκη λαδιού. 3. Ελέγξτε ότι όλοι οι συζεύκτες έχουν συσφιχτεί πλήρως. 4. Απομακρύνετε τον αέρα σύμφωνα με τις οδηγίες της σελίδας 6. 5. Χρησιμοποιήστε υδραυλικό εύκαμπο σωλήνα μεγαλύτερης διαμέτρου. 6. Αναθέστε το σέρβις του κυλίνδρου σε εξειδικευμένο τεχνικό υδραυλικών συστημάτων.

L1763 Rev I 03/09

Korjausosaluettelo tälle tuotteelle on saatavilla Enerpacin web-sivulta www.enerpac.com, tai lähimmältä valtuutetulta Enerpac-huoltokeskuksesta tai Enerpac-myyntitoimistosta.

1.0 TÄRKEITÄ VASTAANOTTO-OHJEITA

Tarkista silmämääräisesti kaikki osat kuljetusvaurioiden varalta. Takuu ei kata kuljetusvaurioita. Jos kuljetusvaurioita havaitaan, ilmoita niistä kuljetusliikkeelle välittömästi. Kuljetusliike on vastuussa kaikista korjaus- ja korvauskustannuksista, jotka johtuvat kuljetusvaurioista.

TURVALLISUUS ENNEN KAIKKEA

2.0 TURVALLISUUSASIAT



Lue kaikki ohjeet ja varoitukset huolellisesti. Noudata kaikkia varoitomenpiteitä estääksesi vammoja tai omaisuuden vaurioitumista käytön aikana. Enerpac ei ole vastuussa vaurioista tai vammoista, jotka johtuvat tuotteen turvattomasta käytöstä, huollon puutteesta tai tuotteen ja/tai järjestelmän väärästä käytöstä. Ota yhteys Enerpacin kun olet epävarma varoitomenpiteistä ja käytöstä. Jos et ole koskaan koulutautunut korkeapainaisen hydraulijärjestelmän turvallisuuteen, ota yhteyttä maahantuojaan tai palvelukeskukseen, jotta voit ottaa osaa Enerpacin ilmaiseen hydraulijärjestelmän turvakurssiin.

Seuraavien varoitusten noudattamatta jättäminen voi aiheuttaa laitevaurioita ja vammoja.

VAROVAISUUS -tekstiä käytetään ilmaisemaan oikeat käyttö- tai huoltotoimenpiteet ja käytännöt vaurioiden estämiseksi, tai laitteen tai muun omaisuuden tuhoutumisen estämiseksi.

VAROITUS -tekstiä käytetään ilmaisemaan mahdollinen vaara, joka vaatii oikeita toimenpiteitä tai käytäntöjä vammojen välttämiseksi.

VAARA -tekstiä käytetään vain kun toiminta tai sen puute voi aiheuttaa vakavan vamman tai jopa kuoleman.



VAROITUS : Käytä henkilökohtaisia suojavarusteita kun käytät hydraulilaitteita.



VAROITUS : Pysy etäällä hydrauliiikan kannattelemista kuormista. Sylinteriä, jota käytetään kuorman nostolaitteena, ei pitäisi koskaan käyttää kuorman kannattelulaitteena. Kun kuorma on nostettu tai laskettu, se pitää aina tukea mekaanisesti.



VAROITUS : KÄYTTÄ VAIN JÄYKKIÄ OSIA KANNATTELEMAAN KUORMIA.

huolellisesti teräs- tai metalliesteet, jotka kykenevät kannattelemaan kuormaa. Älä koskaan käytä hydraulisyliinteriä kiilana tai välikappaleena nosto- tai puristussovelluksille.



VAARA : Henkilövammojen välttämiseksi pidä kädet ja jalat etäällä sylinteristä ja työkalusta käytön aikana.



VAROITUS : Älä ylitä laitteistoluokituksia. Älä koskaan yritä nostaa painavampaa kuormaa, kuin mihin sylinterin kapasiteetti kykenee. Ylikuormitus aiheuttaa laitteiston häiriöitä ja saattaa aiheuttaa henkilövahinkoja. Sylinterit on valmistettu kestämään korkeintaan 700 bar:in [10,000 psi] painetta. Älä liitä nosturia tai sylinteriä pumppuun, jossa on korkeampi paineloukutus.



VAARA: Älä koskaan aseta varoventtiiliä korkeampaan paineeseen, joka ylittää pumppun korkeimman sallittu paineen. Korkeammat asetukset saattavat aiheuttaa vaurioitumisen ja/tai henkilövahinkoja. Älä poista varoventtiiliä.



VAROITUS : Järjestelmän käyttöpaine ei saa ylittää järjestelmän alimmalle luokitellun osan painearvoa. Asenna painemittarit järjestelmään tarkkailemaan käyttöpainetta. Se on ikkuna siihen mitä järjestelmässä tapahtuu.



VARO : Vältä hydrauliletkujen vaurioittamista. Vältä teräviä kulmia ja kiertymiä kun reitität hydrauliletkuja. Väänntyneen tai kiertyneen letkun käyttö voi aiheuttaa vakavan paluupaineen. Terävät kulmat ja kiertymät vaurioittavat sisäisesti letkua, mikä johtaa ennenaikaiseen vikaan letkussa.



Älä pudota painavia esineitä letkun päälle. Terävä kosketus voi aiheuttaa sisäisen vaurion letkun lankasäikeisiin. Paineen johtaminen vaurioituneeseen

letkuun voi saada sen repeämään.



TÄRKEÄÄ : Älä nosta hydraulilaitteita letkuista tai kiertokytkimistä. Käytä kantokahvoja tai muita turvallisia kuljetusmuotoja.



VARO : Pidä hydraulilaitteet etäällä tulesta ja kuumuudesta. Liiallinen lämpö pehmentää pakkaukset ja saumat, johtaan nestevuotoihin. Lämpö myös

heikentää letkumateriaaleja ja pakkauksia. Optimaalisen toiminnan saavuttamiseksi, älä altista laitteita lämpötiloille, jotka ovat 65 °C [150 °F] tai korkeampia. Suojaa letkut ja sylinterit hitsausroiskeilta.



VAARA : Älä käsittele paineistettuja letkuja. Vapautuva öljy voi paineen alla mennä ihon läpi, aiheuttaen vakavan vamman. Jos öljyä ruiskuu ihon alle, ota välittömästi yhteys lääkäriin.

lääkäriin.



VAROITUS : Käytä vain hydraulisia sylintereitä liitännäsjärjestelmissä. Älä koskaan käytä sylinteriä kytkemättömien liittimien kanssa. Jos sylinteri tulee erittäin ylikuormitetuksi, niin

komponentit voivat hajota katastrofaalisesti, aiheuttaen vakavan henkilövamman.



VAROITUS : VARMISTA, ETTÄ ASETUS ON TUKEVA ENNEN KUORMAN NOSTAMISTA. Sylinterit tulee asettaa tasaiselle pinnalle, joka pystyy kantamaan kuorman. Jos sovellettavissa, käytä

sylinterin alustaa vakauden lisäämiseksi. Älä hitsaa tai muuta muutoin sylinteriä jalustan tai muun tuen kiinnittämiseksi.



Vältä tilanteita, joissa kuormia ei ole keskitetty suoraan sylinterin männälle. Keskitämättömät kuormat saavat aikaan huomattavan jännityksen sylintereille ja männille. Lisäksi kuorma voi liukua tai kaatua aiheuttaen potentiaalisesti vaarallisia tuloksia.



Jaa kuorma tasaisesti koko satulapinnalle. Käytä aina satulaa männän suojaamiseksi.



TÄRKEÄÄ : Hydraulilaitteita saa huoltaa vain pätevä hydrauliteknikko. Ota yhteys valtuutettuun ENERPAC-huoltokeskukseen korjauspalveluiden suhteen. Takuun säilyttämiseksi, käytä vain ENERPAC-öljyjä.



VAROITUS : Vaihda välittömästi kuluneet tai vaurioituneet osat aidoilla ENERPAC-osilla. Standardilaatuiset ovat hajoavat, aiheuttaen henkilövammoja ja omaisuuden tuhoutumista. ENERPAC-osat ovat suunniteltu sopimaan kunnolla ja kestävästi raskaita kuormia.



VARO : Käytä aina kahvaa pumpun kantamisessa. Pumpun kantaminen letkusta saattaa vahingoittaa letkua ja/tai pumpua.

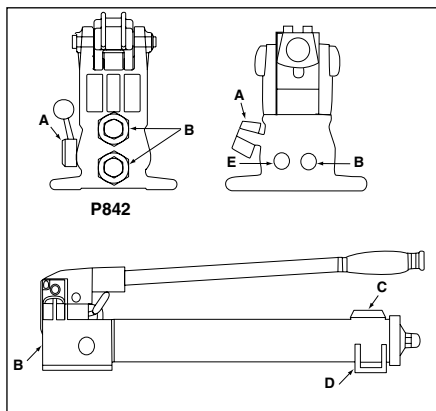
TEKNISEET TIEDOT – Käytä tätä ohjeleistä seuraavia käsipumpumalleja varten.

Käsipumpun tekniset tiedot						
Malli	Tyyppi (Nopeus)	Enimmäispaine teho psi [bar]		Öljytilavuus/isku in ³ [cm ³]		Käytettävä öljytilavuus in ³ [cm ³]
EHF-65	1	6,500 [440]		.16 [2.62]		22 [360]
P-18	1	2,850 [200]		.16 [2.62]		22 [360]
P-25	1	2,500 [170]		.58 [9.51]		231 [3786]
P-39, 1003	1	10,000 [700]		.16 [2.62]		43 [705]
P-50	1	5,000 [340]		.29 [4.75]		231 [3786]
P-51	1	3,000 [210]		.25 [4.09]		50 [820]
P-141, 1001	1	10,000 [700]		.055 [9.0]		20 [328]
P-391, 1004	1	10,000 [700]		.151 [2.47]		55 [900]
		Vaihe 1	Vaihe 2	Vaihe 1	Vaihe 2	
P-80, 1006	2	350 [25]	10,000 [700]	.99 [16.23]	.15 [2.46]	140 [2295]
P-84	2	350 [25]	10,000 [700]	.99 [16.23]	.15 [2.46]	140 [2295]
P-142, 1002	2	200 [14]	10,000 [700]	.221 [3.62]	.055 [9.0]	20 [328]
P-142AL	2	200 [14]	10,000 [700]	.221 [3.62]	.055 [9.0]	9.0 [148]
P-202	2	200 [14]	10,000 [700]	.221 [3.62]	.055 [9.0]	55 [900]
P-77	2	200 [14]	10,000 [700]	.63 [16.0]	.094 [2.41]	47 [769]
P-392, 1005	2	200 [14]	10,000 [700]	.687 [11.26]	.151 [2.47]	55 [900]
P-392AL	2	200 [14]	10,000 [700]	.687 [11.26]	.151 [2.47]	55 [900]
P-462	2	200 [14]	10,000 [700]	7.69 [126.00]	.29 [4.75]	462 [7572]
P-464	2	200 [14]	10,000 [700]	7.69 [126.00]	.29 [4.75]	462 [7572]
P-801	2	350 [25]	10,000 [700]	.99 [16.23]	.15 [2.46]	250 [4095]
P-802	2	400 [28]	10,000 [700]	2.40 [39.34]	.15 [2.46]	155 [2540]
P-842	2	400 [28]	10,000 [700]	2.40 [39.34]	.15 [2.46]	155 [2540]

3.0 KUVAUUS

3.1 Mallit P-141, 1001/P-142, 1002/ P-202/P-391, 1004/P-392, 1005/P802, et P-842

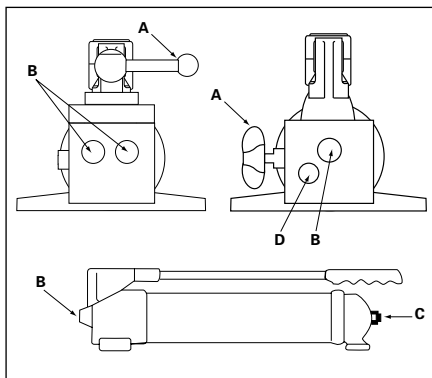
Kuvassa 1 ja vastaavassa taulukossa näytetään käsipumppumallien P-141, P-142, P-202, P-391, P-392, P-802 ja P-842 pääosat. Kaksikäyttöinen ilma-/täyttökorkki toimii paineen varoventiilinä säiliön tahattoman paineistuksen yhteydessä. Saadaksesi aikaan pääsyaikon säiliön takaosaan ohjattavia venttiilejä varten käytä paluu säiliöön -sarjaa. Katso Taulukko 1 sarjan mallinumeroita varten.



Kuva 1

3.2 Mallit P-18/P39, 1003/P-80, 1006/ P-84/P-801, P-77

Kuvassa 2 ja vastaavassa alla olevassa taulukossa näytetään näiden käsipumppumallien pääosat. Malli P-48 on varustettu 4-tie, 3-asentoisella venttiilillä kaksitoimisten sylintereiden kanssa käytettäväksi. Muuttaaksesi mallit P-18 tai P-39 jalkapolkimella käytettäväksi, tilaa PC-10 -sarjaa.



Kuva 2



VAROITUS : Näitä pumppuja käytetään säiliöllä, jossa ei ole tuuletusta. Jos säiliöön kohdistuu korkea paine, kuori saattaa repeytyä ja aiheuttaa henkilövahinkoja ja/tai laitteiston vaurioitumisen. Älä KOSKAAN yritä palauttaa enemmän öljyä säiliöön kuin se kykenee pitämään sisällään.

Taulukko 1

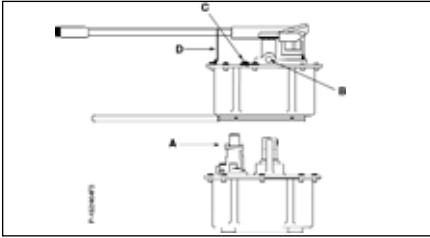
Fig. 1	P-141, 1001	P-142, 1002	P-202	P-391, 1004	P-392, 1005	P-802	P-842
A	Poistoventtiili	Poistoventtiili	Poistoventtiili	Poistoventtiili	R Poistoventtiili	Poistoventtiili	4-tieventtiili
B	Poistoaukko	Poistoaukko	Poistoaukko	Poistoaukko	Poistoaukko	Poistoaukko	Poistoaukko
C	Ilma-/täyttö-korkki	Ilma-/täyttö-korkki	Ilma-/täyttö-korkki	Ilma-/täyttö-korkki	Ilma-/täyttö-korkki	Ilma-/täyttö-korkki	Ilma-/täyttö-korkki
D	Asennus	Asennus-reiät	—	—	—	Asennus-reiät	Asennus-reiät
E	—	—	—	—	—	Paluu säiliöön -aukko	—
Paluu säiliöön -sarja	PC-20	PC-20	PC-25	PC-25	PC-25	—	—

Taulukko 2

Fig. 2	P-18	P-39, 1003	P-77	P-80, 1006	P-84	P-801
A	Poistoventtiili	Poistoventtiili	Poistoventtiili	Poistoventtiili	Poistoventtiili	Poistoventtiili
B	Poistoaukko	Poistoaukko	Poistoaukko	Poistoaukko	Poistoaukko	Poistoaukko
C	Täyttötulppa	Täyttötulppa	Täyttötulppa	Täyttötulppa	Täyttötulppa	Täyttötulppa
D	—	—	—	Paluu säiliöön -aukko	—	Paluu säiliöön -aukko

3.3 Mallit P-462 et P-464

Kuvassa 3 ja alla olevassa taulukossa näytetään käsipumpumallin P-462 pääominaisuudet yksitoimisten sylinterien kanssa käytettäväksi ja P-464 mallin pääominaisuudet kaksitoimisten sylinterien kanssa käytettäväksi.

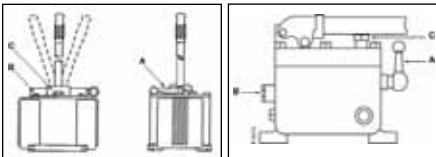


Kuva 3, Mallit P-462 ry P-464

Taulukko 3	
Kuva 3 P-462	P-464
A	3-tiesylinteri, 2-asentoinen
B	3/8 NPTF Poistoaukko
C	Bouchon reniflard
D	Kahvanpidin

3.4 Mallit P-25, P-50 et P-51

Kuvassa 4 näytetään P-25 ja P-50 käsipumpumallit, jotka on varustettu kahvalla, joka toimii molempiin suuntiin. Kuvassa 5 näytetään P-51 käsipumpu. Näiden pumpujen pääosat on lueteltu alla olevassa taulukossa.



Kuva 4, Mallit P-25 and P-50 Kuva 5, Mallit P-51

Taulukko 4 et 5		
Kuva 4, 5 P-25	P-50	P-51
A	Poistventtiili	Poistventtiili
B	Poistoaukko	Poistoaukko
C	Ilma-/täyttökorkki	Ilma-/täyttökorkki

4.0 ASENNUS

4.1 Pumpun liittäminen

1. Kierrä letku pumpun poistoaukkoon. Käytä 1 ? kerrosta teflonteippiä (tai sopivaa kierteen tiivistettä) letkuliitokseen ja jätä ensimmäinen kokonainen kierre vapaaksi sen varmistamiseksi, ettei teippiä pääse hydraulijärjestelmään ja vahingoita sitä. Leikkaa päät.

- Asenna painemittari linjaan pumpusta turvallisuuden lisäämiseksi ja ohjauksen parantamiseksi.
- Liitä letku(t) sylinteriin tai työkaluun.

HUOMAA : Yksitoimisia sylintereitä varten, liitä letku pumpusta sylinteriin. Kaksitoimisia sylintereitä varten, liitä kaksi letkua. Liitä yksi letku pumpun paineliitäntäaukosta sylinterin paineliitäntäaukkoon. Liitä toinen letku pumpun poistoliitäntäaukosta sylinterin poistoliitäntäaukkoon.

4.2 Pumpun ilmaus

Katso alla oleva taulukko määrittääksesi jos pumpusta tulee käyttää ilmatulla tai ilmaamattomalla säiliöllä. Ilmatut pumput antavat hiivenen paremman suorituskyvyn. Pumpuissa, joissa on nylonsäiliö, käännä ilma-/täyttökorkkia 1/4 kierrosta vastapäivään ilmausta varten. Muita pumppeja varten, katso pumpussa oleva kaavio. Sulje venttiili ennen pumpun kuljetusta, jotta öljyvuoja voidaan estää.

OPTIONS D'AÉRATION	
EHF-65	ilmaamaton
P-18	ilmaamaton
P-25	jompikumpi
P-39, 1003	ilmaamaton
P-50	jompikumpi
P-51	ilmattu
P-80, 1006	jompikumpi
P-84	jompikumpi
P-141, 1001	jompikumpi
P-142, 1002	jompikumpi
P-142AL	ilmaamaton
P-202	jompikumpi
P-391, 1004	jompikumpi
P-77	ilmattu
P-392, 1005	jompikumpi
P-392AL	ilmattu
P-462	ilmattu
P-464	ilmattu
P-801	ilmaamaton
P-802	jompikumpi
P-842	jompikumpi

4.3 Pumpun asento

Katso alla oleva taulukko määrittääksesi pumpullesi oikean käyttöasennon, vaaka- tai pystyasennon.

POSITION DE SERVICE	
EHF-65	jompikumpi
P-18	jompikumpi
P-25	vain vaaka-asento
P-39, 1003	jompikumpi
P-50	vain vaaka-asento
P-51	vain vaaka-asento
P-80, 1006	jompikumpi
P-84	jompikumpi
P-141, 1001	jompikumpi
P-142, 1002	jompikumpi
P-142AL	jompikumpi
P-202	jompikumpi
P-391, 1004	jompikumpi
P-77	jompikumpi
P-392, 1005	jompikumpi
P-392AL	jompikumpi
P-462	vain vaaka-asento
P-464	vain vaaka-asento
P-801	jompikumpi
P-802	jompikumpi
P-842	jompikumpi

HUOMAA : Kun käytät pumpppua pystyasennossa, letkun pään on oltava alaspäin tai pumpppu ottaa ilmaa eikä muodosta painetta oikein.

5.0 TOIMINTA

5.1 Ennen pumpun käyttöä

1. Tarkasta järjestelmän kaikkien liitännöiden ja kiinnikkeiden pysyvyys ja tiiviisyys.
2. Tarkista säiliössä oleva öljytaso ennen pumpun käyttöä. Katso "Öljyn lisääminen pumpppuun" sivulla 7.



VARO : Älä KOSKAAN lisää jatkokappaleita pumpun kahvaan. Jatkokappaleet tekevät pumpun toiminnasta epävakaa.



VAROITUS : Tietyissä tilanteissa pumpun kahva saattaa "potkaista takaisin" Pysy aina pumpun sivulla ja poissa kahvan voimasuunnasta.

HUOMAA : Ota lyhyitä iskuja käsittelyvoiman vähentämiseksi korkeassa paineessa. Enimmäisnostovoima saadaan iskun viimeisen 5° aikana.

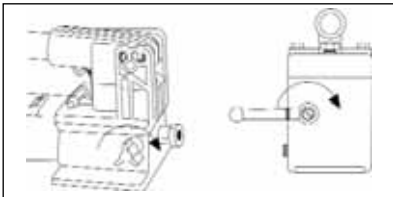
5.2 Kaksinopeuksisten pumpppujen käyttö

Nämä pumput saavat aikaan kaksivaiheisen virtauksen. Pumpppu toimii kuormaamattomana suuren virtauksen ensimmäisessä vaiheessa nopeaa syöttöä varten. Kun kuorma kiinnitetään, pumpppu siirtyy automaattisesti toiseen vaiheeseen paineen muodostamiseen. Malleissa P-462 tai P-464 kun pumpun paine saavuttaa noin 200 psi [14 bar], sinun pitää pysäyttää pumpppaus hetkeksi ja nostaa kahvaa siirtyäksesi korkeapainevaiheeseen. Malleissa P-802 tai P-842 kun pumpun paine saavuttaa noin 400 psi [28 bar], sinun pitää pysäyttää pumpppaus hetkeksi ja nostaa kahvaa siirtyäksesi korkeapainevaiheeseen. Pumpun siirtymisen jälkeen pumpppaus vaatii vähemmän voimaa.

NOTE : Pour optimiser les performances, actionner le levier de la pompe à vitesse modérée durant la première étape à débit élevé. Si l'on pompe trop vite dans la première étape, le volume d'huile fourni ne sera pas suffisant.

5.3 Yksitoimiset sovellukset poistoventtiilillä

1. Sulje poistoventtiili kääntämällä myötäpäivään kuvassa 6 näytetyllä tavalla.



Kuva 6

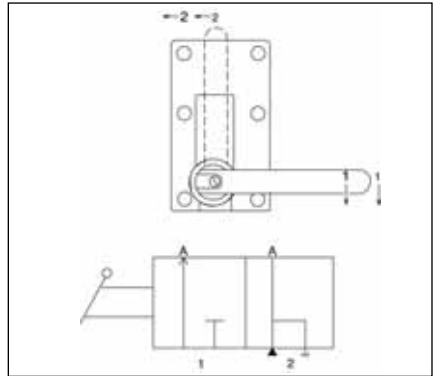


PRÉCAUTION : Serrer le robinet de décharge à la main **UNIQUEMENT**. L'emploi d'outils sur le robinet de décharge peut l'endommager et risque de causer un mauvais fonctionnement de la pompe.

2. Käytä pumpun kahvaa jakaaksesi hydraulivoimaa järjestelmään. Painetta säilytetään kunnes poistoventtiili avataan.
3. Avaa poistoventtiili (käännä vastapäivään) paineen poistamiseksi, jotta öljy virtaa takaisin säiliöön.

5.4 Yksitoimiset sovellukset 3-tie, 2-asentoisella manuaaliventtiilillä.

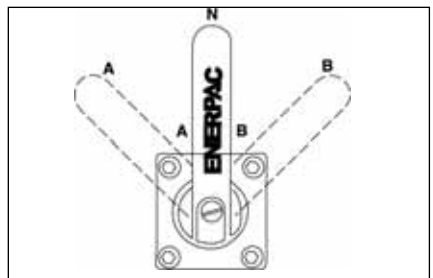
1. Siirrä venttiilin kahva asentoon 1 kuvassa 7 osoitettuun tapaan.
2. Käytä pumpun kahvaa jakaaksesi hydraulivoimaa järjestelmään. Painetta säilytetään kunnes venttiili siirtyy.
3. Saadaksesi öljyn palautumaan säiliöön, siirrä venttiilin kahva asentoon 2.



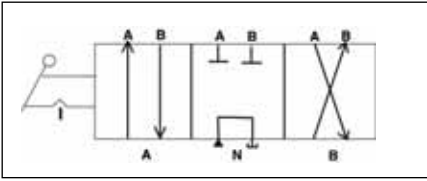
Kuva 7

5.5 Kaksitoimiset sovellukset 4-tie, 3-asentoisella manuaaliventtiilillä.

4-tie ohjausventtiilillä varustetut pumput on suunniteltu toimimaan kaksitoimisilla sylintereillä. Katso kuva 8 nähdäksesi venttiilin asennot.

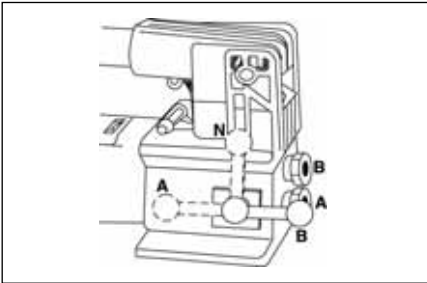


Kuva 8a



Kuva 8b

1. Aseta vipu 4-tie venttiilillä seuraavasti valitaksesi toiminnon:
 - (A) Virtaus porttiin "A"; portti "B" palauttaa virtauksen takaisin säiliöön
 - (N) Neutraali; "A" ja "B" portit on tukittu
 - (B) Virtaus porttiin "B"; portti "A" palauttaa virtauksen takaisin säiliöön



Kuva 8c

2. Käytä pumppu työn suorittamiseen.
3. Vaihda venttiin asentaja tarpeen mukaan.



VAROITUS : Käytä kaksitoimista sylinteriä vain kun molemmat letkut on liitetty pumppuun. Jos yksi kytkin on jätetty kytkemättä, korkea paine muodostuu kytkimen taakse, joka saattaa aiheuttaa henkilövahinkoja ja/tai laitteiston vaurioitumisen.

5.6 Varoventtiilin säätö

Kaikissa pumpeissa on tehtaalla asennettu varoventtiili, joka ehkäisee järjestelmän ylipaineistumista. Alempia paineasetuksia voidaan saada. Ota yhteys valtuutettuun Enerpac-huoltokeskukseen.

6.0 ILMANPOISTO

Ilman poistaminen hydraulijärjestelmästä auttaa sylinteriä ojentumaan ja vetäytymään takaisin sujuvasti (katso kuva 9).

6.1 Pumppu yksitoimisella sylinterillä (A)

1. Ilmaa pumpun säiliö (ainoastaan ilmatavalle pumpeille) ja sulje poistoventtiili.
2. Sijoita pumppu korkeammalle kuin sylinteri.
3. Sijoita sylinteri männän pää alas (ylös, jos käytät vetosylinteriä). Katso alla oleva kuva 9.
4. Käytä pumppua ojentaaksesi sylinterin kokonaan (vedä takaisin jos käytät vetosylinteriä).
5. Avaa poistoventtiili vetääksesi sylinterin takaisin (ojenna jos käytät vetosylinteriä). Tämä pakottaa ilman siirtymään ylös pumpun säiliöön.6. Répéter les opérations ci-dessus, au besoin.
7. Lisää öljyä tarvittaessa. Katso sivu 7.
8. Palauta ilma/täyttökorkki käyttöasentoon.

6.2 Pumppu kaksitoimisella sylinterillä (B)

1. Ilmaa pumpun säiliö (ainoastaan ilmatavalle pumpeille).
2. Sijoita pumppu korkeammalle kuin sylinteri.
3. Aseta sylinteri vaak-asentoon portit ylös. Katso kuva 9.
4. Ojenna ja vedä sylinteri takaisin kokonaan 2-3 kertaa.
5. Toista yllä mainitut vaiheet tarpeen mukaan.
6. Lisää öljyä tarvittaessa. Katso sivu 7.
7. Palauta ilma/täyttökorkki käyttöasentoon.

7.0 YLLÄPITO

Käytä näissä pumpeissa ainoastaan Enerpacin hydraulioöljyä edistääksesi pumpun pitkäikäisyyttä ja suojataksesi saamaasi takuuta. Viton- ja EPR-tiivistesarjat on saatavilla erälle käsipumpeille. Ota yhteyttä Enerpac-edustajaan näihin tuotteisiin ja niiden käyttöön liittyviä lisätietoja varten.

7.1 Öljyn lisääminen pumppuun

Tarkista öljytaso säännöllisin väliajoin.



VAROITUS : Lisää öljyä aina kun sylinterit ovat vetäytyneet kokonaan taakse (ojennettuja jos kyseessä on vetosylinterit). Muussa tapauksessa järjestelmä sisältää enemmän öljyä kuin säiliön tilavuus sallii.

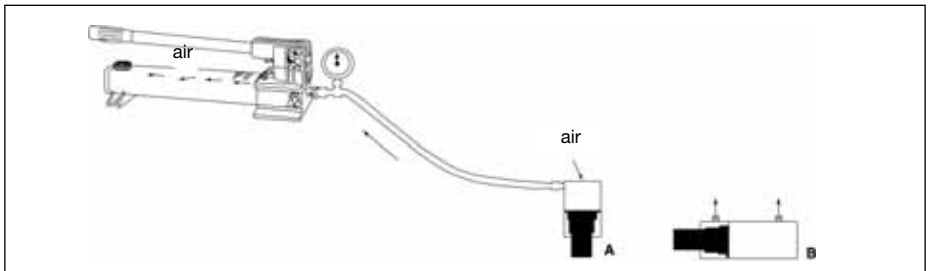


Figure 9

Figure 10

1. Irrota säiliön ilma-/täyttökorkki.
2. Täytä säiliö ainoastaan pumpussa olevaan merkkiin asti.
3. Poista ilma järjestelmästä tarvittaessa. Katso sivu 6. Tarkista öljytaso uudelleen ilman poiston jälkeen.
4. Palauta ilma/täyttökorkki oikeaan asentoon.

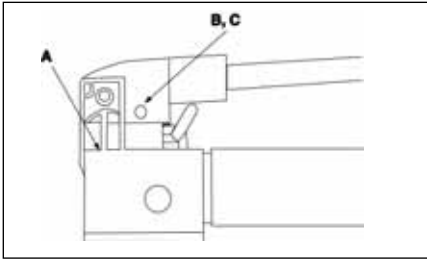
HUOMAA : Ilmaamattomat käsipumput vaativat ilmaa säiliössä niiden kunnollista toimintaa varten. Jos säiliö on kokonaan täytetty, tyhjiö muodostuu ja ehkäisee öljyä virtaamaan ulos pumpusta.

7.2 Öljyjohtinten puhtaanapito

Kun liitinpuolisot on kytketty irti, ruuvaa aina pölykannet päälle. Varmista, ettei yksikköön pääse likaa, sillä vieraat aineet voivat aiheuttaa pumpun, sylinterin tai venttiilin toimintahäiriön.

7.3 Pumpun voitelu

Pidentääksesi pumpun ikää ja parantaaksesi sen suorituskykyä, voitele ulokkeen tappi (A), ristikkapaleen tappi (B) ja männän pää (C) säännöllisin väliajoin käyttämällä rullalaakerirasvaa. Katso kuva 10.



7.4 Öljynvaihto

1. Tyhjennä kaikki öljy ja täytä puhtaalla Enerpac-öljyllä 12 kuukauden välein. Jos pumpppua käytetään likaisissa ympäristöissä, vaihda öljy useammin.
2. Irrota säiliön ilma-/täyttökorkki tai tulppa.
3. Kallista pumpppua tyhjentääksesi vanhan öljyn.
4. Täytä säiliö ainoastaan pumpussa olevaan merkkiin asti.
5. Aseta ilma-/täyttökorkki tai tulppa takaisin paikalleen.
6. Hävitä jäteöljy asianmukaisesti.

8.0 VIANMÄÄRITYSOPAS

Seuraavat tiedot on tarkoitettu avuksi selvittäessä onko ongelmia. Ota yhteys valtuutettuun Enerpac-huoltokeskukseen korjauspalveluiden suhteen.

VIANMÄÄRITYSOPAS		
Problème	Mahdollinen syy	Ratkaisu
Sylinteri ei etene, etenee hitaasti tai odottamatta.	<ol style="list-style-type: none"> 1. Öljytaso liian alhainen pumpun säiliössä. 2. Poistiventtiili auki. 3. Hydrauliliitin löysä. 4. Liian raskas kuorma. 5. Ilmaa järjestelmässä. 6. Sylinterin mäntä sitoutunut. 	<ol style="list-style-type: none"> 1. Lisää öljyä sivulla 6 annettujen käyttöohjeiden mukaan. 2. Sulje poistiventtiili. 3. Tarkista, että kaikki liittimet on täysin kiristetty. 4. Älä yritä nostaa luokiteltuun tonnilukuun nähden enemmän. 5. Poista ilma sivulla 6 annettujen käyttöohjeiden mukaan. 6. Tarkista sylinteri vaurioiden varalta. Huollata sylinteri pätevän hydraulitekniikon puolesta.
Ilman poistaminen hydraulijärjestelmästä auttaa sylinteriä ojentumaan ja vetäytymään takaisin sujuvasti (katso kuva 9).	<ol style="list-style-type: none"> 1. Liitäntä vuotaa. 2. Tiivisteet vuotavat. 3. Pumpun sisäinen vuoto. 	<ol style="list-style-type: none"> 1. Tarkista, että kaikki liittännät ovat kireitä ja tiiviitä. 2. Paikanna vuoto (vuodot) ja anna pätevän hydraulitekniikon huoltaa varusteet. 3. Huollata pumppu pätevän hydraulitekniikon puolesta.
Sylinteri ei vetäydy, vetäytyy osittain tai normaalin nähden hitaammin.	<ol style="list-style-type: none"> 1. Poistiventtiili kiinni. 2. Pumpun säiliö on ylitäytetty. 3. Hydrauliliitin löysä. 4. Ilmaa järjestelmässä. 5. Letkutunniste liian kapea. 6. Sylinterin palautusjousi rikki tai muu sylinterivaurio. 	<ol style="list-style-type: none"> 1. Avaa poistiventtiili. 2. Tyhjennä öljytaso täysi-merkkiin asti Katso öljyn lisäämiseen liittyvät ohjeet sivulta 7. 3. Tarkista, että kaikki liittimet on täysin kiristetty. 4. Poista ilma sivulla 6 annettujen käyttöohjeiden mukaan. 5. Käytä läpimitaltaan leveämpää hydrauliletkeä. 6. Huollata sylinteri pätevän hydraulitekniikon puolesta.

L1763 Rev I 03/09

Списки запасных частей для этого изделия имеются на сайте www.enerpac.com компании Енеграс либо в ближайшем к вам ее сервисном центре или коммерческом представительстве.

1.0 ВАЖНЫЕ УКАЗАНИЯ ПРИ ПОЛУЧЕНИИ ИЗДЕЛИЯ

Визуально осмотрите все компоненты на предмет повреждения при доставке. На повреждения, полученные при доставке, гарантия не распространяется. Если таковое обнаружится, немедленно известите об этом транспортную компанию. Транспортная фирма несет ответственность по стоимости за весь ремонт и замену товара, поврежденного при транспортировке.

БЕЗОПАСНОСТЬ – ПРЕЖДЕ ВСЕГО!

2.0 Вопросы безопасности



Внимательно прочитайте все инструкции, предупреждения и предостережения. Следуйте всем мерам безопасности во избежание травм или повреждения имущества во время работы. Енеграс не может нести ответственность за повреждение имущества или травмы, происшедшие в результате не соблюдения требований безопасности при эксплуатации изделий, недостаточного технического обслуживания или неправильного применения оборудования. Если имеются сомнения, касающиеся вопросов безопасности или применения оборудования, обращайтесь в компанию Енеграс. Если вы никогда не проходили обучение правилам техники безопасности при работе с гидравлическим оборудованием высокого давления, обратитесь в оптовую базу или сервисный центр компании Енеграс, чтобы пройти такое обучение бесплатно.

Несоблюдение требований следующих предостережений и предупреждений может привести к травмам персонала и повреждению оборудования.

Надпись «ОСТОРОЖНО!» используется для указания на правильные методы работы или выполнения технического обслуживания, чтобы избежать повреждения или разрушения оборудования или другого имущества.

Надпись «ПРЕДУПРЕЖДЕНИЕ» указывает на возможную опасность, требующую точного соблюдения правил эксплуатации и техники безопасности для избежания травмы.

Надпись «ОПАСНО!» используется только тогда, когда ваши действия или бездействие могут привести к получению тяжелой травмы или даже смерти.



ПРЕДУПРЕЖДЕНИЕ. При работе с гидравлическим оборудованием носите специальные средства индивидуальной защиты.



ПРЕДУПРЕЖДЕНИЕ. Не стойте под грузами, поддерживаемыми гидравлическими устройствами. Цилиндр, используемый как подъемное устройство, не должен использоваться для удержания груза. После поднятия или опускания груза он должен фиксироваться с помощью механических устройств.



ПРЕДУПРЕЖДЕНИЕ. ДЛЯ ФИКСАЦИИ ГРУЗОВ ПОЛЬЗУЙТЕСЬ ТОЛЬКО ЖЕСТКИМИ ПРЕДМЕТАМИ.

Тщательно выбирайте стальные или деревянные подкладки, способные удержать груз. Не используйте гидравлический цилиндр в качестве прокладки или распорки при подъеме или сжатии груза.



ОПАСНО! Чтобы избежать травмы, не прикасайтесь к цилиндру и изделию руками и ногами во время работы.



ПРЕДУПРЕЖДЕНИЕ. Не превышайте паспортных данных оборудования. Не пытайтесь поднять груз, вес которого превышает грузоподъемность цилиндра. Перегрузка оборудования приводит к выходу его из строя и травмам. Данные цилиндры рассчитаны на давление не более 700 бар (10 000 psi). Не подсоединяйте подъемник или цилиндр к насосу с более высоким давлением.



ОПАСНО! Не устанавливайте предохранительный клапан на давление, превышающее максимальное давление насоса. Установка более высоких параметров может привести к повреждению оборудования и/или к получению травмы. Не снимайте предохранительный клапан.



ПРЕДУПРЕЖДЕНИЕ. Рабочее давление системы не должно превышать номинальное давление компонента системы, имеющего минимальное номинальное давление. Для контроля рабочего давления установите в системе манометры. Это ваше окно, через которое вы наблюдаете, что происходит в системе.



ВНИМАНИЕ! Не допускайте повреждения гидравлического шланга. При прокладке гидравлических шлангов не допускайте изгибов под острым углом и петлю. Использование изогнутого или петлеобразного шланга приведет к значительному противодействию. Изгибы под острым углом и петли приводят к повреждению внутренней поверхности шланга и преждевременному выходу его из строя.



Не допускайте падения на шланг тяжелых предметов. Сильные удары могут привести к повреждению внутренних проволочных жил шланга. Подача давления в поврежденный шланг может привести к его разрыву.



ЭТО ВАЖНО! Не поднимайте гидравлическое оборудование за шланги или вертлюжные соединения. Пользуйтесь ручьятками, предназначенными для переноски, или другими средствами безопасной транспортировки.



ВНИМАНИЕ! Не допускайте воздействия на гидравлическое оборудование пламени и тепла. Чрезмерный нагрев приведет к размягчению сальников и уплотнений и последующим утечкам жидкости. Кроме того, при

нагреве материал шлангов и сальники становятся менее прочными. Для обеспечения оптимального режима работы не допускайте нагрева оборудования до температуры 65 °C (150 °F) и выше. Предохраняйте шланги и цилиндры от брызг металла при сварке.



ОПАСНО! Не перемещайте шланги, находящиеся под давлением. Масло, вытекающее под давлением, может прорвать кожу и привести к тяжелым травмам. Если под кожу попало масло, немедленно обратитесь к врачу.



ПРЕДУПРЕЖДЕНИЕ. Пользуйтесь только гидравлическими цилиндрами, подключенными к системе. Не пользуйтесь цилиндрами с отсоединенными соединительными муфтами. При чрезмерной нагрузке цилиндра может произойти катастрофическое разрушение его компонентов, приводящее к тяжелым травмам.



ПРЕДУПРЕЖДЕНИЕ. ПЕРЕД ПОДЪЕМОМ ГРУЗА УБЕДИТЕСЬ, ЧТО УСТРОЙСТВО НАХОДИТСЯ В УСТОЙЧИВОМ СОСТОЯНИИ.

Цилиндры должны быть расположены на плоской поверхности, способной выдержать вес груза. Если это возможно, используйте для повышения устойчивости основание цилиндра. Не пользуйтесь сваркой и не измените конструкцию цилиндра для крепления основания или другой опоры.



Избегайте ситуаций, при которых нагрузка приложена не по оси плунжера цилиндра. Приложенные не по оси нагрузки вызывают значительные напряжения в цилиндрах и плунжерах. Кроме того, груз может соскользнуть или упасть, что может

ТЕХНИЧЕСКИЕ ХАРАКТЕРИСТИКИ – Пользуйтесь данной инструкцией для работы со следующими моделями ручных насосов

Технические характеристики ручных насосов						
Модель	Тип (Скорость)	Максимальное номинальное давление psi [бар]		Объем масла за 1 ход поршня дюйм ³ [см ³]		Полезный объем масла дюйм ³ [см ³]
EHF-65	1	6,500 [440]		.16 [2.62]		22 [360]
P-18	1	2,850 [200]		.16 [2.62]		22 [360]
P-25	1	2,500 [170]		.58 [9.51]		231 [3786]
P-39, 1003	1	10,000 [700]		.16 [2.62]		43 [705]
P-50	1	5,000 [340]		.29 [4.75]		231 [3786]
P-51	1	3,000 [210]		.25 [4.09]		50 [820]
P-141, 1001	1	10,000 [700]		.055 [9.0]		20 [328]
P-391, 1004	1	10,000 [700]		.151 [2.47]		55 [900]
		Ступень 1	Ступень 2	Ступень 1	Ступень 2	
P-80, 1006	2	350 [25]	10,000 [700]	.99 [16.23]	.15 [2.46]	140 [2295]
P-84	2	350 [25]	10,000 [700]	.99 [16.23]	.15 [2.46]	140 [2295]
P-142, 1002	2	200 [14]	10,000 [700]	.221 [3.62]	.055 [9.0]	20 [328]
P-142AL	2	200 [14]	10,000 [700]	.221 [3.62]	.055 [9.0]	9.0 [148]
P-202	2	200 [14]	10,000 [700]	.221 [3.62]	.055 [9.0]	55 [900]
P-77	2	200 [14]	10,000 [700]	.63 [16.0]	.094 [2.41]	47 [769]
P-392, 1005	2	200 [14]	10,000 [700]	.687 [11.26]	.151 [2.47]	55 [900]
P-392AL	2	200 [14]	10,000 [700]	.687 [11.26]	.151 [2.47]	55 [900]
P-462	2	200 [14]	10,000 [700]	7.69 [126.00]	.29 [4.75]	462 [7572]
P-464	2	200 [14]	10,000 [700]	7.69 [126.00]	.29 [4.75]	462 [7572]
P-801	2	350 [25]	10,000 [700]	.99 [16.23]	.15 [2.46]	250 [4095]
P-802	2	400 [28]	10,000 [700]	2.40 [39.34]	.15 [2.46]	155 [2540]
P-842	2	400 [28]	10,000 [700]	2.40 [39.34]	.15 [2.46]	155 [2540]

привести к опасным последствиям.



Равномерно распределяйте нагрузку по всей поверхности опоры. Для предохранения плунжера всегда пользуйтесь пятой.



ЭТО ВАЖНО! Обслуживание гидравлического оборудования должно выполняться только квалифицированным специалистом по гидравлике. Для выполнения ремонта обратитесь в сервисный центр ENERPAC. Чтобы сохранить право на гарантию, используйте только масло ENERPAC.



ПРЕДУПРЕЖДЕНИЕ. Изношенные или поврежденные части должны немедленно заменяться частями от компании-изготовителя ENERPAC. Части обычного качества выйдут из строя, нанося травмы и повреждая имущество. Части от компании ENERPAC правильно устанавливаются и выдерживают большие нагрузки.



ВНИМАНИЕ! Для переноски насоса пользуйтесь только ручкой. Переноска насоса за шланг может привести к повреждению шланга и/или насоса.

3.0 ОПИСАНИЕ

3.1 Модели P-141, 1001/P-142, 1002/P-202/P-391, 1004/P-392, 1005/P802, et P-842

На рис. 1 и в соответствующей таблице показаны основные компоненты ручных насосов моделей P-141, P-142, P-202, P-391, P-392, P-802 и P-842. Крышка вентиляции/налива имеет двойное назначение и в случае случайной подачи в резервуар давления действует как предохранительный клапан. Чтобы обеспечить входное отверстие в задней части бака для дальних клапанов, воспользуйтесь комплектом для возврата масла в бак. Номера моделей комплектов см. в табл. 1.

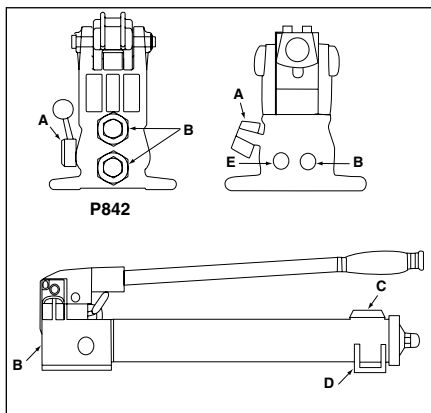


Рисунок 1

Таблица 1

Рисунок 1	P-141, 1001	P-142, 1002	P-202	P-391, 1004	P-392, 1005	P-802	P-842
A	Выпускной клапан	Выпускной клапан	Выпускной клапан	Выпускной клапан	Выпускной клапан	Выпускной клапан	4-ходовой клапан
B	Выходное отверстие	Выходное отверстие	Выходное отверстие	Выходное отверстие	Выходное отверстие	Выходное отверстие	Выходное отверстие
C	Крышка для вентиляции/налива	Крышка для вентиляции/налива	Крышка для вентиляции/налива	Крышка для вентиляции/налива	Крышка для вентиляции/налива	Крышка для вентиляции/налива	Крышка для вентиляции/налива
D	Монтаж	Монтажные пазы	—	—	—	Монтажные пазы	Монтажные пазы
E	—	—	—	—	—	Отверстие для возврата масла в бак	—
Комплект для возврата масла в бак	PC-20	PC-20	PC-25	PC-25	PC-25	—	—

Таблица 2

Рисунок 2	P-18	P-39, 1003	P-77	P-80, 1006	P-84	P-801
A	Выпускной клапан	Выпускной клапан	Выпускной клапан	Выпускной клапан	Выпускной клапан	Выпускной клапан
B	Выходное отверстие	Выходное отверстие	Выходное отверстие	Выходное отверстие	Выходное отверстие	Выходное отверстие
C	Пробка горловины налива	Пробка горловины налива	Пробка горловины налива	Пробка горловины налива	Пробка горловины налива	Пробка горловины налива
D	—	—	—	Отверстие для возврата масла в бак	—	Отверстие для возврата масла в бак

3.2 Модели P-18/P39, 1003/P-80, 1006/P-84/P-801, P-77

На рис. 2 и в соответствующей таблице ниже показаны основные узлы данных моделей ручных насосов. Модель P-84 оборудована 4-ходовым, 3-позиционным клапаном для работы с цилиндрами двустороннего действия. Чтобы преобразовать модели P-18 или P-39 в ножной насос следует заказывать ремонтный комплект PC-10.

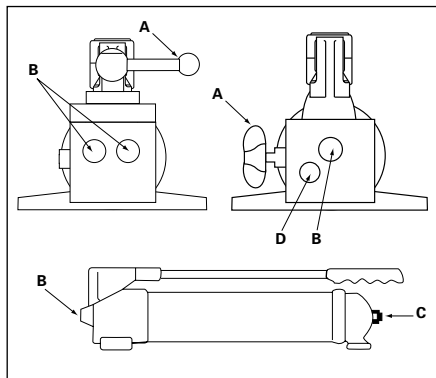


Рисунок 2



ПРЕДУПРЕЖДЕНИЕ. Данные насосы работают с невентилируемым резервуаром. В случае, если резервуар находится под высоким давлением, корпус может разорваться, причинив травму персоналу и/или повреждение оборудованию. Никогда НЕ пытайтесь возвратит в резервуар больше масла, чем он может принять.

3.3 Модели P-462 et P-464

На рис. 3 и в таблице ниже показаны основные конструктивные особенности ручных насосов моделей P-462 для использования с цилиндрами одностороннего действия и моделей P-464 для использования с цилиндрами двустороннего действия.

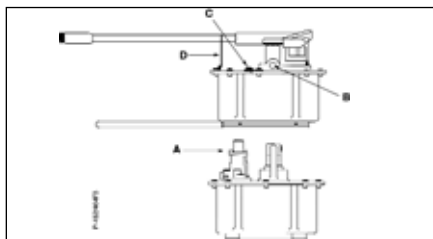


Рисунок 3, P-462 и P-464

Таблица 3	
Fig. 3 P-462	P-464
A 3-ходовой	2-позиционный клапан
B Выходное отверстие 3/8 NPTF	Выходное отверстие 3/8 NPTF
C Bouchon reniflard	Bouchon reniflard
D Хомут рукоятки	Хомут рукоятки

3.4 Модель P-25, P-50 et P-51

На рис. 4 показан ручной насос моделей P-25 и P-50, каждая из которых оборудована рукояткой, работающей в обоих направлениях. На рис. 5 показан ручной насос P-51. Основные узлы этих насосов перечислены в таблице ниже.

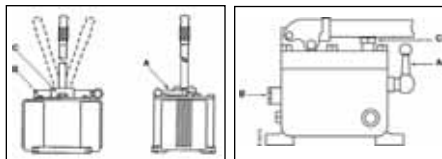


Рисунок 4, Модель P-25 and P-50 Рисунок 5, Модель P-51

Tableau 4 et 5			
Рисунок	P-25	P-50	P-51
A	Выпускной клапан	Выпускной клапан	Выпускной клапан
B	Выходное отверстие 3/8 NPTF	Выходное отверстие 3/8 NPTF	Выходное отверстие 3/8 NPTF
C	Крышка для вентиляции/налива	Крышка для вентиляции/налива	Крышка для вентиляции/налива

4.0 Установка

4.1 Присоединение насоса

1. Вверните шланг в выпускное отверстие насоса. Намотайте на фитинги 1 1/2 витка тефлоновой ленты (или другого пригодного уплотнения резьбы), оставив первый полный виток резьбы свободным от ленты или уплотнения, чтобы не допустить попадания уплотнения в

гидравлическую систему и не повредить ее. Обрежьте свисающие концы ленты.

- Установите манометр в магистраль с насосом для обеспечения дополнительной безопасности и лучшего контроля.
- Присоедините шланг(и) к цилиндру или инструменту.

ПРИМЕЧАНИЕ. Для цилиндров одностороннего действия присоедините шланг от насоса к цилиндру. Для цилиндров двустороннего действия присоедините два шланга. Присоедините шланг от отверстия нагнетания насоса к отверстию нагнетания цилиндра. Другой шланг присоедините от всасывающего отверстия насоса к всасывающему отверстию цилиндра.

4.2 Вентиляция насоса

Для определения будет ли насос работать с вентилируемым или не вентилируемым резервуаром обратитесь к таблице ниже. Вентилируемые насосы имеют несколько лучшие характеристики. Для насосов с нейлоновым резервуаром поверните крышку вентиляции/налива против часовой стрелки на 1/4 оборота в положение «вентиляция». Для других насосов см. указатель на насосе. Чтобы предотвратить утечку масла при транспортировке насоса, закройте предварительно вентиляционное отверстие.

OPTIONS D'AÉRATION	
EHF-65..... Не вентилируемый	P-202..... Тот или другой
P-18..... Не вентилируемый	P-391, 1004..... Тот или другой
P-25..... Тот или другой	P-77..... Вентилируемый
P-39, 1003..... Вентилируемый	P-392, 1005..... Тот или другой
P-50..... Тот или другой	P-392AL..... Вентилируемый
P-51..... Вентилируемый	P-462..... Вентилируемый
P-80, 1006..... Тот или другой	P-464..... Вентилируемый
P-84..... Тот или другой	P-801..... Не вентилируемый
P-141, 1001..... Тот или другой	P-802..... Тот или другой
P-142, 1002..... Тот или другой	P-842..... Тот или другой
P-142AL..... Не вентилируемый	

4.3 Положение насоса

Чтобы определить правильное рабочее положение насоса (горизонтальное или вертикальное), обратитесь к таблице ниже.

POSITION DE SERVICE	
EHF-65..... Тот или другой	P-202..... Тот или другой
P-18..... Тот или другой	P-391, 1004..... Тот или другой
P-25..... Только горизонтальное	P-77..... Тот или другой
P-39, 1003..... Тот или другой	P-392, 1005..... Тот или другой
P-50..... Только горизонтальное	P-392AL..... Тот или другой
P-51..... Только горизонтальное	P-462..... Только горизонтальное
P-80, 1006..... Тот или другой	P-464..... Только горизонтальное
P-84..... Тот или другой	P-801..... Тот или другой
P-141, 1001..... Тот или другой	P-802..... Тот или другой
P-142, 1002..... Тот или другой	P-842..... Тот или другой
P-142AL..... Тот или другой	

ПРИМЕЧАНИЕ. При работе насоса в вертикальном положении конец шланга должен быть направлен вниз, в противном случае насос будет захватывать воздух и не будет обеспечивать давление надлежащим образом.

5.0 ЭКСПЛУАТАЦИЯ

5.1 Перед использованием насоса

- Проверьте все соединения и фитинги системы и убедитесь, что они плотно затянуты и не имеют утечек.
- Перед пуском насоса проверьте уровень масла в резервуаре. См. «Доливка масла в насос» на стр. 7



ВНИМАНИЕ! Никогда не добавляйте удлинители к рукоятке насоса. Использование удлинителей приводит к неустойчивой работе насоса.



ПРЕДУПРЕЖДЕНИЕ. В некоторых случаях рукоятка насоса может «ударить назад». Всегда находитесь сбоку от насоса, в стороне от линии усилия на рукоятке.

ПРИМЕЧАНИЕ. Для уменьшения усилия, прилагаемого к рукоятке при высоком давлении, делайте короткие ходы. Максимальная рычажная передача достигается на последних 5° хода.

5.2 Использование двухсторонних насосов

Эти насосы обеспечивают 2-ступенчатый расход. При работе без нагрузки насос работает на первой ступени высокого расхода, чтобы обеспечить быстрое продвижение. При касании нагрузки насос автоматически переключается на вторую стадию для увеличения давления. Для насосов моделей P-462 или P-464, когда давление насоса достигает примерно 200 psi (14 бар), нужно немедленно прекратить нагнетание и поднять рукоятку, чтобы перейти на ступень высокого давления. Для моделей P-802 или

Для насосов моделей P-802 или P-842, когда давление насоса достигает примерно 400 psi (28 бар), нужно немедленно прекратить нагнетание и поднять рукоятку, чтобы перейти на ступень высокого давления. После переключения насоса нагнетание требует меньших усилий.

ПРИМЕЧАНИЕ. Для достижения наилучших характеристик работайте рукояткой насоса со средней скоростью на первой ступени с высоким расходом. Быстрое движение рукоятки на первой ступени предотвратит насос от перекачивания всего объема масла.

5.3 Насос одностороннего действия с выпускным клапаном

- Закройте выпускной клапан, повернув его по часовой стрелке, как показано на рис. 6.

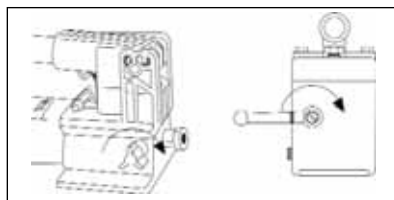


Рисунок 6



PRCAUTION : Serrer le robinet de dOcharge И la main UNIQUEMENT. L'emploi d'outils sur le robinet de dOcharge peut l'endommager et risque de causer un mauvais fonctionnement de la pompe.

2. Работайте рукояткой насоса, чтобы подать в систему гидравлическую энергию. Давление будет поддерживаться, пока не будет открыт выпускной клапан.
 3. Откройте выпускной клапан (поверните его против часовой стрелки), чтобы сбросить давление, позволяя тем самым маслу стекать назад в резервуар.
- 5.4 Насосы двустороннего действия с 3-ходовым, 2-позиционным ручным клапаном
1. Переключите рукоятку клапана в положение 1, как показано на рис. 7
 2. Работайте рукояткой насоса, чтобы подать в систему гидравлическую энергию. Давление будет поддерживаться, пока не будет переключен клапан.
 3. Чтобы дать маслу вернуться в резервуар, переключите рукоятку клапана в положение 2.

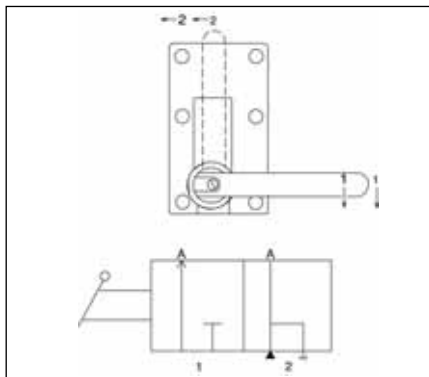


Рисунок 7

5.5 Насосы двустороннего действия с 4-ходовым, 3-позиционным ручным клапаном

Насосы с 4-ходовыми регулируемыми клапанами предназначены для работы с цилиндрами двустороннего действия. На рис. 8 указаны положения клапана.

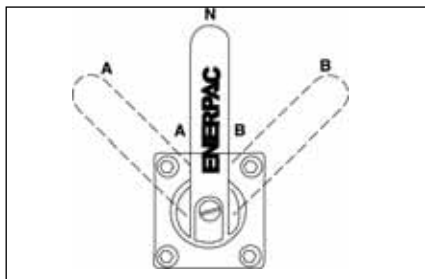


Рисунок 8а

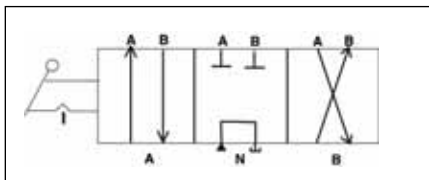


Рисунок 8b

1. Положения рукоятки 4-ходового клапана в зависимости от выполняемой им функции следующие:
 - (A) Направление потока в канал «А», канал «В» возвращает поток назад в резервуар.
 - (N) Нейтральное; отверстия «А» и «В» перекрыты.
 - (B) Направление потока в канал «В», канал «А» возвращает поток назад в резервуар.

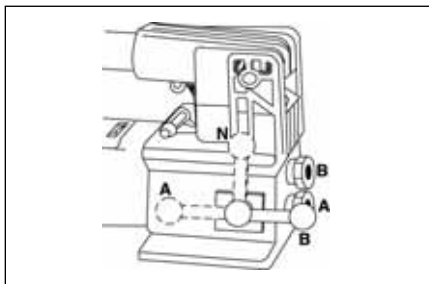


Рисунок 8с

2. Запустите насос для выполнения работы.
3. Меняйте положения клапана, как вам это требуется.



ПРЕДУПРЕЖДЕНИЕ. Производите работу с цилиндром двустороннего действия только тогда, когда оба шланга присоединены к насосу. Если одна из соединительных муфт оставлена не присоединенной, позади нее будет создаваться высокое давление, которое может привести к травме и/или повреждению оборудования.

5.6 Регулировка предохранительного клапана

Для предотвращения превышения давления в системе все насосы имеют установленный на заводе-изготовителе предохранительный клапан. Может быть выполнена настройка на более низкое давление. Обратитесь в сервисный центр компании Энергас.

6.0 Удаление воздуха

Удаление воздуха из гидравлической системы будет способствовать плавному выдвигению и возврату цилиндра (см. рис. 9).

- 6.1 Насос с цилиндром одностороннего действия (А)
1. Провентилируйте резервуар насоса (только для вентилируемых насосов) и закройте выпускной клапан.
 2. Расположите насос выше цилиндра.
 3. Установите цилиндр в положение с плунжером, обращенным концом вниз (вверх, если используется стягивающий цилиндр). См. рис. 9 ниже.
 4. Работайте насосом до полного выдвижения цилиндра (возврата, если используется стягивающий цилиндр).
 5. Откройте выпускной клапан для возврата цилиндра (выдвижения, если используется стягивающий цилиндр). Это заставит захватываемый воздух двигаться в верхнюю часть резервуара насоса.
 6. При необходимости повторите вышеописанную последовательность действий.
 7. При необходимости добавьте масла. См. стр. 7.
 8. Верните крышку вентиляции/налива в рабочее положение.
- 6.2 Насос с цилиндром двустороннего действия (В)
1. Провентилируйте резервуар насоса (только для вентилируемых насосов).
 2. Расположите насос выше цилиндра.
 3. Установите цилиндр в горизонтальное положение отверстиями вверх. См. рис. 9.
 4. Два-три раза полностью выдвиньте и втяните цилиндр.
 5. При необходимости повторите вышеописанную последовательность действий.
6. При необходимости добавьте масла. См. стр. 7
7. Верните крышку вентиляции/налива в рабочее положение.

70 ТЕКУЩИЙ РЕМОНТ

Чтобы обеспечить длительный срок службы насоса и сохранить гарантию, пользуйтесь только гидравлическим маслом Enegras. Для некоторых ручных насосов имеются комплекты уплотнений из витона и этиленполипропилена (EPR). Чтобы получить дополнительную информацию по этим продуктам и их применению, обратитесь к своему представителю компании Enegras.

71 Доливка масла в насос

Регулярно проверяйте уровень масла.



ПРЕДУПРЕЖДЕНИЕ : Доливайте масло только при полностью втянутых цилиндрах (выдвинутых, если используются стягивающие цилиндры), иначе в системе будет больше масла, чем может вместить резервуар.

1. Вытащите из резервуара крышку вентиляции/налива.
2. Наполняйте резервуар только до отметки уровня, указанной на насосе.
3. При необходимости удалите из системы воздух. См. стр. 6. После удаления воздуха еще раз проверьте уровень масла.
4. Верните крышку вентиляции/налива в рабочее положение.

ПРИМЕЧАНИЕ. Для надлежащей работы не вентилируемых ручных насосов требуется наличие воздуха в резервуаре. Если резервуар заполнен полностью, образуется разрежение,

GUIDE DE DÉPANNAGE

Problème	Возможная причина	Решение
Цилиндр не выдвигается, выдвигается медленно или выдвигается рывками	<ol style="list-style-type: none"> 1. Низкий уровень масла в резервуаре насоса 2. Открыт выпускной клапан. 3. Ослабшая гидравлическая муфта. 4. Слишком высокая нагрузка 5. В систему захвачен воздух. 6. Заедание плунжера цилиндра 	<ol style="list-style-type: none"> 1. Добавьте масла в соответствии с инструкцией по текущему ремонту, стр. 6. 2. Закройте выпускной клапан. 3. Проверьте, что полностью затянуты все муфты. 4. Не пытайтесь поднять больше установленного тоннажа. 5. Удалите воздух в соответствии с инструкцией, стр. 6. 6. Проверьте цилиндр на наличие повреждений. Поручите обслуживание цилиндра квалифицированному специалисту-гидравлику.
Удаление воздуха из гидравлической системы будет способствовать плавному выдвижению и возврату цилиндра (см. рис. 9).	<ol style="list-style-type: none"> 1. Утечка в соединении 2. Утечка в уплотнениях 3. Внутренняя утечка в насосе 	<ol style="list-style-type: none"> 1. Проверьте, что все соединения затянуты и не имеют утечек. 2. Найдите утечки и поручите обслуживание оборудования квалифицированному специалисту-гидравлику. 3. Поручите обслуживание насоса квалифицированному специалисту-гидравлику.
Цилиндр на возвращается в исходное положение, возвращается частично или возвращается медленнее чем обычно.	<ol style="list-style-type: none"> 1. Закрыт выпускной клапан. 2. Переполнен резервуар насоса. 3. Ослабшая гидравлическая муфта. 4. В систему захвачен воздух. 5. Слишком маленький внутренний диаметр шланга. 6. Повреждена пружина возврата цилиндра или другое повреждение цилиндра. 	<ol style="list-style-type: none"> 1. Откройте выпускной клапан. 2. Слейте масло до отметки уровня. Для доливки масла см. инструкцию на стр. 7 3. Проверьте, что полностью затянуты все муфты. 4. Удалите воздух в соответствии с инструкцией, стр. 6. 5. Используйте гидравлический шланг с большим диаметром. 6. Поручите обслуживание цилиндра квалифицированному специалисту-гидравлику.

которое будет препятствовать вытеканию масла из насоса.

7.2 Содержание в чистоте маслопроводов

Если отсоединены половинки соединительной муфты, навинтите на них пылезащитные колпачки. Принимайте все меры предосторожности для защиты агрегата от проникновения грязи, так как инородные вещества могут вызвать неисправности в работе насоса, цилиндра или клапана.

7.3 Смазка насоса

Для продления срока службы насоса и улучшения его работы нужно регулярно смазывать штифт рычага балки (А), штифт крестовины (В) и головку поршня (С), используя густую смазку для подшипников качения. См. рис. 10.

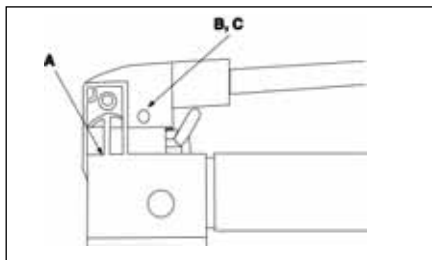


Рисунок 10

7.4 Замена масла

1. Каждые 12 месяцев сливайте все масло и заливajte чистое масло Enerpac. Если насос работает в загрязненной окружающей среде, заменяйте масло чаще.
2. Вытащите из резервуара пробку или снимите крышку вентиляции/налива.
3. Наклоните насос, чтобы вылить старое масло.
4. Наполняйте резервуар только до отметки уровня, указанной на насосе.
5. Поставьте на место крышку вентиляции/налива или пробку.
6. Отработанное масло надлежащим образом утилизируйте.

8.0 РУКОВОДСТВО ПО УСТРАНЕНИЮ НЕИСПРАВНОСТЕЙ

Следующая информация представлена как помощь в определении существующей проблемы. Для выполнения ремонта обратитесь в сервисный центр ENERPAC.

Enerpac Worldwide Locations

◆ **e-mail:** info@enerpac.com

◆ **internet:** www.enerpac.com

Africa

ENERPAC Middle East FZE
Office 423, JAFZA 15
P.O. Box 18004
Jebel Ali, Dubai
United Arab Emirates
Tel: +971 (0)4 8872686
Fax: +971 (0)4 8872687

Australia, New Zealand

Actuant Australia Ltd.
Block V Unit 3
Regents Park Estate
391 Park Road
Regents Park NSW 2143
(P.O. Box 261) Australia
Tel: +61 297 438 988
Fax: +61 297 438 648

Brazil

Power Packer do Brasil Ltda.
Rua dos Inocentes, 587
04764-050 - Sao Paulo (SP)
Tel: +55 11 5687 2211
Fax: +55 11 5686 5583
Toll Free in Brazil:
Tel: 0800 891 5770
vendasbrasil@enerpac.com

Canada

Actuant Canada Corporation
6615 Ordan Drive, Unit 14-15
Mississauga, Ontario L5T 1X2
Tel: +1 905 564 5749
Fax: +1 905 564 0305
Toll Free:
Tel: +1 800 268 4987
Fax: +1 800 461 2456
Technical Inquiries:
techservices@enerpac.com

China

Actuant Industries Co. Ltd.
No. 6 Nanjing Road
Taicang Economic Dep Zone
Jiangsu, China
Tel: +86 0512 5328 7529
+86 0512 5328 7500 7529
Fax: +86 0512 5335 9690

Actuant China Ltd. (Beijing)

709B Diyang Building
Xin No. 2
Dong San Huan North Rd.
Beijing City
100028 China
Tel: +86 10 845 36166
Fax: +86 10 845 36220

Central and Eastern Europe,

Greece

ENERPAC GmbH
P.O. Box 300113
D-40401 Düsseldorf
Willstätterstrasse13
D-40549 Düsseldorf
Germany
Tel: +49 211 471 490
Fax: +49 211 471 49 28

France, Switzerland francophone

ACTUANT - ENERPAC
France S.A., ZA de Courtaboeuf
32, avenue de la Baltique
91140 Villebon / Yvette
France
Tel: +33 1 60 13 68 68
Fax: +33 1 69 20 37 50

Germany, Austria

and **Switzerland**
ENERPAC GmbH
P.O. Box 300113
D-40401 Düsseldorf
Willstätterstrasse13
D-40549 Düsseldorf
Germany
Tel: +49 211 471 490
Fax: +49 211 471 49 28

India

ENERPAC Hydraulics
(India) Pvt. Ltd.
No. 1A,
Peenya Industrial Area,
IInd Phase
Bangalore, 560 058 India
Tel: +91 80 40 792 777
Fax: +91 80 40 792 792

Italy

ENERPAC S.p.a.
Via Canova 4
20094 Corsico (Milano)
Tel: +39 02 4861 111
Fax: +39 02 4860 1288

Japan

Applied Power Japan LTD KK
Besshochou 85-7
Kita-ku,
Saitama-shi 331-0821
Japan
Tel: +81 48 662 4911
Fax: +81 48 662 4955

Middle East, Turkey and Caspian Sea

ENERPAC Middle East FZE
Office 423, JAFZA 15
P.O. Box 18004
Jebel Ali, Dubai
United Arab Emirates
Tel: +971 (0)4 8872686
Fax: +971 (0)4 8872687

Russia and CIS (excl. Caspian Sea Countries)

Actuant LLC
Admiral Makarov Street 8
125212 Moscow, Russia
Tel: +7-495-9809091
Fax: +7-495-9809092

Scandinavia

ENERPAC Scandinavia AB
Fabriksgatan 7
41250 Gothenburg
Sweden
Tel: +46 31 7990281
Fax: +46 31 7990010

Singapore

Actuant Asia Pte. Ltd.
37C, Benoi Road Pioneer Lot,
Singapore 627796
Tel: +65 68 63 0611
Fax: +65 64 84 5669
Toll Free: +1800 363 7722
Technical Inquiries:
techsupport@enerpac.com.sg

South Korea

Actuant Korea Ltd.
3Ba 717,
Shihwa Industrial Complex
Jungwang-Dong, Shihung-Shi,
Kyunggi-Do
Republic of Korea 429-450
Tel: +82 31 434 4506
Fax: +82 31 434 4507

Spain and Portugal

ENERPAC SPAIN, S.L.
Avda. Los Frailes, 40 – Nave C & D
Pol. Ind. Los Frailes
28814 DAGANZO DE ARRIBA (Madrid)
Spain
Tel: +34 91 661 11 25
Fax: +34 91 661 47 89

The Netherlands, Belgium, Luxembourg, Denmark, Norway, Finland and Baltic States

ENERPAC B.V.
Galvanistraat 115, 6716 AE Ede
P.O. Box 8097, 6710 AB Ede
The Netherlands
Tel: +31 318 535 911
Fax: +31 318 525 613
+31 318 535 848

Technical Inquiries Europe:

techsupport.europe@enerpac.com

United Kingdom, Ireland

Enerpac Ltd
Bentley Road South
Darlaston, West Midlands
WS10 8LQ, United Kingdom
Tel: +44 (0)121 50 50 787
Fax: +44 (0)121 50 50 799

USA, Latin America and Caribbean

ENERPAC
P.O. Box 3241
6100 N. Baker Road
Milwaukee, WI 53209 USA
Tel: +1 262 781 6600
Fax: +1 262 783 9562

User inquiries:

+1 800 433 2766

Inquiries/orders:

+1 800 558 0530

Technical Inquiries:

techservices@enerpac.com

ENERPAC

704 W. Simonds
Dallas, TX 75159 USA
Tel: +1 972 287 2390
Fax: +1 972 287 4469

**All Enerpac products are
guaranteed against defects in
workmanship and materials for
as long as you own them.
For your nearest authorized
Enerpac Service Center, visit
us at www.enerpac.com**