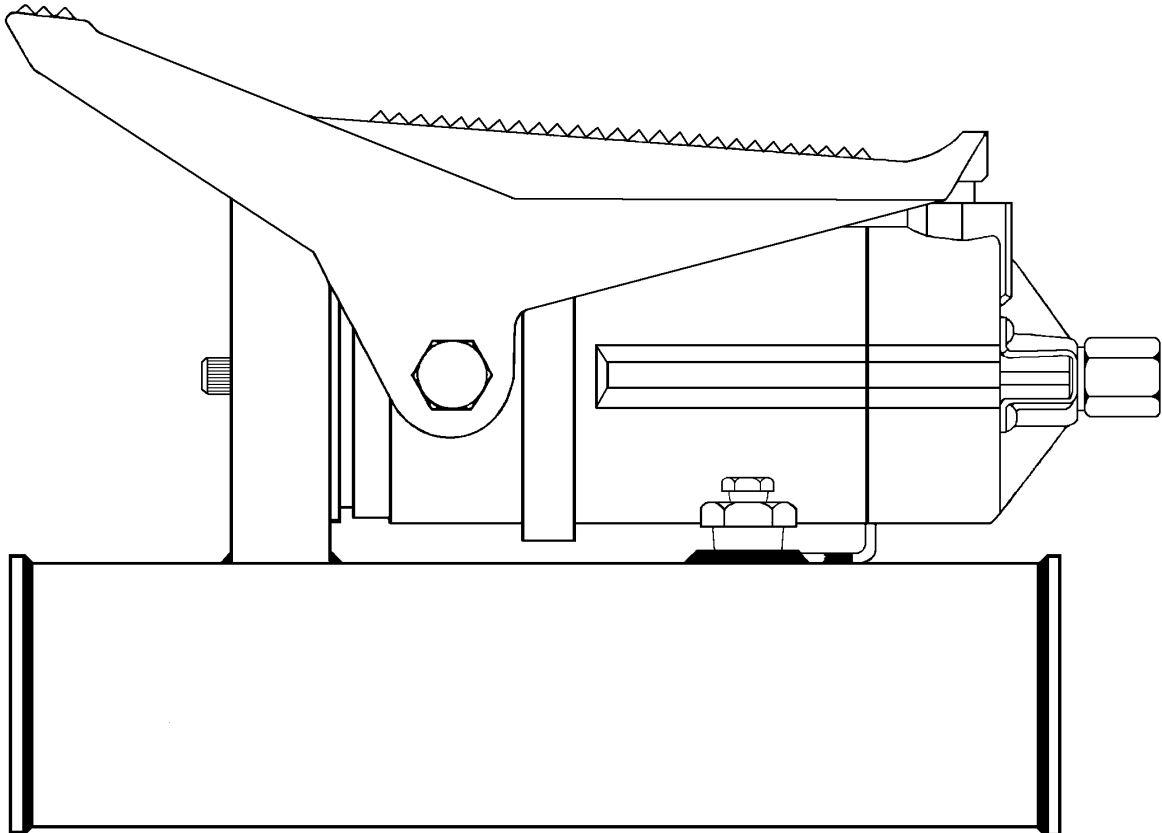
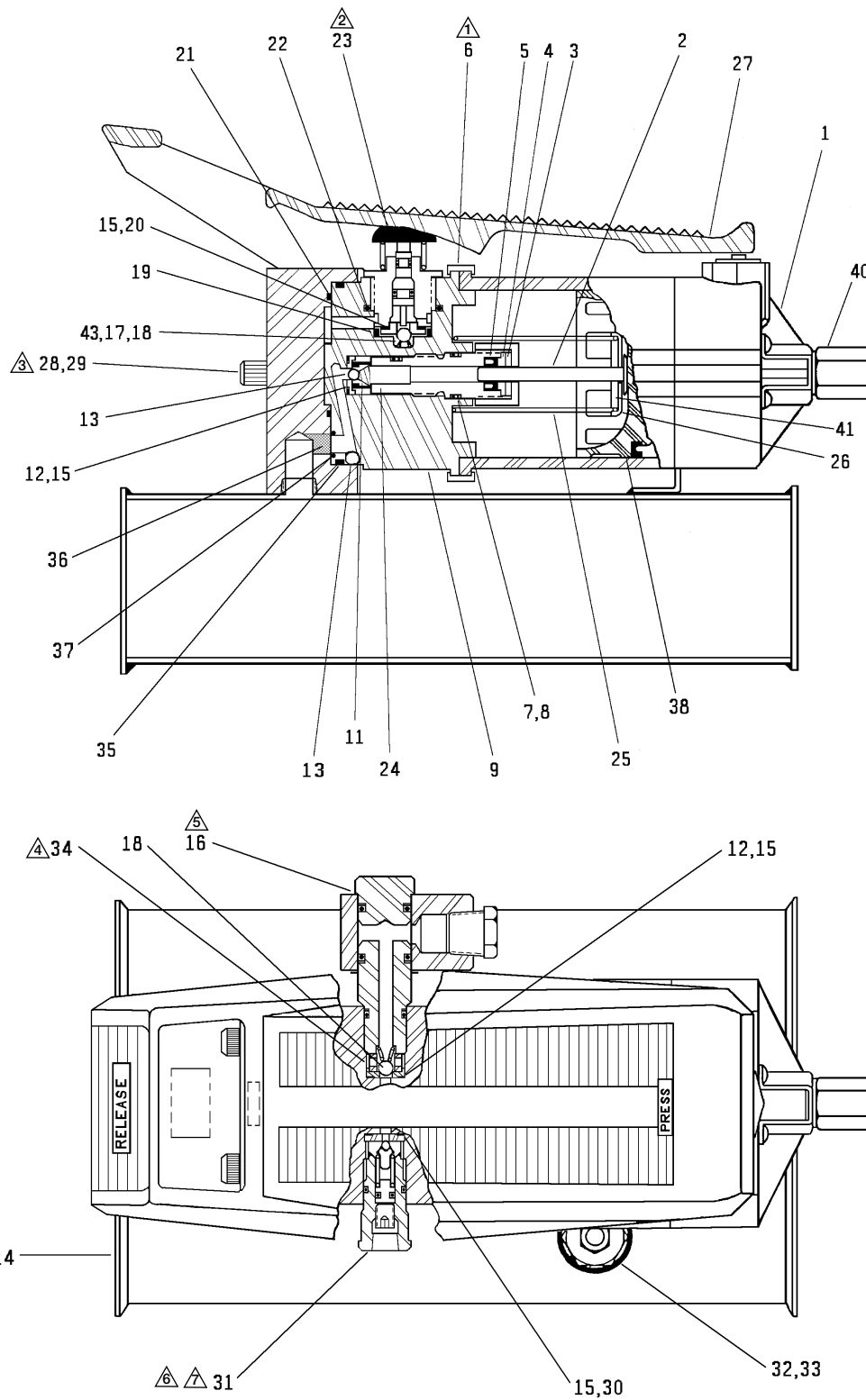


To Protect Your Warranty, Use Only ENERPAC Hydraulic Oil.

Enerpac recommends that all kit components be installed to insure optimum performance of the repaired unit.





Notes:

- | | |
|---|---|
| ⚠️ Tighten item 6 to 30-40 in-lbs. | ⚠️ Torque item 16 to 25 ft-lbs. |
| ⚠️ Torque item 23 to 73-77 ft-lbs. | ⚠️ Torque item 31 to 25 ft-lbs. |
| ⚠️ Torque item 28 to 6 ft-lbs. | ⚠️ Item 31 is factory set for 10,000 PSI operation. DO NOT adjust to higher pressure. See Figure 4 for relief valve adjustment information. |
| ⚠️ Insert ball guide (item 34) with outside chamfer facing ball seat. | |

Figure 1, PA-1150 Air-Hydraulic Power Pump Assembly

Repair Parts List (Refer to Figure 1)							
Item	Part Number	Qty.	Description	Item	Part Number	Qty.	Description
1	DA5816900SR	1	Air Motor Assembly	22	★ B1118903	1	O-Ring
2	CB180040	1	Plunger	23	DA5290900SR1	1	Release Assy. (See Fig. 2)
3	DA1204044	1	Bearing Retainer	24	CJ610030	1	Hydraulic Cylinder
4	CB624108	1	Back-Up Bearing	25	CH210110	1	Spring
5	★ CB918041	1	U-Cup	26	A8009108	1	Washer
6	DA2687111	1	Clamp Bracket	27	CB241218W	1	Treadle
7	★ B1015565	1	Back-Up Washer	28	B1013028	2	Sheet Screw
8	★ B1221503	1	O-Ring	29	★ S3037	2	Gasket
9	DA5387900SR	1	Hydraulic Body Assembly	30	★ CB576290	1	Ball Seat
10	A8079049	1	Retaining Ring	31	CH202950SR	1	Relief Valve Assy (see Fig. 4)
11	★ CK53110	1	Spring	32	A8001212	1	Reducer
12	★ CH814290	2	Ball Seat	33	A9004900SR	1	Vent Fitting Assembly
13	★ B1007016	1	Ball	34	CH411013	1	Ball Guide
14	DA2675900	1	Reservoir Assembly	35	★ B1281503	1	O-Ring
15	★ P20037	4	Gasket	36	★ A8035018	1	Screen
16	(See Fig. 3)	1	Swivel Coupler Assembly	37	★ B1219503	1	O-Ring
17	★ DA5370110	1	Conical Spring	38	CK354950SR	1	Piston Assembly
18	★ B1006016	3	Ball	40	CL163950SR1	1	Coupler Repair Kit
19	★ CL344167	1	Gasket	41	DA7095108	1	Rubber Washer
20	★ CB581290	1	Ball Seat	42	DA2686299	1	Hose Clamp (not shown)
21	★ B1237503	1	O-Ring	43	DC1563013	1	Ball Guide

★ Indicates items included in and available only as part of Pump Repair Kit PA1150K3.

Note: Changes have been made in the design of the shuttle piston, end cover, and air cylinder that improve air motor performance. The new parts WILL NOT work when used with the existing old style parts. If one of these parts requires replacement, a complete new air motor (P/N CF181900SR) must be used.

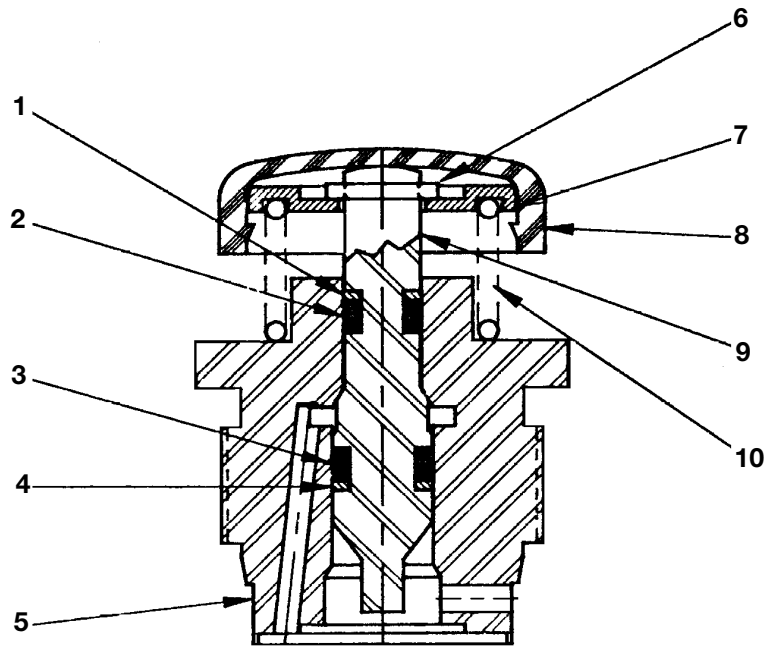


Figure 2, Release Plunger

Repair Parts List (Refer to Figure 2)			
Item	Part Number	Qty.	Description
1	◆ B1006564	1	Back-Up Washer
2	◆ B1001503	1	O-Ring
3	◆ B1003503	1	O-Ring
4	◆ B1008564	1	Back-Up Washer
5	DA5290900SR1	1	Release Guide Assembly
6	◆ DA5025349	1	Retaining Ring
7	DA4848108	1	Spring Washer
8	◆ DA4831020	1	Cap
9	DA4832040	1	Release Plunger
10	◆ DA6971110	1	Spring
◆ Items included in and available only as part of Release Plunger Repair Kit DA4832040KR.			
Notes:			
The Release Plunger Repair Kit DA4832040KR also includes items 15, 17, 18, 19, 20, 22 and 43 from the Pump Assembly (see Figure 1).			
The Release Guide Assembly (item 5, above) also includes items 15, 17, 18, 19, 20, 22 and 43 from the Pump Assembly (see Figure 1).			
The Pump Repair Kit PA1150K3 includes one (1) complete Release Plunger Repair Kit DA4832040KR.			

Important: Pumps manufactured prior to November, 1991 have a release plunger assembly that uses a roller in place of the cap now being used.

The roller (P/N CB923281), dowel pin (P/N CH200061), and spring washer (P/N CH198108) are available for service in Roller Replacement Kit CB923281SR.

To replace the release plunger or release body, order a complete assembly (P/N DA5290900SR1).

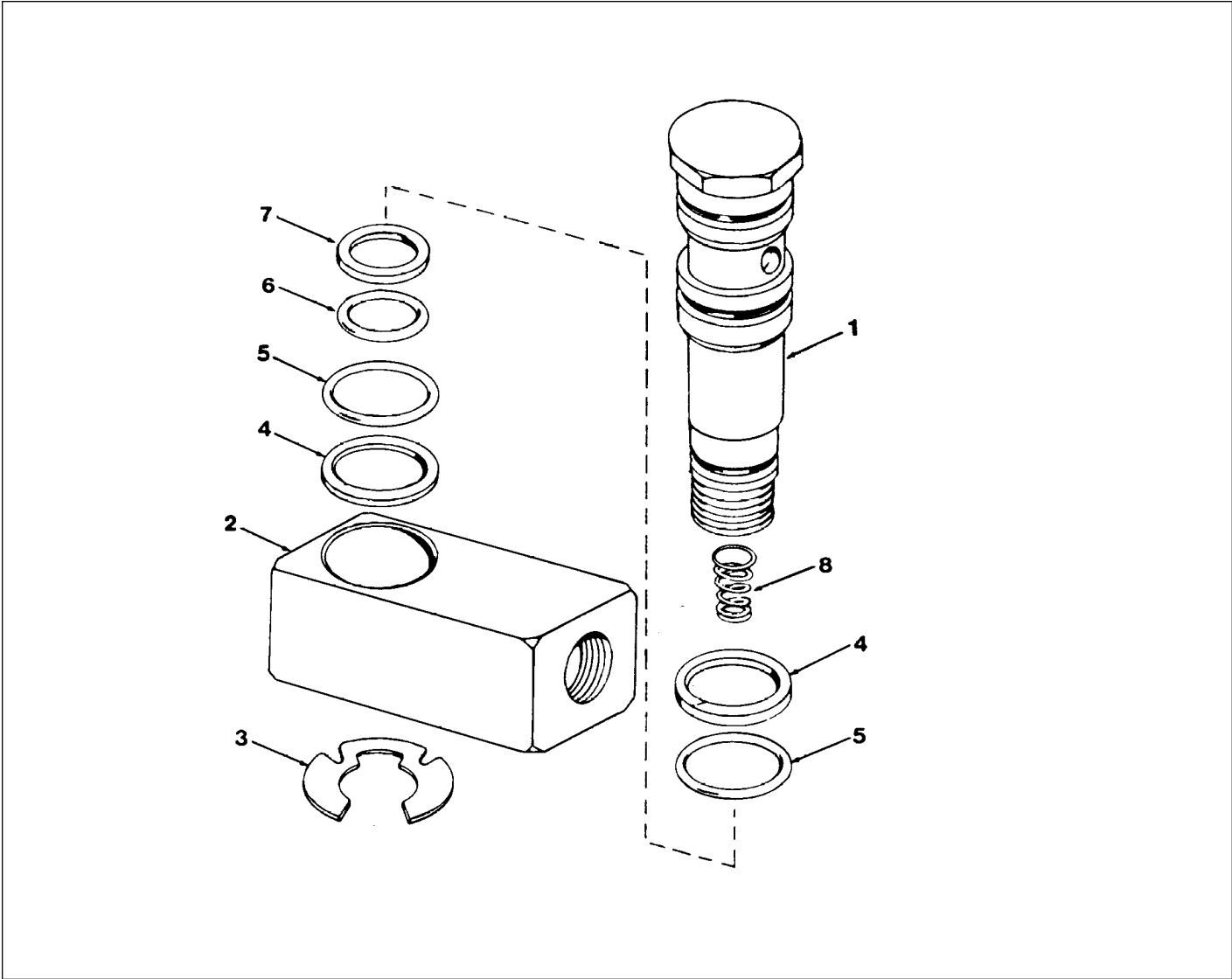
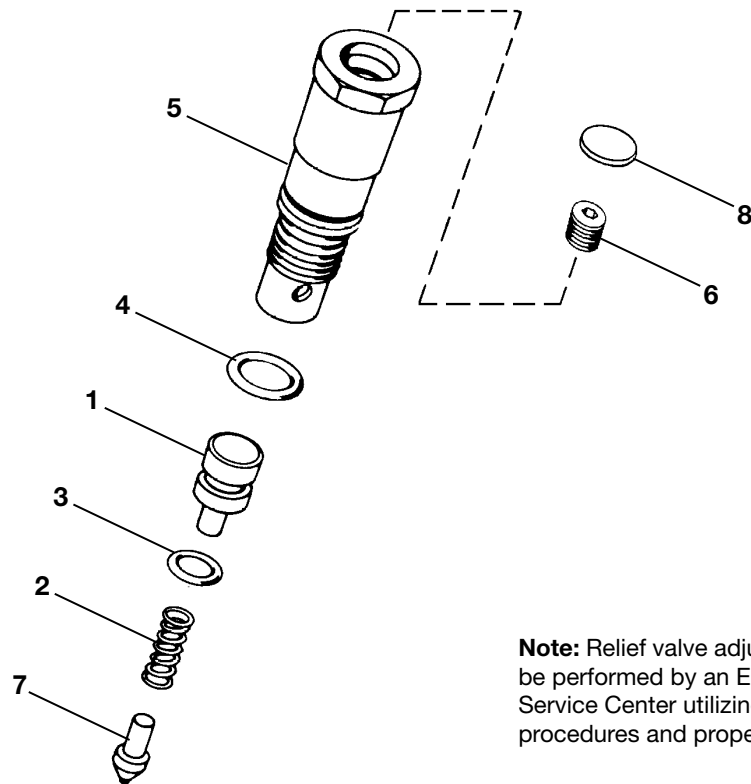


Figure 3, Swivel Coupler Assembly

Repair Parts List (Refer to Figure 3)			
Item	Part Number	Qty.	Description
1	CJ205416	1	Coupler Stem
2	CJ204190	1	Coupler Body
3	* CF874044	1	Retaining Ring
4	* B1017565	2	Back-Up Washer
5	* B1017903	2	O-Ring
6	* B1220503	1	O-Ring
7	* B1014565	1	Back-Up Washer
8	* CA978110	1	Spring
* Items included in and available only as part of Swivel Coupler Kit CF692950K1.			
Notes:			
The Swivel Coupler Kit CF692950K1 also contains items 12, 15 and 18 from the Pump Assembly (see Figure 1).			
The Pump Repair Kit PA1150K3 includes one (1) complete Swivel Coupler Kit CF692950K1.			



Note: Relief valve adjustments should only be performed by an Enerpac Authorized Service Center utilizing prescribed procedures and proper test equipment.

Figure 4, Relief Valve Assembly

Repair Parts List (Refer to Figure 4)			
Item	Part Number	Qty.	Description
1	A8005007	1	Plug
2	✦A8038110	1	Spring
3	✦B1003503	1	O-Ring
4	✦B1220503	1	O-Ring
5	CH202950SR	1	Relief Valve Assembly
6	L86028	1	Set Screw
7	CH180950W	1	Ball Guide Assembly
8	✦B161272	1	Plug
✦ Items included in and available only as part of Relief Valve Repair Kit CH202950K.			
Notes:			
The Relief Valve Repair Kit CH202950K also contains items 15 and 30 from the Pump Assembly (see Figure 1).			
The Relief Valve Repair Kit CH202950K contains two sizes of spring (item 2). Use the spring from the kit that matches the old spring removed from the relief valve assembly.			
The Pump Repair Kit PA1150K3 includes one (1) complete Relief Valve Repair Kit CH202950K.			

NOTES:

A large rectangular box with a thin black border, containing 20 horizontal lines spaced evenly down the page. This box is designed for students to write their notes.

Enerpac Worldwide Locations

◆ e-mail: info@enerpac.com

◆ internet: www.enerpac.com

Africa

ENERPAC Middle East FZE
Office 423, JAFZA 15
P.O. Box 18004
Jebel Ali, Dubai
United Arab Emirates
Tel: +971 (0)4 8872686
Fax: +971 (0)4 8872687

Australia, New Zealand Actuant Australia Ltd.

Block V Unit 3
Regents Park Estate
391 Park Road
Regents Park NSW 2143
(P.O. Box 261) Australia
Tel: +61 297 438 988
Fax: +61 297 438 648

Brazil

Power Packer do Brasil Ltda.
Rua dos Inocentes, 587
04764-050 - Sao Paulo (SP)
Tel: +55 11 5687 2211
Fax: +55 11 5686 5583
Toll Free in Brazil:
Tel: 0800 891 5770
vendasbrasil@enerpac.com

Canada

Actuant Canada Corporation
6615 Ordan Drive, Unit 14-15
Mississauga, Ontario L5T 1X2
Tel: +1 905 564 5749
Fax: +1 905 564 0305
Toll Free:
Tel: +1 800 268 4987
Fax: +1 800 461 2456
Technical Inquiries:
techservices@enerpac.com

China

Actuant Industries Co. Ltd.
No. 6 Nanjing Road
Taicang Economic Dep Zone
Jiangsu, China
Tel: +86 0512 5328 7529
+86 0512 5328 7500 7529
Fax: +86 0512 5335 9690

Actuant China Ltd. (Peking)

709B Diyang Building
Xin No. 2
Dong San Huan North Rd.
Beijing City
100028 China
Tel: +86 10 845 36166
Fax: +86 10 845 36220

France, Switzerland francophone

ACTUANT - ENERPAC
France S.A., ZA de Courtaboeuf
32, avenue de la Baltique
91140 Villebon / Yvette
France
Tel: +33 1 60 13 68 68
Fax: +33 1 69 20 37 50

Germany, Austria, Switzerland, Greece, Baltic States, Central and Eastern Europe

ENERPAC GmbH
P.O. Box 300113
D-40401 Düsseldorf
Willstätterstrasse 13
D-40549 Düsseldorf
Germany
Tel: +49 211 471 490
Fax: +49 211 471 49 28

India

ENERPAC Hydraulics
(India) Pvt. Ltd.
No. 1A,
Peenya Industrial Area,
IInd Phase
Bangalore, 560 058 India
Tel: +91 80 40 792 777
Fax: +91 80 40 792 792

Italy

ENERPAC S.p.A.
Via Canova 4
20094 Corsico (Milano)
Tel: +39 02 4861 111
Fax: +39 02 4860 1288

Japan

Applied Power Japan LTD KK
Besshochou 85-7
Kita-ku,
Saitama-shi 331-0821
Japan
Tel: +81 48 662 4911
Fax: +81 48 662 4955

Middle East, Turkey and Caspian Sea

ENERPAC Middle East FZE
Office 423, JAFZA 15
P.O. Box 18004
Jebel Ali, Dubai
United Arab Emirates
Tel: +971 (0)4 8872686
Fax: +971 (0)4 8872687

Russia and CIS (excl. Caspian Sea Countries)

Actuant LLC
Admiral Makarov Street 8
125212 Moscow, Russia
Tel: +7-495-9809091
Fax: +7-495-9809092

Sweden, Denmark, Norway, Finland and Iceland

ENERPAC Scandinavia AB
Fabriksgatan 7
412 50 Gothenburg
Sweden
Tel: +46 31 7990281
Fax: +46 31 7990010
scandinavianinquiries@enerpac.com

Singapore

Actuant Asia Pte. Ltd.
37C, Benoi Road Pioneer Lot,
Singapore 627796
Tel: +65 68 63 0611
Fax: +65 64 84 5669
Toll Free: +1800 363 7722
Technical Inquiries:
tech.service-sg@enerpac.com

South Korea

Actuant Korea Ltd.
3Ba 717,
Shihwa Industrial Complex
Jungwang-Dong, Shihung-Shi,
Kyunggi-Do
Republic of Korea 429-450
Tel: +82 31 434 4506
Fax: +82 31 434 4507

Spain and Portugal

ENERPAC SPAIN, S.L.
Avda. Los Frailes, 40 - Nave C
& D
Pol. Ind. Los Frailes
28814 DAGANZO DE ARRIBA
(Madrid)
Spain
Tel: +34 91 884 86 06
Fax: +34 91 884 86 11

Sweden, Denmark, Norway, Finland and Iceland

Enerpac Scandinavia AB
Fabriksgatan 7
412 50 Gothenburg
Sweden
Tel: +46 (0) 31 7990281
Fax: +46 (0) 31 7990010
Inquiries:
Scandinavianinquiries@enerpac.com

The Netherlands, Belgium, Luxembourg

ENERPAC B.V.
Galvanistraat 115, 6716 AE Ede
P.O. Box 8097, 6710 AB Ede
The Netherlands
Tel: +31 318 535 800
Fax: +31 318 525 613
+31 318 535 848
beneluxinquiries@enerpac.com
Technical Inquiries Europe:
techsupport.europe@enerpac.com

United Kingdom, Ireland Enerpac Ltd

Bentley Road South
Darlaston, West Midlands
WS10 8LQ, United Kingdom
Tel: +44 (0)121 50 50 787
Fax: +44 (0)121 50 50 799

USA, Latin America and Caribbean

ENERPAC
P.O. Box 3241
6100 N. Baker Road
Milwaukee, WI 53209 USA
Tel: +1 262 781 6600
Fax: +1 262 783 9562

User inquiries:
+1 800 433 2766
Inquiries/orders:
+1 800 558 0530
Technical Inquiries:
techservices@enerpac.com

ENERPAC

704 W. Simonds
Dallas, TX 75159 USA
Tel: +1 972 287 2390
Fax: +1 972 287 4469

09/30/09

All Enerpac products are guaranteed against defects in workmanship and materials for as long as you own them. For your nearest authorized Enerpac Service Center, visit us at www.enerpac.com