

To Protect Your Warranty, Use Only ENERPAC Hydraulic Oil.

Enerpac recommends that all kit components be installed to insure optimum performance of the repaired product.

Note: This illustration is for reference only.
The appearance of your unit may differ from
the unit shown.

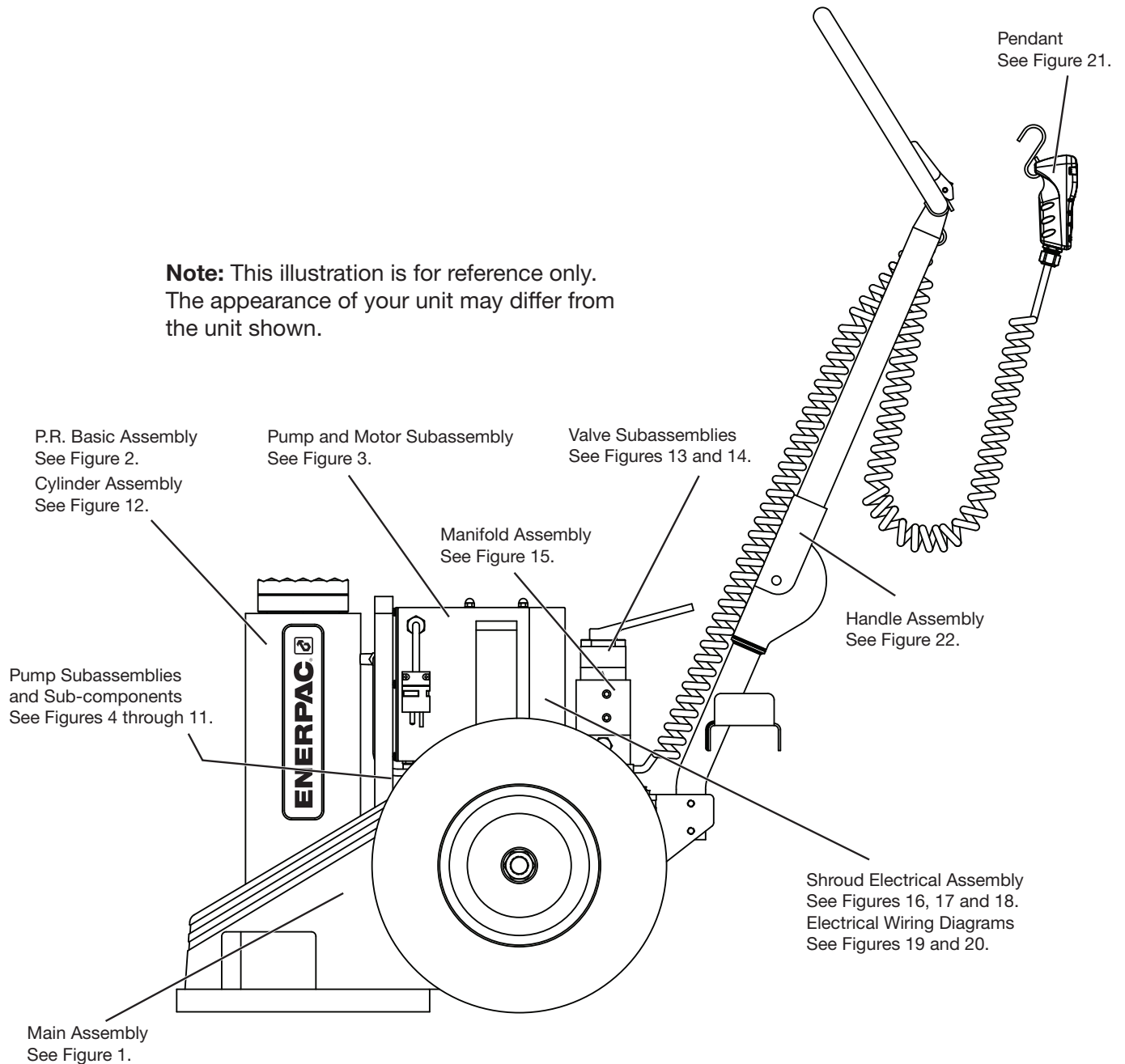
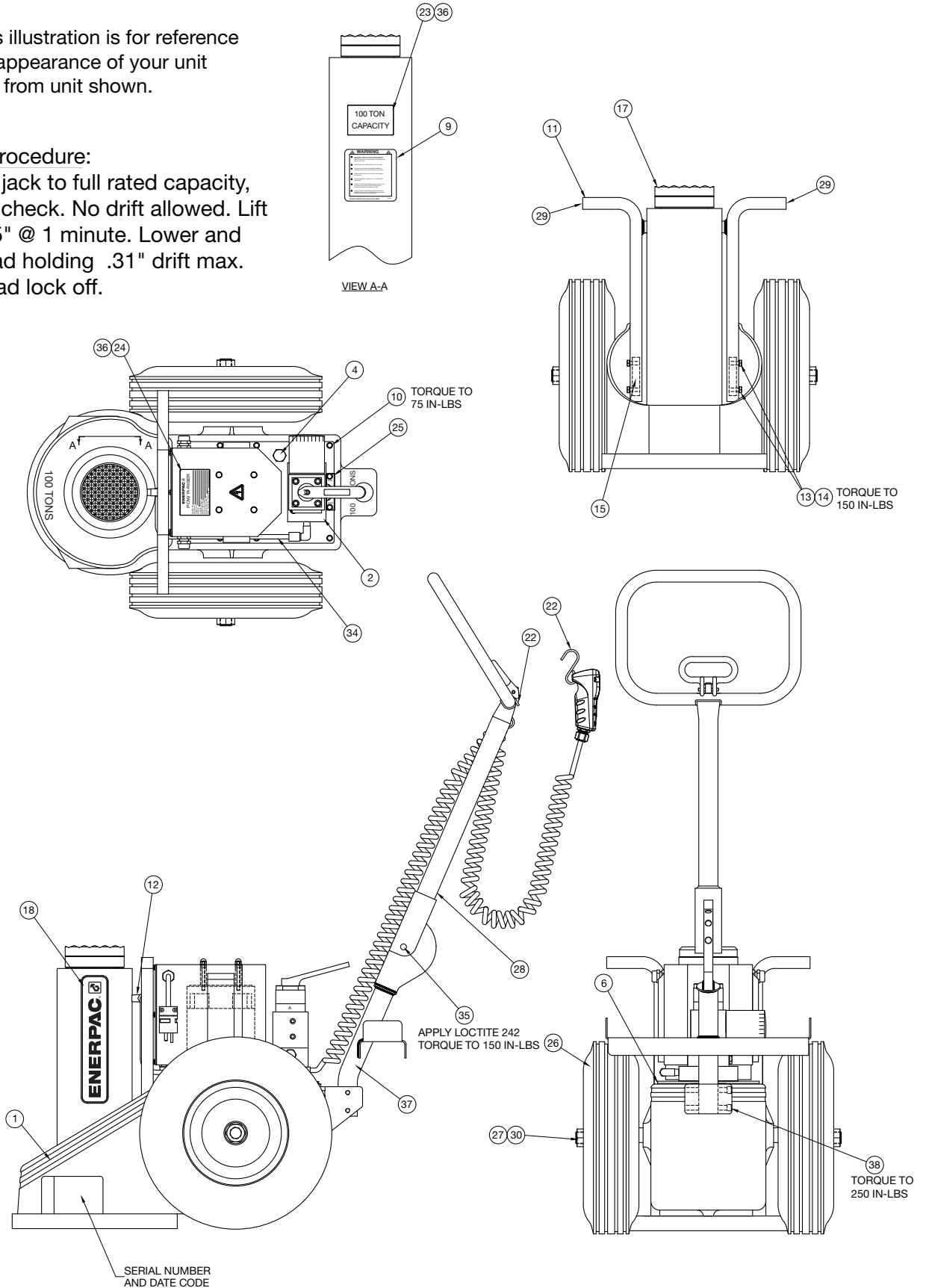


Figure 1 - Main Assembly

Note: This illustration is for reference only. The appearance of your unit may differ from unit shown.

Testing Procedure:

Load the jack to full rated capacity, hold and check. No drift allowed. Lift 2.50-1.75" @ 1 minute. Lower and check load holding .31" drift max. before load lock off.

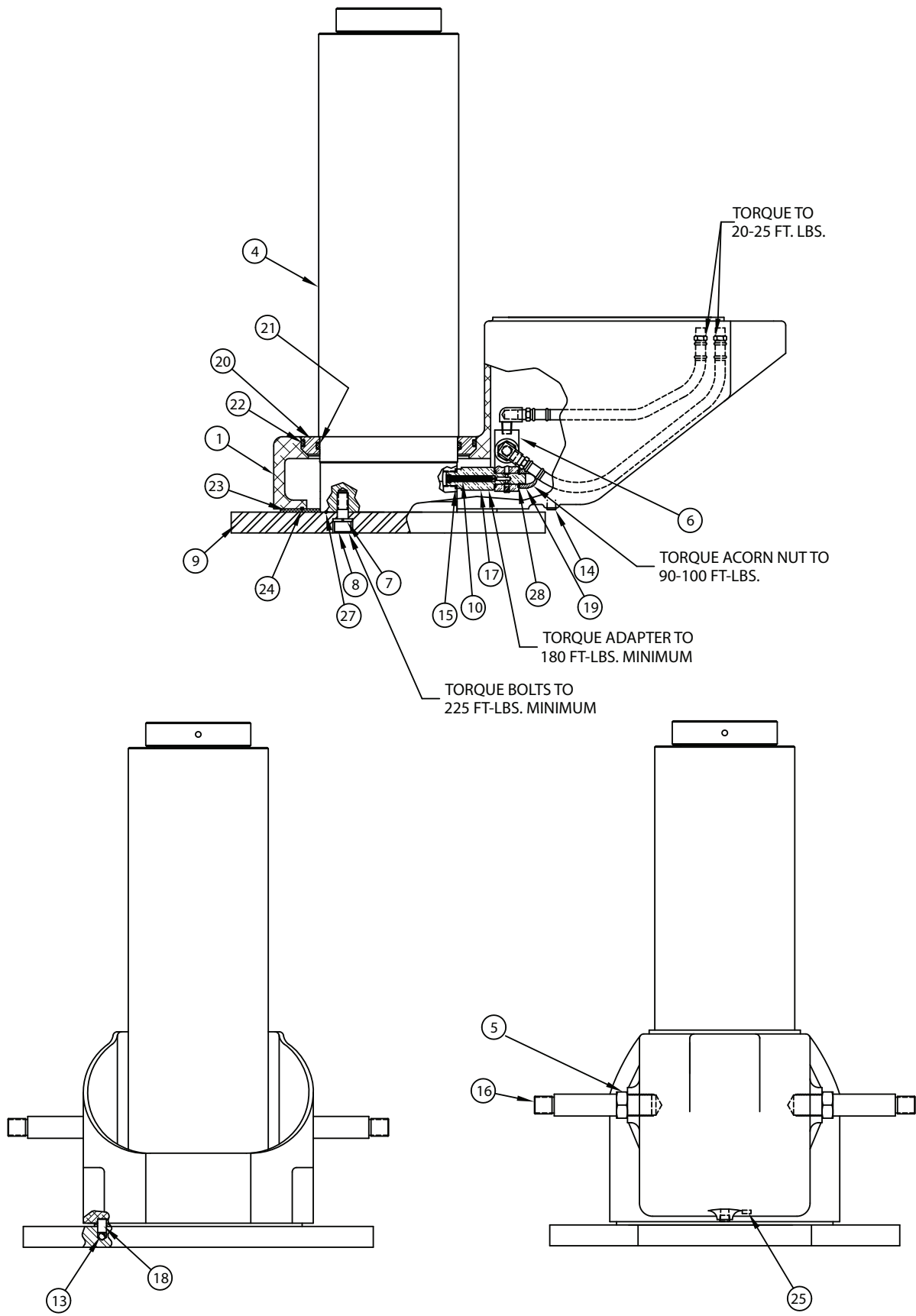


Repair Parts List (Refer to figure 1)

Item	Model						Qty.	Description
	PREMB10016L 115 Volt	PREMB10027L 115 Volt	PREMI10016L 230 Volt	PREMI10027L 230 Volt	PREME10016L 230 Volt	PREME10027L 230 Volt		
1	41939SR	42408SR	41939SR	42408SR	41939SR	42408SR	1	PR Basic Asm (See Fig 2)
2	DS1069900SR	DS1069900SR	DS1072900SR	DS1072900SR	DS1175900SR	DS1175900SR	1	Subassembly, Pump and Motor (see Figure 3)
4	88743E	88743E	88743E	88743E	88743E	88743E	1	Plug Hex O-Ring
6	85469E	85469E	85469E	85469E	85469E	85469E	1	Gasket
9	89292E	89292E	89292E	89292E	89292E	89292E	1	Decal, Warning PWR R
10	B2005046E	B2005046E	B2005046E	B2005046E	B2005046E	B2005046E	14	Screw 1/4-20 x 3/4" St
11	42358E	N/A	42358E	N/A	42358E	N/A	1	Lifting Bar 24" PR
12	40085E	40085E	40085E	40085E	40085E	40085E	1	Male Elbow 3/8-3/8"
13	42363E	N/A	42363E	N/A	42363E	N/A	4	HCS 5/16-18 x 1.25" Plt.
14	93942E	N/A	93942E	N/A	93942E	N/A	4	Lock Washer 5/16"
15	42365E	N/A	42365E	N/A	42365E	N/A	2	Nut Plt - Lift Bar
17	42208E	42208E	42208E	42208E	42208E	42208E	1	Load Cap PR Long Stm
18	89967E	89967E	89967E	89967E	89967E	89967E	1	Enerpac Logo - Large
22	42367E	42367E	42367E	42367E	42367E	42367E	2	S-Hook, Pendant
23	42531E	42531E	42531E	42531E	42531E	42531E	1	Label 100 Ton Capacity
24	42432E	42433E	45715E	45608E	DS1179026	DS1180026	1	Model Label
25	86027E	86027E	86027E	86027E	86027E	86027E	1	Control Valve Plate
26	41944E	41944E	41944E	41944E	41944E	41944E	2	Tire/Rim Assembly
27	41945E	41945E	41945E	41945E	41945E	41945E	2	Spacer
28	41961SR	41961SR	41961SR	41961SR	41961SR	41961SR	1	Handle Assembly
29	43021E	N/A	43021E	N/A	43021E	N/A	2	Square Hole Plug PR
30	46053E	46053E	46053E	46053E	46053E	46053E	2	1"-8 Hex Lock Nut
34	41979E	42412E	41979E	42412E	41979E	42412E	1	Tube
35	41983E	41983E	41983E	41983E	41983E	41983E	1	Screw Shoulder
36	46539E	46539E	46539E	46539E	46539E	46539E	1	Decal Overlay
37	41598E	41598E	41598E	41598E	41598E	41598E	1	Lower Weldment 4" PR
38	84692E	84692E	84692E	84692E	84692E	84692E	2	SHC 3/8-16 x 1.75"

N/A = Not Available.

Figure 2 - 41939SR, 42408SR Pow'r Riser Basic Assembly



Repair Parts List (Refer to figure 2)

Item	Model						Qty.	Description
	PREMB10016L 115 Volt	PREMB10027L 115 Volt	PREMI10016L 230 Volt	PREMI10027L 230 Volt	PREME10016L 230 Volt	PREME10027L 230 Volt		
BASIC ASSY	41939SR	42408SR	41939SR	42408SR	41939SR	42408SR		
1	41886E	41886E	41886E	41886E	41886E	41886E	1	Housing Mach P. R.
4	41917SR	42430SR	41917SR	42430SR	41917SR	42430SR	1	100 Ton Cylinder Assy.
5	85477E	85477E	85477E	85477E	85477E	85477E	2	Jam Nut
6	(See Fig. 11)						1	O.C. Valve and Hoses
7	93947E	93947E	93947E	93947E	93947E	93947E	6	Lock Washer 5/8"
8	93605E	93605E	93605E	93605E	93605E	93605E	6	SHCS 5/8-11 x 1.5" Lg.
9	41941E	41941E	41941E	41941E	41941E	41941E	1	100 Ton P.R. Base
10	89754E	89754E	89754E	89754E	89754E	89754E	1	Screen - 2" Nipple
13	44968E	44968E	44968E	44968E	44968E	44968E	2	Rubber Ball 3/8" 70
14	93950E	93950E	93950E	93950E	93950E	93950E	1	1/4" Soc Pipe Plug
15	◆	◆	◆	◆	◆	◆	1	Gasket Adapter
16	41948E	41948E	41948E	41948E	41948E	41948E	2	Axle Shaft
17	41942E	41942E	41942E	41942E	41942E	41942E	1	Adapter O.C. Valve
18	42275E	42275E	42275E	42275E	42275E	42275E	2	PR Base Pin
19	46740E	46740E	46740E	46740E	46740E	46740E	1	Acorn Nut 5/8-11
20	41940E	41940E	41940E	41940E	41940E	41940E	1	Ring 100 Ton
21	◆	◆	◆	◆	◆	◆	1	O-Ring 6-3/4 x 7-1/4"
22	◆	◆	◆	◆	◆	◆	1	O-Ring 9" x 9-1/2"
23	◆	◆	◆	◆	◆	◆	1	Gasket Base
24	◆	◆	◆	◆	◆	◆	1	O-Ring Power Riser
25	66021E	66021E	66021E	66021E	66021E	66021E	1	Magnet
27	◆	◆	◆	◆	◆	◆	1	O-Ring 6" x 6-1/4"
28	68183E	68183E	68183E	68183E	68183E	68183E	2	Gasket Plug

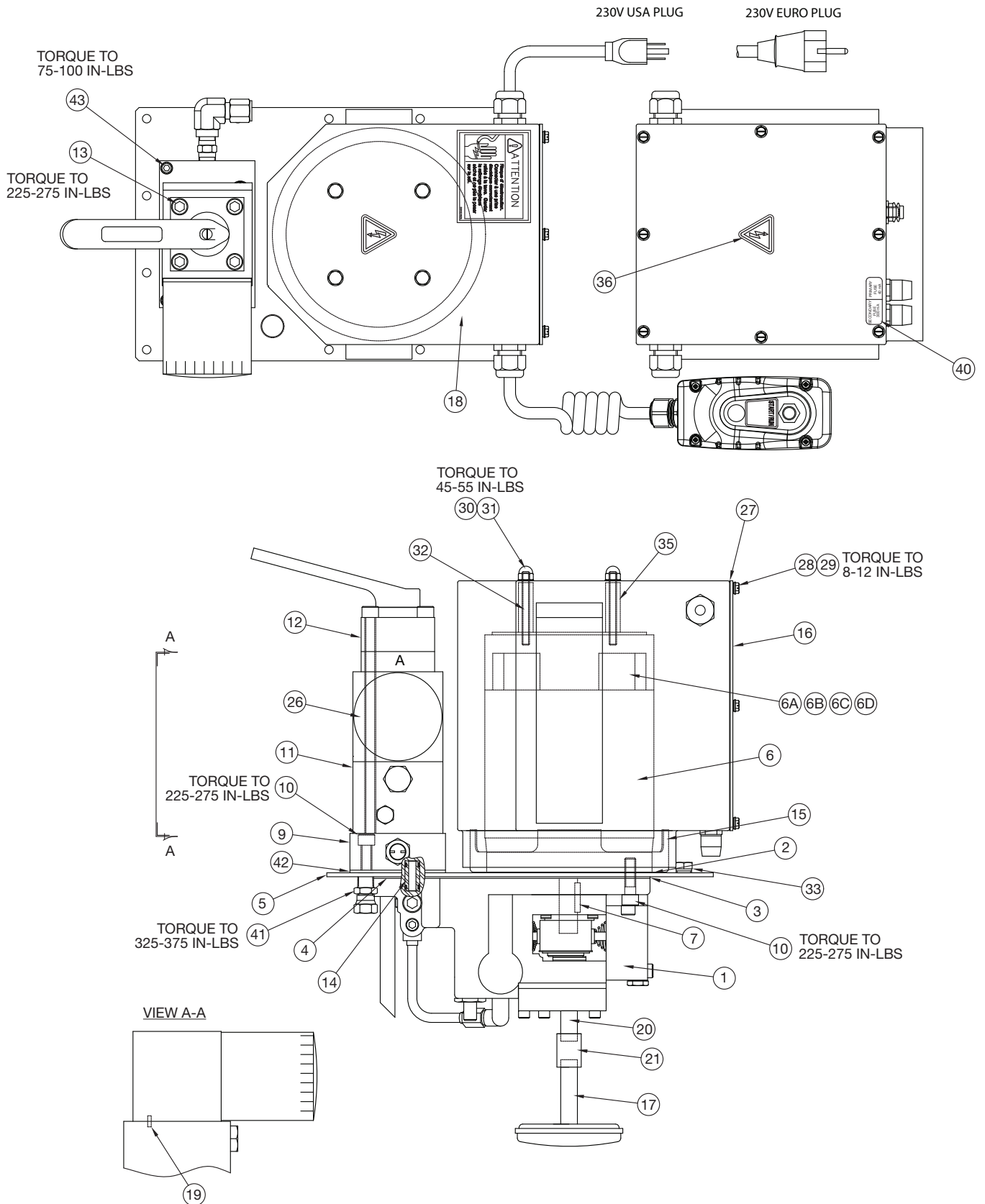
◆ Included in 54411K Repair Kit.

Figure 3 - Pump and Motor Sub-Assembly

DS1068900SR (115 VAC - See Fig. 16A for electrical parts list. See Fig. 19 for wiring diagram.)

DS1071900SR (230 VAC - See Fig. 17A for electrical parts list. See Fig. 20 for wiring diagram.)

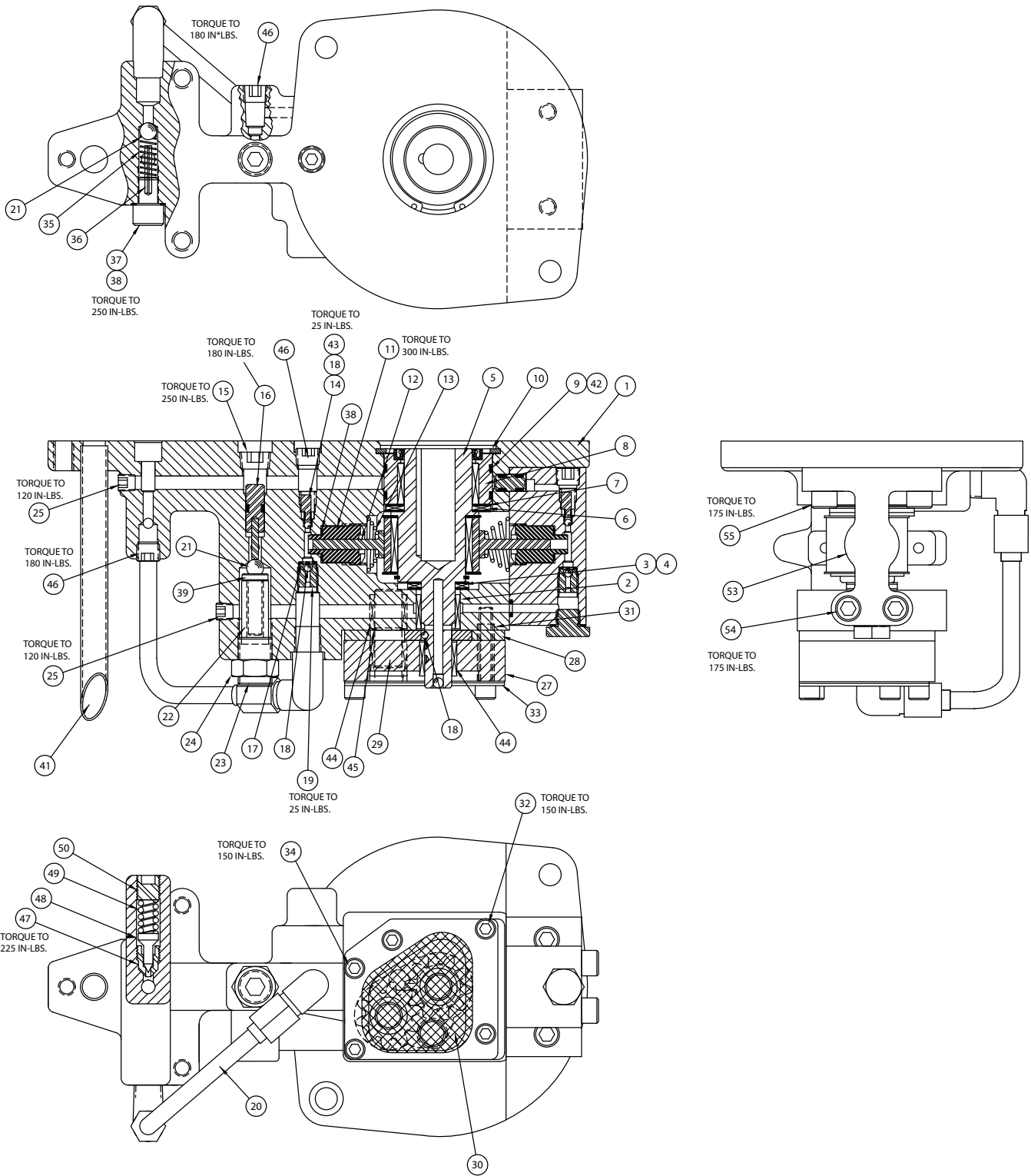
DS1174900SR (230 VAC European - See Fig. 18A for electrical parts list. See Fig. 20 for wiring diagram.)



Repair Parts List (Refer to figure 3)					
Item	Part Number			Qty.	Description
	Pump and Motor Assy. DS1069900SR (115 VAC)	Pump and Motor Assy. DS1072900SR (230 VAC)	Pump and Motor Assy. DS1175900SR (230 VAC European)		
1	(See Fig. 4)			1	Pump Asm 2P 1.5 HP.
2	★ 66012E	★ 66012E	★ 66012E	1	Gasket-Motor
3	★ 68231E	★ 68231E	★ 68231E	1	Gasket-Pump @ Motor
4	★ 68551E	★ 68551E	★ 68551E	1	Gasket-Pump @ Valve
5	DD6038101E	DD6038101E	DD6038101E	1	Reservoir Cover Plate
6	68376E	---	---	1	Electric Motor, 1.5 HP 115V
	---	68403E	68403E	1	Electric Motor, 1.5 HP 230V
6A	◆ 55028E	---	---	1	Brush Kit, 115V
6B	---	* 55029E	* 55029E	1	Brush Kit, 230V
6C	▲ 55056E	---	---	1	Brush Ring Kit, 115V
6D	---	❖ 55030E	❖ 55030E	1	Brush Ring Kit, 230V
7	69026E	69026E	69026E	1	Pin Dowel 3/16-1
9	(See Fig. 15)			1	Manifold Asm NPR
10	86184E	86184E	86184E	5	SHCS 3/8-16 x 1-1/2"
11	(See Fig. 14)			1	Locking Valve w/relief
12	(See Fig. 13)			1	Control Valve Asm.
13	42383E	42383E	42383E	4	SHCS 3/8-16 x 8.0"
14	(See Fig. 10)			1	Adapter Assy.
15	DS1055398E	DS1055398E	DS1055398E	1	Air Baffle
16	DS1056098E	DS1056098E	DS1056098E	1	Cover, Shroud
17	68884E	68884E	68884E	1	Screen
18	(See Fig. 16)	(See Fig. 17)	(See Fig. 18)	1	Shroud Electrical Assembly
19	561604E	561604E	561604E	1	Roll Pin 1/8 x 3/8" Lg.
20	69442E	69442E	69442E	1	Nipple 1/4 NPT x 3"
21	80241E	80241E	80241E	1	Pipe Coupling 1/4"
26	(See Fig. 9)			1	Filter Block Asm
27	DS1057037E	DS1057037E	DS1057037E	1	Gasket, Shroud Cover
28	DS1135042E	DS1135042E	DS1135042E	8	HHCS 10-32 x 3/8" Lg.
29	DS1136108E	DS1136108E	DS1136108E	8	Washer, Sealing
30	42336E	42336E	42336E	4	Nut, Acorn
31	65892E	65892E	65892E	4	Washer, Sealing
32	DS1137305E	---	---	4	Stud, 1/4-20 x 2.75" Lg.
	---	DS1138305E	DS1138305E	4	Stud, 1/4-20 x 1.50" Lg.
33	69264E	69264E	69264E	1	Breather Vent
34	65888E	65888E	65888E	2	Push-On Terminal
35	DS1139186E	---	---	4	Spacer, 1.69" Lg.
	---	44620E	44620E	4	Spacer, 0.38" Lg.
36	DC9922026E	DC9922026E	DC9922026E	1	Decal, High Voltage
40	DD4338026E	DD4338026E	DD4338026E	1	Decal, Transformer Fuses
41	41964E	41964E	41964E	2	Swivel Fitting
42	DD6106037E	DD6106037E	DD6106037E	1	Valve Gasket
43	B1013028X	B1013028X	B1013028X	2	SHCS, 1/4-20 x 1.25" Lg

- ★ Included in 54177K Repair Kit.
- ◆ Includes 4 brushes (68757) and 4 springs (68758).
- * Includes 2 brushes (68757) and 2 springs (68758).
- ▲ Includes 4 brushes (68757) and 1 brush ring (45306).
- ❖ Includes 2 brushes (68757) and 1 brush ring (68761).

Figure 4 - 18852SR Pump Assembly

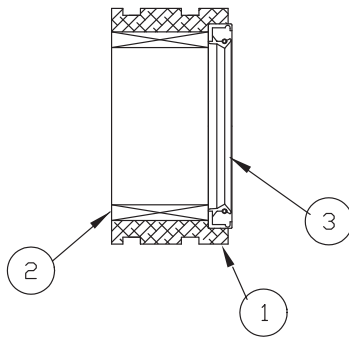


Repair Parts List (Refer to figure 4)

Item	Part Number	Qty.	Description	Item	Part Number	Qty.	Description
1	43769E	1	Pump Body 2 Piston	27	68849E	1	Plate-Bottom
2	68360E	1	Bearing, Roller	28	68848E	1	Gear Set
3	66033E	1	Thrust Bearing	29	68850E	1	Shaft-Idler
4	66474E	2	Thrust Washer	30	★ 68921E	1	Screen
5	(See Fig. 7)	1	Eccentric Shaft Assembly	31	68894E	2	Tube-Guide .11
6	66106E	1	Thrust Bearing	32	68255E	4	SHCS 1/4-28 x 1-3/4"
7	66108E	2	Thrust Washer	33	68927E	1	Plate-Screen Mtg.
8	(See Fig. 5)	1	Adapter-Shaft Asm.	34	89148E	1	SHCS 1/4-28 x 1-1/2"
9	★ 56020322E	2	O-Ring 1-7/8 x 2" Ure	35	68225E	1	Spring
10	68978E	1	Retaining Ring	36	81332E	1	Roll Pin 1/8 x 15/16"
11	68945E	1	Adaptor .225 Dia.	37	68226E	1	Screw, Ball Stop
12	67868E	1	Piston .225 Dia.	38	85726E	2	Gasket 25/64 x 19/32"
13	68340E	1	Spring, Piston	39	43673E	1	Spring Cap Unload Valve
14	68810E	1	Ball Stop	41	68569E	1	Tube Return
15	93950E	1	1/4" Soc Pipe Plug	42	★ 69513E	2	Shaft Adp Backup Was.
16	(See Fig. 6)	1	Unloading Piston Assy	43	66042E	1	Spring
17	66043E	1	Ball Retainer	44	68891E	3	Bearing
18	90906E	5	Ball 1/8"	45	68892E	1	Ring-Retaining
19	66046E	1	Intake Seat	46	81093E	3	Pipe Plug 1/8" Flush
20	68851SR	1	Tube Asm	47	▲ 68004E	1	Seat - Ext Relief
21	91701E	2	Ball 5/16"	48	▲ 68003E	1	Cone - Ext Relief
22	43671E	1	Unloading Spring	49	▲ 66085E	1	Spring - Relief Valve
23	43674E	1	Set Screw Unloading Valve	50	66083E	1	Relief Valve Adj. Screw
24	43675E	1	Hex Nut Unloading Valve	53	(See Fig. 8)	1	Piston Blk .225
25	97641E	2	1/16" Soc Pipe Plug	54	69392E	2	SHCS 5/16-24 x 1.75"
27	68849E	1	Plate-Bottom	55	82687E	2	SHCS 5/16-24 x 5/8"

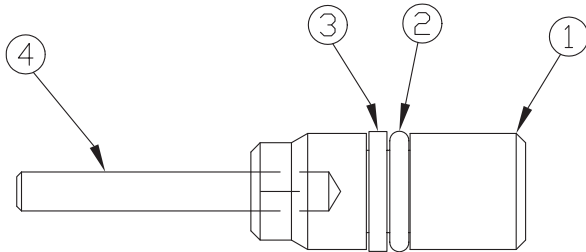
★ Included in 54177K Repair Kit. ▲ Included in 55057K Relief Kit.

Figure 5 - 68829SR Adapt-Shaft Assembly



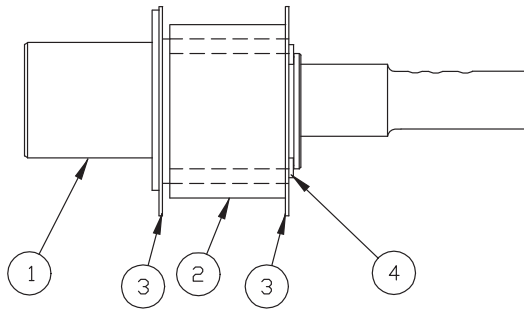
Repair Parts List (Refer to figure 5)			
Item	Part Number	Qty.	Description
1	68912E	1	Adapter Shaft
2	66030E	1	Bearing
3	★ 68901E	1	Seal
★Included in Repair Kit 54177K.			

Figure 6 - 43766SR Unloading Piston Assembly



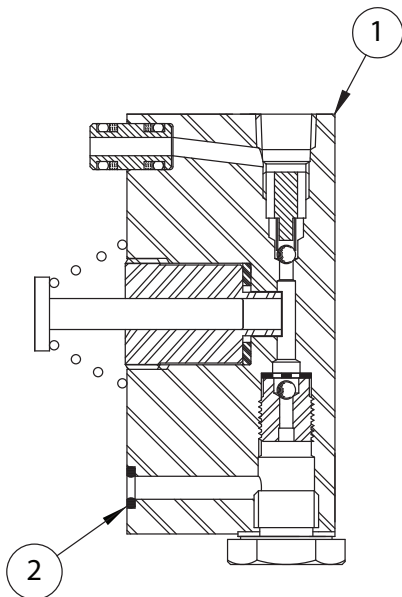
Repair Parts List (Refer to figure 6)			
Item	Part Number	Qty.	Description
1	43765E	1	Unload Piston
2	5602009E	1	O-Ring
3	43768E	1	Back-Up Washer
4	43686E	1	Roll Pin

Figure 7 - 69082SR Eccentric Shaft Assembly



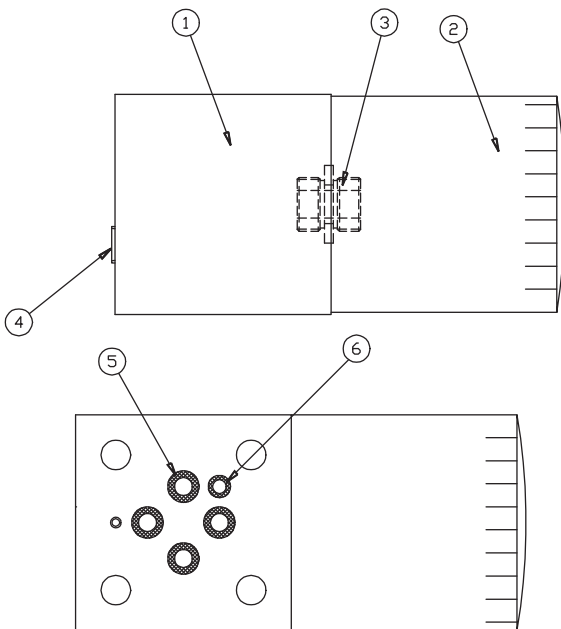
Repair Parts List (Refer to figure 7)			
Item	Part Number	Qty.	Description
1	68859E	1	Eccentric Shaft
2	69081SR	1	Bearing
3	69475E	2	Bearing Washer
4	67863E	1	Retaining Ring
5	90548E	1	Ball

Figure 8 - 68502SR Piston Block Assembly



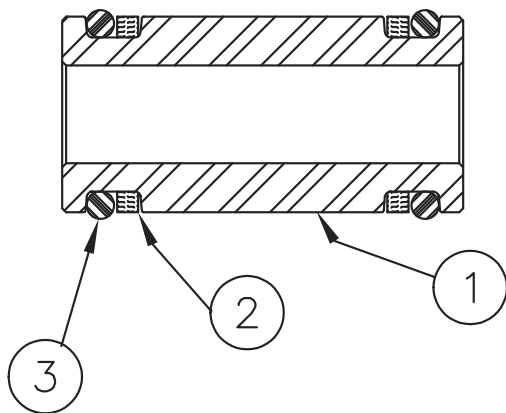
Repair Parts List (Refer to figure 8)			
Item	Part Number	Qty.	Description
1	68502SR	1	Piston Block Assembly (Includes item 2)
2	★ 5602008E	1	O-Ring 3/16 x 5/16"
★ Included in Repair Kit 54177K.			
Note: Piston block components are shown in Fig. 8 for reference only. Order complete 68898SR piston block assembly if replacement is required. Piston block assembly is not repairable.			

Figure 9 - 69740USR Filter Block Assembly



Repair Parts List (Refer to figure 9)			
Item	Part Number	Qty.	Description
1	69546E	1	Filter Block
2	69670E	1	Oil Filter Power Pump
3	69144E	1	Adapter Filter
4	93950E	2	1/4" Soc Pipe Plug
5	56020112E	4	O-Ring 5/16 x 7/16" URE
6	5602008E	1	O-Ring 3/16 x 5/16"

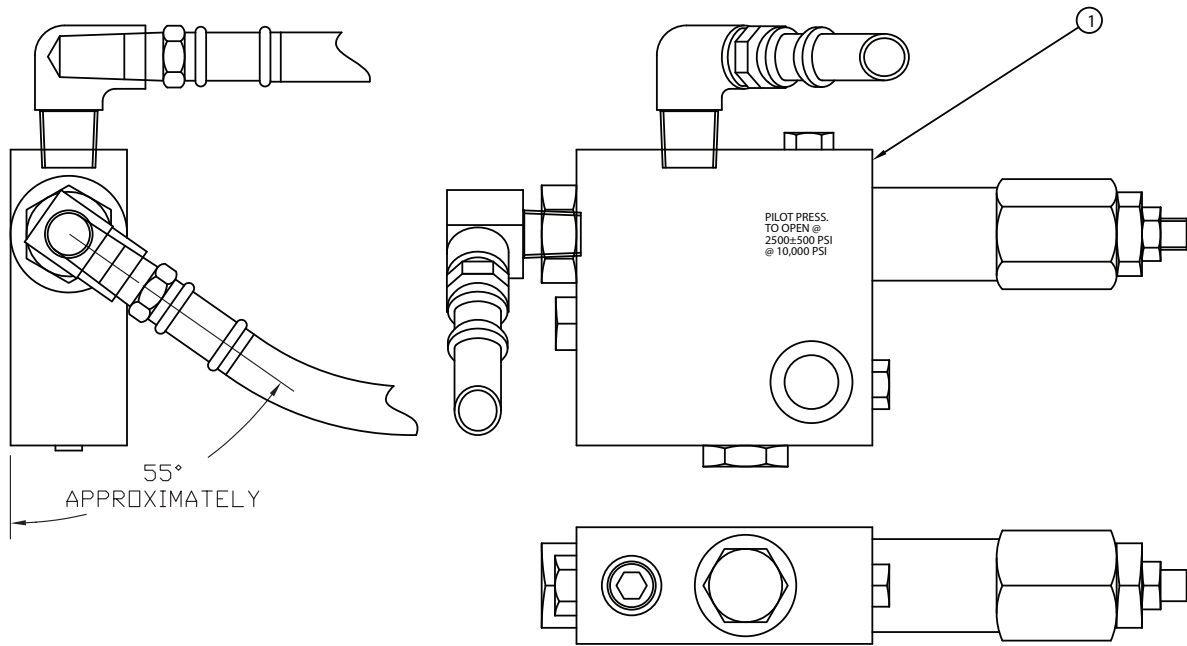
Figure 10 - 68963SR Adapter Assembly



Repair Parts List (Refer to figure 10)			
Item	Part Number	Qty.	Description
1	88073E	1	Valve Adapter
2	★ 65881E	2	B-U Ring
3	5602012E	2	O-ring 3/8 x 1/2"

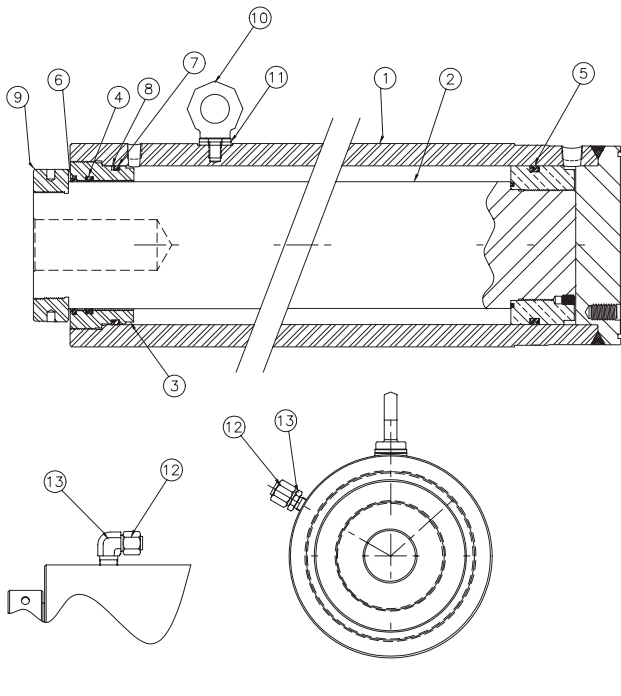
★Included in Repair Kit 54177K.

Figure 11 - 42353SR Over-Center Valve Subassembly



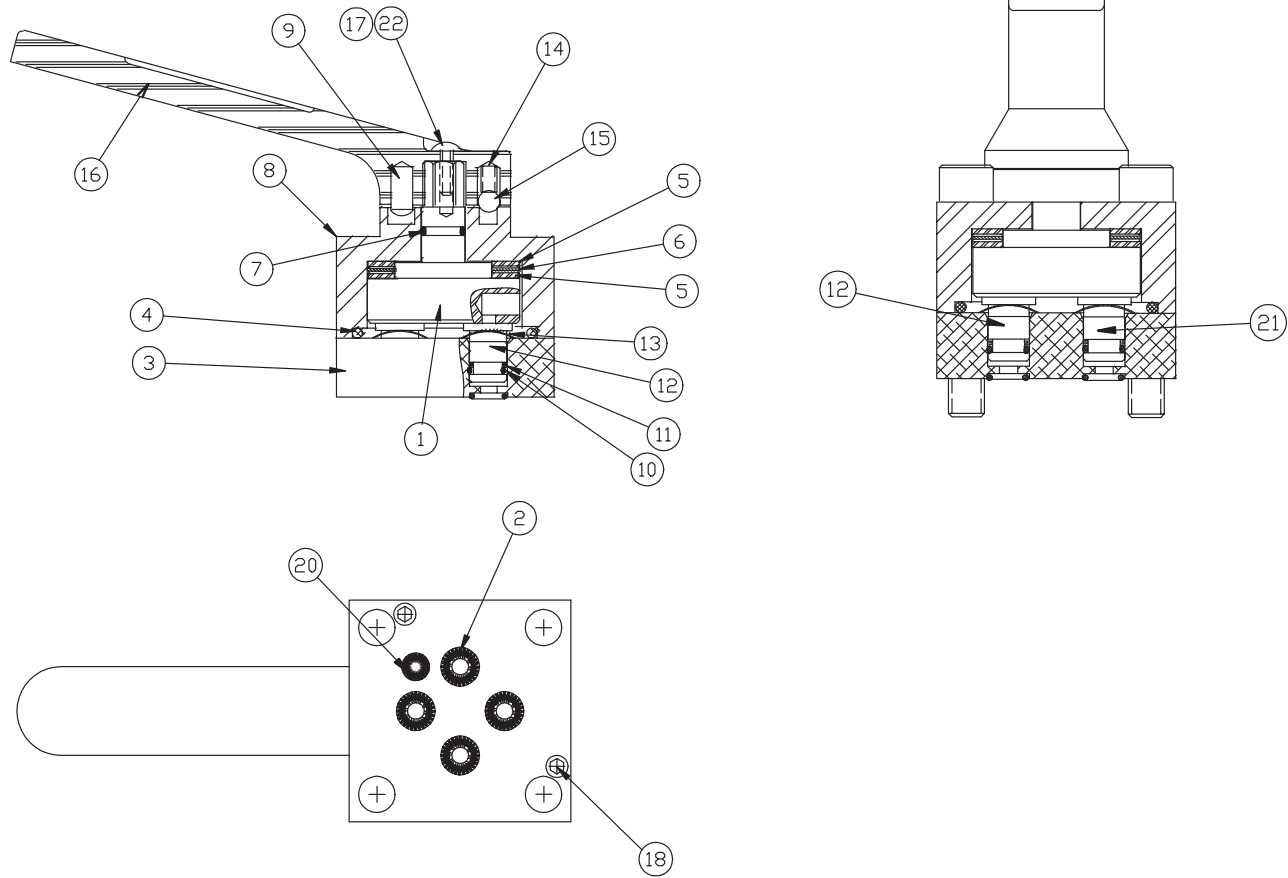
Repair Parts List (Refer to figure 11)			
Item	Part Number	Qty.	Description
1	42353SR	1	Valve, Over-Center
<p>Note: Item 1 includes OC valve subassembly, elbows and hydraulic hoses. Items not sold separately. Order complete 42353SR OC valve assembly if replacement is required. Valve is not repairable.</p>			

Figure 12 - 41917SR, 42430SR Cylinder Assembly



Repair Parts List (Refer to figure 12)				
Model	PREM_10016L (all versions)	PREM_10027L (all versions)		
Item	Asm. 41917SR	Asm. 42430SR	Qty.	Description
1	41918E	42429E	1	Cylinder Weldment
2	41921SR	42427SR	1	Piston Rod Asm.
3	41924E	41924E	1	100 Ton Head Gland
4	*	*	1	T-Seal Rod 4" Dia
5	*	*	1	T-Seal Piston 5-1/4"
6	*	*	1	Wiper 4" Rod Dia
7	*	*	1	O-Ring 5" x 5-1/4"
8	*	*	1	B-U Washer
9	41925E	41925E	1	Ring
10	N/A	43308E	1	Swivel Eye Bolt 1/2"
11	N/A	44888E	1	Washer Eyebolt
12	45664E	45664E	1	O-Ring Face Seal Plug
13	44865E	45666E	1	O-Ring Ftg, 3/8" NPT
* Included in 54401K Repair Kit. N/A = Not Available.				

Figure 13 - 69101SR 4-Way Manual Valve Subassembly



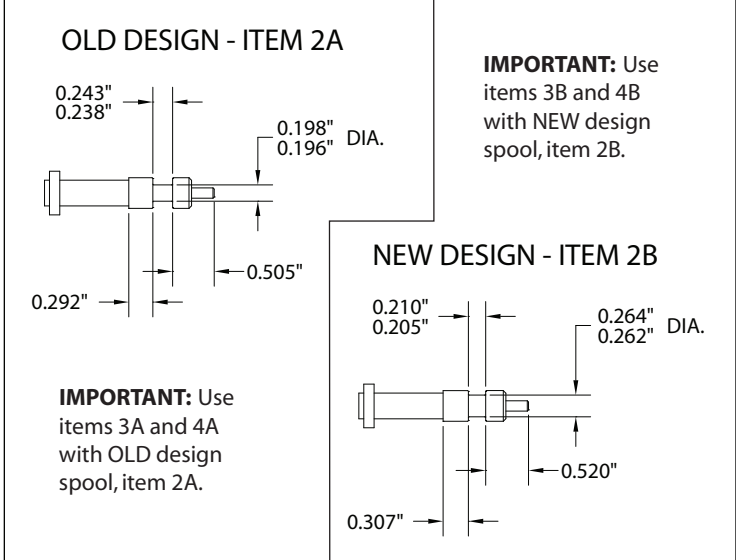
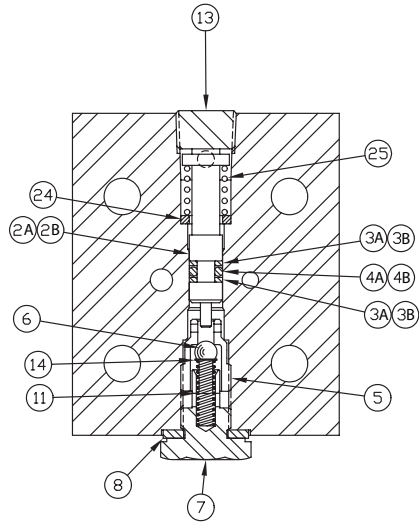
Repair Parts List (Refer to figure 13)

Item	Part Number	Qty.	Description	Item	Part Number	Qty.	Description
1	43762E	1	Valve Rotor	12	68029E	1	Shear Seal
2	* 56020112E	4	O-Ring	13	68028E	3	Spring Washer
3	68180E	1	Subplate - Valve	14	68025E	1	Detent Spring
4	* 5602225E	1	O-Ring	15	92549E	1	Ball
5	68026E	2	Thrust Washer	16	69091E	1	Valve Handle
6	68155E	1	Thrust Bearing	17	44595E	1	Screw
7	* 5602012E	1	O-Ring	18	85317E	2	Screw
8	69135E	1	Upper Valve Block	N/S	93598E	4	Screw
9	93804E	1	Drive Lok Pin	20	5602008E	1	O-Ring
10	* 5602011E	3	O-Ring	21	68181E	2	Shear Seal
11	* 65882E	3	Washer	22	Y0010765E	1	Lockwasher

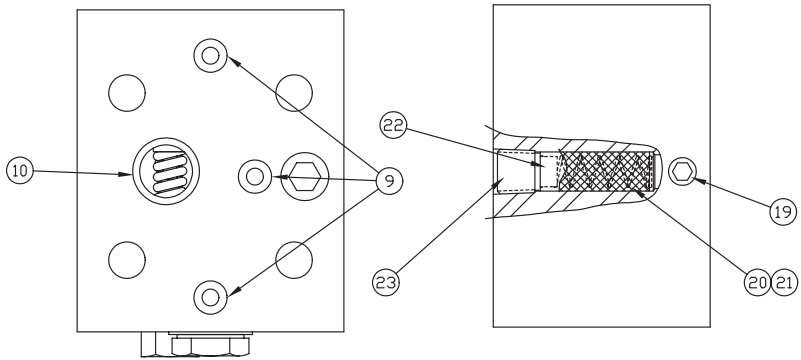
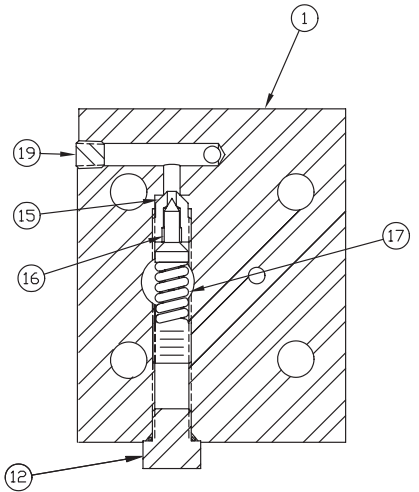
N/S = Not Shown. * Included in Valve Kit 54490K.

Figure 14 - 42480SR Locking Valve Subassembly (with relief)

SPOOL AND SEAL REPLACEMENT INFORMATION



Note: Old design spool (2A) must be replaced with new design spool (2B) if it is worn or damaged. Old design spool (2A) is no longer available.

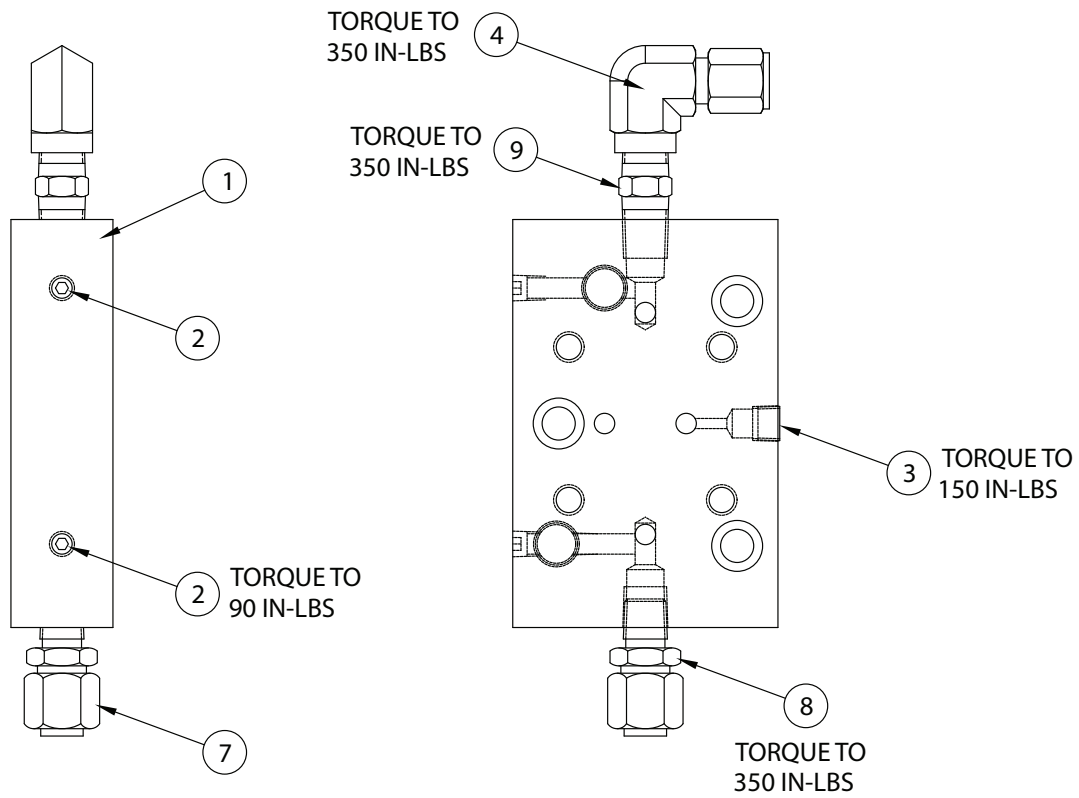


Repair Parts List (Refer to figure 14)

Item	Part Number	Qty.	Description	Item	Part Number	Qty.	Description
1	42307E	1	Locking Valve Body - Relief	12	68258E	1	Plug SAE #4
2A	(not available)	1	Spool Piston (old design)	13	84084E	1	Spring Washer
2B	42727E	1	Spool Piston (new design)	14	69870E	1	Spring Eyelet Lock
3A	5608106E	2	Backup Washer 8-106	15	▲68004E	1	Seat - Ext Relief
3B	✚43927E	2	Backup Washer TEF -010	16	▲68003E	1	Cone - Ext Relief
4A	5602106E	1	O-Ring 3/16 x 3/8"	17	▲66085E	1	Spring - Relief Valve
4B	✚B1005503	1	O-Ring 1/4 x 3/8"	18	66083E	1	Relief Valve Adjusting Scr.
5	68590E	1	Seat	19	40049E	3	1/16" Pipe Plug - Flush
6	92526E	1	Ball 9/32"	20	69518E	1	Screen O.C. Valve
7	69508E	1	Plug - Adapt P.R. Lock	21	42423E	1	Screen O.C. Valve
8	68183E	1	Gasket - Plug	22	69517E	1	Screen Cap
9	56020102E	3	O-Ring 1/4 x 3/8" Ureth	23	82522E	1	Pipe Plug 1/4" Flush
10	56020162E	1	O-Ring 5/8 x 3/4" Ureth	24	42726E	1	Washer PR Lock Block
11	68870E	1	Compression Spring	25	68871E	1	Compression Spring

▲ Included in 55057K Relief Kit. ✚ Included with item 2B

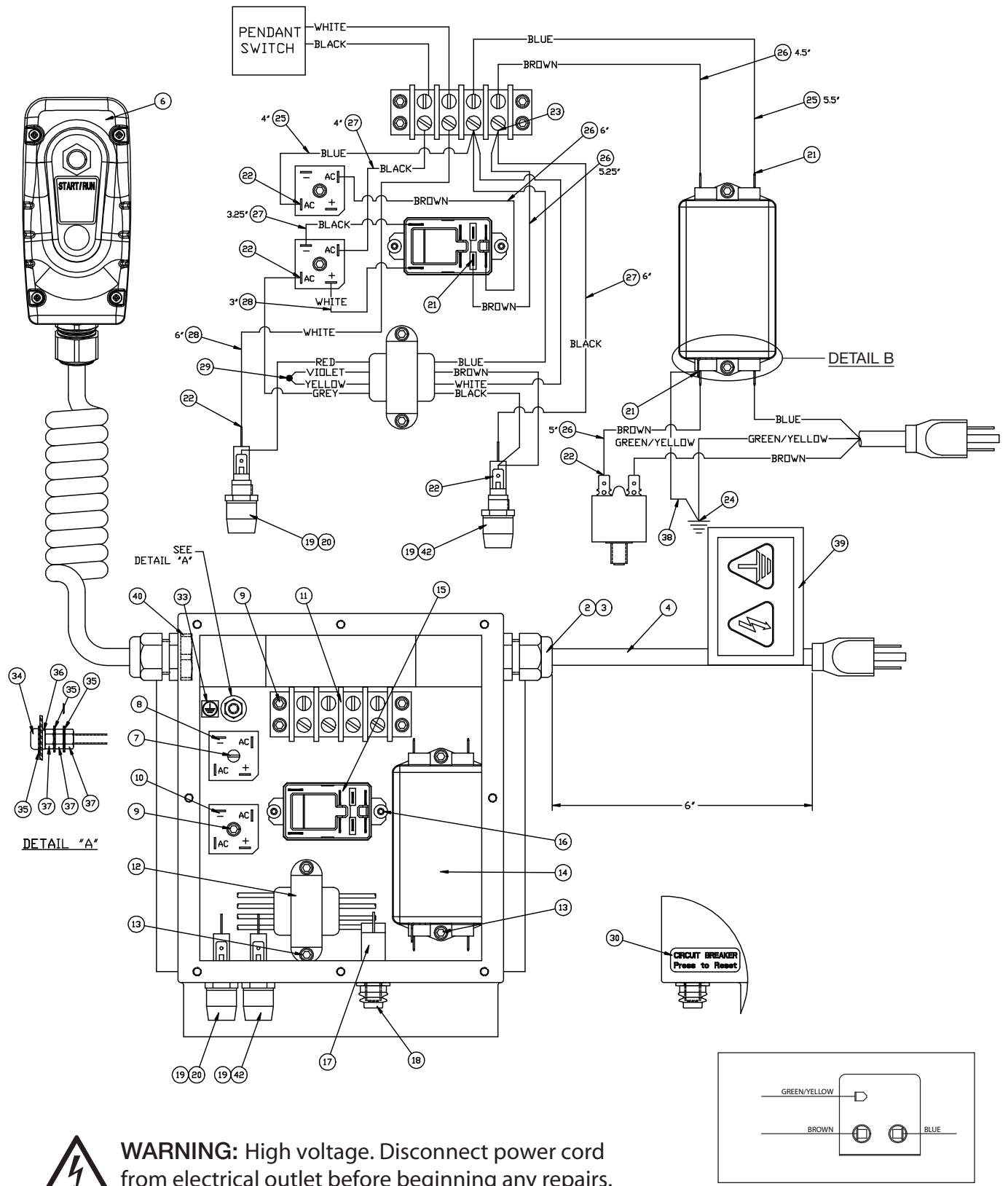
Figure 15 - 69749SR Manifold Assembly



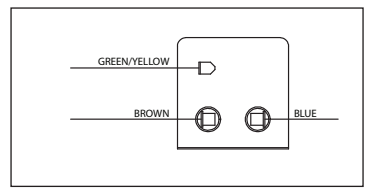
Repair Parts List (Refer to figure 15)

Item	Part Number	Qty.	Description	Item	Part Number	Qty.	Description
1	69429E	1	Manifold Pow'r Riser	7	45664E	1	O-Ring Face Seal Plug
2	40049E	2	1/16" Pipe Plug - Flush	8	45663E	1	O-Ring Face Tube Ftg 1/4"
3	81093E	1	Pipe Plug 1/8" Flush	9	4100067E	1	Nipple 1/4"
4	43166E	1	Elbow 90 3/8 - 1/4"				

Figure 16A - DS1061900SR Shroud Electrical Assembly (115 V)

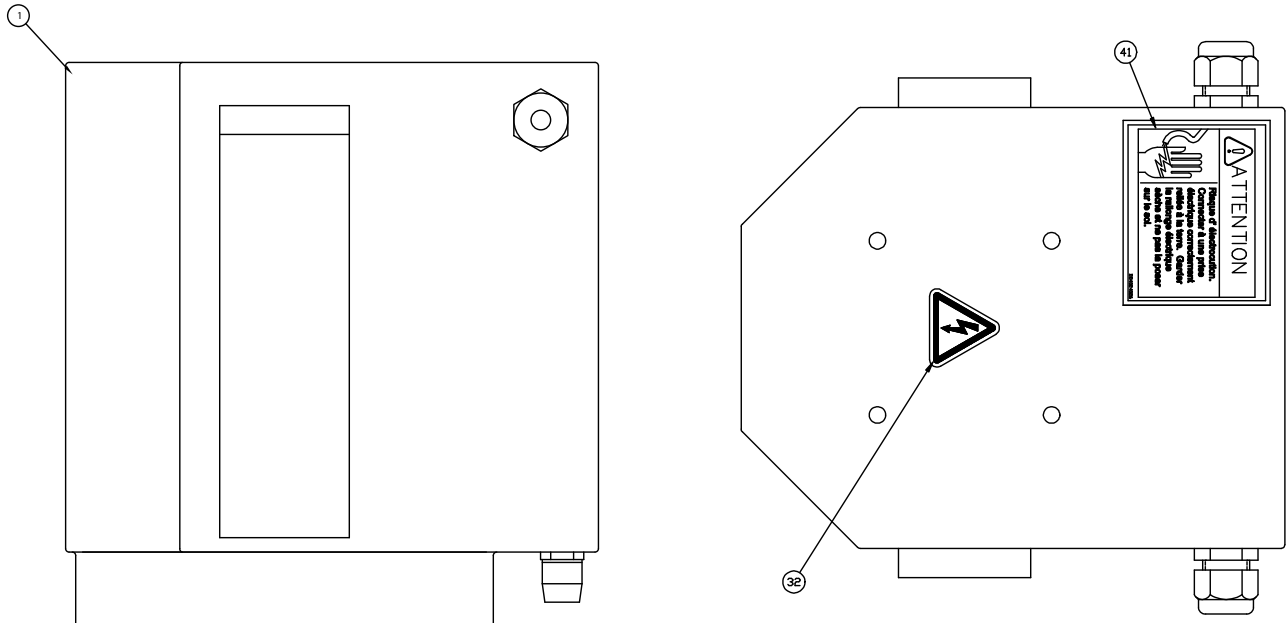


WARNING: High voltage. Disconnect power cord from electrical outlet before beginning any repairs.



(DETAIL B - VIEWED FROM BELOW)

Figure 16B - DS1061900SR Shroud Electrical Assembly (115 V)

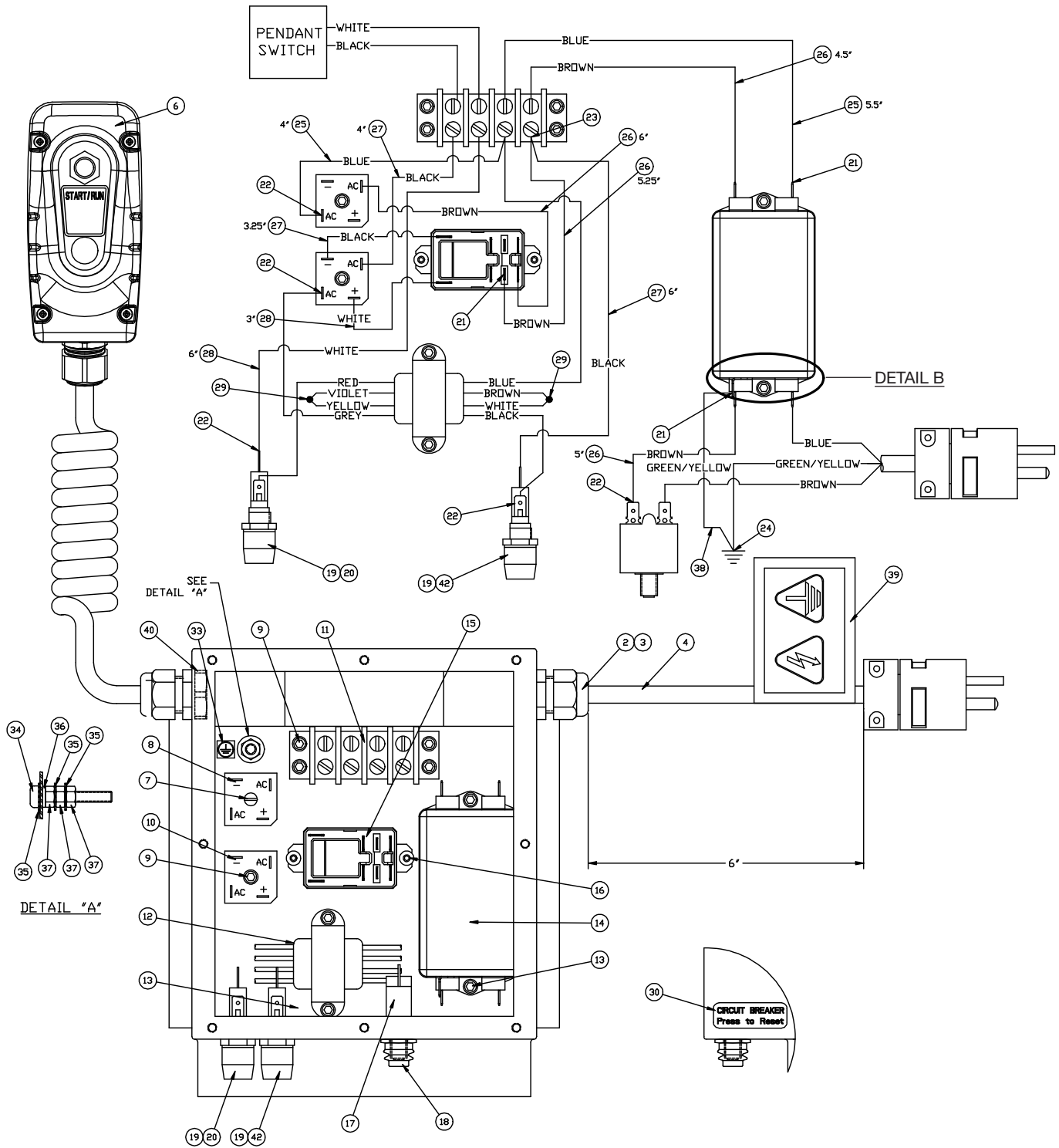


Repair Parts List (Refer to figure 16A and 16B)

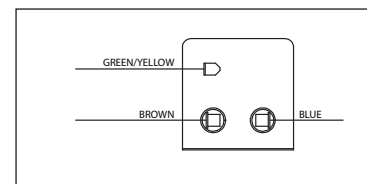
Item	Part Number	Qty.	Description	Item	Part Number	Qty.	Description
1	DS1054424	1	Shroud	22	65888E	11	Terminal, Push On
2	68375E	1	Fitting, Cord, L-Tight	23	65887E	6	Spade, Terminal
3	85510E	1	Locknut, 1/2 inch	24	69917E	2	Ring, Terminal
4	68595E	1	Plug and Cord Assy.	25	DS1065452	A/R	Wire #14GA Strand Blue
6	(See Fig. 21)	1	Pendant Assy.	26	46676E	A/R	Wire #14GA Brown
7	88032E	1	RHMS 10-32 5/8" Lg.	27	68261BE	A/R	Wire #14GA Black
8	DS1244380	1	Bridge Rectifier 1600V	28	68262BE	A/R	Wire #14GA White
9	42522E	5	SHCS 10-32 x 1/2" Lg.	29	68093E	1	Wire Nut, Blue
10	68623E	1	Bridge Rectifier 25A	30	DC8237026	1	Decal, CB Reset
11	69599E	1	Terminal Strip	32	DC9922026	1	Decal, High Voltage
12	68717E	1	Transformer	33	DC8119026	1	Decal, ZE Ground
13	45175E	4	SHCS 10-32 x 1/4" Lg. Plt.	34	DC9984028	1	M6 x 40 Pan Hd. Screw
14	DS1051380	1	EMI Filter	35	CCE1060108	3	Star Washer, 6mm Zinc
15	DS1064980	1	Relay, 30A/250V 12VDC	36	CAE1060108-1A	1	Flat Washer, 6mm Zinc
16	81145E	2	BHCS 8-32 x 1/4" Lg.	37	CBE1060120-1D	3	Nut, M6
17	DS1058380	1	Circuit Breaker, 20A	38	DS1066452	A/R	Wire #14GA Green/Yellow
18	DC8200380	1	Reset Cap, Circuit Breaker	39	DD1651026	1	Decal, Electric Shock
19	69754E	2	Fuse Holder, 250V	40	DC9538021	1	Locking Nut, 20mm
20	DC8371378	1	Fuse, 300mA	41	DD4024026	1	Decal, Attention (French)
21	44491E	9	Flag, Quick-Disc. Blue	42	DC8400378	1	Fuse, 40 mA

A/R = As Required.

Figure 17A - DS1062900SR Shroud Electrical Assembly (230 V)

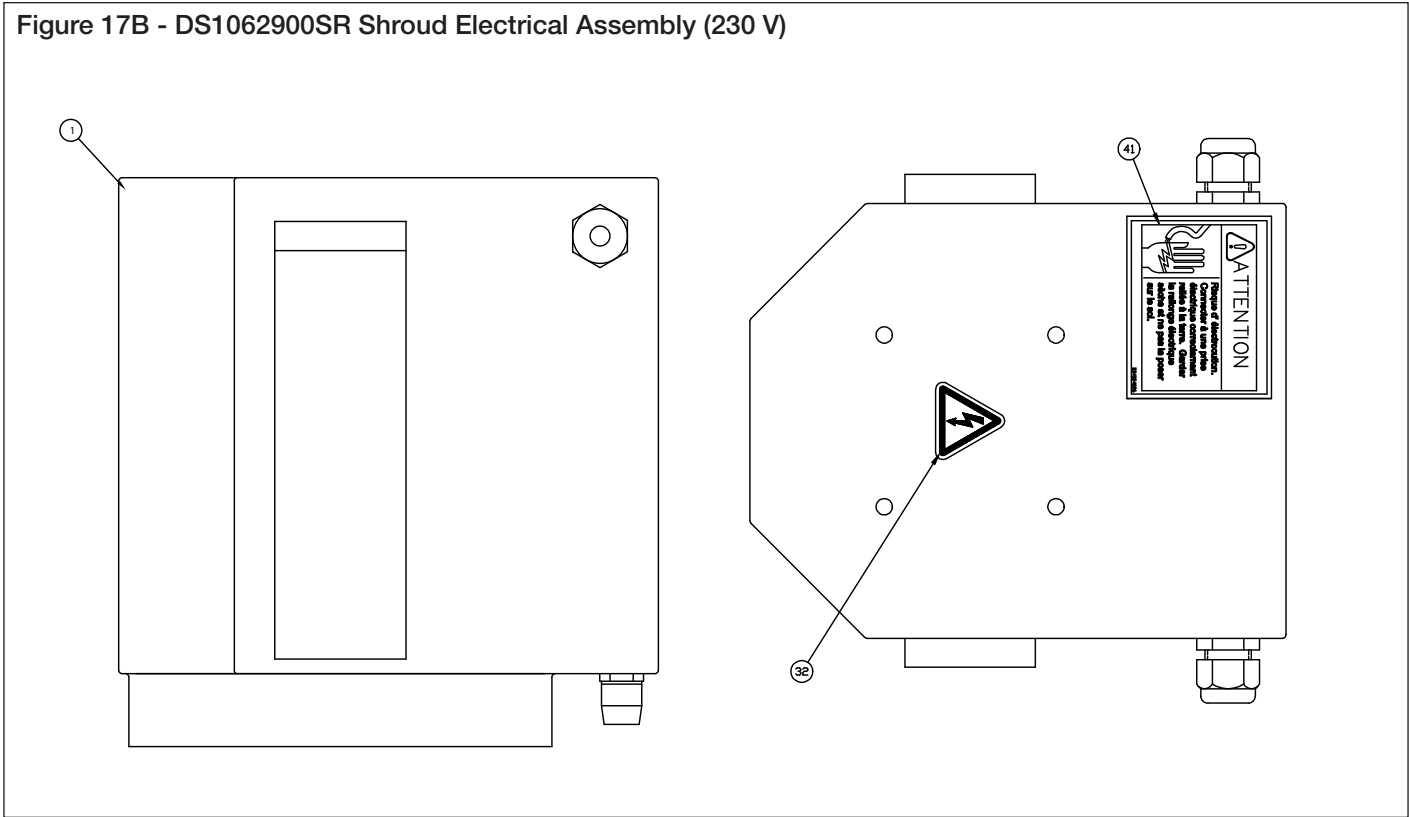


WARNING: High voltage. Disconnect power cord from electrical outlet before beginning any repairs.



(DETAIL B - VIEWED FROM BELOW)

Figure 17B - DS1062900SR Shroud Electrical Assembly (230 V)

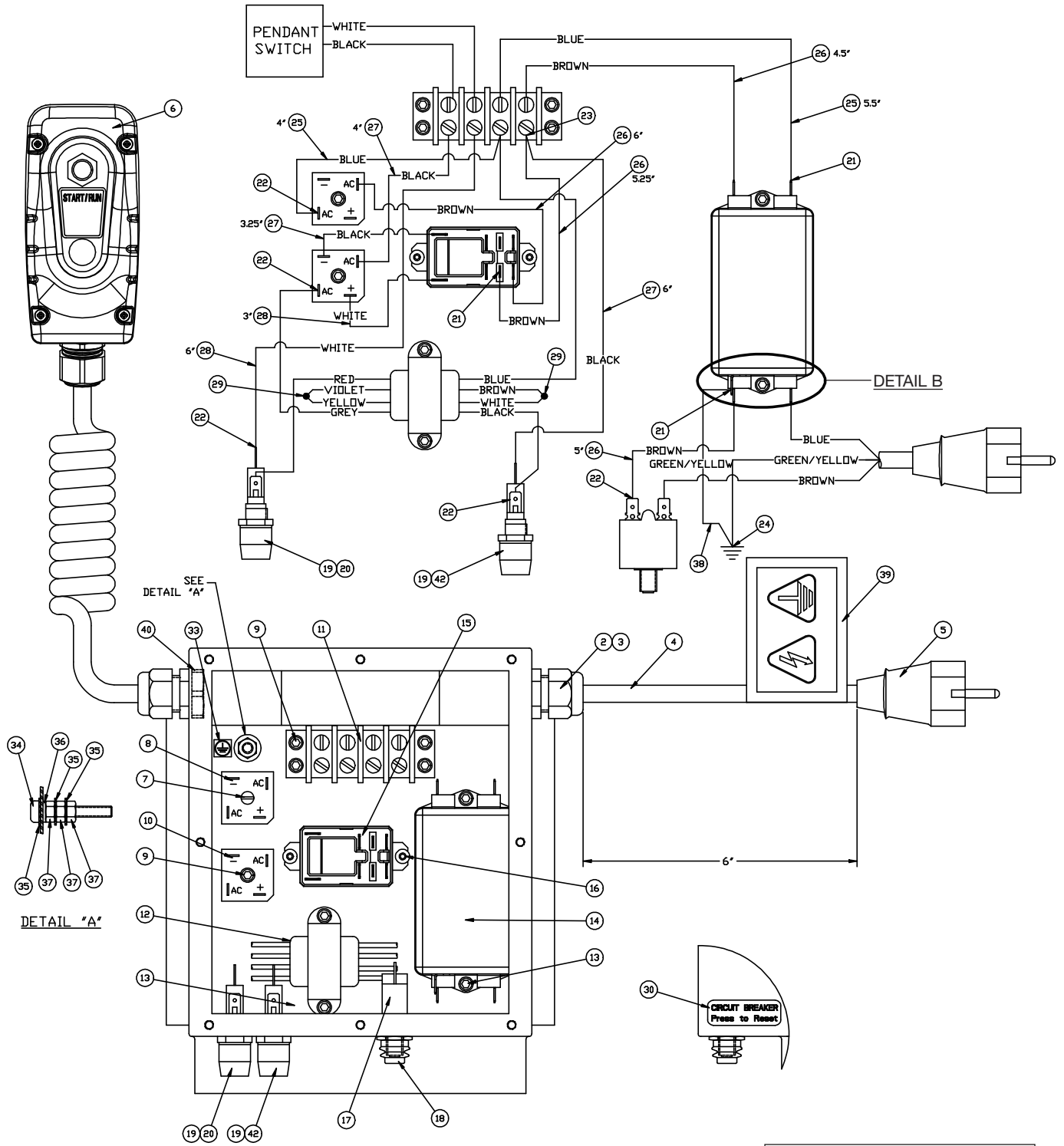


Repair Parts List (Refer to figure 17A and 17B)

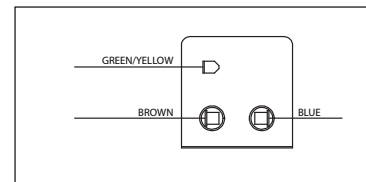
Item	Part Number	Qty.	Description	Item	Part Number	Qty.	Description
1	DS1054424	1	Shroud	22	65888E	11	Terminal, Push On
2	68375E	1	Fitting, Cord, L-Tight	23	65887E	6	Spade, Terminal
3	85510E	1	Locknut, 1/2 inch	24	69917E	2	Ring, Terminal
4	DD4773052E	1	Cord Assembly, 230V US/Canada , 6 Feet Long	25	DS1065452	A/R	Wire #14GA Strand Blue
6	(See Fig. 21)	1	Pendant Assy.	26	46676E	A/R	Wire #14GA Brown
7	88032E	1	RHMS 10-32 5/8" Lg.	27	68261BE	A/R	Wire #14GA Black
8	DS1244380	1	Bridge Rectifier 1600V	28	68262BE	A/R	Wire #14GA White
9	42552E	5	SHCS 10-32 x 1/2" Lg.	29	68093E	2	Wire Nut, Blue
10	68623E	1	Bridge Rectifier 25A	30	DC8237026	1	Decal, CB Reset
11	69599E	1	Terminal Strip	32	DC9922026	1	Decal, High Voltage
12	68717E	1	Transformer	33	DC8119026	1	Decal, ZE Ground
13	45175E	4	SHCS 10-32 x 1/4" Lg. Plt.	34	DC9984028	1	M6 x 40 Pan Hd. Screw
14	DS1051380	1	EMI Filter	35	CCE1060108-6A	3	Star Washer, 6mm Zinc
15	DS1064980	1	Relay, 30A/250V 12VDC	36	CAE1060108-1A	1	Flat Washer, 6mm Zinc
16	81145E	2	BHCS 8-32 x 1/4" Lg.	37	CBE1060120-1D	3	Nut, M6
17	DC8309380	1	Circuit Breaker, 12A	38	DS1066452	A/R	Wire #14GA Green/Yellow
18	DC8200380	1	Reset Cap, Circuit Breaker	39	DD1651026	1	Decal, Electric Shock
19	69754E	2	Fuse Holder, 250V	40	DC9538021	1	Locking Nut, 20mm
20	DC8371378	1	Fuse, 300mA	41	DD4024026	1	Decal, Attention (French)
21	44491E	9	Flag, Quick-Disc. Blue	42	DC8400378	1	Fuse, 40 mA

A/R = As Required

Figure 18A - DS1173900SR Shroud Electrical Assembly (230 V European)

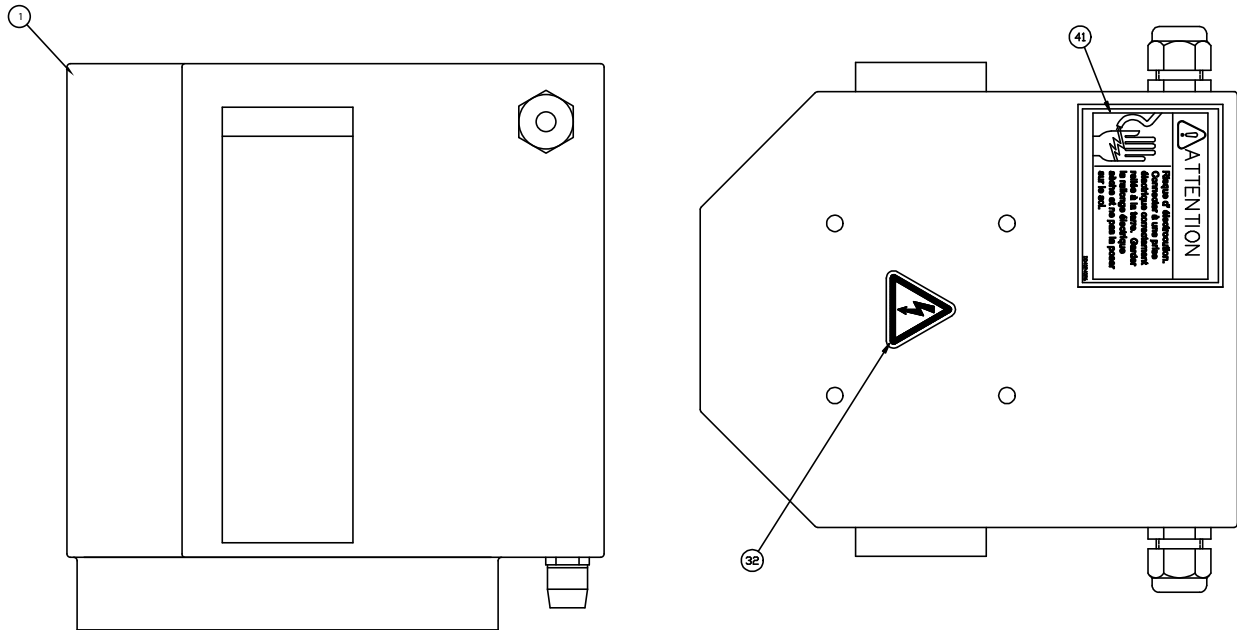


WARNING: High voltage. Disconnect power cord from electrical outlet before beginning any repairs.



(DETAIL B - VIEWED FROM BELOW)

Figure 18B - DS1173900SR Shroud Electrical Assembly (230 V European)

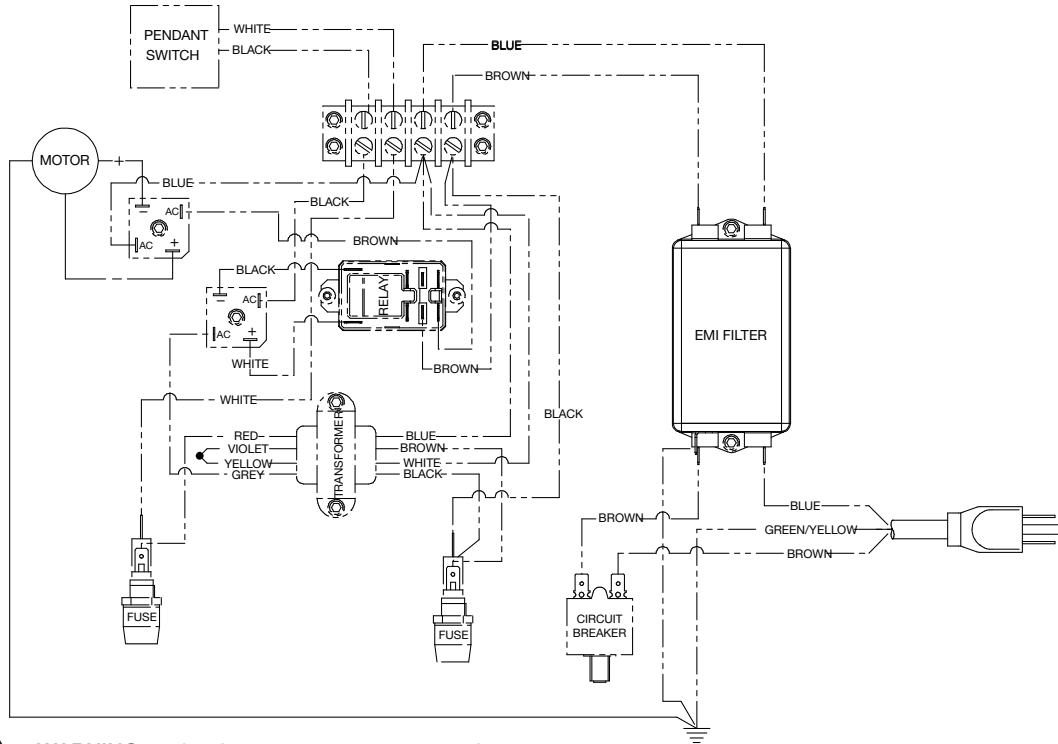


Repair Parts List (Refer to figure 18A and 18B)

Item	Part Number	Qty.	Description	Item	Part Number	Qty.	Description
1	DS1054424	1	Shroud	22	65888E	11	Terminal, Push On
2	68375E	1	Fitting, Cord, L-Tight	23	65887E	6	Spade, Terminal
3	85510E	1	Locknut, 1/2 inch	24	69917E	2	Ring, Terminal
4	69604RE	1	Power Cord, 1.6 Ft. Lg.	25	DS1065452	A/R	Wire #14GA Strand Blue
5	69778E	1	Plug 16 A, 250V European	26	46676E	A/R	Wire #14GA Brown
6	(See Fig. 21)	1	Pendant Assy.	27	68261BE	A/R	Wire #14GA Black
7	88032E	1	RHMS 10-32 5/8" Lg.	28	68262BE	A/R	Wire #14GA White
8	DS1244380	1	Bridge Rectifier 1600V	29	68093E	2	Wire Nut, Blue
9	42552E	5	SHCS 10-32 x 1/2" Lg.	30	DC8237026	1	Decal, CB Reset
10	68623E	1	Bridge Rectifier 25A	31	DS1169026	1	Decal, Transformer Fuse
11	69599E	1	Terminal Strip	32	DC9922026	1	Decal, High Voltage
12	68717E	1	Transformer	33	DC8119026	1	Decal, ZE Ground
13	45175E	4	SHCS 10-32 x 1/4" Lg. Plt.	34	DC9984028	1	M6 x 40 Pan Hd. Screw
14	DS1051380	1	EMI Filter	35	CCE1060108-6A	3	Star Washer, 6mm Zinc
15	DS1064980	1	Relay, 30A/250V 12VDC	36	CAE1060108-1A	1	Flat Washer, 6mm Zinc
16	81145E	2	BHCS 8-32 x 1/4" Lg.	37	CBE1060120-1D	3	Nut, M6
17	DC8309380	1	Circuit Breaker, 12A	38	DS1066452	A/R	Wire #14GA Green/Yellow
18	DC8200380	1	Reset Cap, Circuit Breaker	39	DD1651026	1	Decal, Electric Shock
19	69754E	2	Fuse Holder, 250V	40	DC9538021	1	Locking Nut, 20mm
20	DC8371378	1	Fuse, 300mA	41	DD4024026	1	Decal, Attention (French)
21	44491E	9	Flag, Quick-Disc. Blue	42	DC8400378	1	Fuse, 40 mA

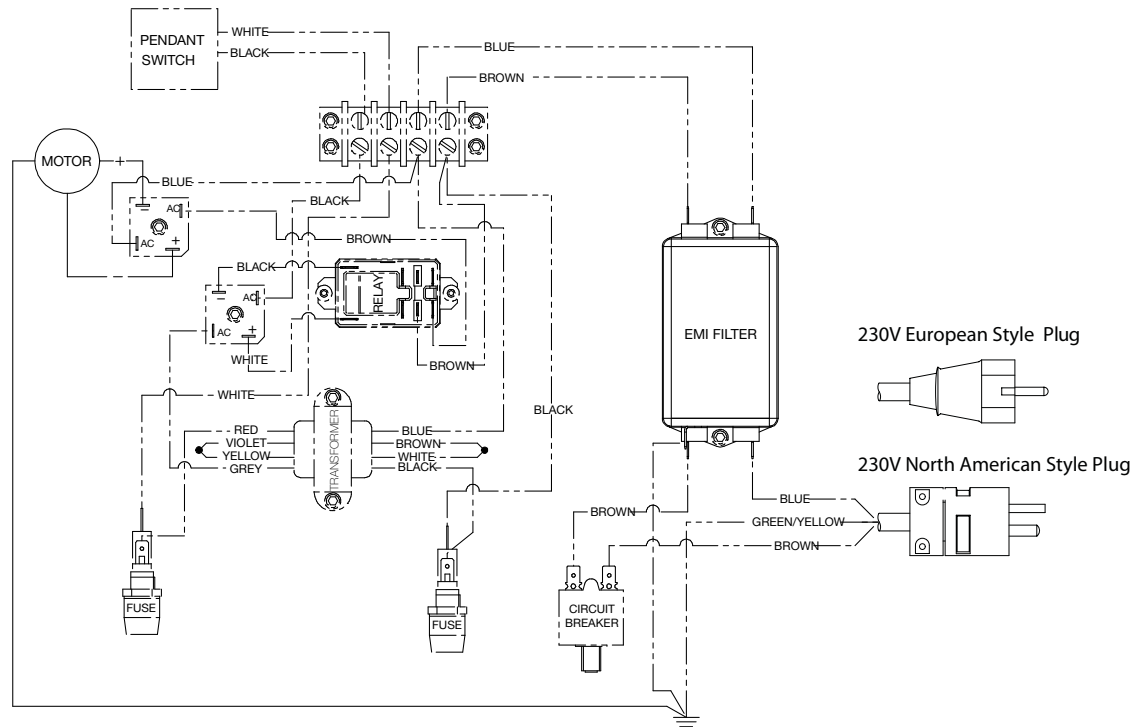
A/R = As Required

Figure 19 - 115 Volt Wiring Diagram



 **WARNING:** High voltage. Disconnect power cord from electrical outlet before beginning any repairs.

Figure 20 - 230 Volt Wiring Diagram




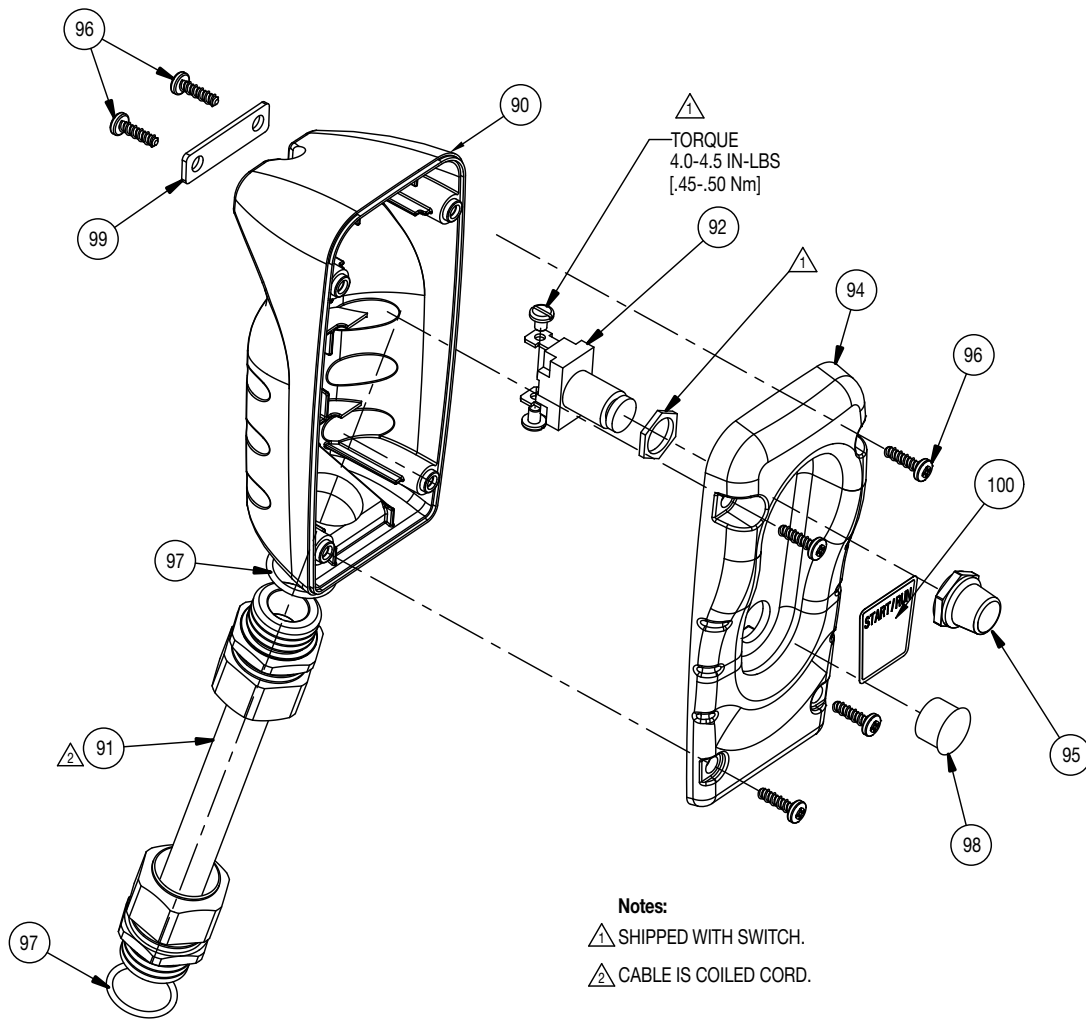
 **WARNING:** High voltage. Disconnect power cord from electrical outlet before beginning any repairs.

Figure 21 - DS1074900SR Pendant Assembly

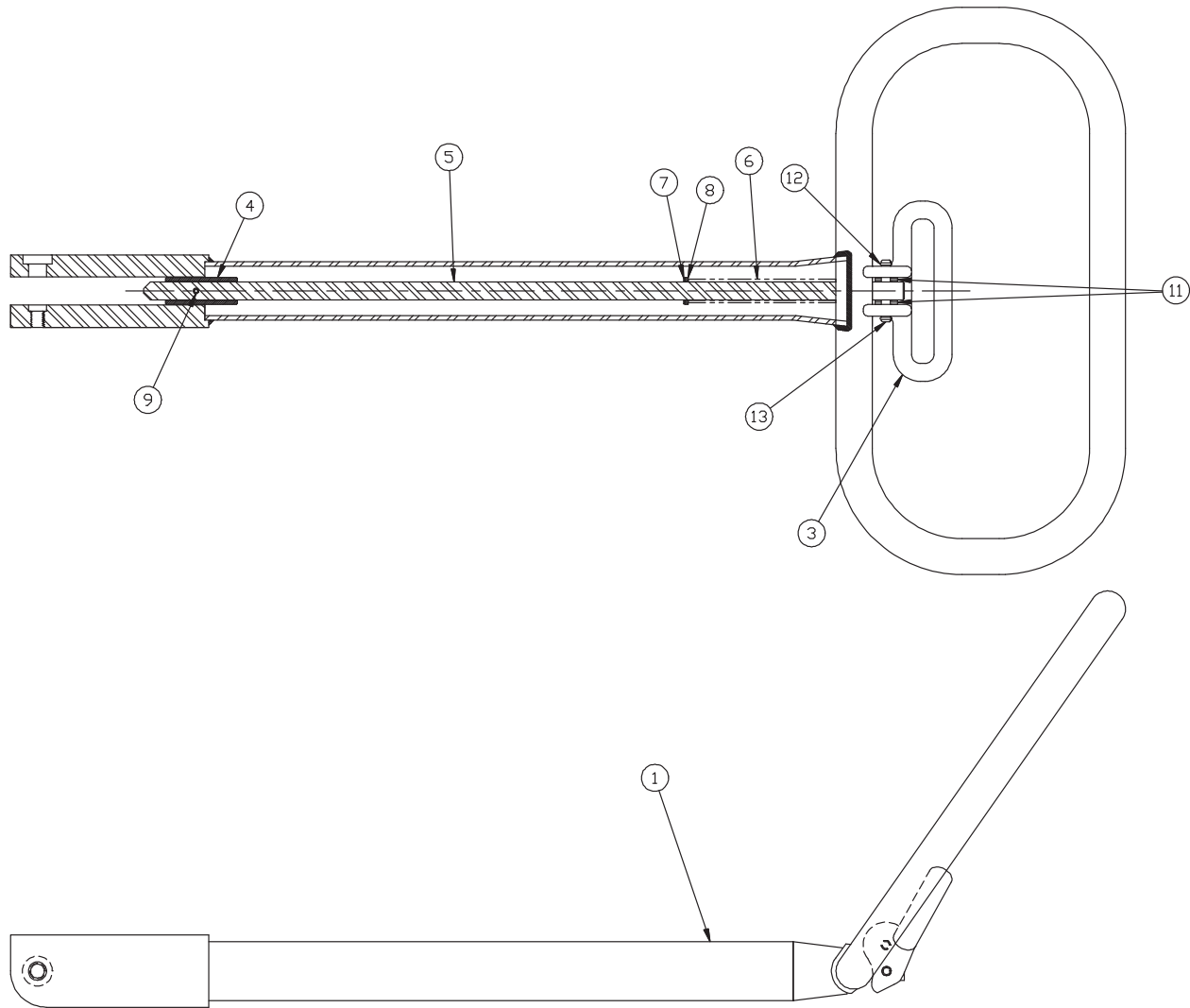


Repair Parts List for Figure 21

Item	Part Number	Qty.	Description	Item	Part Number	Qty.	Description
90	DC9425424E	1	Enclosure, Lower	96	DC9428008E	6	Screw, Hi-Low #8 x 1/2"
91	DS1075960E	1	Cable Assembly	97	B1223503E	2	O-Ring
92	DC8282379E	1	Pendant Button, NO	98	DC8228009E	1	Dome Plug
94	DC8122424E	1	Enclosure, Upper	99	DS1167101E	1	Plate, Pendant Hook
95	DC8284379E	1	Switch Cover	100	DD4333026E	1	Decal, PR Pendant

Note: Pendant Assembly DS1074900SR includes all items shown above.

Figure 22 - 41961SR Upper Handle Assembly



Repair Parts List (Refer to figure 22)

Item	Part Number	Qty.	Description	Item	Part Number	Qty.	Description
1	41595E	1	Upper Weldment	8	41614E	1	Washer 9/16" ID x 3/32"
3	42368E	1	Handle Lock Lever	9	42497E	1	Roll Pin 5/32 x 7/8"
4	41600E	1	Sleeve	11	88429E	4	Washer SS 1/4"
5	41601E	1	Handle Rod	12	42340E	4	Pin Ring
6	41602E	1	Spring .656 x 9.50"	13	42338E	2	Pin Handle Lever
7	41613E	1	E-Ring .8/.82 x .042				



Visit www.enerpac.com for the location of the
Enerpac Authorized Service Center nearest you.