

To Protect Your Warranty, Use Only ENERPAC Hydraulic Oil.

Enerpac recommends that all kit components be installed to insure optimum performance of the repaired product.

Note: This illustration is for reference only.
The appearance of your unit may differ from
the unit shown.

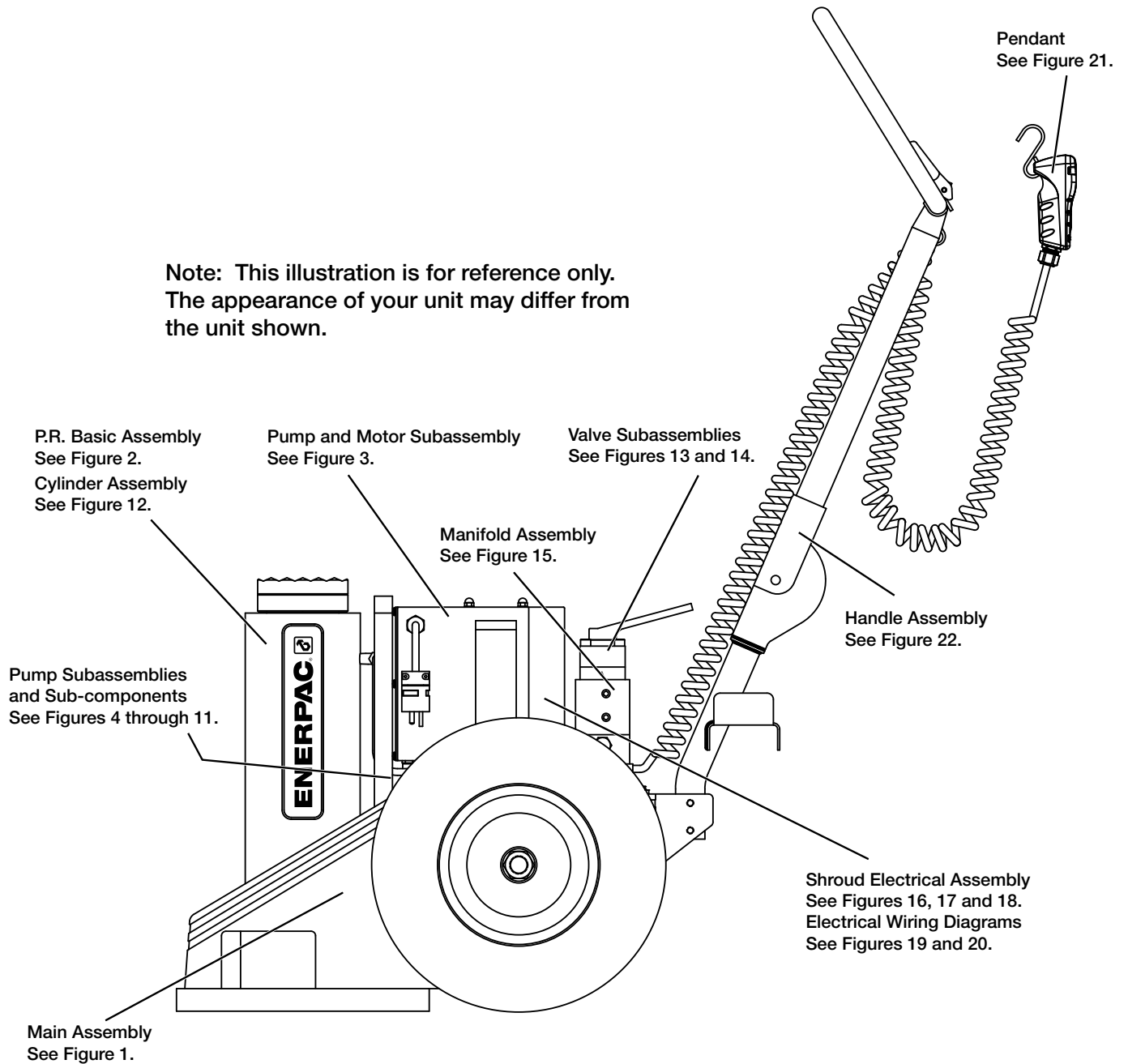
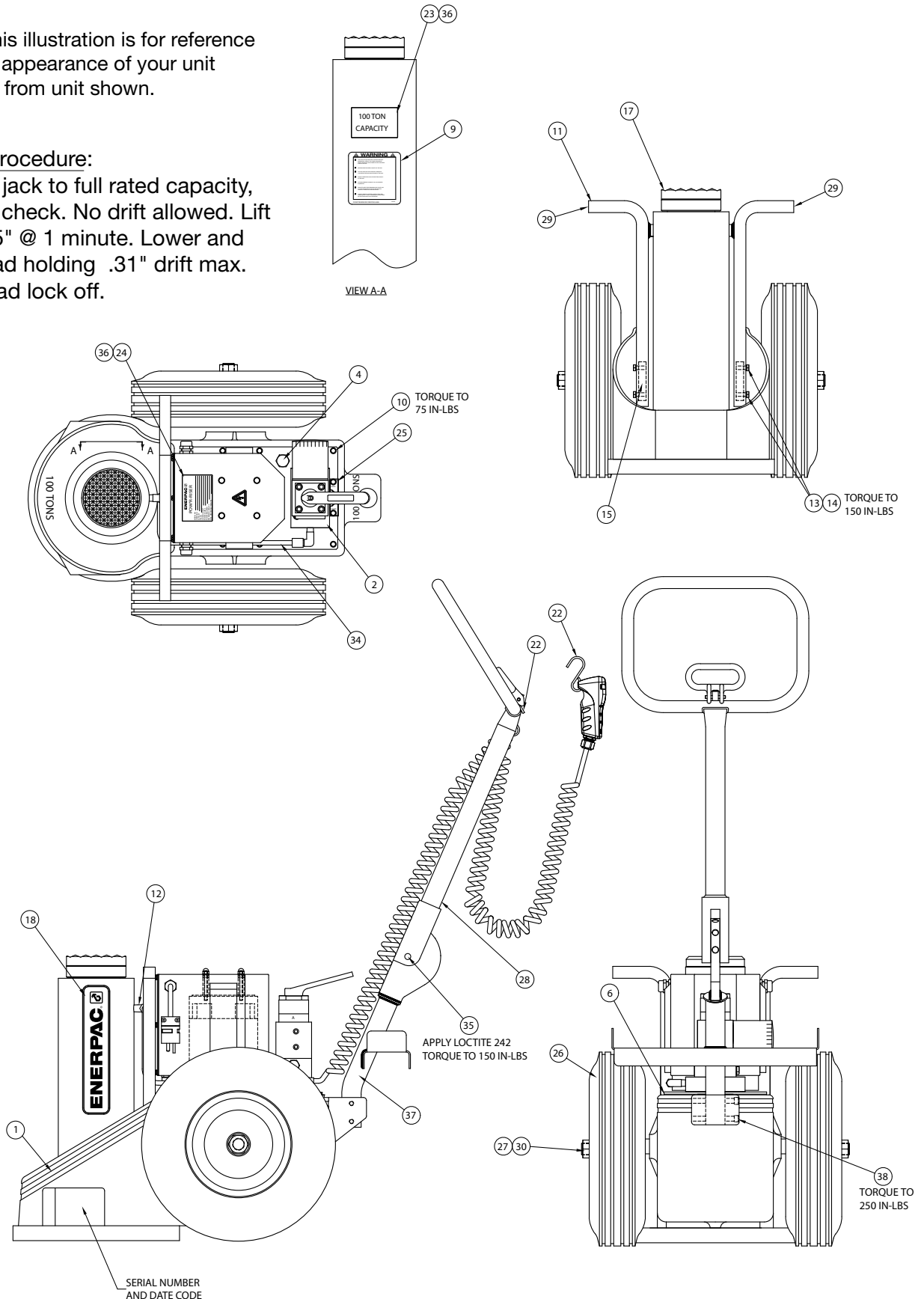


Figure 1 - Main Assembly

NOTE: This illustration is for reference only. The appearance of your unit may differ from unit shown.

Testing Procedure:

Load the jack to full rated capacity, hold and check. No drift allowed. Lift 2.50-1.75" @ 1 minute. Lower and check load holding .31" drift max. before load lock off.

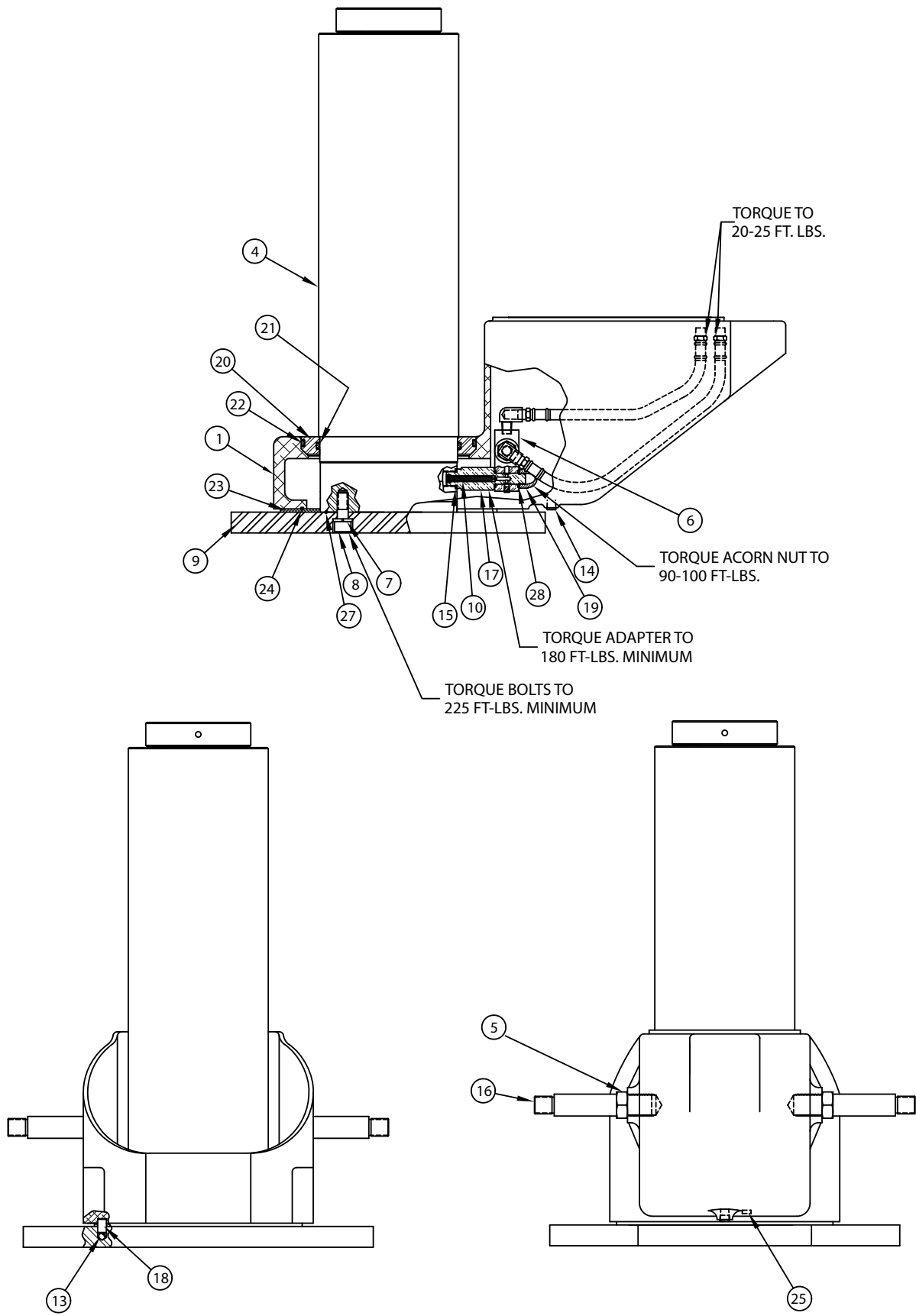


Repair Parts List (Refer to figure 1)

Item	Model						Qty.	Description
	PREMB10016L 115 Volt	PREMB10027L 115 Volt	PREMI10016L 230 Volt	PREMI10027L 230 Volt	PREME10016L 230 Volt	PREME10027L 230 Volt		
1	41939SR	42408SR	41939SR	42408SR	41939SR	42408SR	1	PR Basic Asm (See Fig 2)
2	DS1069900SR	DS1069900SR	DS1072900SR	DS1072900SR	DS1175900SR	DS1175900SR	1	Subassembly, Pump and Motor (see Figure 3)
4	88743E	88743E	88743E	88743E	88743E	88743E	1	Plug Hex O-Ring
6	85469E	85469E	85469E	85469E	85469E	85469E	1	Gasket
9	89292E	89292E	89292E	89292E	89292E	89292E	1	Decal, Warning PWR R
10	B2005046E	B2005046E	B2005046E	B2005046E	B2005046E	B2005046E	14	Screw 1/4-20 x 3/4" St
11	42358E	N/A	42358E	N/A	42358E	N/A	1	Lifting Bar 24" PR
12	40085E	40085E	40085E	40085E	40085E	40085E	1	Male Elbow 3/8-3/8"
13	42363E	N/A	42363E	N/A	42363E	N/A	4	HCS 5/16-18 x 1.25" Plt.
14	93942E	N/A	93942E	N/A	93942E	N/A	4	Lock Washer 5/16"
15	42365E	N/A	42365E	N/A	42365E	N/A	2	Nut Plt - Lift Bar
17	42208E	42208E	42208E	42208E	42208E	42208E	1	Load Cap PR Long Stm
18	89967E	89967E	89967E	89967E	89967E	89967E	1	Enerpac Logo - Large
22	42367E	42367E	42367E	42367E	42367E	42367E	2	S-Hook, Pendant
23	42531E	42531E	42531E	42531E	42531E	42531E	1	Label 100 Ton Capacity
24	42432E	42433E	45715E	45608E	DS1179026	DS1180026	1	Model Label
25	86027E	86027E	86027E	86027E	86027E	86027E	1	Control Valve Plate
26	41944E	41944E	41944E	41944E	41944E	41944E	2	Tire/Rim Assembly
27	41945E	41945E	41945E	41945E	41945E	41945E	2	Spacer
28	41961SR	41961SR	41961SR	41961SR	41961SR	41961SR	1	Handle Assembly
29	43021E	N/A	43021E	N/A	43021E	N/A	2	Square Hole Plug PR
30	46053E	46053E	46053E	46053E	46053E	46053E	2	1"-8 Hex Lock Nut
34	41979E	42412E	41979E	42412E	41979E	42412E	1	Tube
35	41983E	41983E	41983E	41983E	41983E	41983E	1	Screw Shoulder
36	46539E	46539E	46539E	46539E	46539E	46539E	1	Decal Overlay
37	41598E	41598E	41598E	41598E	41598E	41598E	1	Lower Weldment 4" PR
38	84692E	84692E	84692E	84692E	84692E	84692E	2	SHC 3/8-16 x 1.75"

N/A = Not Available.

Figure 2 - 41939SR, 42408SR Pow'r Riser Basic Assembly

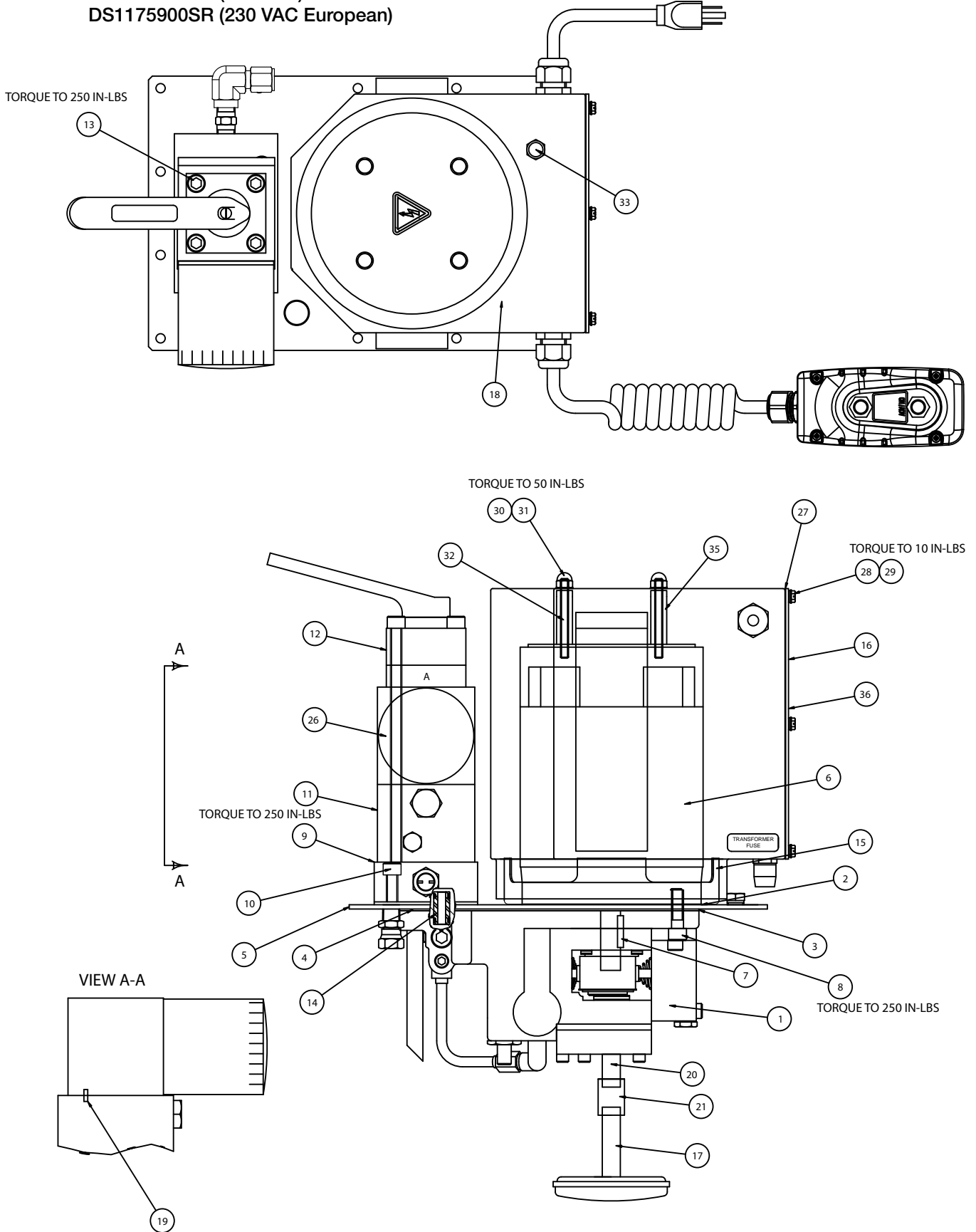


Repair Parts List (Refer to figure 2)

Item	Model						Qty.	Description
	PREMB10016L 115 Volt	PREMB10027L 115 Volt	PREMI10016L 230 Volt	PREMI10027L 230 Volt	PREME10016L 230 Volt	PREME10027L 230 Volt		
BASIC ASSY	41939SR	42408SR	41939SR	42408SR	41939SR	42408SR		
1	41886E	41886E	41886E	41886E	41886E	41886E	1	Housing Mach P. R.
4	41917SR	42430SR	41917SR	42430SR	41917SR	42430SR	1	100 Ton Cylinder Assy.
5	85477E	85477E	85477E	85477E	85477E	85477E	2	Jam Nut
6	(See Fig. 12)						1	O.C. Valve and Hoses
7	93947E	93947E	93947E	93947E	93947E	93947E	6	Lock Washer 5/8"
8	93605E	93605E	93605E	93605E	93605E	93605E	6	SHCS 5/8-11 x 1.5" Lg.
9	41941E	41941E	41941E	41941E	41941E	41941E	1	100 Ton P.R. Base
10	89754E	89754E	89754E	89754E	89754E	89754E	1	Screen - 2" Nipple
13	44968E	44968E	44968E	44968E	44968E	44968E	2	Rubber Ball 3/8" 70
14	93950E	93950E	93950E	93950E	93950E	93950E	1	1/4" Soc Pipe Plug
15	◆	◆	◆	◆	◆	◆	1	Gasket Adapter
16	41948E	41948E	41948E	41948E	41948E	41948E	2	Axle Shaft
17	41942E	41942E	41942E	41942E	41942E	41942E	1	Adapter O.C. Valve
18	42275E	42275E	42275E	42275E	42275E	42275E	2	PR Base Pin
19	46740E	46740E	46740E	46740E	46740E	46740E	1	Acorn Nut 5/8-11
20	41940E	41940E	41940E	41940E	41940E	41940E	1	Ring 100 Ton
21	◆	◆	◆	◆	◆	◆	1	O-Ring 6-3/4 x 7-1/4"
22	◆	◆	◆	◆	◆	◆	1	O-Ring 9" x 9-1/2"
23	◆	◆	◆	◆	◆	◆	1	Gasket Base
24	◆	◆	◆	◆	◆	◆	1	O-Ring Power Riser
25	66021E	66021E	66021E	66021E	66021E	66021E	1	Magnet
27	◆	◆	◆	◆	◆	◆	1	O-Ring 6" x 6-1/4"
28	68183E	68183E	68183E	68183E	68183E	68183E	1	Gasket Plug

◆ Included in 54411K Repair Kit.

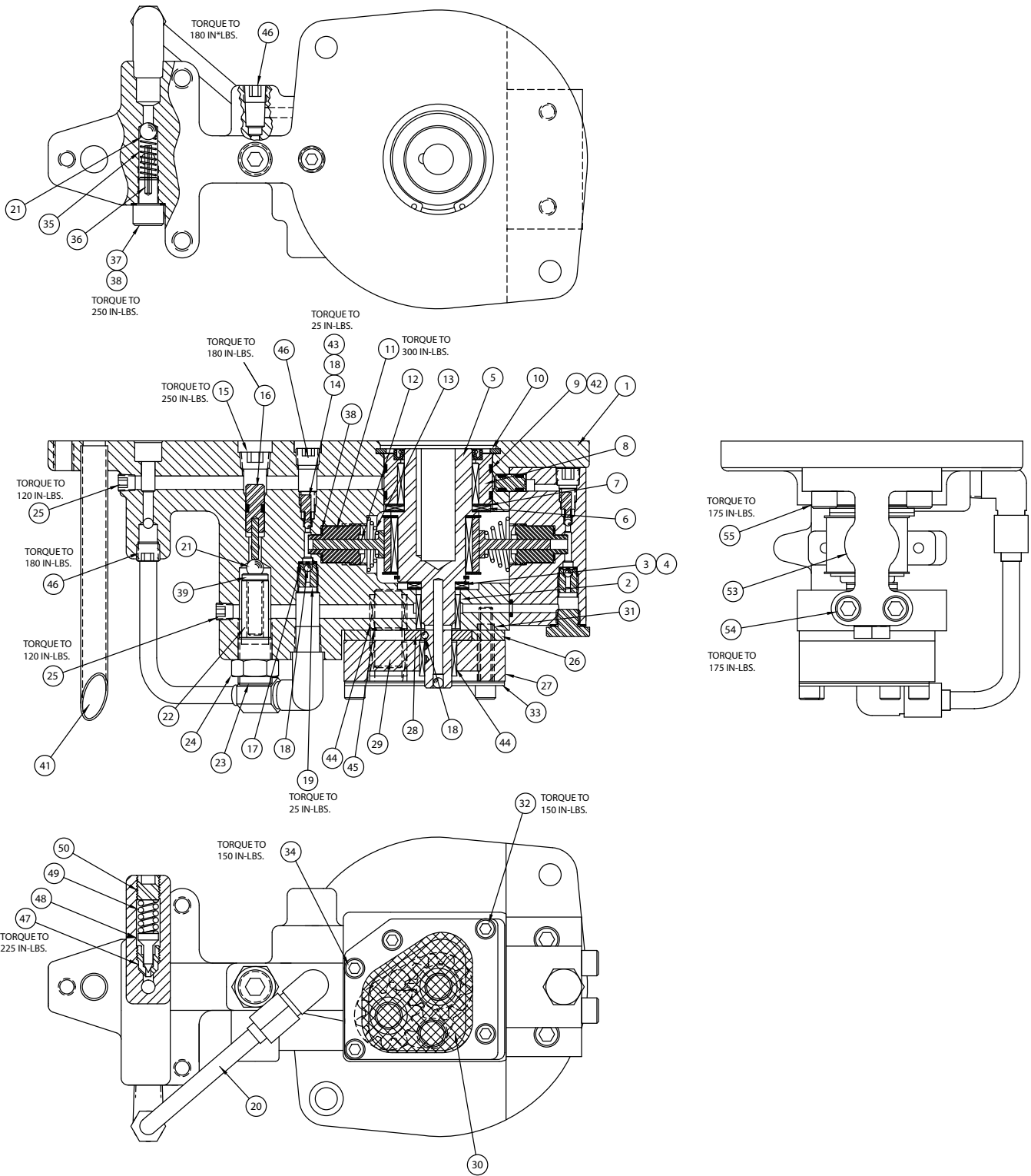
Figure 3 - Pump and Motor Sub-Assembly
DS1069900SR (115 VAC)
DS1072900SR (230 VAC)
DS1175900SR (230 VAC European)



Repair Parts List (Refer to figure 3)					
Item	Part Number			Qty.	Description
	Pump and Motor Assy. DS1069900SR (115 VAC)	Pump and Motor Assy. DS1072900SR (230 VAC)	Pump and Motor Assy. DS1175900SR (230 VAC)		
1	(See Fig. 4)			1	Pump Asm 2P 1.5 HP.
2	★ 66012E	★ 66012E	★ 66012E	1	Gasket-Motor
3	★ 68231E	★ 68231E	★ 68231E	1	Gasket-Pump @ Motor
4	★ 68551E	★ 68551E	★ 68551E	1	Gasket-Pump @ Valve
5	42254E	42254E	42254E	1	PR Cover Plate
6	68376E	---	---	1	Electric Motor, 1.5 HP 115V
	---	68403E	68403E	1	Electric Motor, 1.5 HP 230V
7	69026E	69026E	69026E	1	Pin Dowel 3/16-1
8	93596E	93596E	93596E	2	SHCS 3/8-16 x 1-1/4"
9	(See Fig. 15)			1	Manifold Asm NPR
10	86184E	86184E	86184E	3	SHCS 3/8-16 x 1-1/2"
11	(See Fig. 14)			1	Locking Valve w/relief
12	(See Fig. 13)			1	Control Valve Asm.
13	42383E	42383E	42383E	4	SHCS 3/8-16 x 8.0"
14	(See Fig. 10)			1	Adapter Assy.
15	DS1055398E	DS1055398E	DS1055398E	1	Air Baffle
16	DS1056098E	DS1056098E	DS1056098E	1	Cover, Shroud
17	68884E	68884E	68884E	1	Screen
18	(See Fig. 16)	(See Fig. 17)	(See Fig. 18)	1	Shroud Electrical Assembly
19	561604E	561604E	561604E	1	Roll Pin 1/8 x 3/8" Lg.
20	69442E	69442E	69442E	1	Nipple 1/4 NPT x 3"
21	80241E	80241E	80241E	1	Pipe Coupling 1/4"
26	(See Fig. 9)			1	Filter Block Asm
27	DS1057037E	DS1057037E	DS1057037E	1	Gasket, Shroud Cover
28	DS1135042E	DS1135042E	DS1135042E	8	HHCS 10-32 x 3/8" Lg.
29	DS1136108E	DS1136108E	DS1136108E	8	Washer, Sealing
30	42336E	42336E	42336E	4	Nut, Acorn
31	65892E	65892E	65892E	4	Washer, Sealing
32	DS1137305E	---	---	4	Stud, 1/4-20 x 2.75" Lg.
	---	DS1138305E	DS1138305E	4	Stud, 1/4-20 x 1.50" Lg.
33	69264E	69264E	69264E	1	Breather Vent
34	65888E	65888E	65888E	2	Push-On Terminal
35	DS1139186E	---	---	4	Spacer, 1.69" Lg.
	---	44620E	44620	4	Spacer, 0.38" Lg.
36	DC9922026E	DC9922026E	DC9922026E	1	Decal, High Voltage
37	69917E	69917E	69917E	1	Ring Terminal, 1/4"
38	CCE1060108-6AE	CCE1060108-6AE	CCE1060108-6AE	1	Washer, 6mm Zinc
39	CBE1060120-1DE	CBE1060120-1DE	CBE1060120-1DE	1	Nut, M6

★Included in 54177K Repair Kit.

Figure 4 - 18852SR Pump Assembly

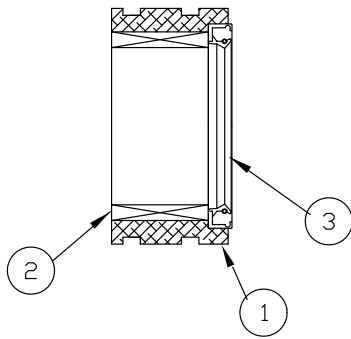


Repair Parts List (Refer to figure 4)

Item	Part Number	Qty.	Description	Item	Part Number	Qty.	Description
1	43769E	1	Pump Body 2 Piston	27	68849E	1	Plate-Bottom
2	68360E	1	Bearing, Roller	28	68883E	2	Gear-Pump .1875
3	66033E	1	Thrust Bearing	29	68850E	1	Shaft-Idler
4	66474E	2	Thrust Washer	30	★ 68921E	1	Screen
5	(See Fig. 7)	1	Eccentric Shaft Assembly	31	68894E	2	Tube-Guide .11
6	66106E	1	Thrust Bearing	32	68255E	4	SHCS 1/4-28 x 1-3/4"
7	66108E	2	Thrust Washer	33	68927E	1	Plate-Screen Mtg.
8	(See Fig. 5)	1	Adapter-Shaft Asm.	34	89148E	1	SHCS 1/4-28 x 1-1/2"
9	★ 56020322E	2	O-Ring 1-7/8 x 2" Ure	35	68225E	1	Spring
10	68978E	1	Retaining Ring	36	81332E	1	Roll Pin 1/8 x 15/16"
11	68945E	1	Adaptor .225 Dia.	37	68226E	1	Screw, Ball Stop
12	67868E	1	Piston .225 Dia.	38	85726E	2	Gasket 25/64 x 19/32"
13	68340E	1	Spring, Piston	39	43673E	1	Spring Cap Unload Valve
14	68810E	1	Ball Stop	41	68569E	1	Tube Return
15	93950E	1	1/4" Soc Pipe Plug	42	★ 69513E	2	Shaft Adp Backup Was.
16	(See Fig. 6)	1	Unloading Piston Assy	43	66042E	1	Spring
17	66043E	1	Ball Retainer	44	68891E	3	Bearing
18	90906E	5	Ball 1/8"	45	68892E	1	Ring-Retaining
19	66046E	1	Intake Seat	46	81093E	3	Pipe Plug 1/8" Flush
20	68851SR	1	Tube Asm	47	▲ 68004E	1	Seat - Ext Relief
21	91701E	2	Ball 5/16"	48	▲ 68003E	1	Cone - Ext Relief
22	43671E	1	Unloading Spring	49	▲ 66085E	1	Spring - Relief Valve
23	43674E	1	Set Screw Unloading Valve	50	66083E	1	Relief Valve Adj. Screw
24	43675E	1	Hex Nut Unloading Valve	53	(See Fig. 8)	1	Piston Blk .225
25	97641E	2	1/16" Soc Pipe Plug	54	69392E	2	SHCS 5/16-24 x 1.75"
26	68848E	1	Tube Extend	55	82687E	2	SHCS 5/16-24 x 5/8"

★ Included in 54177K Repair Kit. ▲ Included in 55057K Relief Kit.

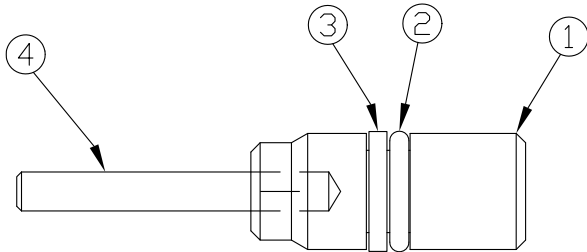
Figure 5 - 68829SR Adapt-Shaft Assembly



Repair Parts List (Refer to figure 5)			
Item	Part Number	Qty.	Description
1	68912E	1	Adapter Shaft
2	66030E	1	Bearing
3	★68901E	1	Seal

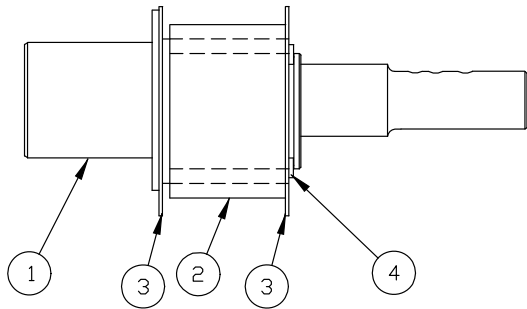
★Included in Repair Kit 54177K.

Figure 6 - 43766SR Unloading Piston Assembly



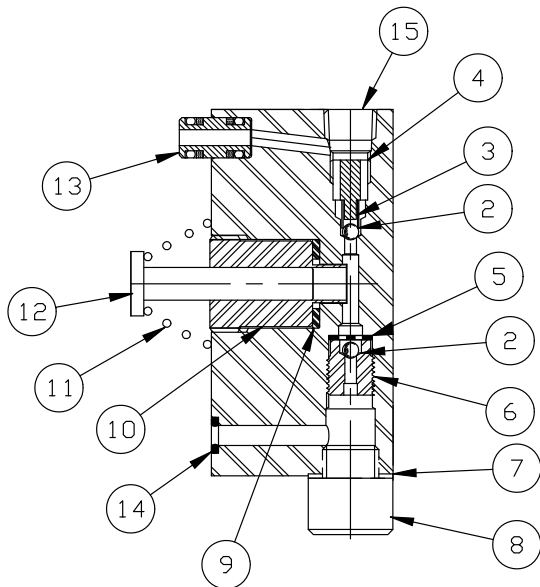
Repair Parts List (Refer to figure 6)			
Item	Part Number	Qty.	Description
1	43765E	1	Unload Piston
2	5602009E	1	O-Ring
3	43768E	1	Back-Up Washer
4	43686E	1	Roll Pin

Figure 7 - 69082SR Eccentric Shaft Assembly



Repair Parts List (Refer to figure 7)			
Item	Part Number	Qty.	Description
1	68859E	1	Eccentric Shaft
2	69081SR	1	Bearing
3	69475E	2	Bearing Washer
4	67863E	1	Retaining Ring
5	90548E	1	Ball

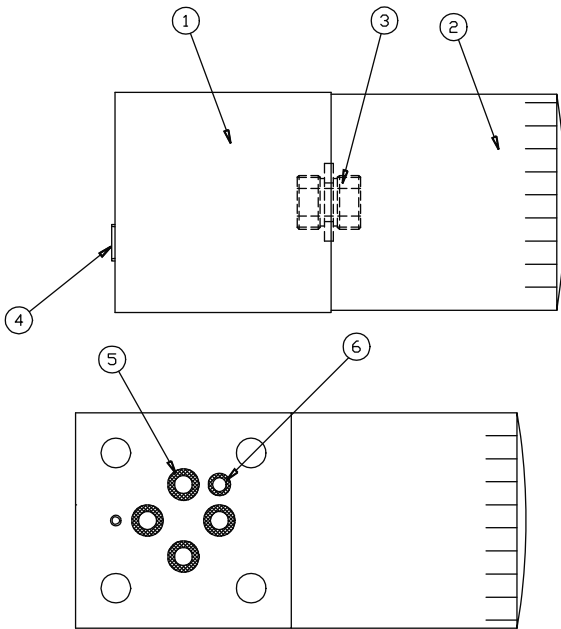
Figure 8 - 68502SR Piston Block Assembly



Repair Parts List (Refer to figure 8)			
Item	Part Number	Qty.	Description
2	90906E	2	Ball 1/8"
3	66042E	1	Spring
4	68810E	1	Ball Stop
5	66043E	1	Ball Retainer
6	66046E	1	Intake Seat
7	86269E	1	Gasket 29/64" x 5/8"
8	68825E	1	Plug, Piston Block
9	85726E	1	Gasket 25/64 x 19/32"
10	68945E	1	Adaptor .225 Dia.
11	68340E	1	Spring, Piston
12	67868E	1	Piston, .225 Dia.
13	68970SR	1	Adapter Assy.
14	★5602008E	1	O-Ring 3/16 x 5/16"
15	81093E	1	Pipe Plug 1/8" Flush

★Included in Repair Kit 54177K.

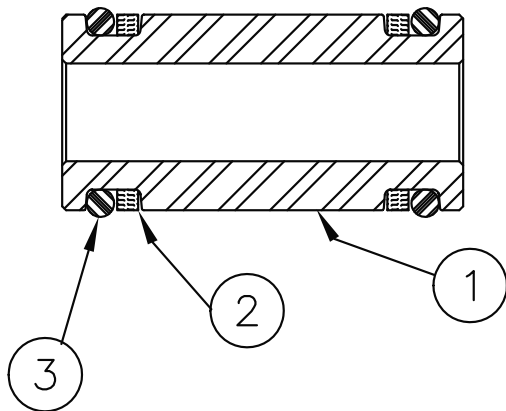
Figure 9 - 69740USR Filter Block Assembly



Repair Parts List (Refer to figure 9)

Item	Part Number	Qty.	Description
1	69546E	1	Filter Block
2	69670E	1	Oil Filter Power Pump
3	69144E	1	Adapter Filter
4	93950E	2	1/4" Soc Pipe Plug
5	56020112E	4	O-Ring 5/16 x 7/16" URE
6	5602008E	1	O-Ring 3/16 x 5/16"

Figure 10 - 68963SR Adapter Assembly

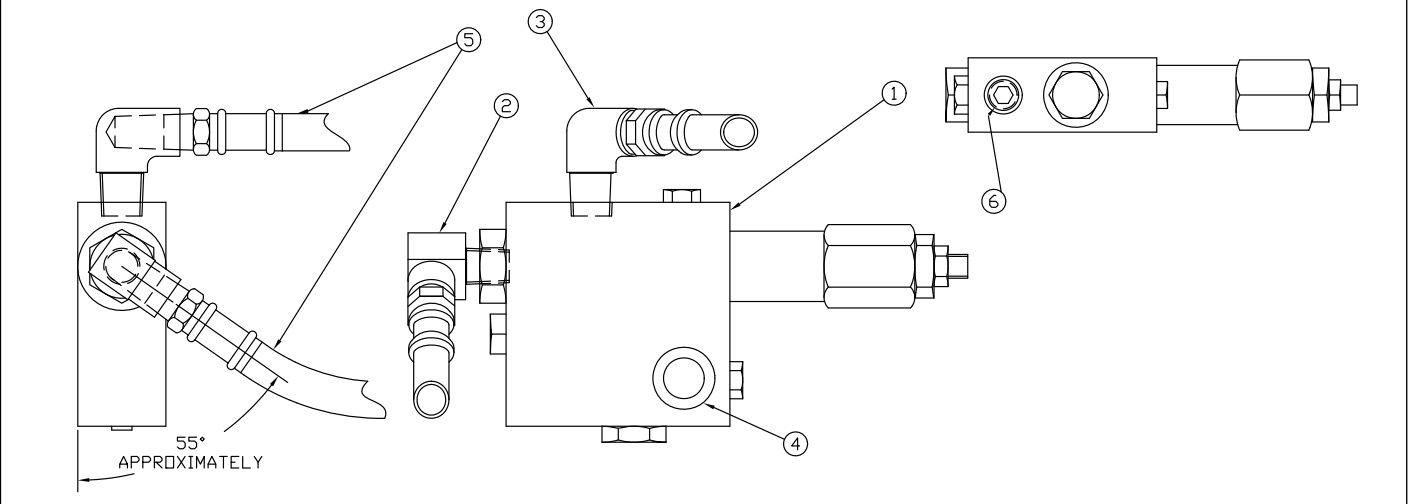


Repair Parts List (Refer to figure 10)

Item	Part Number	Qty.	Description
1	88073E	2	Valve Adapter
2	★ 65881E	2	B-U Ring
3	5602012E	1	Valve Adapter

★Included in Repair Kit 54177K.

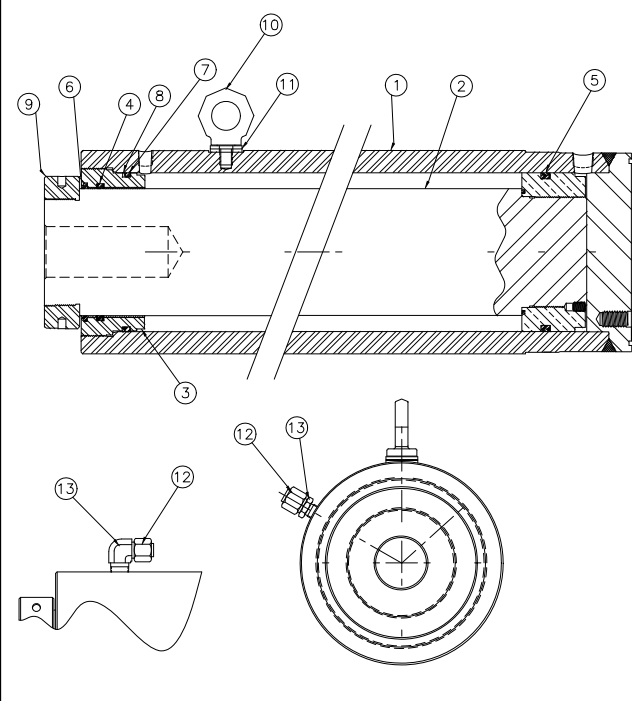
Figure 11 - 42353SR OC Valve Subassembly



Repair Parts List (Refer to figure 11)			
Item	Model	Qty.	Description
1	69522MSR	1	O.C. Valve Asm New PR
2	18970E	1	Elbow 1/4" 90 Deg Strt
3	42352E	1	Elbow 1/4-3/8" 90 Strt
4	68183E	2	Gasket-Plug
5	42354E	2	Hose 1/4 x 17" Nw PR
6	84084E	1	3/8" Pipe Plug - Flush
N/S	94414E	1	Ball 7/16"

N/S = Not Shown.

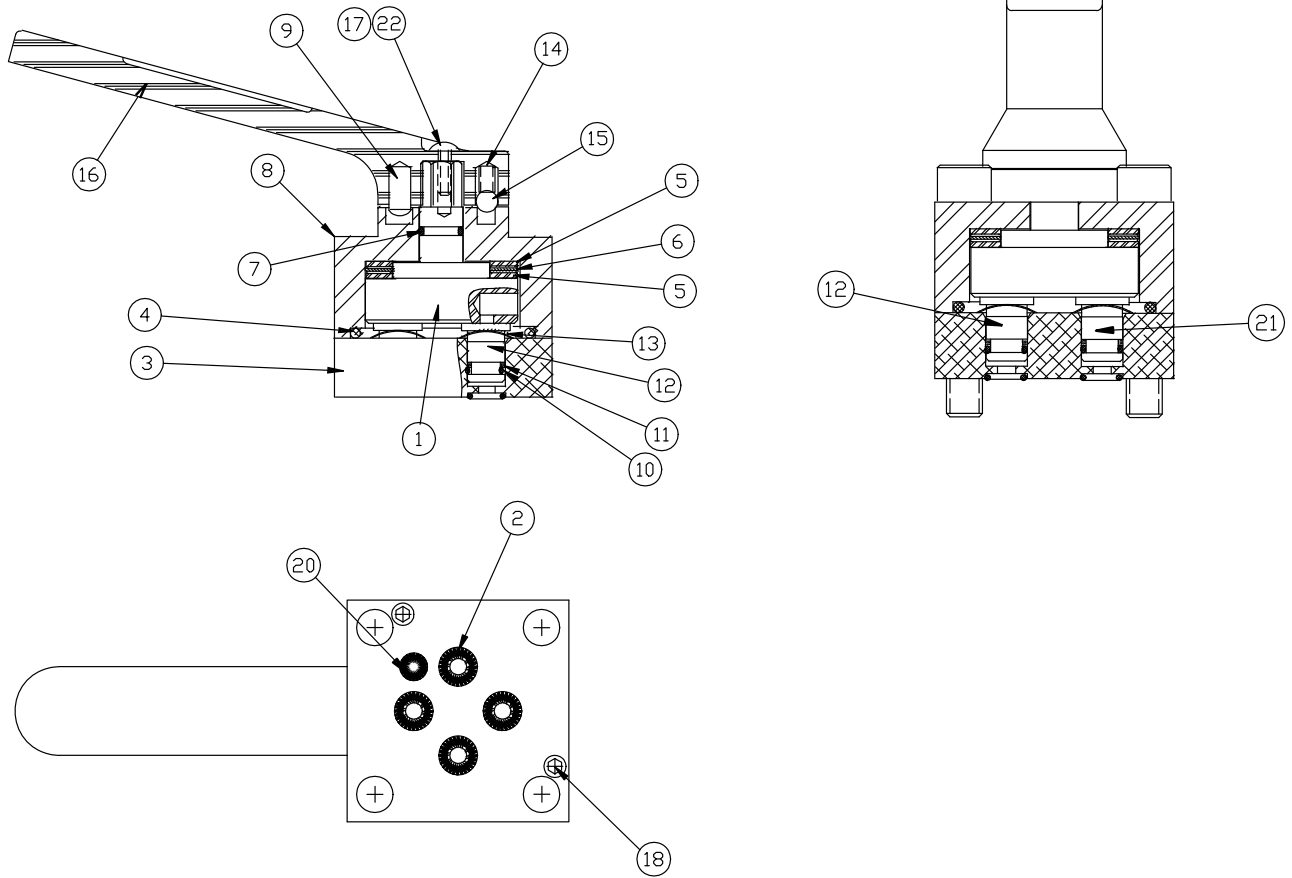
Figure 12 - 41917SR, 42430SR Cylinder Assembly



Repair Parts List (Refer to figure 12)				
Model	PREM_10016L (all versions)	PREM_10027L (all versions)		
Item	Asm. 41917SR	Asm. 42430SR	Qty.	Description
1	41918E	42429E	1	Cylinder Weldment
2	41921SR	42427SR	1	Piston Rod Asm.
3	41924E	41924E	1	100 Ton Head Gland
4	*	*	1	T-Seal Rod 4" Dia
5	*	*	1	T-Seal Piston 5-1/4"
6	*	*	1	Wiper 4" Rod Dia
7	*	*	1	O-Ring 5" x 5-1/4"
8	*	*	1	B-U Washer
9	41925E	41925E	1	Ring
10	N/A	43308E	1	Swivel Eye Bolt 1/2"
11	N/A	44888E	1	Washer Eyebolt
12	45664E	45664E	1	O-Ring Face Seal Plug
13	44865E	45666E	1	O-Ring Ftg, 3/8" NPT

* Included in 54401K Repair Kit. N/A = Not Available.

Figure 13 - 69101SR 4-Way Manual Valve Subassembly



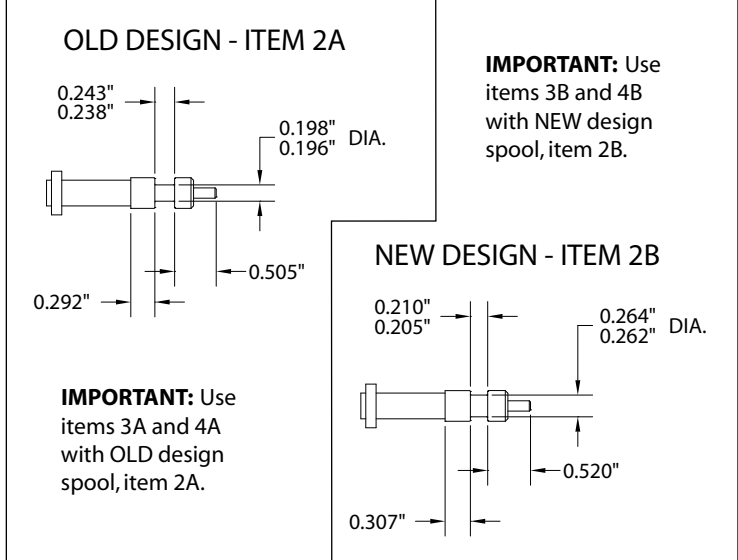
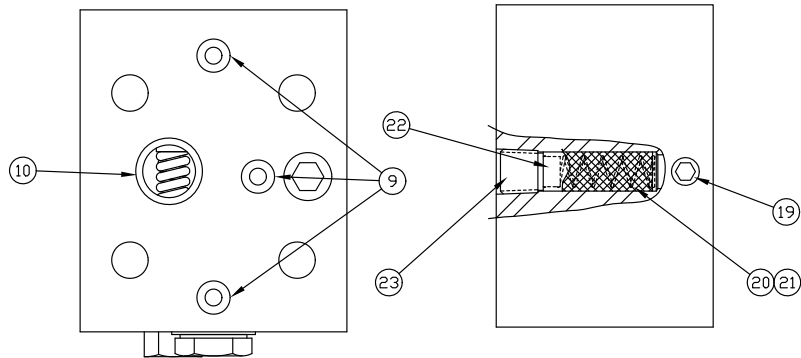
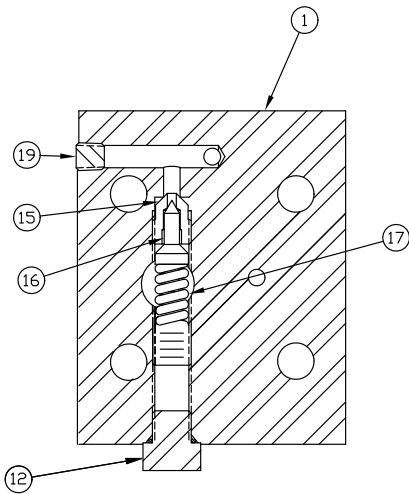
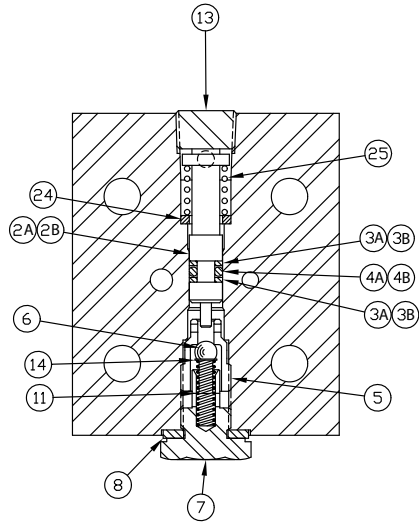
Repair Parts List (Refer to figure 13)

Item	Part Number	Qty.	Description	Item	Part Number	Qty.	Description
1	43762E	1	Valve Rotor	12	68029E	1	Shear Seal
2	* 56020112E	4	O-Ring	13	68028E	3	Spring Washer
3	68180E	1	Subplate - Valve	14	68025E	1	Detent Spring
4	* 5602225E	1	O-Ring	15	92549E	1	Ball
5	68026E	2	Thrust Washer	16	69091E	1	Valve Handle
6	68155E	1	Thrust Bearing	17	44595E	1	Screw
7	* 5602012E	1	O-Ring	18	85317E	2	Screw
8	69135E	1	Upper Valve Block	N/S	93598E	4	Screw
9	93804E	1	Drive Lok Pin	20	5602008E	1	O-Ring
10	* 5602011E	3	O-Ring	21	68181E	2	Shear Seal
11	* 65882E	3	Washer	22	Y0010765E	1	Lockwasher

N/S = Not Shown. * Included in Valve Kit 54490K.

Figure 14 - 42480SR Locking Valve Subassembly (with relief)

SPOOL AND SEAL REPLACEMENT INFORMATION

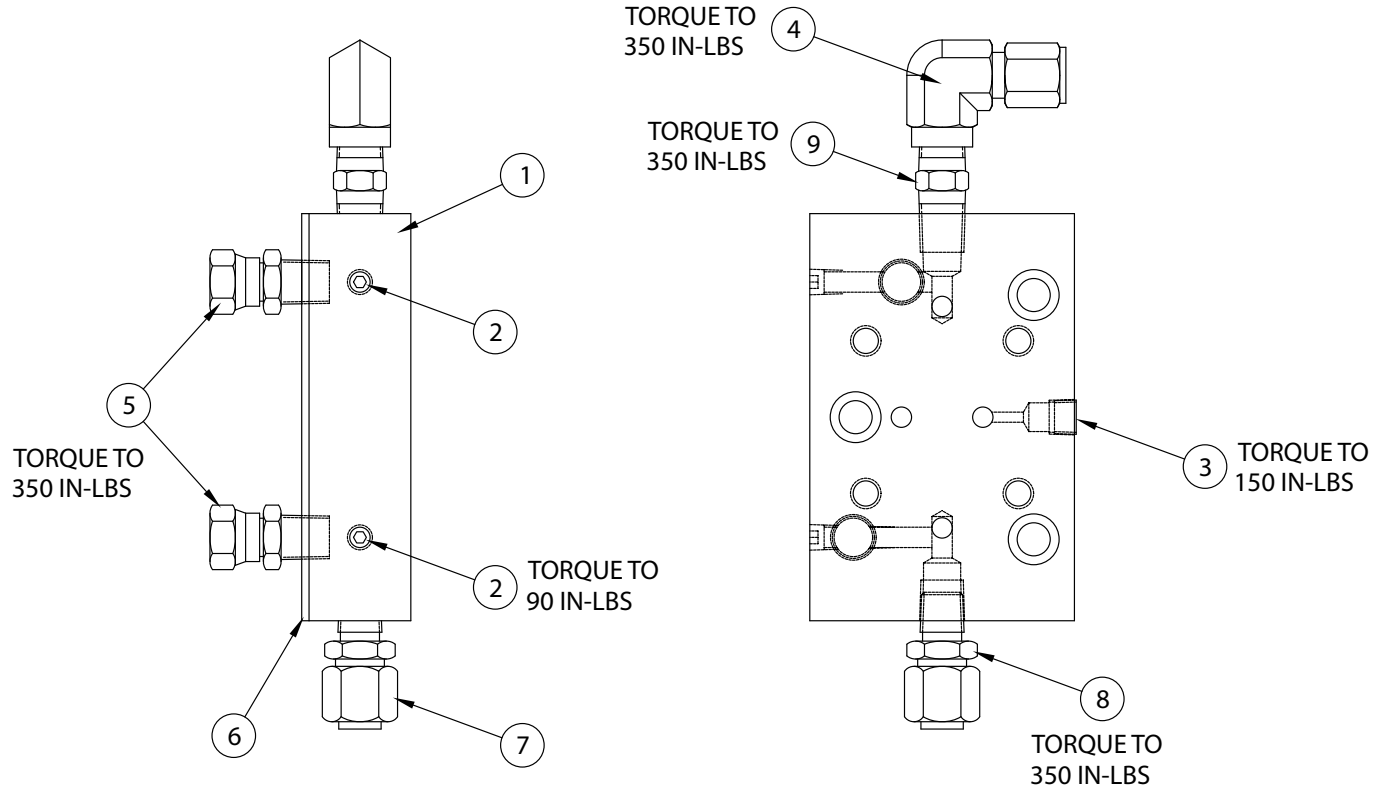


Note: Old design spool (2A) must be replaced with new design spool (2B) if it is worn or damaged. Old design spool (2A) is no longer available.

Repair Parts List (Refer to figure 14)							
Item	Part Number	Qty.	Description	Item	Part Number	Qty.	Description
1	42307E	1	Locking Valve Body - Relief	12	68258E	1	Plug SAE #4
2A	(not available)	1	Spool Piston (old design)	13	84084E	1	Spring Washer
2B	42727E	1	Spool Piston (new design)	14	69870E	1	Spring Eyelet Lock
3A	5608106E	2	Backup Washer 8-106	15	▲68004E	1	Seat - Ext Relief
3B	✚43927E	2	Backup Washer TEF -010	16	▲68003E	1	Cone - Ext Relief
4A	5602106E	1	O-Ring 3/16 x 3/8"	17	▲66085E	1	Spring - Relief Valve
4B	✚B1005503	1	O-Ring 1/4 x 3/8"	18	66083E	1	Relief Valve Adjusting Scr.
5	68590E	1	Seat	19	40049E	3	1/16" Pipe Plug - Flush
6	92526E	1	Ball 9/32"	20	69518E	1	Screen O.C. Valve
7	69508E	1	Plug - Adapt P.R. Lock	21	42423E	1	Screen O.C. Valve
8	68183E	1	Gasket - Plug	22	69517E	1	Screen Cap
9	56020102E	3	O-Ring 1/4 x 3/8" Ureth	23	82522E	1	Pipe Plug 1/4" Flush
10	56020162E	1	O-Ring 5/8 x 3/4" Ureth	24	42726E	1	Washer PR Lock Block
11	68870E	1	Compression Spring	25	68871E	1	Compression Spring

▲ Included in 55057K Relief Kit. ✚ Included with item 2B

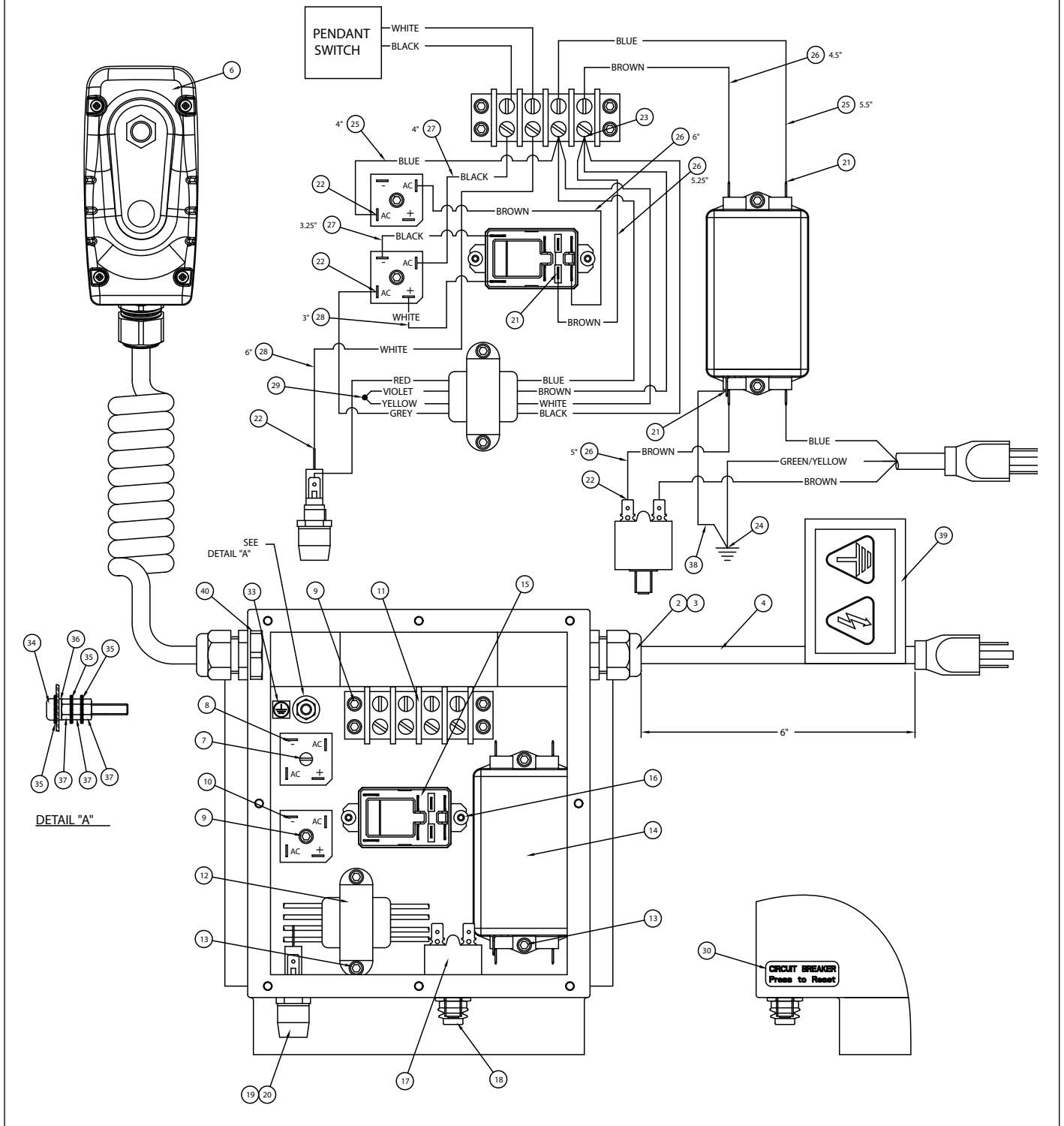
Figure 15 - 69749SR Manifold Assembly



Repair Parts List (Refer to figure 15)

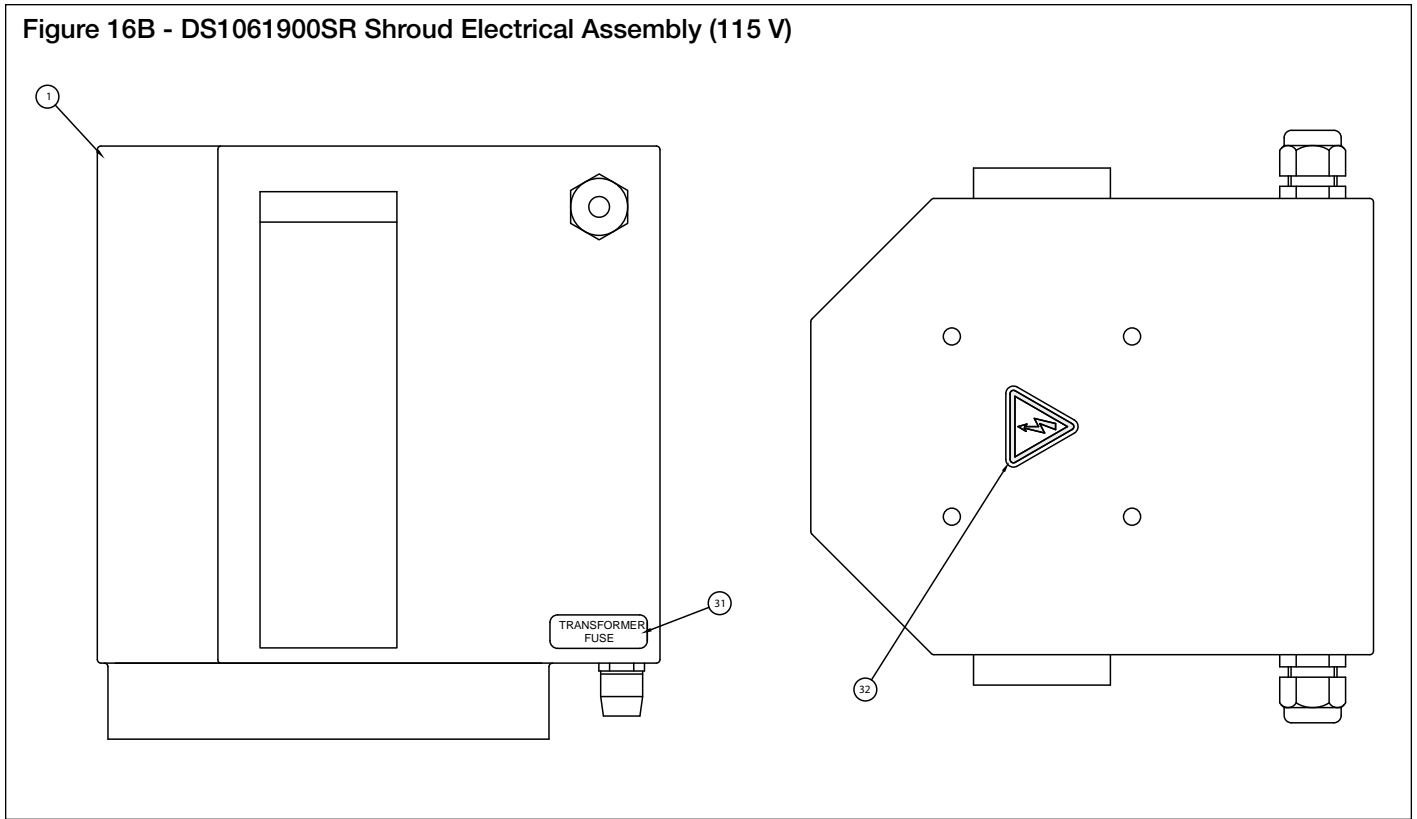
Item	Part Number	Qty.	Description	Item	Part Number	Qty.	Description
1	69429E	1	Manifold Pow'r Riser	6	69510E	1	Gasket, Valve Pow'r Risers
2	40049E	2	1/16" Pipe Plug - Flush	7	45664E	1	O-Ring Face Seal Plug
3	81093E	1	Pipe Plug 1/8" Flush	8	45663E	1	O-Ring Face Tube Ftg 1/4"
4	43166E	1	Elbow 90 3/8 - 1/4"	9	4100067E	1	Nipple 1/4"
5	41964E	2	Swivel Fitting				

Figure 16A - DS1061900SR Shroud Electrical Assembly (115 V)



WARNING: High voltage. Disconnect power cord from electrical outlet before beginning any repairs.

Figure 16B - DS1061900SR Shroud Electrical Assembly (115 V)

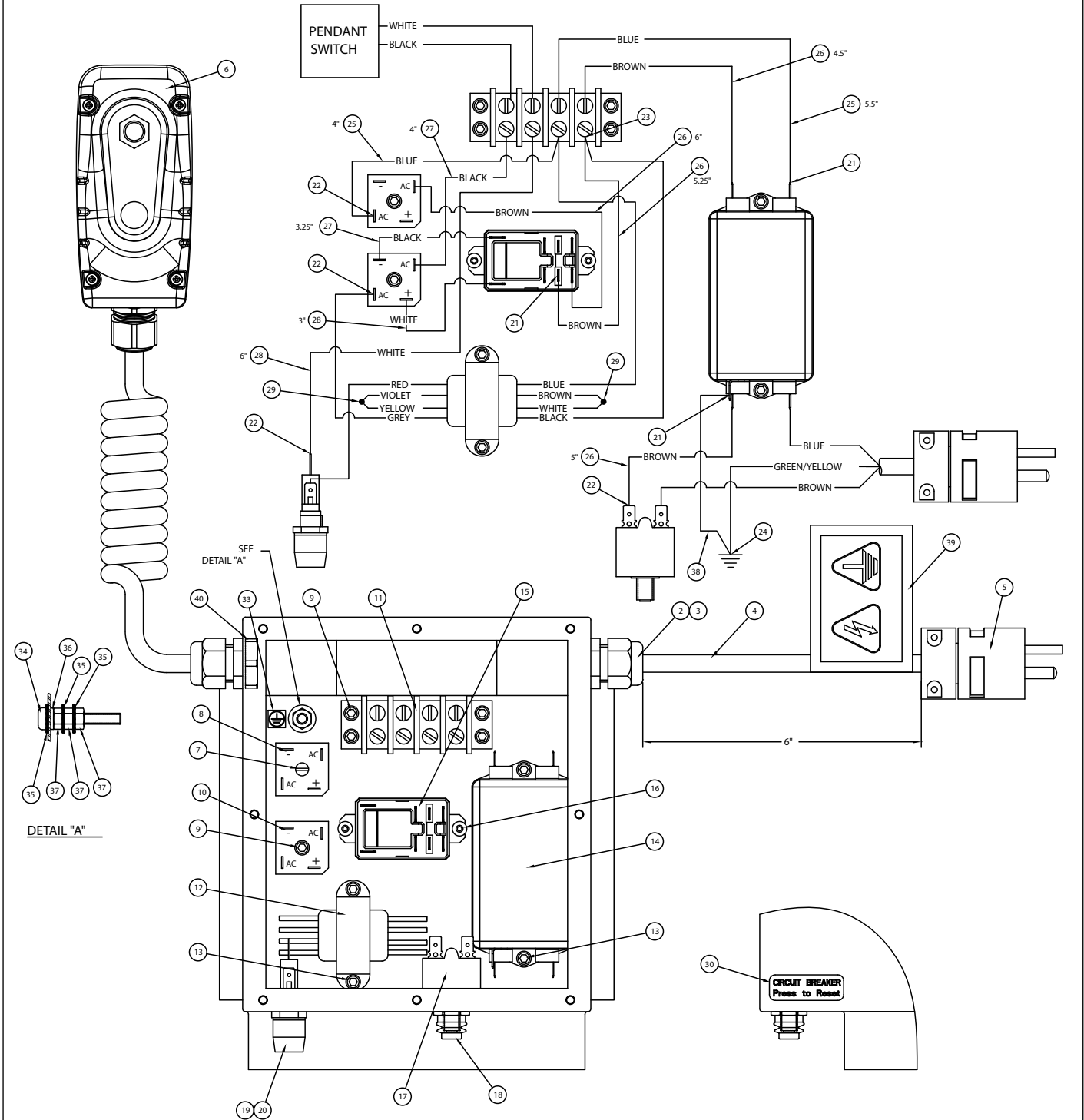


Repair Parts List (Refer to figure 16A and 16B)

Item	Part Number	Qty.	Description	Item	Part Number	Qty.	Description
1	DS1054424E	1	Shroud	22	65888E	10	Terminal, Push On
2	68375E	1	Fitting, Cord, L-Tight	23	65887E	6	Spade, Terminal
3	85510E	1	Locknut, 1/2 inch	24	69917E	2	Ring, Terminal
4	68595E	1	Plug and Cord Assy.	25	DS1065452E	A/R	Wire #14GA Strand Blue
6	(See Fig. 21)	1	Pendant Assy.	26	46676E	A/R	Wire #14GA Brown
7	88032E	1	RHMS 10-32 5/8" Lg.	27	68261BE	A/R	Wire #14GA Black
8	DS1244380E	1	Bridge Rectifier 1600V	28	68262BE	A/R	Wire #14GA White
9	66805E	5	SHCS 10-32 x 1/2" Lg.	29	68093E	1	Wire Nut, Blue
10	68623E	1	Bridge Rectifier 25A	30	DC8237026E	1	Decal, CB Reset
11	69599E	1	Terminal Strip	31	DS1169026E	1	Decal, Transformer Fuse
12	68717E	1	Transformer	32	DC9922026E	1	Decal, High Voltage
13	45175E	4	SHCS 10-32 x 1/4" Lg. Plt.	33	DC8119026E	1	Decal, ZE Ground
14	DS1051380	1	EMI Filter	34	DC9984028E	1	M6 x 40 Pan Hd. Screw
15	DS1064980	1	Relay, 30A/250V 12VDC	35	CCE1060108E	3	Star Washer, 6mm Zinc
16	81145E	2	BHCS 8-32 x 1/4" Lg.	36	CAE1060108-1AE	1	Flat Washer, 6mm Zinc
17	DS1058380E	1	Circuit Breaker, 20A	37	CBE1060120-1DE	3	Nut, M6
18	DC8200380E	1	Reset Cap, Circuit Breaker	38	DS1066452E	A/R	Wire #14GA Green/Yellow
19	69754E	1	Fuse Holder, 250V	39	DD1651026E	1	Decal, Electric Shock
20	68170E	1	Fuse	40	DC9538021E	1	Locking Nut, 20mm
21	44491E	9	Flag, Quick-Disc. Blue				

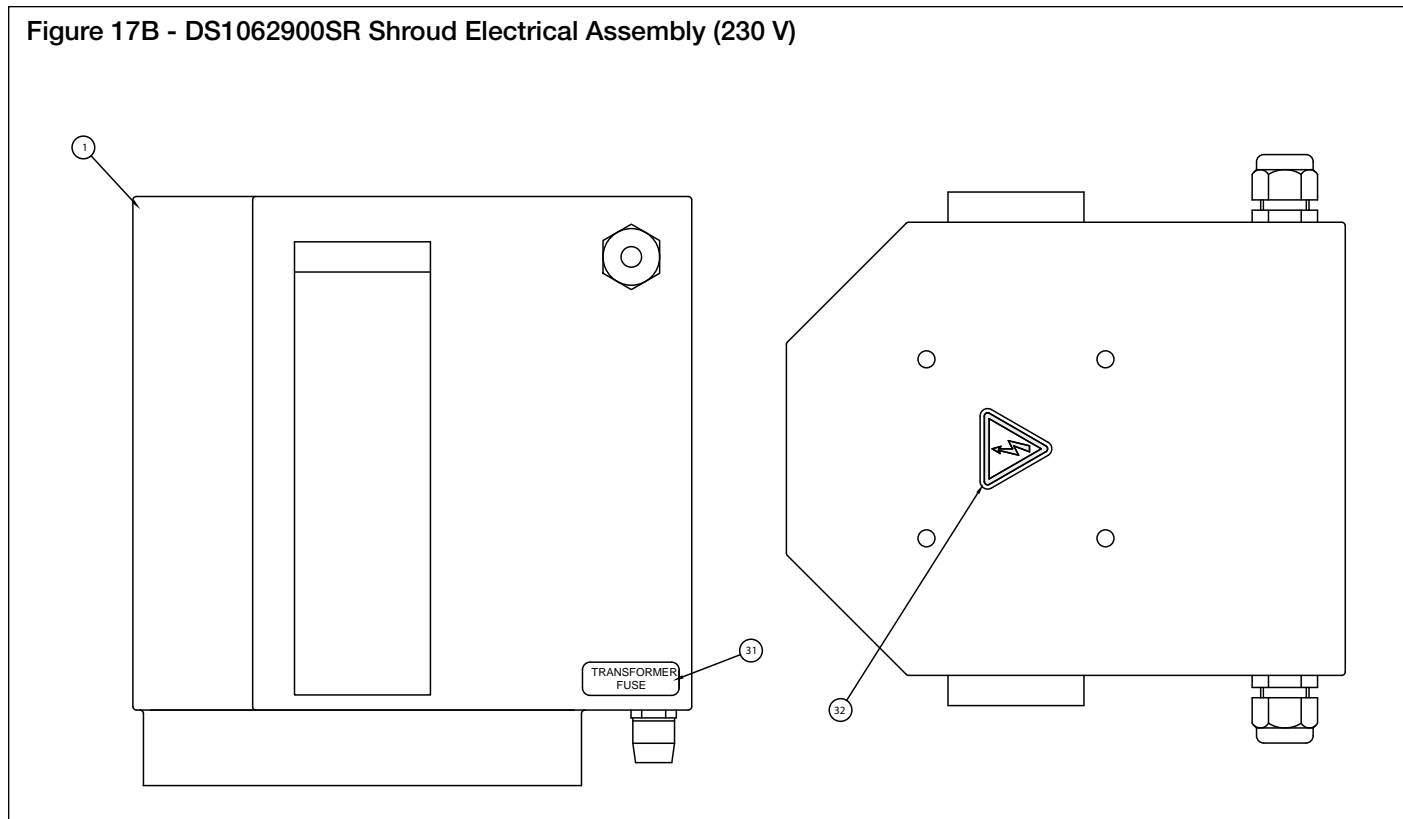
A/R = As Required

Figure 17A - DS1062900SR Shroud Electrical Assembly (230 V)



WARNING: High voltage. Disconnect power cord from electrical outlet before beginning any repairs.

Figure 17B - DS1062900SR Shroud Electrical Assembly (230 V)

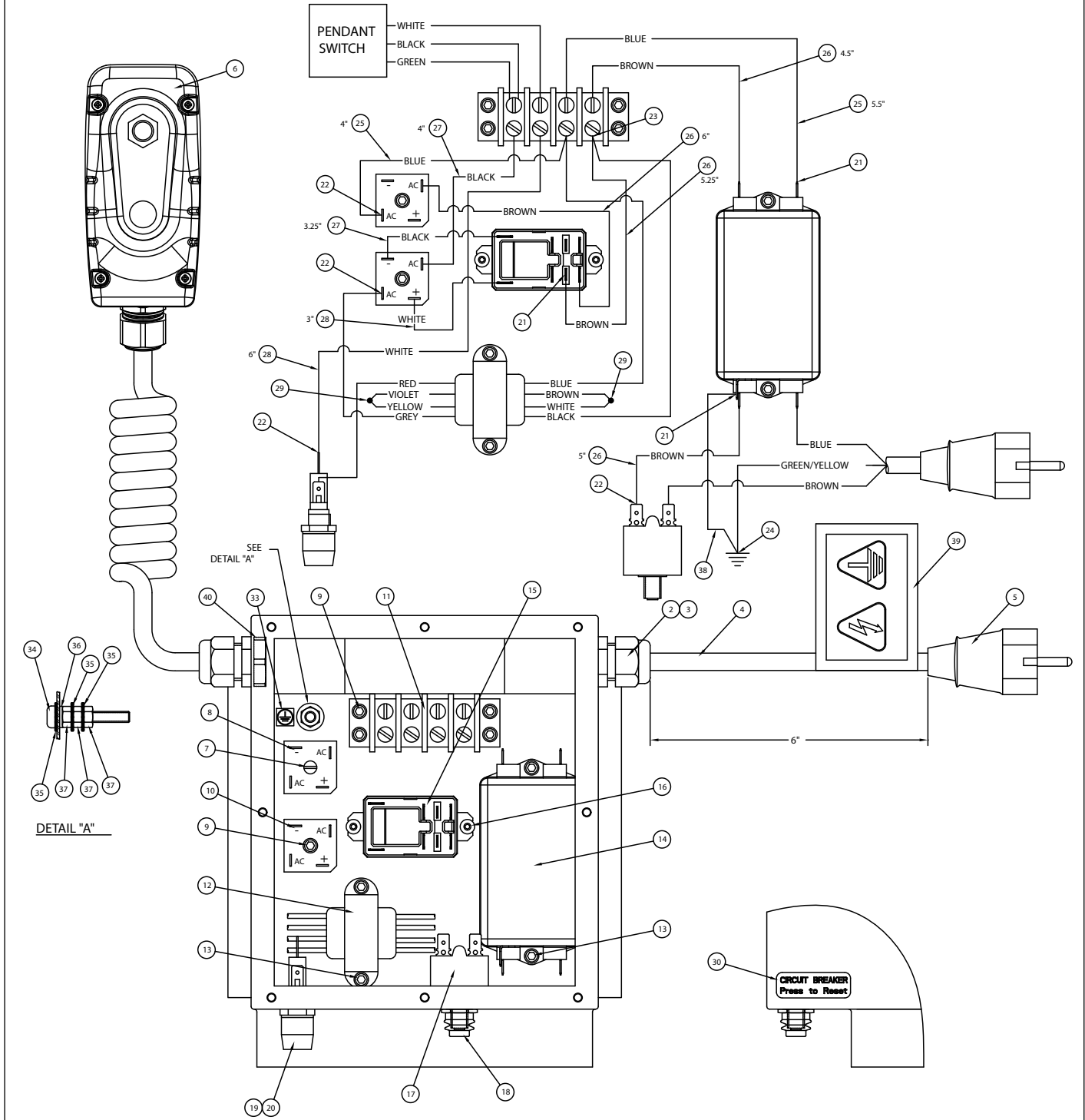


Repair Parts List (Refer to figure 17A and 17B)

Item	Part Number	Qty.	Description	Item	Part Number	Qty.	Description
1	DS1054424E	1	Shroud	21	44491E	9	Flag, Quick-Disc. Blue
2	68375E	1	Fitting, Cord, L-Tight	22	65888E	10	Terminal, Push On
3	85510E	1	Locknut, 1/2 inch	23	65887E	6	Spade, Terminal
4	69604RE	1	Power Cord, 1.6 Ft. Lg.	24	69917E	2	Ring, Terminal
5	87093E	1	Plug 20 Amps-250V	25	DS1065452E	A/R	Wire #14GA Strand Blue
6	(See Fig. 21)	1	Pendant Assy.	26	46676E	A/R	Wire #14GA Brown
7	88032E	1	RHMS 10-32 5/8" Lg.	27	68261BE	A/R	Wire #14GA Black
8	DS1244380E	1	Bridge Rectifier 1600V	28	68262BE	A/R	Wire #14GA White
9	66805E	5	SHCS 10-32 x 1/2" Lg.	29	68093E	2	Wire Nut, Blue
10	68623E	1	Bridge Rectifier 25A	30	DC8237026E	1	Decal, CB Reset
11	69599E	1	Terminal Strip	31	DS1169026E	1	Decal, Transformer Fuse
12	68717E	1	Transformer	32	DC9922026E	1	Decal, High Voltage
13	45175E	4	SHCS 10-32 x 1/4" Lg. Plt.	33	DC8119026E	1	Decal, ZE Ground
14	DS1051380	1	EMI Filter	34	DC9984028E	1	M6 x 40 Pan Hd. Screw
15	DS1064980	1	Relay, 30A/250V 12VDC	35	CCE1060108-6AE	3	Star Washer, 6mm Zinc
16	81145E	2	BHCS 8-32 x 1/4" Lg.	36	CAE1060108-1AE	1	Flat Washer, 6mm Zinc
17	DC8309380E	1	Circuit Breaker, 12A	37	CBE1060120-1DE	3	Nut, M6
18	DC8200380E	1	Reset Cap, Circuit Breaker	38	DS1066452E	A/R	Wire #14GA Green/Yellow
19	69754E	1	Fuse Holder, 250V	39	DD1651026E	1	Decal, Electric Shock
20	68170E	1	Fuse	40	DC9538021E	1	Locking Nut, 20mm

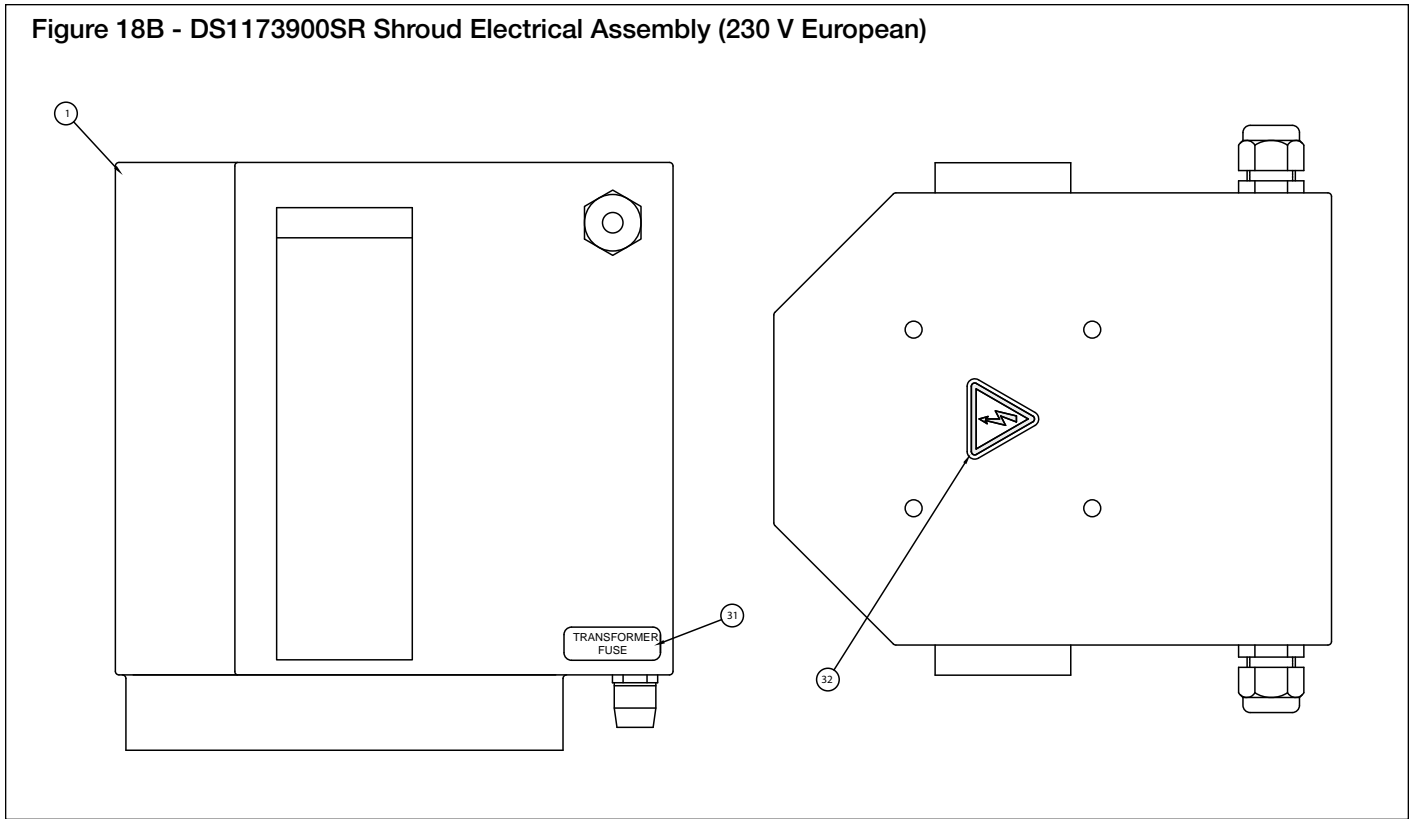
A/R = As Required

Figure 18A - DS1173900SR Shroud Electrical Assembly (230 V European)



WARNING: High voltage. Disconnect power cord from electrical outlet before beginning any repairs.

Figure 18B - DS1173900SR Shroud Electrical Assembly (230 V European)

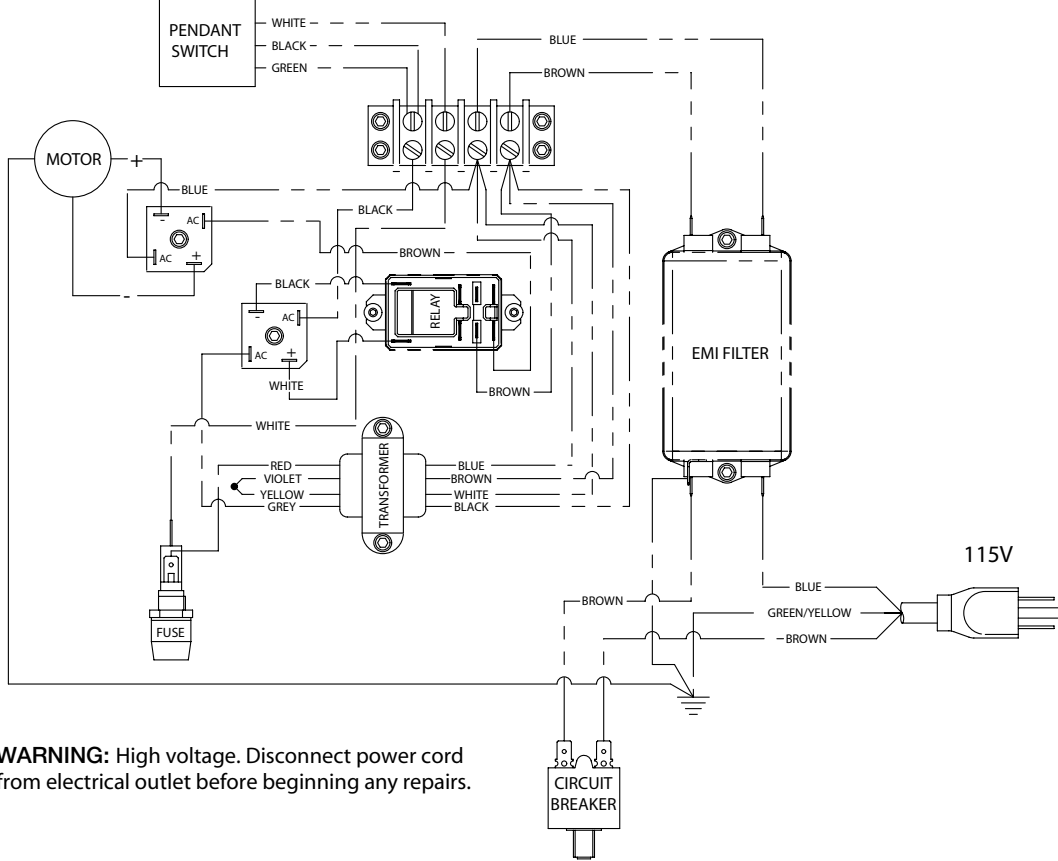


Repair Parts List (Refer to figure 18A and 18B)

Item	Part Number	Qty.	Description	Item	Part Number	Qty.	Description
1	DS1054424E	1	Shroud	21	44491E	9	Flag, Quick-Disc. Blue
2	68375E	1	Fitting, Cord, L-Tight	22	65888E	10	Terminal, Push On
3	85510E	1	Locknut, 1/2 inch	23	65887E	6	Spade, Terminal
4	69604RE	1	Power Cord, 1.6 Ft. Lg.	24	69917E	2	Ring, Terminal
5	69778E	1	Plug 16 A, 250V European	25	DS1065452E	A/R	Wire #14GA Strand Blue
6	(See Fig. 21)	1	Pendant Assy.	26	46676E	A/R	Wire #14GA Brown
7	88032E	1	RHMS 10-32 5/8" Lg.	27	68261BE	A/R	Wire #14GA Black
8	DS1244380E	1	Bridge Rectifier 1600V	28	68262BE	A/R	Wire #14GA White
9	66805E	5	SHCS 10-32 x 1/2" Lg.	29	68093E	2	Wire Nut, Blue
10	68623E	1	Bridge Rectifier 25A	30	DC8237026E	1	Decal, CB Reset
11	69599E	1	Terminal Strip	31	DS1169026E	1	Decal, Transformer Fuse
12	68717E	1	Transformer	32	DC9922026E	1	Decal, High Voltage
13	45175E	4	SHCS 10-32 x 1/4" Lg. Plt.	33	DC8119026E	1	Decal, ZE Ground
14	DS1051380	1	EMI Filter	34	DC9984028E	1	M6 x 40 Pan Hd. Screw
15	DS1064980	1	Relay, 30A/250V 12VDC	35	CCE1060108-6AE	3	Star Washer, 6mm Zinc
16	81145E	2	BHCS 8-32 x 1/4" Lg.	36	CAE1060108-1AE	1	Flat Washer, 6mm Zinc
17	DC8309380E	1	Circuit Breaker, 12A	37	CBE1060120-1DE	3	Nut, M6
18	DC8200380E	1	Reset Cap, Circuit Breaker	38	DS1066452E	A/R	Wire #14GA Green/Yellow
19	69754E	1	Fuse Holder, 250V	39	DD1651026E	1	Decal, Electric Shock
20	68170E	1	Fuse	40	DC9538021E	1	Locking Nut, 20mm

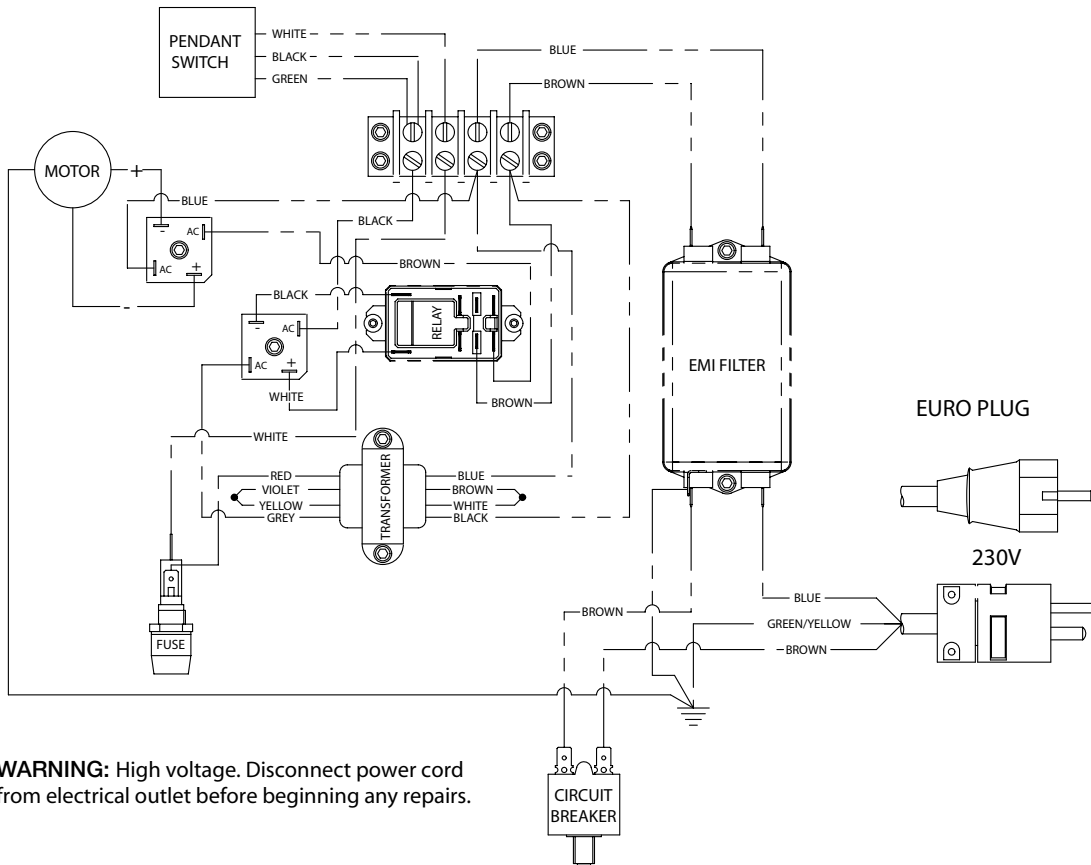
A/R = As Required

Figure 19 - 115 Volt Wiring Diagram



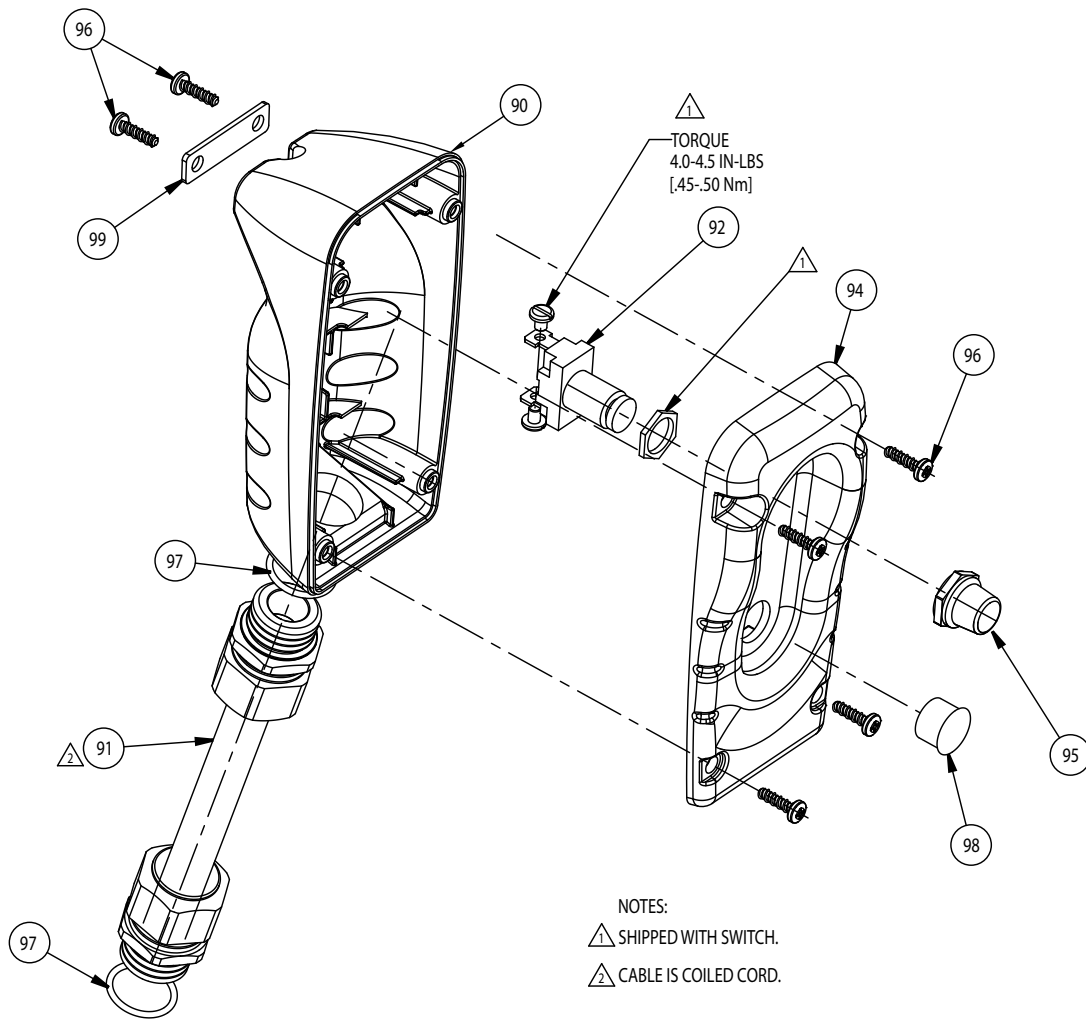
⚡ WARNING: High voltage. Disconnect power cord from electrical outlet before beginning any repairs.

Figure 20 - 230 Volt Wiring Diagram



⚡ WARNING: High voltage. Disconnect power cord from electrical outlet before beginning any repairs.

Figure 21 - DS1074900SR Pendant Assembly

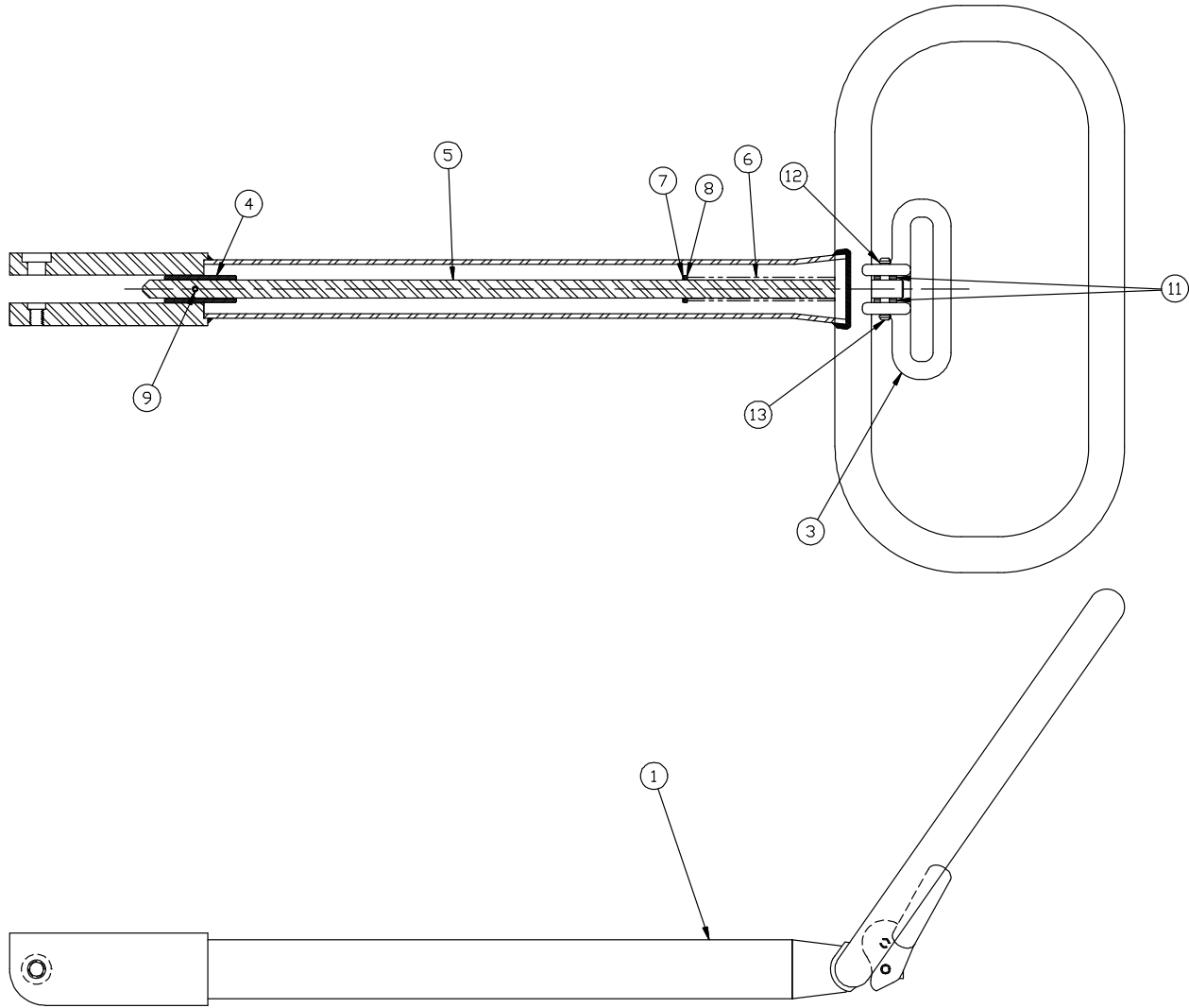


Repair Parts List for Figure 21

Item	Part Number	Qty.	Description	Item	Part Number	Qty.	Description
90	DC9425424E	1	Enclosure, Lower	96	DC9428008E	6	Screw, Hi-Low #8 x 1/2"
91	DS1075960E	1	Cable Assembly	97	B1223503E	2	O-Ring
92	DC8282379E	1	Pendant Button, NO	98	DC8228009E	1	Dome Plug
94	DC8122424E	1	Enclosure, Upper	99	DS1167101E	1	Plate, Pendant Hook
95	DC8284379E	1	Switch Cover				

Note: Pendant Assembly DS1074900SR includes all items shown above.

Figure 22 - 41961SR Upper Handle Assembly



Repair Parts List (Refer to figure 22)

Item	Part Number	Qty.	Description	Item	Part Number	Qty.	Description
1	41595E	1	Upper Weldment	8	41614E	1	Washer 9/16" ID x 3/32"
3	42368E	1	Handle Lock Lever	9	42497E	1	Roll Pin 5/32 x 7/8"
4	41600E	1	Sleeve	11	88429E	4	Washer SS 1/4"
5	41601E	1	Handle Rod	12	42340E	4	Pin Ring
6	41602E	1	Spring .656 x 9.50"	13	42338E	2	Pin Handle Lever
7	41613E	1	E-Ring .8/.82 x .042				

NOTES:

A large rectangular box with a thin black border, containing 20 horizontal lines for writing notes.

Enerpac Worldwide Locations

◆ e-mail: info@enerpac.com

◆ internet: www.enerpac.com

Australia and New Zealand

Actuant Australia Ltd.
Block V Unit 3
Regents Park Estate
391 Park Road
Regents Park NSW 2143
(P.O. Box 261) Australia
T +61 (0)2 9743 8988
F +61 (0)2 9743 8648
sales-au@enerpac.com

Brazil

Power Packer do Brasil Ltda.
Rua Luiz Lawrie Reid, 548
09930-760 - Diadema (SP)
T +55 11 5687 2211
F +55 11 5686 5583
Toll Free: 0800 891 5770
vendasbrasil@enerpac.com

Canada

Actuant Canada Corporation
6615 Ordan Drive, Unit 14-15
Mississauga, Ontario L5T 1X2
T +1 905 564 5749
F +1 905 564 0305
Toll Free:
T +1 800 268 4987
F +1 800 461 2456
customer.service@actuant.com

China

Actuant (China) Industries Co. Ltd.
No.6 Nanjing East Road,
Taicang Economic Dep Zone
Jiangsu, China
T +86 0512 5328 7500
F +86 0512 5335 9690
Toll Free: +86 400 885 0369
sales-cn@enerpac.com

France, Switzerland, North Africa and French speaking African countries

ENERPAC
Une division d'ACTUANT France S.A.
ZA de Courtaboeuf
32, avenue de la Baltique
91140 VILLEBON /YVETTE
France
T +33 1 60 13 68 68
F +33 1 69 20 37 50
sales-fr@enerpac.com

Germany and Austria

ENERPAC GmbH
P.O. Box 300113
D-40401 Düsseldorf
Willstätterstrasse 13
D-40549 Düsseldorf, Germany
T +49 211 471 490
F +49 211 471 49 28
sales-de@enerpac.com

India

ENERPAC Hydraulics Pvt. Ltd.
No. 1A, Peenya Industrial Area
IInd Phase, Bangalore, 560 058, India
T +91 80 40 792 777
F +91 80 40 792 792
sales-in@enerpac.com

Italy

ENERPAC S.p.A.
Via Canova 4
20094 Corsico (Milano)
T +39 02 4861 111
F +39 02 4860 1288
sales-it@enerpac.com

Japan

Applied Power Japan LTD KK
Besshocho 85-7
Kita-ku, Saitama-shi 331-0821, Japan
T +81 48 662 4911
F +81 48 662 4955
sales-jp@enerpac.com

Middle East, Egypt and Libya

ENERPAC Middle East FZE
Office 423, LOB 15
P.O. Box 18004, Jebel Ali, Dubai
United Arab Emirates
T +971 (0)4 8872686
F +971 (0)4 8872687
sales-ua@enerpac.com

Russia

Rep. office Enerpac
Russian Federation
Admirala Makarova Street 8
125212 Moscow, Russia
T +7 495 98090 91
F +7 495 98090 92
sales-ru@enerpac.com

Southeast Asia, Hong Kong and Taiwan

Actuant Asia Pte Ltd.
83 Joo Koon Circle
Singapore 629109
T +65 68 63 0611
F +65 64 84 5669
Toll Free: +1800 363 7722
sales-sg@enerpac.com

South Korea

Actuant Korea Ltd.
3Ba 717, Shihwa Industrial Complex
Jungwang-Dong, Shihung-Shi,
Kyunggi-Do
Republic of Korea 429-450
T +82 31 434 4506
F +82 31 434 4507
sales-kr@enerpac.com

Spain and Portugal

ENERPAC SPAIN, S.L.
Avda. Los Frailes, 40 – Nave C & D
Pol. Ind. Los Frailes
28814 Daganzo de Arriba
(Madrid) Spain
T +34 91 884 86 06
F +34 91 884 86 11
sales-es@enerpac.com

Sweden, Denmark, Norway, Finland and Iceland

Enerpac Scandinavia AB
Fabriksgatan 7
412 50 Gothenburg
Sweden
T +46 (0) 31 799 0281
F +46 (0) 31 799 0010
scandinavianinquiries@enerpac.com

The Netherlands, Belgium, Luxembourg, Central and Eastern Europe, Baltic States, Greece, Turkey and CIS countries

ENERPAC B.V.
Galvanistraat 115
6716 AE Ede
P.O. Box 8097
6710 AB Ede
The Netherlands
T +31 318 535 911
F +31 318 535 848
sales-nl@enerpac.com

Enerpac Integrated Solutions B.V.

Opaalstraat 44
7554 TS Hengelo
P.O. Box 421
7550 AK Hengelo
The Netherlands
T +31 74 242 20 45
F +31 74 243 03 38
integratedsolutions@enerpac.com

South Africa and other English speaking African countries

Enerpac Africa Pty Ltd.
No. 5 Bauhinia Avenue
Cambridge Office Park
Block E
Highveld Techno Park
Centurion 0157
South Africa
T: +27 12 940 0656

United Kingdom and Ireland

ENERPAC Ltd.,
Bentley Road South
Darlaston, West Midlands
WS10 8LQ
England
T +44 (0)121 50 50 787
F +44 (0)121 50 50 799
sales-uk@enerpac.com

USA, Latin America and Caribbean

ENERPAC
P.O. Box 3241
Milwaukee WI 53201 USA
T +1 262 293 1600
F +1 262 293 7036
User inquiries:
T +1 800 433 2766
Distributor inquiries/orders:
T +1 800 558 0530
F +1 800 628 0490
Technical inquiries:
techservices@enerpac.com
sales-us@enerpac.com

All Enerpac products are guaranteed
against defects in workmanship and
materials for as long as you own them.

For the location of your nearest authorized
Enerpac Service Center, visit us at
www.enerpac.com

012313