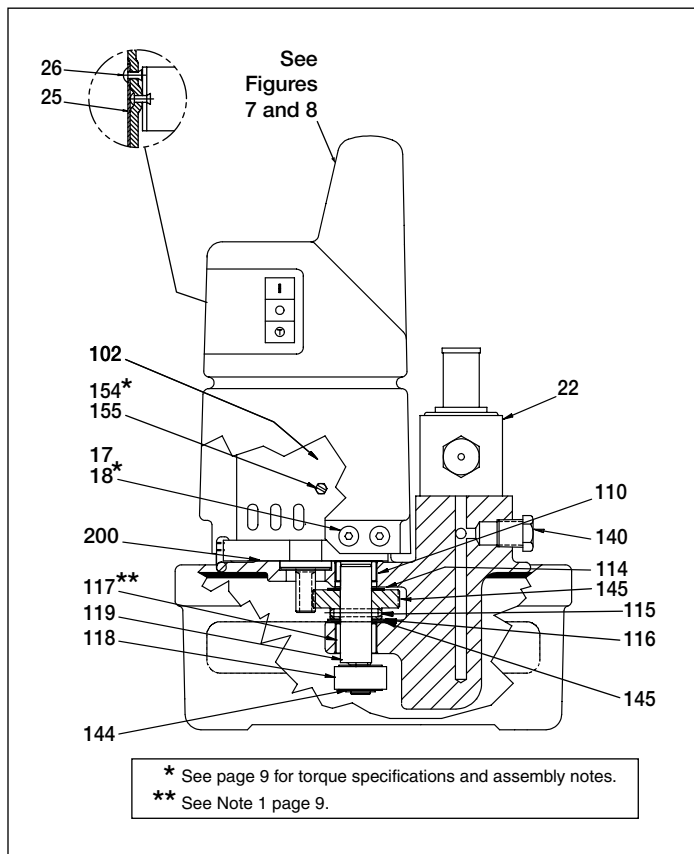
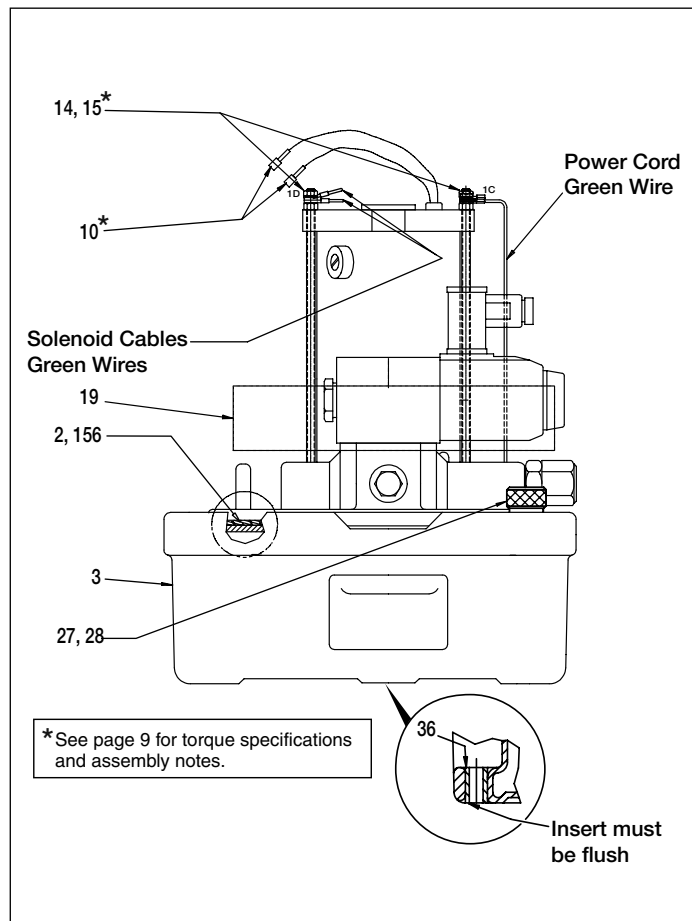


**Contents:**

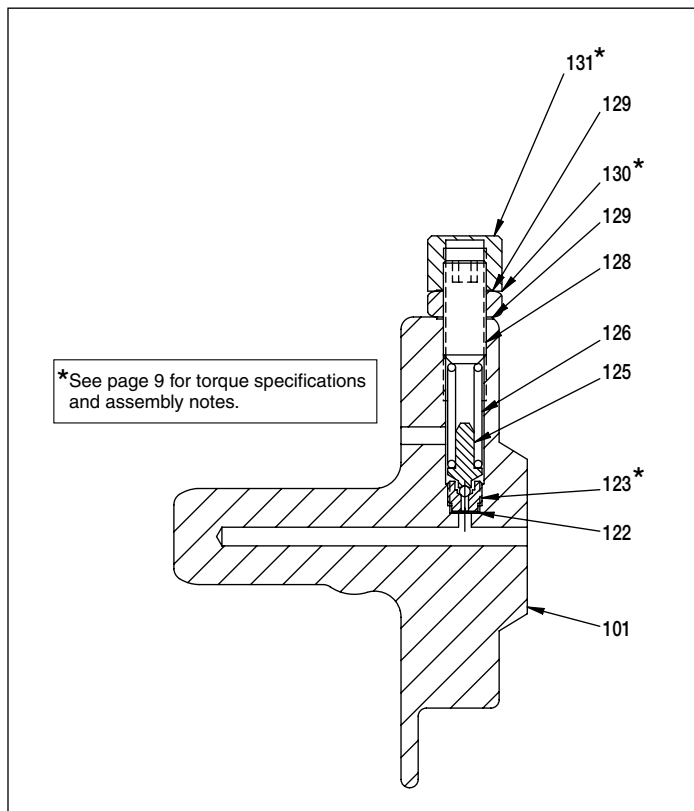
Figure 1 - Pump Side View .....	2	Figure 7 - Wiring Diagram .....	5
Figure 2 - Pump Front View (shroud removed).....	2	Figure 8 - Top View-Cord and Cables .....	6
Figure 3 - Relief Valve.....	2	Figure 9 - Remote Pendant Assembly .....	7
Figure 4 - Pump Bottom View .....	2	Figure 10 - Poppet Valve Assembly .....	8
Figure 5 - Pump Front View (assembled) .....	3	Figure 11 - Electrical Schematic .....	8
Figure 6 - Pump Top View .....	4		



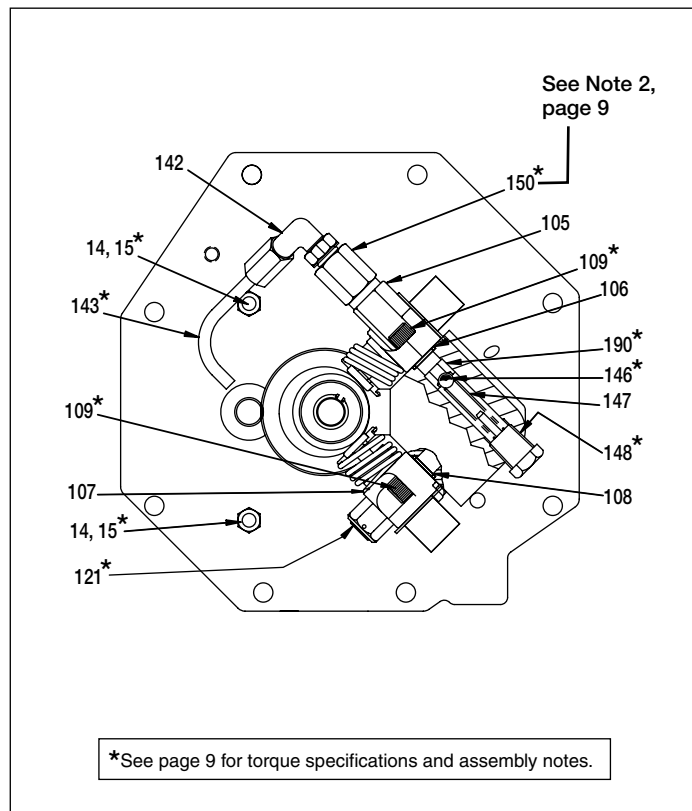
**Figure 1, Pump Side View**



**Figure 2, Pump Front View (shroud removed)**



**Figure 3, Relief Valve**



**Figure 4, Pump Bottom View**

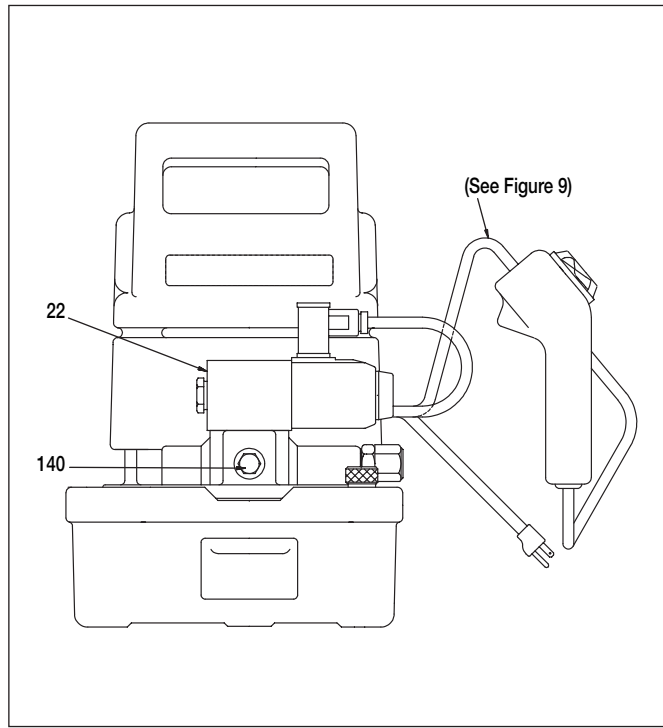


Figure 5, Pump Front View (assembled)

**Repair Parts List for Figures 1 through 5**

Item	Part Number	Qty.	Description
2	★ DA12088167SR	1	Gasket (Includes item 156)
3	DA1910900SR	1	Reservoir Assembly, 0.5 Gal.
	DA4780900SR		Reservoir Assembly, 1.0 Gal.
10	DA3776006	2	Pin
14	DA15066	4	Lock Washer
15	B1018121	4	Hex Nut
17	CW261225	6	Eyelet
18	F866028	6	Machine Screw
19	CW259298	1	Baffle
22	VSG2310P	1	115V Poppet Valve Ass'y
	VSG3510P	1	220V Poppet Valve Ass'y
25	Contact Enerpac	1	Nameplate
26	DC818003	4	Pop Rivet
27	DA608024	1	Vent Plug
28	★ B1906503	1	O-Ring
36	DA931225	2	Insert
101	DA12490840SR	1	Pump Manifold (includes # 121)
102	CW179259	1	115 VAC Motor
	DC1415259	1	220 VAC Motor (50 Hz)
105	CW298950SR	1	.53 Piston Block Assembly
106	★ B1007503	1	O-Ring
107	CW299950SR	1	.24 Piston Block Assembly
108	★ B1012803	1	O-Ring
109	B1010028X	4	Screw
110	CW252107	1	Bearing
114	CW301228	1	Driven Gear
115	★ B1097057	1	Spring Pin
116	★ CW199107	1	Bearing
117	CW251107	1	Bearing

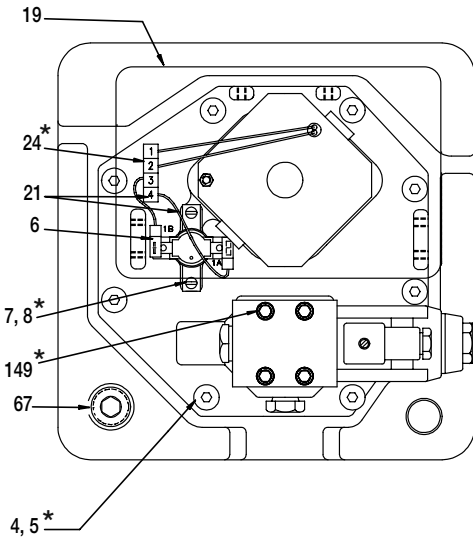
★ Included in Repair Kit PUD1100BK

Item	Part Number	Qty.	Description
118	CW302107	1	Bearing
119	CW303104	1	Shaft
121	DA5999900SR	1	Relief Valve (see Figure 4)
122	★ C846037	1	Gasket
123	★ DA5771290	1	Seat
125	DC1316900SR	1	Ball Guide Assembly
126	★ A109164	1	Compression Spring
128	DA252028	1	Adjusting Screw
129	★ S1167	1	Gasket
130	CW306055	1	Lock Nut
131	CW307055	1	Cap Nut
140	R515245-2	1	Plug
142	DA1011096	1	Elbow
143	DA261268	1	Tube
144	★ CW467044	1	Retaining Ring
145	★ DA445107	2	Bearing
146	★ B1007016	1	Ball
147	★ DA1564110	1	Spring
148	DC433950	1	Plug Assembly
149	B1020028	4	Cap Screw
150	DA610900SR	1	Relief Valve Assembly
154	★ CU876028	3	Screw (10-24)
155	DA3585186	3	Spacer
156	See item 2	1	Gasket
190	DA12352290	1	Ball Seat
200	★ DC1947167	1	Gasket

**Replacement Brushes for Electric Motor**

---	DA9655380	1	Brush Set for 115V Models
---	DA9656380	1	Brush Set for 220V Models

\* See page 9 for torque specifications and assembly notes.



**Figure 6, Pump Top View**

**Repair Parts List for Figure 6**

Item	Part Number	Qty.	Description
4	DA6954167	8	Gasket
5	DC2038028	8	Screw
6	E1100004	1	Thermostat
7	C701222	2	Washer
8	M642028	2	Screw
19	CW259298	1	Baffle
21	DC7969960	2	Wire Assembly
24	DA11540380	1	Pin Housing
67	A1009245	2	Plug
149	DD1074028	4	Cap Screw

PENDANT OR FOOT SWITCH

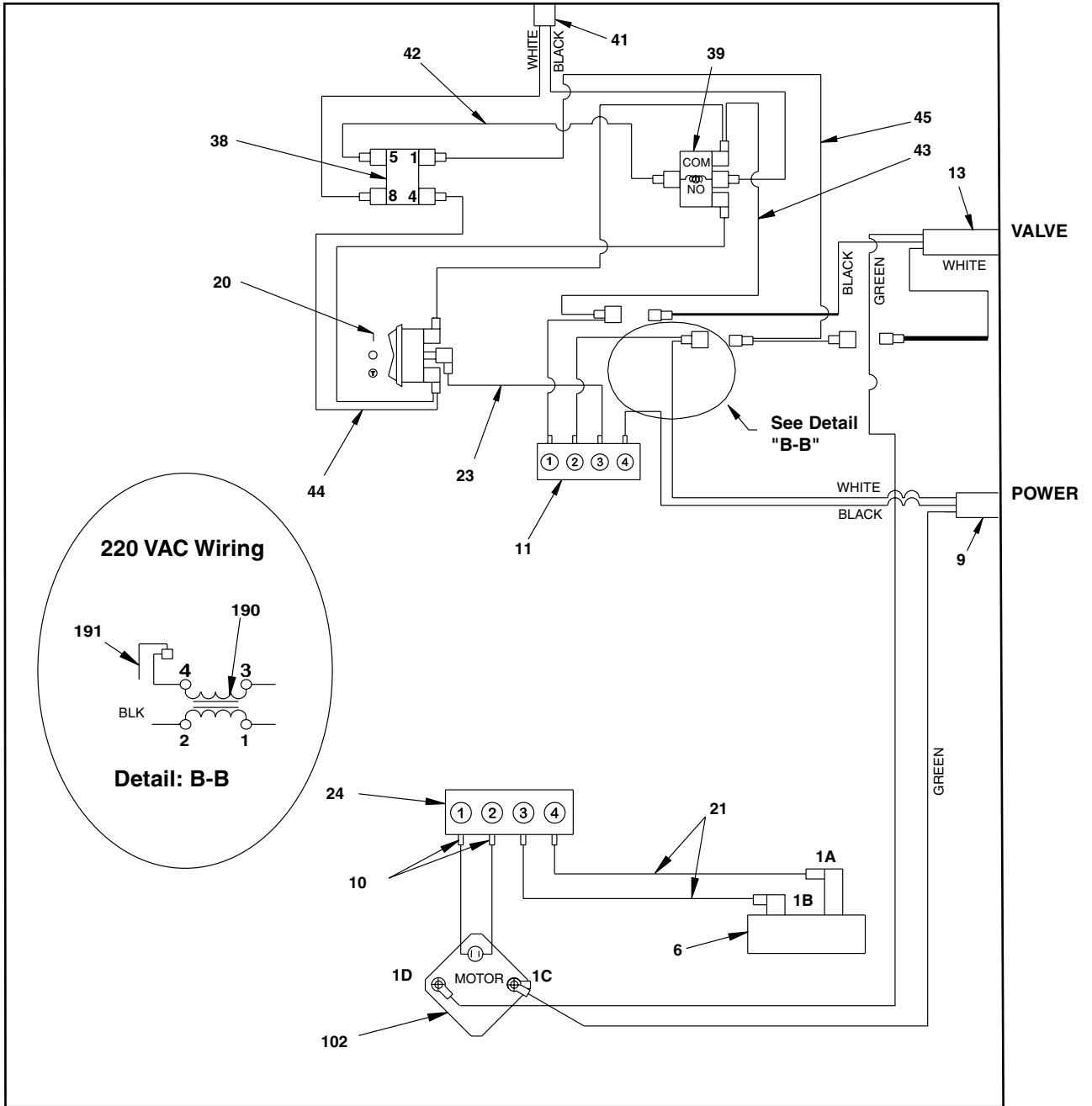


Figure 7, Wiring Diagram

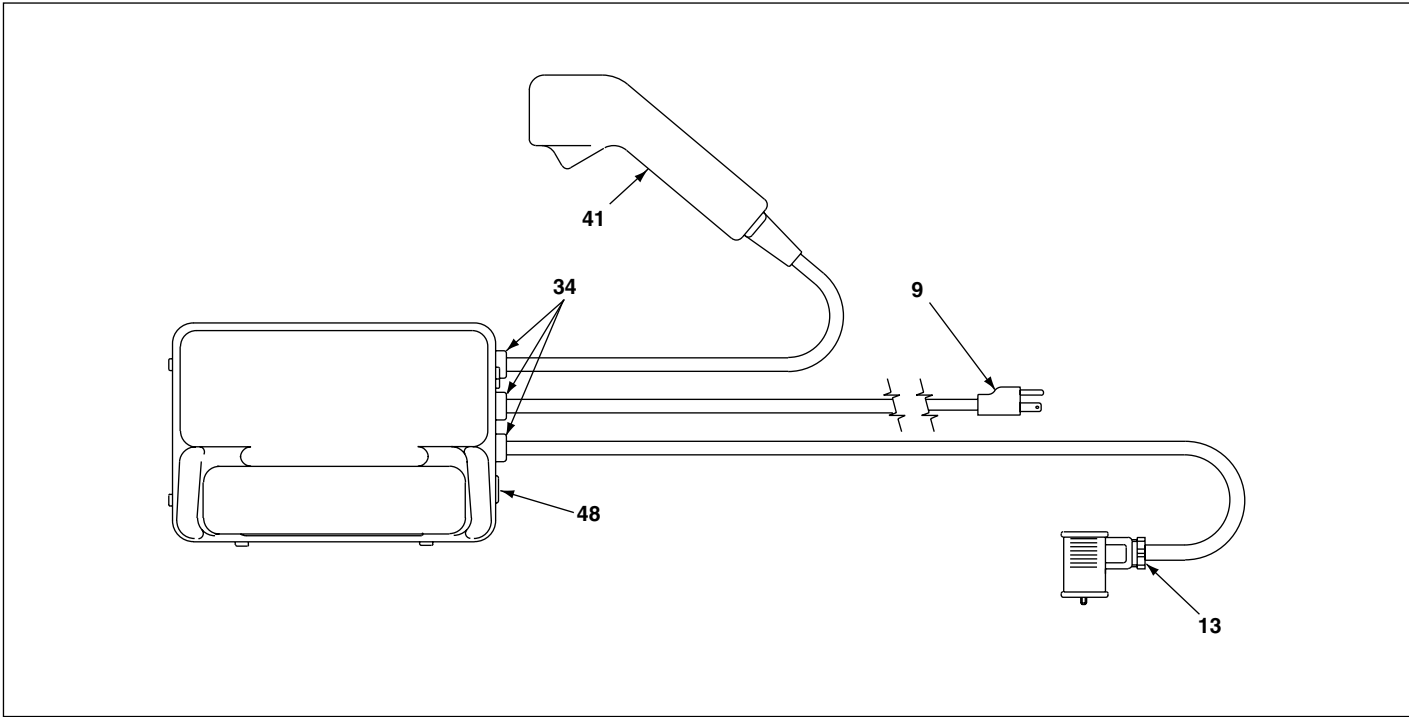
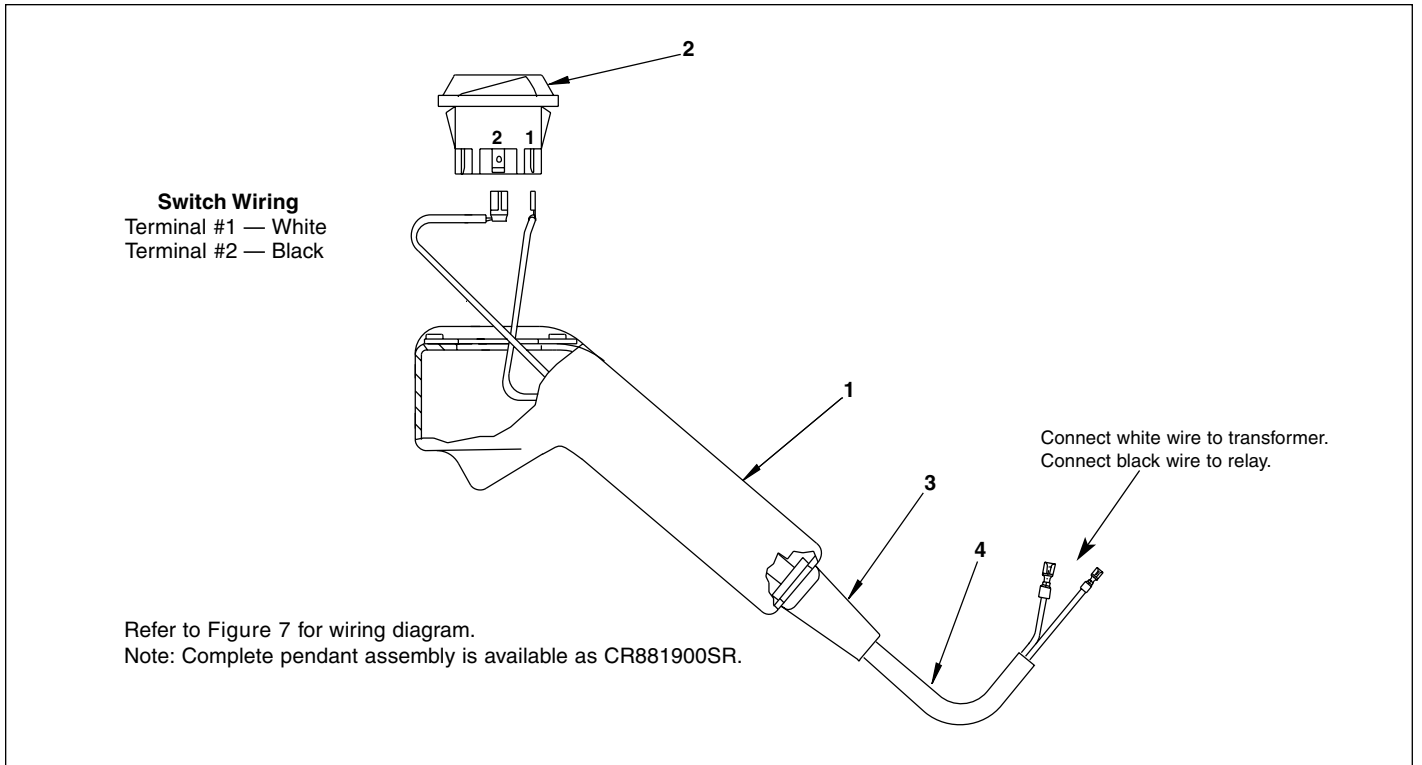


Figure 8, Top View, Cord and Cables

Repair Parts List for Figures 7 and 8							
Item	Part Number	Qty.	Description	Item	Part Number	Qty.	Description
9	DA370900SR	1	Power Cord, 115V	39	E1300008	1	Relay
	DA3728900SR	1	Power Cord, 220V	41	CR881900SR	1	Remote Pendant Assy.
11	DA11539380	1	Receptacle	42	DA1973900SR	1	Wire Assembly
13	DA12343900	1	Solenoid Cable	43	DA2082900	1	Wire Assembly
20	E1500002	1	Switch	44	DA1975900SR	1	Wire Assembly
21	DA3712900SR	2	Wire Assembly	45	DC2083900	1	Wire Assembly
23	DA3711900SR	1	Wire Assembly	48	DA3731009	1	Hole Plug
24	DA11540380	1	Plug	102	CW179259	1	Motor, 115V
34	CR759291	3	Cord Bushing		DC370259	1	Motor, 220V
38	E300006	1	115/24V Transformer	190	DC374900	1	Choke Assembly, 220V
	E300007	1	220V/24 Transformer	191	DC388900	1	Wire Assembly, 220V

Note: For replacement shroud assembly, order Repair Kit DC7944900SR (115V) or DC7945900SR (220V).



**Figure 9, Remote Pendant Assembly**

Repair Parts List for Figure 9							
Item	Part Number	Qty.	Description	Item	Part Number	Qty.	Description
1	CU598190	1	Pendant Body	3	DA1568007	1	Strain Relief
2	CU911372	1	Switch	4	CR880950SR	1	Wire Assembly (incl item #3)

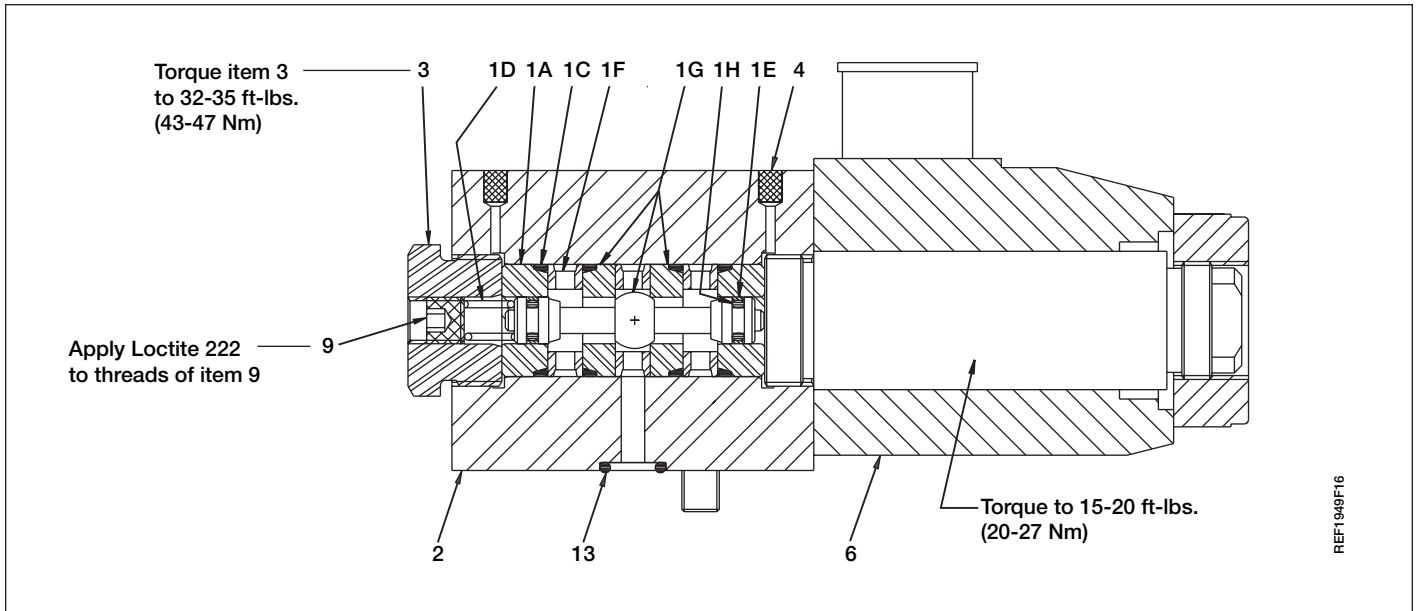


Figure 10, Poppet Valve Assembly

Repair Parts List for Figure 10							
Item	Part Number	Qty.	Description	Item	Part Number	Qty.	Description
1	DA5792949SR	1	Valve Stack (inc. items 1A-1H)	2	DA4393190	1	Valve Block Body
1A	DA3697039	2	Bushing	3	DA5421009	1	Valve Plug
1C	B1016803	4	O-ring	4	DA4390118	2	Filter
1D	DA5422110	1	Comp. Spring	6	DA4405900	1	Solenoid Assembly (115V)
1E	CH279044	2	Glyd Ring		DA5714900	1	Solenoid Assembly (220V)
1F	DA3698290	3	Seat Spacer	9	PA1417027	1	Set Screw
1G	DC862949	1	Poppet Set	13	B1011803	3	O-Ring
1H	B1002503	2	O-Ring				

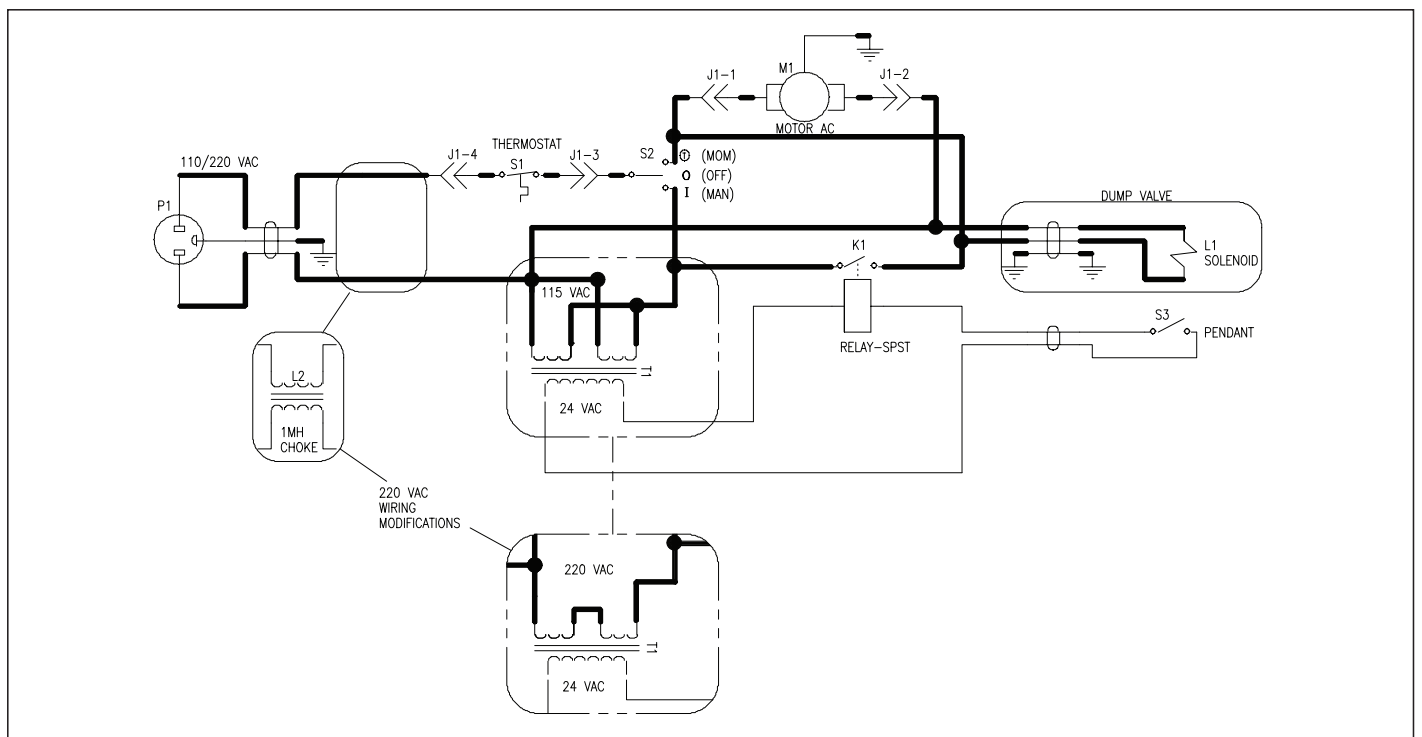


Figure 11, Electrical Schematic



Figure	Item No.	Torque Specification and/or Assembly Notes
1	18	Apply 1 drop Loctite #242 to threads. Torque to 12 to 18 in-lbs (1,4 to 2,0 Nm).
1	154	Torque to 27-31 in-lbs (3,1 to 3,5 Nm).
1	Note 1	Install bearing, Item 117, flush to 0.010" (2,54 mm) recessed from surface.
2	10	Trim wire length to 9 to 10 inches (228 - 254 mm) before attaching pins (item 10). Then insert into item 24.
2	15	Torque to 27 to 31 in-lbs, (3,1 to 3,5 Nm).
3	123	Torque to 15 to 16 ft-lbs (20,0 to 21,7 Nm) lubricated.
3	130,131	Torque to 15 to 20 ft-lbs (20 to 27 Nm).
4	15	Torque to 27-31 in-lbs (3,1 to 3,5 Nm).
4	109	Torque to 14 to 16 ft-lbs, dry (19,0 to 21,7 Nm).
4	121	Torque to 16-19 ft-lbs, dry (21,7 to 25,8 Nm).
4	143	Align tube to face mesh and splash lubricate upper needle bearing.
4	146	Seat must be coined prior to assembly.
4	148	Assemble with Loctite #545.
4	150	Relief valve setting should be from 250 to 400 psi (17,3 to 27,9 bar).
4	190	Assemble with Loctite #609.
4	Note 2	Stake threads after setting pressure.
6	149	Torque to 8 to 10 ft-lbs (10,8 to 13,5 Nm).
6	5	Torque to 47-53 in-lbs (5,3 to 6,0 Nm). Use Loctite #242 on item #5.
6	8	Torque to 9-12 in-lbs (1,0-1,3 Nm).
6	24	Attach to receptacle on shroud.

## Enerpac Worldwide Locations

◆ e-mail: [info@enerpac.com](mailto:info@enerpac.com)

◆ internet: [www.enerpac.com](http://www.enerpac.com)

### Africa

ENERPAC Middle East FZE  
Office 423, JAFZA 15  
P.O. Box 18004  
Jebel Ali, Dubai  
United Arab Emirates  
Tel: +971 (0)4 8872686  
Fax: +971 (0)4 8872687

### Australia, New Zealand

**Actuant Australia Ltd.**  
Block V Unit 3  
Regents Park Estate  
391 Park Road  
Regents Park NSW 2143  
(P.O. Box 261) Australia  
Tel: +61 297 438 988  
Fax: +61 297 438 648

### Brazil

Power Packer do Brasil Ltda.  
Rua dos Inocentes, 587  
04764-050 - Sao Paulo (SP)  
Tel: +55 11 5687 2211  
Fax: +55 11 5686 5583  
Toll Free in Brazil:  
Tel: 0800 891 5770  
[vendasbrasil@enerpac.com](mailto:vendasbrasil@enerpac.com)

### Canada

Actuant Canada Corporation  
6615 Ordan Drive, Unit 14-15  
Mississauga, Ontario L5T 1X2  
Tel: +1 905 564 5749  
Fax: +1 905 564 0305  
Toll Free:  
Tel: +1 800 268 4987  
Fax: +1 800 461 2456  
Technical Inquiries:  
[techservices@enerpac.com](mailto:techservices@enerpac.com)

### China

Actuant Industries Co. Ltd.  
No. 6 Nanjing Road  
Taicang Economic Dep Zone  
Jiangsu, China  
Tel: +86 0512 5328 7529  
+86 0512 5328 7500 7529  
Fax: +86 0512 5335 9690

### Actuant China Ltd. (Peking)

709B Diyang Building  
Xin No. 2  
Dong San Huan North Rd.  
Beijing City  
100028 China  
Tel: +86 10 845 36166  
Fax: +86 10 845 36220

### France, Switzerland francophone

ACTUANT - ENERPAC  
France S.A., ZA de Courtaboeuf  
32, avenue de la Baltique  
91140 Villebon / Yvette  
France  
Tel: +33 1 60 13 68 68  
Fax: +33 1 69 20 37 50

### Germany, Austria, Switzerland, Greece, Baltic States, Central and Eastern Europe

ENERPAC GmbH  
P.O. Box 300113  
D-40401 Düsseldorf  
Willstätterstrasse 13  
D-40549 Düsseldorf  
Germany  
Tel: +49 211 471 490  
Fax: +49 211 471 49 28

### India

ENERPAC Hydraulics  
(India) Pvt. Ltd.  
No. 1A,  
Peenya Industrial Area,  
IInd Phase  
Bangalore, 560 058 India  
Tel: +91 80 40 792 777  
Fax: +91 80 40 792 792

### Italy

ENERPAC S.p.A.  
Via Canova 4  
20094 Corsico (Milano)  
Tel: +39 02 4861 111  
Fax: +39 02 4860 1288

### Japan

Applied Power Japan LTD KK  
Besshochou 85-7  
Kita-ku,  
Saitama-shi 331-0821  
Japan  
Tel: +81 48 662 4911  
Fax: +81 48 662 4955

### Middle East, Turkey and Caspian Sea

ENERPAC Middle East FZE  
Office 423, JAFZA 15  
P.O. Box 18004  
Jebel Ali, Dubai  
United Arab Emirates  
Tel: +971 (0)4 8872686  
Fax: +971 (0)4 8872687

### Russia and CIS (excl. Caspian Sea Countries)

Actuant LLC  
Admiral Makarov Street 8  
125212 Moscow, Russia  
Tel: +7-495-9809091  
Fax: +7-495-9809092

### Sweden, Denmark, Norway, Finland and Iceland

ENERPAC Scandinavia AB  
Fabriksgatan 7  
412 50 Gothenburg  
Sweden  
Tel: +46 31 7990281  
Fax: +46 31 7990010  
[scandinavianinquiries@enerpac.com](mailto:scandinavianinquiries@enerpac.com)

### Singapore

Actuant Asia Pte. Ltd.  
37C, Benoi Road Pioneer Lot,  
Singapore 627796  
Tel: +65 68 63 0611  
Fax: +65 64 84 5669  
Toll Free: +1800 363 7722  
Technical Inquiries:  
[tech.service-sg@enerpac.com](mailto:tech.service-sg@enerpac.com)

### South Korea

Actuant Korea Ltd.  
3Ba 717,  
Shihwa Industrial Complex  
Jungwang-Dong, Shihung-Shi,  
Kyunggi-Do  
Republic of Korea 429-450  
Tel: +82 31 434 4506  
Fax: +82 31 434 4507

### Spain and Portugal

ENERPAC SPAIN, S.L.  
Avda. Los Frailes, 40 – Nave C  
& D  
Pol. Ind. Los Frailes  
28814 DAGANZO DE ARRIBA  
(Madrid)  
Spain  
Tel: +34 91 884 86 06  
Fax: +34 91 884 86 11

### Sweden, Denmark, Norway, Finland and Iceland

Enerpac Scandinavia AB  
Fabriksgatan 7  
412 50 Gothenburg  
Sweden  
Tel: +46 (0) 31 7990281  
Fax: +46 (0) 31 7990010  
Inquiries:  
[Scandinavianinquiries@enerpac.com](mailto:Scandinavianinquiries@enerpac.com)

### The Netherlands, Belgium, Luxembourg

ENERPAC B.V.  
Galvanistraat 115, 6716 AE Ede  
P.O. Box 8097, 6710 AB Ede  
The Netherlands  
Tel: +31 318 535 800  
Fax: +31 318 525 613  
+31 318 535 848  
[beneluxinquiries@enerpac.com](mailto:beneluxinquiries@enerpac.com)  
Technical Inquiries Europe:  
[techsupport.europe@enerpac.com](mailto:techsupport.europe@enerpac.com)

### United Kingdom, Ireland Enerpac Ltd

Bentley Road South  
Darlaston, West Midlands  
WS10 8LQ, United Kingdom  
Tel: +44 (0)121 50 50 787  
Fax: +44 (0)121 50 50 799

### USA, Latin America and Caribbean

ENERPAC  
P.O. Box 3241  
6100 N. Baker Road  
Milwaukee, WI 53209 USA  
Tel: +1 262 781 6600  
Fax: +1 262 783 9562

User inquiries:  
+1 800 433 2766  
Inquiries/orders:  
+1 800 558 0530

Technical Inquiries:  
[techservices@enerpac.com](mailto:techservices@enerpac.com)

### ENERPAC

704 W. Simonds  
Dallas, TX 75159 USA  
Tel: +1 972 287 2390  
Fax: +1 972 287 4469

09/30/09

All Enerpac products are guaranteed against defects in workmanship and materials for as long as you own them. For your nearest authorized Enerpac Service Center, visit us at [www.enerpac.com](http://www.enerpac.com)