

Contents:

| | | | |
|--|---|---|---|
| Figure 1 - Pump Side View | 2 | Figure 10 - Shroud Wiring-Right of Motor..... | 5 |
| Figure 2 - Pump Front View (shroud removed)..... | 2 | Figure 11 - Top View, Cord and Cables..... | 6 |
| Figure 3 - Valve and Manifold Assembly | 2 | Figure 12 - Remote Pendant Assembly, PUJ Models | 7 |
| Figure 4 - Pump Bottom View | 2 | Figure 13 - Electrical Schematic, PUM Models (115V) | 8 |
| Figure 5 - Pump Front View (assembled) | 3 | Figure 14 - Electrical Schematic, PUJ Models (115V) Date Code "G"..... | 8 |
| Figure 6 - Pump Top View | 4 | Figure 15 - Electrical Schematic, PUJ Models (115V) Date Code "H"..... | 8 |
| Figure 7 - Shroud Wiring - Behind Motor | 5 | Figure 16 - Electrical Schematic, PUJ Models (220V)..... | 9 |
| Figure 8 - Shroud Wiring - Front of Motor | 5 | | |
| Figure 9 - Shroud Wiring - Left of Motor | 5 | | |



WARNING: Disconnect power cord from outlet before removing pump shroud or beginning any repairs.

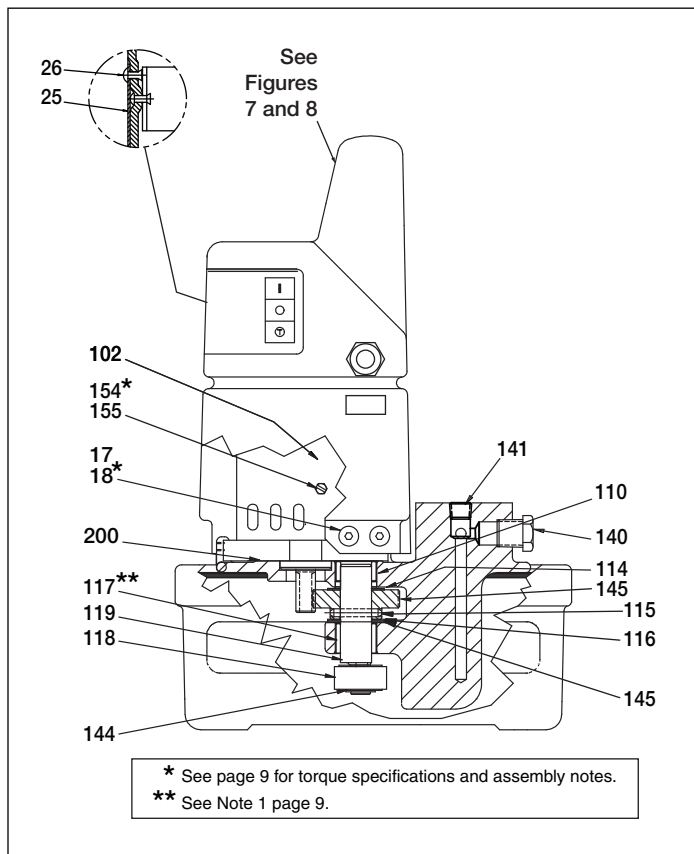


Figure 1, Pump Side View

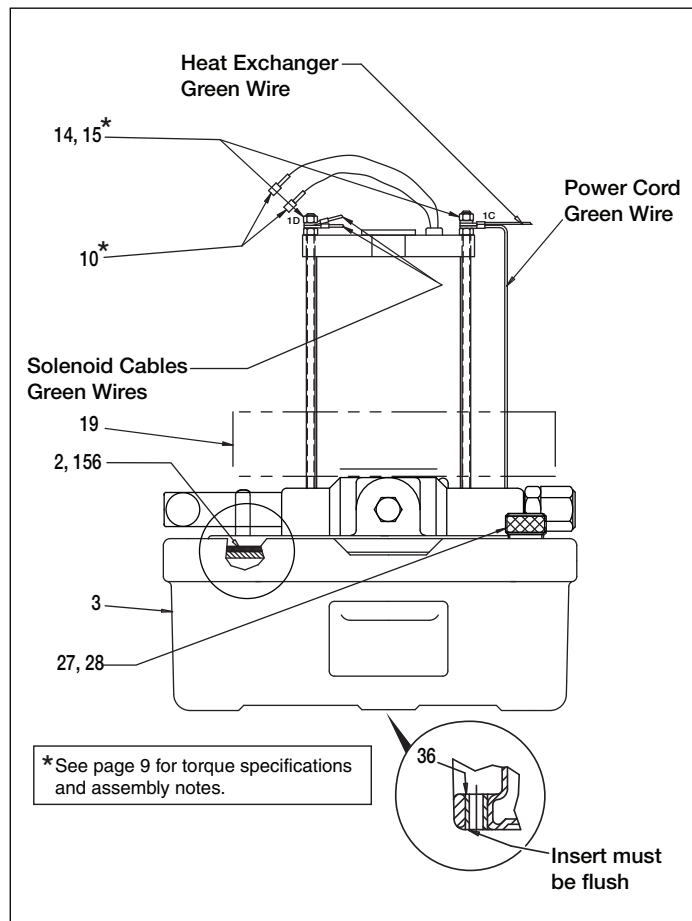


Figure 2, Pump Front View (shroud removed)

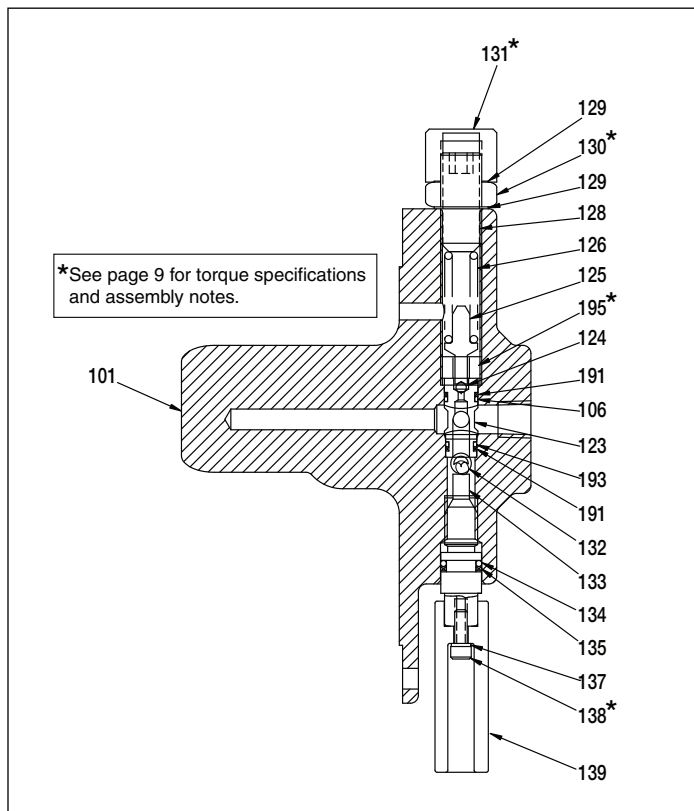


Figure 3, Valve and Manifold Assembly

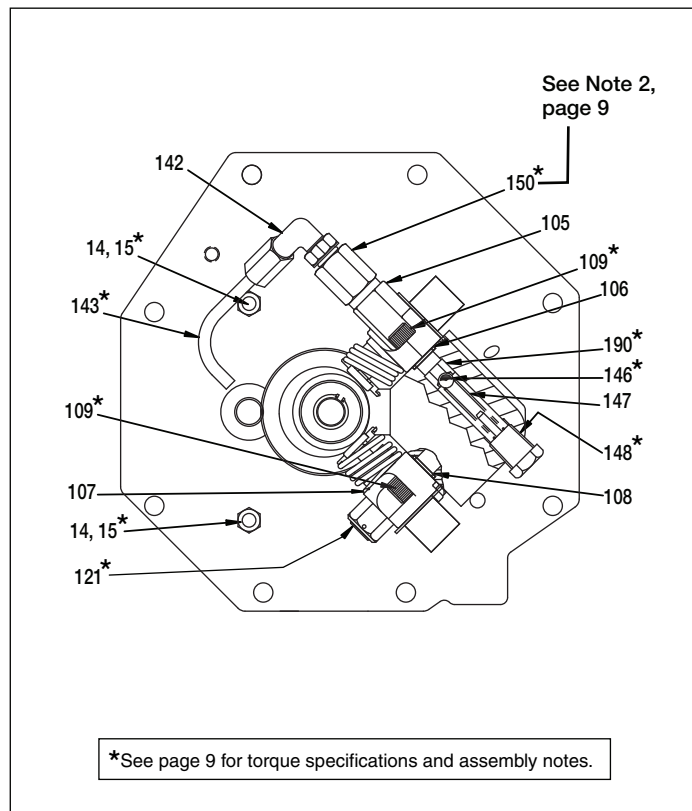


Figure 4, Pump Bottom View

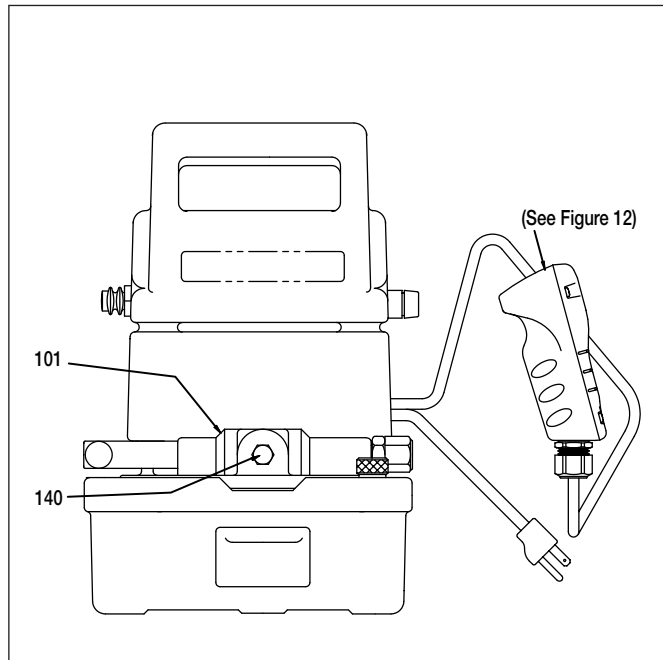


Figure 5, Pump Front View (assembled)

Repair Parts List for Figures 1 through 5

| Item | Part Number | Qty. | Description |
|---|-----------------|------|---------------------------------------|
| 2 | ◆★ DA12088167SR | 1 | Gasket (Includes item 156) |
| 3 | ◆ DA1910900SR | 1 | Reservoir Assembly. 0.5 Gal. |
| | ◆ DA4780900SR | 1 | Reservoir Assembly. 1.0 Gal. |
| 10 | DA3776006 | 2 | Pin |
| 14 | DA15066 | 3 | Lock Washer |
| 15 | B1018121 | 3 | Hex Nut |
| 17 | CW261225 | 6 | Eyelet |
| 18 | F866028 | 6 | Machine Screw |
| 19 | CW259298 | 1 | Baffle |
| 25 | Contact Enerpac | 1 | Nameplate |
| 26 | DC818003 | 4 | Pop Rivet |
| 27 | DA608024 | 1 | Vent Plug |
| 28 | ★ B1906503 | 1 | O-Ring |
| 36 | ◆ DA931225 | 2 | Insert |
| 101 | ◆ DC12486840SR | 1 | Pump Manifold (includes # 121) |
| 102 | CW179259 | 1 | 115 VAC Motor |
| | DC1415259 | 1 | 220 VAC Motor (50 Hz) |
| 105 | DD1449051SR | 1 | 14 mm Piston Block Assembly |
| 106 | ◆★ B1007503 | 1 | O-Ring |
| 107 | DD1450051SR | 1 | 6 mm Piston Block Assembly |
| 108 | ★ B1012803 | 1 | O-Ring |
| 109 | B1016028 | 4 | Screw (incl. w/items 105 & 107) |
| 110 | CW252107 | 1 | Bearing |
| 114 | CW301228 | 1 | Driven Gear |
| 115 | ★ B1097057 | 1 | Spring Pin |
| 116 | ★ CW199107 | 1 | Bearing |
| 117 | CW251107 | 1 | Bearing |
| 118 | CW302107 | 1 | Bearing |
| 119 | CW303104 | 1 | Shaft |
| 121 | U072286900SR | 1 | Relief Valve, 5000 psi (see Fig. 4) |
| | DA5999900SR | 1 | Relief Valve, 10,000 psi (see Fig. 4) |
| 123 | ◆★ DA12199290 | 1 | Ball Seat Insert |
| 124 | ★ B1004016 | 1 | Ball (0.156 in. dia.) |
| ★ Included in Repair Kit PUJ1200BK1 ◆ Included in Reservoir Assy. Kits DA1910900SR & DA4870900SR ◆ Included in Pump Manifold Repair Kit DA12486840SR * Included in Release Valve Handle Kit DA544070SR | | | |

| Item | Part Number | Qty. | Description |
|---|---------------|------|---------------------------|
| 125 | ◆ DC990900 | 1 | Ball Guide |
| 126 | ★ A109164 | 1 | Compression Spring |
| 128 | DA252028 | 1 | Adjusting Screw |
| 129 | ★ S1167 | 2 | Gasket |
| 130 | CW306055 | 1 | Lock Nut |
| 131 | CW307055 | 1 | Cap Nut |
| 132 | ★ B1009016 | 1 | Ball (0.312 in. dia.) |
| 133 | C790010SR | 1 | Stem |
| 134 | ★ B1111203 | 1 | O-Ring, Viton |
| 135 | ★ B1111564 | 1 | Washer |
| 137 | * B1086066 | 1 | Lockwasher |
| 138 | * B1324028 | 1 | Screw, Socket Head |
| 139 | * DA544070SR | 1 | Handle |
| 140 | R515245-2 | 1 | Plug |
| 141 | A1008245 | 1 | Plug |
| 142 | DA1011096 | 1 | Elbow |
| 143 | DA261268 | 1 | Tube |
| 144 | ★ CW467044 | 1 | Retaining Ring |
| 145 | ★ DA445107 | 2 | Bearing |
| 146 | ★ B1007016 | 1 | Ball |
| 147 | ★ DA1564110 | 1 | Spring |
| 148 | ◆ DC433950 | 1 | Plug Assembly |
| 150 | DA610900SR | 1 | Relief Valve Assembly |
| 154 | CU876028 | 3 | Screw (10-24) |
| 155 | DA3585186 | 3 | Spacer |
| 156 | ◆★ See item 2 | 1 | Gasket |
| 190 | ◆ DA12352290 | 1 | Ball Seat |
| 191 | ◆★ B1012565 | 2 | Washer, Back-up |
| 193 | ◆★ DC19503 | 1 | O-Ring |
| 195 | ◆ DC866027 | 1 | Lock Screw |
| 200 | ★ DC1947167 | 1 | Gasket |
| Replacement Brushes for Electric Motor | | | |
| - - - | DA9655380 | 1 | Brush Set for 115V Models |
| - - - | DA9656380 | 1 | Brush Set for 220V Models |

* See page 9 for torque specifications and assembly notes.

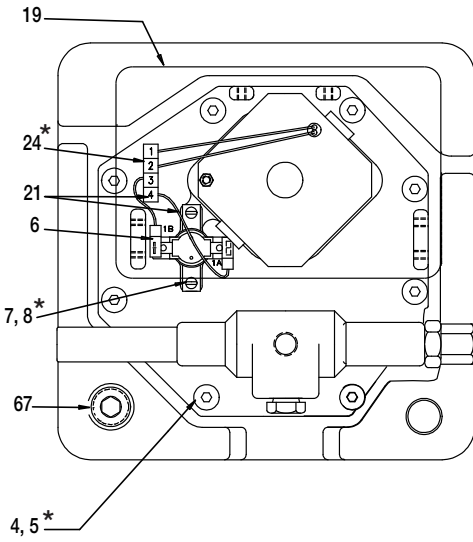


Figure 6, Pump Top View

Repair Parts List for Figure 6

| Item | Part Number | Qty. | Description |
|--|-------------|------|------------------|
| 4 | ◆ DA6954167 | 8 | Gasket |
| 5 | DC2038028 | 8 | Screw |
| 6 | E1100004 | 1 | Thermostat, 115V |
| | DC8401372 | 1 | Thermostat, 220V |
| 7 | C701222 | 2 | Washer |
| 8 | M642028 | 2 | Screw |
| 19 | CW259298 | 1 | Baffle |
| 21 | DC7969960 | 2 | Wire Assembly |
| 24 | DA11540380 | 1 | Pin Housing |
| 67 | ◆ A1009245 | 2 | Plug |
| ◆ Included in Reservoir Assy. Kits DA1910900SR & DA4870900SR | | | |

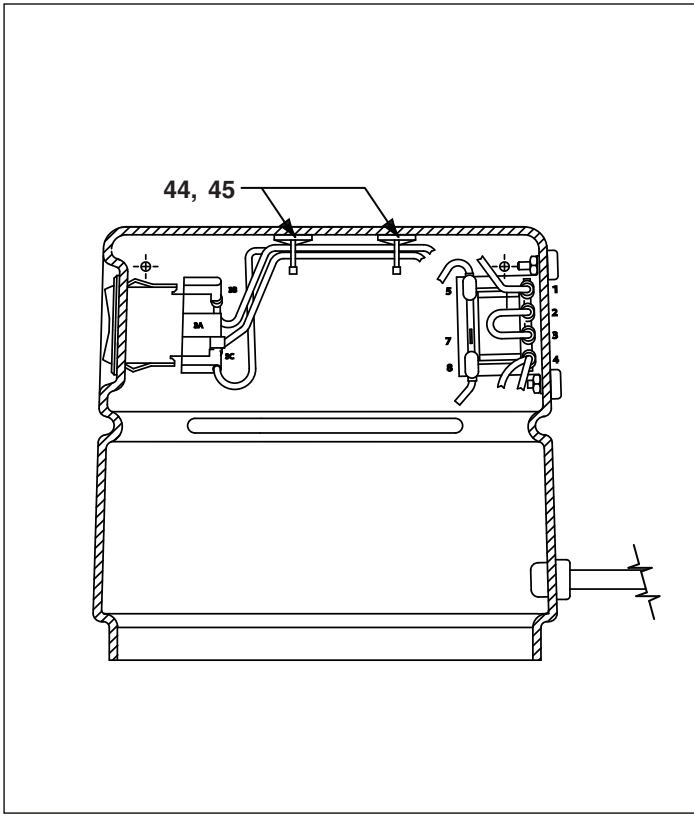


Figure 7, Shroud Wiring - Behind Motor

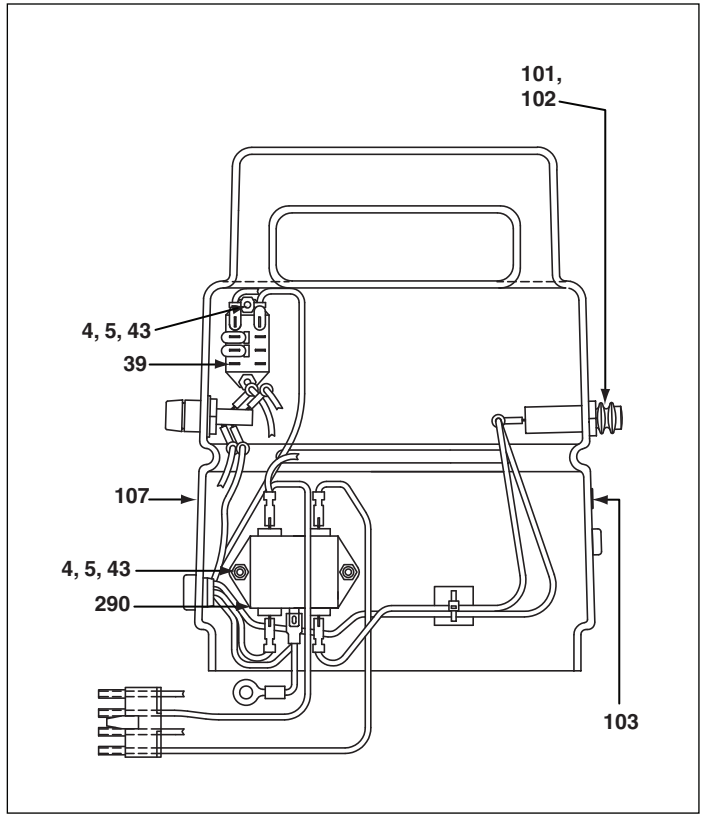


Figure 8, Shroud Wiring - Front of Motor

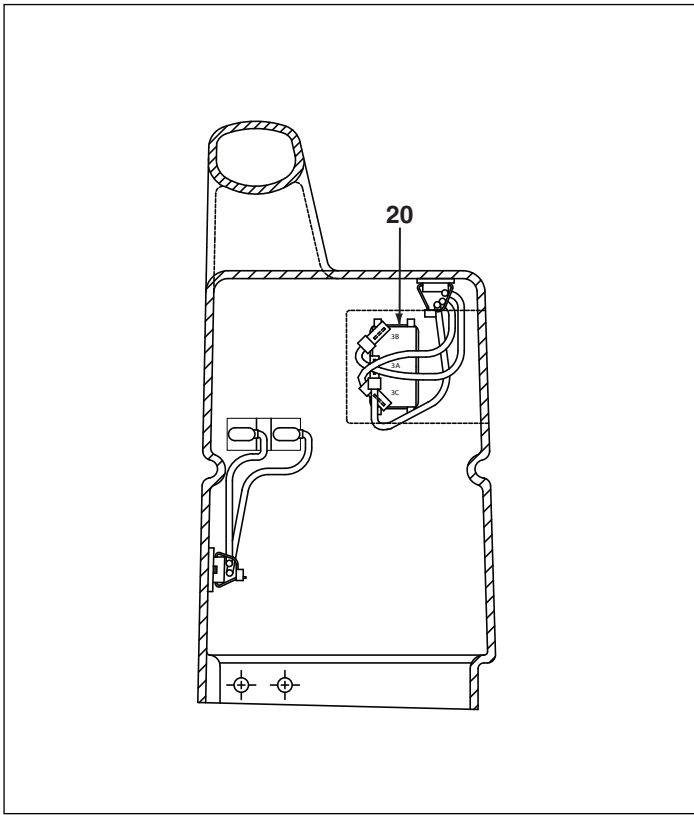


Figure 9, Shroud Wiring - Left of Motor

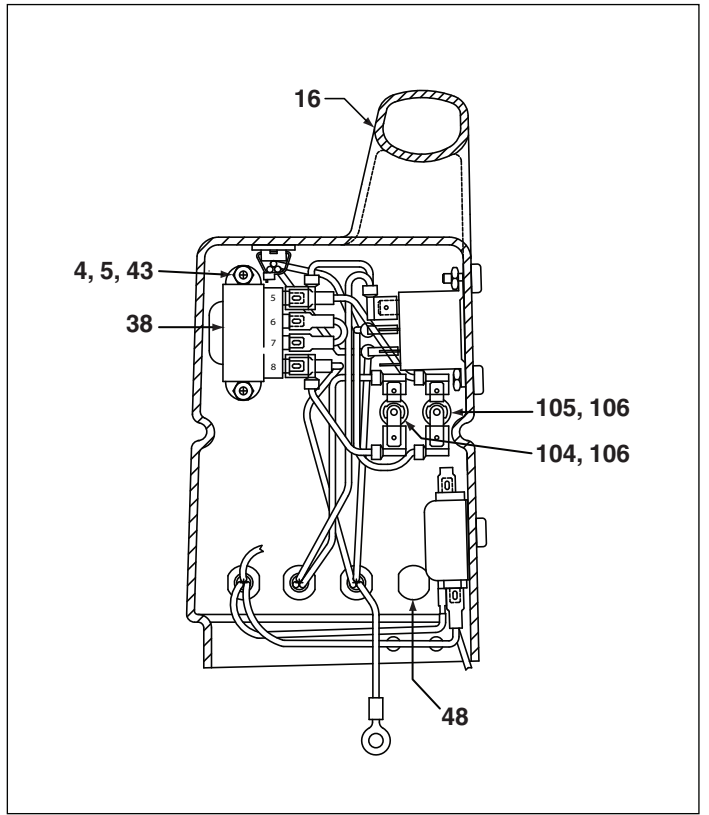


Figure 10, Shroud Wiring - Right of Motor

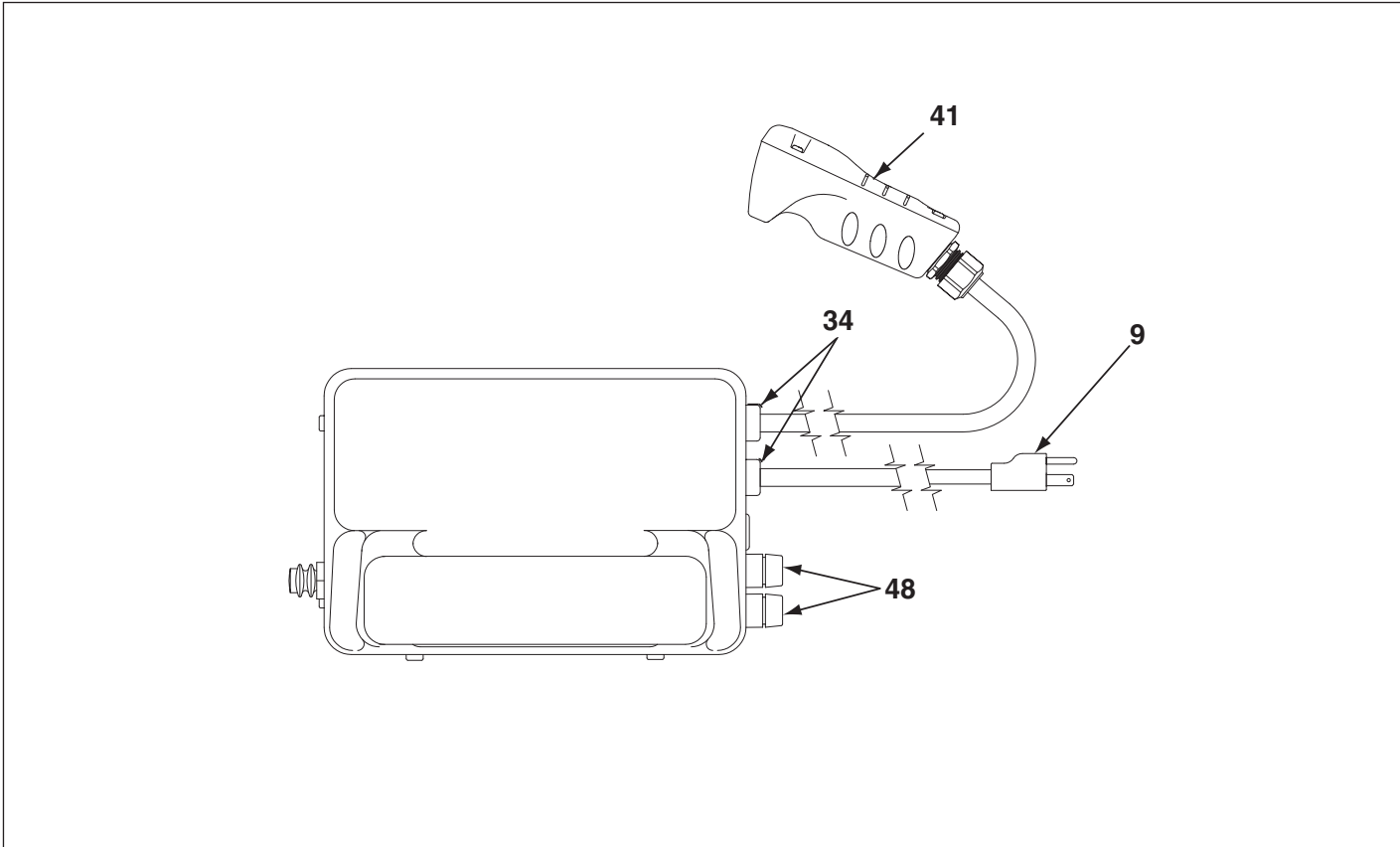


Figure 11, Top View, Cord and Cables

Repair Parts List for Figures 7 through 11

| Item | Part Number | Qty. | Description | Item | Part Number | Qty. | Description |
|------|--------------|------|---|------|--------------|------|---------------------------|
| 4 | BC1310728 | 4 | Screw (115V) | 41 | (See Fig 12) | 1 | Pendant Assy - PUJ Only |
| | BC1310728 | 6 | Screw (220V) | 43 | DA5974098 | 4 | Screw Cover (115V) |
| 5 | F75021 | 4 | Lock Nut #6-32 (115V) | | DA5974098 | 6 | Screw Cover (220V) |
| | F75021 | 6 | Lock Nut #6-32 (220V) | 44 | EHC3901075 | 3 | Tie Down, Self Adhesive |
| 9 | DC7954960SR | 1 | Power Cord (115V) | 45 | DA3131217 | 4 | Cable Tie |
| | DC10008960SR | 1 | Power Cord (220V) | 48 | DA3731009 | 2 | Hole Plug |
| 11 | DA11539380 | 1 | Receptacle | 101 | DC8366380 | 1 | Circuit Breaker (115V) |
| 16 | DC10035098 | 1 | Shroud - PUM Models | | DC8367380 | 1 | Circuit Breaker (220V) |
| | DC10037098 | 1 | Shroud - PUJ Models (115V) | 102 | DC8200380 | 1 | Circuit Breaker Reset Cap |
| | DC10036098 | 1 | Shroud - PUJ Models (220V) | 103 | DC8237023 | 1 | Circuit Breaker Decal |
| 20 | E1500002 | 1 | Switch | 104 | DC8371378 | 1 | Secondary Fuse, 300mA |
| 34 | CR759291 | 2 | Cord Bushing | 105 | DC8370378 | 1 | Primary Fuse, 62mA (115V) |
| 38 | DA5875380 | 1 | Transformer | | DC8400378 | 1 | Primary Fuse, 40mA (220V) |
| 39 | E1300008 | 1 | Relay, D1, Black Housing 115V PUJ models with Date Code "G" | 106 | DC8372378 | 2 | Fuse Holder |
| | DD2668380 | 1 | Relay, D1, Clear Housing 115V PUJ models with Date Code "H" | 107 | DC7891026 | 1 | Fuse Decal |
| | DC8280980 | 1 | Relay, D1 All 220V PUJ models | 290 | DC8365380 | 1 | EMI Filter (220V only) |
| | | | | | | | |
| | | | | | | | |

Note: For replacement shroud assembly:
 • Model PUM1200B only: Order Repair Kit DC7942900SR.
 • PUJ Models, 115V: Order Repair Kit DC7933900SR.
 • PUJ Models, 220V: Order Repair Kit DC7934900SR.

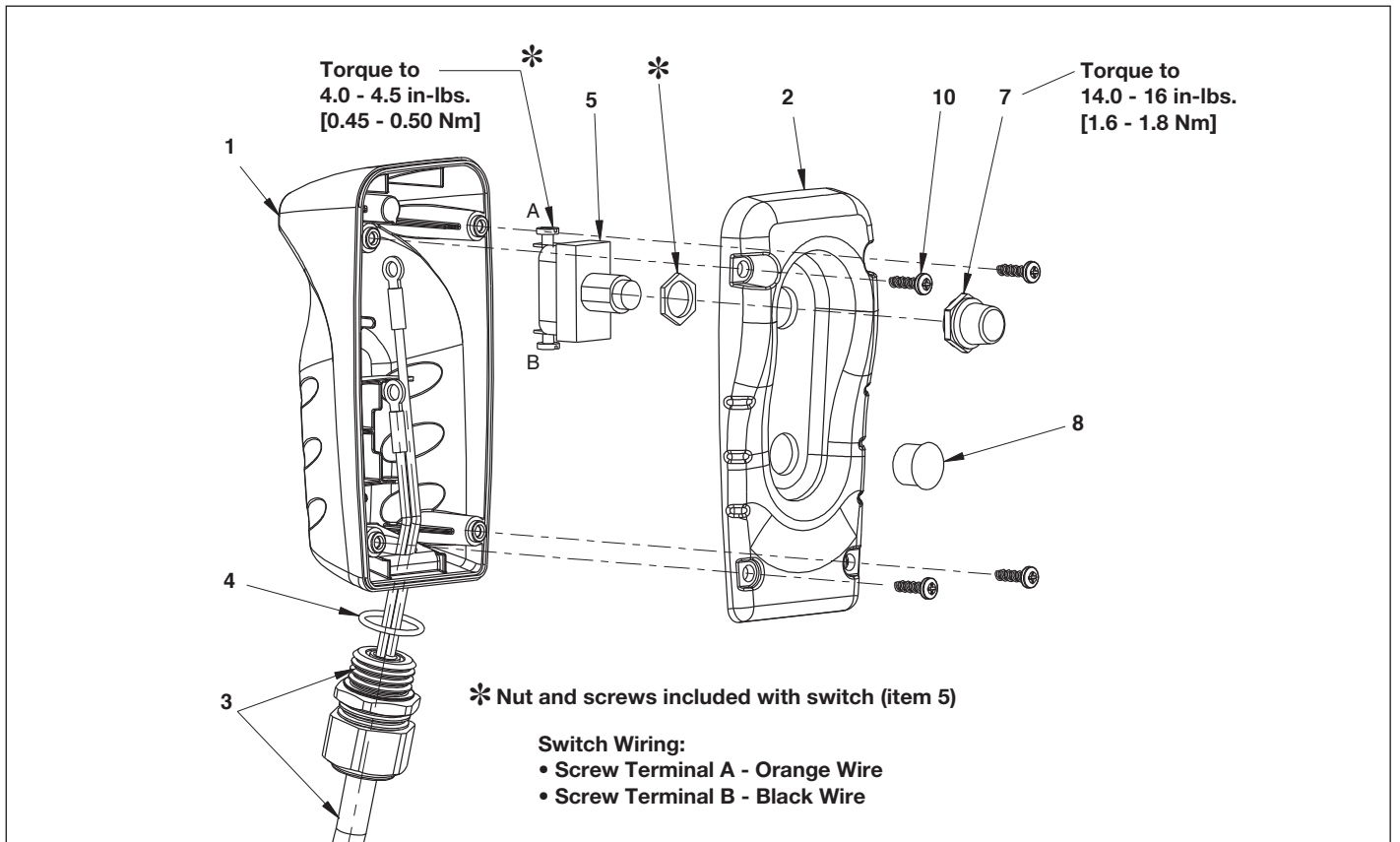


Figure 12, Remote Pendant Assembly, PUJ Models

Repair Parts List for Figure 12

| Item | Part Number | Qty. | Description | Item | Part Number | Qty. | Description |
|------|-------------|------|-------------------|------|-------------|------|-------------------------|
| 1 | ❖DC9425424 | 1 | Pendant Enclosure | 5 | ❖DC8282379 | 1 | Switch, Push Button, NO |
| 2 | ❖ DC8122424 | 1 | Pendant Housing | 7 | ❖DC8284379 | 1 | Boot |
| 3 | ❖DD1053960 | 1 | Cord Assembly | 8 | ❖DC8228009 | 1 | Plug, Dome 1/2" |
| 4 | ❖B1223503 | 1 | O-Ring | 10 | ❖DC9428008 | 4 | Screw, Hi-Lo, #8X |

❖ For complete replacement pendant assembly, order part number DD1048900SR (includes all parts shown above).

IMPORTANT: 115V models with Date Code "H" only: If your shroud assembly has a clear relay (see Figure 8, item #39) remove the 3/16" female quick-disconnect connector from the orange wire (wire #33) and replace it with a 1/4" female quick-disconnect connector.

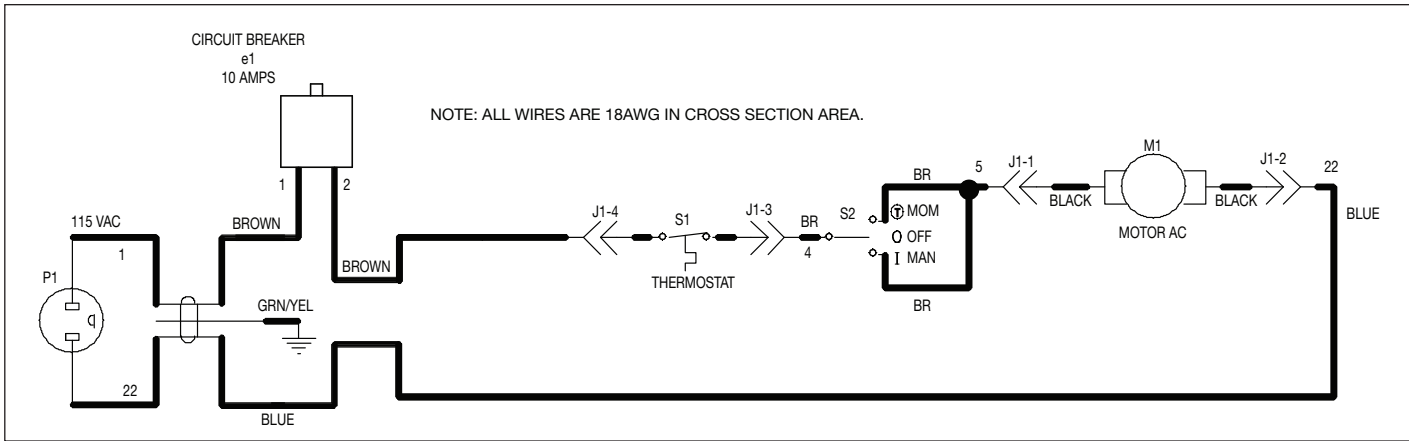


Figure 13, Electrical Schematic, PUM Models (115 V)

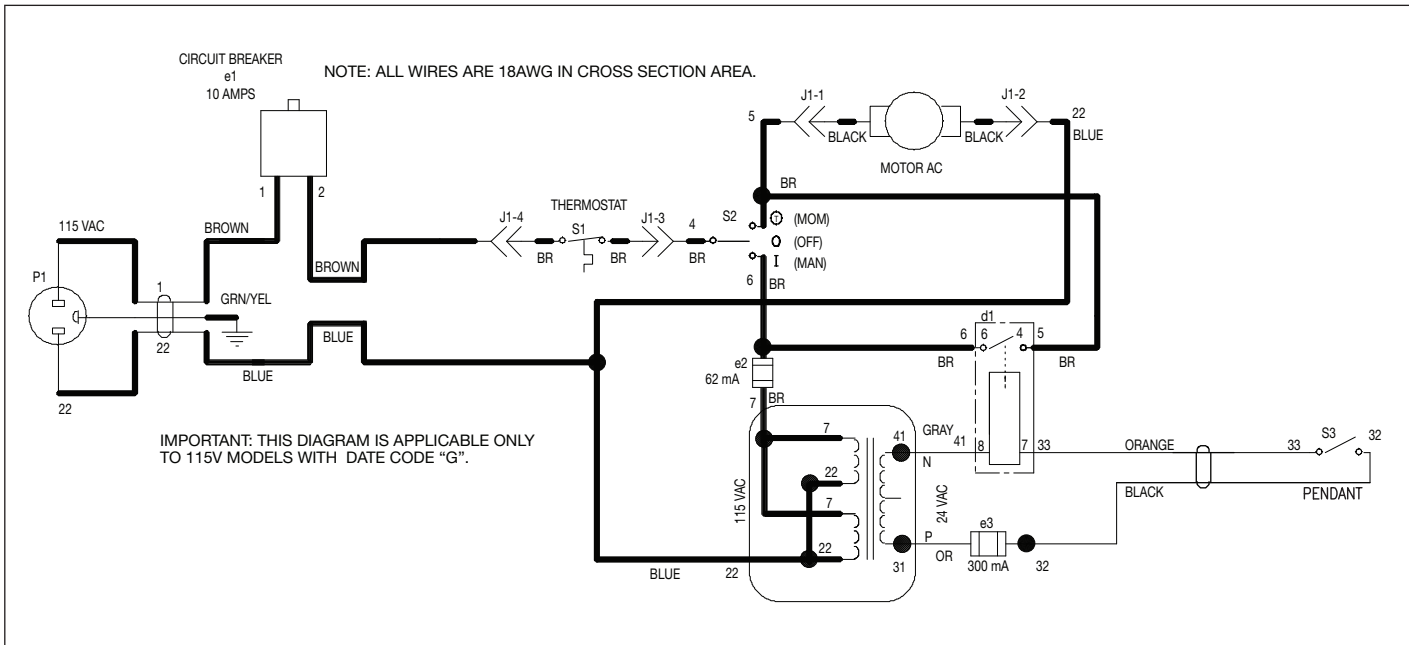


Figure 14, Electrical Schematic, PUJ Models (115V) - Date Code "G"

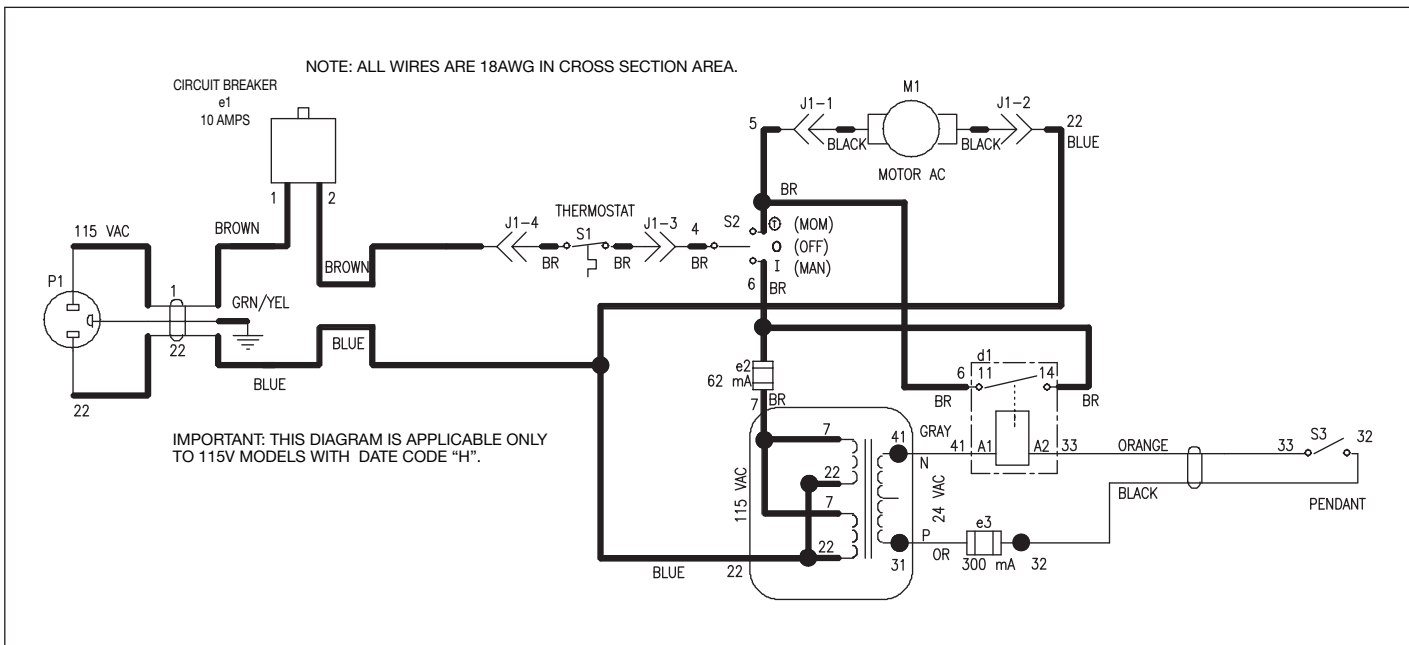


Figure 15, Electrical Schematic, PUJ Models (115V) - Date Code "H"

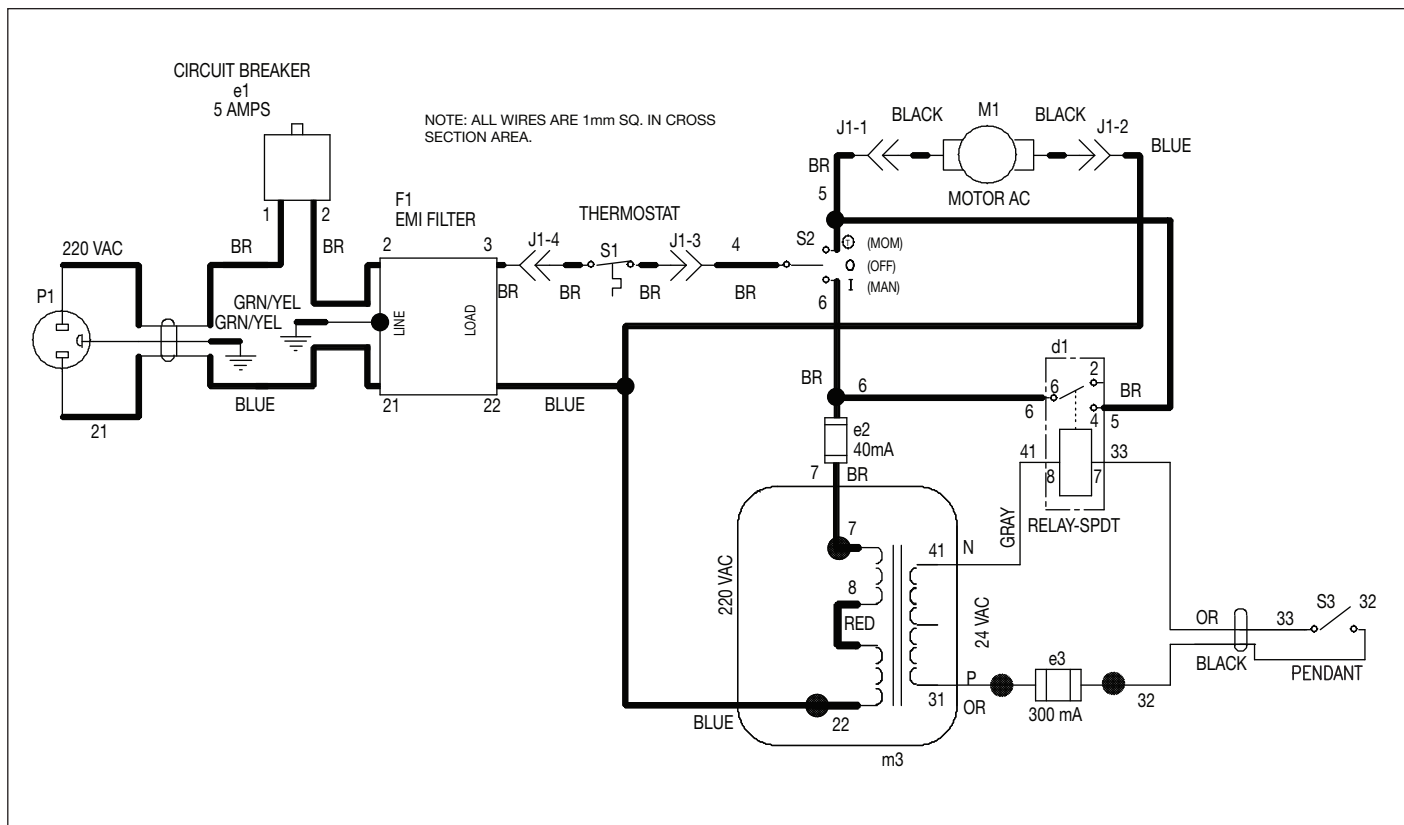


Figure 16, Electrical Schematic, PUJ Models (220V)

| Figure | Item No. | Torque Specification and/or Assembly Notes |
|--------|----------|--|
| 1 | 18 | Apply 1 drop Loctite #242 to threads. Torque to 12 to 18 in-lbs (1,4 to 2,0 Nm). |
| 1 | 154 | Torque to 27-31 in-lbs (3,1 to 3,5 Nm). |
| 1 | Note 1 | Install bearing, Item 117, flush to 0.010" (2,54 mm) recessed from surface. |
| 2 | 10 | Trim wire length to 9 to 10 inches (228 - 254 mm) before attaching pins (item 10). Then insert into item 24. |
| 2 | 15 | Torque to 27 to 31 in-lbs, (3,1 to 3,5 Nm). |
| 3 | 130,131 | Torque to 15 to 20 ft-lbs (20 to 27 Nm). |
| 3 | 138 | Torque to 25-30 in-lbs (28,8 to 34,5 cm/kg). Apply Locite 242 to threads before assembly. |
| 3 | 195 | Torque to 6-10 ft-lbs (8,1 to 13,5 Nm). |
| 4 | 15 | Torque to 27-31 in-lbs (3,1 to 3,5 Nm). |
| 4 | 109 | Torque to 14 to 16 ft-lbs, dry (19,0 to 21,7 Nm). |
| 4 | 121 | Torque to 16-19 ft-lbs, dry (21,7 to 25,8 Nm). |
| 4 | 143 | Align tube to face mesh and splash lubricate upper needle bearing. |
| 4 | 146 | Seat must be coined prior to assembly. |
| 4 | 148 | Assemble with Loctite #545. |
| 4 | 150 | Relief valve setting should be from 250 to 400 psi (17,3 to 27,9 bar). |
| 4 | 190 | Assemble with Loctite #609. |
| 4 | Note 2 | Stake threads after setting pressure. |
| 6 | 5 | Torque to 47-53 in-lbs (5,3 to 6,0 Nm). Use Loctite #242 on item #5. |
| 6 | 8 | Torque to 9-12 in-lbs (1,0-1,3 Nm). |
| 6 | 24 | Attach to receptacle on shroud. |

Enerpac Worldwide Locations

◆ e-mail: info@enerpac.com

◆ internet: www.enerpac.com

Australia and New Zealand

Actuant Australia Ltd.
Block V Unit 3
Regents Park Estate
391 Park Road
Regents Park NSW 2143
(P.O. Box 261) Australia
T +61 (0)2 9743 8988
F +61 (0)2 9743 8648
sales-au@enerpac.com

Brazil

Power Packer do Brasil Ltda.
Rua Luiz Lawrie Reid, 548
09930-760 - Diadema (SP) - Brazil
T +55 11 5687 2211
Toll Free: 0800 891 5770
vendasbrasil@enerpac.com

China (Taicang)

Actuant (China) Industries Co. Ltd.
No. 6 Nanjing East Road,
Taicang Economic Dep Zone
Jiangsu, China
T +86 0512 5328 7500
F +86 0512 5335 9690
Toll Free: +86 400 885 0369
sales-cn@enerpac.com

France, Switzerland, North Africa and French speaking African countries

ENERPAC
Une division d'ACTUANT France S.A.S.
ZA de Courtaboeuf
32, avenue de la Baltique
91140 VILLEBON /YVETTE
France
T +33 1 60 13 68 68
F +33 1 69 20 37 50
sales-fr@enerpac.com

Germany and Austria

ENERPAC GmbH
P.O. Box 300113
D-40401 Düsseldorf
Willstätterstrasse 13
D-40549 Düsseldorf, Germany
T +49 211 471 490
F +49 211 471 49 28
sales-de@enerpac.com

India

ENERPAC Hydraulics (India) Pvt. Ltd.
No. 10, Bellary Road, Sadashivanagar,
Bangalore, Karnataka 560 080
India
T +91 80 3928 9000
info@enerpac.co.in
www.enerpac.com

Italy

ENERPAC S.p.A.
Via Canova 4
20094 Corsico (Milano)
T +39 02 4861 111
F +39 02 4860 1288
sales-it@enerpac.com

Japan

Applied Power Japan LTD KK
Besshocho 85-7
Kita-ku, Saitama-shi 331-0821, Japan
T +81 48 662 4911
F +81 48 662 4955
sales-jp@enerpac.com

Middle East, Egypt and Libya

ENERPAC Middle East FZE
Office 423, LOB 15
P.O. Box 18004, Jebel Ali, Dubai
United Arab Emirates
T +971 (0)4 8872686
F +971 (0)4 8872687
sales-ua@enerpac.com

Russia

Rep. office Enerpac
Russian Federation
Admiral Makarova Street 8
125212 Moscow, Russia
T +7 495 98090 91
F +7 495 98090 92
sales-ru@enerpac.com

Southeast Asia, Hong Kong and Taiwan

Actuant Asia Pte Ltd.
83 Joo Koon Circle
Singapore 629109
T +65 68 63 0611
F +65 64 84 5669
Toll Free: +1800 363 7722
sales-sg@enerpac.com

South Korea

Actuant Korea Ltd.
3Ba 717, Shihwa Industrial Complex
Jungwang-Dong, Shihung-Shi,
Kyunggi-Do
Republic of Korea 429-450
T +82 31 434 4506
F +82 31 434 4507
sales-kr@enerpac.com

Spain and Portugal

ENERPAC SPAIN, S.L.
Avda. Los Frailes, 40 – Nave C & D
Pol. Ind. Los Frailes
28814 Daganzo de Arriba
(Madrid) Spain
T +34 91 884 86 06
F +34 91 884 86 11
sales-es@enerpac.com

Sweden, Denmark, Norway, Finland and Iceland

Enerpac Scandinavia AB
Kopparlundsvägen 14,
721 30 Västerås
Sweden
T +46 (0) 771 41 50 00
scandinavianinquiries@enerpac.com

The Netherlands, Belgium, Luxembourg, Central and Eastern Europe, Baltic States, Greece, Turkey and CIS countries

ENERPAC B.V.
Galvanistraat 115, 6716 AE Ede
P.O. Box 8097, 6710 AB Ede
The Netherlands
T +31 318 535 911
F +31 318 535 848
sales-nl@enerpac.com

Enerpac Integrated Solutions B.V.

Spinelstraat 15, 7554 TS Hengelo
P.O. Box 421, 7550 AK Hengelo
The Netherlands
T +31 74 242 20 45
F +31 74 243 03 38
integratedsolutions@enerpac.com

South Africa and other English speaking African countries

Enerpac Africa Pty Ltd.
No. 5 Bauhinia Avenue
Cambridge Office Park
Block E
Highveld Techno Park
Centurion 0157
Republic of South Africa
T: +27 12 940 0656
sales-za@enerpac.com

United Kingdom and Ireland

ENERPAC UK Ltd.
5 Coopies Field
Morpeth, Northumberland
NE61 6JR, England
T +44 (0) 1670 5016 50
F +44 (0) 1670 5016 51
sales-uk@enerpac.com

USA, Latin America and Caribbean

ENERPAC World Headquarters
P.O. Box 3241
Milwaukee WI 53201-3241 USA
N86 W12500 Westbrook Crossing
Menomonee Falls, Wisconsin 53051
T +1 262 293 1600
F +1 262 293 7036
User inquiries:
T +1 800 433 2766
Distributor inquiries/orders:
T +1 800 558 0530
F +1 800 628 0490
Technical inquiries:
techservices@enerpac.com
sales-us@enerpac.com

All Enerpac products are
guaranteed against defects
in workmanship and materials
for as long as you own them.

For the location of your nearest
authorized Enerpac Service Center,
visit us at www.enerpac.com

082615