

L2071 Rev. O

For Date Codes Beginning With "C"

Torque item 18 to 12-18 in-lbs. Apply Loctite 242 to threads.

Seal motor end cap to pump manifold at the rods and center boss using RTV sealant.

Attach item 24 to item 10.

Torque item 15 to 34-38 in-lbs. (39,2-43,7 cm/kg).

Torque item 121 to 16-19 ft-lbs. (22-26 Nm).

Torque item 195 to 6-10 ft-lbs. (8-13 Nm).

Torque item 5 to 47-53 in-lbs. (5,3-6,0 Nm).

Torque item 138 to 25-30 in-lbs. (28,8-34,5 cm/kg). Apply Loctite 242 to threads.

Apply Loctite 545 to threads of item 148.

Align tube to face gear mesh to allow for splash lubrication.

Set relief valve (item 150) to 250-400 psi (17,3-27,9 bar). Stake threads after setting relief valve.

Torque item 109 to 15-16 ft-lbs. (20-22 Nm).

Install item 117 flush to .010" (.25 mm) recessed from manifold surface.

Apply sealant to the top of the reservoir before applying the cork gasket. Do not use any sealant on the nitrile gasket.

Pendant Wiring:	
Jog	Terminal 1 - White
	Terminal 2 - Black

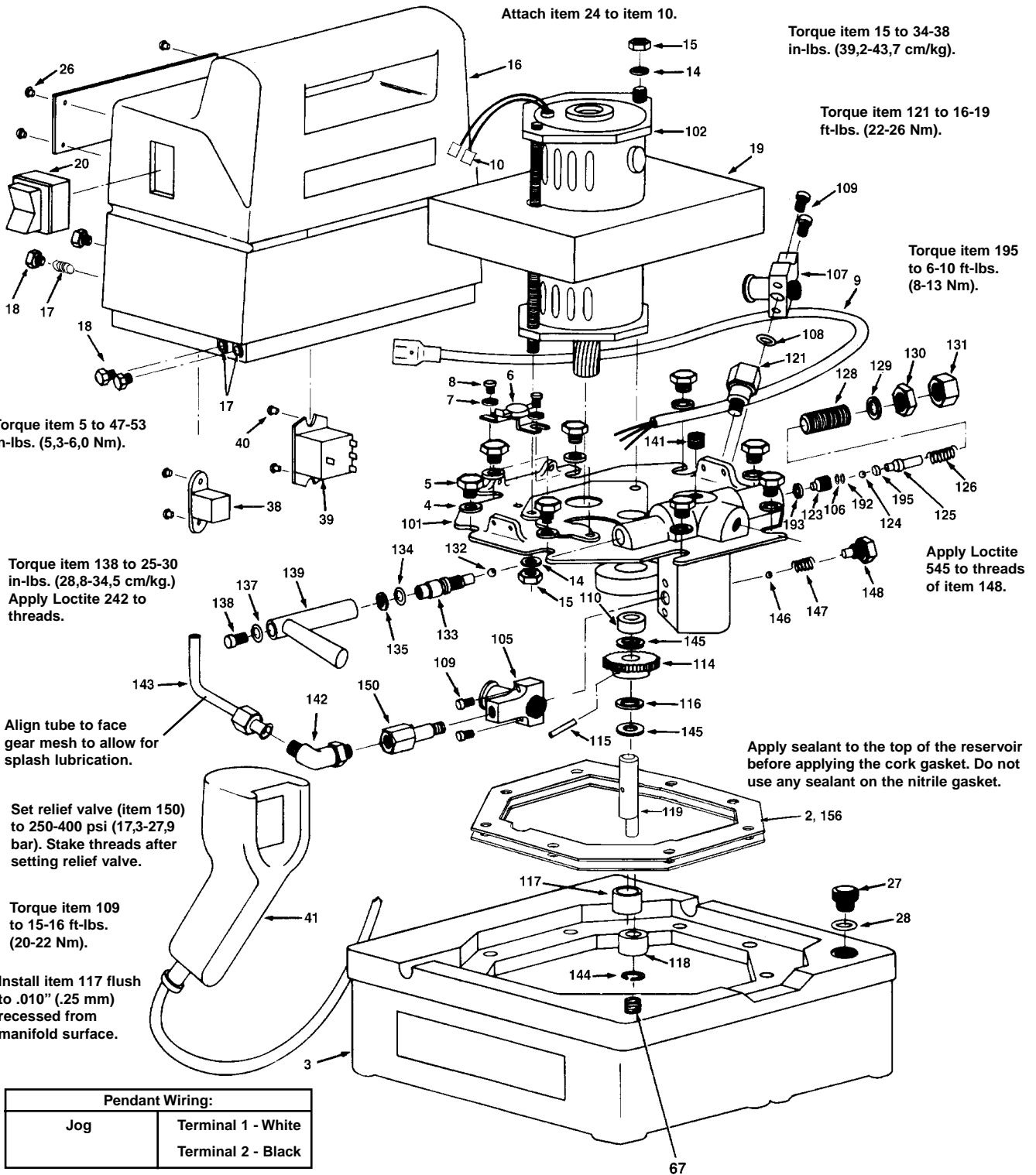


Figure 1: Exploded View.

Table 1: Repair Parts for Figure 1

Item	Part Number	Qty.	Description
2	★DA12088167SR	1	Gasket (includes item 156)
3	DA1910900SR	1	Reservoir Assy. (For 1200 Versions)
	DA4780900SR	1	Reservoir Assy. (For 1201 Versions)
4	DA6954167	8	Washer
5	B2521028	8	Screw
6	E1100004	1	Thermostat
7	C701222	2	Washer
8	F658028	2	Screw
9	DA3709900SR	1	Power Cord (For "B" Versions)
	DA3728900SR	1	Power Cord (For "E" Versions)
10	DA3776006	2	Pin
11	DA11539380	1	Receptacle
14	DA15066	3	Lockwasher
15	B1018121	3	Hex Nut
16	CONTACT ENERPAC		Shroud Assy.
17	CW261225	6	Eyelet
18	F866028	6	Screw
19	CW259298	1	Baffle
20	E1500002	1	Switch
21	DA3712900	1	Wire Assy.
22	DA3730900SR	1	Wire Assy.
23	DA3711900SR	1	Wire Assy.
24	DA11540380	1	Receptacle
26	CU971003	4	Pop Rivet
27	DA608024	1	Vent Plug
28	★B1906503	1	O-Ring
38	E300006	1	Transformer (For "B" Versions)
	E300007	1	Transformer (For "E" Versions)
39	E1300008	1	Relay
40	CW350003	4	Pop Rivet
41	CR881900SR	1	Pendant Assy.
42	DA1973900SR	1	Wire Assy.
43	DA3713900SR	1	Wire Assy.
44	DA1975900SR	1	Wire Assy.
45	DA1976900SR	1	Wire Assy.
67	A1009245	1	Plug

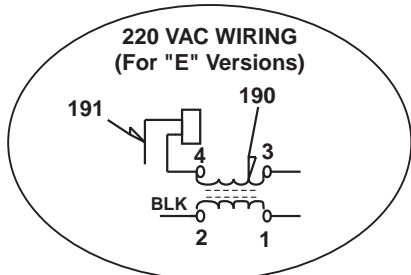
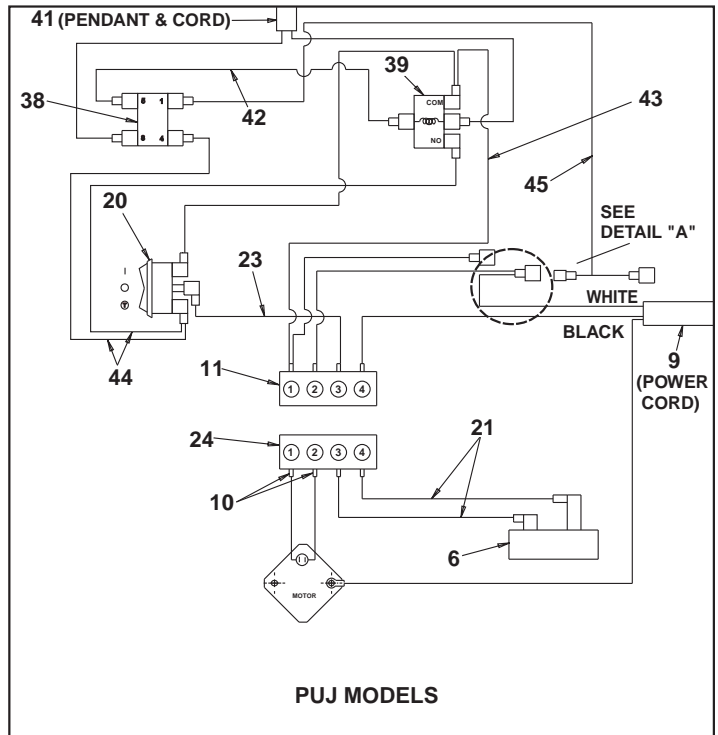
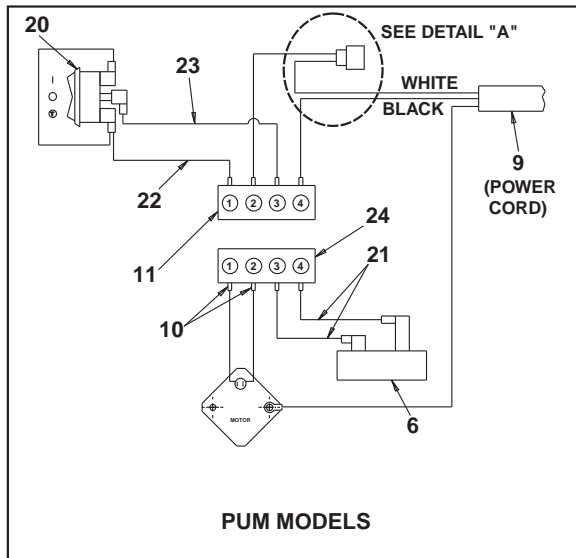
Item	Part Number	Qty.	Description
101	DA12486840SR	1	Pump Manifold includes items 106, 121, 123, 148, 191, 193, 195
102	CW179259	1	Motor (For "B" versions)
	DC370259	1	Motor (For "E" models)
105	CW298950SR	1	.53 Piston Block
106	★B1007503	2	O-Ring
107	CW299950SR	1	.24 Piston Block
108	★B1012803	1	O-Ring
109	B1008028	4	Screw
110	CW252107	1	Bearing
114	CW301228	1	Driven Gear
115	★B1097057	1	Spring Pin
116	CW199107	1	Bearing
117	CW251107	1	Bearing
118	CW302107	1	Bearing
119	CW303104	1	Shaft
121	DA5999900SR	1	Relief Valve
123	DA12199290	1	Ball Seat Insert
124	★B1004016	1	Ball (.156 inch)
125	DA12357013	1	Ball Guide
126	A109164	1	Spring
128	DA252028	1	Adjustment Screw
129	★S1167	2	Gasket
130	CW306055	1	Lock nut
131	CW307055	1	Cap nut
132	★B1009016	1	Ball (.312 inch)
133	C790010SR	1	Stem
134	★B1111203	1	Viton O-Ring
135	★B1111564	1	Washer
137	B1086066	1	Lockwasher
138	B1323028	1	Socket head screw
139	DA544070SR	1	Handle
141	A1016245	1	Plug
142	DA1011096	1	Elbow
143	DA261268	1	Tube
144	CW467044	1	Retaining ring
145	★DA445107	2	Bearing

★ Indicates items included in and available only as part of Repair Kit PUJ1200BK1.

Table 1: Repair Parts for Figure 1 (continued)

Item	Part Number	Qty.	Description	Item	Part Number	Qty.	Description
146	★B1007016	1	Ball (.25 inch)	190	DC374900	1	Choke Assembly (For "E" Versions)
147	★DA1564110	1	Spring	191	DC388900	1	Wire Assembly (For "E" Versions)
148	DC433950	1	Plug Assy.	192	B1012565	1	Backup Washer
150	DA610900SR	1	Relief Valve	193	★DC19503	1	O-Ring
156	★SEE ITEM 2	1	Gasket	195	DC866027	1	Lock Screw

★ Indicates items included in and available only as part of Repair Kit PUJ1200BK1.



DETAIL A

Figure 2: Wiring Diagrams.

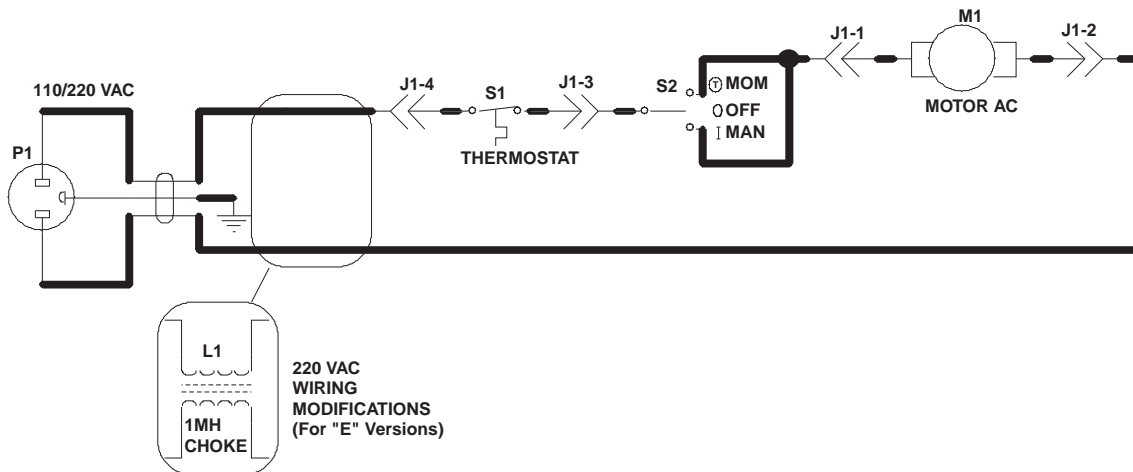


Figure 3: Electrical Schematic for PUM Models.

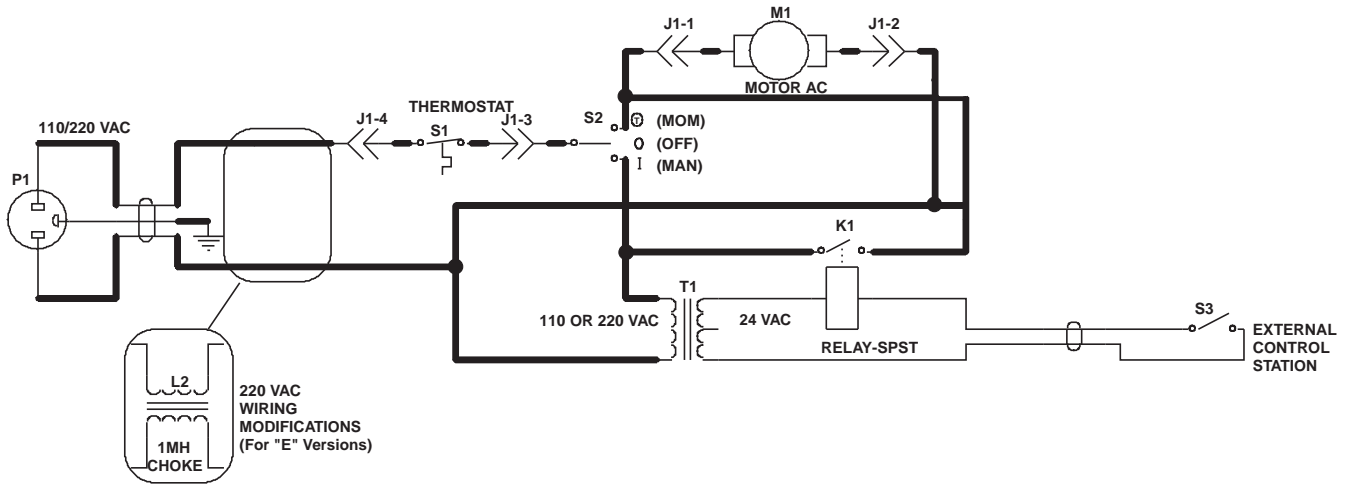


Figure 4: Electrical Schematic for PUJ Models.

Motor Brush Kits:

DA9655380	brush kit for 115 volt motor
DA9656380	brush kit for 230 volt motor
DA9657000	brush cap

Australia

Enerpac
Block V, Unit 3
Regents Park Estate
391 Park Road
Regents Park NSW 2143
Tel: (61) (2) 743-8988
Fax: 8232-674-7747

CIS

Applied Power Moscow
Leninski Prospekt 95A
117313 Moscow
Tel: (095) 936 2005
Fax: (095) 936 2005

France

Enerpac
B.P. 200
Parc d'Activitiés du Moulin
de Massy
91882 Massy Cedex, France
Tel: (33) 1-60 13 68 68
Fax: (33) 1-69 20 37 50

Hongkong

Enerpac
Room No. 907, Workingberg
Commercial Building
41-47 Marble Road, North Point
Tel: (852) 561-6295
Fax: (852) 561-6772

Latin America and Caribbean

Enerpac
13000 West Silver Spring Drive
Butler, Wisconsin 53007
Tel: (414) 781-6600 ext. 263
Fax: (414) 781-5561

Spain

Enerpac
Calle de la Imprenta, 7
Poligono Industrial
28100 Alcobendas, Madrid
Spain
Tel: (34) 1-6611125
Fax: (34) 1-6614789

Eastern Europe and Other European Countries,

Middle East, and Africa

Enerpac
47, avenue Blanc
P.O. Box 67, CH-1211
Geneva 21, Switzerland
Tel: (41) 22-731 94 05
Telex: 412843
Fax: (41) 22-731 12 15

Belgium, Holland, and Luxemburg

Enerpac B.V.
P.O. Box 269, Storkstraat 25
3900AG Veenendaal
Holland
Tel: (0318) 535911
Fax: (0318) 525613 or 526645

Germany

Enerpac
Mündelheimer Weg 51
P.O. Box 300 113
D-40401 Düsseldorf 30
Tel: (49) (221) 41707-0
Telex: 8582790
Fax: (49) (211) 4170740

India

Enerpac
Hydraulic Technology (India) Pvt
Ltd
203 Vardhaman Chamber
Plot #84, Sector 17
Vashi, New Bombay 400 705
Maharashtra
Tel: 91-22-7631062
Fax: 91-22-7670309

Mexico

Enerpac
Blvd. Gral. Felipe Angeles 1604
P.O. Box 362
Pachuca. Hidalgo 42080
Mexico
Tel: (52) 771 3-3700
Fax: (52) 771 3-1196 or
(52) 771 8-3800

United Kingdom

Enerpac
Leacon Road
Ashford, Kent
TN23 4TU
England
Tel: 44-1233-639871
Telex: 966 450
Fax: 44-1233-643923

Canada

Enerpac
13000 West Silver Spring Drive
Butler, Wisconsin 53007, USA
Tel: (800) 426-4129 User
Tel: (800) 426-2284 Distributor
Fax: (414) 781-1049

Far East

Enerpac
47 Jalan Pemimpin
#01-02 & 01-03
Sin Cheong Building
Singapore 2057
Thomson Road P.O. Box 114
Singapore 9157
Tel: (65) 2581677
Telex: RS24882 APOWR
Fax: (65) 2582847

Italy

Enerpac
Via Canova, 4
20094 Corsico
Milano, Italy
Tel: 39-2-4582741
Fax: 39-2-48601288

Japan

Applied Power Japan
10-17 Sasame
Kita-cho, Toda-Shi
Saitama 335,
Japan
Tel: 81-0484-22-2251
(Administration)
0484-21-2311 (Sales)
Telex: J26275
Fax: 81-0484-22-0596

South Korea

Enerpac
163-12, Dodang-Dong
Wonmi-Ku,
Buchun-Shi, Kyunggi-Do
Republic of Korea
Tel: (82) (32) 6750836
Fax: (82) (32) 6753002

United States

Enerpac
13000 West Silver Spring Drive
Butler, Wisconsin 53007, USA
Tel: (414) 781-6600
1-800-433-2766 (End User)
1-800-558-0530 (Distributor)
Fax: (414) 781-1049



All Enerpac products are guaranteed against defects in workmanship and materials for as long as you own them. Under this guarantee, free repair or replacement will be made to your satisfaction.

For prompt service, contact your Authorized Enerpac Service Center or call toll free:

In U.S.A. 1-800-558-0530
In Canada 1-800-426-2284

PRINTED IN U.S.A.