

To Protect Your Warranty, Use Only ENERPAC Hydraulic Oil.

Enerpac recommends that all kit components be installed to insure optimum performance of the repaired product.



Specifications	"B" Version	"E" Version
Operating Pressure	0 - 10,000 psi (700 bar)	
Electrical Power Source	15 Amp 120 V Grounded 1 ph 50/60 Hz	220 V 1 ph. 50/60 Hz
Motor Rating	1/2 hp Universal, 9 amps @ 10,000 (700 bar) RPM operates at 60-125 Volts 85-89 dbA	.37 kW Universal 4 amp @ 10,000 psi (700 bar) & 12,000 RPM 85-89 dbA
Flow Rate	200 in ³ /min. (2.6 l/min) @ 0 psi (0 Bar) to 200 psi (14 bar) 20 in ³ /min. (.330 l/min) @ 10,000 psi (700 Bar)	
Operating Temperature	150 °F (65.5 °C)	
Reservoir Capacity	.75 gallon (2.8 l) total .50 gallon (1.9 l) usable	
Shipping Weight	29 lbs. (13.2 kg) - PUGD-1000B/E & PUJ-1200B/E = 27 lb. (12.3 kg) 32 lbs. (14.5 kg) - PUJ-1400B/E	

NOTE: SEAL MOTOR END CAP TO PUMP MANIFOLD AT THE RODS AND CENTER BOSS USING RTV SEALANT.

NOTE: TORQUE ITEM #59 TO 12-18 IN./LBS. APPLY LOCTITE 242 TO THREADS.

TORQUE ITEM #4 TO 34-38 IN./LBS.

TORQUE ITEM #9 TO 15 - 16 FT./LBS. DRY.

ADJUST RELIEF, ITEM #18, TO 10,000 PSI MAX.

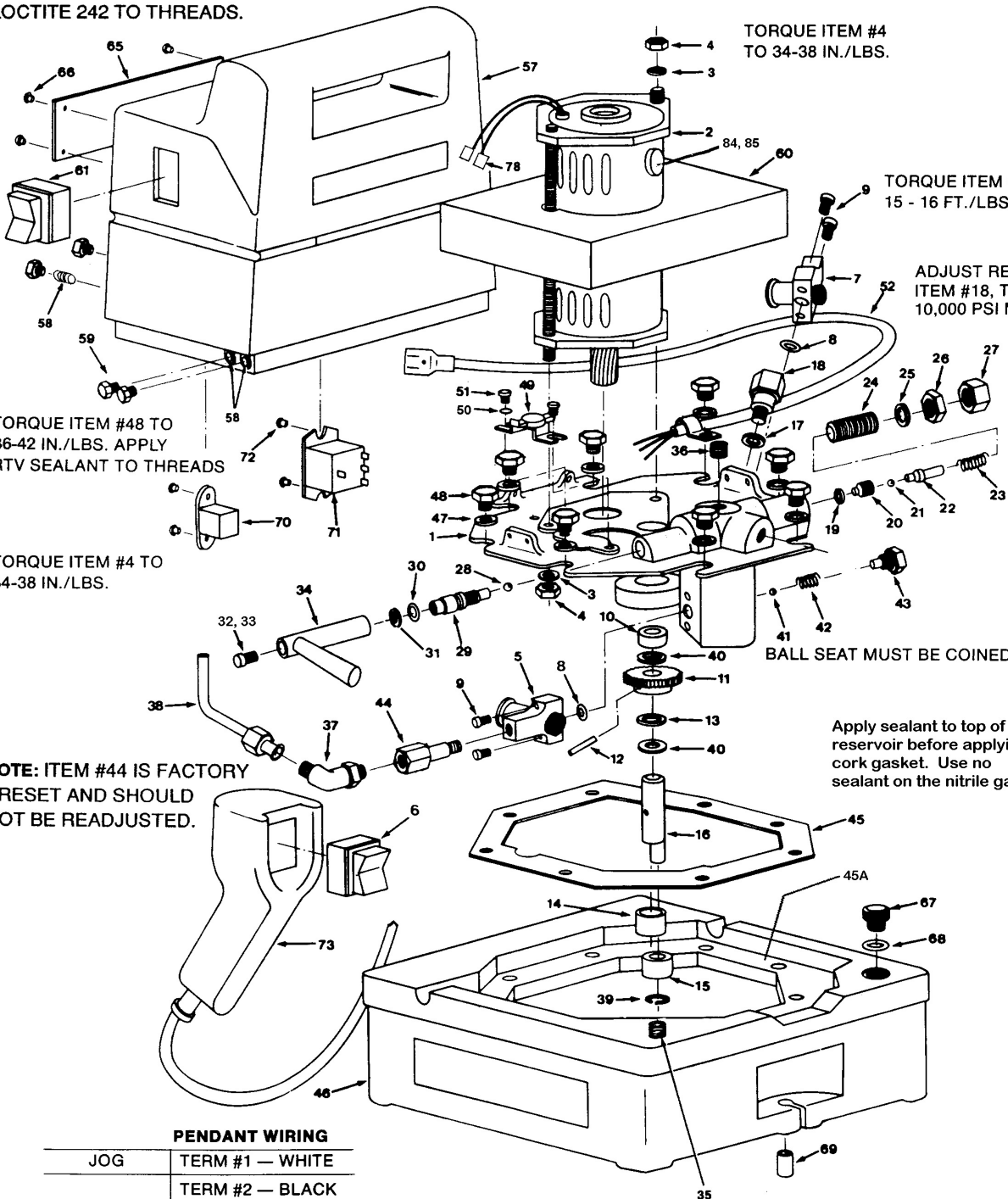
TORQUE ITEM #48 TO 36-42 IN./LBS. APPLY RTV SEALANT TO THREADS

TORQUE ITEM #4 TO 34-38 IN./LBS.

BALL SEAT MUST BE COINED.

Apply sealant to top of reservoir before applying cork gasket. Use no sealant on the nitrile gasket.

NOTE: ITEM #44 IS FACTORY PRESET AND SHOULD NOT BE READJUSTED.



PENDANT WIRING

JOG	TERM #1 — WHITE
	TERM #2 — BLACK
REMOTE	TERM #2B — GREEN
	TERM #2 — BLACK
	TERM #2A — WHITE

Repair Parts List

Item	Part Number	Qty.	Description	Item	Part Number	Qty.	Description
1	CW17.001	1	Pump Manifold	39	★ CW467.044	1	Retaining Ring
2	CW179.259	1	Motor	40	★ DA445.107	2	Bearing
3	DA15.066	3	Lockwasher	41	★ B1007.016	1	1/4" Ball
4	B1018.121	3	Hex Nut	42	★ DA1564.110	1	Spring
5	CW298.950SR	1	.53 Piston Block Ass'y.	43	DA1569.950SR	1	Plug
6	CU911.372	1	Switch	44	DA610.900SR	1	Relief Valve Ass'y.
7	CW299.950SR	1	.24 Piston Block Ass'y.	45	★ CW266.167	1	Gasket
8	★ B1012.803	2	O-Ring	46	DA1910.900SR	1	Reservoir Ass'y.
9	B1008.028	4	Capscrew	47	DA1421.108	8	Washer
10	CW252.107	1	Bearing	48	B2521.028	8	Slot Head Screw
11	CW301.228	1	Driven Gear	49	E1100.004	1	Thermostat
12	★ B1097.057	1	Spring Pin, 3/16 x 1-1/4"	50	C701.222	2	Washer
13	★ CW199.107	1	Bearing	51	F658.028	2	Pan Head Screw
14	CW251.107	1	Bearing	52	DA3709.900SR	1	Power Cord
15	CW302.107	1	Bearing	57	DA3763.900SR	1	Shroud Assembly
16	CW303.104	1	Shaft	58	CW261.225	6	Eyelet
17	★ B159.167	1	Gasket	59	F866.028	6	Machine Screw
18	P181.190W	1	Relief Valve	60	CW259.298	1	Baffle
19	★ C846.037	1	Gasket	61	E1500.002	1	Switch
20	DA5771.290	1	Seat	65	See Note	1	Nameplate
21	★ B1004.016	1	5/32" Ball	66	CU971.003	4	Pop Rivet
22	A8020.013	1	Ball Guide	67	DA608.024	1	Vent Plug
23	★ A109.164	1	Spring	68	★ B1906.503	1	O-Ring
24	DA252.028	1	Screw	69	DA931.225	2	Insert
25	★ S1.167	2	Gasket	70	E300.006	1	Transformer
26	CW306.055	1	Lock Nut	71	E1300.008	1	Relay
27	CW307.055	1	Cap Nut	72	CW350.003	4	Pop Rivet
28	★ B1009.016	1	5/16" Ball	73	CR881.900SR	1	Pendant Assembly
29	C790.010	1	Stem	74	DA1973.900SR	1	Wire Assembly
30	★ B1009.503	1	O-Ring	75	DA3713.900SR	1	Wire Assembly
31	★ B1111.564	1	Back-Up Washer	76	DA1975.900SR	1	Wire Assembly
32	B1086.066	1	Washer	77	DA1976.900SR	1	Wire Assembly
33	B1323.028	1	Socket Head Screw	78	DA3776.006	2	Pin
34	DA544.070	1	Handle	79	DA3711.900SR	1	Wire Assembly
35	A1009.245	1	Plug	80	DA3774.380	1	Socket
36	A1016.245	1	Plug	81	DA3773.380	1	Socket
37	DA1011.096	1	Elbow	82	DA3712.900SR	2	Wire Assembly
38	DA261.268	1	Tube	83	DA3730.900SR	1	Wire Assembly

★ Indicates Items Included in, and Available Only as Part of Repair Kit PUJ1200BK1.

NOTE: Contact Enerpac for replacement nameplate.

E" version part numbers differ for the following items:

Item 2 - DA2119.259; Item 52 - DA3728.900SR;

Item 70 - E300.007

Enerpac Worldwide Locations

Australia

ENERPAC, Applied Power
Australia Ltd.
Block V Unit 3
Regents Park Estate
391 Park Road
Regents Park NSW 2143
(P.O. Box 261) Australia
Tel: +61 297 438 988
Fax: +61 297 438 648

Brazil

Power Packer do Brasil Ltda.
Rua dos Inocentes, 587
04764-050 - Sao Paulo (SP)
Tel: +55 11 5687 2211
Fax: +55 11 5686 5583
Toll Free in Brazil:
Tel: 000 817 200 6718
vendabrasil@enerpac.com

Canada

Actuant Canada Corporation
6615 Ordan Drive, Unit 14-15
Mississauga, Ontario L5T 1X2
Tel: +1 905 564 5749
Fax: +1 905 564 0305
Toll Free:
Tel: +1 800 268 4987
Fax: +1 800 461 2456
Technical Inquiries:
techservices@enerpac.com

China

Actuant China Ltd.
1F, 269 Fute N. Road
Waigaoqiao Free Trade Zone
Pudong New District
Shanghai, 200 131 China
Tel: +86 21 5866 9099
Fax: +86 21 5866 7156

Actuant China Ltd. (Beijing)
709A Xin No. 2
Diyang Building
Dong San Huan North Rd.
Beijing City, 100028 China
Tel: +86 10 845 36166
Fax: +86 10 845 36220

Greece, Central and Eastern Europe

ENERPAC B.V.
Storkstraat 25
P.O. Box 269, 3900 AG Veenendaal
The Netherlands
Tel: +31 318 535 911
Fax: +31 318 525 613
+31 318 535 848

France, Africa

ACTUANT FRANCE S.A.
B.P. 200
Parc d'Activités
du Moulin de Massy
F-91882 Massy CEDEX
(Paris) France
Tel: +33 1 601 368 68
Fax: +33 1 692 037 50

Germany, Austria

ENERPAC
Applied Power GmbH
P.O. Box 300113
D-40401 Düsseldorf
Germany
Tel: +49 211 471 490
Fax: +49 211 471 49 28

India

ENERPAC Hydraulics
(India) Pvt. Ltd.
Plot No. A/571
MIDC, TTC Industrial Area
Mahape-400 701
Navi Mumbai, India
Tel: +91 22 778 1779
Fax: +91 22 778 1473

Italy

ENERPAC
Applied Power Italiana S.p.A.
Via Canova 4
20094 Corsico (Milano)
Tel: +39 02 4861 111
Fax: +39 02 4860 1288

Japan

Applied Power Japan Ltd.
1-1-11, Shimomae
Toda-shi
Saitama Pref.
Japan 335-0016
Tel: +81 48 430 2311
Fax: +81 48 430 1117

◆ e-mail: info@enerpac.com

Mexico

ENERPAC Applied Power
Mexico S. de R.L. de C.V.
Avenida Principal
La Paz #100
Fracc. Industrial La Paz
42092 Pachuca, Hidalgo
Tel: +52 771 71851 60
+52 771 71870 22
+52 771 71352 32
Toll Free in Mexico:
Tel: 001 800 590 0130

The Netherlands, Belgium, Luxembourg, Sweden, Denmark, Norway, Finland

ENERPAC B.V.
Storkstraat 25
P.O. Box 269, 3900 AG Veenendaal
The Netherlands
Tel: +31 318 535 911
Fax: +31 318 525 613
+31 318 535 848

Russia and CIS (excl. Caspian Sea Countries)

ENERPAC
Leninsky Prospect 95A
117313, Moscow, Russia.
Tel/Fax: +7(095) 936-2005
Tel/Fax: +7(095) 198-3094
Tel/Fax: +7(095) 938-4655
Mobil: +7(903) 731-9558

Singapore

Actuant Asia Pte. Ltd.
25 Serangoon North Ave. 5
#03-01 Keppel Digihub
Singapore 554914
Thomson Road
P.O. Box 114
Singapore 915704
Tel: +65 64 84 5108
+65 64 84 3737
Fax: +65 64 84 5669

South Korea

ENERPAC
Applied Power Korea Ltd.
163-12 Dodang-Dong
Wonmi-Ku, Buchun-shi
Kyunggi-Do
Republic of Korea
Tel: +82 32 675 08 36
Fax: +82 32 675 30 02/73

◆ internet: www.enerpac.com

Spain, Portugal

ENERPAC
C/San José Artesano 8
Pol. Ind.
28108 Alcobendas
(Madrid) Spain
Tel: +34 91 661 11 25
Fax: +34 91 661 47 89

Middle East, Turkey and Caspian Sea

ENERPAC Middle East FZE
P.O. Box 18004
Jebel Ali, Dubai
United Arab Emirates
Tel: +971 (0)4 8872686
Fax: +971 (0)4 8872687

United Kingdom, Ireland

ENERPAC Ltd., P.O. Box 33
New Romney, TN28 8QF
United Kingdom
Tel: +44 01527 598 900
Fax: +44 01527 585 900

USA, Latin America and Caribbean

ENERPAC
P.O. Box 3241
6100 N. Baker Road
Milwaukee, WI 53209 USA
Tel: +1 262 781 6600
Fax: +1 262 783 9562

User inquiries:

+1 800 433 2766

Distributor inquiries/orders:

+1 800 558 0530

Technical Inquiries:

techservices@enerpac.com