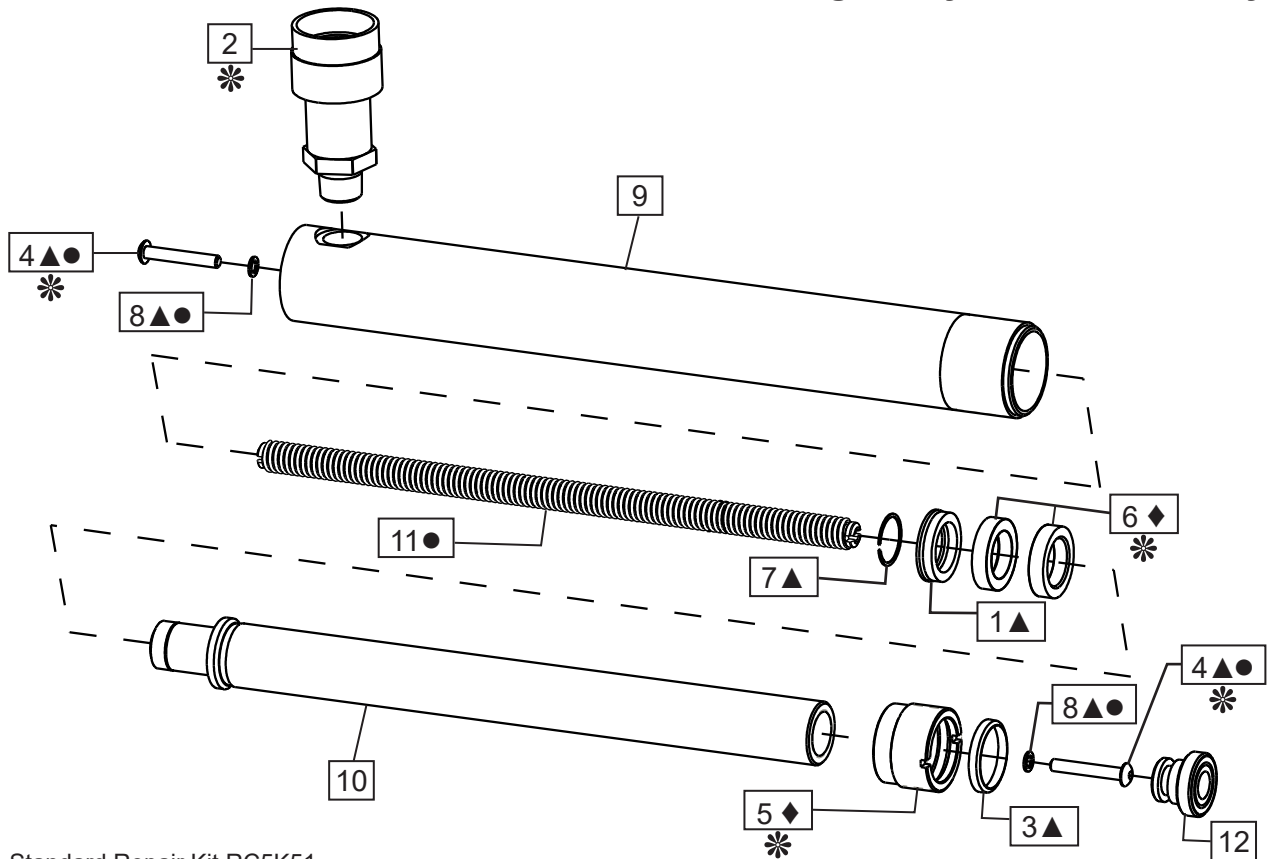


Repair Parts Sheet	Revision	Revision Date	Product Code Beginning
L3013	Rev. E	12/2021	B

**Fig. 1, Cylinder Assembly**



- ▲ = Standard Repair Kit RC5K51.
- = Spring Kit (varies by cylinder model - see page 2).
- ▲ + ◆ = Premium Repair Kit RC5K71.
- \* = See **Notes** section for additional information.



(*) Notes	
Item	Torque / notes
2	54 - 81 Nm, 40 - 60 Ft - Lbs Use Loctite 545 or Teflon tape on threads.
4	4.5 Nm, 45 In - Lbs
5	7.9 - 10.2 Nm, 70 - 90 In - Lbs Use Loctite 222 on threads.
6	RC-51, RC-53 and RC-55: Quantity is 1. RC-57 and RC-59: Quantity is 2.

**Note: See Page 2 for parts list.**

## Repair Parts List, Figure 1

# L3013

Item	Description	Qty.	Part Number				
			RC-51	RC-53	RC-55	RC-57	RC-59
1	U-Cup ▲	1	CB765041	CB765041	CB765041	CB765041	CB765041
2	Coupler	1	CR-400	CR-400	CR-400	CR-400	CR-400
3	Wiper Ring ▲	1	F540044	F540044	F540044	F540044	F540044
4	Capscrew, Button Hd ▲●	2	B2570028	B2570028	B2570028	B2570028	B2570028
5	Stop Ring ◆	1	F748044	F748044	F748044	F748044	F748044
6	Rod Bearing ◆	1	G953107	G953107	G953107	---	---
		2	---	---	---	G953107	G953107
7	Ring ▲	1	G957044	G957044	G957044	G957044	G957044
8	Gasket ▲●	1	W22237	W22237	W22237	W22237	W22237
9	Base	1	(Not Available)	(Not Available)	(Not Available)	(Not Available)	(Not Available)
10	Plunger	1	(Not Available)	(Not Available)	(Not Available)	(Not Available)	(Not Available)
11	Spring ●	1	DD2325110	DD2328110	DD2331110	DD2334110	DD2337110
12	Saddle, Grooved	1	A53G	A53G	A53G	A53G	A53G
N/S	Saddle, Flat	1	A53F	A53F	A53F	A53F	A53F
N/S	O-Ring Coupler ▲	1	B1116803	B1116803	B1116803	B1116803	B1116803
N/S	Dust Cap ▲	1	DD1782020	DD1782020	DD1782020	DD1782020	DD1782020
N/S	Thread Protector ▲	1	DD1773271	DD1773271	DD1773271	DD1773271	DD1773271
N/S	O-Ring Saddle ▲	1	B1205503	B1205503	B1205503	B1205503	B1205503
N/S	Enerpac Decal ▲	1	DD2215026	DD2215026	DD2215026	DD2216026	DD2216026
N/S	Warning Decal ▲	1	CH272026	CH272026	DA5625026	DA5625026	DA5625026
▲	Repair Kit, Standard	-	RC5K51	RC5K51	RC5K51	RC5K51	RC5K51
◆ + ▲	Repair Kit, Premium	-	RC5K71	RC5K71	RC5K71	RC5K71	RC5K71
●	Spring Kit	-	RC5K31	RC5K32	RC5K33	RC5K34	RC5K35

**Notes:**

Premium repair kit includes all standard (▲) repair kit items plus additional premium (◆) items.  
 N/S = Item not shown.  
**IMPORTANT:** Shaded items are available only in kits (not sold separately).

Cylinders with Viton components only: Order Repair Kit RC53KV in addition to Repair Kit RC5K51 or RC5K71.  
 Repair Kit RC53KV includes Viton components for items 1 and 3. Standard components are used in other locations.



**To maintain your warranty:**

- Use only Enerpac Oil
- Have your products inspected and repaired by an Enerpac Authorized Service Center



Visit [www.enerpac.com](http://www.enerpac.com) for the location of the Enerpac Authorized Service Center nearest you.