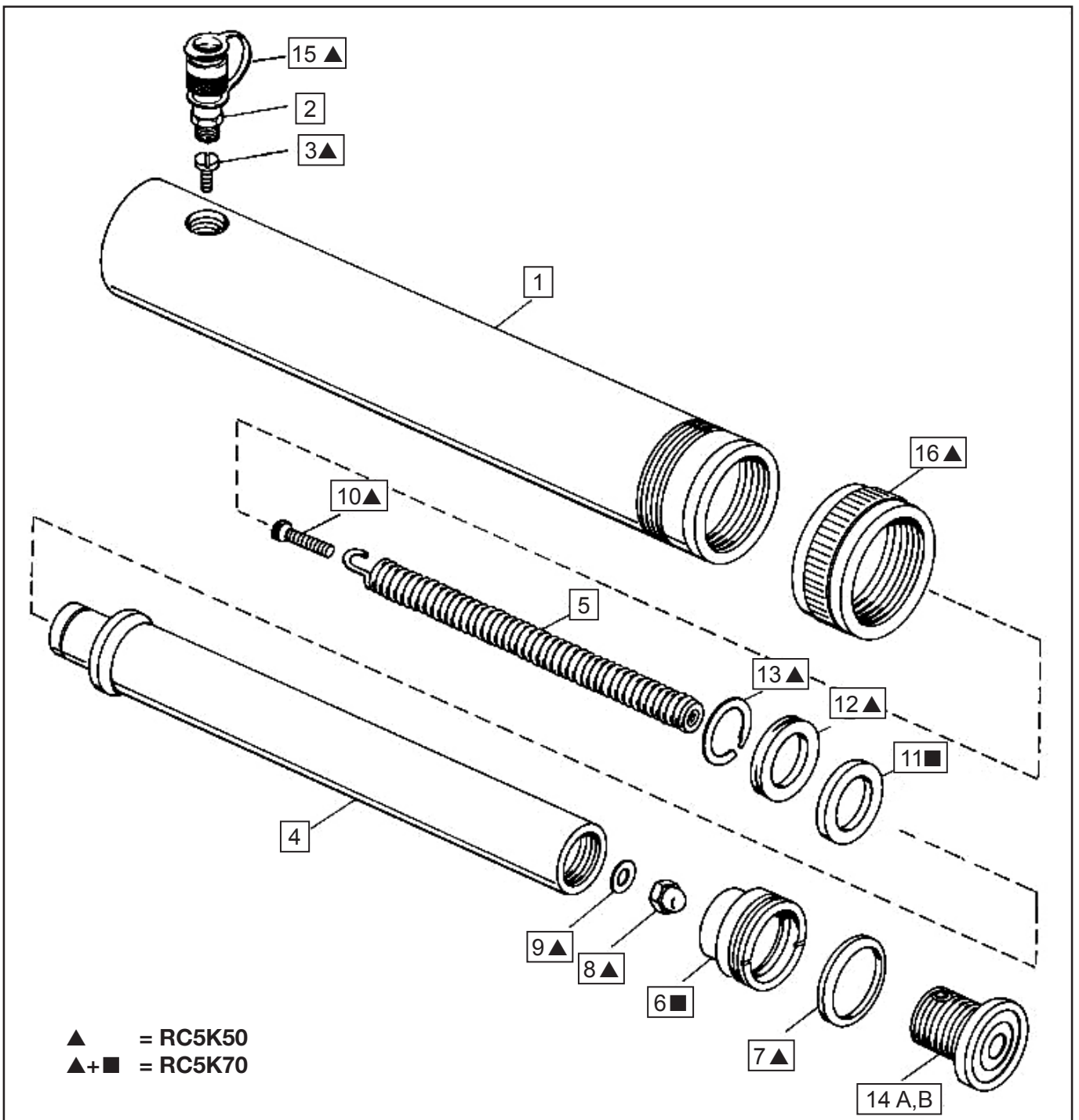


Repair Parts Sheet	Revision	Revision Date	Product Code Beginning
Reference nr. L2801	Rev.A	02/2009	A



Repair Parts List						L 2801		
Item nr.	Description	Qty.	RC51	RC53	RC55	RC57	RC59	
1	Cyl. Base	1	Not available, order new cylinder					
2	Coupler	1	CR400	CR400	CR400	CR400	CR400	
3	Screw	1	▲	▲	▲	▲	▲	
4	Plunger	1	Not serviceable, order new cylinder					
5	Spring assembly (includes items 8, 9 and 10)	1	M692110SR	F756110SR	A32184SR	CF452110SR	CF453110SR	
6	Stop Ring	1	■	■	■	■	■	
7	Wiper Ring	1	▲	▲	▲	▲	▲	
8	Acorn nut	1	▲	▲	▲	▲	▲	
9	Gasket	1	▲	▲	▲	▲	▲	
10	Screw	1	▲	▲	▲	▲	▲	
11	Rod Bearing	1	■	■	■	■	■	
12	U cup	1	▲	▲	▲	▲	▲	
13	Circlip Ring	1	▲	▲	▲	▲	▲	
14A	Grooved saddle	1	A53G	A53G	A53G	A53G	A53G	
14B	Flat Saddle	1	A53F	A53F	A53F	A53F	A53F	
15	Dust cap	1	▲	▲	▲	▲	▲	
16	Thread Protector.	1	▲	▲	▲	▲	▲	
17	O-ring Coupler (not shown)	1	▲	▲	▲	▲	▲	
18	Warning decal ( not shown )	1	▲	▲	▲	▲	▲	
19	Enerpac Decal ( not shown )	2	▲	▲	▲	▲	▲	
20	O- ring saddle ( not shown )	1	▲	▲	▲	▲	▲	

▲ = Items included in and available only as part of Seal Kit RC5K50

■ = Items included in and available only as part of Bearing Kit RC5K70. RC5K70 Includes 1x RC5K50)

For Viton seals , order Repair kit RC53KV



Item nr.	Torque / notes
2	34 – 81 Nm 25 – 60 ft lbs
2	Use Loctite 545 or Teflon tape
6	7.9 – 10.2 Nm 70 - 90 in lbs
6	Secure with Loctite 222
8	6.5 - 7.3 Nm 58 – 65 in lbs
10	Firmly tighten screw to assure contact with the plunger



To maintain your warranty,  
have your products inspected and repaired  
by an authorised Enerpac Service Centre

[www.enerpac.com](http://www.enerpac.com)