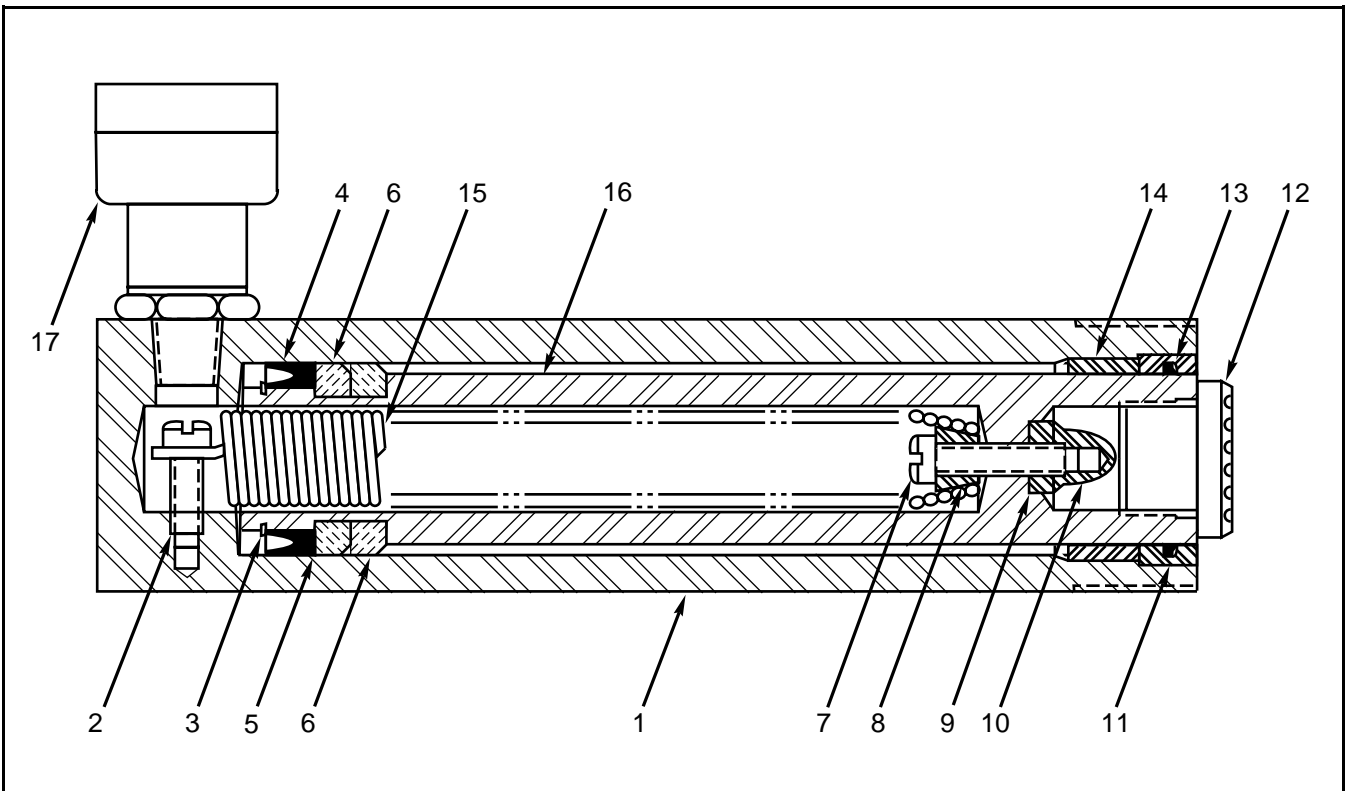


L-653  
 REV. D  
 05/97  
 PC 4210

Models RC-104, RC-106 & RC-1010 With Date Code Beginning With "A"  
 Model RC-101 With Date Code Beginning With "B"  
 Model RC-102 With Date Code Beginning With "C"  
 Models RC-108, RC-1012 & RC-1014 With Date Code Beginning With "D"

**ENERPAC RECOMMENDS THAT ALL KIT COMPONENTS BE INSTALLED  
 TO INSURE OPTIMUM PERFORMANCE OF THE REPAIRED CYLINDER**



- Note:** Rod bearings (Item 6) to be assembled with splits staggered 90° apart.
- Note:** Models RC-101, RC-102 and RC-104 do not have a Bushing, Gasket, Acorn Nut or Bearing Sleeve due to their lower stroke. These models have only one set of Rod Bearings.
- Note:** Cylinder Base, Item #1, is not available as a service item. Order complete cylinder.

SPECIFICATIONS								
Description	RC-101	RC-102	RC-104	RC-106	RC-108	RC-1010	RC-1012	RC-1014
Rated Capacity	10 Ton	10 Ton	10 Ton	10 Ton	10 Ton	10 Ton	10 Ton	10 Ton
Plunger Stroke	1 Inch	2 1/8 Inch	4 1/8 Inch	6 1/8 Inch	8 1/8 Inch	10 1/4 Inch	12 Inch	14 Inch
Hydraulic Pressure	10,000 PSI	10,000 PSI	10,000 PSI	10,000 PSI	10,000 PSI	10,000 PSI	10,000 PSI	10,000 PSI

TO PROTECT YOUR WARRANTY, USE ONLY ENERPAC HYDRAULIC OIL

**REPAIR PARTS LIST**

Item No.	Part Number								Qty.	Description
	RC-101	RC-102	RC-104	RC-106	RC-108	RC-1010	RC-1012	RC-1014		
2	★	★	★	★	★	★	★	★	1	Screw 1/4 - 28 UNF X 1"
3	★	★	★	★	★	★	★	★	1	Retaining Ring
4	★	★	★	★	★	★	★	★	1	U-Cup
5	★	★	★	★	★	★	★	★	1	Washer
6	G382107	G382107	G382107	G382107	G382107	G382107	G382107	G382107	2	Rod Bearing
7	DA2286028	DA2286028	DA2286028	(See Note A)	(See Note A)	(See Note A)	(See Note A)	(See Note A)	1	Screw
8	....	....	....	F948209	F948209	F948209	F948209	F948209	1	Bushing
9	....	....	....	★	★	★	★	★	1	Gasket
10	....	....	....	G833055	G833055	G833055	G833055	G833055	1	Acorn Nut
11	G385044	G385044	G385044	G385044	G385044	G385044	G385044	G385044	1	Bearing Stop Ring
12	....	A102G	A102G	A102G	A102G	A102G	A102G	A102G	1	Saddle Assembly
13	★	★	★	★	★	★	★	★	1	Wiper
14	....	....	....	G831446	G831446	G831446	G831446	G831446	1	Bearing Sleeve
15	L202110SR	L202110SR	CB425110SR	F937110SR	CF289110SR	F938110SR	CF290110SR	L119110SR	1	Spring (Incl. Item # 7,8,9,10)
16	DA2276040	DA2283040	DA2284040	G838040	CF371040	G830040	CF370040	CF369040	1	Plunger
17	CR-400	CR-400	CR-400	CR-400	CR-400	CR-400	CR-400	CR-400	1	Half Coupler
—	CD-411	CD-411	CD-411	CD-411	CD-411	CD-411	CD-411	CD-411	1	Dust Cap (Not Shown)
—	DC1242271	DC1242271	DC1242271	DC1242271	DC1242271	DC1242271	DC1242271	DC1242271	1	Thread Protector (Not Shown)

**Note A:** RC106 - RC1014 use a 1/4 - 28 UNF X 1 1/4 long.

★ Starred items are included in and available only as part of Repair Kit RC-102K.

**Australia**

ENERPAC  
Applied Power Australia, Ltd.  
P.O. Box 261 Regents Park  
Sydney, N.S.W. 2143  
Tel: (61) (2) 9743 8988  
Fax: (61) (2) 9743 8648

**CIS**

Applied Power Moscow  
Leninsky Prospekt 95A  
117313 Moscow, Russia  
Tel: (7)(95) 936 5090  
Fax: (7)(95) 936 2006

**France, Switzerland,  
Turkey, Greece, Africa,  
Middle East**

ENERPAC S.A.  
Parc d'Activité du Moulin  
de Massy  
1 rue du Saule trapu, BP200  
F-91882 Massy CEDEX  
(Paris) France  
Tel: (33) 1 60 13 68 68  
Fax: (33) 1 69 20 37 50

**Germany, Scandinavia,  
Eastern Europe, Austria,  
Switzerland**

ENERPAC  
Applied Power GmbH  
P.O. Box 30 01 13  
Mündelheimer Weg 51  
40401 Düsseldorf 30  
Germany  
Tel: (49) (211) 47 14 90  
Fax: (49) (211) 4714 928/940

**Holland, Belgium,  
and Luxemburg**

ENERPAC B.V.  
P.O. Box 269, Storkstraat 25  
3900AG Veenendaal  
Holland  
Tel: (31) (318) 535911  
Fax: (31) (318) 525613/526645

**Hong Kong**

ENERPAC  
Room No. 907, Workingberg  
Commercial Building  
41-47 Marble Road, North Point  
Tel: (852) 561-6295  
Fax: (852) 561-6772

**India**

ENERPAC  
Hydraulics (India) Pvt Ltd.  
203 Vardhaman Chamber  
Plot #84, Sector 17  
Vashi, New Bombay 400 705  
India  
Tel: 91-22-7631062  
Fax: 91-22-7670309

**Italy**

ENERPAC  
Applied Power Italiana S.p.A.  
Via Canova, 4  
20094 Corsico (Milano)  
Italy  
Tel: 39 2 45 82 741/2/3  
Fax: 39 2 48 60 12 88

**Japan**

Applied Power Japan LTD  
10-17 Sasame Kita-cho  
Toda-City  
Saitama 335,  
Japan  
Tel: 81 048 422 2251  
Telex: J26275  
Fax: 81 048 422 0596

**Mexico**

ENERPAC  
Applied Power Mexico S.A. de C.V.  
Av. Principal La Paz #100  
Fracc. Industrial La Paz  
42084 Pachuca, Hidalgo, Mexico  
Tel: (52) 771 33700  
Fax: (52) 771 83800

**Singapore**

Applied Power Asia Pte Ltd.  
47 Jalan Pemimpin #01-02  
01-03 Sin Cheong Building  
Singapore 2057  
Thomson Road P.O. Box 114  
Singapore 9157  
Tel: (65) 258 1677  
Fax: (65) 258 2847

**South Korea**

ENERPAC  
Applied Power Korea Ltd.  
163-12, Dodang-Dong  
Wonmi-gu, Buchun-Shi,  
Kyunggi-Do  
Korea  
Tel: (82) (32) 675 0836  
Fax: (82) (32) 675 3002

**Spain, Portugal**

ENERPAC  
Applied Power International, S.A.  
Calle de la Imprenta, 7  
Poligono Industrial  
28100 Alcobendas (Madrid)  
Spain  
Tel: (34) 1 661 11 25  
Fax: (34) 1 661 47 89

**United Kingdom, Ireland**

ENERPAC Ltd. Unit 3  
Colemeadow Road  
North Moons Moat  
Redditch, Worcester B98 9BP  
England  
Tel: 44 01527 598 900  
Fax: 44 01527 585 500

**United States, Canada,  
Latin America and  
Caribbean**

ENERPAC  
13000 West Silver Spring Drive  
Butler, Wisconsin 53007, USA  
Tel: (414) 781-6600  
1-800-433-2766 (End User)  
1-800-558-0530 (Distributor)  
Fax: (414) 781-1049

**Canada**  
Tel: 1-800-426-4129 (End User)  
Tel: 1-800-426-2284 (Distributor)

**Latin America and Caribbean**  
Tel: (414) 781-6600 ext. 263  
Fax: (414) 781-5561



**All Enerpac products are guaranteed against defects in workmanship and materials for as long as you own them. Under this guarantee, free repair or replacement will be made to your satisfaction.**

**For prompt service, contact your Authorized Enerpac Service Center or call toll free:**

**In U.S.A. 1-800-558-0530  
In Canada 1-800-426-2284**