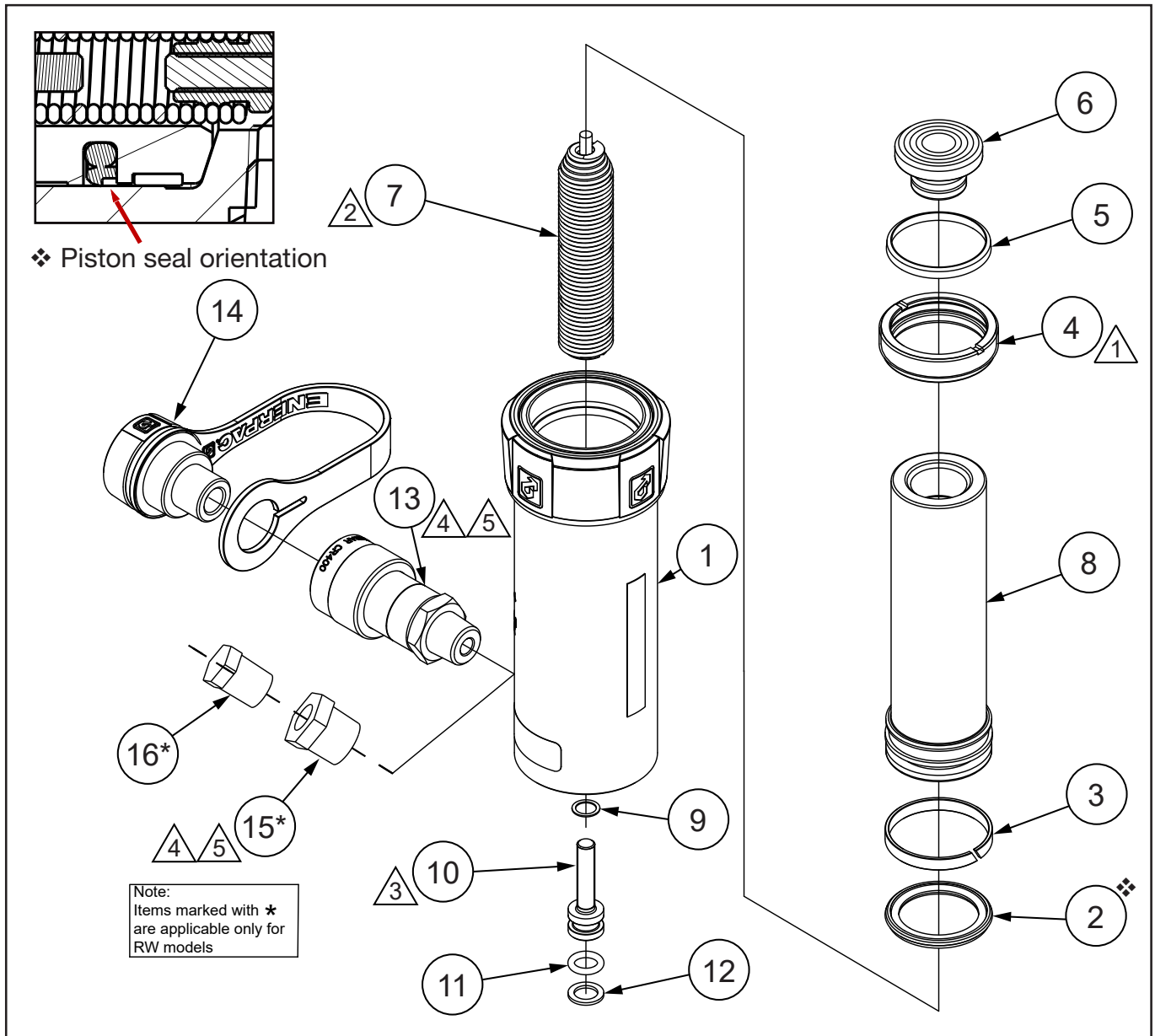


## Repair Parts Sheet

RC10 & RW10 Series Hydraulic Cylinders  
 RC101, RC102 & RC104  
 RW101, RW102, RW104 & RW106

Document Number	Revision	Revision Date	Product Date Code
L4283	Rev. E	06/2023	RC model F RW model E



(△) Notes	
Item	Torque / notes
1	Secure with Loctite 222 and torque to 70-90 in-lbs [7.9-10.2 Nm]
2	Torque to 48-60 in-lbs [5.4-6.8 Nm]
3	Torque to 90-110 in-lbs [10.2-12.4 Nm]
4	Torque to 40-60 ft-lbs [54-81 Nm]
5	Apply Loctite 545 or teflon tape

**Note: See Page 2  
for parts list.**

## Repair Parts List, Figure 1

Item	Description	Qty	Part Number						
			RC101	RC102	RC104	RW101	RW102	RW104	RW106
1	Base	1	N/A						
2	Piston seal	1	▲●						
3	Wear band, plunger	1	▲★						
4	Stop ring	1	RC10044						
5	Wiper	1	▲✘						
6	Saddle assembly	1	N/A	A102G		N/A	A102G		
7	Spring assembly	1	RC10K31	RC10K31	RC10K32	RC10K31	RC10K31	RC10K32	RC10K33
8	Plunger	1	RC101040	RC102040	RC104040	RC101040	RC102040	RC101040	RC102040
9	Copper gasket	1	▲■						
10	Screw, socket head	1	▲■						
11	O-ring	1	▲■						
12	Backup, split	1	▲■						
13	Coupler	1	CR400			N/A			
14	Dust cap	1	CD411			N/A			
15	Reducer bushing	1	N/A			CJ657032			
16	Pipe plug	1	N/A			A8069006			
N/S	O-ring, coupler	1	▲						
N/S	Enerpac decal	1	▲						
N/S	Warning decal	1	▲						
N/S	O-ring, saddle	1	N/A	▲		N/A	▲		
N/S	Thread protector	1	▲						

**Notes:**

- ▲ Indicated item included in and available as a part of the Repair Kit RC10NK0<sup>(1)</sup>
- Indicated item included in and available as a part of the Spring Assembly
- Indicated item included in and available as packs of 10 units in Seal Kit RC10NKS (see below)
- ★ Indicated item included in and available as packs of 10 units in Wear Band Kit Plunger RC10NKB1 (see below)
- ✘ Indicated item included in and available as packs of 10 units in Wiper Kit RC10NKW (see below)

●★✘ Kits only available in America

<sup>(1)</sup> Viton® seals are available in the RC10NK0V seal kit. Viton® equipped coupler CR400V can also be ordered separately for a complete conversion.