

Document Number	Revision	Revision Date	Product Date Code Beginning With
L4284	Rev. D	06/2022	F

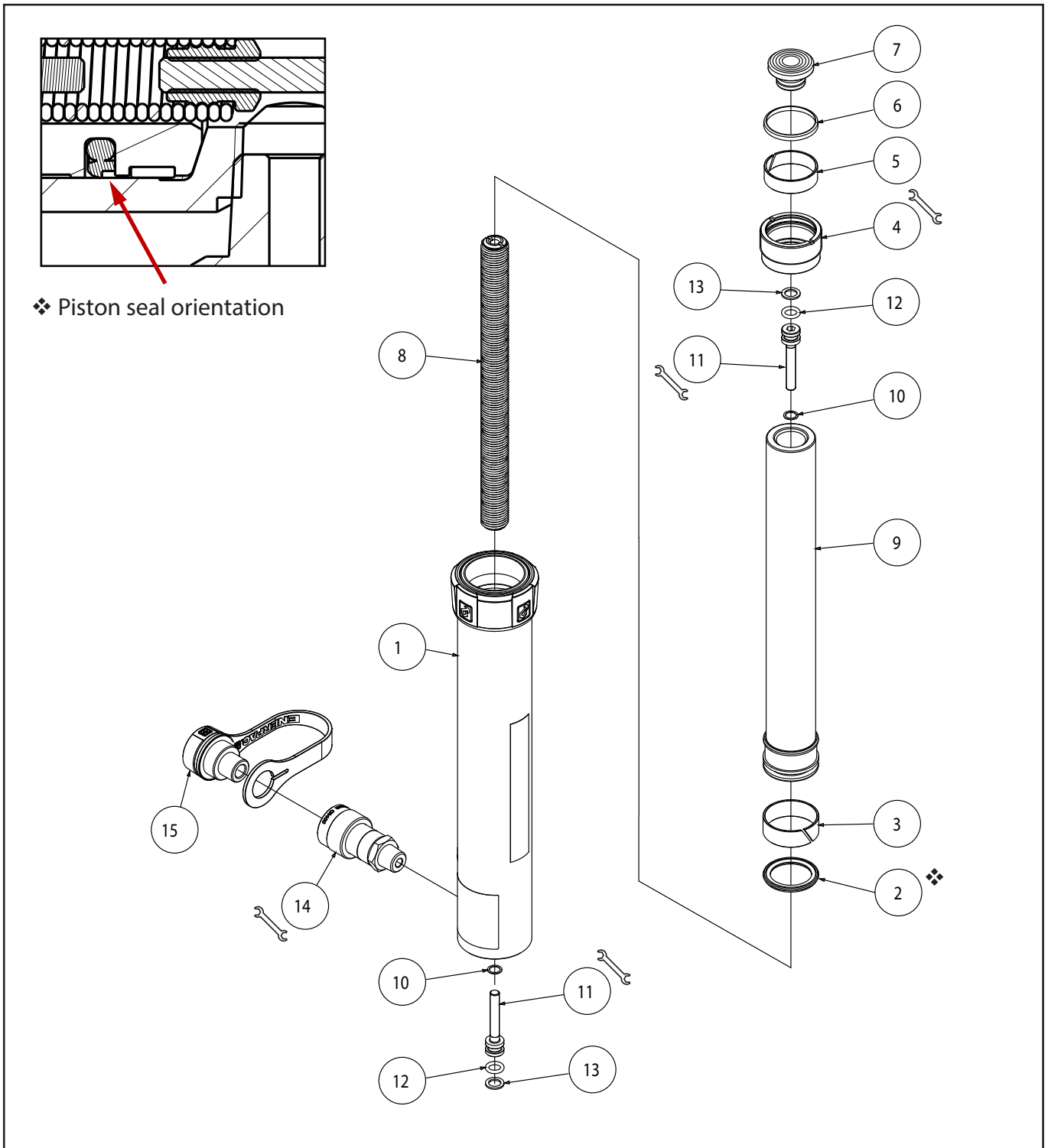


Figure 1, RC Hydraulic Cylinder, 10 Ton

### Repair Parts List, Figure 1

Item	Description	Qty	RC106	RC108	RC1010	RC1012	RC1014
1	Base	1	N/A	N/A	N/A	N/A	N/A
2	Piston Seal	1	▲ ●	▲ ●	▲ ●	▲ ●	▲ ●
3	Wear Band, Plunger	1	▲ ★	▲ ★	▲ ★	▲ ★	▲ ★
4	Stop Ring	1	RC106044	RC106044	RC106044	RC106044	RC106044
5	Wear Band, Stop Ring	1	▲ *	▲ *	▲ *	▲ *	▲ *
6	Wiper	1	▲ ✘	▲ ✘	▲ ✘	▲ ✘	▲ ✘
7	Saddle Assembly	1	A102G	A102G	A102G	A102G	A102G
8	Spring Assembly	1	RC10K33	RC10K34	RC10K35	RC10K36	RC10K37
9	Plunger	1	RC106040	RC108040	RC1010040	RC1012040	RC1014040
10	Copper Gasket	2	▲ ■	▲ ■	▲ ■	▲ ■	▲ ■
11	Screw, Socket Head	2	▲ ■	▲ ■	▲ ■	▲ ■	▲ ■
12	O-Ring	2	▲ ■	▲ ■	▲ ■	▲ ■	▲ ■
13	Backup, Split	2	▲ ■	▲ ■	▲ ■	▲ ■	▲ ■
14	Coupler	1	CR400	CR400	CR400	CR400	CR400
15	Dust Cap ▲	1	CD411	CD411	CD411	CD411	CD411
N/S	O-ring, coupler	1	▲	▲	▲	▲	▲
N/S	Enerpac Decal	1	▲	▲	▲	▲	▲
N/S	Warning Decal	1	▲	▲	▲	▲	▲
N/S	O-ring, saddle	1	▲	▲	▲	▲	▲
N/S	Thread Protector	1	▲	▲	▲	▲	▲

**Notes:**

- ▲ Indicated item included in and available as a part of the Repair Kit RC10NK1<sup>(1)</sup>
- Indicated item included in and available as a part of the Spring Assembly
- Indicated item included in and available as packs of 10 units in Seal Kit RC10NKS (see below)
- ★ Indicated item included in and available as packs of 10 units in Wear Band Kit Plunger RC10NKB2 (see below)
- \* Indicated item included in and available as packs of 10 units in Wear Band Kit Stop Ring RC10NKB3 (see below)
- ✘ Indicated item included in and available as packs of 10 units in Wiper Kit RC10NKW (see below)

●★\*✘ Kits only available in America

<sup>(1)</sup> Viton® seals are available in the RC10NK0V seal kit. Viton® equipped coupler CR400V can also be ordered separately for a complete conversion.



Item nr.	Torque/ remark
4	Secure with Loctite 222 and torque to 70-90 in-lbs [7.9-10.2 Nm]
11	Torque to 90-110 in-lbs [10.2-12.4 Nm]
14	Torque to 40-60 ft-lbs [54-81 Nm]
	Use Loctite 545 or Teflon Tape