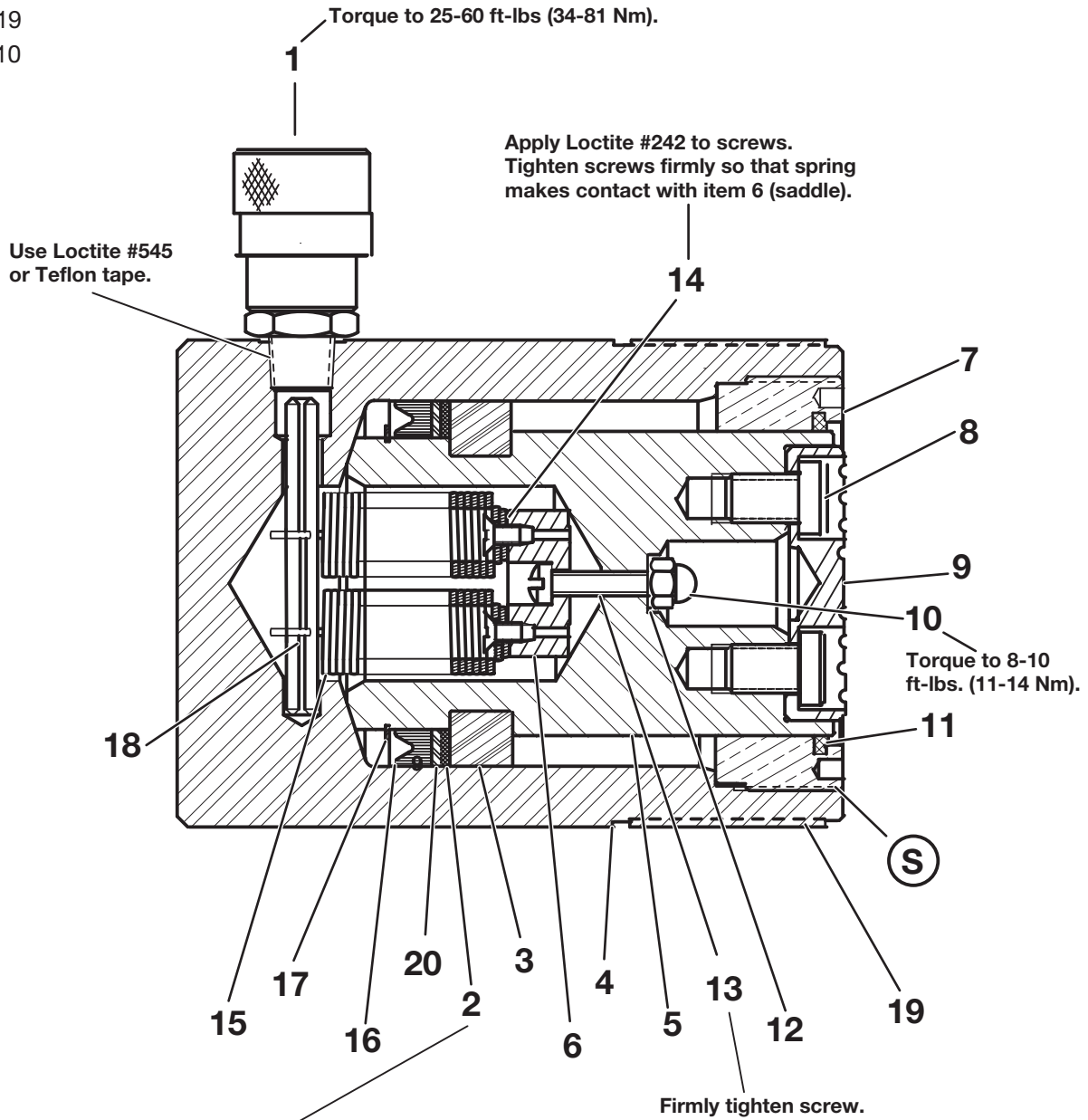


L-871  
 Rev. B  
 10/2019  
 PC4310

For date codes beginning with "B"



Item 2 (washer) must be orientated with radius or chamfered edge toward item 3 (bearing) and sharp edge toward item 16 (U-cup).

Ⓢ CAUTION! Indicates staked threads. Stake mark must be removed prior to disassembly. Failure to do so may result in damage to parts.

Some cylinder stop rings are assembled with Loctite on the threads. Enerpac suggests staking threads when reassembling.

**TO PROTECT YOUR WARRANTY, USE ONLY ENERPAC HYDRAULIC OIL.**

**RC-502 HYDRAULIC CYLINDER REPAIR PARTS LIST**

<b>Item No.</b>	<b>Part Number</b>	<b>Quantity</b>	<b>Description</b>
1	CR-400	1	Female Coupler
2	★	1	Washer
3	L341107	1	Bearing
4	(Not Available - order complete cylinder)		Cylinder Base
5	CB603040	1	Plunger
6	DA2285101	1	Spring Anchor
7	Y193044	1	Stop Ring
8	Standard Hardware	2	Cap Screw $1/2 - 13 \text{ UNC} \times 3/4"$
9	L345045SR	1	Saddle
10	Standard Hardware	1	Acorn Nut $1/4 - 28 \text{ UNF}$
11	★	1	Wiper
12	★	1	Gasket
13	F958028	1	Screw
14	DA2286028	2	Screw
15	L202110SR	2	Spring Assembly (includes items 8 & 14)
16	★	1	U Cup
17	★	1	Retaining Ring
18	★	1	Spring Pin $5/16 \times 3/4"$
19	CL401271	1	Thread Protector
20	★	1	Washer (Viton Clyinders only)
	DA5625026	1	Warning Decal
	G424026	1	Enerpac Decal

★ Indicates items included in and available only as part of Repair Kit RC506K (standard) or RC506KV (viton).



[www.enerpac.com](http://www.enerpac.com)