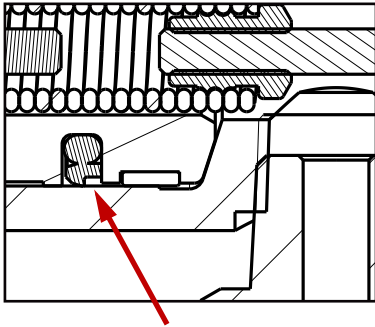


Document Number	Revision	Revision Date	Product Date Code Beginning With
L4290	Rev. C	01/2022	D



❖ Piston seal orientation

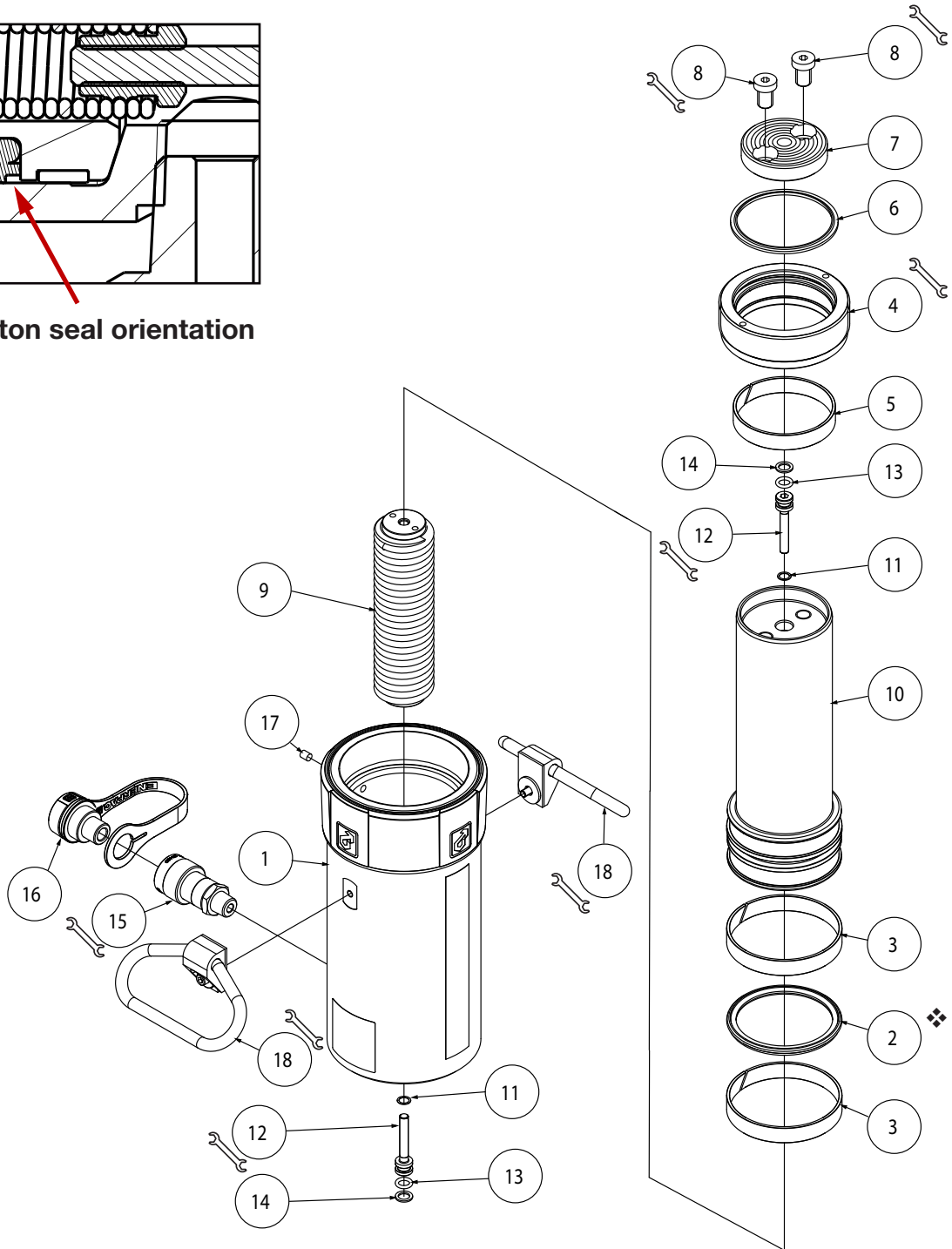


Figure 1, RC Hydraulic Cylinder, 50 Ton

Repair Parts List, Figure 1

Item	Description	Qty	RC502	RC504	RC506
1	Base	1	N/A	N/A	N/A
2	Piston Seal	1	▲ ●	▲ ●	▲ ●
3	Wear Band, Plunger	2	▲ ★	▲ ★	▲ ★
4	Stop Ring	1	RC50044	RC50044	RC50044
5	Wear Band, Stop Ring	1	▲ *	▲ *	▲ *
6	Wiper	1	▲ ✕	▲ ✕	▲ ✕
7	Saddle	1	HCL50045	HCL50045	HCL50045
8	Screw, Low Head Socket .50-13 x .75"	2	▲	▲	▲
9	Spring Assembly	1	RC50K31	RC50K32	RC50K33
10	Plunger	1	RC502040	RC504040	RC506040
11	Copper Gasket	2	▲ ■	▲ ■	▲ ■
12	Screw, Socket Head	2	▲ ■	▲ ■	▲ ■
13	O-Ring	2	▲ ■	▲ ■	▲ ■
14	Backup, Split	2	▲ ■	▲ ■	▲ ■
15	Coupler	1	CR400	CR400	CR400
16	Dust Cap ▲	1	CD411	CD411	CD411
17	Filter	1	▲	▲	▲
18	Pair of handles M6	1	CHM6	CHM6	CHM6
N/S	O-ring, coupler	1	▲	▲	▲
N/S	Enerpac Decal	1	▲	▲	▲
N/S	Warning Decal	1	▲	▲	▲
N/S	Thread Protector	1	▲	▲	▲

Notes:

- ▲ Indicated item included in and available as a part of the Repair Kit RC50NK0
- Indicated item included in and available as a part of the Spring Assembly
- Indicated item included in and available as packs of 10 units in Seal Kit RC50NKS (see below)
- ★ Indicated item included in and available as packs of 10 units in Wear Band Kit Plunger RC50NKB1 (see below)
- * Indicated item included in and available as packs of 10 units in Wear Band Kit Stop Ring RC50NKB2 (see below)
- ✕ Indicated item included in and available as packs of 10 units in Wiper Kit RC50NKW (see below)

●★*✕ Kits only available in America



Item nr.	Torque/ remark
4, 18	Secure with Loctite 222 and torque to 70-90 in-lbs [7.9-10.2 Nm]
8	Torque to 15-25 ft-lbs [20-34 Nm]
12	Torque to 90-110 in-lbs [10.2-12.4 Nm]
15	Torque to 40-60 ft-lbs [54-81 Nm]
	Use Loctite 545 or Teflon Tape