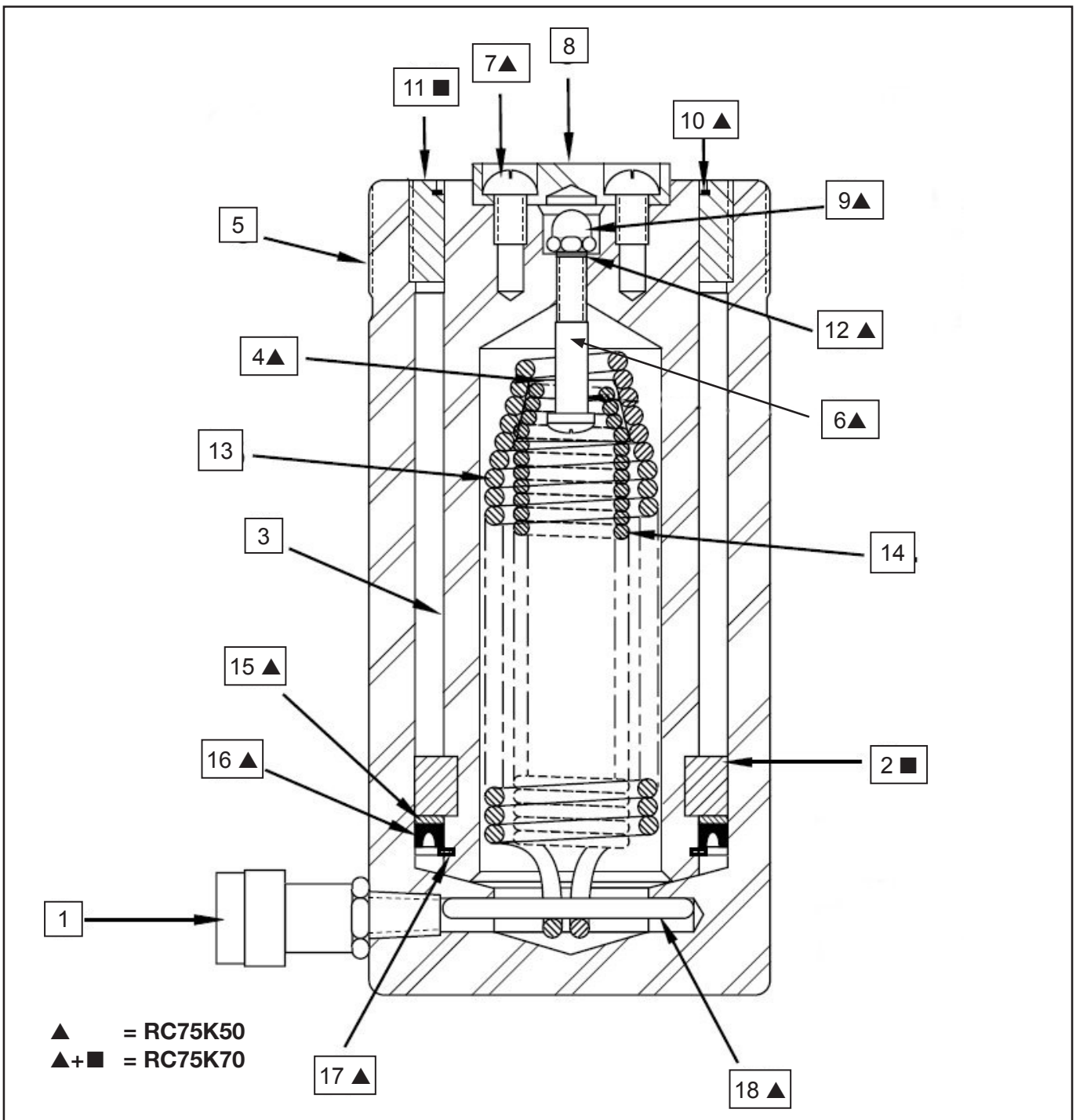


| Repair Parts Sheet | Revision | Revision Date | Product Code Beginning |
|---------------------|----------|---------------|------------------------|
| Reference nr. L2807 | Rev.A | 02/2009 | RC756: O RC7513: A |



Repair Parts List

L 2807

| Item nr. | Qty | Description | RC756 | RC7513 |
|----------|-----|------------------------------|---------------------------------------|-----------|
| 1 | 1 | Coupler | CR400 | CR400 |
| 2 | 1 | Rod Bearing | ■ | |
| 2 | 2 | Rod Bearing | | ■ |
| 3 | 1 | Plunger | Y834040 | CH934040 |
| 4 | 1 | Bushing | ▲ | ▲ |
| 5 | 1 | Cylinder base | Not serviceable, order a new cylinder | |
| 6 | 1 | Adjusting Screw | ▲ | ▲ |
| 7 | 2 | Screw | ▲ | ▲ |
| 8 | 1 | Saddle (includes 2x item 7) | L345045SR | L345045SR |
| 9 | 1 | Nut | ▲ | ▲ |
| 10 | 1 | Wiper Ring | ▲ | ▲ |
| 11 | 1 | Stop ring | ■ | ■ |
| 12 | 1 | Gasket | ▲ | ▲ |
| 13 | 1 | External Spring | CN58110 | |
| 13 | 1 | Spring | | CJ247110 |
| 14 | 1 | Internal Spring | CN59110 | |
| 15 | 1 | Washer | ▲ | ▲ |
| 16 | 1 | U cup | ▲ | ▲ |
| 17 | 1 | Retaining Ring | ▲ | ▲ |
| 18 | 1 | Roll Pin | ▲ | ▲ |
| 19 | 2 | Eyebolt (not shown) | | BSS6350D |
| 20 | 1 | Coupler O Ring (not shown) | ▲ | ▲ |
| 21 | 1 | Dust Cap (not shown) | ▲ | ▲ |
| 22 | 1 | Caution Decal (not shown) | ▲ | ▲ |
| 23 | 1 | Enerpac decal (not shown) | ▲ | ▲ |

▲ = Included in and available only as part of Repair Kit RC75K50.

■ = Included in and available only as part of Repair Kit RC75K70. Bearing kit RC75K70 includes 1x RC75K50.

Viton Repair Kit RC756KV = Item 10 & 16.



| Item nr. | Torque / Remarks |
|----------|--|
| 1 | 34 - 81 Nm 25 - 60 ft lbs |
| 1 | Use Teflon tape or Loctite 545 |
| 6 | Firmly tighten screw to assure contact with plunger. |
| 9 | 20 - 24 Nm 15 - 18 ft lbs |
| 11 | Secure with Loctite 222 |
| 15 | Washer to be placed with sharp edge towards U Cup |



To maintain your warranty,
have your products inspected and repaired
by an authorised Enerpac Service Centre

www.enerpac.com