

L537
Rev. B
03-97
PC4250

For date codes beginning with "B".

⚠ WARNING

STOP RINGS ON RCH MODELS ARE SPRING LOADED!

IF NOT CONTAINED DURING DISASSEMBLY, SPRING AND STOP RING COULD CAUSE PERSONAL INJURY.

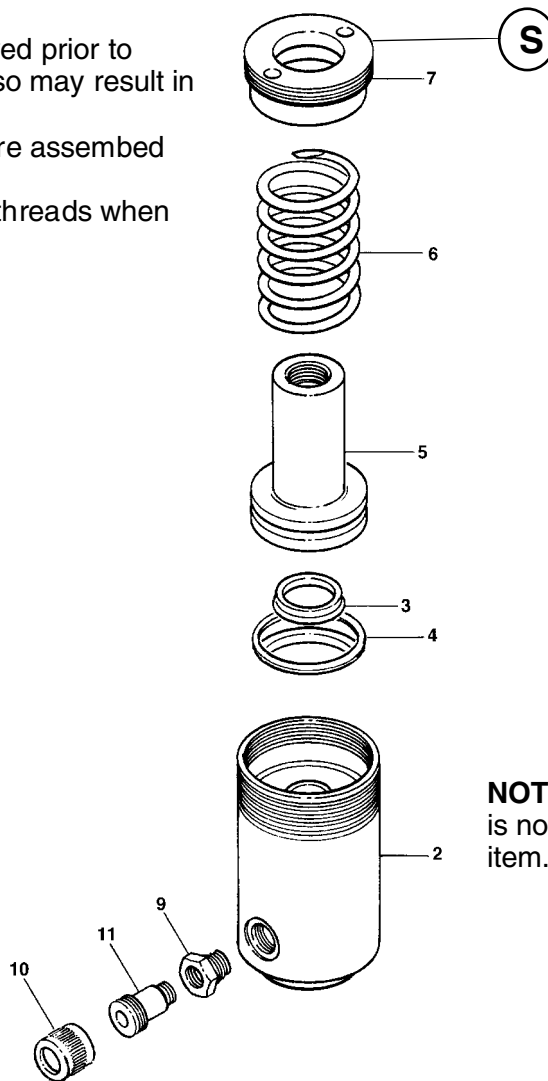
(S) CAUTION

Indicates staked threads.

Stake mark must be removed prior to disassembly. Failure to do so may result in damage to parts.

Some cylinder stop rings are assembled with Loctite on threads.

Enerpac suggests staking threads when reassembling.



NOTE: Cylinder Base, item 2, is not available as a service item. Order complete cylinder.

REPAIR PARTS LIST

Item Number	Model RCH-121	Model RWH-121	Quantity	Description
2	<i>Not a service item. Order complete cylinder.</i>			Base
3	★	★	1	"U" Cup
4	★	★	1	"U" Cup
5	Y812040	CH971040	1	Plunger
6	Y397110	Y397110	1	Spring
7	B47035	B47035	1	Stop Ring
8	DC1243271	DC1243271	1	Thread Protector (not shown)
9	FZ1630	----	1	Bushing
10	AR630	----	1	Half Coupler
	Z640	----	1	Dust Cap (not shown)
<p>★Indicates items included in, and available only as part of Repair Kit RCH121K1. For viton seals, order RCH-121KV in place of the standard Repair Kit RCH121K1. Viton kit will not work in "O" version cylinders.</p>				

Australia
ENERPAC
Applied Power Australia, Ltd.
P.O. Box 261 Regents Park
Sydney, N.S.W. 2143
Tel: (61) (2) 9743 8988
Fax: (61) (2) 9743 8648

CIS
Applied Power Moscow
Leninsky Prospekt 95A
117313 Moscow, Russia
Tel: (7)(95) 936 5090
Fax: (7)(95) 936 2006

**France, Switzerland,
Turkey, Greece, Africa,
Middle East**
ENERPAC S.A.
Parc d'Activité du Moulin
de Massy
1 rue du Saule trapu, BP200
F-91882 Massy CEDEX
(Paris) France
Tel: (33) 1 60 13 68 68
Fax: (33) 1 69 20 37 50

**Germany, Scandinavia,
Eastern Europe, Austria,
Switzerland**
ENERPAC
Applied Power GmbH
P.O. Box 30 01 13
Mündelheimer Weg 51
40401 Düsseldorf 30
Germany
Tel: (49) (211) 47 14 90
Fax: (49) (211) 4714 928/940

**Holland, Belgium,
and Luxemburg**
ENERPAC B.V.
P.O. Box 269, Storkstraat 25
3900AG Veenendaal
Holland
Tel: (31) (318) 535911
Fax: (31) (318) 525613/526645

Hong Kong
ENERPAC
Room No. 907, Workingberg
Commercial Building
41-47 Marble Road, North Point
Tel: (852) 561-6295
Fax: (852) 561-6772

India
ENERPAC
Hydraulics (India) Pvt Ltd.
203 Vardhaman Chamber
Plot #84, Sector 17
Vashi, New Bombay 400 705
India
Tel: 91-22-7631062
Fax: 91-22-7670309

Italy
ENERPAC
Applied Power Italiana S.p.A.
Via Canova, 4
20094 Corsico (Milano)
Italy
Tel: 39 2 45 82 741/2/3
Fax: 39 2 48 60 12 88

Japan
Applied Power Japan LTD
10-17 Sasame Kita-cho
Toda-City
Saitama 335,
Japan
Tel: 81 048 422 2251
Telex: J26275
Fax: 81 048 422 0596

Mexico
ENERPAC
Applied Power Mexico S.A. de C.V.
Av. Principal La Paz #100
Fracc. Industrial La Paz
28100 Alcobendas (Madrid), Mexico
Tel: (52) 771 33700
Fax: (52) 771 83800

Singapore
Applied Power Asia Pte Ltd.
47 Jalan Pemimpin #01-02
01-03 Sin Cheong Building
Singapore 2057
Thomson Road P.O. Box 114
Singapore 9157
Tel: (65) 258 1677
Fax: (65) 258 2847

South Korea
ENERPAC
Applied Power Korea Ltd.
163-12, Dodang-Dong
Wonmi-gu, Buchun-Shi,
Kyunggi-Do
Korea
Tel: (82) (32) 675 0836
Fax: (82) (32) 675 3002

Spain, Portugal
ENERPAC
Applied Power International, S.A.
Calle de la Imprenta, 7
Polígono Industrial
28100 Alcobendas (Madrid)
Spain
Tel: (34) 1 661 11 25
Fax: (34) 1 661 47 89

United Kingdom, Ireland
ENERPAC Ltd. Unit 3
Colemeadow Road
North Moons Moat
Redditch, Worcester B98 9BP
England
Tel: 44 01527 598 900
Fax: 44 01527 585 500

**United States, Canada,
Latin America and
Caribbean**
ENERPAC
13000 West Silver Spring Drive
Butler, Wisconsin 53007, USA
Tel: (414) 781-6600
1-800-433-2766 (End User)
1-800-558-0530 (Distributor)
Fax: (414) 781-1049

Canada
Tel: 1-800-426-4129 (End User)
Tel: 1-800-426-2284 (Distributor)

Latin America and Caribbean
Tel: (414) 781-6600 ext. 263
Fax: (414) 781-5561



All Enerpac products are guaranteed against defects in workmanship and materials for as long as you own them. Under this guarantee, free repair or replacement will be made to your satisfaction.

For prompt service, contact your Authorized Enerpac Service Center or call toll free:

**In U.S.A. 1-800-558-0530
In Canada 1-800-426-2284**