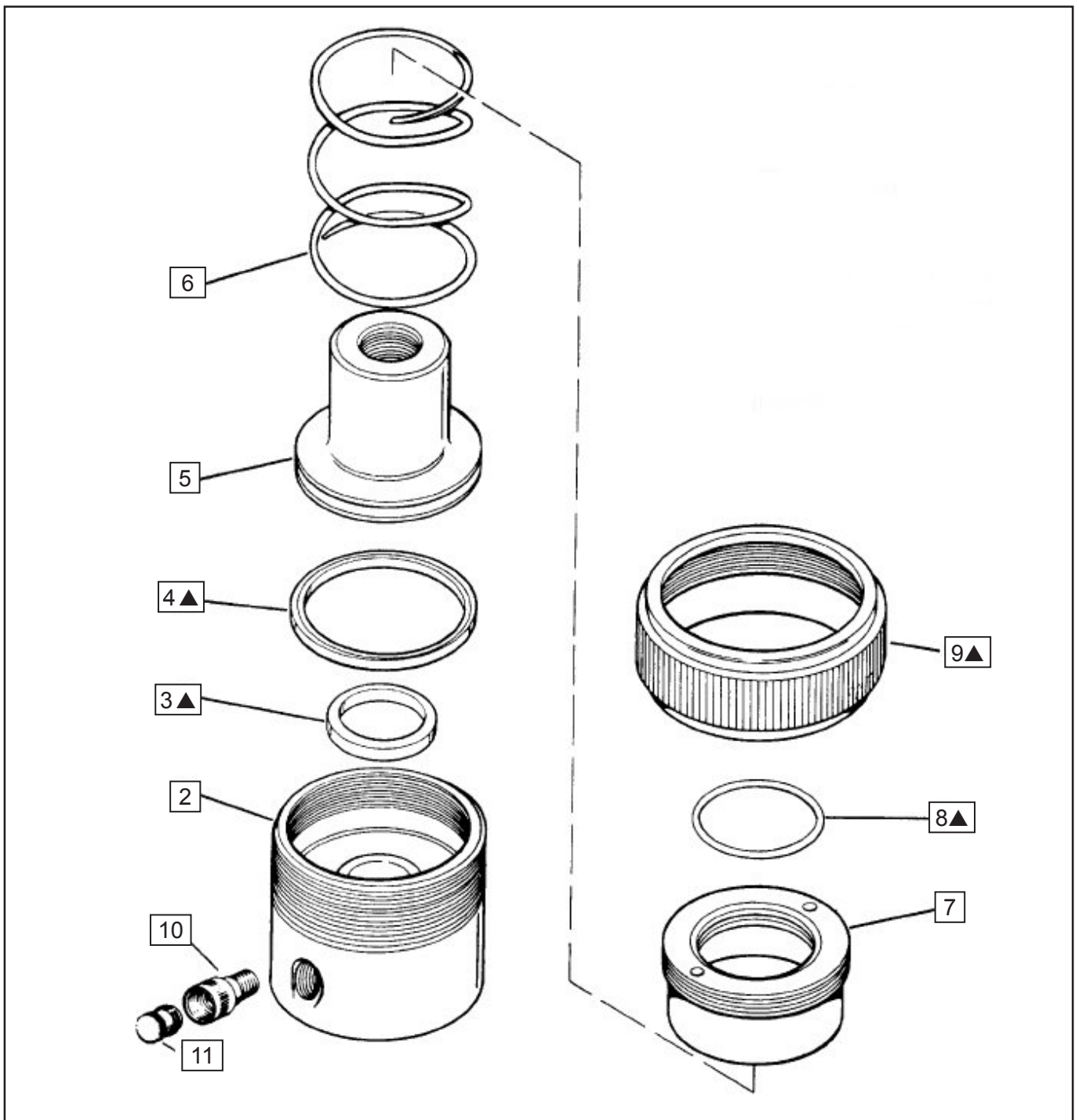


Repair Parts Sheet	Revision	Revision Date	Product Code Beginning
Reference nr. L2812	Rev.A	02/2009	B: RCH 120/121/1211 O: RCH 123



# Repair Parts List

**L 2812**

Item	Description	Qty	RCH120	RCH121	RCH1211	RCH123
2	Base	1	Not a service item, order new cylinder.			
3	U Cup	1	▲	▲	▲	▲
4	U Cup	1	▲	▲	▲	▲
5	Plunger	1	Not a service item, order new cylinder.			
6	Spring	1	M315110	Y397110	Y397110	CB763110
7	Stop Ring	1	M243044	B47035	B47035	CB790044
8	O Ring	1	▲			▲
9	Thread Protector	1	▲	▲	▲	▲
10	Coupler	1	AR630	AR630	AR630	CR400
11	Dust Cap	1	Z640	Z640	Z640	CD411
12	Plunger Guide (not shown)	1				CM77013
13	Retaining Ring (not shown)	1				▲
14	Back Up Ring (not shown)	1				▲
15	O Ring (not shown)	1				▲
16	Reducer (not shown)	1		FZ1630	FZ1630	
17	Decal warning (not shown)	2	▲	▲	▲	▲
18	Decal Enerpac (not shown)	2	▲	▲	▲	▲
19	Decal Hollow (not shown)	1	▲	▲	▲	▲
	Repair Kit	1	RCH12K50	RCH12K50	RCH12K50	RCH12K50

▲ = Indicated items included in and available only as part of RCH12K50



Item nr.	Model	Torque / Notes
7	all	Loctite 222
10	all	Loctite 545 or Teflon tape
10	all	55 - 81 Nm 40 - 60 Ft lbs



To maintain your warranty,  
have your products inspected and repaired  
by an authorised Enerpac Service Centre

[www.enerpac.com](http://www.enerpac.com)