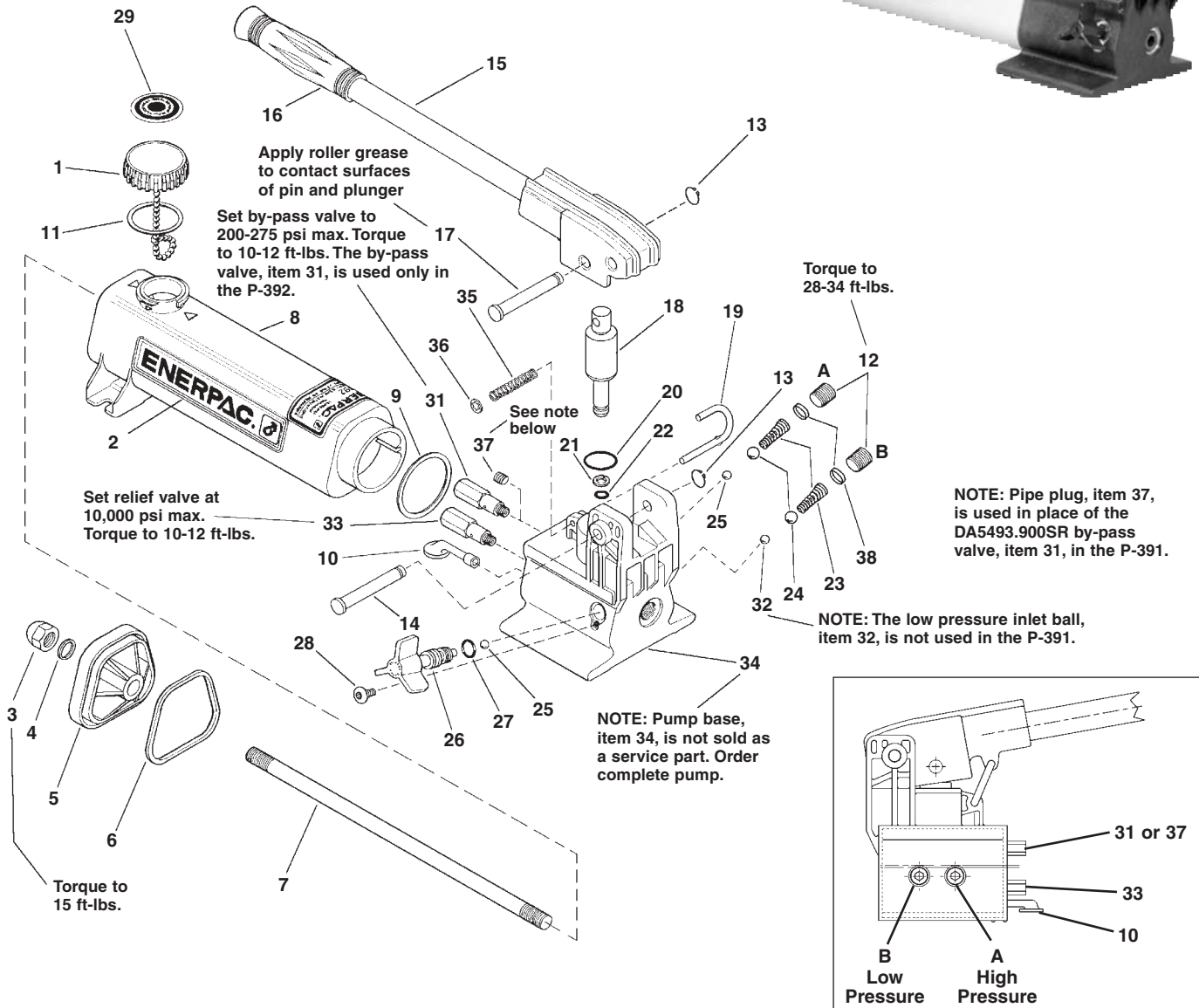


To Protect Your Warranty, Use Only ENERPAC Hydraulic Oil.

Enerpac recommends that all kit components be installed to insure optimum performance of the repaired product.

WARNING:

To ensure that the internal relief valve setting is correct, check the model number when servicing the product. The setting may require adjustment based on the pressure setting designated by the dash code (-XXXX) of the model number.



Repair Parts List for Figure 1

Item	Part No.	Qty.	Description	Item	Part No.	Qty.	Description
1	CN766950SR	1	Vent Cap Assembly (incl. item 11,29)	19	CM927061SR	1	Locking Pin (incl. item 35,36)
2	★	1	Enerpac Decal	20	★	1	O-Ring
3	CL341055	1	Acorn Nut	21	★	1	Back-Up Ring
4	★	1	Gasket	22	★	1	O-Ring
5	CN814020SR	1	End Cap (incl. item 3,4,6)	23	★	2	Spring
6	★	1	Gasket O-Ring	24	★	2	5/16" Ball
7	CL127149	1	Tie Rod	25	★	2	7/32" Ball
8	CR72025SR	1	Reservoir (yellow incl. item 2,3,4,6,9,11)	26	CL913900SR	1	Spindle Assembly (incl. item 25,27,28)
	S95032025	1	Reservoir (red incl. item 2,3,4,6,9,11)	27	★	1	O-Ring
9	★	1	Gasket	28	★	1	Screw
10	DA3729900SR	1	Oil Filter	29	★	1	Vent Cap Decal
11	★	1	Gasket	31	DA5493900SR	1	Bypass Valve (P392 Only)
12	CN815006	2	Pipe Plug	32	★	1	7/32" Inlet Check Ball (P392 Only)
13	★	2	Retaining Ring	33	DA8802900SR	1	Relief Valve
14	★CR214061SR	1	Beam Pin (incl. item 13)	34	Order complete pump	1	Base (not available as service item)
15	CL918900SR	1	Beam and Handle Assembly	35	★	1	Spring
16	CL343550	1	Handle Grip	36	★	1	Retaining Ring
17	DC106061SR1	1	Cross Pin	37	A1006245	1	Pipe Plug (P391 Only)
18	CR333040SR	1	Plunger Assembly (incl. item 13,17,21,22)	38	★	2	Spring Cap

★ Indicates items included in, and available only as part of Repair Kit P391K2

NOTE: Bypass Valve, Item 31, and Inlet Check Ball, Item 32, are not used in the single-speed P391 model Pump.
Use Item 37 in place of Item 31.

Enerpac Worldwide Locations

✦ e-mail: info@enerpac.com

✦ internet: www.enerpac.com

Australia

ENERPAC, Applied Power Australia Ltd.
Block V Unit 3
Regents Park Estate
391 Park Road
Regents Park NSW 2143
(P.O. Box 261) Australia
Tel: +61 297 438 988
Fax: +61 297 438 648

Germany, Switzerland, Austria, Eastern Europe

ENERPAC
Applied Power GmbH
P.O. Box 300113
D-40401 Düsseldorf
Germany
Tel: +49 211 471 490
Fax: +49 211 471 49 28

Japan

Applied Power Japan Ltd.
1-1-11, Shimomae
Toda-shi
Saitama Pref.
Japan 335-0016
Tel: +81-48-430-1055
Fax: +81-48-430-1066

South Korea

ENERPAC
Applied Power Korea Ltd.
163-12 Dodang-Dong
Choong-Ku, Buchun-shi
Kyunggi-Do
Republic of Korea
Tel: +82 32 675 08 36
Fax: +82 32 675 30 02

Canada

Applied Power Canada Ltd.
6615 Ordan Drive, Unit 14-15
Mississauga, Ontario L5T 1X2
Tel: +1 905 564 5749
Fax: +1 905 564 0305

Hong Kong

ENERPAC
Room 907 Workingberg
Commercial Building
41-47 Marble Road
North Point
Tel: +852-2561 6295
Fax: +852-2561 6772

Mexico

ENERPAC Applied Power
Mexico S.A. de C.V.
Avenida Principal
La Paz #100
Fracc. Industrial La Paz
42084 Pachuca, Hidalgo
Tel: +52 771 337 00
Fax: +52 771 838 00

Spain, Portugal

ENERPAC
Applied Power International S.A.
Avda. Camino de lo Cortado 21
San Sebastian de los Reyes
28709 Madrid
Spain
Tel: +34 91 661 11 25
Fax: +34 91 661 47 89

Toll Free:

Tel: +1 800 268 4987
Fax: +1 800 461 2456

The Netherlands, Belgium, Luxembourg, Sweden, Denmark, Norway, Finland

ENERPAC B.V.
Storkstraat 25 /
P.O. Box 269, 3900 AG Veenendaal
The Netherlands
Tel: +31 318 535 911
Fax: +31 318 525 613
+31 318 535 848

United Kingdom, Ireland

ENERPAC Limited
Unit 3, Colemeadow Road
North Moons Moat
Redditch
Worcester B98 9BP
United Kingdom
Tel: +44 01527 598 900
Fax: +44 01527 585 500

China

Shanghai Blackhawk
Machinery Co Ltd
15H Jinxuang Building
238 Nandan Road (E)
Shanghai, 200030
China
Tel: +86 21 5866 9099
Fax: +86 21 5866 7156

India

ENERPAC
Hydraulics Technology
(India) Pvt Ltd
Plot No. A-571
MIDC, TTC Industrial Area
Mahape-400 701
Navi Mumbai, India
Tel: +91 22 769 47 78
Fax: +91 22 769 84 73

Singapore

Applied Power Asia Pte Ltd
No. 8, Ang Mo Kio,
Industrial Park 2
#01-00
Singapore 569500
Thomson Road
P.O. Box 114
Singapore 915704
Tel: +65 484 5108
Fax: +65 484 5669

USA, Latin America and Caribbean

ENERPAC
P.O. Box 3241
6101 N. Baker Road
Milwaukee, WI 53209 USA
Tel: +1 262 781 6600
Fax: +1 262 781 1049

France, Turkey, Greece, Africa, Middle East

ENERPAC S.A.
B.P. 200
Parc d'Activités
du Moulin de Massy
F-91882 Massy CEDEX (Paris) France
Tel: +33 1 601 368 68
Fax: +33 1 692 037 50

Italy

ENERPAC
Applied Power Italiana S.p.A.
Via Canova 4
20094 Corsico (Milano)
Tel: +39 2 486 111 00
Fax: +39 2 486 012 88

User inquiries:

+1 800 433 2766

Distributor inquiries/orders:

+1 800 558 0530

All Enerpac products are guaranteed against defects in workmanship and materials for as long as you own them.

For your nearest authorized Enerpac Service Center, visit us at www.enerpac.com