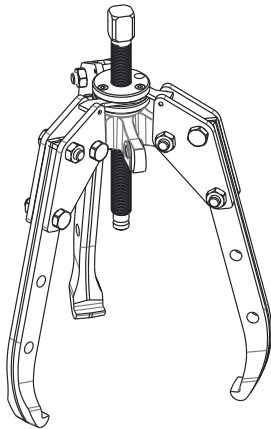


Document Number	Document Revision	Document Revision Date	Product Date Code Beginning With
L4183	A	07/2017	A

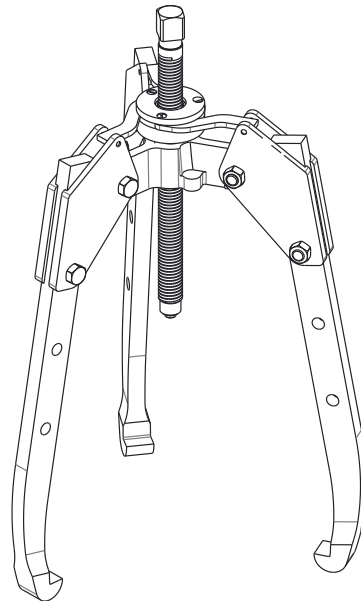
**NOTICE:**

To ensure optimum performance of the repaired product, Enerpac recommends the installation of ALL parts included in a service assembly or repair kit.

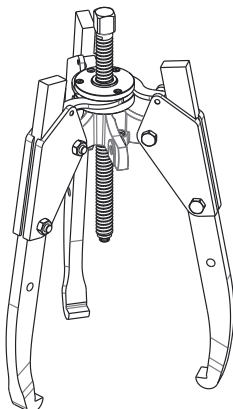
• SGM01 • SGM04 • SGM07



• SGM20

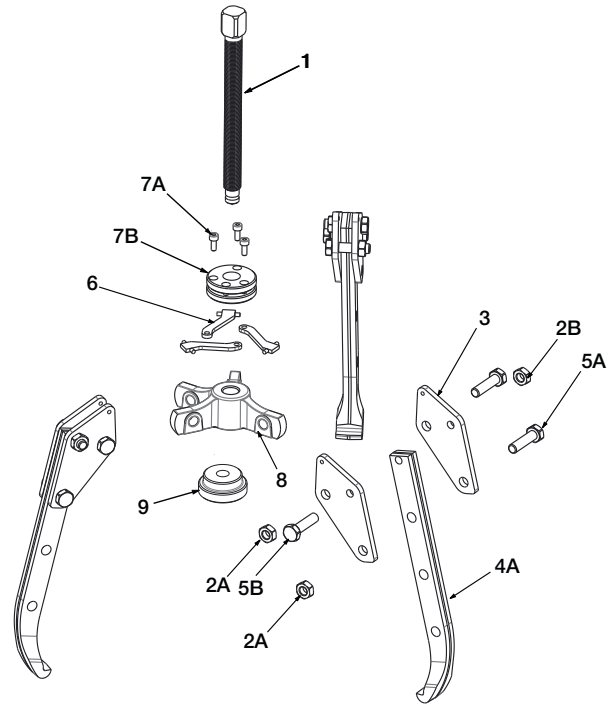


• SGM10

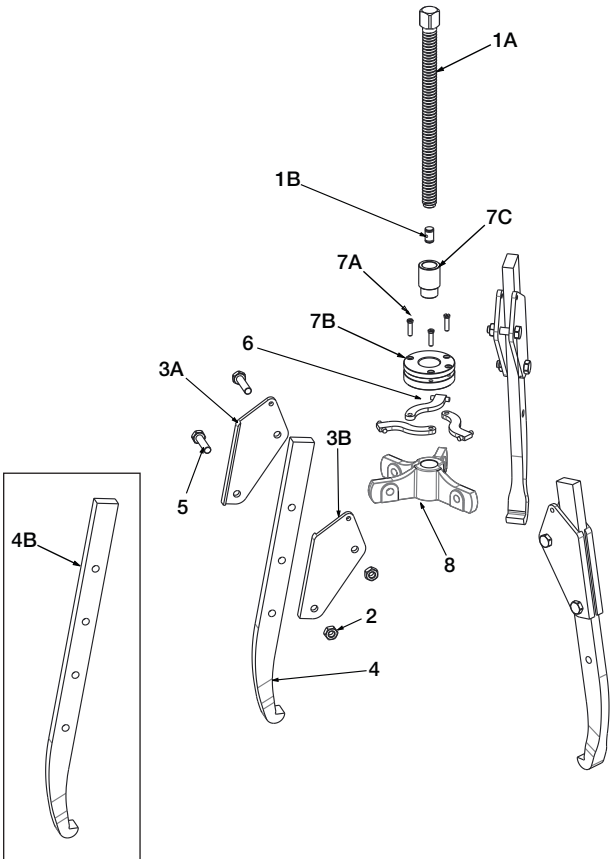


**⚠ WARNING** Be certain that load has been removed from tool before beginning any adjustment, maintenance or repair procedures. Appropriate shop safety procedures are to be followed during disassembly and reassembly to minimize any possibility of injury.

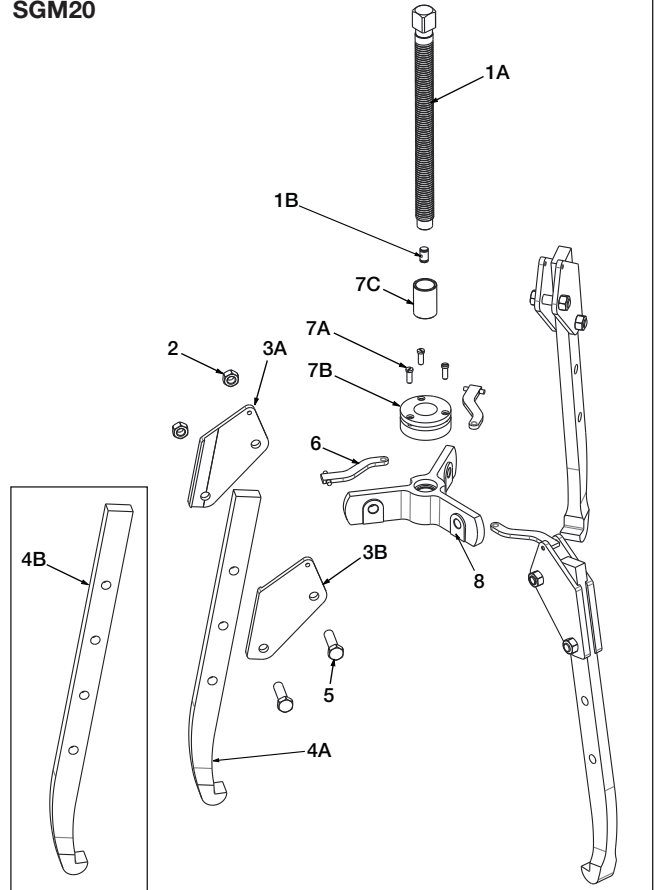
**Figure 1 - Sync Grip Puller  
SGM01, SGM04 and SGM07**



**Figure 2 - Sync Grip Puller  
SGM10**



**Figure 3 - Sync Grip Puller  
SGM20**



Repair Parts List for Figure 1					
Item	Puller Model/Part Number			Qty.	Description
	SGM01	SGM04	SGM07		
1	SGM0101	SGM0401	SGM0701	1	Adjusting Rod (spindle)
2A	★	◆	⊕	6	Hex Nut
2B	★	◆	⊕	3	Hex Nut
3	⊕	⊗	⊖	6	Plate
4A	SGM0108	SGM0408	SGM0708	1	Jaw, Standard Length (1 jaw)
	SGM0103K	SGM0403K	SGM0703K	3	Jaw, Standard Length (accessory kit - includes 3 jaws)
5A	★	◆	⊕	6	Capscrew
5B	★	◆	⊕	3	Capscrew
6	⊕	⊗	⊖	3	Strap
7A	★	◆	⊕	3	Screw, Self-Centering
7B	⊗	⊗	⊗	1	Assembly, Self-Centering Ring
8	⊗	⊗	⊗	1	Body
9	SGM0104	SGM0404	SGM0704	1	Point Protector

**Notes:**

★ Included in Hardware Kit SGM0106K.      ⊕ Included in Strap Kit SGM0107K.      ⊗ Item not available as replacement part.  
◆ Included in Hardware Kit SGM0406K.      ⊗ Included in Strap Kit SGM0407K.  
⊕ Included in Hardware Kit SGM0706K.      ⊖ Included in Strap Kit SGM0407K.

Repair Parts List for Figures 2 and 3					
Item	Puller Model/Part Number		Qty.	Description	
	SGM10	SGM20			
1A	SGM1001	SGH3001	1	Adjusting Rod (spindle)	
1B	⊕ SGM1005	⊕ SGM3005	1	Tip, Adjusting Rod, Spring-Loaded	
2	⊗	⊖	6	Hex Nut	
3A	⊗	⊕	3	Plate (left-hand)	
3B	⊗	⊕	3	Plate (right-hand)	
4A	SG1008	SG3008	1	Jaw, Standard Length (1 jaw)	
	SG1003K	SG3003K	3	Jaw, Standard Length (accessory kit - includes 3 jaws)	
4B	SG1009	SG3009	1	Jaw, Extended Reach (1 jaw)	
	SG1002K	SG3002K	3	Jaw, Extended Reach (accessory kit - includes 3 jaws)	
5	⊗	⊖	6	Capscrew	
6	⊗	⊕	3	Strap	
7A	⊗	⊖	3	Screw, Self-Centering	
7B	⊗	⊗	1	Assembly, Self-Centering Ring	
7C	⊗	⊗	1	Centering Bushing	
8	⊗	⊗	1	Body	

**Notes:**

⊗ Included in Hardware Kit SG1006K.      ⊕ Included in Strap Kit SG1007K.      ⊕ Included with item 1A.  
⊖ Included in Hardware Kit SG3006K.      ⊕ Included in Strap Kit SG3007K.      ⊗ Item not available as replacement part.

