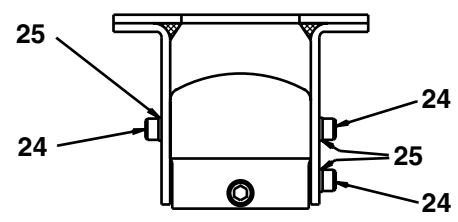
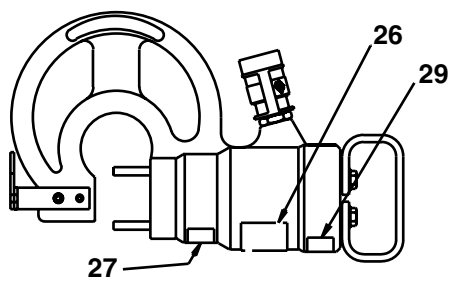
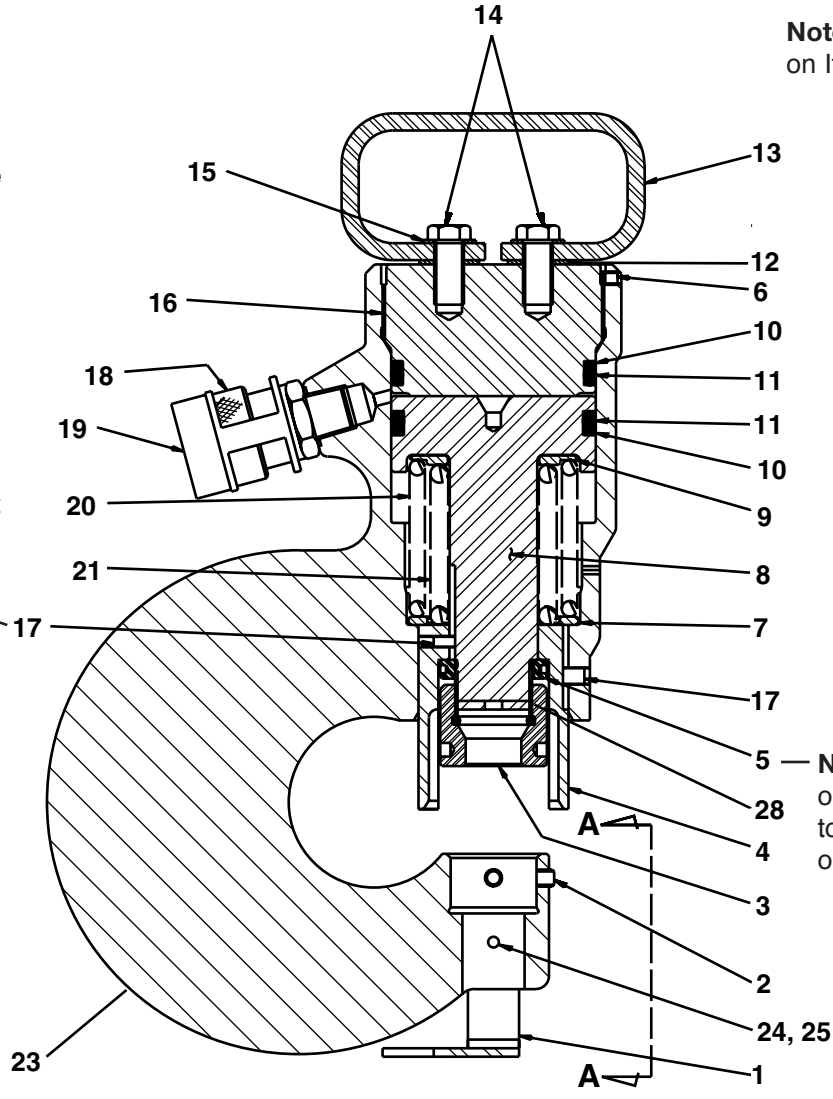


Note: Use Loctite 242 on Items 6, 14, and 17.

Note: Lubricate bore with grease prior to assembly to prevent seals from sticking.

Note: Seat Item 17 lightly and then back off slightly to prevent binding (2 places on punch.)

Note: Use Loctite 271 on threads of Item 5 to prevent backing out during use.



VIEW "A-A"

TO PROTECT YOUR WARRANTY, USE ONLY ENERPAC HYDRAULIC OIL.

Repair Parts List for SP-35

Item	Part Number	Qty.	Description	Item	Part Number	Qty.	Description
1	DA3147900	1	Bracket Weldment	15	B1003066	2	Lock Washer
2	★ BC3104027F	1	Set Screw	16	DA3136020	1	End Cap
3	DA3141234	1	Coupling Nut	17	★ DA3836027	2	Set Screw
4	DA3140689	1	Guard	18	CR400	1	Coupler
5	DA3142749	1	Lock Ring	19	CD411	1	Dust Cap
6	★ BF1904027B	1	Set Screw	20	DA3145110	1	Comp. Spring
7	DA3139108	1	Washer	21	DA3146110	1	Comp. Spring
8	DA3137040	1	Plunger	23	(not sold as service part)	1	Base
9	DA3138108	1	Washer	24	B1341028	3	Socket Head Screw
10	★ B1334565	1	Back-up Washer	25	B1030066	3	Lock Washer
11	★ B1037503	2	O-ring	26	★ DA3601026	1	Name Plate Decal
12	B1027108	2	Washer	27	★ CU765026	2	Warning Decal
13	DA3135070	1	Handle	28	B1212903	1	O-ring
14	B1073046	2	Hex Head Cap Screw				

★ Indicates items included in Repair Kit SP-35K.

Enerpac Worldwide Locations

✦ e-mail: info@enerpac.com

✦ internet: www.enerpac.com

Australia and New Zealand

Actuant Australia Ltd.
Block V Unit 3
Regents Park Estate
391 Park Road
Regents Park NSW 2143
(P.O. Box 261) Australia
T +61 (0)2 9743 8988
F +61 (0)2 9743 8648
sales-au@enerpac.com

Brazil

Power Packer do Brasil Ltda.
Rua Luiz Lawrie Reid, 548
09930-760 - Diadema (SP) - Brazil
T +55 11 5687 2211
Toll Free: 0800 891 5770
vendasbrasil@enerpac.com

China (Taicang)

Actuant (China) Industries Co. Ltd.
No. 6 Nanjing East Road,
Taicang Economic Dep Zone
Jiangsu, China
T +86 0512 5328 7500
F +86 0512 5335 9690
Toll Free: +86 400 885 0369
sales-cn@enerpac.com

France, Switzerland, North Africa and French speaking African countries

ENERPAC
Une division d'ACTUANT France S.A.S.
ZA de Courtaboeuf
32, avenue de la Baltique
91140 VILLEBON /YVETTE
France
T +33 1 60 13 68 68
F +33 1 69 20 37 50
sales-fr@enerpac.com

Germany and Austria

ENERPAC GmbH
P.O. Box 300113
D-40401 Düsseldorf
Willstätterstrasse 13
D-40549 Düsseldorf, Germany
T +49 211 471 490
F +49 211 471 49 28
sales-de@enerpac.com

India

ENERPAC Hydraulics (India) Pvt. Ltd.
No. 10, Bellary Road, Sadashivanagar,
Bangalore, Karnataka 560 080
India
T +91 80 3928 9000
info@enerpac.co.in
www.enerpac.com

Italy

ENERPAC S.p.A.
Via Canova 4
20094 Corsico (Milano)
T +39 02 4861 111
F +39 02 4860 1288
sales-it@enerpac.com

Japan

Applied Power Japan LTD KK
Besshocho 85-7
Kita-ku, Saitama-shi 331-0821, Japan
T +81 48 662 4911
F +81 48 662 4955
sales-jp@enerpac.com

Middle East, Egypt and Libya

ENERPAC Middle East FZE
Office 423, LOB 15
P.O. Box 18004, Jebel Ali, Dubai
United Arab Emirates
T +971 (0)4 8872686
F +971 (0)4 8872687
sales-ua@enerpac.com

Russia

Rep. office Enerpac
Russian Federation
Admiral Makarova Street 8
125212 Moscow, Russia
T +7 495 98090 91
F +7 495 98090 92
sales-ru@enerpac.com

Southeast Asia, Hong Kong and Taiwan

Actuant Asia Pte Ltd.
83 Joo Koon Circle
Singapore 629109
T +65 68 63 0611
F +65 64 84 5669
Toll Free: +1800 363 7722
sales-sg@enerpac.com

South Korea

Actuant Korea Ltd.
3Ba 717, Shihwa Industrial Complex
Jungwang-Dong, Shihung-Shi,
Kyunggi-Do
Republic of Korea 429-450
T +82 31 434 4506
F +82 31 434 4507
sales-kr@enerpac.com

Spain and Portugal

ENERPAC SPAIN, S.L.
Avda. Los Frailes, 40 - Nave C & D
Pol. Ind. Los Frailes
28814 Daganzo de Arriba
(Madrid) Spain
T +34 91 884 86 06
F +34 91 884 86 11
sales-es@enerpac.com

Sweden, Denmark, Norway,

Finland and Iceland
Enerpac Scandinavia AB
Kopparlundsvägen 14,
721 30 Västerås
Sweden
T +46 (0) 771 41 50 00
scandinavianinquiries@enerpac.com

The Netherlands, Belgium, Luxembourg, Central and Eastern Europe, Baltic States, Greece, Turkey and CIS countries

ENERPAC B.V.
Galvanistraat 115, 6716 AE Ede
P.O. Box 8097, 6710 AB Ede
The Netherlands
T +31 318 535 911
F +31 318 535 848
sales-nl@enerpac.com

Enerpac Integrated Solutions B.V.

Opaalstraat 44, 7554 TS Hengelo
P.O. Box 421, 7550 AK Hengelo
The Netherlands
T +31 74 242 20 45
F +31 74 243 03 38
integratedsolutions@enerpac.com

South Africa and other English speaking African countries

Enerpac Africa Pty Ltd.
No. 5 Bauhinia Avenue
Cambridge Office Park
Block E
Highveld Techno Park
Centurion 0157
Republic of South Africa
T: +27 12 940 0656
sales-za@enerpac.com

United Kingdom and Ireland

ENERPAC UK Ltd.
5 Coopies Field
Morpeth, Northumberland
NE61 6JR, England
T +44 (0) 1670 5016 50
F +44 (0) 1670 5016 51
sales-uk@enerpac.com

USA, Latin America and Caribbean

ENERPAC World Headquarters
P.O. Box 3241
Milwaukee WI 53201-3241 USA
N86 W12500 Westbrook Crossing
Menomonee Falls, Wisconsin 53051
T +1 262 293 1600
F +1 262 293 7036
User inquiries:
T +1 800 433 2766
Distributor inquiries/orders:
T +1 800 558 0530
F +1 800 628 0490
Technical inquiries:
techservices@enerpac.com
sales-us@enerpac.com

All Enerpac products are guaranteed against defects in workmanship and materials for as long as you own them.

For the location of your nearest authorized Enerpac Service Center, visit us at www.enerpac.com