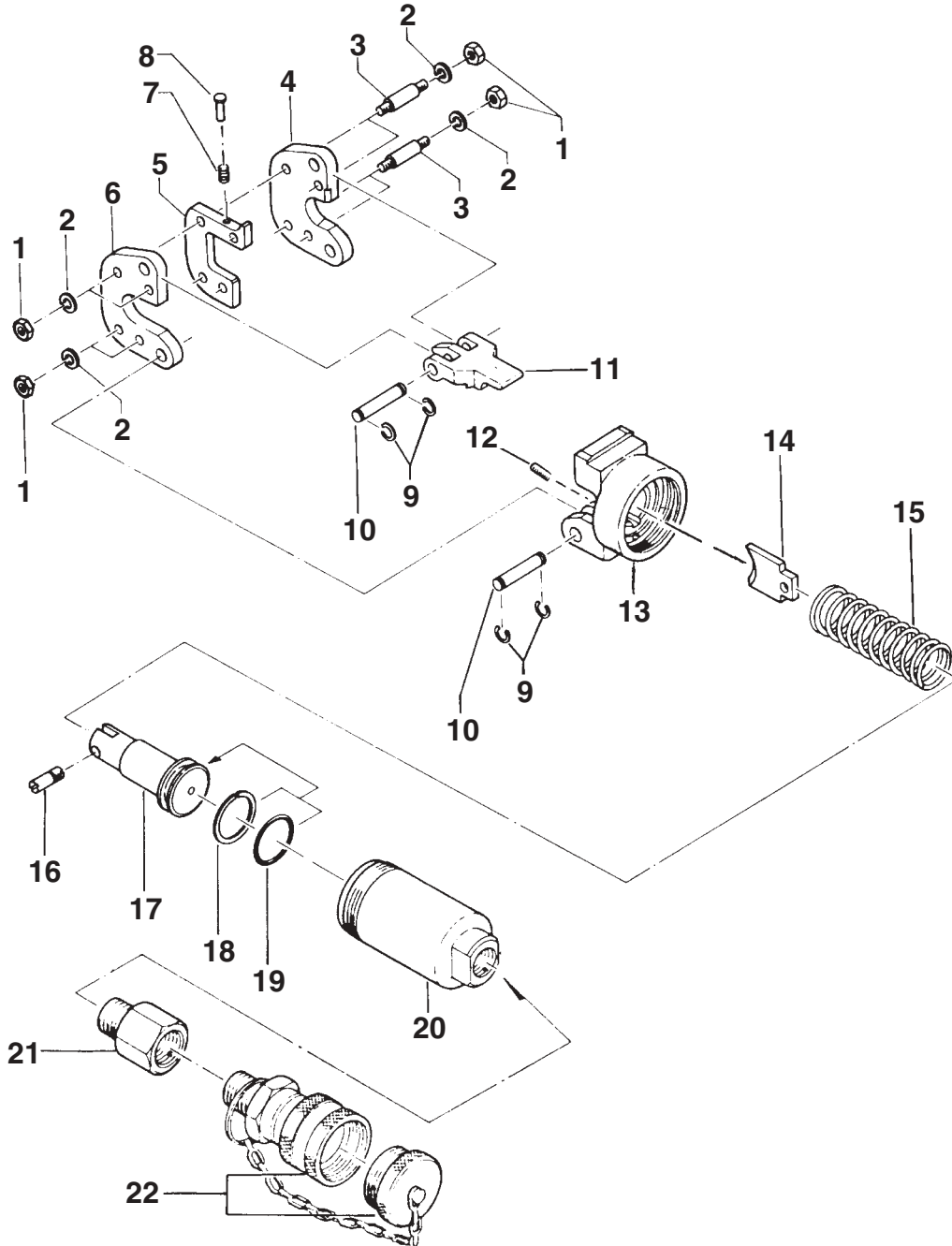


L1079
Rev. B
01/98
PC5025



WARNING:

To avoid injury, when removing Cover Head (13) the Blade (14) must remain assembled to the Ram (17) with Blade Screw (16).

TO PROTECT YOUR WARRANTY, USE ONLY ENERPAC HYDRAULIC OIL.

Parts List

Item	Part Number	Qty.	Description	Item	Part Number	Qty.	Description
1	WM581601	8	M6 Hex. Nut	13	WM582001	1	Cylinder Head
2	WMM581602	8	M6 Lock Washer	14	WCB750	1	Blade
3	WM581603	4	Stud Bolt	15	WH752001	1	Ram Spring
4	WM752002	1	Head Shear	16	WM581619	1	Blade Screw
5	WM752070	1	Spacer	17	WH752002	1	Ram
6	WM752004	1	Main Head	18	★ WH752003	1	Back-Up Ring
7	★ WM3388537	1	Spring	19	★ WH752004	1	O-Ring
8	★ WM752071	1	Slide Pin	20	WH752101	1	Cylinder
9	★ WM581609	4	Snap Ring	21	WH3388580	1	3/8 NPT Adapter
10	WM581610	2	Pin	22	CR400	1	Half Coupler
11	WM581611	1	Latch	-	CL759625	1	Carrying Bag (not shown)
12	WH2005602	1	M5x8 Screw				

★ Indicates items included in Repair Kit WHC75K1.

Australia

ENERPAC
Applied Power Australia, Ltd.
P.O. Box 261 Regents Park
Sydney, N.S.W. 2143
Tel: (61) (2) 9743 8988
Fax: (61) (2) 9743 8648

CIS

Applied Power Moscow
Leninsky Prospekt 95A
117313 Moscow, Russia
Tel: (7)(95) 956 5090
Fax: (7)(95) 936 2006

France, Switzerland, Turkey, Greece, Africa, Middle East

ENERPAC S.A.
B.P.200, Parc d'Activitiés
du Moulin de Massy
1 rue du Saule Trapu,
F-91882 Massy CEDEX
(Paris) France
Tel: (33) 1 60 13 68 68
Fax: (33) 1 69 20 37 50

Germany, Scandinavia, Eastern Europe, Austria, Switzerland

ENERPAC
Applied Power GmbH
P.O. Box 30 01 13
Mündelheimer Weg 51
40472 Düsseldorf 30
Germany
Tel: (49) (211) 47 14 90
Fax: (49) (211) 4714 940

Holland, Belgium, and Luxemburg

ENERPAC B.V.
P.O. Box 269, Storkstraat 25
3900AG Veenendaal
Holland
Tel: (31) (318) 535911
Fax: (31) (318) 525613

Hong Kong

ENERPAC
Applied Power Asia PTE LTD.
Room No. 907, Workingberg
Commercial Building
41-47 Marble Road,
North Point
Tel: (852) 2561-6285
Fax: (852) 2561-6772

India

ENERPAC
Hydraulics (India) Pvt Ltd.
203 Vardhaman Chambers
Plot #84, Sector 17
Vashi, New Bombay 400 705
Maharashtra, India
Tel: 91-22-7632061
Fax: 91-22-7670309

Italy

ENERPAC
Applied Power Italiana S.p.A.
Via Canova, 4
20094 Corsico (Milano)
Italy
Tel: 39 2 45 82 741
Fax: 39 2 48 60 12 88

Japan

Applied Power Japan LTD
10-17 Sasame Kita-cho
Toda-City
Saitama 335,
Japan
Tel: 81 048 422 2251
Telex: J26275
Fax: 81 048 422 0596

Mexico

ENERPAC
Applied Power Mexico
Av. Principal La Paz #100
Fracc. Industrial La Paz
42092 Pachuca, Hidalgo, Mexico
Tel: (52) 771 33700
Fax: (52) 771 83800

Singapore

Applied Power Asia PTE LTD.
47 Jalan Pemimpin #01-02 &
#01-03 Sin Cheong Building
Singapore 577200
Tel: (65) 258 1677
Fax: (65) 258 2847

South Korea

ENERPAC
Applied Power Korea Ltd.
163-12, Dodang-Dong
Wonmi-ku, Buchun-Shi,
Kyunggi-Do
Republic of Korea
Tel: (82) (32) 675 0836
Fax: (82) (32) 675 3002

Spain, Portugal

ENERPAC
Applied Power International, S.A.
Calle de la Imprenta, 7
Polígono Industrial
28100 Acobendas (Madrid)
Spain
Tel: (34) 1 661 11 25
Fax: (34) 1 661 47 89

United Kingdom, Ireland

ENERPAC Ltd. Unit 3
Colemeadow Road
North Moons Moat
Redditch, Worcester B98 9BP
England
Tel: 44 01527 598 900
Fax: 44 01527 585 500

United States, Canada, Latin America and Caribbean

ENERPAC
13000 West Silver Spring Drive
Butler, Wisconsin 53007, USA
Tel: (414) 781-6600
1-800-433-2766 (End User)
1-800-558-0530 (Distributor)
Fax: (414) 781-1049

Canada

Tel: 1-800-426-4129 (End User)
Tel: 1-800-426-2284 (Distributor)

Latin America and Caribbean

Tel: (414) 781-6600 ext. 263
Fax: (414) 781-5561



All Enerpac products are guaranteed against defects in workmanship and materials for as long as you own them. Under this guarantee, free repair or replacement will be made to your satisfaction.

For prompt service, contact your Authorized Enerpac Service Center or call toll free:

In U.S.A. 1-800-558-0530

In Canada 1-800-426-2284

PRINTED IN U.S.A.