

L3060 Rev. B 08/12

Index:

English	1-7
Français	8-14
Deutsch	15-21
Italiano	22-28
Español	29-35
Nederlands	36-42
Portuguese	43-49
Finnish	50-56
Norwegian	57-63
Swedish	64-70
中文	71-77
日本語	78-84

Repair Parts Sheets for this product are available from the Enerpac web site at www.enerpac.com, or from your nearest Authorized Enerpac Service Center or Enerpac Sales office.

1.0 IMPORTANT RECEIVING INSTRUCTIONS

Visually inspect all components for shipping damage. Shipping damage is not covered by warranty. If shipping damage is found, notify carrier at once. The carrier is responsible for all repair and replacement costs resulting from damage in shipment.

SAFETY FIRST

2.0 SAFETY ISSUES



Read all instructions, warnings and cautions carefully. Follow all safety precautions to avoid personal injury or property damage during system operation. Enerpac cannot be responsible for damage or injury resulting from unsafe product use, lack of maintenance or incorrect product and/or system operation. Contact Enerpac when in doubt as to the safety precautions and operations. If you have never been trained on high-pressure hydraulic safety, consult your distribution or service center for a free Enerpac Hydraulic safety course.

Failure to comply with the following cautions and warnings could cause equipment damage and personal injury.

A **CAUTION** is used to indicate correct operating or maintenance procedures and practices to prevent damage to, or destruction of equipment or other property.

A **WARNING** indicates a potential danger that requires correct procedures or practices to avoid personal injury.

A **DANGER** is only used when your action or lack of action may cause serious injury or even death.



WARNING: Wear proper personal protective gear when operating hydraulic equipment.



WARNING: Stay clear of loads supported by hydraulics. A cylinder, when used as a load lifting device, should never be used as a load holding device. After the load has been raised or lowered, it must always be blocked mechanically.



WARNING: USE ONLY RIGID PIECES TO HOLD LOADS. Carefully select steel or wood blocks that are capable of supporting the load. Never use a hydraulic cylinder as a shim or spacer in any lifting or pressing application.



DANGER: To avoid personal injury keep hands and feet away from cylinder and workpiece during operation.



WARNING: The system operating pressure must not exceed the pressure rating of the lowest rated component in the system. Install pressure gauges in the system to monitor operating pressure. It is your window to what is happening in the system.



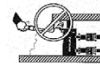
CAUTION: Avoid damaging hydraulic hose. Avoid sharp bends and kinks when routing hydraulic hoses. Using a bent or kinked hose will cause severe back-pressure. Sharp bends and kinks will internally damage the hose leading to premature hose failure.



Do not drop heavy objects on hose. A sharp impact may cause internal damage to hose wire strands. Applying pressure to a damaged hose may cause it to rupture.



IMPORTANT: Do not lift hydraulic equipment by the hoses or swivel couplers. Use the carrying handle or other means of safe transport.



CAUTION: Keep hydraulic equipment away from flames and heat. Excessive heat will soften packings and seals, resulting in fluid leaks. Heat also weakens hose materials and packings. For optimum performance do not expose equipment to temperatures of 65°C [150°F] or higher. Protect hoses and cylinders from weld spatter.



DANGER: Do not handle pressurized hoses. Escaping oil under pressure can penetrate the skin, causing serious injury. If oil is injected under the skin, see a doctor immediately.



WARNING: Only use hydraulic torque wrenches in a coupled system. Never use a torque wrench with unconnected couplers. If the torque wrench becomes extremely overloaded, components can fail catastrophically causing severe personal injury.



IMPORTANT: Hydraulic equipment must only be serviced by a qualified hydraulic technician. For repair service, contact the Authorized ENERPAC Service Center in your area. To protect your warranty, use only ENERPAC oil.



WARNING: Immediately replace worn or damaged parts with genuine ENERPAC parts. Standard grade parts will break causing personal injury and property damage. ENERPAC parts are designed to fit properly and withstand high loads.



WARNING: Do not use electric pumps in an explosive atmosphere. Adhere to all local and national electrical codes. A qualified electrician must do installation and modification.



WARNING: Keep hands clear of moving parts and pressurized hoses.



WARNING: These pumps have internal factory adjusted relief valves, which must not be repaired or adjusted except by an Authorized Enerpac Service Center.



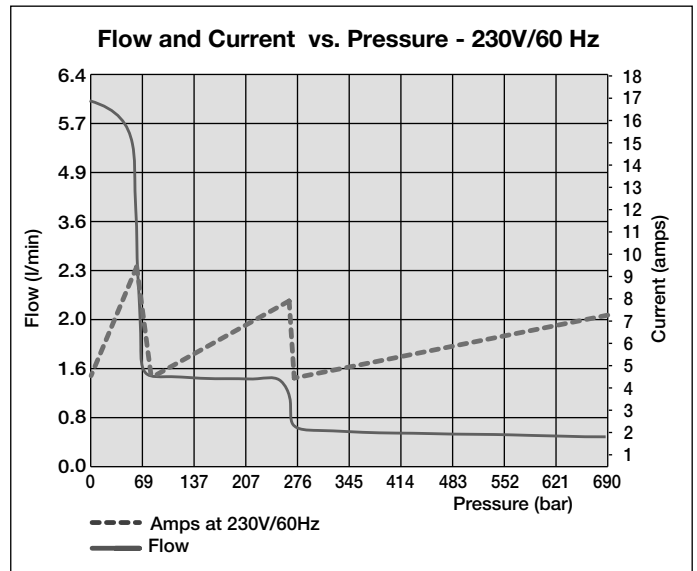
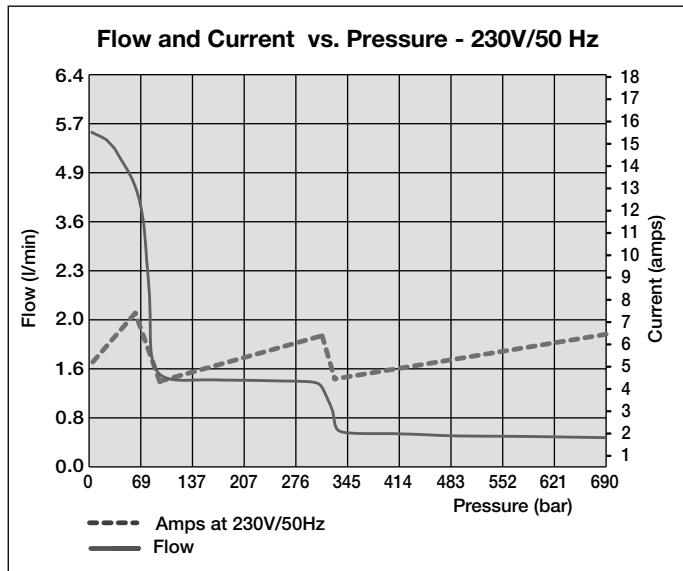
WARNING: To prevent damage to pump electric motor, check specifications. Use of incorrect power source will damage the motor.

3.0 PRODUCT DATA

3.1 Specifications

Model	Motor Size*	Max. Operating Pressure	Motor Electrical Specifications	Output Flow Rate			Sound Level	Relief Valve Adjustment Range	Approx. Weight w/o oil
	HP [kW]	psi [bar]	Volts-Phase-Hz	1st Stage	2nd Stage	3rd Stage	dBA	psi [bar]	lbs. [kg]
TQ-700E	1.0 [0,75]	10,000 [700]	230-1-50	320 in ³ [5,25 l/min] at 100 psi [6,9 bar]	82 in ³ [1,34 l/min] at 4,300 psi [296 bar]	30 in ³ [0,49 l/min] at 10,000 psi [700 bar]	82-85	1,400-10,000 [140-700]	66 [30]
TQ-700I	1.0 [0,75]	10,000 [700]	230-1-60	380 in ³ [6,23 l/min] at 100 psi [6,9 bar]	98 in ³ [1,61 l/min] at 4,300 psi [296 bar]	38 in ³ [0,63 l/min] at 10,000 psi [700 bar]	75-79	1,400-10,000 [140-700]	66 [30]

3.2 Performance Charts



Note: Actual current draw will vary depending on the application.

4.0 INSTALLATION

Position the pump to ensure that air flow around the motor and pump is unobstructed. Keep the motor clean to ensure maximum cooling during operation.

4.1 Reservoir Breather

See Figure 1. A shipping plug (A) is installed in the breather port on the top of the reservoir. Before using the pump, replace the shipping plug (A) with the reservoir breather (B) and adapter fitting (C).

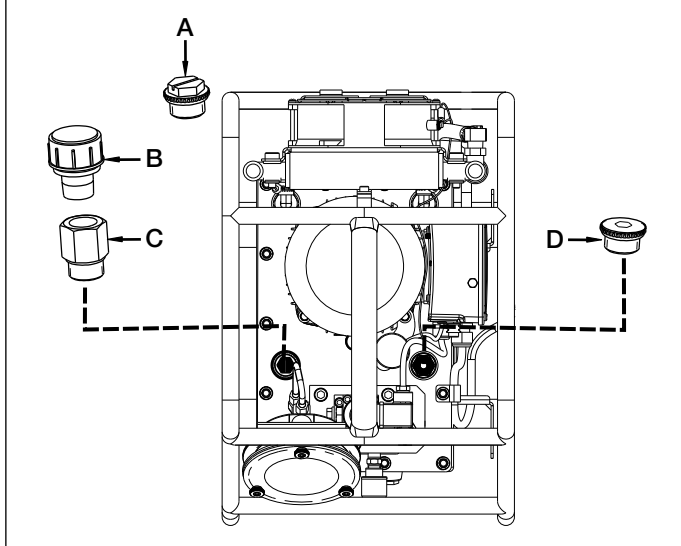


Figure 1, Reservoir Breather and Oil Fill Plug

4.2 Oil Level

Check the pump oil level prior to start-up. The reservoir is full when the oil level is up to the top line of the sight gauge as shown in Figure 2. If necessary, add oil by removing the oil fill plug (D) from the filler tube as shown in Figure 1. Use Enerpac HF oil (ISO Grade 32).

IMPORTANT: Add oil only when all system components are fully retracted, or the system will contain more oil than the reservoir can hold. The oil level can be above the top line of gauge, but should remain at least 1 inch [2.5 cm] below the underside of the pump coverplate.

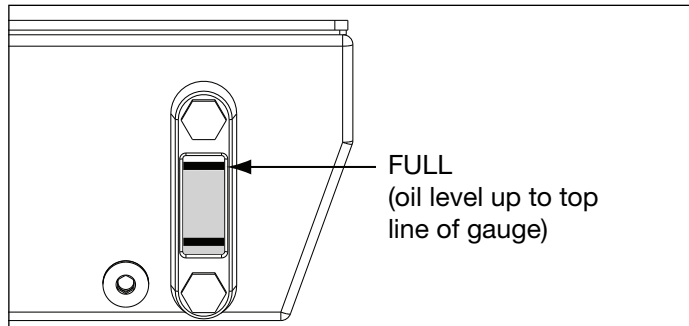


Figure 2, Oil Sight Gauge

4.3 Electrical Connections



WARNING: The pump is factory equipped with the common electrical plug for a given voltage. Altering the plug type should only be done by a qualified electrician, adhering to all applicable local and national codes.

1. The disconnect and line circuit protection is to be provided by customer. Line circuit protection is to be 115% of motor full load current at maximum pressure of application.
2. For more information, refer to pump name plate and/or motor nameplate for power rating. Also refer to Section 3.2.

4.4 Hydraulic Connections

Threaded connections, such as fittings, must be securely tightened and leak free. Use 1-1/2 wraps of Teflon tape (or suitable thread sealant) on all threads, leaving the first complete thread free of tape to ensure no foreign matter enters the hydraulic circuit. Trim loose ends.

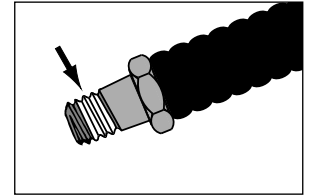


Figure 3, Thread Sealant

IMPORTANT: Use care to prevent pieces of tape from entering the hydraulic system.

Connect hoses as shown in Figures 4 and 5.

Use hoses rated at 700 bar/10,000 psi operating pressure. Couplers must be polarized per Figure 5 for correct wrench operation. Ensure couplers are fully engaged and tightened before operating. Partial coupler engagement will prevent proper wrench operation.



WARNING: When using pumps with multi-wrench manifolds, ensure all unused couplers have the protective caps fully installed before starting pump.

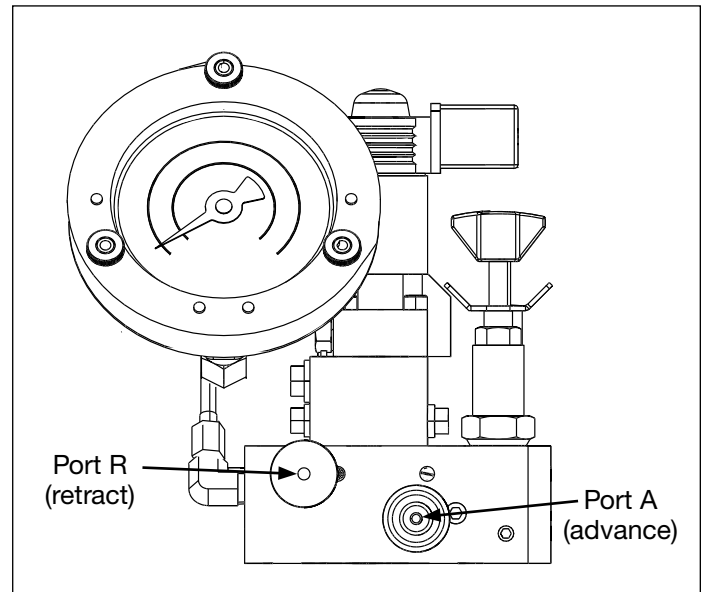


Figure 4, Valve Connections

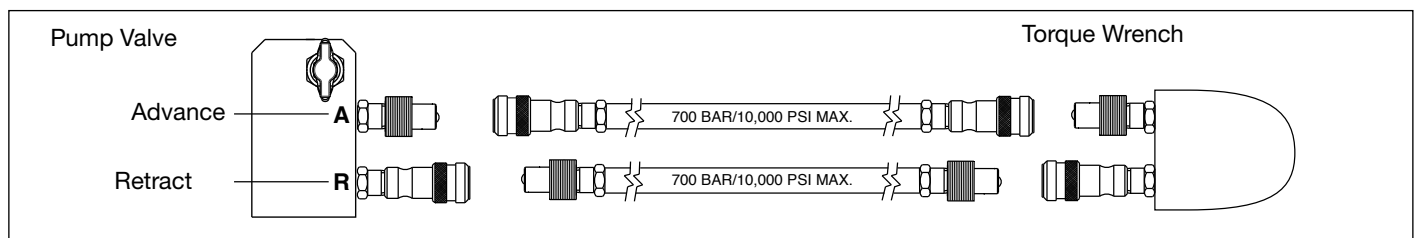


Figure 5, Hose Details (top view)

5.0 OPERATION

5.1 Before Operating the Pump

1. Install reservoir breather and check oil level as described in sections 4.1 and 4.2.
2. If used, install torque overlay as described in Section 5.5.
3. Set pressure (torque) setting as described in Section 5.6.
4. Connect hydraulic hoses as described in Section 4.4.

5.2 Pendant Controls

See Figure 6.

Pendant “ON/ADV” Button:

Button pressed -

- Motor starts.
- Wrench ADVANCES for as long as button is held down.

Button released -

- Wrench RETRACTS.
- Motor continues running for 20 seconds.

Pendant “OFF” Button:

Motor stops immediately when button is pressed. (no time delay)

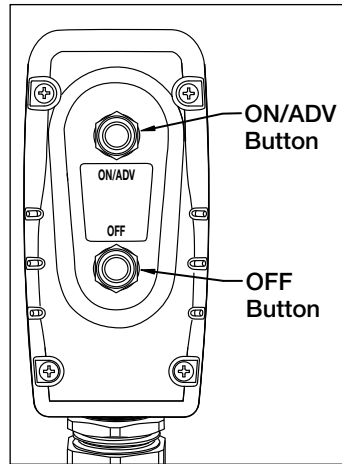


Figure 6, Pendant Buttons

5.3 Pump Operation

IMPORTANT: When possible, a single user should operate the torque wrench and pump. This can prevent accidental activation of the pump while the operator is positioning the wrench.



WARNING: In the following step, the pump motor will start and the valve will shift automatically, retracting the torque wrench. Verify torque wrench is positioned to avoid injury or equipment damage before starting motor.

1. To start the pump, press the “ON/ADV” button on the pendant. See Figure 6. The motor will start automatically, and the wrench will begin to advance. The wrench will continue advancing for as long as the button is held down. The pressure gauge will show the pressure in the advance circuit.
2. Release the “ON/ADV” button to retract the wrench. After button is released, the gauge will show the pressure in the retract circuit (R-port bypass), approximately 2500 - 2800 psi [173 -193 bar].
3. Press the “OFF” button to stop the pump.

Note: If the “ON/ADV” button is not pushed within any continuous 20 second period, the pump’s built in timer will automatically shut off the motor.

Note: When the wrench is first connected to the pump, air will be trapped in the hydraulic circuit. Remove air by placing wrench and straightened hoses below pump. Operate wrench without load as required, until it advances and retracts without hesitation.

5.4 Relieving Pressure

To relieve hydraulic pressure on the wrench and hoses:

- Press and hold the “OFF” button. See Figure 7.
- While continuing to hold down the “OFF” button, press and release the “ON/ADV” button three or more times, until the pressure gauge indicates zero (0) psi/bar. The hoses can now be removed.

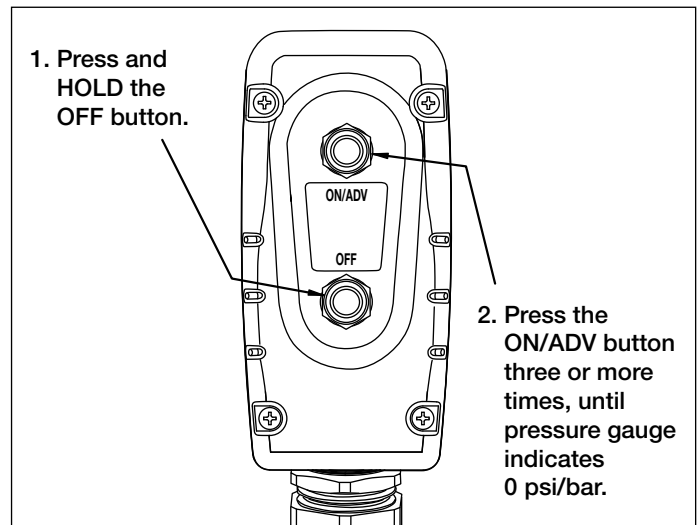


Figure 7, Relieving Pressure (using pendant buttons)

If pressure cannot be relieved by using the pendant buttons, firmly depress the manual override button at the top of the valve assembly. This will manually shift the valve spool, relieving trapped pressure.

IMPORTANT: The manual override button is intended for occasional use only, such as during a power failure.

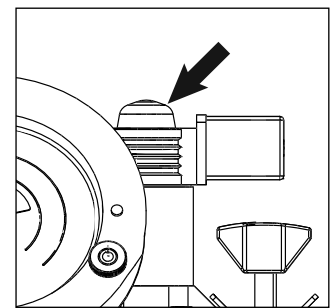


Figure 8, Manual Override Button (on valve)

5.5 Pressure Gauge Torque Overlay

For your convenience, torque overlays for selected Enerpac torque wrench models are provided with the pump.

A torque overlay fits over the pressure gauge dial face and easily converts pressure readings to torque readings. The overlay has imperial units (ft-lbs.) on one side and metric units (Nm) on the other. To change scales, simply flip overlay over.



WARNING: Each overlay is sized ONLY for a specific Enerpac torque wrench model. Do not use with other wrench models.

Install a torque overlay as described in the following steps. See Figure 9.

1. Remove the top thumbscrew securing the gauge shield. Loosen, but do not remove the bottom two thumbscrews.
2. Place the desired overlay onto the flange bracket, aligning the overlay with the dimples on the bracket.

IMPORTANT: Always verify that the correct overlay is installed for the Enerpac torque wrench being used.

3. After the overlay is in place, tighten the bottom two thumbscrews. Reinstall and tighten the top thumbscrew.
4. See torque wrench instructions for amount of hydraulic pressure required to produce the desired torque. Note that the maximum pressure will vary for different wrenches and accessories.

IMPORTANT: Refer to torque wrench instructions for wrench operating procedure and specifications.

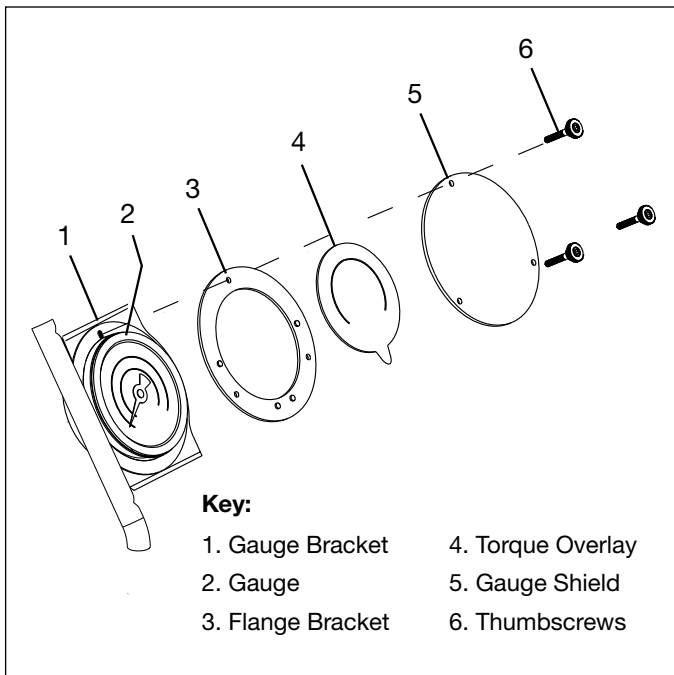


Figure 9, Gauge Overlay

5.6 Pressure (Torque) Setting

To limit the advance pressure to the torque wrench, adjust the pressure setting as described in the following procedure. See Figure 10.



WARNING: Adjust the pump pressure setting BEFORE putting torque wrench on nut or bolt head.

The pump pressure setting must not be above the pressure needed to provide the required torque for your application. Exceeding required torque will cause equipment damage and may lead to serious personal injury.

1. Disconnect hoses from valve manifold “A” and “R” ports. Install metal protective caps over fittings.
2. Loosen the relief valve locking nut.
3. Rotate the adjusting knob counter-clockwise as required, to prevent unintended pressure build-up.
4. Press and hold the pendant “ON/ADV” button. Motor will start and pressure will begin building in the A-Port advance circuit.
5. While continuing to hold down the pendant “ON/ADV” button, SLOWLY rotate the adjusting knob clockwise to increase the pressure setting or counter-clockwise to decrease the pressure setting.

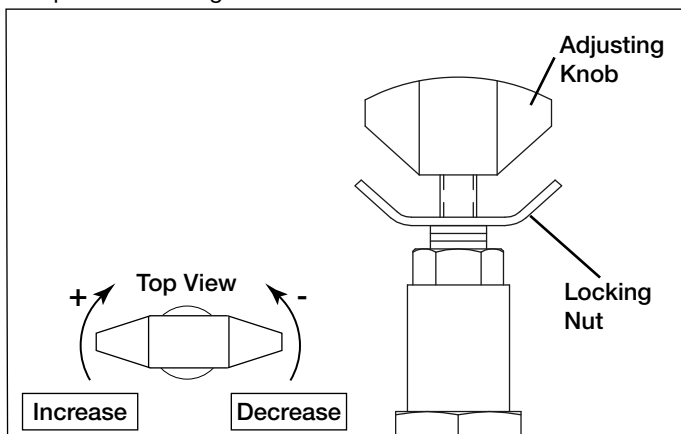


Figure 10, Pressure Setting Adjustment

6. Release the pendant “ON/ADV” button to allow the system pressure to return to the R-port retract setting. The motor will continue to run.
7. Press and hold the pendant “ON/ADV” button again to recheck the advance circuit pressure setting. Verify that the desired pressure is indicated on the pressure gauge.
8. After the desired pressure setting has been obtained, tighten the relief valve locking nut.

5.7 Circuit Breaker

A push-button circuit breaker is located on the pump electrical enclosure. See Figure 11.

In the event of an electrical overload, the circuit breaker will trip.

After investigating and correcting the source of the overload, push the circuit breaker button to reset.

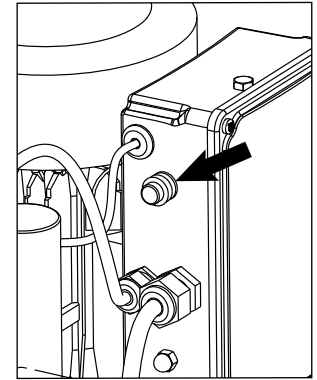


Figure 11, Circuit Breaker

6.0 MAINTENANCE

Frequently inspect all system components for leaks or damage. Repair or replace damaged components. Electrical components, for example, the power cord, may only be repaired or replaced by a qualified electrician, adhering to all applicable local and national codes.



WARNING: Disconnect pump from electrical power before performing any maintenance or repairs.

6.1 Change Oil and Clean Reservoir

Enerpac HF oil is a crisp blue color. Frequently check oil condition for contamination by comparing pump oil to new Enerpac oil. As a general rule, completely drain and clean the reservoir every 250 hours, or more frequently if used in dirty environments.

Note: This procedure requires that you remove the pump from the reservoir. Work on a clean bench and dispose of used oil according to local codes.

Change oil and clean reservoir as described in the following steps. Refer to the pump repair parts sheet for parts identification and disassembly/reassembly details.

1. Unplug pump power cord from electrical outlet.
 2. Remove the drain plug and drain all oil from the reservoir into a suitable container. Clean and reinstall the drain plug.
 3. Remove left and right side panels from roll cage.
 4. Disconnect tubing from gauge.
- Note:** Oil may flow from disconnected hoses during the next step. Place a suitable container under hose ends to catch any oil.
5. Loosen clamps on oil cooler hoses at reservoir. Gently pull hoses off of barbed fittings.
 6. Unplug cooler fan cable from fan. Disconnect ground wire (green) from fan ground screw.
 7. Remove bolts securing pump reservoir to roll cage. Remove pump from roll cage.
 8. Uncoil pump power cord and pendant cable from cord storage bracket.
 9. Remove two bolts securing cord storage bracket to pump coverplate. Remove bracket, sealing washers and copper washers.

10. Remove the remaining bolts and copper washers around outer edge of pump top plate.
11. Carefully lift and remove pump assembly from reservoir.
12. Wipe interior surfaces of reservoir. Thoroughly clean the reservoir with a suitable cleaning agent.



WARNING: Follow manufacturer's directions when using cleaning agents and solvents. Wear appropriate hand and eye protection.

13. Remove the five Allen socket head cap screws securing the intake screen to the 1st stage gear pump. Be careful not to remove the center plate and gears.

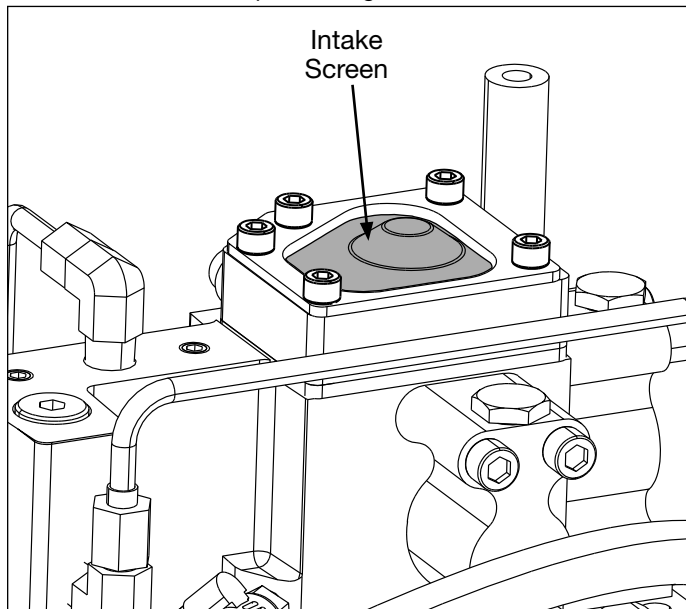


Figure 12, Intake Screen

(Note: pump shown removed from reservoir and positioned upside-down)

14. Remove the intake screen and clean with nonflammable solvent. Then, blow dry the screen clean.



WARNING: Wear appropriate eye protection when using compressed air. Do not exceed 30 psi for cleaning purposes.

15. Reinstall the intake screen. Torque the five Allen socket head cap screws to 75 inch pounds [8,5 Nm].
16. Install a new reservoir gasket.
17. Reassemble the pump and reservoir, following steps 1 through 11 in reverse order.

Note: During reassembly, tighten fasteners to the following torques:

- Top plate reservoir retaining bolts: Apply Loctite 243 to threads and torque to 50-60 in-lbs [5,6-6,7 Nm].
 - Roll cage bolts: Apply Loctite 243 to threads and torque to 120-140 in-lbs [13,5-15,8 Nm].
 - Side panel bolts: Apply Loctite 243 to threads and torque to 60-72 in-lbs [6,7-8,1 Nm].
18. Fill the reservoir with clean Enerpac HF hydraulic oil (ISO Grade 32). The reservoir is full when oil level is as shown in Figure 2.

7.0 TROUBLESHOOTING (See Troubleshooting Guide)

Only qualified hydraulic technicians should service the pump or system components. A system failure may or may not be the result of a pump malfunction. To determine the cause of the problem, the complete system must be included in any diagnostic procedure.

The information in the troubleshooting guide is intended to be used only as an aid in determining if a problem exists. For repair service, contact your local Enerpac Authorized Service Center.

Troubleshooting Guide		
Problem	Possible Cause	Action
Pump will not start when "ON/ADV" button is depressed.	No power.	Connect power.
	Power cord damaged.	Be sure power cord is not damaged.
	Circuit breaker tripped.	Push circuit breaker button to reset.
	Low voltage.	Turn off other electric loads. Use heavier gauge extension cord.
	Pendant damage.	Repair pendant. See authorized service center.
Motor stops under load.	Low voltage.	Push circuit breaker button to reset (if tripped). Turn off other electric loads. Use heavier gauge extension cord.
	Cold oil.	Push circuit breaker button to reset (if tripped). Run pump at 2000 psi [140 bar] for 5 minutes to warm the oil before using pump. Use Enerpac LX oil (ISO Grade 15) in cold climates.

(continued on next page)

Troubleshooting Guide (continued)

Problem	Possible Cause	Action
Noisy Operation.	Air trapped in system.	Bleed air from system.
	Reservoir breather not installed.	Remove shipping plug and install breather per Section 4.1.
	Low oil level.	Be sure oil reservoir is filled to normal level. Add oil per Section 4.2.
	Air leaks.	Check all points where air may enter the system. Tighten fittings and/or make repairs as required.
	Intake screen clogged.	Clean intake screen.
Electric valve will not operate.	No power to pump or wrong voltage.	Connect to correct power source per pump nameplate.
	Solenoid cable disconnected or damaged.	Connect, repair, or replace cable.
	Solenoid coil not operational.	See authorized service center.
Pump runs but will not pump oil. or Pump will not build full pressure.	Pump is not primed.	Run pump for a few minutes while tipping it gently from side to side.
	Reservoir breather not installed.	Remove shipping plug and install breather per Section 4.1.
	Low oil level.	Add oil per Section 4.2.
	Relief valve pressure set too low.	Adjust per Section 5.6.
	External system leak.	Inspect and repair or replace parts as required.
	Intake screen clogged.	Clean intake screen.
	Internal leak in pump.	See authorized service center.
	Internal leak in valve.	
Internal leak in system component.		
Pump builds full pressure, but torque wrench does not advance.	Torque greater than wrench capacity at full pressure.	Use torque wrench with larger capacity.
	Advance flow line to wrench restricted or blocked.	Check couplers for full engagement per Section 4.4.
Torque wrench will not retract.	Return flow line from wrench restricted or blocked.	Check couplers for full engagement per Section 4.4. Run motor when retracting.
	Valve malfunction.	See authorized service center.
Pressure gauge does not read zero (0) psi/bar when pump motor is stopped.	Pressure not relieved.	Relieve pressure per Section 5.4.
	Pressure gauge is out of calibration.	Have pressure gauge re-calibrated by a qualified calibration facility.
Pump runs hot.	Advance or retract flow restricted.	Check couplers for full engagement per Section 4.4
	Low oil level.	Add oil per Section 4.2.
	Oil cooler fan not working.	Check oil cooler fan for proper operation.
	Oil cooler heat exchanger covered with dirt or clogged.	Remove any dirt from oil cooler fins and fan. Check oil cooler tubing for clogs.

Pompe pour clé dynamométrique série classique TQ-700

L3060 Rev. B 08/12

Les vues éclatées de ce produit sont disponibles sur le site Enerpac www.enerpac.com. Vous pouvez également les obtenir auprès de votre réparateur agréé Enerpac ou auprès d'Enerpac même.

1.0 INSTRUCTIONS IMPORTANTES RELATIVES À LA RÉCEPTION

Inspecter tous les composants pour vous assurer qu'ils n'ont subi aucun dommage en cours d'expédition. Les dommages subis en cours de transports ne sont pas couverts par la garantie. S'il sont abîmés, aviser immédiatement le transporteur, qui est responsable des frais de réparation et de remplacement résultant de dommages en cours de transport.

LA SÉCURITÉ AVANT TOUT !

2.0 SÉCURITÉ



Lire attentivement toutes les instructions et mises en garde et tous les avertissements. Suivre toutes les précautions pour éviter d'encourir des blessures personnelles ou de provoquer des dégâts matériels durant le fonctionnement du système. Enerpac ne peut pas être tenue responsable de dommages ou blessures résultant de l'utilisation risquée du produit, d'un mauvais entretien ou d'une application incorrecte du produit et du système. En cas de doute sur les précautions ou les applications, contacter Enerpac. En l'absence d'une formation aux mesures de sécurité à prendre en présence de liquides sous haute pression, consulter un centre de distribution ou de réparation Enerpac pour suivre un cours gratuit sur ce thème.

Respecter les mises en garde et avertissements suivants sous peine de provoquer des dégâts matériels et des blessures personnelles.

Une mise en garde **ATTENTION** sert à indiquer des procédures d'utilisation et de maintenance correctes qui visent à empêcher l'endommagement voire la destruction du matériel ou d'autres dégâts.

Un **AVERTISSEMENT** indique un danger potentiel qui exige la prise de mesures particulières visant à écarter tout risque de blessure.

La mention **DANGER** n'est utilisée que lorsqu'une action ou un acte de négligence risque de causer des blessures graves, voire mortelles.



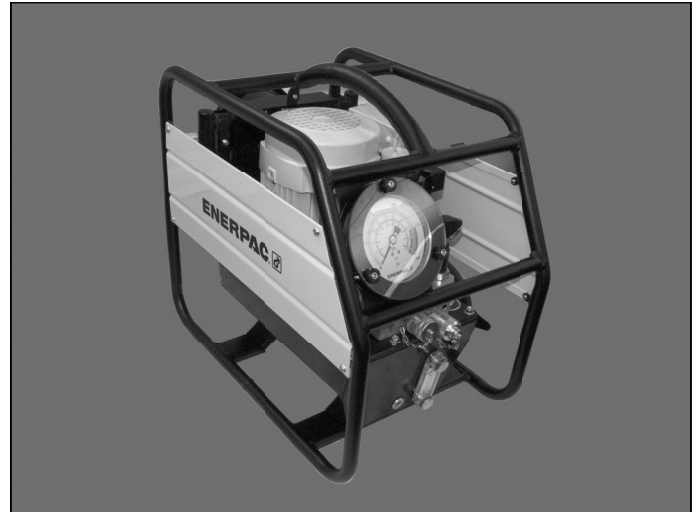
AVERTISSEMENT : Porter un équipement de protection personnelle adéquat pour utiliser un appareil hydraulique.



AVERTISSEMENT : Rester à l'écart de charges soutenues par un mécanisme hydraulique. Un vérin, lorsqu'il est utilisé comme monte-charge, ne doit jamais servir de support de charge. Après avoir monté ou abaissé la charge, elle doit être bloquée par un moyen mécanique.



AVERTISSEMENT : UTILISER SEULEMENT DES PIÈCES RIGIDES POUR SOUTENIR LES CHARGES. Sélectionner avec précaution des blocs d'acier ou de bois capables de supporter la charge. Ne jamais utiliser un vérin hydraulique comme cale ou intercalaire d'appui pour les applications de levage ou de pressage.



DANGER : Pour écarter tout risque de blessure personnelle, maintenir les mains et les pieds à l'écart du vérin et de la pièce à usiner durant l'utilisation.



AVERTISSEMENT : La pression de fonctionnement du système ne doit pas dépasser la pression nominale du système affichant la plus petite valeur. Installer des manomètres dans le système pour surveiller la pression de fonctionnement. Ils permettent de vérifier ce qui se passe dans le système.



ATTENTION : Éviter d'endommager les tuyaux hydrauliques. Éviter de les plier et de les tordre en les mettant en place. Un tuyau plié ou tordu entraînera un fort retour de pression. Les plis et coudes prononcés endommageront par ailleurs l'intérieur du tuyau, provoquant son usure précoce.



Ne pas faire tomber d'objets lourds sur le tuyau. Un fort impact risque de causer des dégâts intérieurs (torons métalliques). L'application d'une pression sur un tuyau endommagé risque d'entraîner sa rupture.



IMPORTANT : Ne pas soulever le matériel hydraulique en saisissant ses tuyaux ou ses raccords articulés. Utiliser la poignée de transport ou procéder d'une autre manière sûre.



ATTENTION : Garder le matériel hydraulique à l'écart de flammes et d'une source de chaleur. Une forte température amollira les garnitures et les joints et provoquera par conséquent des fuites. La chaleur affaiblit également les matériaux et les garnitures du tuyau. Pour une performance maximale, ne pas exposer le matériel à une température supérieure ou égale à 65 °C (150 °F). Protéger tuyaux et vérins de projections de soudure.



DANGER : Ne pas manipuler les tuyaux sous pression. L'huile sous pression qui risque de s'en échapper peut pénétrer dans la peau et provoquer des blessures graves. En cas d'injection d'huile sous la peau, contacter immédiatement un médecin.



AVERTISSEMENT : Les clés dynamométriques hydrauliques doivent être utilisées dans un système couplé seulement. N'utilisez jamais une clé dynamométrique dans un coupleur non branché. Si la clé dynamométrique est soumise à une charge excessive, ses composants peuvent se détacher et causer des blessures graves.



IMPORTANT : Le matériel hydraulique doit uniquement être réparé par un technicien hydraulique qualifié. Pour toute réparation, contacter le centre de réparation ENERPAC agréé le plus proche. Pour assurer la validité de la garantie, n'utiliser que de l'huile ENERPAC.



AVERTISSEMENT : Remplacer immédiatement les pièces usées ou endommagées par des pièces ENERPAC authentiques. Les pièces de qualité standard se casseront et provoqueront des blessures et des dégâts matériels. Les pièces ENERPAC sont conçues pour s'ajuster parfaitement et résister à de fortes charges.



ATTENTION : N'utilisez pas de pompe électrique en atmosphère explosive. Respectez toutes les réglementations électriques. L'installation ainsi que toutes modifications doivent obligatoirement être effectuées par un technicien qualifié.



ATTENTION : Tenez vos mains éloignées des pièces en mouvement et des flexibles sous pression.



ATTENTION : Ces pompes sont équipées de vannes réglées en usine ; celles-ci ne sont réparables ou réglables que par un centre de service agréé Enerpac.



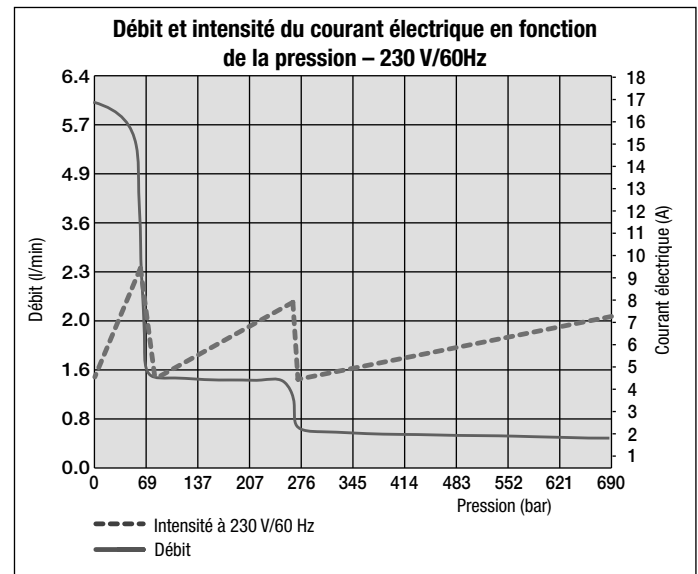
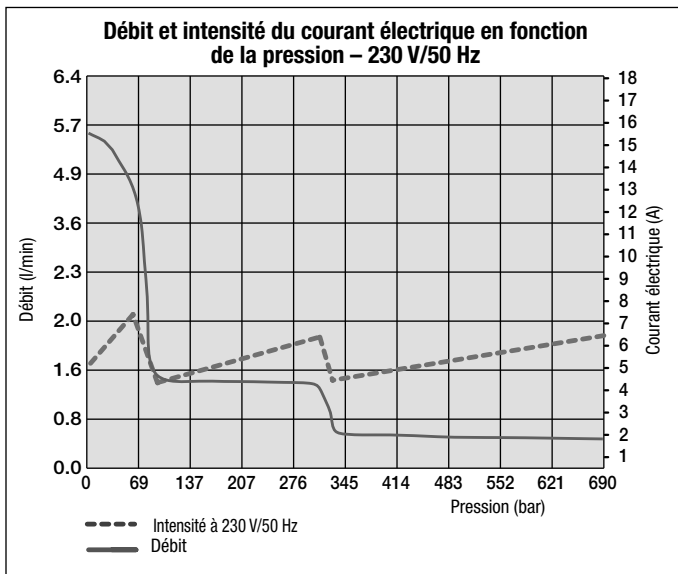
ATTENTION : Pour éviter d'endommager le moteur électrique de la pompe, vérifiez ses caractéristiques. Une alimentation électrique incorrecte provoquera des dommages au moteur.

3.0 INFORMATIONS RELATIVES AU PRODUIT

3.1 Caractéristiques

Modèle	Puissance du moteur	Pression maximale d'utilisation	Caractéristiques électriques du moteur	Débit de sortie			Niveau sonore	Plage de réglage du limiteur de pression	Poids approximatif sans huile
	HP [kW]	psi [bar]	Volts-Ph-Hz	1ère étage	2ème étage	3ème étage	dBA	psi [bar]	lbs. [kg]
TQ-700E	1.0 [0,75]	10,000 [700]	230-1-50	320 in ³ [5,25 l/min] à 100 psi [6,9 bar]	82 in ³ [1,34 l/min] à 4,300 psi [296 bar]	30 in ³ [0,49 l/min] à 10,000 psi [700 bar]	82-85	1,400-10,000 [140-700]	66 [30]
TQ-700I	1.0 [0,75]	10,000 [700]	230-1-60	380 in ³ [6,23 l/min] à 100 psi [6,9 bar]	98 in ³ [1,61 l/min] à 4,300 psi [296 bar]	38 in ³ [0,63 l/min] à 10,000 psi [700 bar]	75-79	1,400-10,000 [140-700]	66 [30]

3.2 Tableaux de performances



Note: L'intensité du courant électrique varie en fonction de l'application.

4.0 INSTALLATION

Positionner la pompe de façon à ce que l'air puisse circuler autour du moteur et à ce que la pompe ne soit pas obstruée. Garder le moteur propre pour assurer un refroidissement optimal pendant le fonctionnement.

4.1 Reniflard du réservoir

Voir Illustration 1. Un bouchon de transport (A) est installé dans l'orifice du reniflard situé sur la partie supérieure du réservoir. Avant d'utiliser la pompe, remplacer le bouchon de transport (A) par le reniflard (B) et l'adaptateur (C).

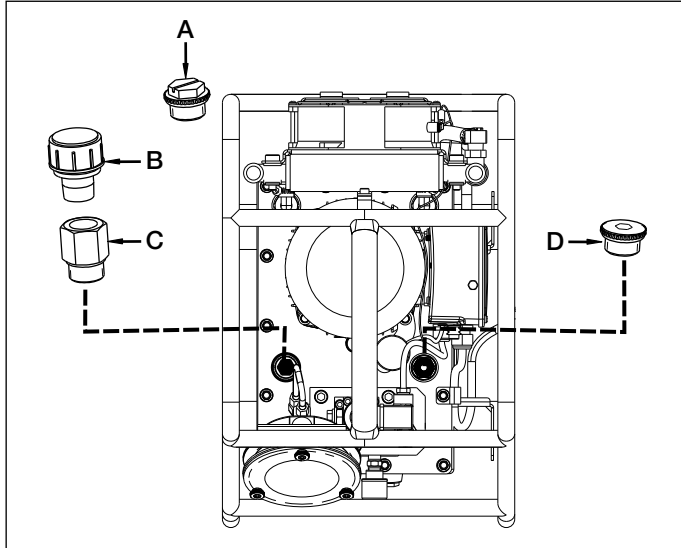


Illustration 1, Reniflard et bouchon de remplissage d'huile

4.2 Niveau d'huile

Vérifier le niveau d'huile de la pompe avant de la démarrer. Le réservoir est plein lorsque le niveau d'huile atteint la ligne supérieure de la jauge visuelle, comme indiqué sur l'illustration 2. Si besoin, ajouter de l'huile en retirant le bouchon de remplissage d'huile (D) du goulot de remplissage, comme indiqué sur l'illustration 1. Utiliser de l'huile Enerpac HF (ISO Grade 32).

IMPORTANT: Ajouter de l'huile uniquement quand les composants système sont en position rétracté, sans quoi il y aura plus d'huile dans le système que le réservoir ne peut en contenir. Le niveau d'huile peut être au-dessus de la ligne supérieure de la jauge, mais il doit rester au minimum 2,5 cm sous le dessous du couvercle de la pompe.

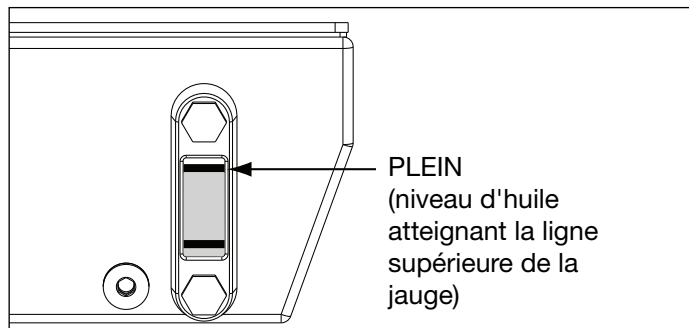


Illustration 2, Jauge visuelle

4.3 Raccordements électriques



ATTENTION : La pompe est équipée en standard de la prise électrique correspondant à un voltage donné. La modification du type de prise doit uniquement être effectuée par un électricien qualifié, conformément aux règlements locaux et nationaux en vigueur.

1. Le dispositif de déconnexion et la protection du circuit doivent être fournis par le client. La protection du circuit doit correspondre à 115 % du courant à pleine charge du moteur à pression maximale.
2. Pour connaître la puissance nominale, consulter la plaque signalétique de la pompe et/ou du moteur. Consulter également la Section 3.2.

4.4 Raccordements hydrauliques

Les connexions filetées, comme les raccords, doivent être bien serrées et étanches. Utiliser des bandes de ruban en Téflon (ou d'un matériau d'étanchéité pour raccord fileté adapté) de 1-1/2 sur tous les filets sauf le premier, pour éviter que des matériaux étrangers ne pénètrent dans le circuit hydraulique. Couper les extrémités.

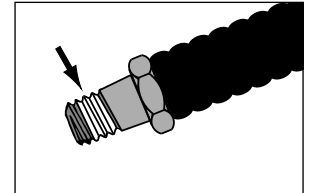


Illustration 3, Ruban d'étanchéité pour raccord fileté

IMPORTANT: Faire attention à ce qu'aucun morceau de ruban ne pénètre dans le système hydraulique.

Raccorder les flexibles comme indiqué sur les Illustrations 4 et 5.

Utiliser des flexibles adaptés à une pression de 700 bar/10 000 psi. Les coupleurs doivent être polarisés conformément à l'illustration 5 pour que la clé fonctionne correctement. Vérifier que les coupleurs soient parfaitement ajustés et serrés avant utilisation. Un ajustement partiel des coupleurs empêchera le bon fonctionnement de la clé.



ATTENTION: Pour l'utilisation de pompes à collecteur multi-clé, vérifier que des bouchons de protection soient installés sur tous les coupleurs non utilisés avant de démarrer la pompe.

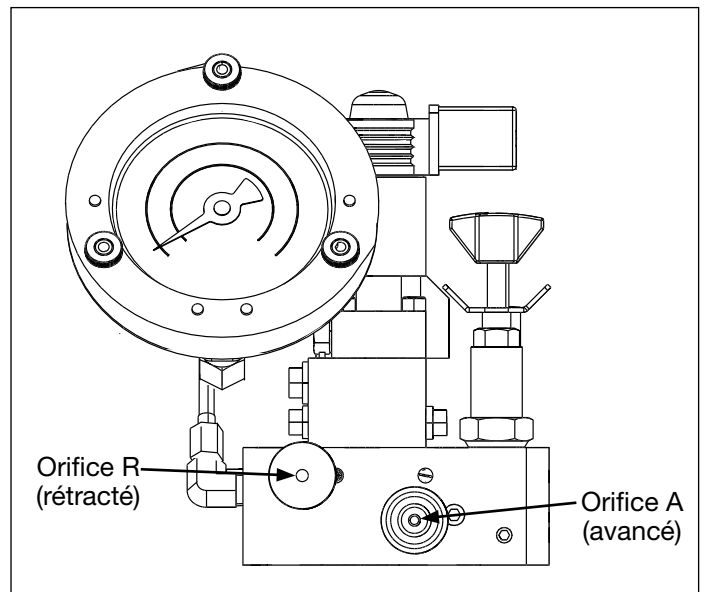


Illustration 4, Raccordements de la valve

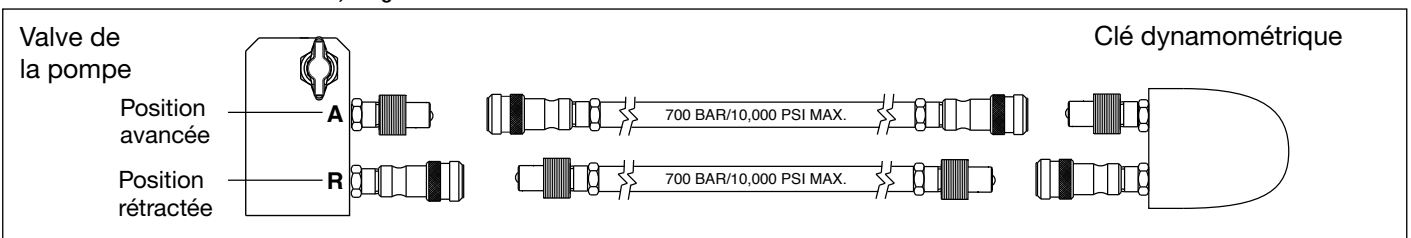


Illustration 5, Détails des flexibles (vue de dessus)

5.0 FONCTIONNEMENT

5.1 Avant de démarrer la pompe

1. Installer le reniflard et vérifier le niveau d'huile comme indiqué aux sections 4.1 et 4.2.
2. Le cas échéant, installer le disque de lecture de couple sur le cadran du manomètre comme indiqué à la section 5.5.
3. Régler la pression (ou le couple) comme indiqué à la section 5.6.
4. Raccorder les flexibles hydrauliques comme indiqué à la section 4.4.

5.2 Boîtier de commande

Voir Illustration 6.

Bouton ON/ADV du boîtier de commande :

Bouton enfoncé -

- Le moteur démarre.
- La clé AVANCE tant que le bouton est enfoncé.

Bouton relâché -

- La clé SE RÉTRACTE.
- Le moteur continue à tourner pendant 20 secondes.

Bouton OFF du boîtier de commande :

- Le moteur s'arrête immédiatement quand ce bouton est enfoncé. (pas de délai).

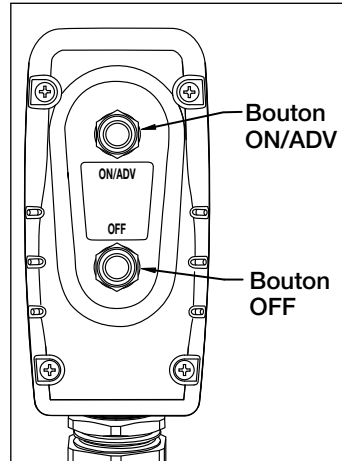


Illustration 6, Boutons du boîtier de commande

5.3 Fonctionnement de la pompe

IMPORTANT : Dans la mesure du possible, la clé dynamométrique et la pompe doivent être utilisées par un seul opérateur. Cela évite l'activation accidentelle de la pompe pendant que l'opérateur positionne la clé.



ATTENTION: Au cours de l'étape qui suit, le moteur de la pompe va démarrer, la valve va se déplacer automatiquement et la clé dynamométrique va se rétracter. Vérifier que la clé dynamométrique est bien positionnée pour éviter toute blessure ou toute dégradation de l'équipement avant de démarrer le moteur.

1. Pour démarrer la pompe, appuyer sur le bouton ON/ADV sur le boîtier de commande. Voir Illustration 6. Le moteur démarre automatiquement et la clé commence un cycle d'avance, et ce tant que le bouton est enfoncé. Le manomètre indique la pression dans le circuit en position avancée.
2. Relâcher le bouton ON/ADV pour rétracter la clé. Lorsque le bouton est relâché, la jauge indique la pression dans le circuit en position rétractée (by-pass de l'orifice R), qui est d'environ 2800 psi [173 -193 bar].
3. Appuyer sur le bouton OFF pour arrêter la pompe.

Note : Si le bouton ON/ADV n'est pas enfoncé pendant 20 secondes consécutives, le minuteur intégré à la pompe arrête automatiquement le moteur.

Note : Lorsque la clé est raccordée à la pompe pour la première fois, de l'air pénètre dans le circuit hydraulique. Retirer l'air en plaçant la clé et les flexibles tendus sous la pompe. Faire fonctionner la clé sans charge si nécessaire, jusqu'à ce qu'elle avance et se rétracte franchement.

5.4 Évacuation de la pression

Pour réduire la pression hydraulique sur la clé et les flexibles :

- Appuyer sur le bouton OFF et le maintenir enfoncé Voir Illustration 7.
- Tout en maintenant le bouton OFF enfoncé, appuyer sur le bouton ON/ADV et le relâcher trois fois ou plus, jusqu'à ce que le manomètre indique zéro (0) bar. Les flexibles peuvent maintenant être retirés.

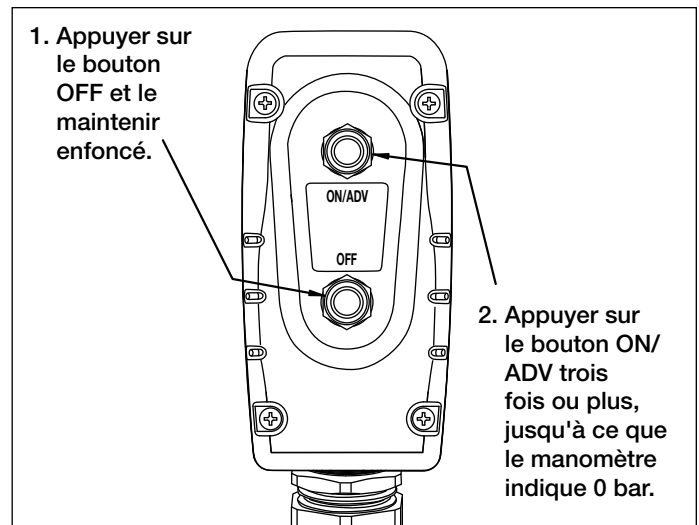


Figure 7, Relieving Pressure (using pendant buttons)

Si la pression ne peut pas être évacuée à l'aide des boutons du boîtier de commande, appuyer fermement sur le bouton de commande manuel situé sur la partie supérieure de la valve. Cela permet de déplacer manuellement le tiroir cylindrique de la valve et ainsi de libérer la pression.

IMPORTANT : Le bouton de commande manuel doit être utilisé occasionnellement, par exemple en cas de coupure d'électricité.

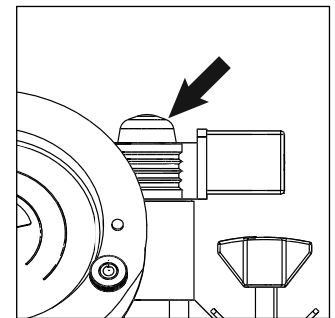


Figure 8, Bouton de commande manuel (sur la valve)

5.5 Cadran indiquant le couple superposable à la jauge de pression

Pour plus de commodité, les disques interchangeables indiquant le couple adaptés aux modèles de clés dynamométriques Enerpac sont fournis avec la pompe.

Un disque interchangeable se place sur le cadran du manomètre et permet une lecture directe du couple en fonction de la pression. Le cadran superposable affiche des unités impériales (ft/lbs.) d'un côté et des unités métriques (Nm) de l'autre. Pour modifier l'unité de mesure, il suffit de retourner le disque interchangeable.



ATTENTION : Chaque disque interchangeable est adapté à UN SEUL modèle de clé dynamométrique Enerpac. Ne pas utiliser avec d'autres modèles de clé.

Installer un écran superposable comme indiqué dans les étapes suivantes. Voir Illustration 9.

1. Retirer la vis à serrage à main supérieure qui fixe l'écran de la jauge. Desserrer les deux vis à serrage à main inférieures sans les retirer.
2. Positionner le disque sur le support de bride en alignant l'écran avec les trous du support.

IMPORTANT : Toujours vérifier que le disque interchangeable installé correspond au modèle de clé dynamométrique Enerpac utilisé.

3. Lorsque le disque est en place, serrer les deux vis à serrage à main inférieures. Remettre la vis à serrage à main supérieure en place et la serrer.
4. Consulter les instructions concernant la clé dynamométrique pour connaître la pression hydraulique requise pour produire le couple de serrage souhaité. La pression maximale varie en fonction des modèles de clés et de leurs accessoires.

IMPORTANT : Consulter les instructions concernant la clé dynamométrique pour connaître la procédure d'utilisation et les caractéristiques de la clé.

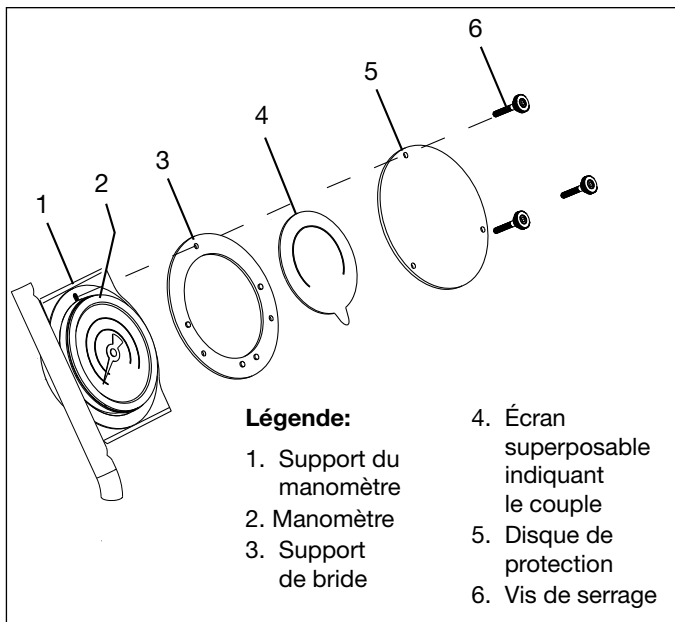


Illustration 9, Recouvrement de mesure

5.6 Réglage de la pression (ou du couple)

Pour limiter la pression de la clé dynamométrique en position avancée, ajuster le réglage de pression comme indiqué lors de la procédure suivante. Voir Illustration 10.

ATTENTION: Régler la pression de la pompe AVANT de placer la clé dynamométrique sur une tête d'écrou ou de boulon. La pression de la pompe ne doit pas être supérieure à la pression requise pour produire le couple de serrage requis pour votre application. Dépasser le couple requis causera des dommages à l'équipement et pourrait entraîner des blessures graves.

- Déconnecter les flexibles des orifices A et R du collecteur de la valve. Installer des bouchons de protection en métal sur les raccords.
- Desserrer l'écrou de blocage du limiteur de pression.
- Faire tourner la poignée de réglage dans le sens inverse à celui des aiguilles d'une montre pour empêcher une montée de pression accidentelle.
- Appuyer sur le bouton ON/ADV du boîtier de commande et le maintenir enfoncé. Le moteur démarre et la pression commence à augmenter dans l'orifice A du circuit d'avance.
- Tout en maintenant le bouton ON/ADV du boîtier de commande enfoncé, faire tourner DOUCEMENT la poignée de réglage dans le sens des aiguilles d'une montre pour augmenter la pression ou dans l'autre sens pour réduire la pression.

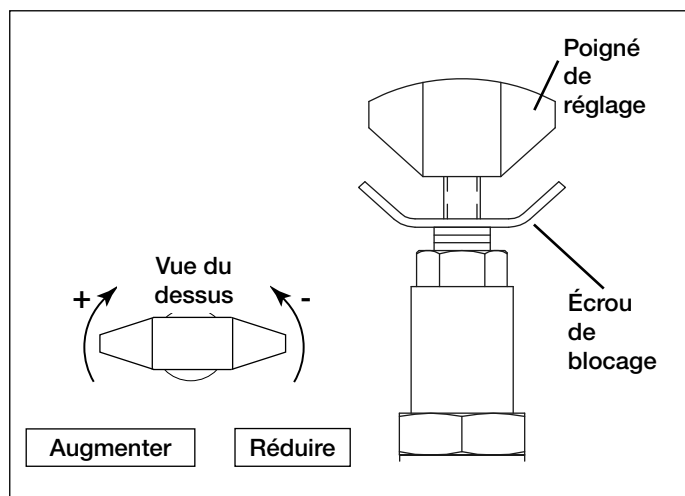


Illustration 10, Réglage de la pression

- Relâcher le bouton ON/ADV du boîtier de commande pour permettre à la pression du système de revenir au réglage orifice R rétracté. Le moteur continue à fonctionner.
- Appuyer à nouveau sur le bouton ON/ADV du boîtier de commande et le maintenir enfoncé pour vérifier à nouveau le réglage de la pression du circuit d'avance. Vérifier que le manomètre indique la pression souhaitée.
- Une fois que la pression souhaitée est obtenue, serrer l'écrou de blocage du limiteur de pression.

5.7 Disjoncteur

Un disjoncteur à bouton-poussoir est situé sur le cadre de protection électrique de la pompe.

Voir Illustration 11. En cas de surcharge électrique, le disjoncteur s'active.

Après avoir déterminé la cause de la surcharge et y avoir remédié, appuyer sur le bouton du disjoncteur pour redémarrer.

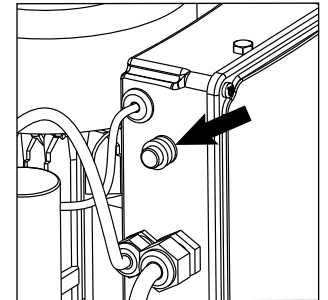


Illustration 11, Disjoncteur

6.0 MAINTENANCE

Vérifier régulièrement que les composants du système ne comportent pas de fuite et sont en bon état. Réparer ou remplacer les composants abîmés. Les composants électriques (le cordon d'alimentation, par exemple) ne peuvent être réparés ou remplacés que par un électricien qualifié, conformément aux règlements locaux et nationaux en vigueur.



ATTENTION : Débrancher la pompe avant d'effectuer toute tâche de maintenance ou de réparation.

6.1 Changer l'huile et nettoyer le réservoir

L'huile Enerpac HF est bleu foncé. Vérifier régulièrement que l'huile n'est pas contaminée en comparant l'huile de la pompe à de l'huile Enerpac neuve. En règle générale, vider complètement le réservoir et le nettoyer toutes les 250 heures ou plus fréquemment si la pompe est utilisée dans un environnement sale.

Note : Cette procédure nécessite de retirer la pompe du réservoir. Travailler sur un plan de travail propre et jeter l'huile conformément aux règlements locaux.

Changer l'huile et nettoyer le réservoir comme indiqué dans les étapes suivantes. Consulter la fiche descriptive des pièces de la pompe pour identifier les pièces et connaître les instructions de démontage/montage.

- Débrancher le cordon d'alimentation de la pompe de la prise électrique.
- Retirer le bouchon de vidange et transférer toute l'huile du réservoir dans un récipient adapté. Nettoyer et remettre le bouchon de vidange.
- Retirer les panneaux latéraux gauche et droit de la cage de roulement.
- Séparer le tubage de la jauge.

Note : De l'huile peut s'écouler des flexibles au cours de la prochaine étape. Placer un récipient approprié sous l'extrémité des flexibles pour récupérer l'huile.

- Desserrer les brides des flexibles du refroidisseur d'huile au niveau du réservoir. Retirer doucement les flexibles des raccords cannelés.
- Débrancher le câble du ventilateur. Débrancher le fil de terre (vert) de la vis de terre du ventilateur.
- Retirer les écrous qui fixent le réservoir à la cage de roulement. Retirer la pompe de la cage de roulement.
- Dérouler le cordon d'alimentation de la pompe et le câble du boîtier de commande du support de rangement des cordons.
- Retirer les deux écrous qui fixent le support de rangement des cordons au couvercle de la pompe. Retirer le support, les rondelles d'étanchéité et les rondelles en cuivre.

10. Retirer les écrous et les rondelles en cuivre restants au niveau de la partie extérieure du haut de la pompe.
11. Soulever délicatement la pompe pour la retirer du réservoir.
12. Essuyer les parties intérieures du réservoir. Nettoyer soigneusement le réservoir avec un nettoyant adapté.



ATTENTION : Suivre les instructions du fabricant pour l'utilisation de nettoyants et de solvants. Porter des protections appropriées pour les mains et les yeux.

13. Retirer les cinq vis d'assemblages à six pans creux Allen qui fixent la grille d'entrée à la pompe à engrenages de 1ère phase. Veiller à ne pas retirer le plateau central et les engrenages.

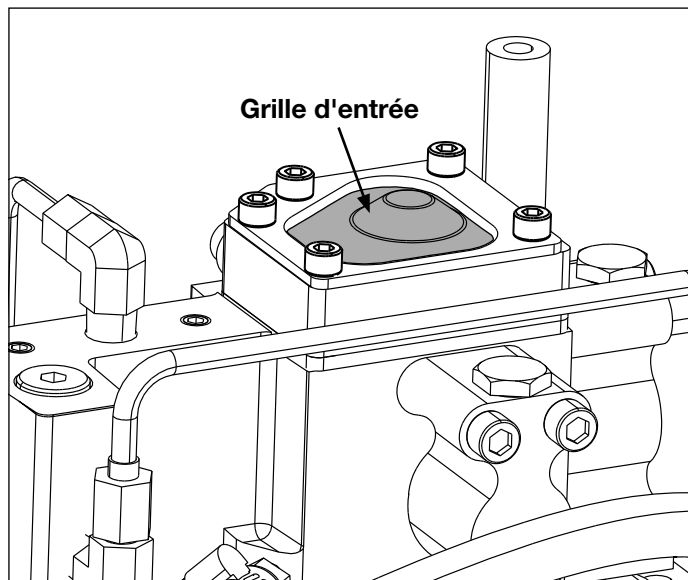


Illustration 12, Grille d'entrée

(Note : vue de la pompe retirée du réservoir et positionnée à l'envers)

14. Retirer la grille d'entrée et la nettoyer avec un solvant non inflammable. Sécher la grille d'entrée.



ATTENTION: Porter des protections appropriées pour les yeux lors de l'utilisation d'air comprimé. Ne pas excéder 30 psi pour le nettoyage.

15. Repositionner la grille d'entrée. Serrer les cinq vis d'assemblages à six pans creux Allen à 8,5 Nm.
16. Installer un nouveau joint d'étanchéité pour le réservoir.
17. Réassembler la pompe et le réservoir en effectuant les étapes 1 à 11 dans l'ordre inverse.

Note : Pendant le réassemblage, serrer les pièces de fixation selon les couples de serrage suivants :

- Écrous de fixation de la partie supérieure du réservoir : Appliquer de la Loctite 243 sur les filetages et serrer à 5,6-6,7 Nm.
 - Écrous de la cage de roulement : Appliquer de la Loctite 243 sur les filetages et serrer à 13,5-15,8 Nm.
 - Écrous des panneaux latéraux Appliquer de la Loctite 243 sur les filetages et serrer à 6,7-8,1 Nm.
18. Remplir le réservoir avec le l'huile hydraulique HF Enerpac propre (ISO Grade 32) Le réservoir est plein lorsque le niveau d'huile correspond à l'illustration 2.

7.0 DÉPANNAGE

(Voir Guide de dépannage)

uls les techniciens hydrauliques qualifiés doivent procéder à l'entretien de la pompe ou des composants système. Une panne du système peut ou non provenir d'un dysfonctionnement de la pompe. Pour déterminer la cause d'un problème, le système entier dans être inclus dans la procédure de diagnostic.

Les informations du guide de dépannage sont conçues uniquement pour vous aider à déterminer s'il existe un problème. Pour la réparation, contacter votre service après-vente agréé Enerpac.

Guide de dépannage		
Problème	Cause possible	Solution
PLa pompe ne démarre pas quand le bouton ON/ADV est enfoncé.	Pas de courant.	Brancher sur le courant.
	Cordon d'alimentation endommagé.	Vérifier que le cordon d'alimentation n'est pas endommagé.
	Disjoncteur enclenché.	Appuyer sur le disjoncteur pour redémarrer.
	Faible tension.	Éteindre les autres charges électriques. Utiliser une rallonge plus épaisse.
	Boîtier de commande endommagé.	Réparer le boîtier de commande. Contacter un service après-vente agréé.
Le moteur s'arrête en charge.	Faible tension.	Appuyer sur le disjoncteur pour redémarrer (s'il est activé). Éteindre les autres charges électriques. Utiliser une rallonge plus épaisse.
	Huile froide.	Appuyer sur le disjoncteur pour redémarrer (s'il est activé). Faire fonctionner la pompe à 140 bar pendant 5 minutes pour chauffer l'huile avant d'utiliser la pompe. Utiliser de l'huile Enerpac LX (ISO Grade 15) pour les climats froids.

(suite sur la page suivante)

Guide de dépannage (suite)

Problème	Cause possible	Solution
Fonctionnement bruyant.	Présence d'air dans le système.	Évacuer l'air du système.
	Reniflard non installé.	Retirer le bouchon d'expédition et installer le reniflard conformément à la Section 4.1.
	Faible niveau d'huile.	Vérifier que le réservoir contient un niveau d'huile normal. Ajouter de l'huile conformément à la Section 4.2.
	Fuite d'air.	Vérifier tous les endroits où l'air pourrait pénétrer dans le système. Serrer les raccords et/ou faire les réparations nécessaires.
	Grille d'entrée obstruée.	Nettoyer la grille d'entrée.
La valve électrique ne fonctionne pas.	Pas de courant ou mauvaise tension.	Brancher sur une source d'alimentation appropriée conformément à la plaque signalétique de la pompe.
	Câble électrique débranché ou endommagé.	Brancher, réparer ou remplacer le câble.
	Bobine de solénoïde à l'arrêt.	Contacteur un service après-vente agréé.
La pompe fonctionne mais ne pompe pas d'huile. ou La pompe n'atteint pas une pression maximale.	La pompe n'est pas amorcée.	Faire fonctionner la pompe pendant quelques minutes en l'inclinant doucement d'un côté puis de l'autre.
	Reniflard non installé.	Retirer le bouchon d'expédition et installer le reniflard conformément à la Section 4.1.
	Faible niveau d'huile.	Ajouter de l'huile conformément à la Section 4.2.
	Pression de la valve de décharge trop basse.	Régler conformément à la Section 5.6.
	Fuite du système externe.	Inspecter et réparer ou remplacer les pièces nécessaires.
	Grille d'entrée obstruée.	Nettoyer la grille d'entrée.
	Fuite interne dans la pompe.	Contacter un service après-vente agréé.
	Fuite interne dans la valve.	
Fuite interne dans la valve.		
La pompe atteint une pression maximale, mais la clé dynamométrique n'avance pas.	Le couple est supérieur à la capacité de la clé à pression maximale.	Utiliser une clé dynamométrique ayant une plus grande capacité.
	La trajectoire de la clé est limitée ou bloquée.	Vérifier que les coupleurs sont parfaitement ajustés conformément à la Section 4.4.
La clé dynamométrique ne se rétracte pas.	Trajectoire de retour de la clé limitée ou bloquée.	Vérifier que les coupleurs sont parfaitement ajustés conformément à la Section 4.4.
	Dysfonctionnement de la valve.	Contacteur un service après-vente agréé.
Le manomètre n'indique pas zéro (0) bar lorsque le moteur de la pompe est à l'arrêt.	La pression n'est pas évacuée.	Évacuer la pression conformément à la Section 5.4.
	La jauge de pression est mal réglée.	Faire régler la jauge de pression par un établissement d'étalonnage agréé.
La pompe surchauffe.	Trajectoire de sortie ou de rétractation limitée.	Vérifier que les coupleurs sont parfaitement ajustés conformément à la Section 4.4.
	Faible niveau d'huile	Ajouter de l'huile conformément à la Section 4.2.
	Le ventilateur ne fonctionne pas.	Vérifier que le ventilateur fonctionne correctement.
	L'échangeur de chaleur du refroidisseur d'huile est couvert de poussière ou obstrué.	Retirer la poussière des lamelles du refroidisseur d'huile et du ventilateur. Vérifier que la colonne du refroidisseur d'huile n'est pas obstruée.

L3060 Rev. B 08/12

Das Ersatzteilblatt für dieses Produkt finden Sie auf der Enerpac Website www.enerpac.com, oder bei Ihrem nächstgelegenen autorisierten Enerpac Service Center oder einem Enerpac Vertriebsbüro.

1.0 WICHTIGE VERFAHRENSHINWEISE FÜR DEN EMPFANG:

Alle Komponenten auf sichtbare Transportschäden inspizieren. Transportschäden sind nicht von der Garantie gedeckt. Werden solche Schäden festgestellt, ist unverzüglich das Transportunternehmen zu verständigen. Das Transportunternehmen ist für alle Reparatur- und Ersatzkosten, die auf Transportschäden zurückzuführen sind, verantwortlich.

SICHERHEIT GEHT VOR

2.0 SICHERHEITSFragen



Alle Anleitungen, Warnungen und Vorsichtshinweise sorgfältig durchlesen. Beachten Sie alle Sicherheitsvorkehrungen, um Verletzungen oder

Sachschäden während des Systembetriebs zu vermeiden. Enerpac ist weder für Schäden noch Verletzungen haftbar, die durch einen fahrlässigen Gebrauch des Produkts, mangelhafte Instandhaltung oder eine unvorschriftsmäßige Anwendung des Produkts und/oder des Systems verursacht werden. Bei evtl. Fragen in bezug auf Sicherheitsvorkehrungen und Betriebsabläufe wenden Sie sich bitte an ENERPAC. Wenn Sie an keinerlei Sicherheitsschulungen im Zusammenhang mit Hochdruck-hydraulikanlagen teilgenommen haben, fordern Sie von Ihrer Vertriebs- und Kundendienstzentrale einen kostenlosen Enerpac-Hydraulik-Sicherheitskurs an.

Ein Mißachten der folgenden Vorsichtshinweise und Warnungen kann zu Geräteschäden und Verletzungen führen.

Mit einem **VORSICHTSHINWEIS** wird auf ordnungsgemäße Betriebs- oder Wartungsverfahren und -praktiken hingewiesen, um Schäden an den Geräten oder anderen Sachwerten bzw. deren Zerstörung zu vermeiden.

Eine **WARNUNG** verweist auf eine potentielle Verletzungsgefahr, die durch ordnungsgemäße Verfahren oder Praktiken vermieden werden kann.

Ein **GEFAHRENSHINWEIS** wird nur dann gegeben, wenn eine bestimmte Handlung oder die Unterlassung einer bestimmten Handlung schwere oder tödliche Verletzungen zur Folge haben kann.



WARNUNG: Beim Betrieb hydraulischer Anlagen geeignete Schutzkleidung und -ausrüstung tragen.



WARNUNG: Von Lasten fernhalten, die durch ein Hydrauliksystem abgestützt werden. Ein als Lastenhebergerät eingesetzter Zylinder darf niemals als ein Lastenhaltergerät verwendet werden. Nach Heben oder Senken der Last muß diese stets auf mechanische Weise gesichert werden.



WARNUNG ZUM SICHERN VON LASTEN STETS NUR STARRE TEILE VERWENDEN. Zum Abstützen von Lasten sorgfältig dazu geeignete Stahl- oder Holzblöcke auswählen. Bei Hebe- oder Drückenwendungen keinesfalls einen Hydraulikzylinder als Abstandsstück oder -halter verwenden.



GEFAHR: Zur Vermeidung von Verletzungen während des Betriebs Hände und Füße von Zylinder und Werkstück fernhalten.



WARNUNG: Der Systembetriebsdruck darf den zulässigen Nominaldruck der Systemkomponente mit der niedrigsten Nennleistung nicht überschreiten. Zur Überwachung des Betriebsdrucks sind Manometer im System zu installieren. Dies ist das Fenster zu den Abläufen im System.



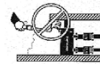
VORSICHT: Beschädigungen am Hydraulikschlauch vermeiden. Beim Verlegen der Hydraulikschläuche enge Bögen und Abknicken vermeiden. Der Einsatz eines gebogenen oder geknickten Schlauchs führt zu einem hohen Rückstau. Starke Biegungen und Knickstellen schädigen den Schlauch auf der Innenseite und führen zu dessen vorzeitigem Ausfall.



Keine schweren Gegenstände auf den Schlauch fallen lassen. Starke Erschütterungen können Schäden an den im Schlauchinnern verlaufenden Drahtlitzen verursachen. Ein Schlauch, auf den Druck ausgeübt wird, kann bersten.



WICHTIG: Hydraulische Geräte weder an den Schläuchen noch den Gelenkanschlüssen anheben. Dazu den Tragegriff oder eine andere sichere Transportmethode verwenden.



VORSICHT: Hydraulische Geräte von Flammen und Hitzequellen fernhalten. Zu hohe Temperaturen weichen Füllungen und Dichtungen auf und bewirken Flüssigkeitslecks. Große Hitze schwächt außerdem die Schlauchmaterialien und -dichtungen. Zur Gewährleistung einer optimalen Leistung darf die Anlage keinen Temperaturen über 65°C ausgesetzt werden. Außerdem müssen Schläuche und Zylinder beim Schweißen vor Funkenschlag geschützt werden.



GEFAHR: Do not handle pressurized hoses. Escaping oil under Nicht mit unter Druck stehenden Schläuchen hantieren. Unter Druck austretendes Öl kann in die Haut eindringen und schwere Verletzungen verursachen. Falls Öl unter die Haut gelangt, ist sofort ein Arzt aufzusuchen.



WARNUNG: Verwenden Sie hydraulische Drehmomentschlüssel nur bei einem gekuppelten System. Verwenden Sie einen Drehmomentschlüssel nie mit nicht verbundenen Kupplungen. Wenn der Drehmomentschlüssel extrem überlastet wird, können Komponenten katastrophal ausfallen und zu Verletzungen führen.



WICHTIG: Hydraulische Geräte müssen von einem qualifizierten Hydrauliktechniker gewartet werden. Bei Reparaturarbeiten an die autorisierte ENERPAC-Kundendienstzentrale der jeweiligen Region wenden. Zur Aufrechterhaltung der Garantie nur ENERPAC-Öl verwenden.



WARNUNG: Abgenutzte oder beschädigte Teile unverzüglich durch ENERPAC-Originalteile ersetzen. Standardteile anderer Hersteller versagen und verursachen Verletzungen und Sachschäden. ENERPAC-Teile werden so konstruiert, daß sie richtig passen und hohen Lasten standhalten.



WARNUNG: Betreiben Sie elektrische Pumpen nicht in explosionsgefährdeter Umgebung. Halten Sie alle

lokalen und nationalen Elektrovorschriften ein. Die Installation und Konfiguration muss durch einen qualifizierten Elektriker erfolgen.



WARNUNG: Halten Sie die Hände fern von beweglichen Teilen und druckbelasteten Schläuchen.



WARNUNG: Die Pumpen besitzen im Werk voreingestellte Überdruckventile, die nur durch eine zugelassene Vertragswerkstatt von Enerpac repariert oder eingestellt werden dürfen.



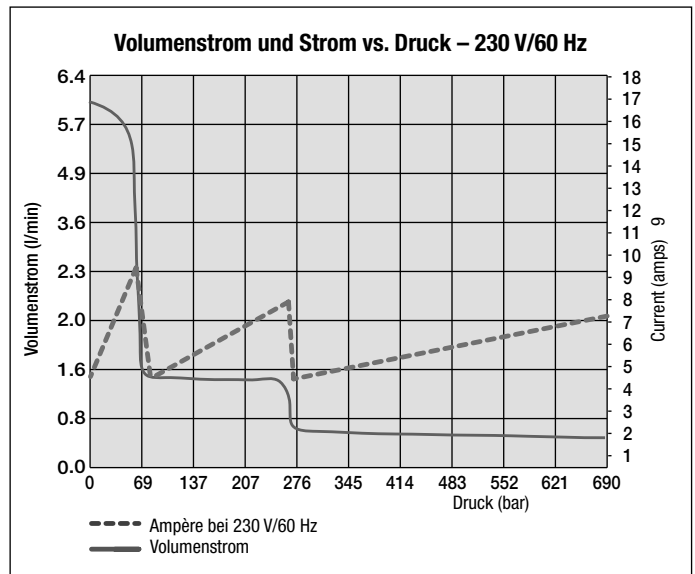
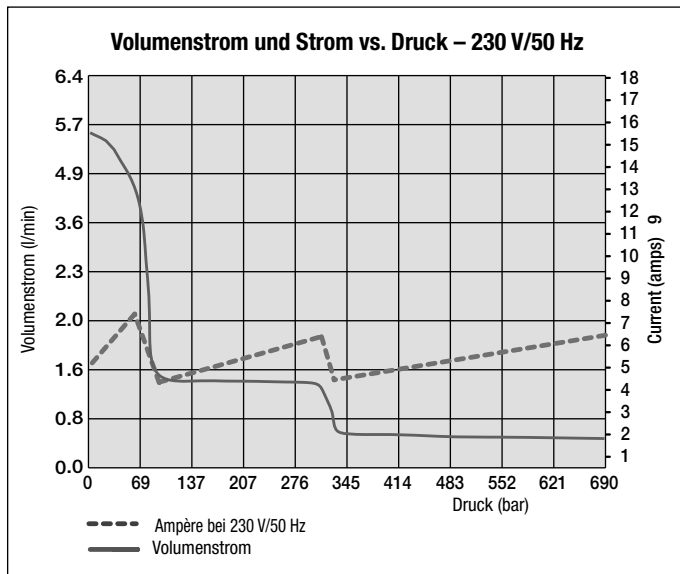
VORSICHT: Prüfen Sie die Angaben und Daten auf der Motorenplatte, um Beschädigungen am Elektromotor der Pumpe zu vermeiden. Die Verwendung der falschen Stromversorgung führt zur Beschädigung des Motors.

3.0 PRODUKTDATEN

3.1 Technische Daten

Modell	Motorgröße	Maximaler Betriebsdruck	Elektrische Daten des Motors	Fördervolumen			Geräuschpegel	Einstellbereich des Überdruckventils	Ungefähres Gewicht ohne Öl
	HP [kW]	psi [bar]	Volt-Phase-Hz	1. Stufe	2. Stufe	3. Stufe	dBA	psi [bar]	lbs. [kg]
T Q - 700E	1.0 [0,75]	10,000 [700]	230-1-50	320 in ³ [5,25 l/min] bei 100 psi [6,9 bar]	82 in ³ [1,34 l/min] bei 4,300 psi [296 bar]	30 in ³ [0,49 l/min] bei 10,000 psi [700 bar]	82-85	1,400-10,000 [140-700]	66 [30]
TQ-700I	1.0 [0,75]	10,000 [700]	230-1-60	380 in ³ [6,23 l/min] bei 100 psi [6,9 bar]	98 in ³ [1,61 l/min] bei 4,300 psi [296 bar]	38 in ³ [0,63 l/min] bei 10,000 psi [700 bar]	75-79	1,400-10,000 [140-700]	66 [30]

3.2 Leistungstabellen



Hinweis: Der tatsächliche Stromverbrauch unterscheidet sich je nach Anwendung.

4.0 EINBAU

Positionieren Sie die Pumpe so, dass die Luftströmung um den Motor und die Pumpe nicht behindert wird. Halten Sie den Motor sauber, um maximale Kühlung während des Betriebs sicherzustellen.

4.1 Behälterentlüfter

Siehe Abb. 1. Eine Transportsicherung (A) ist am Entlüfteranschluss oben auf dem Behälter angebracht. Ersetzen Sie vor der Verwendung der Pumpe die Transportsicherung (A) durch den Behälterentlüfter (B) und die Adapterverschraubung (C).

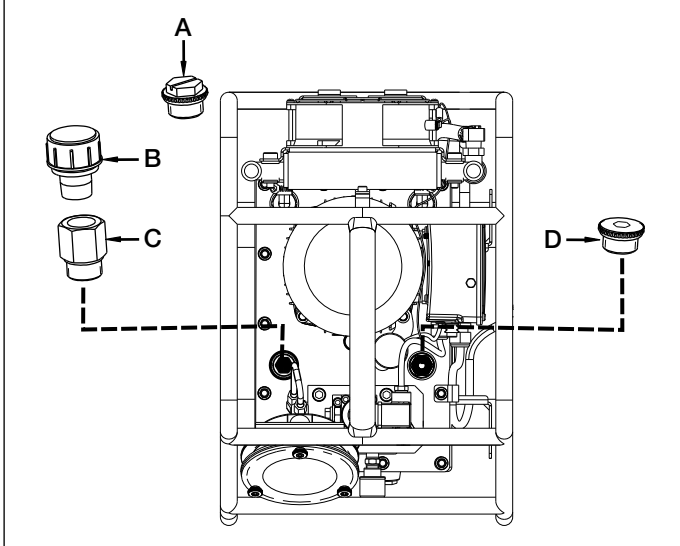


Abb. 1, Behälterentlüfter und Ölfüllstopfen

4.2 Ölstand

Prüfen Sie den Ölstand der Pumpe vor dem Starten. Der Behälter ist voll, wenn der Ölstand bis zur oberen Linie des Sichtglases geht, wie in Abb. 2 dargestellt. Fügen Sie, falls nötig, Öl hinzu, indem Sie den Ölfüllstopfen (D) aus dem Füllrohr entfernen, wie in Abb. 1 dargestellt. Verwenden Sie Enerpac HF-Öl (ISO Güteklasse 32).

WICHTIG: Fügen Sie nur Öl hinzu, wenn alle Systemkomponenten vollständig zurückgefahren sind, oder das System enthält mehr Öl als der Behälter fassen kann. Der Ölstand kann über der obersten Linie des Sichtglases sein, sollte aber mindestens 2,5 cm [1 inch] unter der Unterseite der Pumpenabdeckplatte bleiben.

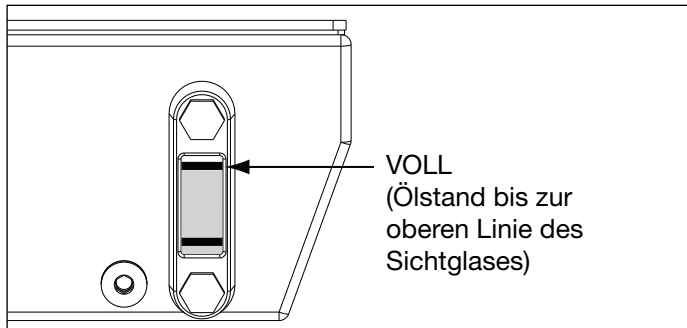


Abb 2, Ölsichtglas

4.3 Elektrische Anschlüsse



WARNUNG: Die Pumpe ist werkseitig mit einem normalen Stecker für eine bestimmte Spannung ausgestattet. Eine Änderung des Steckertyps sollte nur durch einen qualifizierten Techniker unter Einhaltung aller geltenden regionalen und nationalen Vorschriften erfolgen.

1. Der Abschalt- und Leitungsschutz muss vom Kunden bereitgestellt werden. Der Leitungsschutz muss bei 115% des Volllaststroms des Motors bei maximalem Druck der Anwendung liegen.
2. Weitere Informationen siehe Nennleistung auf dem Typenschild der Pumpe und/oder des Motors. Siehe auch Abschnitt 3.2.

4.4 Hydraulische Anschlüsse

Gewindeanschlüsse, zum Beispiel Verschraubungen, müssen sicher festgezogen und leckfrei sein. Verwenden Sie 1 1/2 Wicklungen Teflonband (oder eine geeignete Dichtungsmasse) an allen Gewinden, wobei Sie die erste vollständige Windung frei von Band halten, um zu verhindern, dass Fremdkörper in den Hydraulikkreislauf gelangen. Schneiden Sie die losen Enden ab.

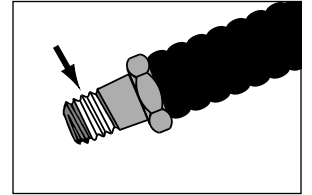


Abb. 3, Gewindedichtmittel

WICHTIG: UGehen Sie vorsichtig vor, um zu verhindern, dass Teile des Bandes in das Hydrauliksystem gelangen.

Schließen Sie die Schläuche wie in Abb. 4 und 5 dargestellt an.

Verwenden Sie Schläuche mit einem Nennbetriebsdruck von 700 bar/10.000 psi. Für den ordnungsgemäßen Schlüsseinsatz müssen Kupplungen wie in Abb. 5 polarisiert sein. Stellen Sie vor Inbetriebnahme sicher, dass die Kupplungen vollständig eingerastet und angezogen sind. Teilweises Einrasten der Kupplungen verhindert ordnungsgemäßen Schlüsseinsatz.



WARNUNG: Stellen Sie bei der Verwendung von Pumpen mit Verteilern mit mehreren Schlüsseln sicher, dass alle nicht verwendeten Kupplungen Schutzkappen haben, bevor Sie die Pumpe starten.

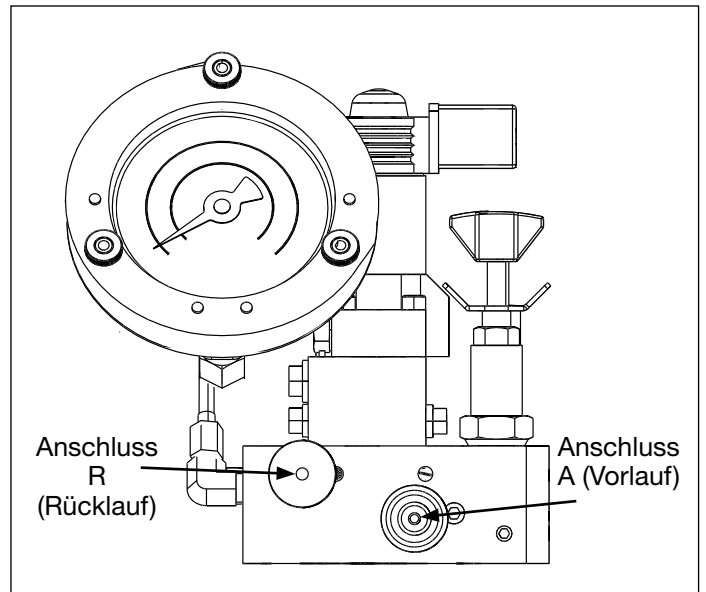


Abb. 4, Ventilanschlüsse

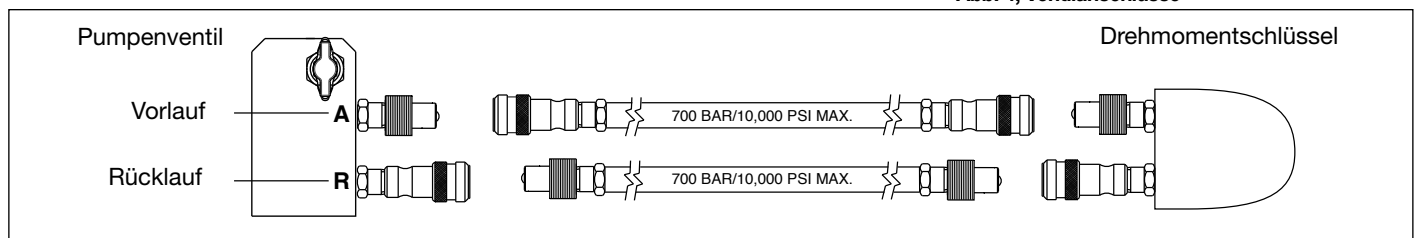


Abb. 5, Schlauchdetails (Ansicht von oben)

5.0 BETRIEB

5.1 Vor Betrieb der Pumpe

1. Bauen Sie den Behälterlüfter ein und prüfen Sie den Ölstand, wie in den Abschnitten 4.1 und 4.2 beschrieben.
2. Bauen Sie, falls verwendet, die Drehmomentauflage wie in Abschnitt 5.5 beschrieben ein.
3. Stellen Sie die Druck- (Drehmoment-) Einstellung wie in Abschnitt 5.6 beschrieben ein.
4. Schließen Sie die Hydraulikschläuche wie in Abschnitt 4.4 beschrieben an.

5.2 Bedienelemente an der Fernbedienung

Siehe Abb. 6

„ON/ADV“-Taste der Fernbedienung:

Tasten gedrückt –

- Motor startet.
- Schlüssel bewegt sich vorwärts, so lange die Taste gedrückt gehalten wird.

Tasten losgelassen –

- Schlüssel bewegt sich rückwärts.
- Motor läuft 20 Sekunden lang weiter.

„OFF“-Taste der Fernbedienung:

Motor stoppt sofort, wenn die Taste gedrückt wird. (keine Zeitverzögerung)

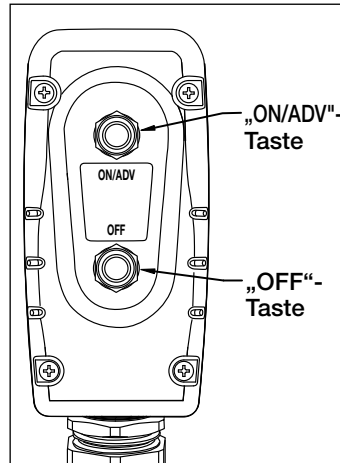


Abb. 6, Tasten der Fernbedienung

5.3 Pumpenbetrieb

WICHTIG: Wenn möglich, sollte ein einzelner Benutzer den Drehmomentschlüssel und die Pumpe betätigen. Dies kann eine versehentliche Aktivierung, während der Bediener den Schlüssel positioniert, verhindern.



WARNUNG: Im folgenden Schritt startet der Pumpenmotor und das Ventil verstellt sich automatisch und bewegt den Drehmomentschlüssel zurück. Überprüfen Sie vor dem Starten des Motors, ob der Drehmomentschlüssel so positioniert ist, dass Verletzungen oder Schäden am Gerät vermieden werden.

1. Um die Pumpe zu starten, drücken Sie die „ON/ADV“-Taste auf der Fernbedienung. Siehe Abb. 6. Der Motor startet automatisch und der Schlüssel läuft vorwärts. Der Schlüssel bewegt sich weiter vorwärts, solange die Taste gedrückt wird. Das Manometer zeigt den Druck im Vorlaufkreislauf an.
2. Lassen Sie die „ON/ADV“-Taste los, um den Schlüssel rückwärts zu bewegen. Wenn die Taste losgelassen wird, zeigt das Manometer den Druck im Rücklaufkreislauf (R-Anschlussumgehung), ungefähr 173 – 193 bar [2500 – 2800].
3. Drücken Sie die „OFF“-Taste, um die Pumpe zu stoppen.

Hinweis: Wenn die „ON/ADV“-Taste 20 Sekunden lang nicht gedrückt wird, schaltet der integrierte Timer der Pumpe den Motor automatisch aus.

Hinweis: Wenn der Schlüssel zuerst an die Pumpe angeschlossen wird, wird Luft im Hydraulikkreislauf gefangen. Entfernen Sie die Luft, indem Sie den Schlüssel und die begradierten Schläuche unter der Pumpe platzieren. Betreiben Sie den Schlüssel nötigenfalls ohne Last, bis er ohne Zögern vorwärts und rückwärts läuft.

5.4 Verringern des Drucks

So verringern Sie den hydraulischen Druck auf das Verschraubungsgerät und die Schläuche:

- Halten Sie die „OFF“-Taste gedrückt. Siehe Abb. 7.
- Halten Sie die „OFF“-Taste weiterhin gedrückt und drücken Sie die „ON/ADV“-Taste dreimal oder öfter, bis das Manometer null (0) bar/psi anzeigt. Die Schläuche können jetzt entfernt werden.

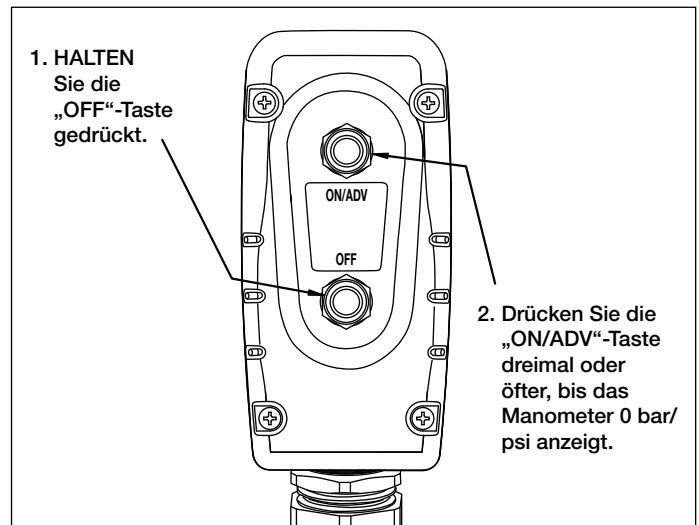


Abb. 7, Verringern des Drucks (mithilfe der Fernbedienungstasten)

Falls der Druck mithilfe der Fernbedienungstasten nicht verringert werden kann, drücken Sie die Taste für das manuelle Außerkräftsetzen oben an der Ventilbaugruppe fest. Dadurch wird die Ventilschraube manuell bewegt und der eingeschlossene Druck entfernt.

WICHTIG: Die Taste für das manuelle Außerkräftsetzen ist nur für den gelegentlichen Gebrauch gedacht, zum Beispiel während eines Stromausfalls.

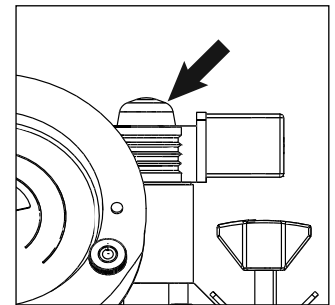


Abb. 8, Taste zum manuellen Außerkräftsetzen (am Ventil)

5.5 Manometer-Drehmomentauflage

Drehmomentauflagen für ausgewählte Enerpac-Drehmomentschlüsselmodelle werden mit der Pumpe mitgeliefert.

Eine Drehmomentauflage passt über die Skala des Druckmessgeräts und wandelt die Druckanzeigen problemlos in Drehmomentanzeigen um. Die Auflage hat englische Maßeinheiten (ft-lbs.) auf einer Seite und metrische Maßeinheiten (Nm) auf der anderen Seite. Um die Skalen zu wechseln, drehen Sie die Auflage einfach um.



WARNUNG: Jede Auflage ist NUR für einen bestimmten Enerpac-Drehmomentschlüssel ausgelegt. Verwenden Sie sie nicht mit anderen Schlüsseln.

bauen Sie eine Drehmomentauflage wie in den folgenden Schritten beschrieben ein. Siehe Abb. 9.

1. Entfernen Sie die obere Flügelschraube, mit der das Manometerschutzschild befestigt ist. Lösen Sie die unteren beiden Flügelschrauben, aber entfernen Sie sie nicht.
2. Legen Sie die gewünschte Auflage auf die Flanschhalterung und richten Sie die Auflage dabei mit den Vertiefungen an der Halterung aus.

IMPORTANT: Always verify that the correct overlay is installed for the Enerpac torque wrench being used.

3. Wenn die Auflage angebracht ist, ziehen Sie die unteren beiden Flügelschrauben an. Bauen Sie die obere Flügelschraube wieder ein und ziehen Sie sie fest.
4. In der Anleitung zum Drehmomentschlüssel finden Sie den hydraulischen Druck, der erforderlich ist, um das gewünschte Drehmoment zu produzieren. Beachten Sie, dass der maximale Druck sich für verschiedene Schlüssel und Zubehörteile unterscheidet.

WICHTIG: Sehen Sie wegen der Bedienungsverfahren des Schlüssels in der Anleitung und den technischen Daten zum Drehmomentschlüssel nach.

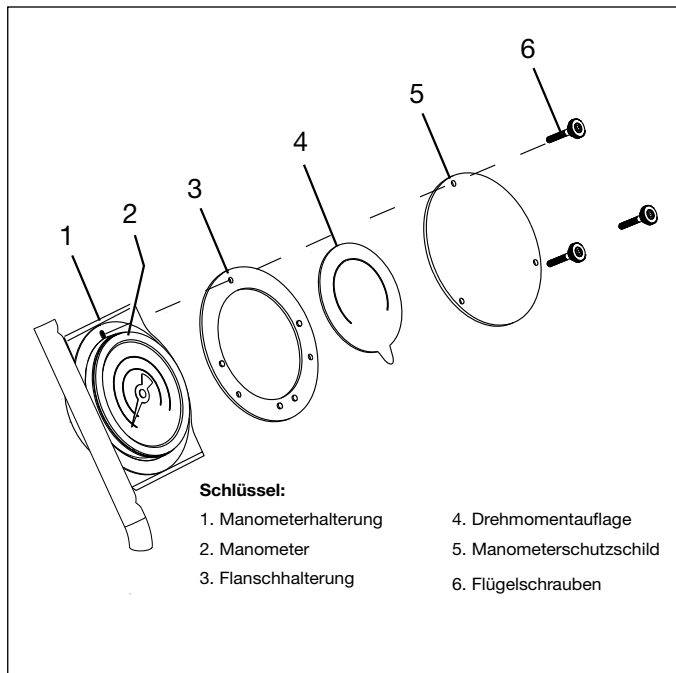


Abb. 9. Manometerauflage

5.6 Druck- (Drehmoment-) Einstellung

um den Vorlaufdruck auf den Drehmomentschlüssel zu begrenzen, stellen Sie die Druckeinstellung wie im Folgenden beschrieben ein. Siehe Abb. 10.



WARNUNG: Stellen Sie die Druckeinstellung der Pumpe ein, BEVOR Sie den Drehmomentschlüssel an einer Mutter oder einem Schraubenkopf ansetzen. Die Pumpendruckeinstellung darf nicht

über dem Druck liegen, der nötig ist, um das erforderliche Drehmoment für Ihre Anwendung zu liefern. Das Überschreiten des erforderlichen Drehmoments verursacht Schäden am Gerät und kann zu schweren Verletzungen führen.

1. Trennen Sie die Schläuche von den Ventilverteileranschlüssen „A“ und „R“. Bauen Sie Metallschutzkappen über den Verschraubungen ein.
2. Lösen Sie die Feststimmutter des Überdruckventils.
3. Drehen Sie den Einstellknopf bei Bedarf entgegen dem Uhrzeigersinn, um einen unbeabsichtigten Druckaufbau zu verhindern.
4. Halten Sie die „ON/ADV“-Taste an der Fernbedienung gedrückt. Der Motor startet und Druck wird am A-Anschluss des Vorlaufkreislaufes aufgebaut.
5. Halten Sie die „ON/ADV“-Taste an der Fernbedienung weiter gedrückt und drehen Sie dabei LANGSAM den Einstellknopf im Uhrzeigersinn, um die Druckeinstellung zu erhöhen, oder entgegen dem Uhrzeigersinn, um die Druckeinstellung zu verringern.

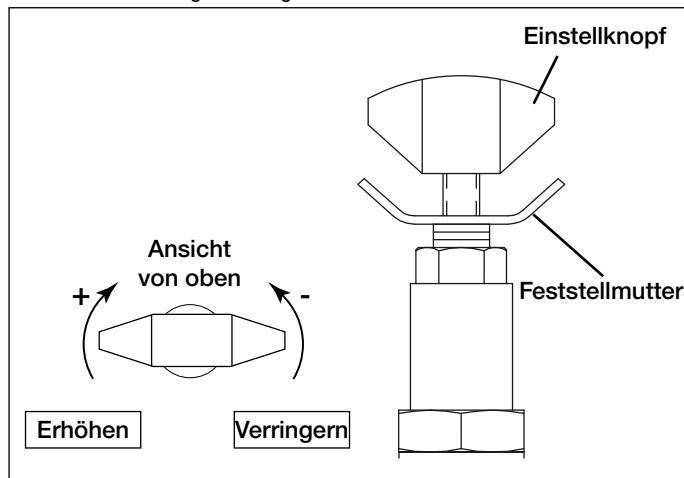


Abb. 10, Druckeinstellung

6. Lassen Sie die „ON/ADV“-Taste an der Fernbedienung los, damit der Systemdruck zur RücklaufEinstellung des R-Anschlusses zurückkehren kann. Der Motor läuft weiter.
7. Halten Sie die „ON/ADV“-Taste an der Fernbedienung erneut gedrückt, um die Druckeinstellung im Vorlaufkreislauf erneut zu prüfen. Überprüfen Sie, ob der gewünschte Druck auf dem Manometer angezeigt wird.
8. Nachdem die gewünschte Druckeinstellung erreicht ist, ziehen Sie die Feststimmutter des Überdruckventils an.

5.7 Lasttrennschalter

Am elektrischen Gehäuse des Pumpe ist ein Lasttrennschalter angebracht.

Siehe Abb. 11. Bei elektrischer Überlast löst der Lasttrennschalter aus.

Nach Untersuchung und Behebung der Ursache der Überlast, drücken Sie den Lasttrennschalter, um ihn zurückzusetzen.

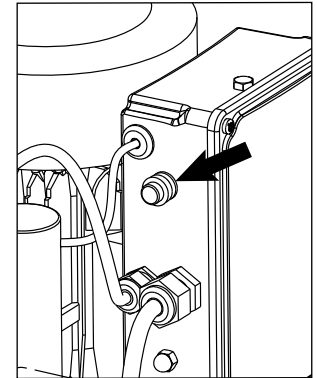


Abb. 11, Lasttrennschalter

6.0 WARTUNG

Überprüfen Sie alle Systemkomponenten regelmäßig auf Lecks und Schäden. Reparieren oder ersetzen Sie beschädigte Komponenten. Elektrische Komponenten, beispielsweise das Netzkabel, dürfen nur von einem qualifizierten Elektriker repariert und ausgetauscht werden, der alle geltenden örtlichen und nationalen Vorschriften einhält.



WARNUNG: Trennen Sie die Pumpe vom Strom, bevor Sie Wartungs- oder Reparaturarbeiten durchführen.

6.1 Öl wechseln und Behälter reinigen

Enerpac HF-Öl hat eine klare blaue Farbe. Überprüfen Sie den Ölzustand regelmäßig auf Verunreinigung, indem Sie das Pumpenöl mit neuem Enerpac-Öl vergleichen. Als allgemeine Regel gilt, dass Sie den Behälter alle 250 Stunden entleeren und reinigen sollten. Es sollte häufiger geschehen, wenn die Pumpe in schmutzigen Umgebungen eingesetzt wird.

Hinweis: Für dieses Verfahren müssen Sie die Pumpe vom Behälter entfernen. Arbeiten Sie an einer sauberen Werkbank und entsorgen Sie das Altöl gemäß den örtlichen Vorschriften.

Wechseln Sie das Öl und reinigen Sie den Behälter wie in den folgenden Schritten beschrieben. Eine Identifizierung der Teile und nähere Informationen zum Zerlegen/erneuten Zusammenbauen finden Sie im Pumpenreparaturblatt.

1. Ziehen Sie das Netzkabel der Pumpe aus der Steckdose.
2. Entfernen Sie die Ölablassschraube und lassen Sie das gesamte Öl aus dem Behälter in einen geeigneten Behälter ab. Reinigen Sie die Ölablassschraube und bauen Sie sie wieder ein.
3. Entfernen Sie die linken und rechten Seitenwände vom Sicherheitskäfig.
4. Trennen Sie die Schläuche vom Manometer.
- Hinweis:** Während des nächsten Schritts kann Öl aus den getrennten Schläuchen fließen. Stellen Sie für die Aufnahme des Öls einen geeigneten Behälter unter den Schlauch.
5. Lösen Sie die Klemmen an den Ölkühlerschläuchen am Behälter. Ziehen Sie die Schläuche vorsichtig von den Stecknippelverschraubungen.
6. Ziehen Sie das Kühlerlüfterkabel aus dem Lüfter. Trennen Sie das Erdungskabel (grün) von der Lüftererdungsschraube.
7. Entfernen Sie die Schrauben, die den Pumpenbehälter am Sicherheitskäfig befestigen. Entfernen Sie die Pumpe vom Sicherheitskäfig.
8. Wickeln Sie das Pumpennetzkabel und das Fernbedienungskabel von der Kabelaufbewahrungshalterung ab.
9. Entfernen Sie die zwei Schrauben, die die Kabelaufbewahrungshalterung an der Pumpenabdeckplatte befestigen. Entfernen Sie die Abdeckung, die Abdichtungsbeilagscheiben und die Kupferbeilagscheiben.

10. Entfernen Sie die restlichen Schrauben und Kupferbeilagscheiben rund um den äußeren Rand der oberen Platte der Pumpe.
11. Heben Sie die Pumpenbaugruppe vorsichtig aus dem Behälter.
12. Wischen Sie die Innenflächen des Behälters ab. Reinigen Sie den Behälter sorgfältig mit einem geeigneten Reinigungsmittel.



WARNUNG: Befolgen Sie bei Verwendung von Reinigungs- und Lösungsmitteln die Anweisungen des Herstellers. Tragen Sie einen geeigneten Hand- und Augenschutz.

13. Entfernen Sie alle fünf Innensechskantschrauben, die das Einlasssieb an der 1-stufigen Zahnradpumpe befestigen. Achten Sie darauf, die mittlere Platte und die Zahnräder nicht zu entfernen.

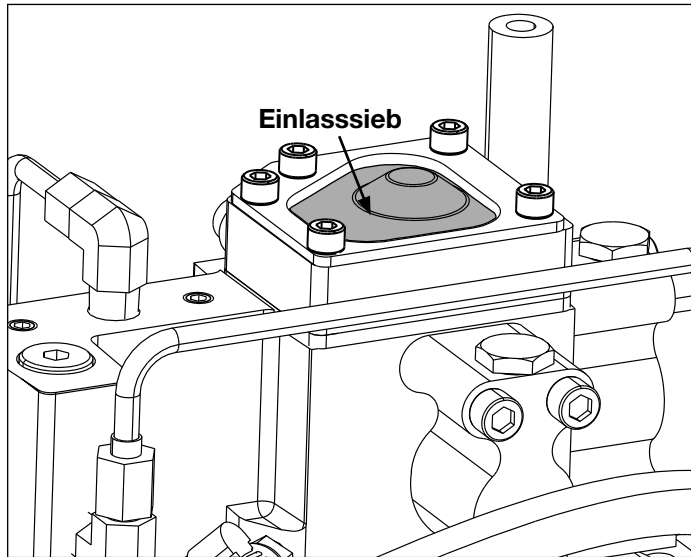


Abb. 12, Einlasssieb

(Hinweis: Die Pumpe ist aus dem Behälter genommen und umgedreht dargestellt.)

14. Entfernen Sie das Einlasssieb und reinigen Sie es mit einem nicht brennbaren Lösungsmittel. Trocknen Sie das Sieb anschließend mit Druckluft.



WARNUNG: Tragen Sie bei der Verwendung von Druckluft einen geeigneten Augenschutz. Überschreiten Sie für Reinigungszwecke 2 bar [30 psi] nicht.

15. Bauen Sie das Einlasssieb wieder ein. Ziehen Sie die fünf Innensechskantschrauben mit 8,5 Nm [75 inch pounds] an.
16. Bauen Sie eine neue Behälterdichtung ein.
17. Bauen Sie die Pumpe und den Behälter wieder zusammen, indem Sie die Schritte 1 bis 11 in umgekehrter Reihenfolge durchführen.

Hinweis: During reassembly, tighten fasteners to the following torques:

- Top plate reservoir retaining bolts: Apply Loctite 243 to threads and torque to 50-60 in-lbs [5,6-6,7 Nm].
 - Roll cage bolts: Apply Loctite 243 to threads and torque to 120-140 in-lbs [13,5-15,8 Nm].
 - Side panel bolts: Apply Loctite 243 to threads and torque to 60-72 in-lbs [6,7-8,1 Nm].
18. Füllen Sie den Behälter mit sauberem Enerpac HF-Hydrauliköl (ISO Güteklasse 32). Der Behälter ist voll, wenn der Ölstand dem in Abb. 2 entspricht.

7.0 FEHLERBEHEBUNG

(siehe Fehlerbehebungsleitfaden)

Nur qualifizierte Hydrauliktechniker sollten die Pumpe oder Systemkomponenten warten und reparieren. Ein Systemausfall kann das Ergebnis einer Fehlfunktion der Pumpe sein oder auch nicht. Um die Ursache des Problems festzustellen, muss das vollständige System in das Diagnoseverfahren einbezogen werden.

Die Informationen im Fehlerbehebungsleitfaden sind nur als Hilfe gedacht, um festzustellen, ob ein Problem vorliegt. Wenden Sie sich für die Reparatur an Ihr autorisiertes Enerpac-Servicecenter vor Ort.

Fehlerbehebungsleitfaden		
Problem	Mögliche Ursache	Maßnahme
Pumpe startet nicht, wenn die „ON/ADV“-Taste gedrückt wird.	Kein Strom.	Strom anschließen.
	Netzkabel beschädigt.	Prüfen, ob das Netzkabel beschädigt ist.
	Lasttrennschalter löst aus.	Lasttrennschalter zum Zurücksetzen drücken
	Unterspannung.	Andere elektrische Lasten abschalten. Stärkeres Manometerkabel verwenden.
	Fernbedienung beschädigt.	Fernbedienung reparieren. Wenden Sie sich an ein autorisiertes Servicecenter.
Motor stoppt unter Last.	Unterspannung	Lasttrennschalter zum Zurücksetzen drücken (falls ausgelöst). Andere elektrische Lasten abschalten. Stärkeres Manometerkabel verwenden.
	CKaltes Öl.	Lasttrennschalter zum Zurücksetzen drücken (falls ausgelöst). Pumpe vor Verwendung 5 Minuten lang bei 140 bar [2000 psi] laufen lassen, um das Öl zu erwärmen. Bei kaltem Klima Enerpac LX-Öl (ISO Güteklasse 15) verwenden.

(Fortsetzung auf der nächsten Seite)

Fehlerbehebungsleitfaden (Fortsetzung)		
Problem	Mögliche Ursache	Maßnahme
Lauter Betrieb.	Luft im Gerät eingeschlossen.	Luft aus dem System ablassen.
	Behälterlüfter nicht eingebaut.	Transportsicherung entfernen und Behälterlüfter wie in Abschnitt 4.1 beschrieben einbauen.
	Niedriger Ölstand.	Prüfen, ob der Ölbehälter bis zum normalen Stand gefüllt ist. Öl gemäß Abschnitt 4.2 hinzufügen.
	Luft entweicht.	Alle Punkte prüfen, an denen Luft in das System gelangen kann. Nötigenfalls Verschraubungen festziehen und/oder Reparaturen durchführen.
	Einlasssieb verstopft.	Einlasssieb reinigen.
Elektrisches Ventil funktioniert nicht.	Kein Strom an der Pumpe oder falsche Spannung.	An richtige Stromquelle gemäß dem Typenschild der Pumpe anschließen.
	Magnetventilkabel getrennt oder beschädigt..	Kabel anschließen, reparieren oder austauschen.
	Solenoid coil not operationalMagnetventilspule nicht funktionsfähig	Wenden Sie sich an ein autorisiertes Servicecenter.
Pumpe läuft, pumpt aber kein Öl. oder Pumpe baut nicht den vollen Druck auf.	Pumpe ist nicht vorgefüllt.	Pumpe einige Minuten laufen lassen und dabei vorsichtig von einer Seite zur anderen kippen.
	Behälterlüfter nicht eingebaut.	Transportsicherung entfernen und Behälterlüfter wie in Abschnitt 4.1 beschrieben einbauen.
	Niedriger Ölstand.	Öl gemäß Abschnitt 4.2 hinzufügen.
	Druck des Überdruckventils zu niedrig eingestellt.	Gemäß Abschnitt 5.6 einstellen.
	Externes Systemleck.	Prüfen und reparieren oder nötigenfalls Teile austauschen.
	Einlasssieb verstopft.	Einlasssieb reinigen.
	Internes Leck in der Pumpe.	Wenden Sie sich an ein autorisiertes Servicecenter.
	Internes Leck im Ventil.	
Internes Leck in einer Systemkomponente		
Die Pumpe baut den vollständigen Druck auf, aber der Drehmomentschlüssel bewegt sich nicht vorwärts.	Drehmoment größer als die Schlüsselkapazität bei vollem Druck..	Drehmomentschlüssel mit größerer Kapazität verwenden.
	Vorlaufleitung zum Schlüssel eingeschränkt oder blockiert.	Prüfen, ob die Kupplungen wie in Abschnitt 4.4 angegeben vollständig eingerastet sind.
Der Drehmomentschlüssel bewegt sich nicht rückwärts.	Rücklaufleitung vom Schlüssel eingeschränkt oder blockiert.	Prüfen, ob die Kupplungen wie in Abschnitt 4.4 angegeben vollständig eingerastet sind. Motor beim Zurückziehen laufen lassen.
	Ventilfehlfunktion	Wenden Sie sich an ein autorisiertes Servicecenter.
Manometer zeigt nicht null (0) psi/ bar an, wenn der Pumpenmotor gestoppt wird.	Druck nicht verringert.	Druck wie in Abschnitt 5.4 angegeben verringern.
	Manometer nicht kalibriert.	Manometer von einer qualifizierten Kalibrierungseinrichtung neu kalibrieren lassen.
Pumpe läuft heiß.	Vorlauf oder Rücklauf eingeschränkt.	Prüfen, ob die Kupplungen wie in Abschnitt 4.4 angegeben vollständig eingerastet sind.
	Niedriger Ölstand.	Öl gemäß Abschnitt 4.2 hinzufügen.
	Ölkühlerlüfter funktioniert nicht.	Ordnungsgemäßen Betrieb des Ölkühlerlüfters prüfen.
	Wärmetauscher des Ölkühlers mit Schmutz bedeckt oder verstopft.	Schmutz von allen Ölkühlerlamellen und vom Lüfter entfernen. Ölkühlerschläuche auf Verstopfungen prüfen.

L3060 Rev. B 08/12

L'esplosione delle parti di ricambio per questo prodotto è ottenibile sul sito web www.enerpac.com, oppure chiamando il Centro Assistenza Autorizzato a voi più vicino, o il ns. ufficio commerciale.

1.0 ISTRUZIONI AL RICEVIMENTO

Controllare visivamente tutti i componenti per accertare eventuali danni derivanti dal trasporto. Se del caso, sporgere subito reclamo al trasportatore. I danni causati durante il trasporto non sono coperti dalla garanzia. Il trasportatore è responsabile degli stessi e deve rispondere di tutte le spese e costi per la rimessa in efficienza del materiale.

SICUREZZA ANZITUTTO

2.0 NORME SULLA SICUREZZA



Leggere attentamente tutte le istruzioni, le Precauzioni ed Avvertenze che si devono osservare durante l'impiego delle attrezzature. Rispettare

tutte le norme di sicurezza per evitare infortuni alle persone e danni alle cose. L'ENERPAC non è responsabile per infortuni e danni causati dal mancato rispetto delle Norme di Sicurezza, dall'uso e dall'applicazione impropria del prodotto o dalla sua mancata manutenzione. In caso di dubbi sulla applicazione del prodotto o sulla Sicurezza, contattare l'ENERPAC. Se non si conoscono le Norme di Sicurezza per i Sistemi Oleodinamici ad Alta Pressione contattare l'ENERPAC o i suoi Rappresentanti per un corso gratuito di addestramento sulla Sicurezza.

L'inosservanza delle seguenti Norme di Sicurezza può causare infortuni alle persone e danni alle attrezzature.

PRECAUZIONE: Sta ad indicare la corretta procedura d'impiego o di manutenzione per evitare danni, anche irreparabili, dell'attrezzatura e delle cose circostanti.

AVVERTENZA: Sta ad indicare un potenziale pericolo che richiede l'osservanza della procedura per evitare infortuni alle persone.

PERICOLO: E' usato solo quando una azione od una mancata azione può provocare gravi infortuni se non la morte.



AVVERTENZA: Durante l'impiego delle attrezzature oleodinamiche usare sempre gli indumenti protettivi appropriati.

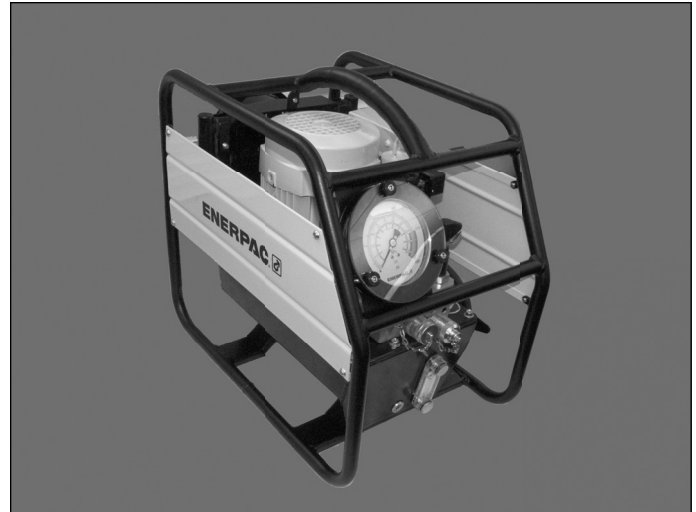


AVVERTENZA: Non sostare sotto ai carichi sorretti oleodinamicamente. Quando si impiega un cilindro, oleodinamico, per sollevare od abbassare un carico, non deve mai essere utilizzato come sostegno permanente. Dopo ogni operazione di sollevamento od abbassamento, assicurare il carico meccanicamente.



AVVERTENZA: IMPIEGARE SUPPORTI SOLIDI PER IL SOSTEGNO DEI CARICHI. Carefully select steel or wood blocks that are capable

Scegliere blocchi in acciaio o legno idonei a sostenere il carico. Non usare mai il cilindro oleodinamico come cuneo o spessore nelle operazioni di sollevamento o pressatura.



PERICOLO Per evitare lesioni personali, tenere mani e piedi lontano dai cilindri oleodinamici durante il loro impiego.



AVVERTENZA: La pressione max. di esercizio, in un circuito, non deve mai superare quella nominale del componente a pressione più bassa. Per controllare la pressione in un circuito, montare un manometro.



PRECAUZIONE: Evitare di danneggiare il tubo flessibile. Evitare curve strette e serpentine dei tubi flessibili. Curve troppo strette causano strozzature nella tubazione che possono dar luogo a pericolose contropressioni le quali ne compromettono la durata.



NON schiacciare i tubi flessibili. Lo schiacciamento od urto, con oggetti pesanti, possono danneggiare le spirali metalliche interne di rinforzo. Pressurizzare un tubo flessibile lesionato ne causa la rottura.



IMPORTANTE: Non usare il tubo flessibile od il giunto ruotante per sollevare le attrezzature. Servirsi delle maniglie di trasporto o di altri mezzi più sicuri.



PRECAUZIONE: Proteggere tutti i componenti oleodinamici da fonti di calore. Una temperatura elevata ammorbidisce le tenute, le guarnizioni ed il tubo flessibile, dando origine a perdite d'olio. Per un corretto funzionamento la temperatura dell'olio non deve superare i 65 °C. Proteggere i tubi flessibili ed i cilindri dagli spruzzi di saldatura.



PERICOLO: Non maneggiare i tubi flessibili sotto pressione. Spruzzi d'olio sotto pressione perforano la pelle causando serie complicazioni. Se l'olio è penetrato sotto pelle, consultare immediatamente un Medico.



AVVERTENZA: usare solo chiavi torsionometriche idrauliche in un sistema accoppiato. Non usare mai chiavi torsionometriche con accoppiatori non collegati. Se la chiave torsionometrica viene eccessivamente caricata, i componenti

possono collassare in modo catastrofico causando ferimenti personali pesanti.



IMPORTANTE: La manutenzione delle attrezzature oleodinamiche deve essere affidata solo a tecnici qualificati. Per il servizio di assistenza tecnica, rivolgersi al Centro Assistenza Autorizzato ENERPAC di zona. Per salvaguardare la Vostra garanzia, usare solo olio ENERPAC.



AVVERTENZA: Sostituire immediatamente le parti usurate o danneggiate con ricambi originali ENERPAC. Le parti usurate si potrebbero rompere, causando lesioni alle persone e danni alle cose.



ATTENZIONE: Non impiegare le pompe con motore elettrico in ambienti a rischio d'esplosione. Rispettare la Normativa Nazionale vigente in materia di Antideflagranza. Le modifiche e l'installazione devono essere effettuate da un elettricista qualificato.



ATTENZIONE: Tenere le mani distanti dalle parti in movimento e dai tubi flessibili in pressione.



ATTENZIONE: Queste centraline sono dotate di valvole limitatrici di pressione tarate dal costruttore. Per la loro riparazione o taratura rivolgersi esclusivamente ad un Centro Assistenza autorizzato ENERPAC.



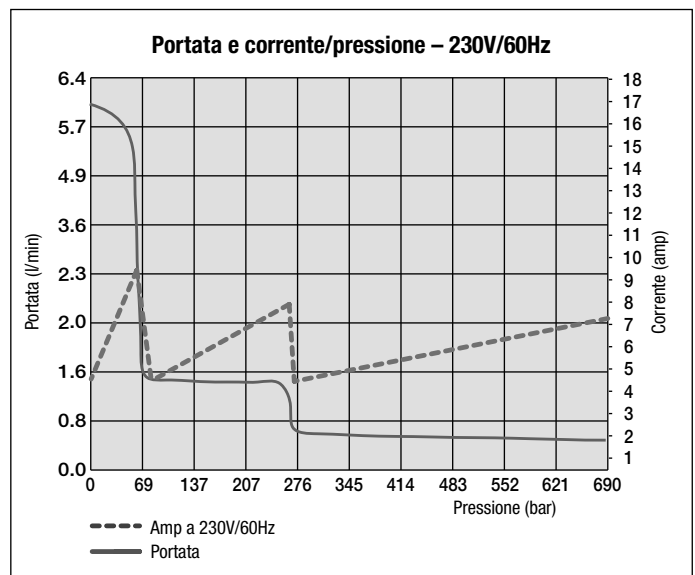
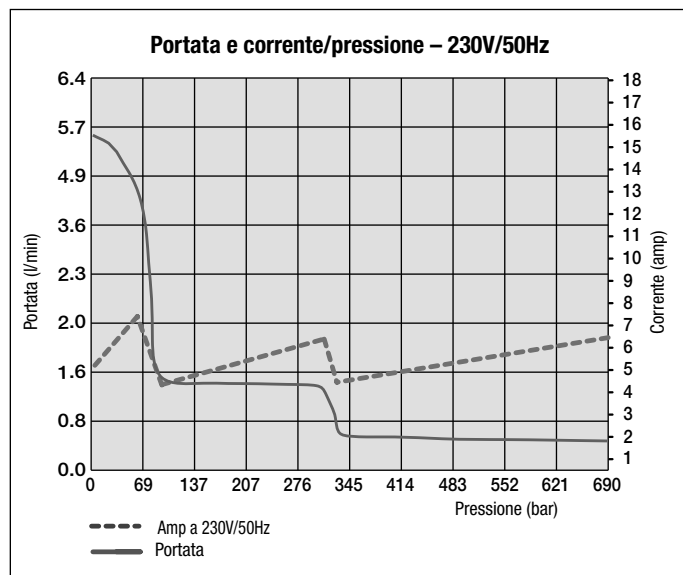
AVVERTENZA: allo scopo di impedire danni al motore elettrico della pompa, controllare le specifiche. L'uso di una sorgente di alimentazione non corretta danneggia il motore.

3.0 DATI DEL PRODOTTO

3.1 Specifiche

Modello	Potenza motore	Pressione Massima di Funzionamento	Specifiche elettriche del motore	Portata			Livello acustico	Gamma regolazione valvola di scarico	Peso . approssimativo senza olio
	HP [kW]	psi [bar]	Tensione, Fasi, Hz	1 Stadio	2 Stadio	3 Stadio	dBA	psi [bar]	lbs. [kg]
TQ-700E	1.0 [0,75]	10,000 [700]	230-1-50	320 in ³ [5,25 l/min] a 100 psi [6,9 bar]	82 in ³ [1,34 l/min] a 4,300 psi [296 bar]	30 in ³ [0,49 l/min] a 10,000 psi [700 bar]	82-85	1,400-10,000 [140-700]	66 [30]
TQ-700I	1.0 [0,75]	10,000 [700]	230-1-60	380 in ³ [6,23 l/min] a 100 psi [6,9 bar]	98 in ³ [1,61 l/min] a 4,300 psi [296 bar]	38 in ³ [0,63 l/min] a 10,000 psi [700 bar]	75-79	1,400-10,000 [140-700]	66 [30]

3.2 Diagrammi prestazioni



Nota: L'assorbimento effettivo di corrente varia in conseguenza del tipo di applicazione.

4.0 INSTALLAZIONE

Posizionare la pompa accertandosi che il flusso dell'aria attorno al motore non sia ostruito. Mantenere il motore pulito per assicurare il massimo raffreddamento durante il funzionamento.

4.1 Sfiatatoio del serbatoio

Vedere la Figura 1. Sul raccordo di aerazione in cima al serbatoio è installato un tappo (A) solo per la spedizione. Prima di usare la pompa, sostituire il tappo di spedizione (A) con lo sfiatatoio (B) ed il raccordo adattatore (C).

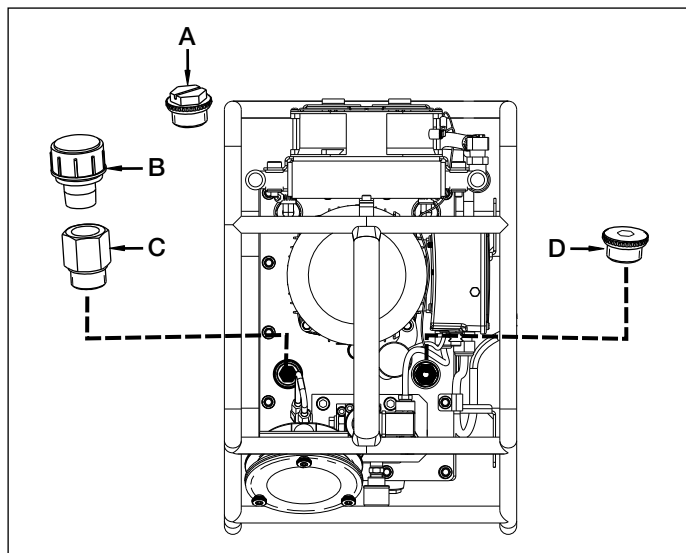


Figura 1, Sfiatatoio del serbatoio e tappo di riempimento dell'olio

4.2 Livello dell'olio

Controllare il livello dell'olio prima di avviare la pompa. Il serbatoio è pieno quando il livello dell'olio arriva alla linea superiore della spia dell'olio, come mostrato in Figura 2. Se necessario, rimboccare l'olio togliendo il tappo di riempimento (D) dal tubo di riempimento come mostrato in Figura 1. Usare olio Enerpac HF (Grado ISO 32).

IMPORTANTE: Aggiungere olio soltanto quando i componenti saranno ritornati completamente a riposo, oppure il sistema verrebbe a contenere più olio di quanto non ce ne possa stare nel serbatoio. Il livello dell'olio potrebbe anche essere alla linea superiore del livello, ma dovrebbe rimanere almeno di 1 pollice [2.5 cm] al disotto del lato inferiore della piastra di copertura della pompa.

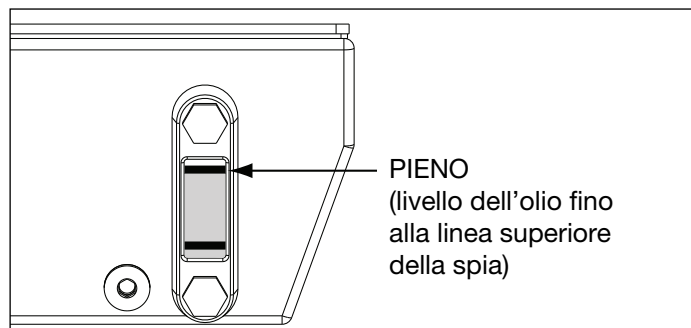


Figura 2, Spia del livello dell'olio

4.3 Collegamenti elettrici



AVVISO: La pompa è equipaggiata in fabbrica con la spina elettrica comune per una data tensione. L'eventuale sostituzione della spina deve essere fatta soltanto da un elettricista qualificato, in osservanza di tutti i regolamenti elettrici locali e nazionali applicabili.

1. Il circuito di disconnessione e di protezione della linea deve essere fornito dal cliente. La protezione del circuito di linea deve essere del 115 % della corrente di carico massimo del motore alla pressione massima di funzionamento.

2. Per maggiore informazione, fare riferimento alla targhetta dei dati elettrici della pompa e/o del motore per l'assorbimento. Fare riferimento alla Sezione 3.2.

4.4 Collegamenti idraulici

I collegamenti filettati, come i raccordi, devono essere ben stretti e senza perdite. Fare due o tre giri di nastro di Teflon (o altro sigillante adatto per filetti) su tutti i filetti, senza coprire anche il primo filetto, per essere sicuri che non entrino corpi estranei nel circuito idraulico. Tagliare le estremità libere del nastro.

IMPORTANTE: Usare grande cura per impedire l'eventuale entrata di pezzi di nastro nel sistema idraulico.

Collegare i tubi flessibili come mostrato nelle Figure 4 e 5.

Usare tubi flessibili dati per la pressione di lavoro di 700 bar/10,000 psi. Gli accoppiatori devono essere polarizzati come mostrato in Figura 5 per il funzionamento corretto della chiave torsionometrica. Accertarsi che gli accoppiatori siano completamente inseriti e stretti prima di iniziare il funzionamento. L'inserimento solo parziale di un accoppiatore impedirà il corretto funzionamento della chiave torsionometrica.



AVVISO: Quando si usano pompe con collettori a raccordi multipli, accertarsi che tutti gli accoppiatori non utilizzati abbiano i rispettivi tappi protettivi prima di installare la pompa.

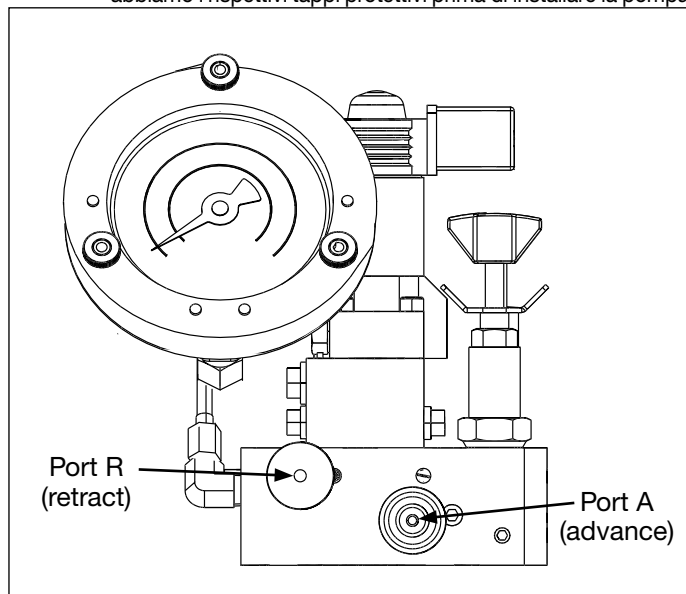


Figure 4, Valve Connections

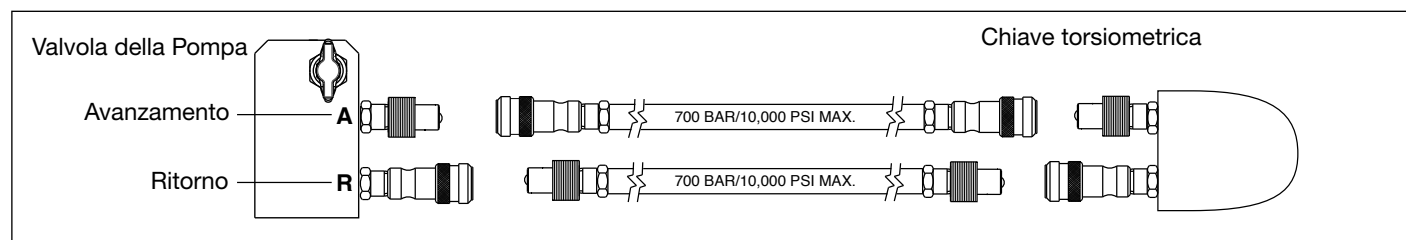


Figura 5, Dettagli del tubo flessibile (vista dall'alto)

5.0 FUNZIONAMENTO

5.1 Prima dell'azionamento della pompa.

1. Installare lo sfiatatoio del serbatoio e controllare il livello dell'olio come descritto nelle sezioni 4.1 e 4.2.
2. Se usato, installare la sovrapposizione del momento torcente come descritto nella Sezione 5.5.
3. Impostare la regolazione della pressione (momento torcente) come descritto nella Sezione 5.6.
4. Collegare i tubi flessibili idraulici come descritto nella Sezione 4.4.

5.2 Comandi della tastierina

Vedere la Figura 6.

Pulsante "ON/ADV" della tastierina:

A pulsante premuto -

- Il motore parte.
- La chiave AVANZA fin tanto che il pulsante è premuto.

A pulsante rilasciato -

- La chiave RITORNA.
- Il motore continua a girare per 20 secondi.

Pulsante "OFF" della tastierina:

Il motore si arresta immediatamente quando il pulsante viene premuto (nessun ritardo)

5.3 Funzionamento della pompa

IMPORTANTE: Quando è possibile, un solo operatore dovrebbe azionare la chiave torsionometrica e la pompa. Questo serve a prevenire l'azionamento accidentale della pompa, quando l'operatore sta posizionando la chiave.



AVVISO: Nel passo seguente, il motore della pompa partirà e la valvola si sposterà automaticamente, facendo ritornare la chiave torsionometrica. Verificare che la chiave sia posizionata in modo tale da evitare ferimento o danni all'equipaggiamento prima di azionare il motore.

1. TPer azionare la pompa, premere il pulsante "ON/ADV" della tastierina. Vedere la Figura 6. Il motore si avvierà automaticamente e la chiave continuerà ad avanzare fintanto che il pulsante è premuto.
2. Rilasciare il pulsante "ON/ADV" per fare ritornare la chiave. Dopo che il pulsante è stato rilasciato il manometro mostrerà la pressione del circuito di ritorno (bypass raccordo R), circa 2500 - 2800 psi [173 - 193 bar].
3. Premere il pulsante "OFF" per fermare la pompa.

Nota: Se il pulsante "ON/ADV" non è premuto ogni volta entro un intervallo di 20 secondi, il temporizzatore incorporato nella pompa arresterà automaticamente il motore.

Nota: Quando la chiave viene collegata per la prima volta alla pompa, ci sarà dell'aria intrappolata nel circuito idraulico. Rimuovere l'aria ponendo la chiave ed i tubi flessibili tesi ad un livello inferiore della pompa. Azionare la pompa senza carico, come necessario, fino a che avanza e ritorna senza esitazioni.

5.4 Rilascio della Pressione

Per scaricare la pressione idraulica dalla chiave e dai tubi:

- Premere e mantenere premuto il pulsante "OFF". Vedere la Figura 7.
- Mentre si continua a mantenere premuto il pulsante "OFF", premere e rilasciare il pulsante tre o quattro volte, fino a che il manometro indichi pressione di zero (0) psi/bar. Ora si possono togliere i tubi flessibili.

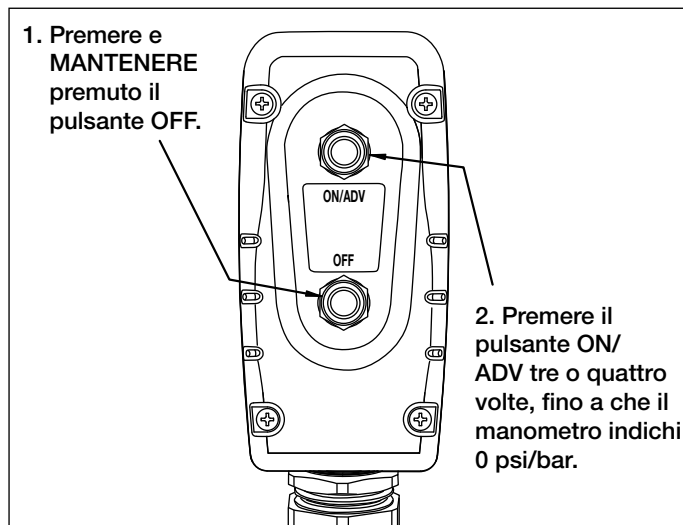


Figura 7, Rilascio della Pressione (usando i pulsanti della tastierina)

Se la pressione non potesse essere rilasciata usando i pulsanti della tastierina, premere fortemente il pulsante di intervento a mano in cima all'assieme valvola. Questo sposterà manualmente la bobina della valvola, rilasciando la pressione intrappolata.

IMPORTANT: The manual override button is intended for occasional use only, such as during a power failure.

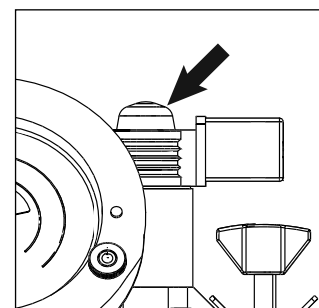


Figura 8, Pulsante di intervento manuale (sulla valvola)

5.5 Manometro Pressione Momento Torcente (disco di Sovrapposizione)

Per la Vostra comodità i dischi di sovrapposizione per il momento torcente per i modelli prescelti delle chiavi torsionometriche Enerpac sono forniti con la pompa.

Un disco di sovrapposizione per la coppia si applica sul disco del manometro e converte le letture della pressione facilmente in letture del momento torcente. Esso è marcato in unità imperiali (ft-lbs.) da un lato e in unità metriche (Nm) dall'altro. Per cambiare le scale di lettura, ribaltare il disco di sovrapposizione.



AVVISO: Ogni disco di sovrapposizione è dimensionato SOLO per un modello specifico di chiave Enerpac. Non usarlo con altri modelli di chiavi.

Installare un disco di sovrapposizione per la lettura della coppia come descritto nei passi seguenti. Vedere la Figura 9.

1. Rimuovere la vite a testa zigrinata che fissa lo schermo del manometro. Allentare, ma non togliere le due viti zigrinate sul fondo.
 2. Porre il disco di sovrapposizione desiderato sulla mensolina della flangia, allineando il disco stesso con le depressioni sulla flangia.
- IMPORTANTE:** Verificare sempre che sia installata la corretta sovrapposizione per la chiave Enerpac che si sta usando.
3. Dopo che un disco di sovrapposizione è stato messo al suo posto, stringere le due viti zigrinate sul fondo. Reinstallare e stringere la vite superiore.
 4. Leggere le istruzioni della chiave per l'ammontare della pressione idraulica necessaria per produrre il momento torcente (coppia) desiderato. Notare che la pressione massima varierà secondo la chiave e gli accessori.

IMPORTANTE: Fare riferimento alla istruzioni della chiave torsionometrica per le procedure di utilizzo della chiave e le specifiche.

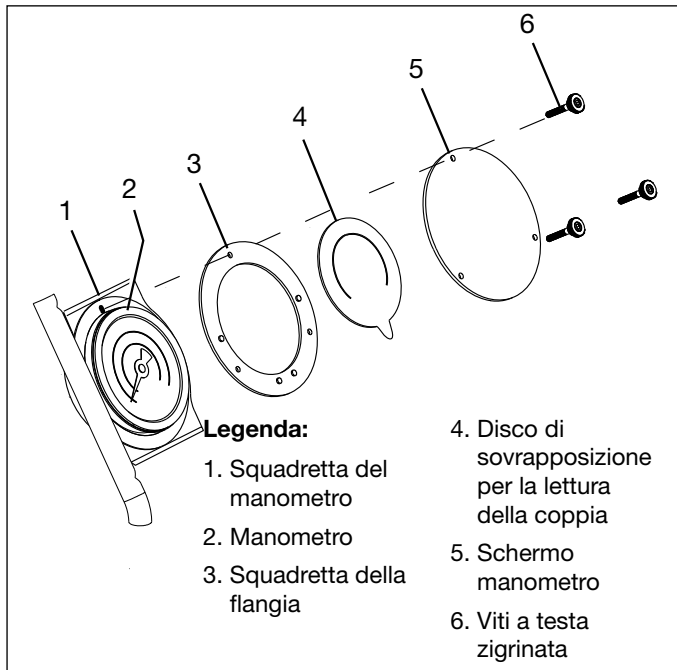


Figure 9, Disco di sovrapposizione manometro

5.6 Regolazione pressione (coppia)

Per limitare la pressione di avanzamento alla chiave torsionometrica, regolare la pressione come descritto nella seguente procedura. Vedere la Figura 10.



AVVISO: ARegolare la regolazione della pressione della pompa PRIMA di porre la chiave torsionometrica sul dado o sulla testa del bullone. La regolazione della pressione della pompa non deve essere al di sopra della pressione necessaria per fornire il momento torcente richiesto per la vostra applicazione. Il superamento del momento torcente richiesto causerà il danneggiamento dell'equipaggiamento e può portare al ferimento delle persone.

1. Scollegare i tubi flessibili dai raccordi "A" ed "R" del collettore della valvola. Installare dei cappucci metallici protettivi sui raccordi non usati.
2. Allentare il dado di bloccaggio della valvola di scarico.
3. Ruotare la manopola di regolazione in senso orario come richiesto, per impedire la formazione di pressione indesiderata.
4. Premere e mantenere premuto il pulsante della tastierina "ON/ADV". Il Motore parte e inizia a formarsi la pressione nel circuito di avanzamento del raccordo A.
5. Mentre si continua a mantenere premuto il pulsante della tastierina "ON/ADV", ruotare LENTAMENTE la manopola di regolazione in senso orario per aumentare la regolazione della pressione oppure antiorario per diminuirla.

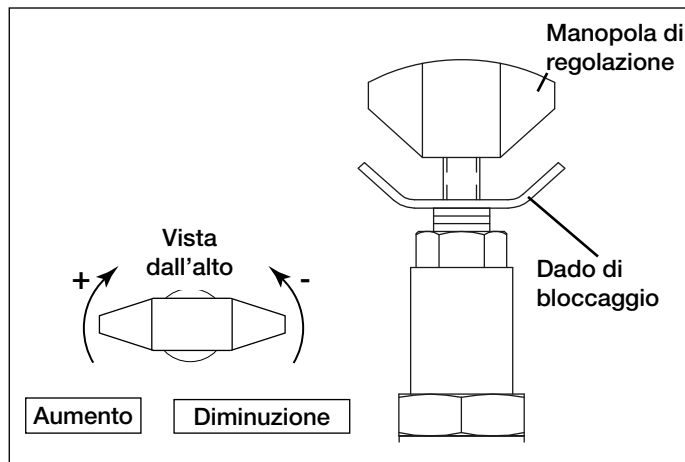


Figure 10, Regolazione della pressione

6. Rilasciare il pulsante della tastierina "ON/ADV" per permettere alla pressione del sistema di ritornare alla pressione di ritorno al raccordo R. Il motore continuerà a girare.
7. Premere di nuovo e mantenere premuto il pulsante "ON/ADV" della tastierina per ricontrollare la regolazione della pressione di avanzamento. Verificare che la pressione desiderata sia segnalata sul manometro.
8. Dopo che è stata ottenuta la regolazione desiderata della pressione, bloccare la valvola di scarico col dado di bloccaggio. .

5.7 Interruttore di circuito

Un interruttore di circuito a pulsante è situato sull'involucro della pompa elettrica.

Vedere la Figura 11. Nell'eventualità di un sovraccarico elettrico, l'interruttore di circuito scatta automaticamente.

Dopo avere cercato e scoperto la causa del sovraccarico premere il pulsante di ripristino del circuito.

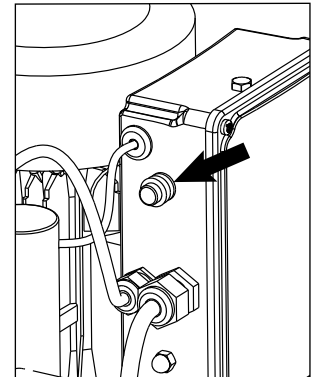


Figure 11, Interruttore di circuito

6.0 MANUTENZIONE

Ispezionare frequentemente tutti i componenti del sistema per perdite o danni. Riparare o sostituire i componenti danneggiati. I componenti elettrici, per esempio, il cordone di alimentazione possono essere riparati o sostituiti da un elettricista qualificato, in osservanza di tutti i regolamenti elettrici locali e nazionali applicabili..



AVVISO: Scollegare la pompa dal circuito elettrico prima di effettuare qualsiasi manutenzione o riparazione.

6.1 AVVISO

L'olio Enerpac HF ha un colore blu brillante. Controllare frequentemente le condizioni dell'olio per quanto riguarda la contaminazione comparando l'olio della pompa con dell'olio Enerpac nuovo. Come regola generale, scaricare completamente l'olio e pulire il serbatoio ogni 250 ore o più frequentemente se la pompa è usata in ambienti sporchi.

Nota: Questa procedura richiede di togliere la pompa dal serbatoio. Lavorare e pulire il banco ed eliminare l'olio usato secondo i regolamenti vigenti.

Cambiare l'olio e pulire il serbatoio come descritto nei passi seguenti: fare riferimento al foglio di istruzioni che riporta i ricambi per la loro identificazione ed i dettagli di montaggio e smontaggio.

1. Disinserire la spina del cordone di alimentazione dalla presa elettrica.
2. Togliere il tappo di scarico e scaricare tutto l'olio dal serbatoio in un contenitore adatto all'uso. Pulire e reinstallare il tappo di scarico.
3. Rimuovere i pannelli di destra e di sinistra dall'involucro esterno.
4. Scollegare le tubazioni dal manom.

Nota: Durante il prossimo passo potrebbe defluire dell'olio dai tubi flessibili distaccati. Porre un contenitore adatto sotto le estremità dei tubi per raccoglierlo.

5. Allentare i morsetti sui tubi flessibili del refrigeratore al serbatoio. Tirar via delicatamente i tubi flessibili dai loro raccordi.
6. Scollegare il cavo del ventilatore dal ventilatore stesso. Scollegare il filo di terra (verde) dalla vite di terra del ventilatore.
7. Smontare i bulloni che fissano il serbatoio della pompa all'involucro. Togliere la pompa dall'involucro stesso.
8. Srotolare il cordone di alimentazione della pompa ed il cavo della tastierina dalla squadretta di immagazzinamento dei cordini.
9. Togliere i due bulloni che fissano la squadretta di supporto del cavo avvolto alla piastra di copertura della pompa. Togliere la squadretta, le rondelle di tenuta e le rondelle di rame.

10. Rimuovere i bulloni restanti e le rondelle di rame attorno al bordo esterno della piastra superiore della pompa.
 11. Sollevare con cura e togliere l'assieme della pompa dal serbatoio.
 12. Pulire con uno straccio le superfici interne del serbatoio. Pulire con cura il serbatoio con un agente di pulizia adatto.
- AVVISO:** eguire le istruzioni del produttore quando si usano agenti di pulizia e solventi. Indossare protezioni appropriate per le mani e gli occhi.
13. Rimuovere le cinque viti Brugola che fissano lo schermo di entrata del 1° stadio della pompa ad ingranaggi. Fate attenzione a non smontare la piastra centrale e gli ingranaggi.



AVVISO: eguire le istruzioni del produttore quando si usano agenti di pulizia e solventi. Indossare protezioni appropriate per le mani e gli occhi.

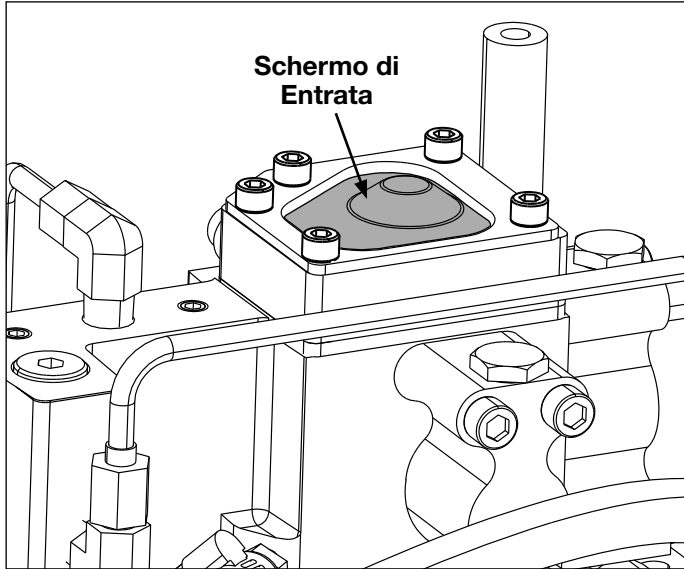


Figura 12, Schermo di Entrata.

(Nota: pompa tolta dal serbatoio e mostrata sottosopra)

14. Rimuovere lo schermo di entrata e pulire con un solvente non infiammabile. Quindi soffiare con aria compressa per essicare lo schermo pulito.
- AVVISO:** Indossare un'appropriate protezione per gli occhi quando si usa l'aria compressa. Non superare 30 psi (0,06894 bar) per scopi di pulizia.
15. Reinstallare lo schermo di entrata. Stringere le 5 viti Brugola con 75 pollici per libbra [8,5 Nm].
 16. Installare una nuova guarnizione per il serbatoio.
 17. Rimontare pompa e serbatoio, seguendo a rovescio i passi da 1 ad 11.

Nota: Durante il rimontaggio stringere i bloccaggi con le seguenti coppie:

- **Bulloni di fissaggio della piastra superiore del serbatoio:** applicare Loctite 243 ai filetti e stringere con coppia di 50-60 in-lbs [5,6-6,7 Nm].
 - **Bulloni involucro esterno:** Applicare Loctite 243 ai filetti e stringere con coppia di 120-140 in-lbs [13,5-15,8 Nm].
 - **Bulloni pannello laterale:** Applicare Loctite 243 ai filetti e stringere con coppia di 60-72 in-lbs [6,7-8,1 Nm].
18. Riempire il serbatoio con olio idraulico Enerpac HF (Grado ISO 32). Il serbatoio è pieno quando il livello è come mostrato in Figura 2.

7.0 ELIMINAZIONE DEI DIFETTI (Vedere la Guida per l'eliminazione dei difetti)

Solo tecnici qualificati possono fare la manutenzione della pompa o dei componenti del sistema. Un guasto nel sistema può anche non essere il risultato di una disfunzione della pompa. Per determinare la causa del problema, il sistema intero deve essere incluso nella procedura di diagnosi.

Le informazioni nella guida per l'eliminazione dei difetti sono intese per l'uso a titolo di aiuto per determinare se esiste un problema. Per il servizio di riparazione contattare il Centro Autorizzato di Servizio dell'Enerpac più vicino.

Guida per l'eliminazione dei Difetti		
Problema	Possibile Causa	Azione
La Pompa non parte quando si preme il pulsante "ON/ADV".	Non c'è alimentazione.	Collegare l'alimentazione
	Cordone di alimentazione danneggiato.	Accertarsi che il cordone di alimentazione non sia danneggiato.
	Interruttore di sicurezza scattato.	Premere il pulsante dell'interruttore di sicurezza per resettarlo.
	Tensione bassa.	Commutare gli altri carichi elettrici su off. Usare un cordone di prolunga di maggiore sezione.
	Danno della tastierina.	Riparare la tastierina. Vedere il Centro di Servizio Autorizzato.
Il Motore si arresta sotto carico.	Tensione bassa	Premere il pulsante dell'interruttore di sicurezza scattato per resettarlo (se scattato). Commutare gli altri carichi elettrici su off. Usare un cordone di prolunga di maggiore sezione.
	Olio freddo.	Premere il pulsante dell'interruttore di sicurezza scattato per resettarlo (se scattato). Fare funzionare la pompa a 2000 psi [140 bar] per 5 minuti per riscaldare l'olio prima di usare la pompa. Usare olio Enerpac LX (Grado ISO 15) nei climi freddi.

(continua alla pagina seguente)

Guida per l'eliminazione dei Difetti (continuazione)		
Problema	Possibile Cause	Azione
Funzionamento rumoroso.	Aria intrappolata nel sistema.	Scaricare l'aria dal sistema.
	Sfiatatoio serbatoio non installato.	Togliere il tappo di spedizione ed installare lo sfiatatoio, vedere la Sezione 4.1.
	Basso livello dell'olio.	Accertarsi che il serbatoio sia pieno fino al livello normale. Aggiungere olio, vedere la Sezione 4.2.
	Perdite di aria.	Controllare tutti i punti in cui l'aria può entrare nel sistema. Stringere i raccordi e/o fare le riparazioni come richiesto.
	Schermo entrata tappato.	Pulire lo schermo di entrata.
La valvola elettrica non funziona.	Non c'è alimentazione alla pompa o tensione bassa.	Collegare all'alimentazione corretta come da targhetta dei dati tecnici.
	Cavo del Solenoide staccato o danneggiato.	Collegare, riparare, o sostituire il cavo
	La Bobina del Solenoide non è operativa.	Consultare il Centro di Servizio Autorizzato.
La Pompa funziona, ma non pompa olio. oppure La pompa non raggiunge la Pressione totale.	La pompa non si innesca.	Far funzionare la pompa per qualche minuto mentre la si fa delicatamente inclinare da un lato all'altro.
	Sfiatatoio serbatoio non installato.	Togliere il tappo di spedizione ed installare lo sfiatatoio, vedere la Sezione 4.1.
	Basso livello dell'olio.	Aggiungere olio come da Sezione 4.2.
	La Pressione della Valvola di Scarico è troppo bassa.	Tarare come da sezione 5.6.
	Perdita esterna del sistema.	Ispezionare e riparare o sostituire i componenti come richiesto.
	Schermo entrata tappato.	Pulire lo schermo di entrata.
	Perdita interna della pompa.	Consultare il Centro di Servizio Autorizzato.
	Perdita interna della valvola.	
Perdita interna in un componente del sistema.		
La pompa crea la pressione totale, ma la chiave torsionometrica non fa l'avanzamento.	La coppia è maggiore della capacità della chiave torsionometrica alla pressione totale.	Usare una chiave torsionometrica con una maggiore capacità.
	Il flusso di avanzamento alla chiave torsionometrica è ristretto o bloccato.	Controllare gli accoppiatori a riguardo del loro completo inserimento come da Sezione 4.4.
La chiave torsionometrica non effettua il ritorno.	Linea del flusso di ritorno dalla chiave ristretta o bloccata.	Controllare gli accoppiatori a riguardo del loro completo inserimento come da Sezione 4.4. Far funzionare il motore durante il ritorno.
	Disfunzione della valvola.	Consultare il Centro di Servizio Autorizzato.
Il manometro non dà lettura zero (0) psi/bar quando il motore si ferma.	La Pressione non si è scaricata.	Scaricare la Pressione come da Sezione 5.4.
	Manometro fuori calibratura.	Fare ricalibrare il manometro da un laboratorio attrezzato.
La pompa si scalda.	Flusso di avanzamento o ritorno ristretto.	Controllare gli accoppiatori a riguardo del loro completo inserimento come da Sezione 4.4
	Basso livello dell'olio.	Aggiungere olio come da Sezione 4.2.
	Oventilatore di raffreddamento dell'olio non funziona.	Controllare il corretto funzionamento del ventilatore.
	Scambiatore di calore del refrigeratore dell'olio coperto di sporco o tappato.	Togliere tutto lo sporco dalle alette del refrigeratore dell'olio e dal ventilatore. Controllare che i tubi del refrigeratore non siano ostruiti.

Bomba clásica Bolting TQ-700

L3060 Rev. B 08/12

Las hojas de despiece para este producto están disponibles en la página web de Enerpac en la dirección www.enerpac.com, o en el centro de asistencia Técnica ó punto de venta Enerpac más cercano.

1.0 IMPORTANTES INSTRUCCIONES DE RECEPCIÓN

Inspeccione visualmente todos los componentes para verificar si hay daños producidos en el transporte. Debido a que la garantía no ampara daños en transporte, si los hubiese, informe inmediatamente a la empresa de transportes, puesto que ésta es responsable de todos los gastos de reparaciones o reemplazo que resulten por daños producidos en el transporte.

SEGURIDAD PRIMERO

2.0 ASPECTOS DE SEGURIDAD



Lea todas las instrucciones, advertencias y precauciones. Acate todas las precauciones de seguridad para evitar lesiones o daños a la propiedad durante el funcionamiento del sistema. ENERPAC no puede ser responsable de daños o lesiones que resulten de no usar el producto de forma segura, falta de mantenimiento o aplicación incorrecta del producto y/o funcionamiento del sistema. Comuníquese con ENERPAC si tuviese dudas sobre las precauciones de seguridad o sobre las aplicaciones. Si nunca ha sido capacitado en seguridad hidráulica de alta presión, consulte a su distribuidor o centro de servicio para obtener un curso de seguridad gratis denominado ENERPAC Hydraulic.

El no cumplir con las siguientes precauciones y advertencias podría causar daños averías al equipo y lesiones.

Una **PRECAUCIÓN** se utiliza para indicar procedimientos y prácticas de uso o mantenimiento correctos para evitar daños o la destrucción de equipo u otra propiedad.

Una **ADVERTENCIA** indica un potencial peligro que requiere de procedimientos o prácticas correctos para evitar lesiones.

Un **PELIGRO** se utiliza sólo cuando su acción u omisión podría causar lesiones graves o incluso la muerte.



ADVERTENCIA: Use el equipo de protección personal adecuado cuando use equipo hidráulico.



ADVERTENCIA: Manténgase alejado de las cargas soportadas por sistemas hidráulicos. Cuando un cilindro se utiliza como dispositivo para levantar carga, nunca debería usarse como dispositivo para sostener carga. Después de que la carga haya sido levantada o descendida, debe bloquearse siempre en forma mecánica.



USE SÓLO PIEZAS RÍGIDAS PARA SOSTENER CARGAS. Seleccione cuidadosamente bloques de acero o de madera capaces de soportar la carga. Nunca use un cilindro hidráulico como calzo ó separador en aplicaciones de levantamiento o presión.



PELIGRO: Para evitar lesiones personales, mantenga las manos y los pies alejados del cilindro y pieza de trabajo durante el funcionamiento.



ADVERTENCIA: La presión de trabajo del sistema no debe sobrepasar el valor nominal de presión del componente con el valor nominal más bajo en el sistema. Instale manómetros en el sistema para vigilar la presión de trabajo. Es su ventana a lo que está sucediendo en el sistema.



PRECAUCIÓN: Evite dañar la manguera hidráulica. Evite pliegues y curvas agudos al guiar las mangueras hidráulicas. Usar una manguera con pliegues o curvas puede causar severa contrapresión. Los pliegues y curvas agudos causarán daños internos a la manguera, lo que ocasionará que ésta falle prematuramente.



No deje caer objetos pesados sobre la manguera. Un impacto directo puede dañar el trenzado metálico de la manguera. Aplicar presión a una manguera dañada puede ocasionar que se rompa.



IMPORTANTE: No levante el equipo hidráulico por las mangueras o acopladores giratorios. Utilice el asa de transporte u otros medios para transportarla con seguridad.



PRECAUCIÓN: Mantenga el equipo hidráulico alejado de las llamas y el calor. El calor en exceso ablandará las juntas, lo que resultará en fugas de líquidos. Asimismo, el calor debilita los materiales de la manguera y juntas. Para lograr un rendimiento óptimo, no exponga el equipo a temperaturas de 65°C (150°F) o mayores. Proteja las mangueras y cilindros de salpicaduras de soldadura.



PELIGRO: No manipule mangueras bajo presión. El aceite que escape bajo presión puede penetrar la piel y causar lesiones graves. Si se inyecta aceite bajo la piel, consulte a un médico inmediatamente.



ADVERTENCIA: Utilizar llaves dinamo-métricas hidráulicas sólo con el sistema acoplado. No utilizar las llaves dinamo-métricas con los acopladores desconectados. Si la llave dinamo-métrica se sobrecarga en exceso, los componentes podrían fallar y causar lesiones graves.



IMPORTANTE: Únicamente técnicos calificados en sistemas hidráulicos habrán de prestarle servicio al equipo hidráulico. Comuníquese con el Centro de Servicio ENERPAC autorizado en su zona para prestarle servicio de reparaciones. Use únicamente aceite ENERPAC a fin de proteger su garantía.



ADVERTENCIA: Reemplace inmediatamente las piezas gastadas o dañadas por piezas ENERPAC genuinas. Las piezas de calidad corriente se romperán, lo que causará lesiones y daños a la propiedad. Las piezas ENERPAC están diseñadas para encajar debidamente y resistir grandes cargas.



ATENCIÓN: No usar bombas eléctricas en un entorno explosivo. Cumplir todos los códigos eléctricos locales y nacionales. La instalación y las modificaciones deben ser realizadas por un electricista cualificado.



ATENCIÓN: Mantener las manos alejadas de las partes móviles y las mangueras a presión.



ATENCIÓN: Estas bombas tienen válvulas reguladoras de presión instaladas en fábrica que no han de ser reparadas o reajustadas salvo por un Centro de Servicio Técnico Autorizado de Enerpac.



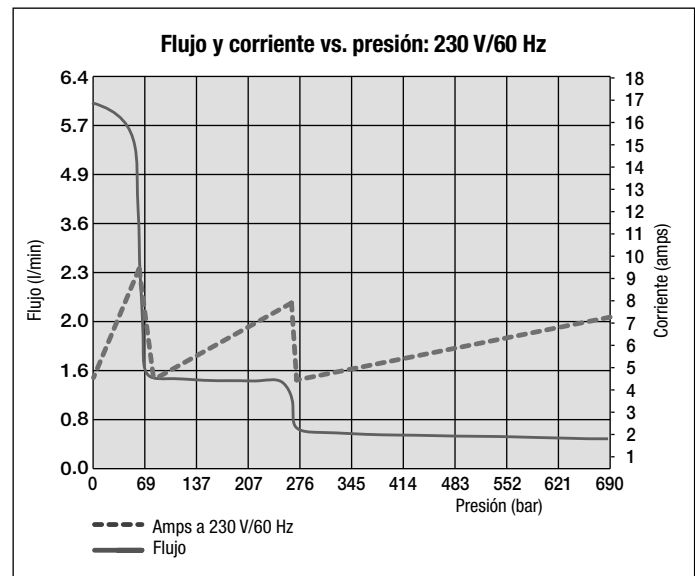
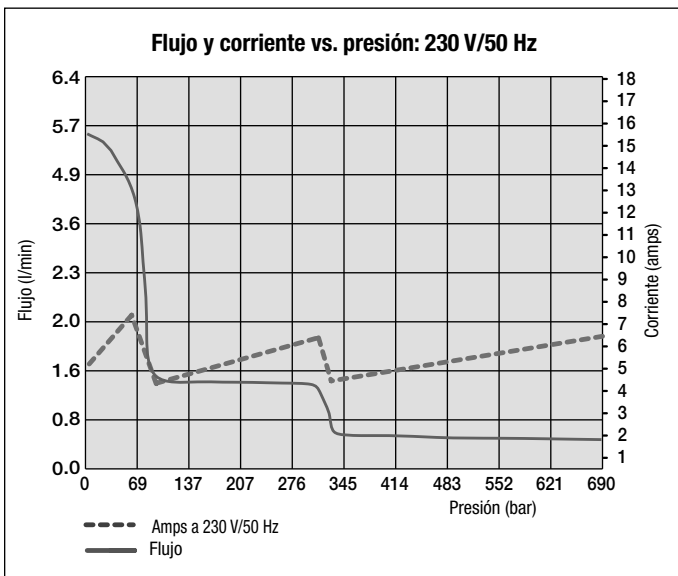
CUIDADO: Para prevenir posibles daños al motor eléctrico de la bomba, compruebe las especificaciones. El uso de una fuente incorrecta de energía puede dañar el motor.

3.0 DATOS DE PRODUCTO

3.1 Especificaciones

Modelo	Tamaño del motor	Presión máxima de funcionamiento	Especificaciones eléctricas del motor	Caudal de producción			Nivel de sonido	Rango de ajuste de la válvula de alivio	Peso aproximado sin aceite
	HP [kW]	psi [bar]	Voltios-Fase-Hz	1ª fase	2ª fase	3ª fase	dBA	psi [bar]	lbs. [kg]
TQ-700E	1.0 [0,75]	10,000 [700]	230-1-50	320 in ³ [5,25 l/min] a 100 psi [6,9 bar]	82 in ³ [1,34 l/min] a 4,300 psi [296 bar]	30 in ³ [0,49 l/min] a 10,000 psi [700 bar]	82-85	1,400-10,000 [140-700]	66 [30]
TQ-700I	1.0 [0,75]	10,000 [700]	230-1-60	380 in ³ [6,23 l/min] a 100 psi [6,9 bar]	98 in ³ [1,61 l/min] a 4,300 psi [296 bar]	38 in ³ [0,63 l/min] a 10,000 psi [700 bar]	75-79	1,400-10,000 [140-700]	66 [30]

3.2 Tablas de rendimiento



Nota: El consumo de corriente real variará según la aplicación.

4.0 INSTALACIÓN

Coloque la bomba de forma que no se vea obstruido el flujo de aire alrededor del motor y de la bomba. Mantenga limpio el motor para garantizar la máxima refrigeración durante su funcionamiento.

4.1 Conducto de aireación del depósito

Consulte la Figura 1. Hay un tapón de transporte (A) instalado en el puerto del conducto de aireación de la parte superior del depósito. Antes de utilizar la bomba, sustituya el tapón de transporte (A) por el conducto del depósito (B) y el conector del adaptador (C).

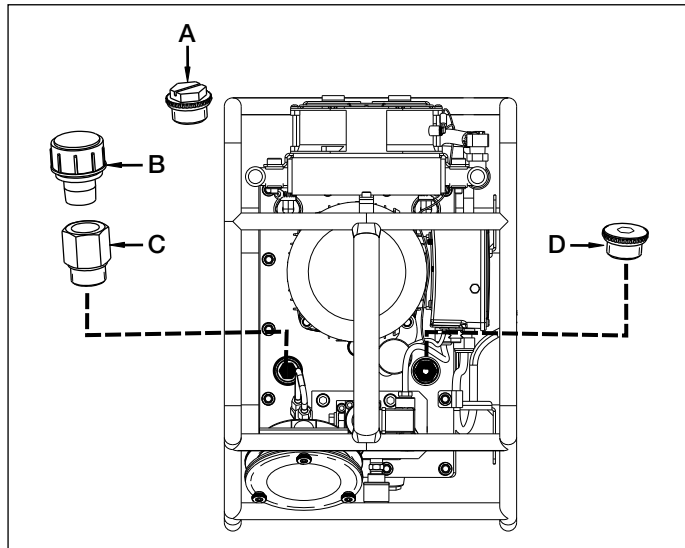


Figura 1 Conducto de aireación del depósito y tapón de llenado del aceite

4.2 Nivel de aceite

aceite alcanza la línea superior del indicador visual, como se indica en la Figura 2. Si es necesario, añada aceite quitando el tapón de llenado del aceite (D) del tubo de llenado, como se indica en la Figura 1. Utilice el aceite HF de Enerpac (de calidad ISO 32).

IMPORTANTE: Añada aceite sólo si los componentes del sistema están completamente replegados o el sistema contendrá más aceite de lo que el depósito puede contener. El nivel del aceite puede estar por encima de la línea superior del indicador, pero debe quedar al menos 1 pulgada [2,5 cm] por debajo de la parte inferior de la cubierta protectora de la bomba.

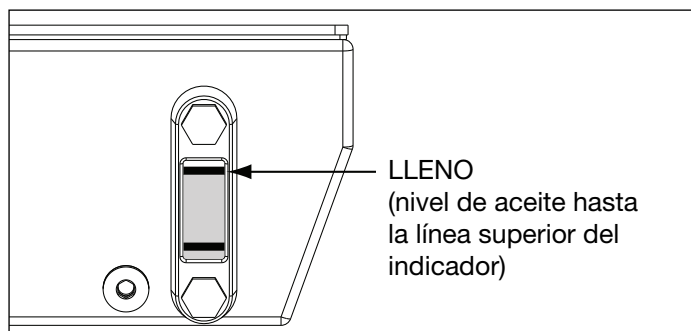


Figura 2, Indicador visual de aceite

4.3 Conexiones eléctricas



ADVERTENCIA: La bomba está equipada de fábrica con un enchufe eléctrico común para un determinado voltaje. La alteración del tipo de enchufe solo puede hacerla un electricista cualificado, cumpliendo con todos los códigos locales y nacionales correspondientes.

1. La protección del circuito en línea y de desconexión debe proporcionarla el cliente. La protección del circuito en línea debe ser 115% de la corriente a plena carga del motor a presión máxima de la aplicación.
2. Para obtener más información, consulte la placa de identificación de la bomba y/o la placa de identificación del motor para saber la potencia de salida. Consulte además la sección 3.2.

4.4 Conexiones hidráulicas

Las conexiones roscadas, como los conectores, deben estar apretados con firmeza y no tener fugas. Dé 1-1/2 vueltas de cinta Teflon (u otro sellante de rosca adecuado) en todas las roscas, sin colocar nada de cinta en la primera vuelta completa para garantizar que no entre materia extraña en el circuito hidráulico. Recorte los extremos sueltos.

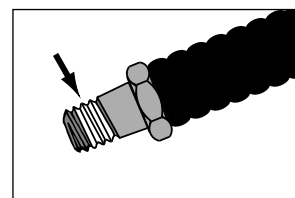


Figura 3. Sellante de la rosca

IMPORTANTE: Ponga especial cuidado para evitar que se introduzcan trozos de cinta en el sistema hidráulico.

Conectar las mangueras como se indica en las Figuras 4 y 5.

Utilice mangueras aprobadas para una presión de funcionamiento de 700 bar/10 000 psi. Los acopladores deben estar polarizados según la Figura 5 para operar correctamente una llave. Garantizar que los acopladores estén completamente colocados y ajustados antes de su funcionamiento. Un ajuste parcial de los acopladores no permitirá un funcionamiento adecuado de la llave..



ADVERTENCIA: Al utilizar bombas con conectores múltiples para llaves, garantizar que todos los acopladores no utilizados tengan las tapas de protección completamente instaladas antes de la puesta en marcha de la bomba.

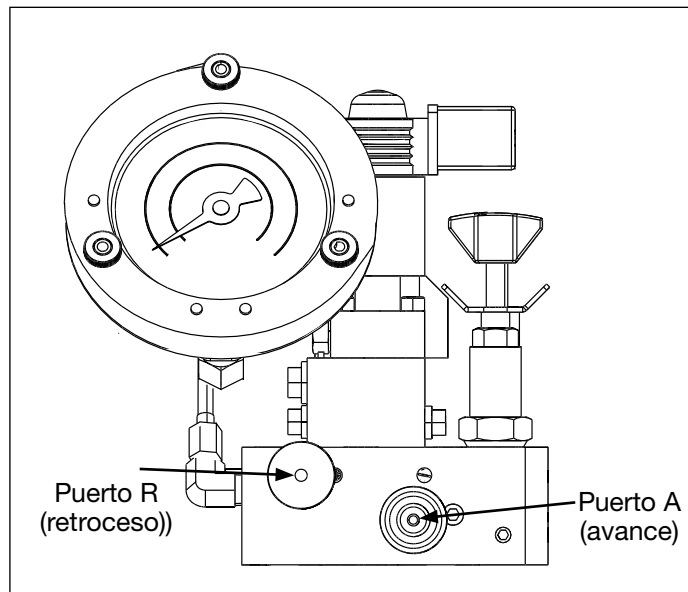


Figura 4, Conexiones de válvula

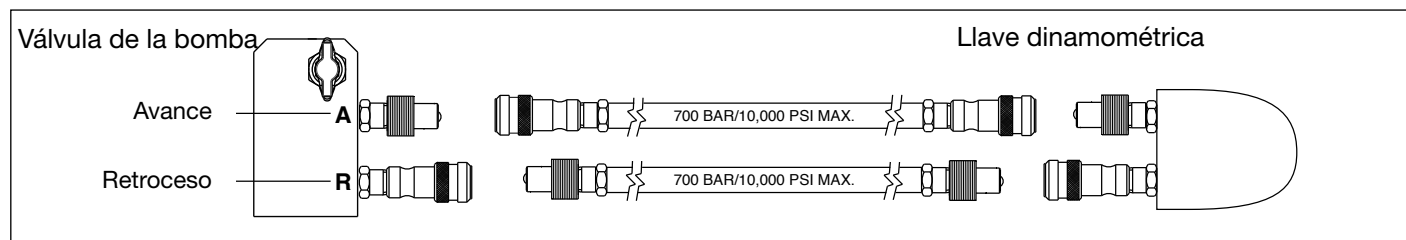


Figura 5 Detalles de la manguera (vista superior)

5.0 FUNCIONAMIENTO

5.1 Antes de poner en funcionamiento la bomba

1. Instale el conducto de aireación del depósito y compruebe el nivel del aceite, como se describe en las secciones 4.1 y 4.2.
2. Si se utiliza, instale una cobertura de la llave como se describe en la Sección 5.5.
3. Ajuste la presión (par) como ese describe en la Sección 5.6.
4. Conecte las mangueras hidráulicas tal y como se describe en la sección 4.4.

5.2 Controles del control remoto

Véase la Figura 6.

Botón "ON/ADV" del mando remoto:

Botón pulsado:

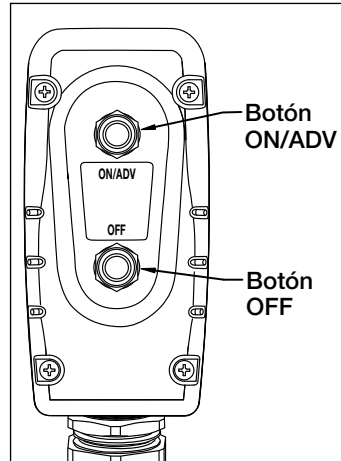
- Arranca el motor.
- La llave AVANZA durante el tiempo en que el botón está pulsado.

Se suelta el botón -

- RETROCEDE la llave.
- El motor continúa en marcha durante 20 segundos.

Botón "OFF" del mando remoto: Figura 6, Teclas del control remoto

El motor se detiene inmediatamente cuando se pulsa el botón(sin retardo).



5.3 Funcionamiento de la bomba

IMPORTANTE: En caso de ser posible, un solo usuario debe utilizar la llave dinamométrica y la bomba. De esta forma se podrá prevenir la activación accidental de la bomba mientras que el operario está colocando la llave.



ADVERTENCIA: En el siguiente paso, el motor de la bomba arrancará y la válvula se desplazará automáticamente, haciendo retroceder a la llave dinamométrica. Verifique que la llave dinamométrica está colocada en su sitio para evitar lesiones o daños al equipo antes de arrancar el motor.

1. Para arrancar la bomba, pulsar el botón "ON/ADV" del mando remoto. Véase la figura 6. El motor arrancará automáticamente y la llave comenzará su avance. La llave continuará avanzando durante el tiempo en que se pulsa el botón. El manómetro indicará la presión en el circuito de avance.
2. Liberar el botón "ON/ADV" para hacer retroceder la llave. Después de que el botón se libera, el manómetro mostrará la presión en el circuito de retroceso (derivación en puerto R), aproximadamente 173 - 193 bar [2500 - 2800 psi].
3. Pulsar el botón "OFF" para detener la bomba.

Nota: Si el botón "ON/ADV" no se pulsa durante 20 segundos seguidos, el temporizador integrado de la bomba apagará el motor automáticamente.

Nota: La primera vez que se conecta la llave a la bomba, el aire se retendrá en el circuito hidráulico. Extraiga el aire colocando la llave y las mangueras enderezadas por debajo de la bomba. Aplique la llave sin carga según sea necesario, hasta que avance y retroceda sin problemas.

5.4 Liberar la presión

Para liberar la presión hidráulica de la llave y las mangueras:

- Mantenga pulsado el botón "OFF". Véase la Figura 7.
- Mientras mantiene pulsado el botón "OFF", pulse y suelte el botón "ON/ADV" tres o más veces, hasta que el manómetro indique cero (0) psi/bar. Ahora se pueden retirar las mangueras.

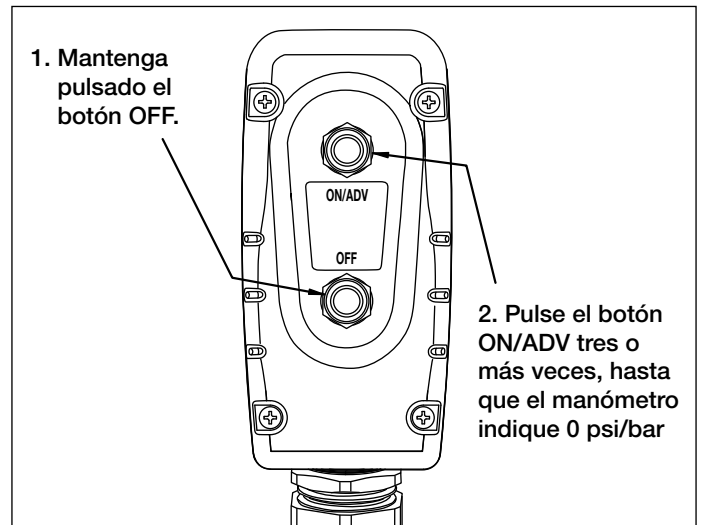


Figura 7, Liberación de presión (con los botones del mando remoto)

Si la presión no puede liberarse mediante los botones del mando remoto, pulse con firmeza el botón de anulación manual en la parte superior del conjunto de la válvula. Esto desplazará manualmente la bobina de la válvula y liberará la presión atrapada.

IMPORTANTE: El botón de anulación manual está pensado para un uso puntual, como en una caída eléctrica de tensión.

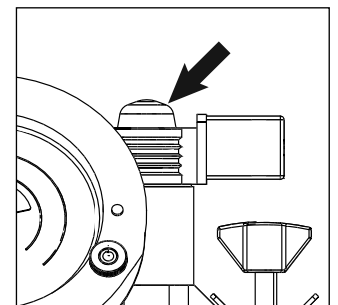


Figura 8, Botón de anulación manual (en la válvula)

5.5 Lámina de la llave del manómetro

Para mayor comodidad, se incluyen con la bomba las láminas superpuestas de llave para los modelos seleccionados de llaves dinamométricas de Enerpac.

Una lamina superpuesta de llave encaja sobre la esfera del manómetro y convierte fácilmente las lecturas de presión a lecturas de par de apriete. La lamina presenta unidades imperiales (lb-pies) en un lado y unidades métricas (Nm) en el otro. Para cambiar las escalas, simplemente dé vuelta la cobertura.



ADVERTENCIA: Cada lámina tiene un tamaño específico para SÓLO un modelo de llave dinamométrica de Enerpac. No utilice con otros modelos de llave.

Instale una lámina de llave como se describe en los siguientes pasos. Véase la Figura 9.

1. Retire el tornillo de fijación manual superior que fija la protección del indicador. Suelte, pero sin retirarlos del todo, los dos tornillos de fijación manual inferiores.
2. Coloque la lámina deseada en el soporte de la brida, de forma que se alinee la cobertura con las muescas del soporte.

IMPORTANTE: ACompruebe siempre que se instala la lámina correcta para la llave dinamométrica Enerpac en uso.

3. Una vez colocada la lámina, apriete los dos tornillos de fijación manual inferiores. Reinstale y apriete el tornillo de fijación manual superior.
4. Consulte las instrucciones de la llave dinamométrica para obtener la cantidad de presión necesaria con la que producir el par deseado. Tenga en cuenta que la presión máxima varía según llaves y accesorios.

IMPORTANTE: Consulte las instrucciones de la llave dinamométrica para obtener el procedimiento de funcionamiento de la llave y sus especificaciones.

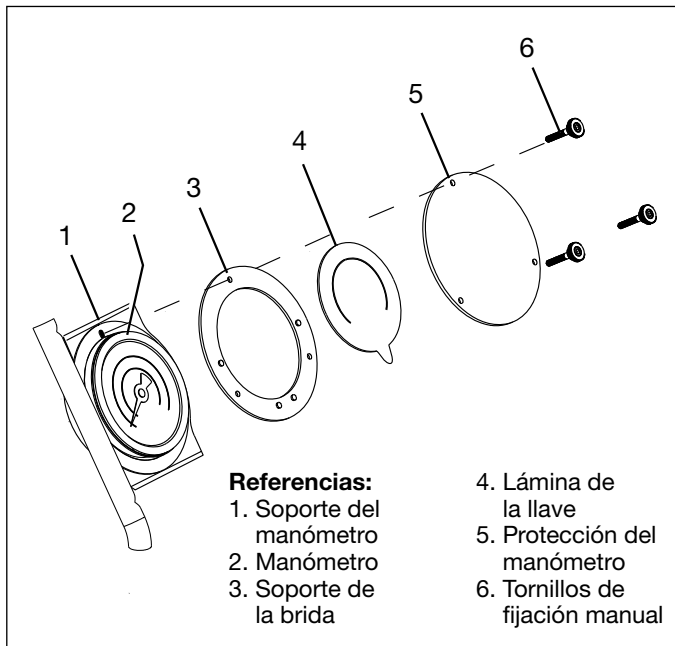


Figura 9, Lámina del manómetro

5.6 Ajuste de presión (par)

Para limitar la presión de avance sobre la llave del par, ajuste la presión como se indica en el siguiente procedimiento. Véase la Figura 10.



ADVERTENCIA: Ajuste el valor de presión de la bomba ANTES de colocar la llave dinamométrica en la cabeza del tornillo o tuerca. El ajuste de la presión de la bomba no debe estar por encima de la presión necesaria para proporcionar el par deseado para su aplicación. Si se supera el par de apriete necesario provocará daños en el equipo y podría ocasionar lesiones personales graves.

1. Desconecte las mangueras de los puertos "A" y "R" del colector de la válvula. Instale tapas metálicas de protección sobre los conectores.
2. Afloje la contratuerca de la válvula de alivio.
3. Gire la maneta de ajuste en sentido antihorario según sea necesario para evitar la acumulación de presión no deseada.
4. Mantenga pulsada la tecla "ON/ADV" del control remoto. El motor arranca y empieza a acumularse la presión en el circuito de avance de la toma A.
5. Mientras mantiene pulsada la tecla "ON/ADV" del control remoto, gire LENTAMENTE la maneta de la válvula de ajuste en sentido horario para aumentar la presión, o en sentido antihorario para reducir la presión.

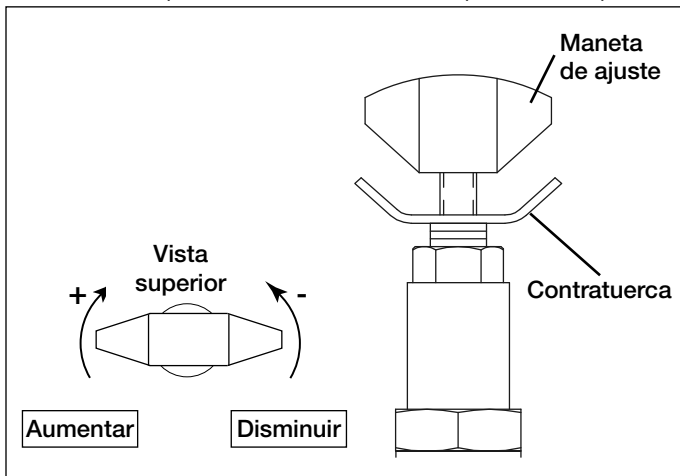


Figura 10, Ajuste de presión

6. Suelte el botón "ON/ADV" del control remoto para dejar que la presión del sistema vuelva al valor de retroceso del puerto R. El motor continuará funcionando.
7. Mantenga pulsado de nuevo el botón "ON/ADV" para volver a comprobar el valor de presión del circuito de avance. Compruebe que la presión deseada aparece en el manómetro.
8. Una vez alcanzado el valor de presión deseado, apriete la contratuerca de la válvula de alivio.

5.7 Interruptor automático

En la caja eléctrica de la bomba hay un interruptor automático accionable mediante pulsador.

Véase la Figura 11. En caso de una sobrecarga eléctrica, se disparará el interruptor automático.

Después de analizar y corregir la fuente de la sobrecarga, pulsar el botón del interruptor automático para su reajuste.

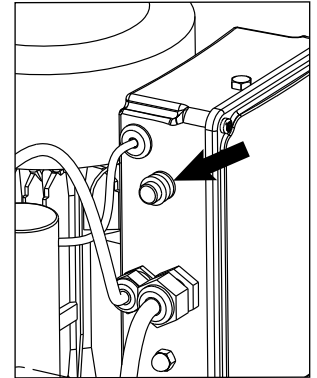


Figura 11, Interruptor automático

6.0 MANTENIMIENTO

Observe con frecuencia todos los componentes del sistema en busca de fugas o daños. Reparar o reemplazar los componentes dañados. Los componentes eléctricos, por ejemplo, el cable de energía, sólo pueden ser reparados o reemplazados por un electricista cualificado, cumpliendo con todos los códigos locales y nacionales correspondientes.



ADVERTENCIA: Desconecte la bomba de la alimentación antes de realizar cualquier mantenimiento o reparación.

6.1 Cambio del aceite y limpieza del depósito

El aceite Enerpac HF es de color azul brillante. Compruebe con frecuencia el estado del aceite para evitar que se contamine. Para ello, compare el aceite de la bomba con aceite nuevo de Enerpac. Por lo general, drene completamente y limpie el depósito cada 250 horas o con más frecuencia en caso de que se utilice en entornos con suciedad.

Nota: Para este procedimiento es necesario que extraiga la bomba del depósito. Trabaje en un banco limpio y retire el aceite usado según la legislación local.

Cambie el aceite y limpie el depósito como se describe en los siguientes pasos. Consulte la hoja de piezas de repuesto de la bomba para obtener la identificación de piezas y obtener detalles sobre el desmontaje/montaje.

1. Desenchufe el cable de alimentación de la bomba de la toma de alimentación eléctrica.
2. Retire el tapón de drenaje y drene todo el aceite del depósito en un contenedor adecuado. Limpie y vuelva a colocar el tapón de drenaje.
3. Retire los paneles izquierdo y derecho del armazón.
4. Desconecte las tuberías del indicador.

Nota: El aceite podría salir de las mangueras desconectadas en el próximo paso. Coloque un contenedor adecuado bajo los extremos de las mangueras para recuperar el aceite vertido.

5. Suelte las abrazaderas de las mangueras del enfriador de aceite en el depósito. Extraiga con cuidado las mangueras de los conectores con lengüetas.
6. Desenchufe del ventilador el cable del ventilador del enfriador. Desconecte el cable a tierra (verde) del tornillo de tierra del ventilador.
7. Retire los tornillos que fijan el depósito de la bomba al armazón. Retire la bomba del armazón.
8. Desensrosque el cable de alimentación de la bomba y el cable del mando remoto del soporte de almacenamiento del cable.
9. Retire los dos tornillos que fijan el soporte de almacenamiento del cable a la cubierta protectora de la bomba. Retire el soporte, las arandelas de sellado y las arandelas de cobre.

10. Retire los tornillos restantes y las arandelas de cobre alrededor del borde externo de la placa superior de la bomba.
11. Levante con cuidado y retire la bomba del depósito.
12. Limpie las superficies internas del depósito. Limpie completamente el depósito con un agente de limpieza adecuado



ADVERTENCIA: Siga las directrices del fabricante por lo que respecta a agentes de limpieza y disolventes. Lleve una protección de manos y ojos adecuada.

13. Retire los cinco tornillos de cabeza Allen que fijan el filtro reticular de admisión a la bomba de engranajes de primera fase. Tenga cuidado de no retirar la placa central y los engranajes.

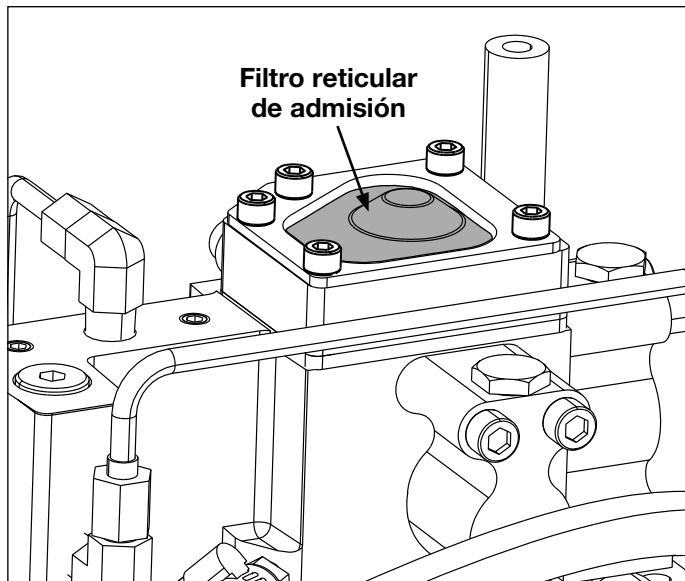


Figura 12, Filtro reticular de admisión

(Nota: la bomba se muestra retirada del depósito y cabeza abajo)

14. Retire el filtro reticular de admisión y límpielo con disolvente no inflamable. A continuación, seque el filtro con un secador.



ADVERTENCIA: Lleve protección adecuada para los ojos cuando use aire comprimido. No sobrepase los 30 psi durante la limpieza.

15. Vuelva a instalar el filtro reticular de admisión. Apriete los cinco tornillos de cabeza Allen a 75 pulgadas-libra [8,5 Nm].
16. Instale una nueva junta del depósito.
17. Vuelva a montar la bomba y el depósito, siguiendo los pasos 1 a 11 en sentido inverso.

Nota: Durante el montaje, apriete los elementos de fijación con los siguientes pares:

- **Tornillos que fijan la placa superior del depósito:** Aplique Loctite 243 a las roscas y apriete a 50-60 in-lb [5,6-6,7 Nm].
- **Tornillos del armazón:** Aplique Loctite 243 a las roscas y apriete a 120-140 in-lb [13,5-15,8 Nm].
- **Tornillos del panel lateral:** Aplique Loctite 243 a las roscas y apriete a 60-72 in-lb [6,7-8,1 Nm].

18. Rellene el depósito con aceite hidráulico HF de Enerpac (de calidad ISO 32). El depósito está lleno cuando el nivel de aceite se encuentra en la posición que se muestra en la Figura 2.

7.0 SOLUCIÓN DE PROBLEMAS (Vea la Guía de solución de problemas)

Sólo técnicos hidráulicos cualificados podrán realizar tareas de mantenimiento con los componentes de la bomba o el sistema. Una avería en el sistema podría o no ser el resultado de un funcionamiento defectuoso de la bomba. Para averiguar la causa del problema, el sistema deberá someterse a un completo procedimiento de diagnóstico.

La información que se presenta en la guía de solución de problemas está pensada para utilizarse únicamente como ayuda a la hora de determinar si existe un problema. Para servicio de reparación, contacte con su centro de servicio técnico autorizado Enerpac.

Guía de solución de problemas		
Problema	Posible causa	Acción
La bomba no arranca cuando se pulsa el botón "ON/ADV".	No hay alimentación.	Conecte la alimentación.
	Cable de alimentación dañado.	Asegúrese de que el cable de alimentación no está dañado.
	El interruptor automático se ha disparado.	Empuje el interruptor automático de la bomba para reiniciar.
	Voltaje bajo.	Apague las otras cargas eléctricas. Use un cable alargador del indicador con mayor voltaje.
	Control remoto dañado.	Repare el control remoto. Consulte con el servicio técnico autorizado.
El motor se detiene en carga.	Voltaje bajo.	Empuje el interruptor automático para reiniciar (si se ha disparado). Apague las otras cargas eléctricas. Use un cable alargador del indicador con mayor voltaje.
	Aceite frío.	Empuje el interruptor automático para reiniciar (si se ha disparado). Ponga en funcionamiento la bomba a 2000 psi [140 bar] durante 5 minutos para calentar el aceite antes de utilizar la bomba. Utilice aceite LX de Enerpac (de calidad ISO 15) en climas fríos.

(continúa en la página siguiente)

Guía de solución de problemas (continúa)

Problema	Posible causa	Acción
Funcionamiento con ruido.	Hay aire en el sistema hidráulico.	Descargue el aire del sistema hidráulico.
	Conducto de aireación del depósito no instalado.	Retire el tapón de transporte e instale un conducto de aireación, como se indica en la Sección 4.1.
	Nivel de aceite bajo.	Asegúrese de que el depósito de aceite se llena hasta el nivel normal. Añada aceite según la sección 4.2.
	Entra aire en el sistema.	Compruebe todos los puntos donde pueda entrar aire en el sistema. Apriete los conectores y/o haga las reparaciones necesarias.
	Filtro reticular de admisión obstruido.	Limpie el filtro reticular de admisión.
La válvula eléctrica no funciona.	No hay energía para la bomba o voltaje erróneo.	Conecte la fuente de energía correcta según la placa de identificación de la bomba.
	El cable del solenoide está desconectado o dañado.	Conecte, repare o sustituya el cable.
	La bobina del solenoide no funciona.	Consulte con el servicio técnico autorizado..
La bomba funciona, pero no bombea aceite. o La bomba no se presuriza del todo.	La bomba no se ceba.	Ponga en funcionamiento la bomba durante unos minutos mientras la mueve ligeramente de lado a lado.
	Conducto de aireación del depósito no instalado.	Retire el tapón de transporte e instale un conducto de aireación, como se indica en la Sección 4.1.
	Nivel de aceite bajo.	Añada aceite según la sección 4.2.
	Presión de la válvula de alivio con ajuste demasiado bajo.	Ajuste según la sección 5.6.
	External system leak.	Compruebe y repare o sustituya las piezas que lo necesiten.
	Filtro reticular de admisión obstruido.	Limpie el filtro reticular de admisión.
	Fuga interna en la bomba.	Consulte con el servicio técnico autorizado.
	Fuga interna en la válvula.	
Fuga interna en un componente del sistema.		
La bomba crea presión total, pero la llave dinamométrica no avanza.	Par de apriete mayor que la capacidad de la llave a presión total.	Utilice una llave dinamométrica con mayor capacidad.
	Flujo de avance a la llave restringido o bloqueado.	Compruebe que los acopladores estén bien acoplados según la Sección 4.4.
La llave dinamométrica no retrocede.	Línea de flujo de retorno de la llave restringida o bloqueada.	Compruebe que los acopladores estén bien acoplados según la Sección 4.4.
	Funcionamiento defectuoso de la válvula.	Consulte con el servicio técnico autorizado.
El manómetro no tiene una lectura de cero (0) psi/bar con el motor de la bomba detenido.	Presión no liberada.	Despresurice según la Sección 5.4.
	El manómetro no está calibrado.	Acuda a unas instalaciones calificadas para que recalibren el manómetro.
La bomba se recalienta.	Flujo de avance o retroceso restringido.	Compruebe que los acopladores estén bien acoplados según la Sección 4.4
	Nivel de aceite bajo.	Añada aceite según la sección 4.2.
	El ventilador del enfriador de aceite no funciona.	Compruebe que el ventilador del enfriador de aceite funciona correctamente.
	El intercambiador de calor del enfriador de aceite está cubierto de suciedad o está obstruido.	Retire la suciedad de las aletas del enfriador de aceite y del ventilador. Compruebe si hay obstrucciones en las tuberías del enfriador de aceite.

L3060 Rev. B 08/12

Reparatie/Onderdelenlijsten voor deze producten zijn te downloaden van de Enerpac Website www.enerpac.com of verkrijgbaar via uw Enerpac Service Centre of vertegenwoordiger.

1.0 BELANGRIJKE INSTRUCTIES BIJ ONTVANGST

Controleer visueel alle onderdelen op schade opgelopen tijdens de verzending. Schade opgelopen tijdens de verzending wordt niet door de garantie gedekt. Als schade opgelopen tijdens de verzending wordt gevonden, de transporteur hier onmiddellijk van op de hoogte stellen. De transporteur is verantwoordelijk voor alle reparatie- of vervangingskosten als gevolg van opgelopen schade tijdens de verzending.

VEILIGHEID VOOROP

2.0 VEILIGHEIDSKWESTIES



Lees nauwkeurig alle instructies, waarschuwingen en let op-gedeelten. Volg alle veiligheidsvoorzieningen om persoonlijk letsel of schade aan eigendom te voorkomen als het systeem in werking is. Enerpac kan niet verantwoordelijk worden gesteld voor schade of letsels als gevolg van onveilig gebruik van dit product, gebrek aan onderhoud, of onjuiste toepassing van het product of het systeem. Neem contact op met Enerpac mocht u twijfels hebben over veiligheidsvoorzieningen en werkingen. Als u nooit een opleiding in hogedruk hydraulische veiligheid hebt gevolgd neem dan contact op met uw verdeel- of servicecentrum voor een gratis veiligheidskursus van Enerpac Hydraulic.

Het niet volgen van deze waarschuwingsboodschappen en voorzorgsmaatregelen kan schade aan de machine en persoonlijk letsel veroorzaken.

LET OP wordt gebruikt om correcte bedienings- en onderhoudsprocedures en praktijken aan te duiden om schade aan, of vernietiging van, machines of andere eigendom te voorkomen.

WAARSCHUWING wijst op een mogelijk gevaar dat de juiste procedures en praktijken vereist om persoonlijk letsel te voorkomen.

GEVAAR wordt enkel gebruikt als uw actie of gebrek aan actie ernstig letsel of zelfs de dood tot gevolg kan hebben.



WAARSCHUWING: Draag de juiste persoonlijke beschermende kleding bij het werken met hydraulische machines.



WAARSCHUWING: Blijf uit de buurt van ladingen die hydraulisch worden ondersteund. Een cilinder die wordt gebruikt als een hefinrichting mag nooit worden gebruikt als een lasthouder. Nadat de lading omhoog of omlaag is gebracht, moet deze altijd mechanisch worden geblokkeerd.



WAARSCHUWING: GEBRUIK ENKEL STIJVE MATERIALEN OM DE LADINGEN VAST TE HOUDEN.

Kies met zorg stalen of houten blokken die een lading kunnen ondersteunen. Gebruik nooit een hydraulische cilinder als een pakkingschijf of een afstandstuk in enige toepassing waarbij opheffen of drukken wordt gebruikt.



GEVAAR: Om persoonlijk letsel te voorkomen, handen en voeten weghouden van de cilinder en het werkstuk tijdens de bediening.



WAARSCHUWING: De bedieningsdruk van het systeem mag de nominale drukwaarde van het onderdeel met de laagste waarde in het systeem niet overschrijden. Installeer manometers in het systeem om de bedieningsdruk te controleren. Op die manier weet u wat er in het systeem gebeurt.



LET OP: De hydraulische slang niet beschadigen. Vermijd ombuigen en knikken bij het aanbrengen van de hydraulische slangen. Een gebogen of geknikte slang gebruiken kan ernstige tegendruk van de afvoerstroam veroorzaken. Scherpe ombuigingen en knikken beschadigen de slang aan de binnenkant wat tot vroegtijdig falen van de slang kan leiden.



Geen zware objecten op de slang laten vallen. Een scherpe impact kan interne schade aan de draadvezels van de slang veroorzaken. Druk uitoefenen op een slang die beschadigd is, kan scheuren van de slang tot gevolg hebben.



BELANGRIJK: : Hydraulische machines niet bij de slangen of de koppelingen optillen. Gebruik de draaghandgreep of een ander middel om de machine veilig te transporteren.



LET OP: Houd de hydraulische machine weg van vlammen en hitte. Buitenmatige hitte verzacht de pakkingen en afdichtingen wat tot vloeistofflekken kan leiden. Hitte verzwakt ook slangmaterialen en pakkingen. Voor optimale prestaties de machines niet blootstellen aan temperaturen van 65°C (150°F) of hoger. Bescherm slangen en cilinders tegen lasspeters.



GEVAAR: Slangen die onder druk staan, niet aanraken. Als olie die onder druk staat ontsnapt, kan het door de huid dringen wat ernstige letsel kan veroorzaken. Als olie onder de huid wordt geïnjecteerd, onmiddellijk een arts raadplegen.



WAARSCHUWING: Gebruik alleen hydraulische momentsleutel op een gekoppeld systeem. Een momentsleutel moet nooit op niet-aangesloten koppelingen worden gebruikt. Wanneer de torsiesleutel overmatig wordt belast, kunnen onderdelen ervan op noodlottige wijze falen, wat ernstig persoonlijk letsel kan veroorzaken.



BELANGRIJK: Hydraulische machines mogen enkel door een bevoegd hydraulisch technicus van onderhoud worden voorzien. Voor reparaties dient u contact op te nemen met een nabijgelegen bevoegd ENERPAC servicecentrum. Om uw garantie te beschermen, enkel ENERPAC olie gebruiken.



WAARSCHUWING: Versleten of beschadigde onderdelen onmiddellijk met authentieke ENERPAC onderdelen vervangen. Standaardonderdelen breken, wat tot persoonlijk letsel en schade aan eigendom kan leiden. ENERPAC onderdelen zijn zodanig ontworpen dat ze precies passen en hoge ladingen kunnen weerstaan.



WAARSCHUWING: Gebruik elektrische pompen niet in explosiegevaarlijke omgevingen. Houd u aan de plaatselijke en nationale regelgeving voor elektrische toepassingen. Installatie- en modificatiewerkzaamheden dienen te worden uitgevoerd door een erkende elektromonteur.



WAARSCHUWING: Houd uw handen uit de buurt van bewegende delen en drukslangen.



WAARSCHUWING: Deze pompen zijn voorzien van door de fabriek ingestelde ontlastkleppen die uitsluitend mogen worden gerepareerd of afgesteld door een erkend Enerpac Service Center.



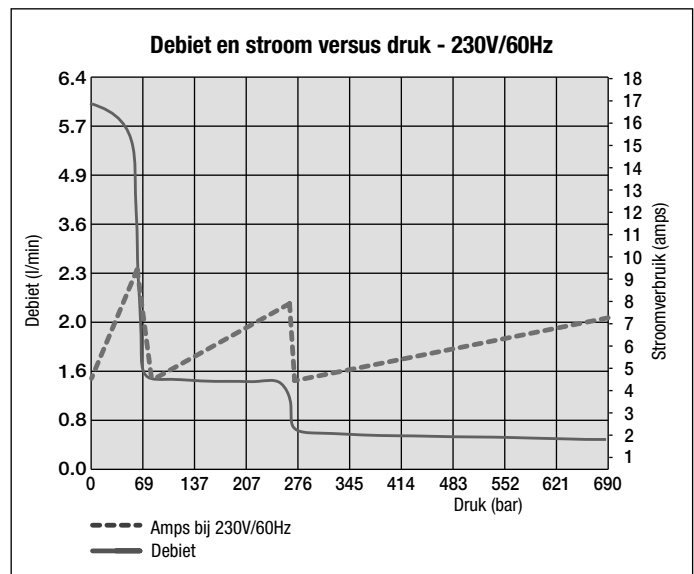
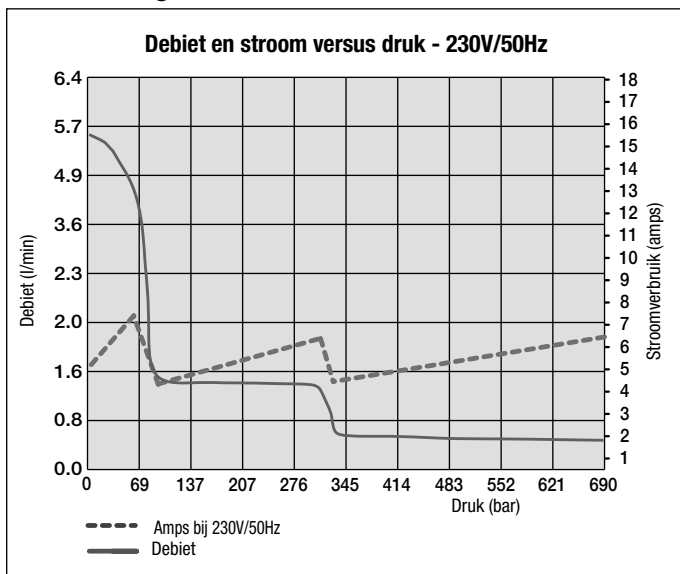
LET OP: Controleer de specificaties op het typeplaatje van de motor om schade aan de elektromotor van de pomp te voorkomen. Het gebruik van een onjuist voltage zal de motor beschadigen.

3.0 PRODUCTGEGEVENS

3.1 Specificaties

Model	Motorvermogen	Maximale werkdruk	Motor elektrische specificaties	Olieopbrengst			Geluidsniveau	Instelbare drukbegrenzingsklep	Gewicht zonder olie
	HP [kW]	psi [bar]	Volts-fase-Hz	1e trap	2e trap	3e trap	dBA	psi [bar]	lbs. [kg]
TQ-700E	1.0 [0,75]	10,000 [700]	230-1-50	5,25 l/min [320 in ³] bij 6,9 bar [100 psi]	1,34 l/min [82 in ³] bij 296 bar [4.300 psi]	0,49 l/min [30 in ³] bij 700 bar [10.000 psi]	82-85	1,400-10,000 [140-700]	66 [30]
TQ-700I	1.0 [0,75]	10,000 [700]	230-1-60	6,23 l/min [380 in ³] bij 6,9 bar [100 psi]	1,61 l/min [98 in ³] bij 258 bar [3.750 psi]	0,63 l/min [38 in ³] bij 700 bar [10.000 psi]	75-79	1,400-10,000 [140-700]	66 [30]

3.2 Prestatiegrafieken



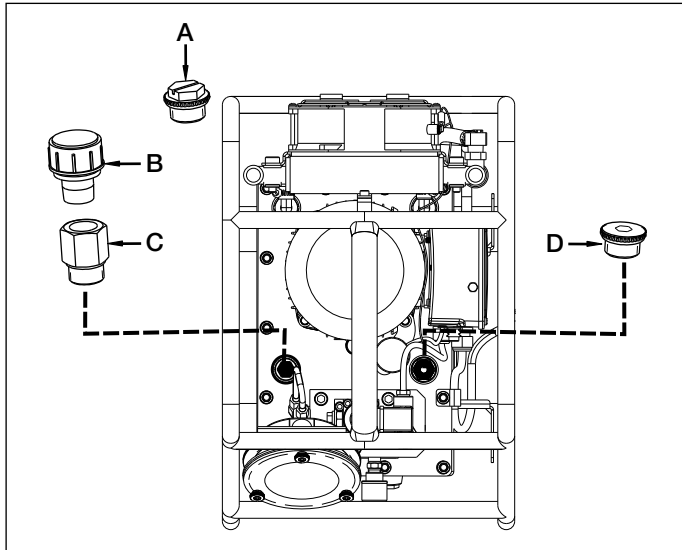
Opmerking: Het werkelijke stroomverbruik zal variëren, afhankelijk van de toepassing.

4.0 INSTALLATIE

Plaats de pomp op een zodanige wijze dat u er zeker van bent dat de luchtstroming rondom de motor en pomp niet wordt belemmerd. Houd de motor schoon om tijdens de werking voor maximale afkoeling te zorgen.

4.1 Reservoir ontluchttingsdop

Zie Figuur 1. Voor de verzending is er een dop (A) in de ontluchttingspoort bovenop het reservoir geïnstalleerd. Voordat u de pomp gebruikt, vervang de transportdop (A) door de ontluchttingsdop (B) van het reservoir en de adapterfitting (C)..

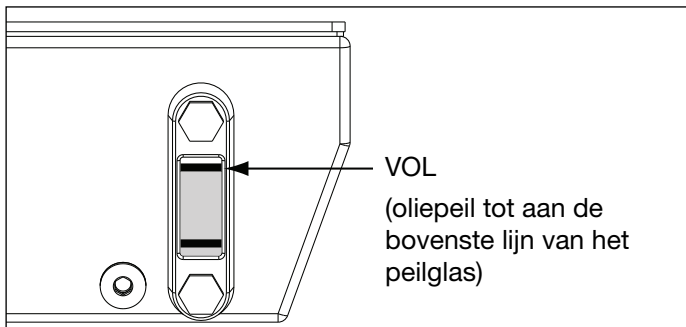


Figuur 1, Reservoir ontluchttingsdop en olievludop

4.2 Oliepeil

Controleer het oliepeil van de pomp vóór het opstarten. Het reservoir is vol wanneer het oliepeil tot aan de bovenste lijn van het kijkglas staat, zoals weergegeven in Figuur 2. Indien nodig, vul olie bij door de olievludop (D) te verwijderen van de vulbuis, zoals weergegeven in Figuur 1. Gebruik Enerpac HF olie (ISO kwaliteit 32).

BELANGRIJK: Vul alleen olie bij wanneer alle systeemonderdelen volledig ingetrokken zijn; anders bevat het systeem meer olie dan het reservoir kan bevatten. Het oliepeil kan boven de hoogste lijn van het peilglas staan, maar moet minstens 2,5 cm [1 duim] blijven onder de onderkant van de dekplaat van de pomp.



Figuur 2, Oliepeilglas

4.3 Elektrische aansluitingen

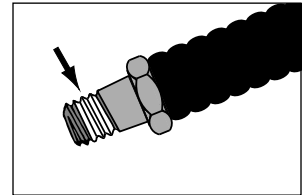


WAARSCHUWING: De pomp is standaard uitgerust met de gewone elektrische stekker voor een bepaalde spanning. Het wijzigen van het stekkertype mag alleen worden uitgevoerd door een bevoegde elektricien volgens lokale en nationale codes en normen.

1. De beveiliging van de ont koppeling en het leidingcircuit dienen te worden voorzien door de klant. Elektrische beveiliging moet 115% procent van de stroom bij volledige belasting bedragen bij maximale druk van de toepassing.
2. Voor meer informatie, zie typeplaatje van de pomp en/of het typeplaatje van de motor voor het nominaal vermogen. Zie ook Sectie 3.2.

4.4 Hydraulische aansluitingen

Schroefdraadverbindingen, zoals fittingen, moeten stevig worden aangedraaid en lekvrij zijn. Gebruik 1-1/2 wikkelingen met teflontape (of een geschikt draadafdichtmiddel) op alle draadgangen, waarbij de eerste volledige draadgang zonder tape blijft om ervoor te zorgen dat geen vreemd materiaal in het hydraulische circuit terecht komen. Knip de losse eindjes af.



Figuur 3, Schroefdraadafdichting

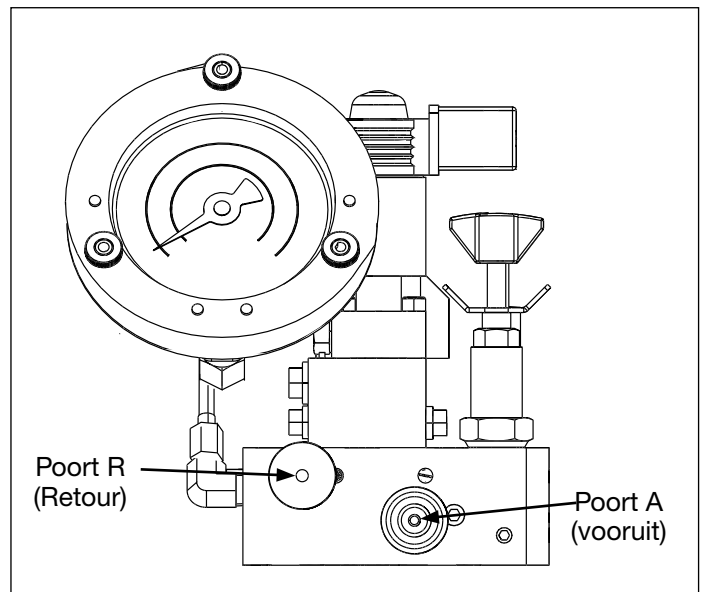
BELANGRIJK: Wees voorzichtig zodat geen stukjes tape in het hydraulische systeem terecht komen.

Sluit de slangen aan zoals in de Figuren 4 en 5 wordt getoond.

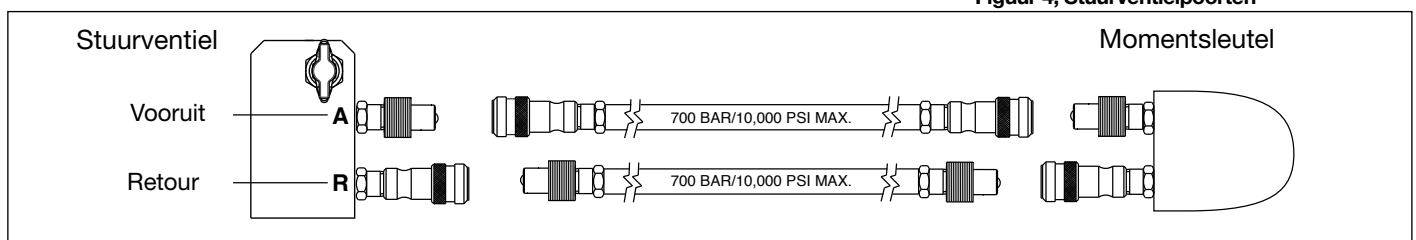
Gebruik slangen met een werkdruk van 700 bar/10.000 psi. Voor de juiste momentsleutelwerking moeten de koppelingen gepolariseerd zijn zoals afgebeeld in figuur 5. Zorg er vóór gebruik voor dat de koppelingen volledig aangesloten en vastgedraaid zijn. Bij niet volledige verbinding van de koppelingen werkt de momentsleutel niet.



WAARSCHUWING: Bij gebruik van pompen met manifolds voor meerdere momentsleutels, moet u ervoor zorgen dat de beschermkappen volledig op de niet gebruikte koppelingen zijn aangebracht voordat de pomp begint te werken.



Figuur 4, Stuurventielpoorten



Figuur 5, Slangaansluitingen (bovenaanzicht)

5.0 WERKING

5.1 Vóór gebruik van de pomp

1. Installeer de ontluichtingsdop op het reservoir en controleer het oliepeil, zoals beschreven in de Secties 4.1 en 4.2.
2. Indien gebruikt, installeer de verwisselbare momentsleutel-schaalverdeling zoals beschreven in Sectie 5.5.
3. Voer de hydraulische druk (moment) instelling uit zoals beschreven in Sectie 5.6.
4. Sluit de hydraulische slangen aan zoals beschreven in Sectie 4.4.

5.2 Afstandbediening

Zie figuur 6.

“AAN/ADV” knop:

Knop ingedrukt -

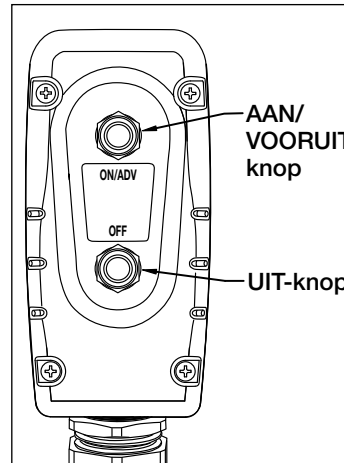
- Motor start.
- Momentsleutel GAAT VOORUIT zolang de knop ingedrukt blijft.

Knop losgelaten -

- Sleutel GAAT ACHTERUIT.
- Motor blijft draaien gedurende 20 seconden

“UIT” knop:

Motor stopt zodra de knop wordt ingedrukt.
(geen vertraging)



Figuur 6, Afstandbedieningsknoppen

5.3 Pompwerking

BELANGRIJK: Indien mogelijk mag slechts één gebruiker de momentsleutel en pomp bedienen. Dit kan onopzettelijke activering van de pomp voorkomen terwijl de operator bezig is met het plaatsen van de sleutel.



WAARSCHUWING: In de volgende stap zal de pompmotor starten en de klep automatisch verschuiven, en de momentsleutel terugtrekken. Verifieer voordat de motor wordt gestart dat de momentsleutel zodanig geplaatst is, dat letsel of apparatuurschade wordt vermeden.

1. Om de pomp te starten drukt u op de groene “AAN/VOORUIT”-knop op de afstandbediening. Zie figuur 6. De motor start automatisch, en de sleutel begint vooruit te bewegen. Zo lang de groene knop ingedrukt wordt gehouden, gaat de sleutel vooruit. De manometer zal de hydraulische druk in het vooruitcircuit weergeven.
2. Laat de knop “AAN/VOORUIT” los om de sleutel in te trekken. Nadat de knop wordt losgelaten, zal de manometer de druk weergeven in het achteruitcircuit (R-poort bypass), circa 173 -193 bar [2500-2800 psi].
3. Druk op de knop “UIT” om de pomp te stoppen.

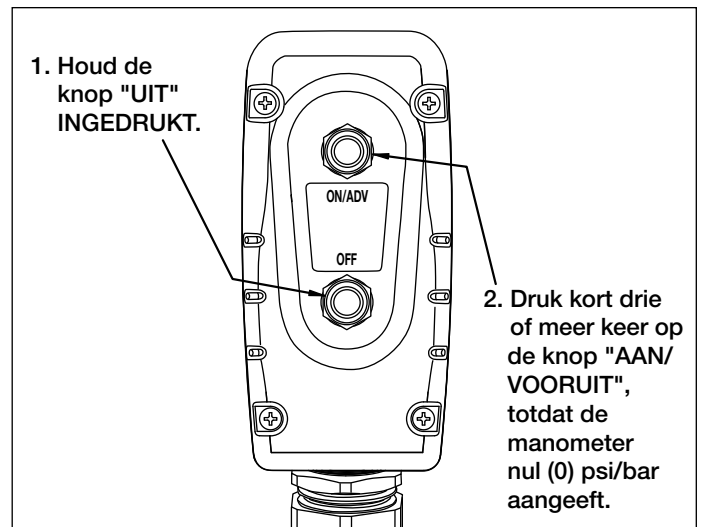
Opmerking: Indien gedurende een ononderbroken periode van 20 seconden de “AAN/VOORUIT” knop niet wordt ingedrukt, schakelt de ingebouwde timer van de pomp de motor automatisch uit.

Opmerking: Wanneer de sleutel de eerste keer op de pomp wordt aangesloten, zal er lucht in het hydraulische circuit opgesloten zitten. Verwijder de lucht door de sleutel en rechtgetrokken slangen onder de pomp te plaatsen. Gebruik de sleutel zonder belasting totdat hij vooruit en achteruit gaat zonder hapering.

5.4 Druk verwijderen

Om hydraulische druk op de sleutel en slangen weg te nemen::

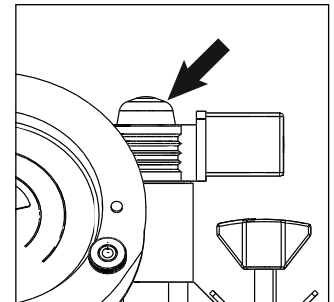
- Houd de knop “UIT” ingedrukt. Zie Figuur 7.
- Terwijl u de knop “UIT” ingedrukt houdt, drukt u kort drie of meer keer op de knop “AAN/VOORUIT”, totdat de manometer nul (0) psi/bar aangeeft. De slangen kunnen nu worden verwijderd.



Figuur 7, Verwijderen van druk (met behulp van afstandbediening)

Als de druk niet kan worden verwijderd met behulp van de afstandbediening, druk dan stevig op de handmatige uitschakelknop bovenop het stuurventiel. Dit zal handmatig de schuif in het stuurventiel bewegen waardoor de opgesloten druk wordt weggenomen.

BELANGRIJK: De handmatige uitschakelknop is bedoeld voor incidenteel gebruik, zoals tijdens een stroomstoring.



Figuur 8, Handmatige uitschakelknop (op de klep)

5.5 Manometer met verwisselbare momentsleutel-schaalverdelingen

Voor uw gemak zijn verwisselbare momentsleutel-schaalverdelingen voor geselecteerde Enerpac momentsleutelmodellen meegeleverd met de pomp.

Een momentsleutel-schaalverdeling past over de schaalverdeling van de manometer, en zet de drukaflezings gemakkelijk om in momentaflezings. Het verwisselbare schaalverdeling heeft Engelse eenheden (ft/lbs.) aan de ene kant, en metrische eenheden (Nm) aan de andere. Om van Ft.lbs aflezings naar Nm te wisselen draait u schaalverdeling om.



WAARSCHUWING: Elke verwisselbare schaalverdeling is UITSLUITEND op maat gemaakt voor een specifieke Enerpac-momentsleutel. Mag niet op andere sleutelmodellen worden gebruikt.

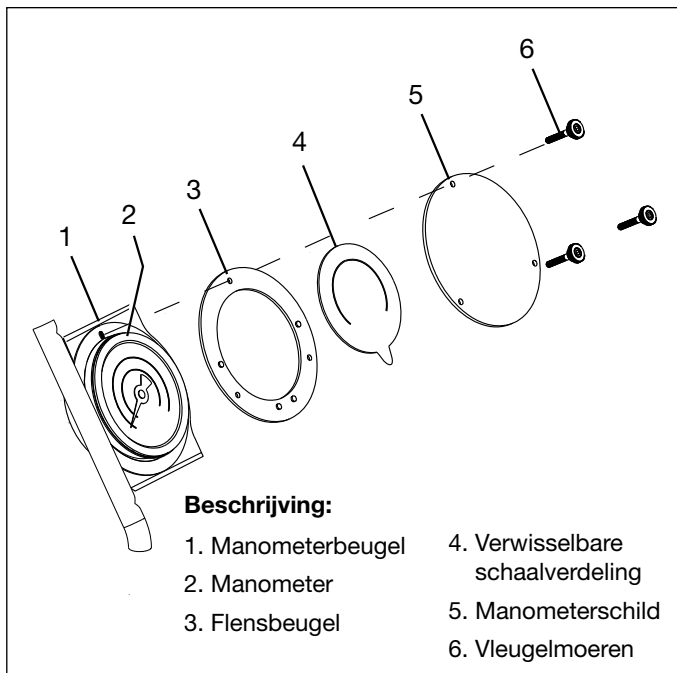
Plaats een verwisselbare schaalverdeling zoals beschreven in de volgende stappen. Zie Figuur 9.

1. Verwijder de bovenste vleugelmoer die de schaalverdeling vasthoud. Draai los, maar verwijder de onderste twee vleugelmoeren niet.
2. Plaats de gewenste schaalverdeling op de flensbeugel, waarbij de schaalverdeling met de inkeping op de beugel wordt uitgelijnd.

BELANGRIJK: V Verifieer altijd dat de juiste schaalverdeling is geïnstalleerd voor de Enerpac momentsleutel die wordt gebruikt.

3. Nadat de schaalverdeling op zijn plaats zit, draai de onderste twee vleugelmoeren aan. Installeer de bovenste vleugelmoer opnieuw en draai ze aan.
4. Zie de instructies voor de momentsleutel voor de vereiste hydraulische druk om het gewenste aanhaalmoment te verkrijgen. Let erop dat de maximale druk voor de verschillende sleutels en accessoires varieert.

BELANGRIJK: VRaadpleeg de instructies voor de momentsleutel voor de sleutelwerkingprocedure en specificaties.



Figuur 9, Verwisselbare momentsleutel-schaalverdeling

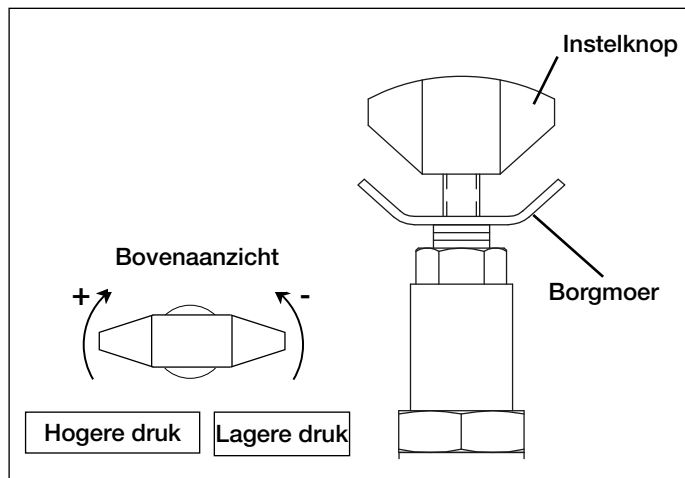
5.6 Druk (moment)-instelling

De vooruitdruk op de momentsleutel kan worden beperkt door de drukinstelling te regelen zoals beschreven in de volgende procedure. Zie Figuur 10.



WAARSCHUWING: Pas de pompdrukinstelling aan VOORDAT de momentsleutel op de moer- of boutkop wordt geplaatst. De pompdrukinstelling mag niet boven de druk liggen die nodig is om het vereiste koppel te leveren voor uw toepassing. Het vereiste koppel overschrijden heeft schade aan de apparatuur tot gevolg en kan tot ernstig persoonlijk letsel leiden.

1. Koppel slangen van klepverdeelstuk "A" en "R"-poorten los. Installeer metalen beschermkappen op de fittingen.
2. Draai de borgmoer van de instelbare drukbegrenzingsklep los.
3. Draai de instelknop linksom zoals vereist, om onbedoelde drukopbouw te voorkomen.
4. Houd de afstandbedieningsknop "AAN/VOORUIT" ingedrukt. De motor start en druk begint op te bouwen in het vooruitcircuit van de A-poort.
5. Terwijl de afstandbedieningsknop "AAN/VOORUIT" ingedrukt blijft, LANGZAAM de instelknop rechtsom draaien om de drukinstelling te verhogen of linksom om de drukinstelling te verlagen.



Figuur 10, Instelling drukbegrenzingsklep

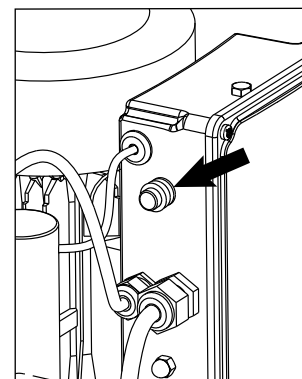
6. Laat de afstandbedieningsknop "AAN/VOORUIT" los om de systeemdruk naar de R-poort (retour) terug te keren. De motor blijft draaien.
7. Houd de pendelknop "AAN/VOORUIT" opnieuw ingedrukt om de vooruitcircuit-drukinstelling te controleren. Controleer of de gewenste druk is aangegeven op de manometer.
8. Nadat de gewenste drukinstelling is verkregen, draai de borgmoer van de drukbegrenzingsklep vast.

5.7 Stroomonderbreker

Een stroomonderbreker in de vorm van een drukknop bevindt zich op de pompschakelkast.

Zie Figuur 11. In het geval van een elektrische overbelasting, schakelt de stroomonderbreker uit.

Na onderzoek en correctie van de oorzaak van de overbelasting, druk op de stroomonderbrekerknop om te resetten.



Figuur 11, Stroomonderbreker

6.0 ONDERHOUD

Inspecteer alle systeemonderdelen regelmatig op lekken of schade. Repareer of vervang beschadigde onderdelen. Elektrische onderdelen, zoals het netsnoer mogen alleen worden gerepareerd of vervangen door een bevoegd elektricien, met naleving van alle gebruikelijke lokale en nationale normen codes.



WAARSCHUWING: Koppel de pomp los van de stroomvoorziening voordat u onderhoud of reparaties uitvoert.

6.1 Olie verversen en reservoir reinigen

Enerpac HF-olie heeft een helderblauwe kleur. Controleer de conditie van de olie regelmatig op verontreiniging door de olie van de pomp te vergelijken met verse Enerpac-olie. Over het algemeen moet het reservoir om de 250 uur volledig worden afgetapt en gereinigd, of vaker wanneer in vuile omgevingen wordt gewerkt.

Opmerking: Deze procedure vereist dat u de pomp uit het reservoir verwijdert. Werk op een schone werkbank en voer de gebruikte olie volgens de plaatselijke codes af.

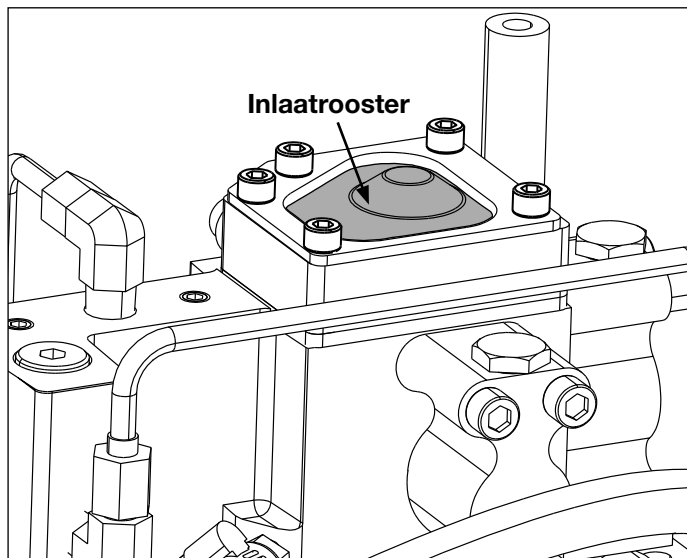
Vervang olie en reinig het reservoir zoals beschreven in de volgende stappen. Raadpleeg het blad met de pomp reparatieonderdelen voor identificatie van onderdelen en demontage/montagedetails.

1. Trek het netsnoer van de pomp uit het stopcontact.
 2. Verwijder de aftapdop en verwijder alle olie uit het reservoir in een gepaste opvangbak. Reinig en installeer de aftapdop opnieuw.
 3. Verwijder linker en rechter zijpanelen van het buisframe.
 4. Ontkoppel de leiding van de manometer.
- Opmerking:** Olie kan tijdens de volgende stap wegvloeien uit losgekoppelde slangen. Plaats een geschikte opvangbak onder de slanguiteinden om de olie op te vangen.
5. Draai de klemmen op de oliekoelerslangen op het reservoir los. Trek de slangen voorzichtig van de geribde fittingen.
 6. Trek de ventilatorkabel uit de ventilator. Ontkoppel de aardleiding (groen) los van de ventilator aardings Schroef.
 7. Verwijder de bouten waarmee het pompreservoir is bevestigd aan het buisframe. Verwijder de pomp van het buisframe.
 8. Wikkel het pompnetsnoer en de afstandbedieningskabel van de snoerprolbeugel.
 9. Verwijder de twee bouten waarmee de snoerprolbeugel is bevestigd op de afdekplaat van de pomp. Verwijder de beugel, afdichtringen en koperen ringen.

10. Verwijder de resterende bouten en koperen ringen rond de buitenste rand van de bovenplaat van de pomp.
 11. Til de pomp voorzichtig op en verwijder de pompmontage uit het reservoir.
 12. Veeg de binnenzijde van het reservoir schoon. Maak het reservoir grondig schoon met een geschikt reinigingsmiddel.
- WAARSCHUWING:** Volg de aanwijzingen van de fabrikant bij het gebruik van oplosmiddelen en schoonmaakmiddelen. Draag geschikte hand- en oogbeschermin.
13. Verwijder de vijf inbus-kopschroeven waarmee het inlaatrooster is bevestigd op de 1e trap tandwielpompe. Zorg ervoor dat de centrale plaat en tandwielen niet worden verwijderd.



WAARSCHUWING: Volg de aanwijzingen van de fabrikant bij het gebruik van oplosmiddelen en schoonmaakmiddelen. Draag geschikte hand- en oogbeschermin.



Figuur 12, Inlaatrooster

(Opmerking: pomp weergegeven na verwijdering uit reservoir en ondersteboven geplaatst)

14. Verwijder de inlaatrooster en reinig met onbrandbaar oplosmiddel. Daarna de rooster droog schoonblazen.



WAARSCHUWING: Draag geschikte oogbescherming bij het gebruik van perslucht. Niet meer dan 30 psi gebruiken voor reinigingsdoeleinden.

15. Installeer de inlaatrooster. Draai de vijf inbus-kopschroeven vast tot 8,5 Nm [75 inch pond].
16. Installeer een nieuwe reservoirpakking.
17. Monteer de pomp en het reservoir opnieuw, volgens de stappen 1 tot 11 in omgekeerde volgorde.

Opmerking: Tijdens het opnieuw monteren, bouten vastdraaien met de volgende koppels:

- Bovenplaat reservoir bevestigingsbouten: Breng Loctite 243 aan op de draadgangen en draai vast tot 5,6-6,7 Nm [50-60 in-lbs].
 - Rolkooibouten: Breng Loctite 243 aan op de draadgangen en draai vast tot 13,5-15,8 Nm [120-140 in-lbs].
 - Zijpaneelbouten: Breng Loctite 243 aan op de draadgangen en draai vast tot 6,7-8,1 Nm [60-72 in-lbs]
18. Vul het reservoir met schone Enerpac HF hydraulische olie (ISO graad 32). Het reservoir is vol wanneer het olieniveau het peil bereikt zoals weergegeven in Figuur 2.

7.0 PROBLEEMOPLOSSING (Zie Probleemoplossingsgids)

Uitsluitend bevoegde hydraulische technici mogen onderhoud aan de pomp of systeemonderdelen verrichten. Een systeemstoring kan al dan niet het gevolg zijn van een pompdefect. Om de oorzaak van het probleem vast te stellen moet het volledige systeem in een diagnoseprocedure worden betrokken.

De informatie uit de probleemoplossingsgids is uitsluitend bedoeld om te worden gebruikt als hulpmiddel om vast te stellen of er een probleem aanwezig is. Voor reparatieonderhoud neemt u contact op met uw plaatselijk erkend Enerpac servicecentrum.

Probleemoplossingsgids		
Probleem	Mogelijke oorzaak	Actie
Pomp wordt niet gestart wanneer de knop "AAN/VOORUIT" wordt ingedrukt.	Geen voedingspanning.	Sluit de voeding aan.
	Netsnoer beschadigd.	Zorg ervoor dat het netsnoer niet beschadigd is.
	De stroomonderbreker is uitgeschakeld.	Druk de stroomonderbrekerknop in om te resetten.
	Lage spanning.	Andere elektrische ladingen uitschakelen. Gebruik zwaarder verlengsnoer.
	Afstandbediening beschadigd.	Herstel afstandbediening. Raadpleeg bevoegd servicecentrum.
De motor stopt onder belasting.	Lage spanning.	Druk de stroomonderbrekerknop in om te resetten (indien uitgeschakeld). Andere elektrische ladingen uitschakelen. Gebruik zwaarder verlengsnoer.
	Koude olie.	Druk de stroomonderbrekerknop in om te resetten (indien uitgeschakeld). Laat de pomp werken bij 140 bar [2000 psi] gedurende 5 minuten om de olie op te warmen voordat de pomp wordt gebruikt. Gebruik Enerpac LX olie (ISO kwaliteit 15) in een koud klimaat.

(vervolg op volgende pagina)

Probleemoplossingsgids (vervolg)

Probleem	Mogelijke oorzaak	Actie
Lawaaierige werking.	Lucht opgesloten in het systeem.	Ontlucht het systeem.
	Ontluchtingsdop van het reservoir niet geïnstalleerd.	Verwijder transportdop en installeer ontluchtingsdop volgens sectie 4.1.
	Laag oliepeil.	Zorg ervoor dat het oliereservoir gevuld is tot een normaal peil. Olie bijvullen volgens sectie 4.2.
	Luchtlekken.	Controleer alle punten waar lucht in het systeem kan binnenkomen. Draai fittingen vast en/of herstel indien nodig.
	Inlaatrooster verstopt.	Reinig inlaatrooster.
Elektrisch stuurventiel werkt niet.	Geen voedingsspanning op de pomp, of verkeerde spanning.	Sluit aan op de correcte voedingsbron volgens het typeplaatje van de pomp.
	Solenoidekabel losgekoppeld of beschadigd.	Kabel aansluiten, repareren of vervangen.
	Solenoidespoel niet operationeel.	Raadpleeg bevoegd servicecentrum.
Pomp werkt maar pompt geen olie. of De pomp bouwt geen volledige druk op.	De pomp is niet ontlucht.	Laat de pomp een paar minuten werken, terwijl ze zachtjes van links naar rechts wordt gekanteld.
	Ontluchtingsdop van het reservoir niet geïnstalleerd.	Verwijder transportdop en installeer ontluchtingsdop volgens sectie 4.1.
	Laag oliepeil.	Olie bijvullen volgens sectie 4.2.
	Drukbegeerzingsklep staat te laag ingesteld.	Afstellen volgens sectie 5.6.
	Extern systeemlek.	Inspecteer en repareer zo nodig of vervang delen.
	Inlaatrooster verstopt.	Reinig inlaatrooster.
	Inwendig lek in de pomp.	Raadpleeg bevoegd servicecentrum.
	Inwendig lek in de klep.	
Inwendig lek in systeemonderdeel.		
Pomp bouwt volledige druk op, maar de momentsleutel gaat niet vooruit.	Koppel is groter dan de sleutelcapaciteit op volle druk.	Gebruik een momentsleutel met grotere capaciteit.
	Oliestroom naar de moersleutel is volledig of gedeeltelijk geblokkeerd.	Controleer de koppelingen op volledige aansluiting volgens sectie 4.4.
Momentsleutel wordt niet ingetrokken.	Retour-oliestroom van de moersleutel is beperkt of geblokkeerd.	Controleer de koppelingen op volledige aansluiting volgens sectie 4.4. Laat motor draaien tijdens het achteruit werken.
	Defect stuurventiel.	Raadpleeg bevoegd servicecentrum.
Manometer geeft niet nul (0) psi/ bar aan wanneer de pompmotor is gestopt.	Druk niet ontlast.	Ontlast de druk volgens sectie 5.4.
	Manometer is fout gekalibreerd.	Laat de manometer opnieuw kalibreren door een bevoegd service center.
De pomp wordt heet.	Oliestroom gedeeltelijk geblokkeerd	Controleer de koppelingen op volledige aansluiting volgens sectie 4.4.
	Laag oliepeil.	Olie bijvullen volgens sectie 4.2.
	Ventilator van de oliekoeler werkt niet.	Controleer de ventilator op een goede werking.
	Oliekoeler warmtewisselaar bedekt met vuil of verstopt.	Verwijder het vuil van de ventilator en schoepen. Controleer de oliekoelerleidingen op verstoppingen.

L3060 Rev. B 08/12

Folhas de Instrução para este produto estão disponíveis no Site de Enerpac - www.enerpac.com, ou no Centro de Serviço Autorizado mais próximo, ou com o Escritório de Vendas Enerpac.

1.0 INSTRUÇÕES IMPORTANTES NO RECEBIMENTO

Inspecione visualmente todos os componentes verificando se houve avarias durante o transporte. Avarias no transporte não são cobertas pela garantia. Caso haja avarias no transporte, avise o transportador imediatamente. O transportador é responsável por todos os custos de consertos e substituições decorrentes de avarias ocorridas no transporte.

SEGURANÇA EM PRIMEIRO LUGAR

2.0 ASSUNTOS DE SEGURANÇA



Leia cuidadosamente todas as instruções, advertências e avisos sobre precaução. Siga todas as recomendações de segurança para evitar lesões pessoais ou danos à propriedade durante a operação do sistema. Enerpac não pode ser responsável por danos ou lesões pessoais resultantes do uso indevido do produto, falta de manutenção ou operação inadequada do produto e/ou sistema. Entre em contato com Enerpac quando houver dúvidas sobre as recomendações de segurança e operações. Se você nunca recebeu treinamento em segurança na hidráulica de alta pressão, consulte o seu distribuidor ou centro de serviço sobre um curso de segurança hidráulica Enerpac.

Falhas no cumprimento das advertências e avisos de precaução podem causar lesões pessoais e avarias ao equipamento.

PRECAUÇÃO é usada para indicar a operação correta ou os procedimentos e métodos de manutenção para prevenir o dano, a destruição do equipamento ou outras propriedades.

ADVERTÊNCIA indica um perigo potencial que exige procedimentos ou métodos corretivos para evitar lesões pessoais.

PERIGO é usado somente quando a ação ou a falta da mesma podem causar lesões sérias ou mesmo a morte.



ADVERTÊNCIA: Use equipamentos individuais de proteção quando acionar equipamentos hidráulicos.



ADVERTÊNCIA: Mantenha distância de cargas apoiadas por cilindros hidráulicos. Um cilindro, quando utilizado como dispositivo de levantamento, jamais deve ser usado como dispositivo de sustentação de carga. Depois de haver sido levantada ou baixada, a carga deve sempre ser bloqueada mecanicamente.



ADVERTÊNCIA: USE SOMENTE PEÇAS RÍGIDAS PARA APOIAR AS CARGAS. Selecione cuidadosamente blocos de madeira ou ferro que sejam capazes de sustentar a carga. Nunca use um cilindro hidráulico como um calço ou espaçador em qualquer aplicação de levantamento ou prensagem.



PERIGO: Para evitar lesões pessoais mantenha mãos e pés longe do cilindro e da área de trabalho durante a operação.



ADVERTÊNCIA: A pressão de operação do sistema não deve exceder a capacidade de pressão do componente de menor capacidade no sistema. Instale manômetros de pressão no sistema para monitorar a pressão de operação. É a sua janela para o que está acontecendo no sistema.



PRECAUÇÃO: Evite danificar mangueiras hidráulicas. Evite curvas ou dobras pronunciadas quando direcionar as mangueiras hidráulicas. O uso de uma mangueira curvada ou dobrada causará aumento na pressão de retorno. Curvas ou dobras pronunciadas danificarão a mangueira internamente, levando a um desgaste prematuro.



Não derrube objetos pesados na mangueira. Um forte impacto pode causar danos à trama interna de aço da mangueira. A aplicação de pressão em uma mangueira danificada pode causar a sua ruptura.



IMPORTANTE: Não levante o equipamento hidráulico pela mangueira ou pelos engates. Use manoplas ou outros meios mais seguros para o transporte.



PRECAUÇÃO: Mantenha o equipamento hidráulico longe do calor e das chamas. O calor excessivo amolece vedações e selos, resultando em vazamento de fluidos. O calor também enfraquece o material das mangueiras e das juntas. Para um desempenho otimizado não exponha o equipamento a temperaturas maiores que 65 °C (150 °F). Proteja mangueiras e cilindros dos respingos de solda.



PERIGO: Não manuseie mangueiras pressurizadas. O escape do óleo sob pressão pode penetrar na pele, causando lesões sérias. Se o óleo penetrar na pele, procure um médico imediatamente.



ADVERTÊNCIA: Use somente os torquímetros hidráulicos em um sistema conectado. Nunca use um torquímetro com engates não conectados. Caso o torquímetro fique extremamente sobrecarregado, os componentes podem falhar catastróficamente, causando sérias lesões pessoais.



IMPORTANTE: Somente técnicos em hidráulica, devidamente qualificados, devem fazer a manutenção de equipamentos hidráulicos. Para serviços de manutenção, entre em contato com o Centro de Serviço Autorizado Enerpac em sua área. Para proteger sua garantia, use somente óleo Enerpac.



ADVERTÊNCIA: Substitua imediatamente peças gastas ou danificadas por peças genuínas Enerpac. Peças não genuínas podem quebrar, causando lesões pessoais ou danos à propriedade. As peças Enerpac são projetadas para se encaixar adequadamente e sustentar cargas pesadas.



ADVERTÊNCIA: Não utilize bombas elétricas em ambiente explosivo. Trabalhe sempre de acordo as legislações local e nacional de instalação elétrica. Qualquer instalação ou modificação deve ser realizada por um técnico em eletricidade qualificado.



ADVERTÊNCIA: Mantenha as mãos longe de peças móveis e de mangueiras pressurizadas.



ADVERTÊNCIA: Estas bombas possuem válvulas de alívio pré-ajustadas de fábrica e não podem ser consertadas ou ajustadas, exceto por um Centro de Serviço Autorizado Enerpac.



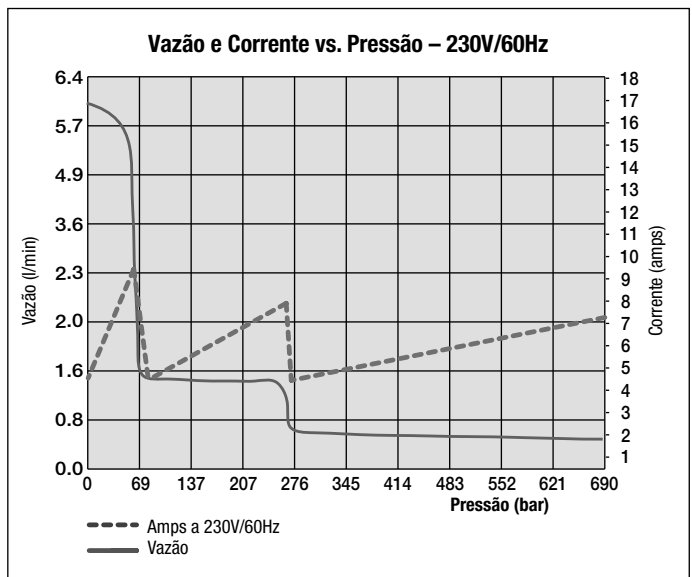
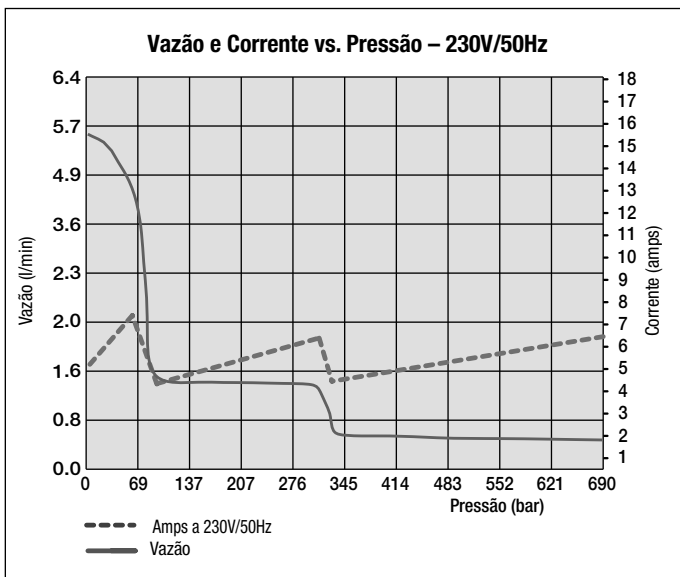
PRECAUÇÃO: Antes de ligar o motor elétrico da bomba, verifique sua voltagem e capacidade. O uso de voltagem incorreta causa danos ao motor.

3.0 INFORMAÇÃO DO PRODUTO

3.1 ESPECIFICAÇÕES

Modelo	Tamanho do motor	Pressão Máxima de Operação	Especificação Elétrica do Motor	Vazão na Pressão Nominal			Nível de ruído	Faixa de Ajuste da Válvula de Alívio	Peso Aproximado sem óleo
	HP [kW]	psi [bar]	Volts-Fase-Hz	1° Estágio	2° Estágio	3° Estágio	dBA	psi [bar]	lbs. [kg]
TQ-700E	1.0 [0,75]	10,000 [700]	230-1-50	320 pol ³ [5,25 l/min] a 100 psi [6,9 bar]	82 pol ³ [1,34 l/min] a 4,300 psi [296 bar]	30 pol ³ [0,49 l/min] a 10,000 psi [700 bar]	82-85	1,400-10,000 [140-700]	66 [30]
TQ-700I	1.0 [0,75]	10,000 [700]	230-1-60	380 pol ³ [6,23 l/min] a 100 psi [6,9 bar]	98 pol ³ [1,61 l/min] a 4,300 psi [296 bar]	38 pol ³ [0,63 l/min] a 10,000 psi [700 bar]	75-79	1,400-10,000 [140-700]	66 [30]

3.2 Diagramas de Desempenho



Nota: O consumo real de corrente pode variar, dependendo da aplicação

4.0 INSTALAÇÃO

Posicione a bomba para garantir que o fluxo de ar ao redor do motor e da bomba esteja desimpedido. Mantenha o motor limpo para assegurar o máximo de resfriamento durante a operação.

4.1 Rspiro do Reservatório

Ver Figura 1. Um bujão de transporte (A) é instalado no orifício do respiro na parte superior do reservatório. Antes de acionar a bomba, substitua o bujão de transporte (A) pelo respiro do reservatório (B) e adaptador (C).

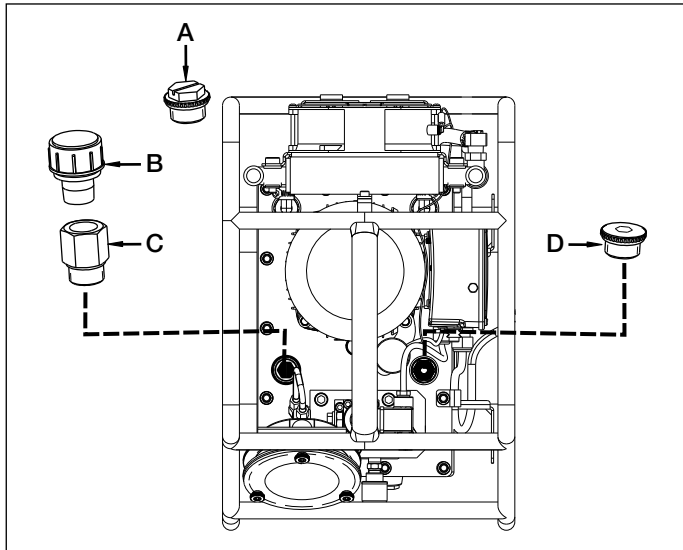


Figura 1, Respiro do Reservatório e Bujão de Abastecimento de Óleo

4.2 Nível do Óleo

Verifique o nível de óleo da bomba antes de dar a partida. O reservatório está cheio quando o nível do óleo está na linha superior do visor de medição como mostrado na Figura 2. Se necessário, acrescente óleo removendo o bujão de abastecimento de óleo (D) do tubo de abastecimento, como mostrado na Figura 1. Use óleo Enerpac HF (ISO Grau 32).

IMPORTANTE: adicione óleo apenas quando os componentes do sistema estão totalmente retornados, ou o sistema terá mais óleo do que o reservatório pode conter. O nível do óleo estará acima da linha do visor, mas deve manter-se ao menos uma polegada (2,5 cm) abaixo do lado inferior da placa de cobertura da bomba.

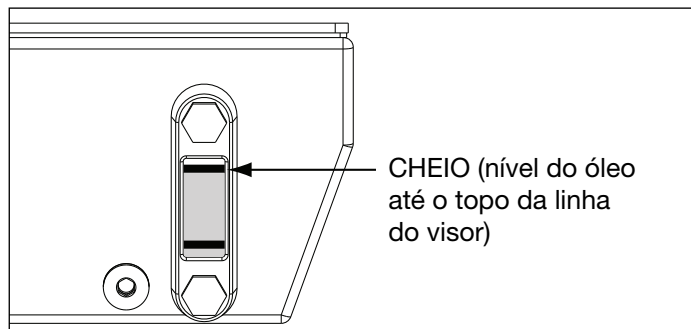


Figura 2, Visor de Medição de Óleo

4.3 Conexões Elétricas



ADVERTÊNCIA: A bomba vem equipada de fábrica com uma tomada elétrica comum para uma voltagem específica. Alteração do tipo de tomada deve ser feita por um electricista qualificado, de acordo com os códigos locais e nacionais aplicáveis.

1. A proteção e desligamento do circuito de linha devem ser providenciados pelo cliente. A proteção do circuito de linha deve ser de 115% da corrente da carga total do motor na pressão máxima para a aplicação.
2. Para mais informação, veja a placa de identificação da bomba e/ou a placa de identificação do motor para a potência. Veja também a Secção 3.2.

4.4 Conexões Hidráulicas

Conexões rosqueadas, tais como acessórios, devem ser apertadas com segurança e sem vazamento. Use 1-1/2 volta de fita Teflon (ou outro selante adequado) em todas as roscas, deixando a primeira rosca totalmente sem fita para garantir que nenhuma matéria estranha entre no circuito hidráulico. Apare pontas soltas.

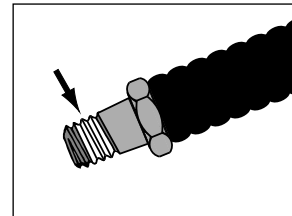


Figura 3, Vedação das Roscas

IMPORTANTE: Tome cuidado para evitar que pedaços de fita penetrem no sistema hidráulico.

Conecte as mangueiras conforme demonstrado nas Figuras 4 e 5.

Use mangueiras na pressão nominal de operação de 700 bar/10,000 psi. Conexões devem ser polarizadas conforme Figura 5 para operação correta do torquímetro. Certifique-se de que as conexões estão totalmente acopladas e apertadas antes de acionar. Acoplamento parcial da conexão vai impedir a operação adequada do torquímetro.



ADVERTÊNCIA: Ao usar bombas com manifold de múltiplas vias para torquímetro, certifique-se de que tampas protetoras tenham sido instaladas em todas as conexões não utilizadas antes de acionar a bomba.

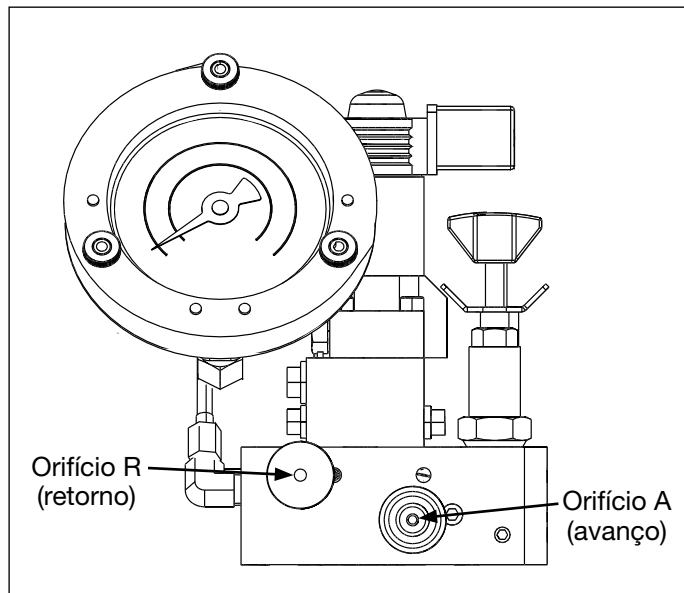


Figura 4, Ligações de Válvula

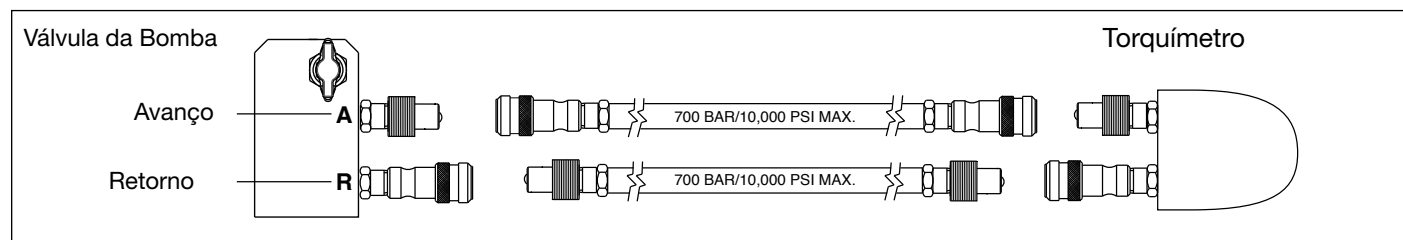


Figura 5, Detalhes da Mangueira (visão superior)

5.0 OPERAÇÃO

5.1 Antes de Acionar a Bomba

1. Instale o respiro do reservatório e verifique o nível de óleo como descrito nas seções 4.1 e 4.2.
2. Caso utilizado, instale o mostrador sobreposto de torque como descrito na Seção 5.5.
3. Ajuste a pressão (torque) da montagem como descrito na Seção 5.6.
4. Conecte as mangueiras hidráulicas como descrito na Seção 4.4.

5.2 Controles Remotos

Ver Figura 6.

Botão “ON/ADV” (“LIGADO/ AVANÇO”) do Controle:

Botão pressionado -

- Motor é acionado.
- Torquímetro AVANÇA enquanto o botão estiver pressionado

Botão é liberado -

- Torquímetro RETORNA.
- Motor continua girando por 20 segundos.

Botão do Controle “OFF”(“DESLIGADO”):

Motor para imediatamente quando o botão é pressionado. (nenhuma demora)

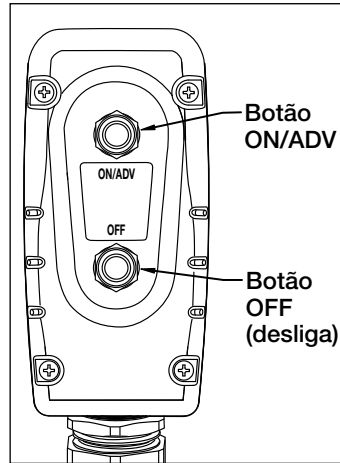


Figura 6, Botões do Controle

5.3 Operação da Bomba

IMPORTANTE: ISempre que possível, somente um usuário deveria usar o torquímetro e a bomba. Isto pode evitar acionamento acidental da bomba enquanto o operador estiver posicionando o torquímetro.



ADVERTÊNCIA: No próximo passo, o motor da bomba será acionado e a válvula vai mudar automaticamente, fazendo com que o torquímetro retorne. Verifique se o torquímetro está posicionado para evitar ferimentos ou danos ao equipamento antes de acionar o motor.

1. Para acionar a bomba, pressione o botão “ON/ADV” do controle. Ver Figura 6. O motor entrará em funcionamento automaticamente, e o torquímetro iniciará o avanço. O torquímetro continuará avançando enquanto o botão estiver pressionado. O manômetro de pressão mostrará a pressão no circuito de avanço.
2. Libere o botão “ON/ADV” para que o torquímetro retorne. Depois que o botão é liberado, o manômetro vai mostrar a pressão no circuito de retorno (by-pass do orifício R), aproximadamente 173 -193 bar [2500 - 2800 psi].
3. Pressione o botão “OFF” para interromper a bomba.

Nota: Se o botão “ON/ADV” não for pressionado por um período contínuo de 20 segundos, o cronômetro embutido da bomba vai desligar o motor automaticamente.

Nota: Quando o torquímetro é ligado à bomba pela primeira vez, haverá ar aprisionado no circuito hidráulico. Remova o ar colocando o torquímetro e as mangueiras esticadas sob a bomba. Acione o torquímetro sem carga, conforme necessário, até que o mesmo avance e retorne sem hesitação.

5.4 Aliviando a Pressão

Para aliviar a pressão hidráulica no torquímetro e mangueiras:

- Pressione e mantenha pressionado o botão “OFF”. Ver Figura 7.
- Enquanto mantém pressionado o botão “OFF”, pressione e libere o botão “ON/ADV” por três ou mais vezes, até que a pressão no manômetro indique zero (0) psi/bar. As mangueiras podem agora ser removidas.

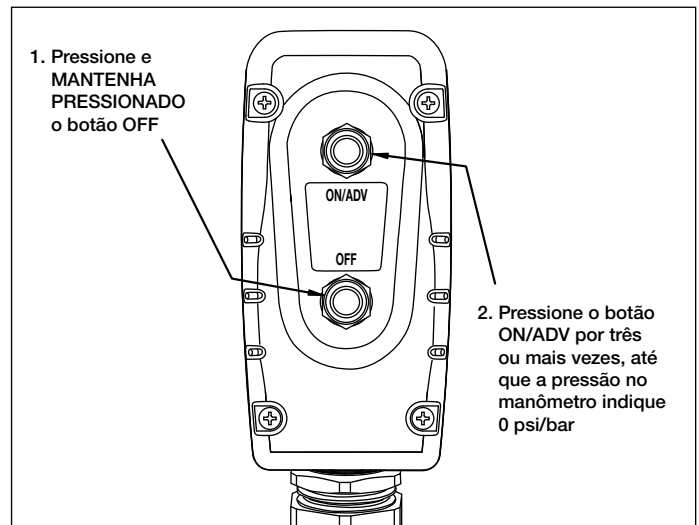


Figura 7, Aliviando a Pressão (usando os botões do controle)

Caso a pressão não possa ser liberada com os botões do controle, pressione firmemente o botão do comando manual na parte superior da montagem da válvula. Isto vai fechar manualmente a bobina da válvula, liberando a pressão aprisionada.

IMPORTANTE: O botão do controle manual deve ser usado ocasionalmente, como em uma falha de energia.

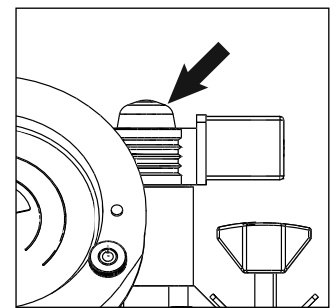


Figura 8, Botão do Controle Manual (na válvula)

5.5 Manômetro de Pressão com Mostrador Sobreposto de Torque

Para sua conveniência, mostradores sobreposto de torque para modelos selecionados de torquímetros Enerpac são fornecidos com a bomba.

Um mostrador sobreposto de torque é encaixado no disco do manômetro de pressão e converte facilmente as leituras de pressão em leituras de torque. O mostrador sobreposto tem unidades no sistema imperial (pés-lbs.) de um lado e unidades no sistema métrico (Nm) do outro lado. Para modificar as escalas, simplesmente mude o sentido do mostrador sobreposto.



AVISO: Cada mostrador sobreposto é dimensionado para SOMENTE um modelo específico de torquímetro Enerpac. Não use com outros modelos de torquímetro.

Instale uma sobreposição de torque conforme descrito nos passos seguintes. Veja Figura 9.

1. Remova o parafuso superior tipo borboleta que fixa a blindagem do manômetro. Solte, mas não remova os dois parafusos tipo borboleta inferiores.
 2. Posicione o mostrador sobreposto pretendido no suporte do flange, alinhando o mostrador sobreposto nas depressões do suporte.
- IMPORTANTE:** Verifique sempre que o mostrador sobreposto correto esteja instalado no torquímetro Enerpac utilizado.
3. Depois que o mostrador sobreposto estiver no lugar, aperte os dois parafusos tipo borboleta inferiores. Reinstale e aperte o parafuso tipo borboleta superior.
 4. Veja as instruções do torquímetro para a pressão hidráulica necessária que produzirá o torque pretendido. Note que a pressão máxima varia para os diferentes torquímetros e acessórios.

IMPORTANTE: Veja as instruções do torquímetro para as especificações e procedimentos da operação de torque.

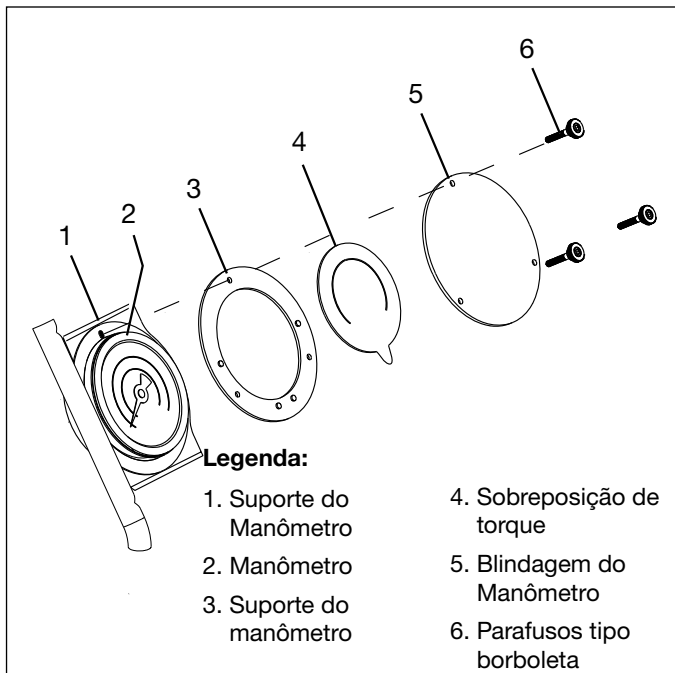


Figura 9, Mostrador Sobreposto do Manômetro

5.6 Ajuste de Pressão (Torque)

Para limitar a pressão de avanço do torquímetro, ajuste a configuração de pressão conforme descrito no procedimento a seguir. Veja a figura 10.



ADVERTÊNCIA: ajuste a pressão da bomba ANTES de colocar o torquímetro na porca ou na cabeça do parafuso. O ajuste de pressão da bomba não pode exceder a pressão necessária para o torque exigido para sua aplicação. Exceder o torque necessário vai danificar o equipamento e pode causar sérias lesões físicas.

1. Desconecte as mangueiras dos orifícios da válvula dos manifolds “A” e “R”. Instale as tampas protetoras de metal nas conexões.
2. Solte a porca trava da válvula de alívio.
3. Gire o botão de ajuste no sentido anti-horário conforme necessário, para evitar acúmulo indesejado de pressão.
4. Pressione e mantenha pressionado o botão “ON/ADV” do controle. O motor vai ser acionado e a pressão começa a se acumular no Orifício A do circuito de avanço.
5. Enquanto o botão “ON/ADV”, do controle ainda está pressionado, gire VAGAROSAMENTE o botão de ajuste no sentido horário para aumentar o ajuste de pressão ou no sentido anti-horário para diminuir o ajuste de pressão.

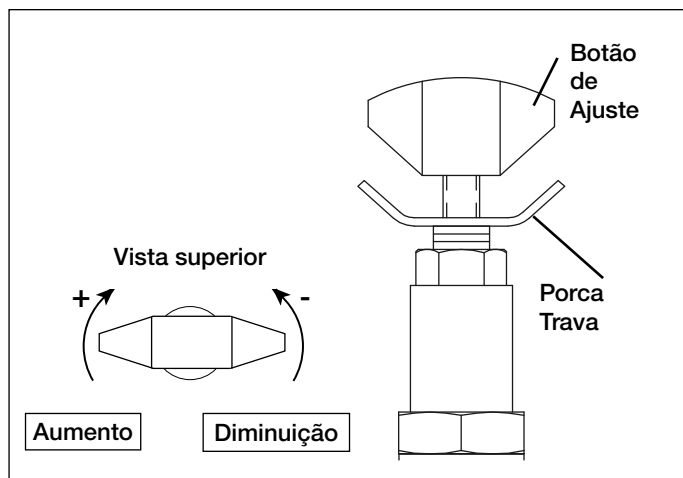


Figura 10, Regulagem do Ajuste de Pressão

6. Libere o botão “ON/ADV” do controle para permitir que a pressão do sistema retorne ao ajuste do orifício R de retorno. O motor continua a funcionar.
7. Pressione e mantenha pressionado o botão “ON/ADV” novamente para reavaliar o ajuste de pressão do circuito de avanço. Verifique se a pressão desejada está indicada no manômetro de pressão.
8. Depois que a configuração de pressão desejada for obtida, aperte a porca trava da válvula de alívio.

5.7 Disjuntor

Um disjuntor com botão de pressão está localizado no compartimento elétrico da bomba.

Ver Figura 11. Caso ocorra sobrecarga elétrica, o disjuntor será desarmado.

Depois de investigar e corrigir a origem da sobrecarga, empurre o botão do disjuntor para reiniciar.

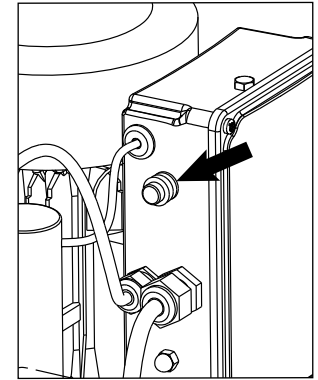


Figura 11, Disjuntor

6.0 MANUTENÇÃO

Frequentemente inspecione todos os componentes do sistema para vazamentos ou danos. Conserte ou substitua componentes danificados. Componentes elétricos, por exemplo, o cabo de alimentação somente pode ser consertado ou substituído por um electricista qualificado, e de acordo com todos os códigos locais e nacionais aplicáveis.



AVISO: Desconecte a bomba da energia elétrica antes de executar qualquer manutenção ou reparo.

6.1 Troca de Óleo e Limpeza do Reservatório

Óleo Enerpac HF tem cor azul forte. Frequentemente verifique a condição do óleo para contaminação, comparando o óleo da bomba com óleo novo Enerpac. Como regra geral, esvazie completamente o reservatório a cada 250 horas, ou com mais frequência, caso utilizado em ambientes sujos.

Nota: Este procedimento exige que a bomba seja removida do reservatório. Trabalhe em uma bancada limpa e elimine o óleo usado de acordo com os códigos locais.

Troque o óleo e limpe o reservatório conforme descrito nos passos seguintes. Veja a Folha de Instruções da bomba para identificação das partes e detalhes de desmontagem/montagem.

1. Desligue o cabo de alimentação da tomada elétrica.
2. Remova o bujão de drenagem e drene todo o óleo do reservatório para um recipiente adequado. Limpe e instale novamente o bujão de drenagem.
3. Remova os painéis esquerdo e direito da gaiola de proteção.
4. Desconecte a tubulação do manômetro

Nota: O Pode haver vazamento de óleo das mangueiras desconectadas durante o próximo passo. Coloque um recipiente adequado sob os terminais das mangueiras para recolher todo o óleo.

5. Solte os grampos das mangueiras do resfriador de óleo no reservatório. Gentilmente retire as mangueiras das conexões farpadas.
6. Desligue o cabo de refrigeração do ventilador. Desconecte o fio terra (verde) do parafuso terra do ventilador.
7. Remova os parafusos que fixam a gaiola de proteção do reservatório da bomba. Remova a bomba da gaiola de proteção.
8. Desenrole o cabo de alimentação da bomba e o cabo do controle do suporte de armazenamento.
9. Remova os dois parafusos que fixam o cabo do suporte de armazenamento na tampa frontal da bomba. Remova o suporte, arruelas de vedação e arruelas de cobre.

10. Remova os parafusos remanescentes e as arruelas de cobre ao redor da borda externa da placa superior da bomba.
11. Cuidadosamente levante e remova o conjunto da bomba do reservatório.
12. Limpe as superfícies interiores do reservatório. Cuidadosamente limpe o reservatório com um produto de limpeza adequado.



AVISO: Siga as instruções do fabricante ao usar produtos de limpeza e solventes. Use proteção adequada para as mãos e para os olhos.

13. Remova os cinco parafusos de cabeça sextavada da tampa que fixam a tela de entrada na engrenagem do 1º estágio da bomba. Seja cuidadoso e não remova a placa central e as engrenagens.



Figura 12, Tela de Entrada

(Nota: mostrada bomba retirada do reservatório e posicionada de cabeça para baixo)

14. Remova a tela de entrada e limpe com um solvente não inflamável. Depois, seque a tela limpa.



AVISO: Utilize proteção adequada para os olhos, ao usar ar comprimido. Não exceda 30 psi para fins de limpeza.

15. Reinstale a tela de entrada. Aplique torque nos parafusos de cabeça sextavada de 75 polegadas libras [8,5 Nm].
16. Instale uma nova gaxeta no reservatório.
17. Monte novamente a bomba e o reservatório, seguindo os passos 1 até 11, em ordem inversa.

Nota: Durante a remontagem, aperte os fixadores com os torques seguintes:

- **Parafusos de fixação da placa superior do reservatório:** Aplique Loctite 243 nas roscas e torque de 50-60 pol.-libras [5,6-6,7 Nm].
 - **Parafusos da gaiola de proteção:** Aplique Loctite 243 nas roscas e torque de 120-140 pol.-libras [13,5- 15,8 Nm].
 - **Parafusos do painel lateral:** Aplique Loctite 243 nas roscas e torque de 60-72 pol.-libras [6,7-8,1 Nm].
18. Abasteça o reservatório com óleo hidráulico Enerpac HF limpo (ISO Grau 32). O reservatório está cheio quando o nível do óleo estiver como mostrado na Figura 2.

7.0 SOLUCIONANDO PROBLEMAS (Veja o Guia de Soluções de Problemas)

Somente técnicos qualificados em hidráulica devem consertar a bomba ou componentes do sistema. Uma falha do sistema pode ou não ser o resultado do mau funcionamento da bomba. Para determinar a causa do problema, o sistema completo deve ser incluído em um procedimento de diagnóstico.

A informação contida no Guia de Soluções de Problemas destina-se a ser usada somente como ajuda para determinar se o problema existe. Para serviços de reparo, entre em contato com o seu Centro de Serviço Autorizado Enerpac.

Guia de Soluções de Problemas		
Problema	Causa Possível	Ação
Bomba não dá partida, quando o botão "ON/ADV" é pressionado.	Sem energia.	Conecte a alimentação.
	Cordão de alimentação danificado.	Conecte a alimentação.
	Disjuntor desarmado.	Empurre o botão do disjuntor para reiniciar.
	Baixa voltagem.	Desligue outras cargas elétricas. Use cabo de extensão com calibre mais pesado.
	Controle danificado.	Repare o controle. Veja um centro de serviços autorizado.
Sob carga o motor para.	Baixa voltagem.	Empurre o botão do disjuntor para reiniciar (se desarmado). Desligue outras cargas elétricas. Use cabo de extensão com calibre mais pesado.
	Óleo Frio.	Empurre o botão do disjuntor para reiniciar (se desarmado). Faça com que a bomba funcione a 140 bar [2000 psi] por 5 minutos para aquecer o óleo antes de usar a bomba. Use óleo Enerpac LX (ISO Grau 15) em climas frios.

(continua na próxima página)

Guia de Soluções de Problemas (continuação)

Problema	Causa Possível	Ação
Operação Barulhenta.	Ar aprisionado no sistema.	Sangre o ar do sistema.
	Respiro do reservatório não instalado.	Remova o bujão de transporte e instale o respiro conforme Secção 4.1.
	Nível de óleo baixo.	Certifique-se de que o reservatório está abastecido até o nível normal. Acrescente óleo conforme Secção 4.2.
	Vazamento de ar.	Verifique todos os pontos onde o ar pode entrar no sistema. Aperte as conexões e/ou conserte, conforme necessário.
	Tela de entrada entupida.	Limpe a tela de entrada.
Válvula elétrica não funciona.	Bomba sem alimentação ou voltagem errada.	Conecte a fonte de alimentação correta de acordo com a placa de identificação da bomba.
	Cabo do solenoide desconectado ou danificado.	Conecte, conserte ou substitua o cabo.
	Bobina do solenoide não operacional.	Veja um centro de serviços autorizado.
Bomba funciona mas não bombeia o óleo. ou Bomba não atinge a pressão total.	Bomba não está abeberada.	Faça com que a bomba funcione por alguns minutos, inclinando-a cuidadosamente de um lado para outro.
	Respiro do reservatório não instalado.	Remova o bujão de transporte e instale o respiro conforme Secção 4.1.
	Nível de óleo baixo.	Acrescente óleo conforme Secção 4.2.
	Ajuste da válvula de alívio muito baixo.	Ajuste conforme Secção 5.6.
	Vazamento no sistema externo.	Inspeccione e conserte ou substitua as partes conforme necessário.
	Tela de entrada entupida.	Limpe a tela de entrada.
	Vazamento interno na bomba.	Veja um centro de serviços autorizado.
	Vazamento interno na válvula.	
Vazamento interno em componente do sistema.		
Bomba atinge a pressão total, mas o torquímetro não avança.	Torque é maior que a capacidade do torquímetro com pressão total.	Use torquímetro com maior capacidade.
	Vazão na linha de avanço limitada ou bloqueada..	Verifique os engates rápido para acoplamento total, conforme Secção 4.4.
Torquímetro não retorna.	Vazão na linha de retorno limitada ou bloqueada.	Verifique os engates rápido para acoplamento total, conforme Secção 4.4 Faça o motor funcionar durante o retorno.
	Mau funcionamento da válvula.	Veja um centro de serviços autorizado.
Manômetro de pressão não mostra leitura zero (0) psi/bar quando o motor da bomba para.	Não há alívio na pressão.	Execute o alívio da pressão conforme Secção 5.4.
	Manômetro de pressão está fora de calibragem.	Faça com que o manômetro de pressão seja calibrado por uma oficina qualificada em calibragem.
Bomba trabalha quente.	Vazão limitada no avanço ou retorno.	Verifique os engates rápido para acoplamento total, conforme Secção 4.4
	Nível de óleo baixo.	Acrescente óleo conforme Secção 4.2
	Refrigerador de óleo não está funcionando.	Verifique o refrigerador de óleo para operação adequada.
	O refrigerador do trocador de óleo sujo ou entupido.	Remova qualquer sujeira das pás e do ventilador do refrigerador de óleo. Verifique a tubulação do refrigerador de óleo para entupimentos.

L3060 Rev. B 08/12

Korjausosaluettelo tälle tuotteelle on saatavilla Enerpacin web-sivulta www.enerpac.com, tai lähimmästä valtuutetusta Enerpac-huoltokeskuksesta tai Enerpac-myyntitoimistosta.

1.0 TÄRKEÄT VASTAANOTTO-OHJEET

Tarkista silmämääräisesti kaikki osat kuljetusvaurioiden varalta. Takuu ei kata kuljetusvaurioita. Jos kuljetusvaurioita löytyy, niin ilmoita kuljetusliikkeelle välittömästi. Kuljetusliike on vastuussa kaikista korjauksista ja korvauskustannuksista, jotka ovat johtuvat kuljetusvaurioista.

TURVALLISUUS ENNEN KAIKKEA

2.0 VAROIMENPITEET



Lue kaikki ohjeet ja varoitukset huolellisesti. Noudata kaikkia varoimenpiteitä estääksesi vammoja tai omaisuuden vaurioitumista käytön aikana.

Enerpac ei ole vastuussa vaurioista tai vammoista, jotka johtuvat tuotteen turvattomasta käytöstä, huollon puutteesta tai tuotteen ja/tai järjestelmän väärästä käytöstä. Ota yhteys Enerpaciin kun olet epävarma varoimenpiteistä ja käytöstä. Jos et ole koskaan koulutautunut korkeapaineisen hydraulijärjestelmän turvallisuuteen, ota maahantuojaan tai palvelukeskukseen, jotta voit ottaa osaa Enerpacin ilmaiseen hydraulijärjestelmän turvakurssiin.

Seuraavien varoitusten noudattamatta jättäminen voi aiheuttaa laitevaurioita ja vammoja.

VAROVAISUUS -tekstiä käytetään ilmaisemaan oikeat käyttö- tai huoltotoimenpiteet ja käytännöt vaurioiden estämiseksi, tai laitteen tai muun omaisuuden tuhoutumisen estämiseksi.

VAROITUS -tekstiä käytetään ilmaisemaan mahdollinen vaara, joka vaatii oikeita toimenpiteitä tai käytäntöjä vammojen välttämiseksi.

VAARA -tekstiä käytetään vain kun toiminta tai sen puute voi aiheuttaa vakavan vamman tai jopa kuoleman.



VAROITUS: Käytä henkilökohtaisia suojavarusteita kun käytät hydraulilaitteita.



VAROITUS: Pysy etäällä hydrauliiikan kannattelemissa kuormista. Sylinteriä, jota käytetään kuorman nostolaitteena, ei pitäisi koskaan käyttää kuorman kannattelulaitteena. Kun kuorma on nostettu tai laskettu, se pitää aina tukea mekaanisesti.



VAROITUS: KÄYTÄ VAIN JÄYKKIÄ OSIA KANNATTELEMAAN KUORMIA. Valitse huolellisesti teräs- tai metalliesteet, jotka kykenevät kannattelemaan kuormaa. Älä koskaan käytä hydraulisyylinteriä kiilana tai välikappaleena nosto- tai puristussovelluksille.



VAARA: Henkilövammojen välttämiseksi pidä kädet ja jalat etäällä kiristysavaimen vastavoimasta ja työkalusta käytön aikana.



VAROITUS: Järjestelmän käyttöpaine ei saa ylittää järjestelmän alimmalle luokitellun osan painearvoa. Asenna painemittarit järjestelmään tarkkailemaan



käyttöpainetta. Se on ikkuna siihen mitä järjestelmässä tapahtuu.



VAROVAISUUS: Vältä hydrauliletkujen vaurioittamista.

Vältä teräviä kulmia ja kiertymiä kun reitität hydrauliletkuja. Vääntyneen tai kiertyneen letkun käyttö voi aiheuttaa vakavan paluupaineen. Terävät kulmat ja kiertymät vaurioittavat sisäisesti letkua, mikä johtaa ennenaikaiseen vikaan letkussa.



Älä pudota painavia esineitä letkun päälle. Terävä kosketus voi aiheuttaa sisäisen vaurion letkun lankasäikeisiin. Paineen johtaminen vaurioituneeseen letkuun voi saada sen repeämään.



TÄRKEÄÄ: Älä nosta hydraulilaitteita letkuista tai kiertokytkimistä. Käytä kantokahvoja tai muita turvallisia kuljetusmuotoja.



VAROVAISUUS: Pidä hydraulilaitteet etäällä tulesta ja kuumuudesta. Liiallinen lämpö pehmentää pakkaukset ja saumat, johtaen nestevuotoihin. Lämpö myös heikentää letkumateriaaleja ja pakkauksia. Optimaalisen toiminnan saavuttamiseksi, älä altista laitteita lämpötiloille, jotka ovat 150 °F (65 °C) tai korkeampia. Suojaa letkut ja sylinterit hitsausroiskeilta.



VAARA: Älä käsittele paineistettuja letkuja. Vapautuva öljy voi paineen alla mennä ihon läpi, aiheuttaen vakavan vamman. Jos öljyä ruiskuu ihon alle, ota välittömästi yhteys lääkäriin.



VAROITUS: Käytä vain hydraulisia momenttiavaimia pikaliittimet kytkettynä. Öljy ei virtaa pikaliittimessä jos ne on kierretty osittain kiinni. Älä ylikuormita avainta.



TÄRKEÄÄ: Hydraulilaitteita saa huoltaa vain pätevä hydrauliteknikko. Ota yhteys valtuutettuun ENERPAC-huoltokeskukseen korjauspalveluiden suhteen. Takuun säilyttämiseksi, käytä vain ENERPAC-öljyjä.



VAROITUS: Vaihda välittömästi kuluneet tai vaurioituneet osat aidoilla ENERPAC-osilla. Standardilaatuiset ovat hajoavat, aiheuttaen henkilövammoja ja omaisuuden tuhoutumista. ENERPAC-osat ovat suunniteltu sopimaan kunnolla ja kestävästi raskaita kuormia.



VAROITUS: Älä käytä sähköisiä pumppuja räjähdysherkissä olosuhteissa. Noudata kaikkia paikallisia ja kansallisia sähkösäätöjä. Pätevän sähkömiehen on tehtävä asennus ja muutokset.



VAROITUS: Pidä kädet etäällä liikkuvista osista ja paineistetuista letkuista.



VAROITUS: Näissä pumpuissa on sisäiset tehtaassa säädetyt varoventtiilit, joita ei saa korjata tai säätää muut kuin valtuutetut Enerpac-huoltokeskukset.



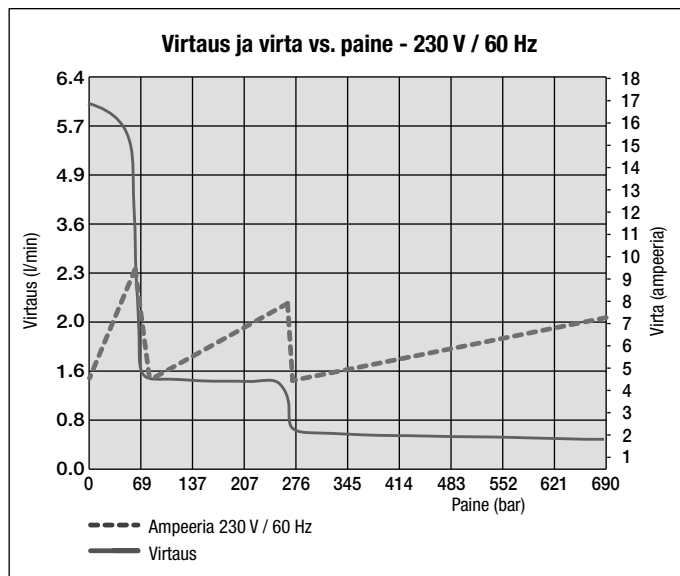
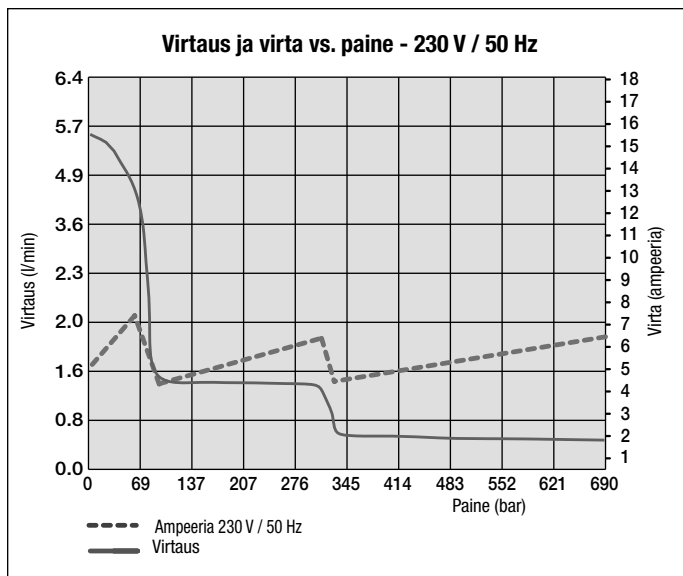
VAROVAISUUS: Katso erittelyt estääksesi vauriot pumpun sähkömoottorille. Väärän virtalähteen käyttö vaurioittaa moottoria.

3.0 TUOTETIEDOT

3.1 Tekniset tiedot

Malli	Moottorin koko	Maks. käyttö-paine	Moottorin sähkö tiedot	Ulostulovirtaus			Melu-taso	Paineen alennus-venttiilin säätöalue	Liki-määräinen paino ilman öljyä
	HP [kW]	psi [bar]	Voltit-vaihe-Hz	1. vaihe	2. vaihe	3. vaihe	dBA	psi [bar]	lbs. [kg]
TQ-700E	1.0 [0,75]	10,000 [700]	230-1-50	320 tuumaa ³ [5,25 l/min] at 100 psi:ssä [6,9 bar]	82 tuumaa ³ [1,34 l/min] at 4,300 psi:ssä [296 bar]	30 tuumaa ³ [0,49 l/min] at 10,000 psi:ssä [700 bar]	82-85	1,400-10,000 [140-700]	66 [30]
TQ-700I	1.0 [0,75]	10,000 [700]	230-1-60	380 tuumaa ³ [6,23 l/min] at 100 psi:ssä [6,9 bar]	98 tuumaa ³ [1,61 l/min] at 4,300 psi:ssä [296 bar]	38 tuumaa ³ [0,63 l/min] at 10,000 psi:ssä [700 bar]	75-79	1,400-10,000 [140-700]	66 [30]

3.2 3.2 Tehokaaviot



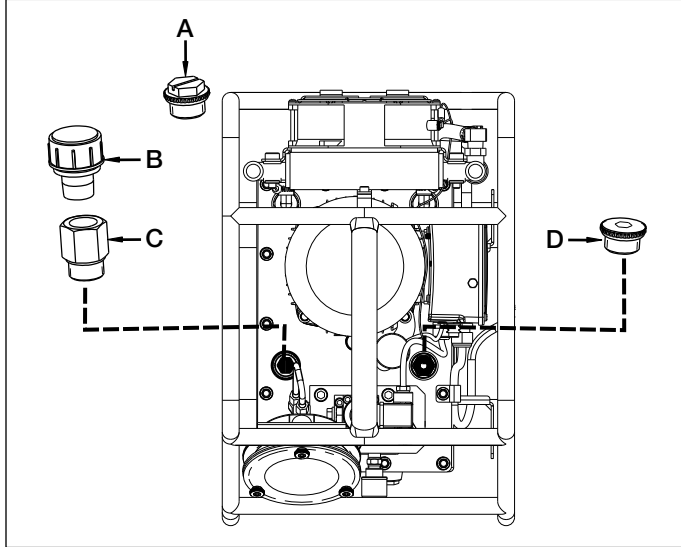
Huomautus: Todellinen virrankulutus vaihtelee sovelluksesta riippuen.

4.0 ASENNUS

Sijoita pumppu siten, että ilmavirtaus moottorin ja pumpun ympärillä on esteetön. Pidä moottori puhtaana maksimaalisen jäähtyksen varmistamiseksi käytön aikana.

4.1 Säiliön ilmakorkki

Katso kuva 1. Säiliön yläosassa olevaan ilma-aukkoon on asennettu kuljetustulppa (A). Vaihda ennen pumpun käyttöönottoa tämä kuljetustulppa (A) säiliön ilmakorkkiin (B) ja liitinkappaleeseen (C).

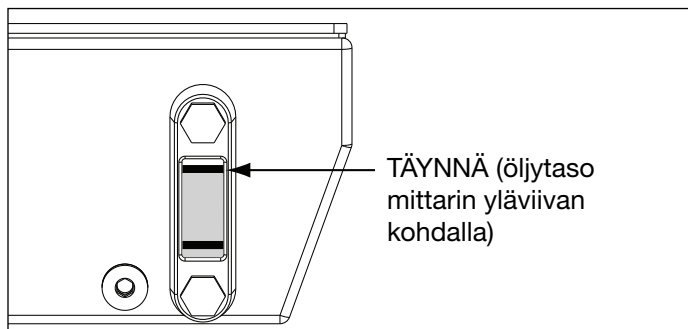


Kuva 1: Säiliön ilma-aukko ja öljyntäyttötulppa

4.2 Öljytaso

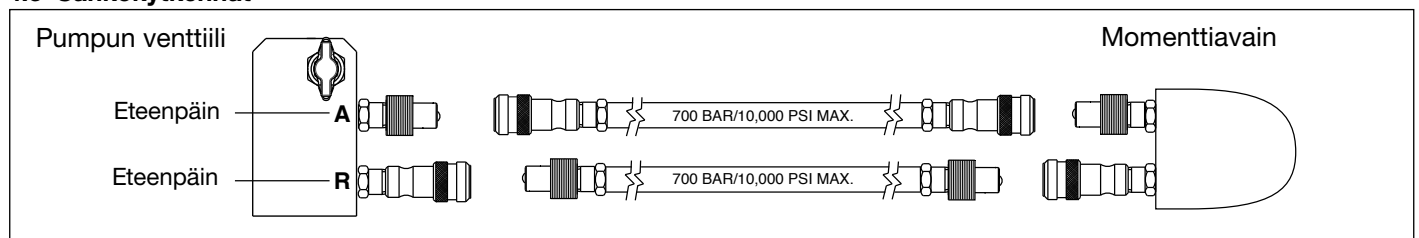
Tarkista pumpun öljymäärä ennen käynnistystä. Säiliö on täynnä, kun öljyn pinnantasoo on tarkastuslasin yläviivan kohdalla (ks. kuva 2). Lisää öljyä tarvittaessa ja irrota sitä varten öljyntäyttötulppa (D) täyttöputkesta kuvan 1 osoittamalla tavalla. Käytä Enerpac HF-öljyä (ISO-luokka 32).

TÄRKEÄÄ: Lisää öljyä vain, kun järjestelmän kaikki osat on vedetty kokonaan takaisin. Muussa tapauksessa järjestelmässä on enemmän öljyä kuin säiliön tilavuus sallii. Öljyn pinnantasoo voi olla mittarin yläviivan yläpuolella, mutta sen tulisi jäädä vähintään 2,5 cm pumpun suojaevyn alapuolelle.



Kuva 2: Öljyn tarkastuslasi

4.3 Sähkökytkennät



Kuva 5: Letkun tiedot (näkömä ylhäältä)



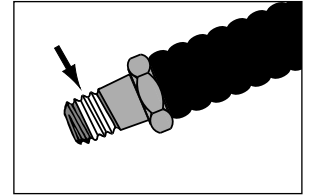
VAROITUS: Pumppu on varustettu tehtaalla tavanomaisella sähköpistokkeella annetulle jännitteelle. Pistoketypin saa muuttaa vain pätevä sähköasentaja kaikkia sovellettavia paikallisia ja kansallisia sääntöjä noudattaen.

1. Katkaisu- ja linjapiirin suojaus on asiakkaan vastuulla. Linjapiirin suojauksen on oltava 115 % moottorin täyskuormitusvirrasta sovelluksen enimmäispaineella.

2. Katso lisätietoja pumpun tyyppikilvestä ja nimellisteho moottorin arvokilvestä. Katso myös luvusta 3.2.

4.4 Hydrauliliitännät

Kierteitettyjen liittosten kuten liittimien on oltava tiukasti kiinni ja vuotamattomia. Kierrä 11/2 kierrosta teflonteippiä (tai sopivaa kierrettiivistettä) kaikkiin tiivisteisiin. Jätä ensimmäinen kierre kokonaan vapaaksi, jotta hydraulipiiriin ei pääse epäpuhtauksia. Katkaise irtonaiset päät.



Kuva 3: Kierrettiiviste

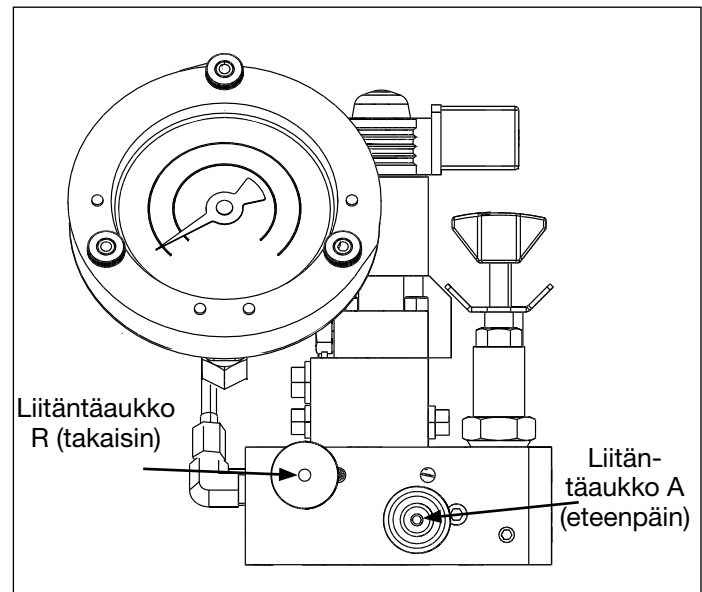
TÄRKEÄÄ: Ole erityisen huolellinen, ettei teipin kappaleita pääse hydraulijärjestelmään.

Kytke letkut kuvissa 4 ja 5 näkyvällä tavalla.

Käytä letkuja, joiden nimellinen käyttöpaine on 700 bar/10000 psi. Liittimien on oltava polarisoituja (ks. kuva 5) oikean vääntötoiminnon takaamiseksi. Varmista ennen käyttöä, että liittimet on täysin kytketty ja kiristetty. Osittainen liittinkytkentä estää oikean vääntötoiminnan.



VAROITUS: Kun käytetään pumppuja, joissa on monivääntöinen jakoputkisto, varmista, että kaikkien käyttämättömien liittimien suojatulpat on asennettu ennen pumpun käynnistämistä.



Kuva 4: Venttiilin liitokset

5.0 KÄYTTÖ

5.1 Ennen pumpun käyttämistä

1. Asenna säiliön ilmakorkki ja tarkasta öljyn pinnantasoo kuten on kuvattu luvuissa 4.1 ja 4.2.
2. Asenna vääntömomentin ilmaiseva päällyys (jos käytössä) luvussa 5.5 kuvatulla tavalla.
3. Aseta paine (vääntömomentti) luvussa 5.6 kuvatulla tavalla.
4. Liitä hydrauliletkut kuten luvussa 4.4 on kuvattu.

5.2 Riippuhjaimen käyttöpainikkeet

Katso kuva 6.

Pendant "ON/ADV"

Buttonppuhjaimen ON/ADV-painike

Painike painettu -

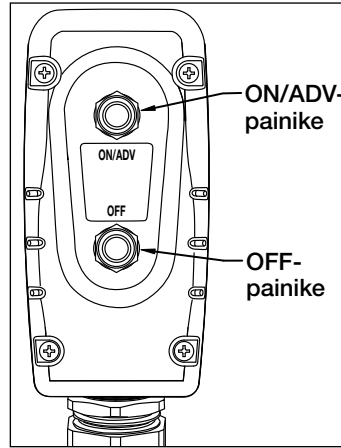
- moottori käynnistyy.
- vääntöavain LIIKKUU ETEENPÄIN niin kauan kuin painike on painettuna.

Painike vapautettu -

- kiintoavain VETÄYTYY TAKAISIN.
- moottori jatkaa käymistä 20 sekuntia.

Riippuhjaimen OFF-painike:

Moottori sammuu välittömästi, kun painiketta painetaan (ei aikaviivettä).



Kuva 6: Riippuhjaimen painikkeet

5.3 Pumpun käyttö

TÄRKEÄÄ: Jos mahdollista, vain yhden henkilön tulisi käyttää momenttiavainta ja pumppua. Siten voidaan estää pumpun tahaton käynnistyminen, kun käyttäjä asettaa momenttiavainta.



VAROITUS: ISeuraavassa vaiheessa pumpun moottori käynnistyy ja venttiili siirtyy automaattisesti vetäen momenttiavaimen takaisin. Varmista, että momenttiavain on paikoillaan ennen moottorin käynnistämistä loukkaantumisten tai laitevaurioiden estämiseksi.

1. Käynnistä pumppu painamalla riippuhjaimen ON/ADV-painiketta. Katso kuva 6. Moottori käynnistyy automaattisesti ja momenttiavain alkaa liikkua eteenpäin. Avain liikkuu eteenpäin niin kauan kuin painiketta painetaan. Painemittari näyttää syöttöpiirin paineen.

2. Vapauta ON/ADV-painike momenttiavaimen vetämiseksi takaisin. Kun painike vapautetaan, mittari näyttää paluupiirin paineen (R-portin ohitus), 173–193 bar (noin 2500–2800 psi).

3. Pysäytä pumppu painamalla painiketta OFF.

Huomautus: Jos ON/ADV-painiketta ei paineta 20 sekunnin kuluessa, pumpun sisäänrakennettu ajastin sammuttaa moottorin automaattisesti.

Huomautus: Kun momenttiavain kytketään ensimmäisen kerran pumppuun, hydraulipiiriin jää ilmaa loukkuun. Poista ilma asettamalla momenttiavain ja suoristetut letkut pumpun alle. Käytä momenttiavainta ilman kuormitusta, kunnes se liikkuu eteen- ja taaksepäin vaivatta.

5.4 Paineen vapauttaminen

Vapauta momenttiavaimen ja letkujen hydraulipaine:

- painamalla ja pitämällä OFF-painiketta painettuna. Katso kuva
- Jatka OFF-painikkeen painamista ja samalla paina ja vapauta ON/ADV-painike vähintään kolme kertaa, kunnes painemittari näyttää nolla (0) psi/bar. Letkut voidaan nyt irrottaa.

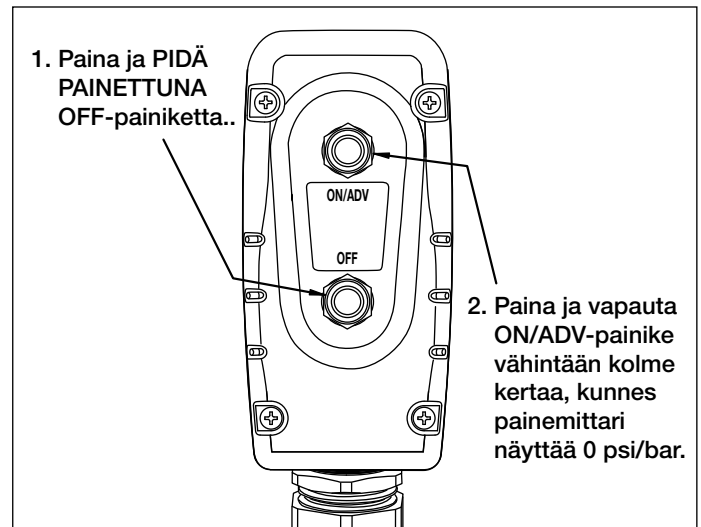


Figure 7, Relieving Pressure (using pendant buttons)

Jos painetta ei voi vapauttaa riippuhjaimen painikkeilla, paina lujasti venttiiliyksikön yläosassa sijaitsevaa manuaalisen ohituksen painiketta. Näin ohjausluisti siirtyy manuaalisesti ja vapauttaa loukkuun jääneen paineen.

TÄRKEÄÄ: Manuaalisen ohituksen painike on tarkoitettu vain tilapäiskäyttöön, kuten esimerkiksi sähkökatkon aikana.

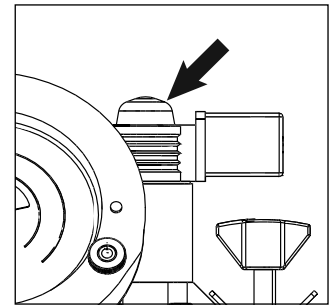


Figure 8, Manual Override Button (on valve)

5.5 Painemittarin vääntömomentin ilmaiseva päällyys y

Valikoituihin Enerpac-momenttiavainmalleihin yhdistetty pumppu on varustettu vääntömomentin ilmaisemalla päällyksellä käyttömukavuuden vuoksi.

Päällyys sopii painemittarin asteikkolevyyden ja se muuttaa helposti painelukemat vääntömomenttilukemiksi. Päällyksen toisella puolella ovat englantilaiset mittayksiköt (ft-lbs.) ja metriset yksiköt (Nm) ovat toisella puolella. Vaihda asteikot kääntämällä päällyys ympäri.



VAROITUS: Jokainen päällyys on mitoitettu sopivaksi VAIN Enerpac-momenttiavainmalleille. Älä käytä muita avainmalleja.

IAsenna päällyys seuraavalla tavalla. Katso kuva 9.

1. Irrota ylin siipiruuvi, joka pitää mittarin suoja paikallaan. Löysää mutta älä irrota kahta alemmaa siipiruuvia.

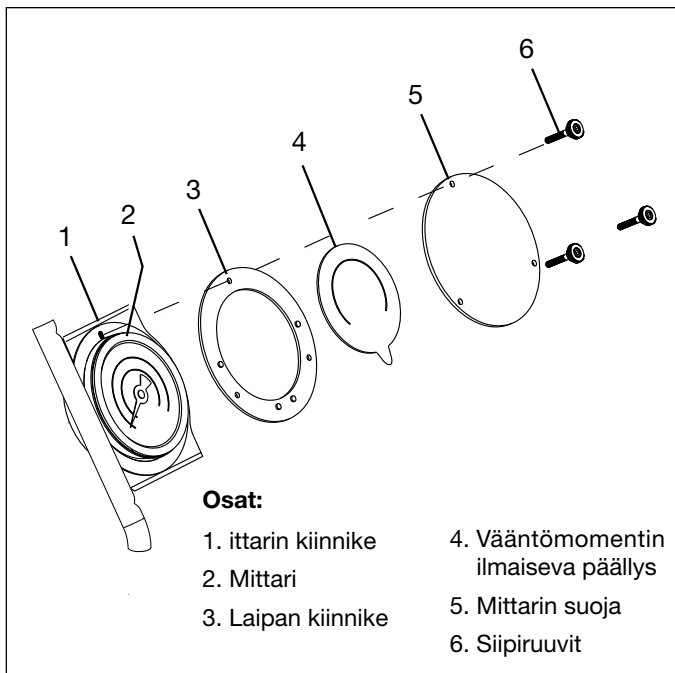
2. Aseta päällyys laipan kiinnikkeelle ja sovita päällyys kiinnikkeen koloihin.

TÄRKEÄÄ: Varmista aina, että asennat Enerpac-momenttiavaimelle sopivan päällyksen.

3. Kun päällyys on paikoillaan, kiristä alimmat kaksi siipiruuvia. Asenna ylin siipiruuvi takaisin ja kiristä.

4. Katso momenttiavainta koskevista ohjeista vaadittu hydraulipainemäärä halutun vääntömomentin saavuttamiseksi. Huomioi, että maksimipaine vaihtelee erilaisten vääntöavaimien ja lisävarusteiden kohdalla.

TÄRKEÄÄ: Katso momenttiavaimen ohjeista avaimen käyttötapa ja tekniset ominaisuudet.



Kuva 9: Mittarin päällys

5.6 Paineen (vääntömomentin) asetus

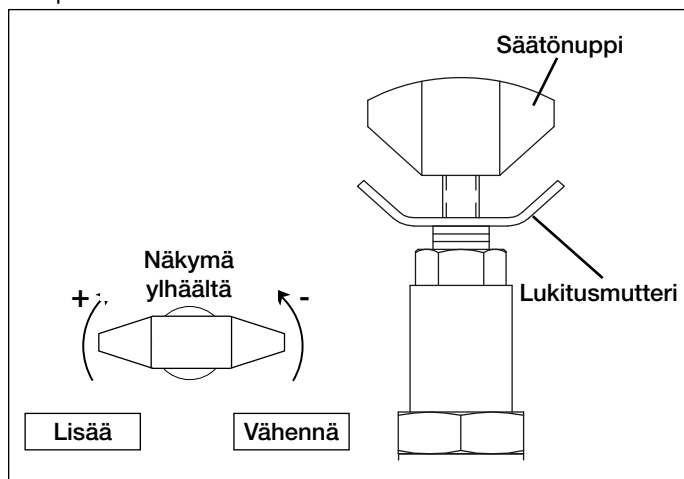
Momenttiavaimen kohdistuvan syöttöpaineen rajoittamiseksi säädä paineen asetusta alempana kuvatulla tavalla. Katso kuva 10.



VAROITUS: ASäädä pumpun paineen asetus

ENNEN kuin momenttiavain asetetaan mutterin tai pultin kantaan. Asetettu pumpun paine ei saa olla yllä sen paineen, joka sovelluksessa vaaditaan halutun vääntömomentin saavuttamiseksi. Vaaditun vääntömomentin ylittäminen aiheuttaa laitteen vaurioitumisen ja voi johtaa vakavaan henkilötapaturmaan.

1. Irrota letkut venttiilipesän A- ja R-porteista. Asenna liittimiin metalliset suojakorkit.
2. Löysää paineenalennusventtiiliin lukitusmutteria.
3. Pyöritä säätönuppia vastapäivään vaadittava määrä kierroksia tahattoman paineen muodostuksen estämiseksi.
4. Paina ja pidä painettuna riippuhjaimen ON/ADV-painiketta. Moottori käynnistyy ja A-portin syöttöpiiriin alkaa muodostua painetta.
5. Paina edelleen ON/ADV-painiketta ja kierrä säätönuppia HITAASTI myötäpäivään paineen lisäämiseksi tai vastapäivään paineen vähentämiseksi



Kuva 10: Paineasetuksen säätö

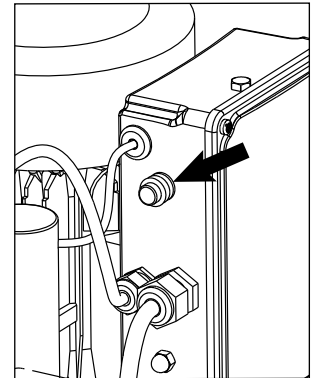
6. Vapauta riippuhjaimen ON/ADV-painike, jolloin järjestelmäpaine palaa R-portin takaisinventoasetukseen. Moottori jatkaa käymistään.
7. Paina ja pidä painettuna riippuhjaimen ON/ADV-painiketta ja tarkasta uudelleen syöttöpiiriin paineenasetus. Varmista, että painemittari näyttää halutun paineen.
8. Kun haluttu paine on saavutettu, kiristä paineenalennusventtiiliin lukitusmutteri

5.7 Pääkatkaisin

A push-button circuit breaker is Pääkatkaisin sijaitsee pumpun sähkökoteloissa.

Katso kuva 11. Pääkatkaisin laukeaa sähköisen ylikuormituksen sattuessa.

Kun olet tutkinut ja korjannut ylikuormituslähteen, työnnä pääkatkaisinta palauttaaksesi sen alkutilaan..



Kuva 11: Pääkatkaisin

6.0 HUOLTO

Tarkista säännöllisesti kaikki järjestelmän osat vuotojen tai vaurioiden varalta. Korjaa tai korvaa vaurioituneet osat. Sähköosat, kuten esimerkiksi virtajohto, saa korjata tai vaihtaa vain pätevä sähköasentaja kaikkia paikallisia ja kansallisia säädöksiä noudattaen.



VAROITUS: Irrota pumppu sähkövirrasta ennen huolto- tai korjaustöiden aloittamista.

6.1 Vaihda öljy ja puhdista säiliö

Enerpac HF-öljy on väriiltään kirkkaan sinistä. Tarkasta öljy säännöllisesti likaantumisen varalta vertaamalla pumpussa olevaa öljyä uuteen Enerpac-öljyyn. Yleisenä sääntönä on, että säiliö on tyhjennettävä kokonaan ja puhdistettava 250 käyttötunnin välein tai useammin, jos pumppua on käytetty likaisessa ympäristössä.

Huomautus: Tämä toimenpide vaatii, että poistat pumpun säiliöstä. Työskentele puhtaalla penkillä ja hävitä käytetty öljy paikallisten määräysten mukaan.

Vaihda öljy ja puhdista säiliö seuraavalla tavalla. Katso pumpun korjausosaluettelosta osien tunnistus ja purku-/asennusohjeet.

1. Kytke pumpun virtajohto irti pistorasiasta.
2. Irrota poistoputken tulppa ja tyhjennä kaikki öljy säiliöstä. Puhdista säiliö ja laita poistoputken tulppa takaisin.
3. Irrota vasemman- ja oikeanpuoliset sivupaneelit turvakehikosta.
4. Irrota putket mittarista.

Huomautus: Oil may flow from disconnected hoses during the next step. Place a suitable container under hose ends to catch any oil.

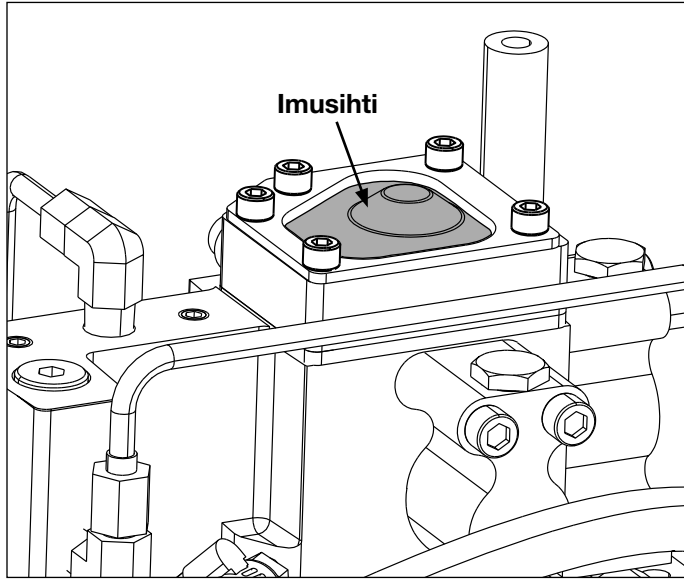
5. Löysää säiliön öljynjäähdyttimen letkujen liittimet. Vedä letkut varovasti ulos liittimistä.
6. Kytke jäähdyttimen tuulettimen kaapeli irti tuulettimesta. Irrota maadoitusjohto (vihreä) tuulettimen maadoitusruuvista.
7. Irrota pultit, jotka kiinnittävät pumpun säiliön turvakehikkoon. Poista pumppu turvakehikosta.
8. Kelaa pumpun virtajohto ja riippukaapeli auki johdon säilytyspidikkeestä.
9. Irrota kaksi pulttia, jotka kiinnittävät johdon säilytyspidikkeen pumpun suojaletkuihin. Irrota kiinnike, tiivistevaluslevyt ja kuparialuslevyt.

10. Poista jäljellä olevat pultit ja kuparialuslevyt pumpun ylälevyn ulkoreunan ympäriltä.
11. Nosta pumppuyksikkö varovasti pois säiliöstä.
12. Pyyhi säiliön sisäpinnat. Puhdista säiliö perusteellisesti sopivalla puhdistusaineella.



VAROITUS: Noudata valmistajan ohjeita käyttäessäsi puhdistus- ja liuotinaineita. Käytä sopivaa käsi- ja silmiensuojaimia.

13. Ruuvaa irti viisi kuusiokolokantaruuvia, jotka kiinnittävät imusihtin 1. vaiheen hammaspyöräpumppuun. Varo, ettet irrota keskilevyä tai hammaspyörää.



Kuva 12: Imusihti

(Huomautus: pumppu irrotettuna säiliöstä ja ylösalaisin)

14. Irrota imusihti ja puhdista palamattomalla liuotinaineella. Puhalla sihti kuivaksi ja puhtaaksi.



VAROITUS: Käytä sopivaa silmiensuojainta käyttäessäsi paineilmaa. Älä ylitä 30 psi:n painetta puhdistustöissä.

15. Asenna imusihti takaisin paikoilleen. Kiristä viisi kuusiokolokantaruuvia 8,5 Nm:n kireyteen.
16. Asenna uusi säiliön tiiviste.
17. Asenna pumppu ja säiliö takaisin noudattamalla vaiheita 1-11 päinvastaisessa järjestyksessä.

Huomautus: Asentaessasi kiinnittämiä takaisin kiristä ne seuraavaan kireyteen:

- **Säiliön ylälevyn kiinnityspultit:** Käytä Loctite 243:a kierteisiin ja kiristä 5,6–6,7 Nm:n kireyteen.
 - **Turvakehikon pultit:** Käytä Loctite 243:a kierteisiin ja kiristä 13,5–15,8 Nm:n kireyteen.
 - **Sivupaneelin pultit:** Käytä Loctite 243:a kierteisiin ja kiristä 6,7–8,1 Nm:n kireyteen.
18. Täytä säiliö puhtaalla Enerpac HF-hydrauliöljyllä (ISO-luokka 32). Säiliö on täynnä, kun öljytaso on kuvan 2 esittämässä kohdassa.

7.0 VIANETSINTÄ (Katso vianmääritysopas)

Vain pätevä hydrauliiikan tekniikko saa huoltaa pumpun tai järjestelmän osat. Järjestelmävirhe voi olla (muttei aina ole) seurausta pumpun toimintahäiriöstä. Ongelman selvittämiseksi koko järjestelmä täytyy diagnosoida.

Vianmääritysoppaan tiedot ovat vain apumateriaalina selvitetessä, onko ongelmaa. Korjaushuoltoa varten ota yhteys paikalliseen Enerpacin valtuuttamaan huoltokeskukseen.

Vianmääritysopas		
Ongelma	Mahdollinen syy	Toimenpide
Pumppu ei käynnisty, kun ON/ADV-painiketta painetaan.	Ei virtaa.	Yhdistä virta.
	Virtajohto vaurioitunut.	Varmista, että virtajohto ei ole vaurioitunut.
	Virrankatkaisin lauennut.	Nollaa painamalla virrankatkaisinta.
	Matala jännite.	Sammuta muut sähköiset kuormat. Käytä paksumpaa mittarin jatkojohtoa.
	Riippuohjain vaurioitunut.	Korjaa riippuohjain. Ota yhteys valtuutettuun huoltokeskukseen.
Moottori pysähtyy kuormitettuna.	Matala jännite.	Nollaa painamalla virrankatkaisinta (jos lauennut).. Turn off other electric loads. Use heavier gauge extension cord.
	Öljy on kylmää.	Nollaa painamalla virrankatkaisinta (jos lauennut). Anna pumpun käydä 140 barin paineella (2000 psi) viiden minuutin ajan, jotta öljy lämpenee ennen pumpun käyttöä. Käytä kylmissä olosuhteissa Enerpac LX-öljyä (ISO-laatu luokka 15).

(jatkuu seuraavalla sivulla)

Vianmääritysopas (jatkuu)

Ongelma	Mahdollinen syy	Toimenpide
Pitää kovaa ääntä.	Järjestelmään on jäänyt ilmaa loukkuun.	Poista ilma järjestelmästä.
	Säiliön ilmakorkkia ei ole asennettu.	Poista kuljetustulppa ja asenna ilmakorkki luvun 4.1 ohjeiden mukaan.
	Matala öljytaso.	Varmista, että öljysäiliö on täytetty normaalille tasolle. Lisää öljyä luvun 4.2 mukaisesti.
	Ilmavuoto.	Tarkasta kaikki kohdat, joista ilmaa tulee järjestelmään. Kiristä liittimet ja tee tarvittavat korjaukset.
	Imusihti tukossa.	Puhdista imusihti.
Sähköventtiili ei toimi.	Pumppuun ei tule virtaa tai jännite on väärä.	Kytke pumpun tyyppikilvessä ilmoitettuun virtalähteeseen.
	Solenoidin johto irronnut tai viallinen.	tke, korjaa tai vaihda johto.
	Solenoidikela ei toimi.	Ota yhteys valtuutettuun huoltokeskukseen.
Pumppu käy mutta ei pumpkaa öljyä. tai Pumppu ei muodosta täyttä painetta.	Pumppua ei ole käynnistetty.	Käytä pumppua muutaman minuutin ajan ja kallista sitä varovasti puolelta toiselle.
	Säiliön ilmakorkkia ei ole asennettu.	Poista kuljetustulppa ja asenna ilmakorkki luvun 4.1 ohjeiden mukaan.
	Matala öljytaso.	Lisää öljyä luvun 4.2 mukaisesti..
	Paineenalennusventtiilin paine asetettu liian alhaiseksi.	Säädä luvun 5.6 ohjeiden mukaan.
	Järjestelmän ulkopuolinen vuoto.	Tarkasta, korjaa ja vaihda osat tarpeen mukaan.
	Imusihti tukossa.	Puhdista imusihti.
	Pumpun sisäinen vuoto.	Ota yhteys valtuutettuun huoltokeskukseen.
	Venttiilin sisäinen vuoto.	
Sisäinen vuoto järjestelmäkomponentissa.		
Pumppu muodostaa täyden paineen, mutta momenttiavain ei liiku eteenpäin.	Vääntömomentti suurempi kuin avaimen kapasiteetti täydessä paineessa.	Käytä momenttiavainta, jolla on suurempi kapasiteetti.
	Syöttövirtaus momenttiavaimen rajoitettu tai estetty.	Tarkista luvun 4.4 ohjeiden mukaan, että liittimet ovat kytketyneet täysin.
Momenttiavain ei vetäydy takaisin.	Paluuvirtauslinja momenttiavaimesta rajoitettu tai estetty.	Tarkista luvun 4.4 ohjeiden mukaan, että liittimet ovat kytketyneet täysin. Käytä moottoria takaisin vetäytymisen aikana.
	Venttiilin toimintahäiriö.	Ota yhteys valtuutettuun huoltokeskukseen.
Painemittari ei näytä nolla (0) psi/bar, kun pumpun moottori on pysähtynyt.	Painetta ei ole vapautettu.	Vapauta paine luvun 5.4 mukaisesti.
	Painemittarin kalibrointi ei kohdallaan.	Anna pätevän kalibrointilaitoksen kalibroida painemittari uudestaan.
Pumppu kuumenee.	Syöttö- tai paluuvirtaus rajoitettu.	Tarkista luvun 4.4 ohjeiden mukaan, että liittimet ovat kytketyneet täysin.
	Matala öljytaso.	Lisää öljyä luvun 4.2 mukaisesti.
	Öljynjäähdyttimen tuuletin ei toimi.	Tarkasta öljynjäähdyttimen tuulettimen toiminta.
	Öljynjäähdyttimen lämmönvaihdin likainen tai tukkeutunut.	Poista lika öljynjäähdyttimen lamelleista ja tuulettimesta. Tarkasta öljynjäähdyttimen putket tukoksien varalta.

L3060 Rev. B 08/12

Oversikt over reparasjonsdeler for dette produktet er tilgjengelig fra hjemmesiden til Enerpac på www.enerpac.com, eller fra ditt nærmeste autoriserte Enerpac Service Senter eller Enerpac Salgskontor.

1.0 VIKTIG VED MOTTAK AV PRODUKTET

Foreta en visuell inspeksjon av alle komponenter for å forvisse deg om at ikke noe er skadd under transporten. Transportskader er ikke dekket av produktgarantien. Dersom du finner transportskader må du øyeblikkelig kontakte transportøren. Transportøren er ansvarlig for alle utgifter til reparasjon og nye deler som oppstår som en følge av transportskade.

SIKKERHET I HØYSETET

2.0 SIKKERHETSFRSKRIFTER



Les alle instruksjoner og advarsler nøye. Følg alle råd om sikkerhet for å unngå skade på person eller eiendom ved drift av systemet. Enerpac kan ikke påta seg

ansvar for skade på person eller materiell som følger av usikker bruk av produktet, mangel på vedlikehold eller uriktig bruk av produkt eller system. Kontakt Enerpac dersom du er i tvil om sikker bruk av produktet. Dersom du aldri har fått opplæring i hydraulisk høytrykkssikkerhet, bør du kontakte ditt distribusjons- eller servicesenter for et kostnadsfritt Enerpac Hydraulikk Sikkerhetskurs.

Det er viktig å rette seg etter følgende forskrifter og advarsler for å unngå skade på personer og utstyr.

FORSIKTIG brukes for å indikere korrekte prosedyrer for drift eller vedlikehold for å unngå skader på-, eller ødeleggelse av utstyret eller annen eiendom.

ADVARSEL indikerer en potensiell fare som krever korrekte prosedyrer eller bruksmåter for å unngå personskade.

FARE brukes kun når din handling eller mangel på handling kan forårsake alvorlig skade eller død.



ADVARSEL: Bruk riktig personlig verneutstyr når du bruker hydraulisk utstyr.



ADVARSEL: Hold deg klar av laster som støttes av hydraulikk. En sylindere, når den brukes til å løfte laster, bør aldri benyttes som lasteholder. Etter at lasten er hevet eller senket, må den alltid blokkeres mekanisk.



ADVARSEL: BRUK KUN SOLIDE DELER TIL Å HOLDE LASTER. Være nøye med å velge stål- eller treklosser som kan holde lasten. Bruk aldri en hydraulisk sylindere som en foring eller avstandshylse ved løft eller press.



FARE: For å unngå personskade må man holde hender og føtter unna muttertrekkerens reaksjonsarm og arbeidstykket ved bruk.



ADVARSEL: Systemets arbeidstrykk på ikke overstige trykkklasse av den lavest klasserte komponenten i systemet. Installer trykkmålere i systemet for å overvåke driftstrykk. Det er ditt vindu inn til hva som skjer i systemet.



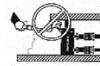
FORSIKTIG: Unngå skader på hydrauliske slanger. Unngå bøyning og krølling når de hydrauliske slangene legges ut. Å bruke en bøyd eller krøllet slange vil skape et alvorlig mottrykk. Skarpe bøyer eller krøll vil umiddelbart skade slangen og føre til tidlig slangefeil.



Ikke slipp tunge gjenstander på slangen. Et hardt slag kan føre til skade på slangens armering. Å sette trykk på en skadet slange kan få den til å revne.



VIKTIG: Ikke løft hydraulisk utstyr i slangen eller svivelkoblinger. Bruk bærehåndtaket eller andre sikre måter å bære på.



FORSIKTIG: Hold hydraulisk utstyr unna åpen ild og varme. For mye varme vil gjøre pakninger og forseglinger bløte, noe som fører til væskelekkasje. Hete svekker også slangematerialet og pakninger. For best mulig ytelse bør ikke utstyret utsettes for temperaturer over 65 °C. Beskytt slanger og sylindere mot sveisesprut.



FARE: Ikke håndter slanger under trykk. Oljesprut under trykk kan gå gjennom huden og gjøre alvorlig skade. Dersom olje er trenger gjennom huden må man oppsøke lege med en gang.



ADVARSEL: Bruk kun muttertrekkere i et tilkoblet system. Bruk aldri en muttertrekker uten tilkoblede koblinger. Hvis muttertrekkeren blir ekstremt overbelastet kan komponenter feile katastrofalt og forårsake alvorlige personskader.



VIKTIG: Hydraulisk utstyr må kun få service av en kvalifisert hydraulikktekniker. For reparasjoner, kontakt et Autorisert ENERPAC Servicesenter i din region. For å beskytte garantien, bruk bare ENERPAC hydraulikkolje.



ADVARSEL: Bytt umiddelbart ut slitte eller skadde deler med ekte ENERPAC-deler. Uoriginale deler vil gå i stykker og forårsake skade på personer og eiendom. ENERPAC-deler er designet for å passe riktig og for å tåle store påkjenninger.



ADVARSEL: Ikke bruk elektriske pumper i eksplosiv atmosfære. Følg alle lokale- og nasjonale elektriske forskrifter. La en kvalifisert elektriker gjøre installasjon og modifikasjoner.



ADVARSEL: Hold hendene unna bevegelige deler og slanger under trykk.



ADVARSEL: Disse pumpene har interne, fabrikkjusterte avlastningsventiler, som ikke kan repareres eller justeres av andre enn et Autorisert Enerpac Servicesenter.



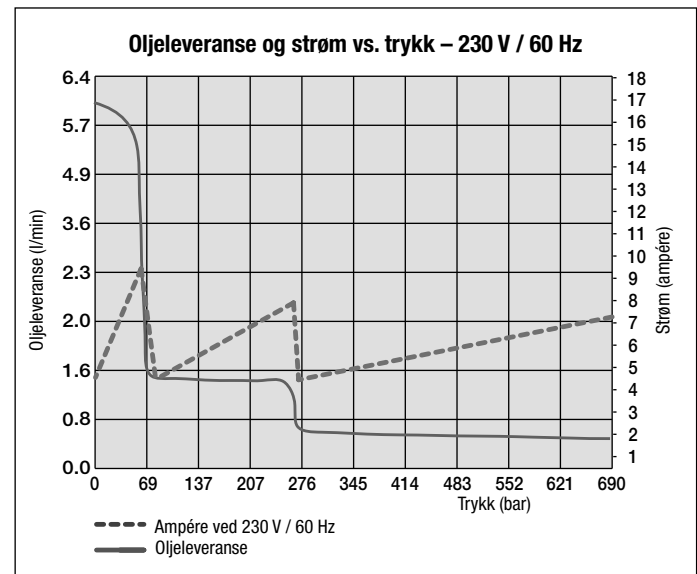
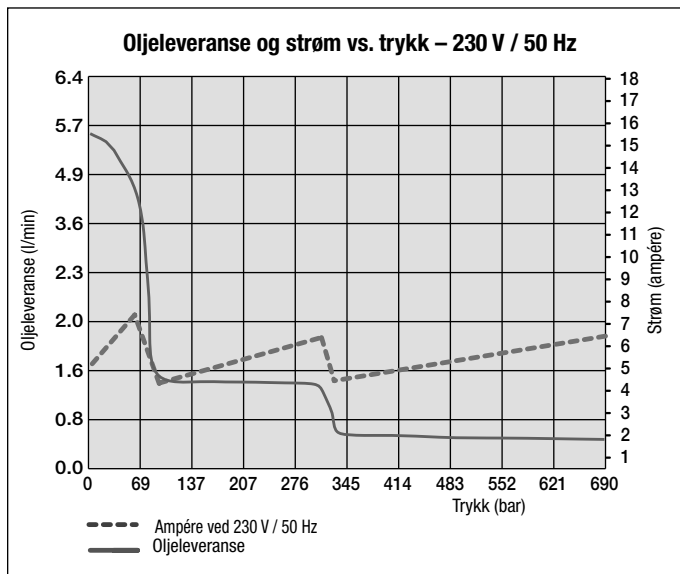
FORSIKTIG: Sjekk spesifikasjonene for å unngå skade på pumpens elektriske motor. Bruk av feil strømkilde vil skade motoren.

3.0 PRODUKTDATA

3.1 Spesifikasjoner

Modell	Motor str.	Maksimalt arbeidstrykk	Motorelektriske spesifikasjoner	Olje leveranse			Lyd-nivå	Justerings-område for avlastnings-ventilen	Omtrentlig vekt uten olje
	HP [kW]	psi [bar]	Volt-Fase-Hz	1. trinn	2. trinn	3. trinn	dBA	psi [bar]	lbs. [kg]
TQ-700E	1.0 [0,75]	10,000 [700]	230-1-50	320 in ³ [5,25 l/min] ved 100 psi [6,9 bar]	82 in ³ [1,34 l/min] ved 4,300 psi [296 bar]	30 in ³ [0,49 l/min] ved 10,000 psi [700 bar]	82-85	1,400-10,000 [140-700]	66 [30]
TQ-700I	1.0 [0,75]	10,000 [700]	230-1-60	380 in ³ [6,23 l/min] ved 100 psi [6,9 bar]	98 in ³ [1,61 l/min] ved 4,300 psi [296 bar]	38 in ³ [0,63 l/min] ved 10,000 psi [700 bar]	75-79	1,400-10,000 [140-700]	66 [30]

3.2 Ytelsesdiagrammer



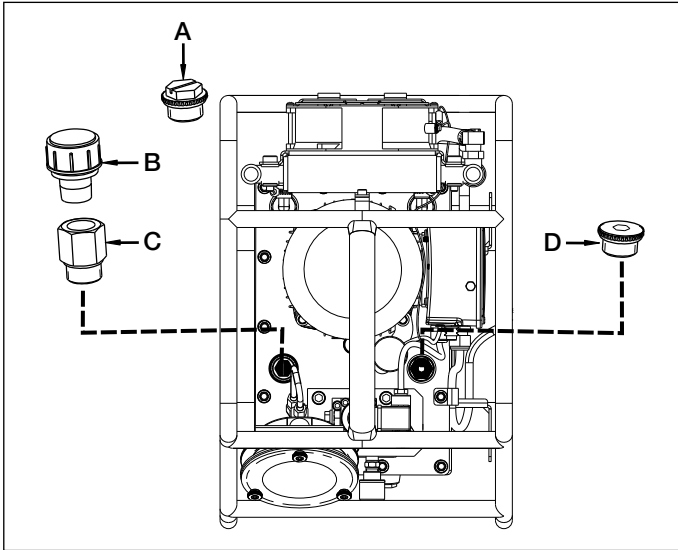
Merk: Faktisk strømforbruk vil variere med bruksområdet.

4.0 INSTALASJON

Plassér pumpen slik at luftstrømmen rundt motoren og pumpen er uhindret. Hold motoren ren for å sørge for maksimal kjøling under bruk.

4.1 Tankens luftelukk

Se figur 1. Det sitter en transportplugg (A) i luftpporten på toppen av tanken. Før du bruker pumpen må du skifte ut transportpluggen (A) med luftelokket (B) og adapterkopligen (C).

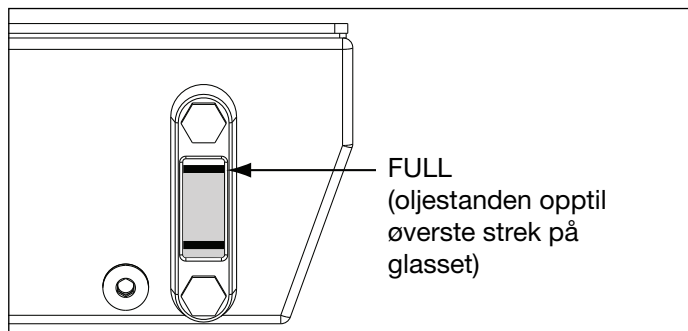


Figur 1, luftelukk og oljefylleplugg

4.2 Oljenivå

Kontroller oljenivået på pumpen før oppstart. Tanken er full når oljestanden er opp til den øverste streken på nivåglasset, som vist i Figur 2. Om nødvendig, etterfyller du olje ved å ta oljefyllepluggen (D) ut av påfyllingsrøret, som vist i Figur 1. Bruk Enerpac HF-olje (ISO-grad 32).

VIKTIG: Etterfyll olje når alle systemkomponenter er fullstendig returnert, hvis ikke vil systemet inneholde mer olje enn det er plass i tanken. Oljestanden kan være over den øverste streken på nivåglasset, men bør være minst 2,5 cm [1 in] under undersiden av pumpens dekselplate.



Figur 2, Oljenivåglass

4.3 Elektriske koblinger

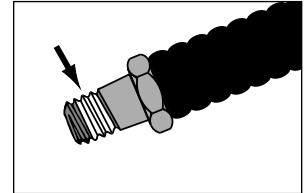


ADVARSEL: TPumpen leveres fra fabrikk med et vanlig elektrisk støpsel for en bestemt spenning. Dette støpslet bør kun endres av en kvalifisert elektriker, som må følge gjeldende lokale og nasjonale forskrifter.

1. Bryter og forsyningskretsbeskyttelse leveres av kunden. Forsyningskretsbeskyttelse må være 115 % av motorens effekt med full belastning ved maksimalt påsatt trykk.
2. For mer informasjon, se pumpens merkeskilt og/eller motorens merkeskilt for strømspesifikasjoner. Se også avsnitt 3.2.

4.4 Hydrauliske koblinger

Gjengende forbindelser, som kopliger, må strammes godt til og være uten lekkasjer. Bruk 1,5 omdreininger med teflontape (eller egnet gjengetning) på alle gjenger, men la første hele gjengen være fri for tape for at det ikke skal komme fremmedlegemer i hydraulikkretsen. Trim løse ender.



Figur 3, Gjengetning

VIKTIG: Vær forsiktig så det ikke kommer biter av tape inn i det hydrauliske systemet.

Koble til slangene som vist i Figur 4 og 5.

Bruk slanger for et nominel brukstrykk på 700 bar / 10 000 psi. Kuplingene må være i samsvar med Figur 5 for at muttertrekkeren skal fungere riktig. Påse at kuplingene er skrudd helt sammen og er trukket til før bruk. Dersom dette ikke er gjort vil ikke muttertrekkeren virke som den skal.



ADVARSEL: Når du bruker pumper med manifolder for flere muttertrekkere, påse at alle ubrukte koblinger har beskyttende hetter satt på før pumpen startes.

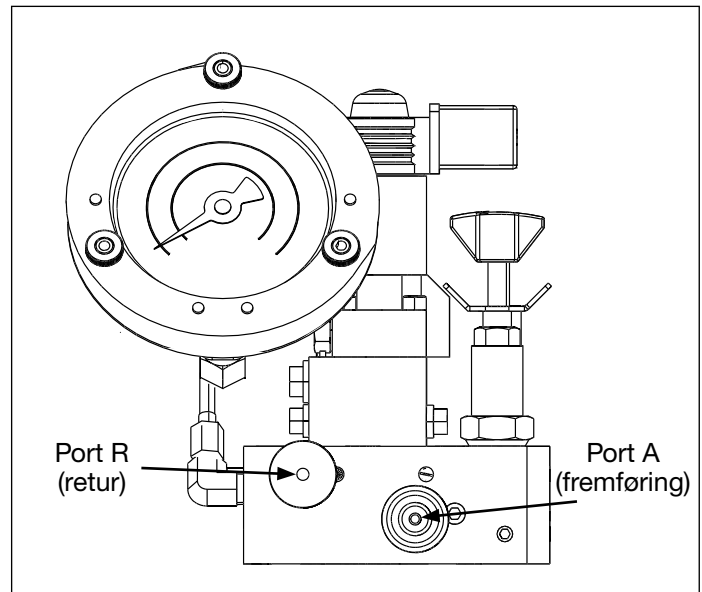
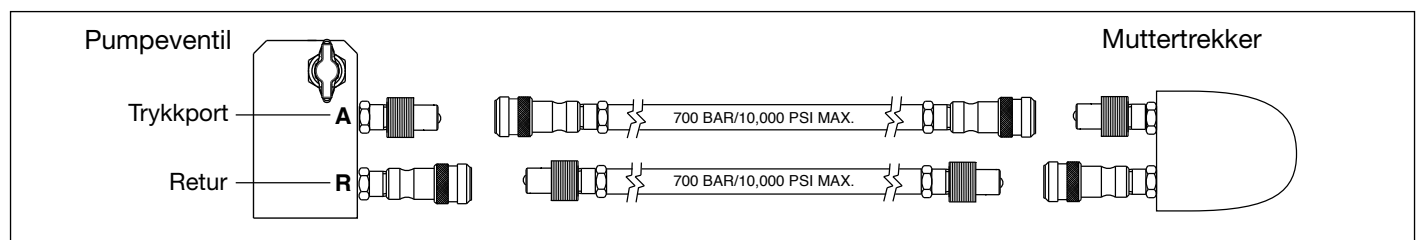


Figure 4, Ventilcuplinger



Figur 5, Slangedetaljer (sett ovenfra)

5.0 BRUK

5.1 Før du bruker pumpen

1. Installer tankens luftelukk og sjekk oljestanden som beskrevet i delene 4.1 og 4.2.
2. Eventuelt monteres også momentoverlegg som beskrevet i del 5.5.
3. Still trykket (momentet) som beskrevet i avsnitt 5.6.
4. Koble til hydraulikkslangene som beskrevet i avsnitt 4.4.

5.2 Fjernkontroller

Se Figur 6.

Fjernkontrollens "ON/ADV"-knapp:

Knappen trykket inn -

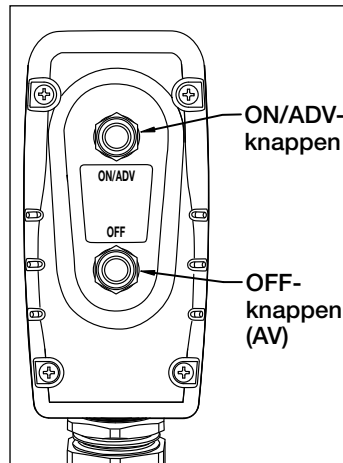
- Motoren starter.
- Muttertrekkeren tykk settes så lenge knappen holdes inne.

Knappen sluppet -

- Muttertrekkeren TREKKES TILBAKE.
- Motoren fortsetter å gå i 20 sekunder.

Fjernkontrollens "OFF"-knapp (av):

Motoren stopper øyeblikkelig når knappen trykkes.(ingen forsinkelse)



Figur 6, Fjernkontrollknapper

5.3 Betjening av pumpen

VIKTIG: Så sant det er mulig, bør én enkelt bruker betjene muttertrekkeren og pumpen. Dette det hindre at pumpen settes i gang utilsiktet mens operatøren plasserer muttertrekkeren.



ADVARSEL: I neste trinn vil pumpemotoren starte og ventilen vil sjalte automatisk, og muttertrekkeren trekkes tilbake. Kontroller at muttertrekkeren er plassert før du starter motoren slik at man unngår person eller utstyrsskade.

1. For å starte pumpen trykker du på "ON/ADV"-knappen på fjernkontrollen. Se Figur 6. Motoren vil starte automatisk og trekkeren vil begynne å "skru". Trekkeren vil fortsette med dette så lenge knappen holdes inne. Displayet/ manometeret vil vise trykket i fremføringskretsen.
2. Slipp "ON/ADV"-knappen for å trekke tilbake trekkeren. Etter at knappen slippes vil displayet/manometeret vise trykket i tilbaketrekingskretsen (R-port-bypass), ca. 173-193 bar [2 500-2 800 psi].
3. Trykk på "OFF"-knappen for å stoppe motoren.

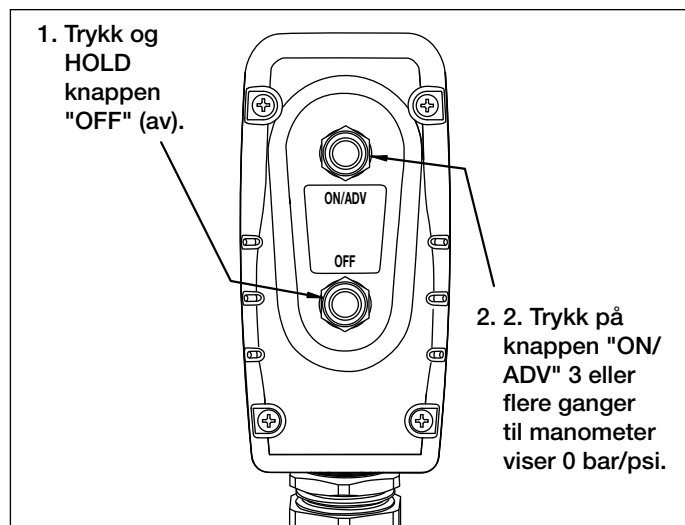
Merk: Hvis knappen "ON/ADV" ikke trykkes i løpet av en sammenhengende periode på 20 sekunder, vil pumpens innebygde teller automatisk slå av motoren.

Merk: Når muttertrekkeren først kobles til pumpen, vil det være luft i den hydrauliske kretsen. Fjern luften ved å plassere trekkeren og rette ut slangene lavere enn pumpen. Bruk trekkeren uten belastning etter behov, til den føres frem og trekkes tilbake med jevn bevegelse.

5.4 Avlaste trykk

Slik avlastes du hydraulisk trykk på trekker og slanger:

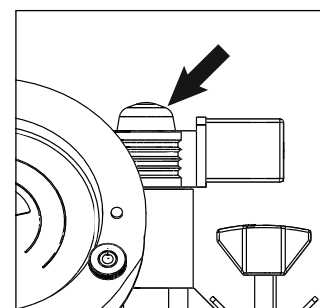
- Trykk og hold knappen "OFF" (av). Se Figur 7.
- Mens du holder inne knappen "OFF", trykker og slipper du knappen "ON/ADV" (på/fremføring) 3 eller 4 ganger til manometeret viser 0 bar/psi. Slangene kan nå tas av.



Figur 7, Avlaste trykk (med fjernkontrollknappene)

Hvis trykket ikke kan avlastes med bruk av fjernkontrollknappene, trykker du bestemt på den manuelle overstyringsknappen på toppen av ventilen. Dette vil manuelt sjalte ventilspolen og avlaste innestengt trykk.

VIKTIG: Den manuelle overstyringsknappen er kun beregnet på bruk i spesielle situasjoner, som ved et strømbrydd.



Figur 8, Manuell overstyringsknapp (på ventilen)

5.5 Manometer momentoverlegg

Det leveres momentoverlegg for utvalgte Enerpac muttertrekkermodeller sammen med pumpen.

Et momentoverlegg passer over målerens skive og konverterer trykk til vrimoment. Overlegget har fotpund enheter (ft-lbs) på en side og metriske enheter (Nm) på den andre siden. Skalaene skiftes enkelt ved å snu overlegget.



ADVARSEL: Hvert overlegg er KUN beregnet til en bestemt Enerpac muttertrekker. Må ikke brukes med andre muttertrekkerer.

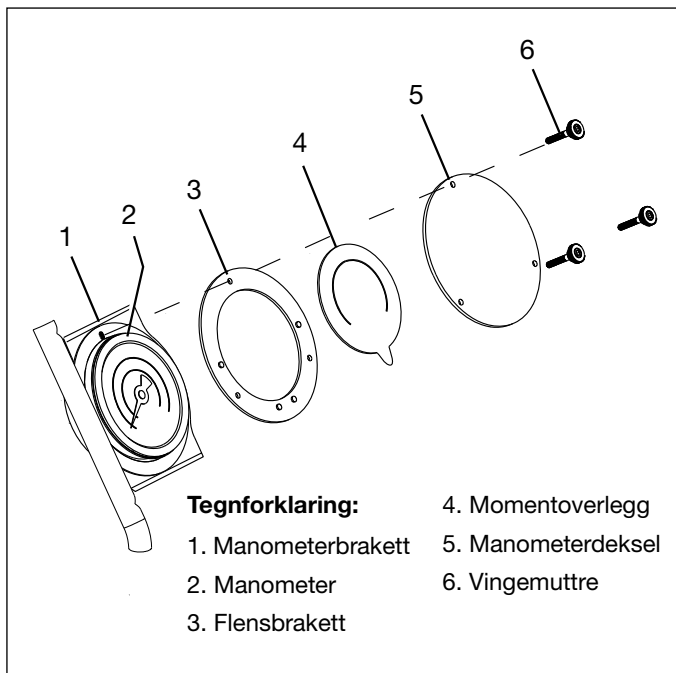
Installer et momentoverlegg som beskrevet i følgende trinn. Se Figur 9.

1. Fjern den øverste vingemutteren som holder manometerdekslet. Løsne (men ikke fjern) de nederste to vingemuttrene.
2. Plasser det ønskede overlegget på flensbraketten og juster overlegget inn med fordypningene på braketten.

VIKTIG: Kontroller alltid at du har installert riktig overlegg for den Enerpac muttertrekkeren som brukes.

3. Etter at overlegget er på plass, strammer du til de nederste to vingemuttrene. Sett på plass og stram til den øverste vingemutteren.
4. Se instruksjonene for muttertrekkeren for hvor mye trykk som kreves for å produsere ønsket vrimoment. Merk deg at maksimalt trykk varierer for ulike trekkerer og tilbehør.

VIKTIG: Se muttertrekkerens håndbok for prosedyrer og spesifikasjoner for bruk av muttertrekkeren.



Figur 9, manometeroverlegg

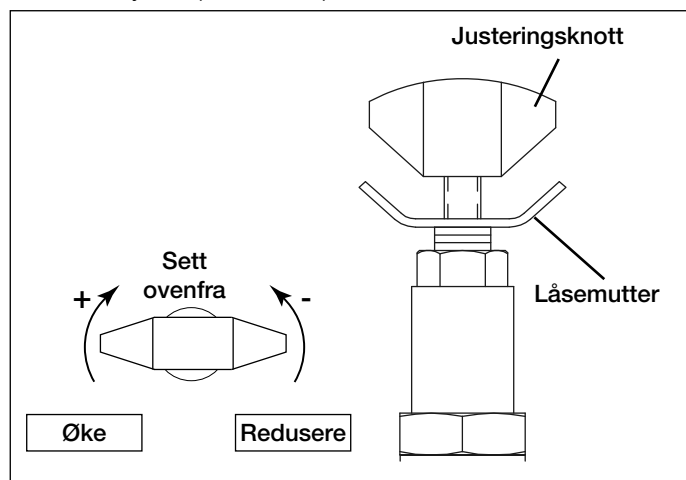
5.6 Innstilling av trykk (moment)

For å begrense fremføringstrykket til muttetrekkeren, justerer du trykkinnstillingen som beskrevet i følgende prosedyre. Se Figur 10.



ADVARSEL: Juster pumpens trykkinnstilling Gjør disse innstillingene FØR du setter muttetrekkeren på en mutter eller boltehode. Innstilt pumpetrykk skal ikke være høyere enn trykket som behøves for å skape ønsket vrimoment. Hvis nødvendig dreiemoment overskrides, kan det føre til skade på utstyret, og også til alvorlige personskader.

1. Koble slangene fra ventilmanifoldens A- og R-porter. Sett beskyttende metalhetter på kulingene.
2. Løse låsemutteren på avlastningsventilen.
3. Drei justeringsknotten mot klokken etter behov for å unngå utilsiktet oppbygging av trykk.
4. Trykk og hold knappen "ON/ADV" på fjernkontrollen. Motoren vil starte og trykket bygges opp i A-portens fremføringskrets.
5. Fortsett å holde fremføringsknappen ("ON/ADV") på fjernkontrollen nede, og drei hendelen på avlastningsventilen SAKTE med klokken for å øke trykket, eller mot klokken for å redusere trykket (etter behov).



Figur 10, Justering av trykkinnstilling

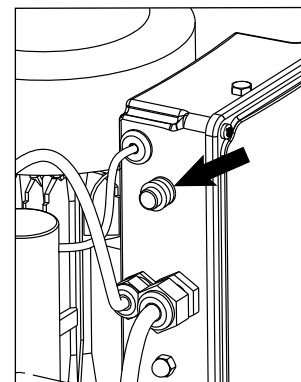
6. Slipp opp fremføringsknappen ("ON/ADV") på fjernkontrollen for å la systemtrykket returnere til R-portens tilbaketrekkingsinnstilling. Motoren vil fortsette å gå.
7. Trykk og hold knappen "ON/ADV" på fjernkontrollen igjen for å sjekke trykkinnstillingen for fremføringskretsen på nytt. Kontroller at ønsket trykk indikeres på trykkmåleren.
8. Etter at ønsket trykkinnstilling er nådd, trekker du til låsemutteren på avlastningsventilen.

5.7 Automatsikring

Det sitter en automatsikringsknapp på pumpens elektriske skap.

Se Figur 11. Ved en elektrisk overbelastning vil pumpens automatsikring slå ut.

Etter å ha undersøkt og korrigert kilden til overbelastningen, trykker du på automatsikringsknappen for å tilbake stille den.



Figur 11, Automatsikring

6.0 VEDLIKEHOLD

Inspiser alle systemkomponentene ofte for lekkasje eller skade.

Reparer eller skift ut skadede komponenter. Elektriske komponenter, for eksempel strømledningen, kan kun repareres av en godkjent elektriker, og alle nasjonale og lokale forskrifter må følges.



ADVARSEL: Koble pumpen fra strømmen før det utføres vedlikehold eller reparasjoner.

6.1 Skifte olje og rengjøre tanken

Enerpac HF-olje har en klar blåfarge. Sjekk oljen jevnlig for urenheter ved å sammenligne oljen på pumpen med frisk Enerpac-olje. Som en generell regel bør du tappe av all olje og gjøre rent tanken etter 250 timers bruk, eller oftere hvis utstyret brukes i spesielt skitne omgivelser.

Merk: Denne prosedyren krever at du fjerner pumpen fra tanken. Arbeid på en ren benk og fjern brukt olje i samsvar med lokale forskrifter.

Skift olje og rengjør tanken som beskrevet i følgende trinn. Se pumpens delaliste for identifikasjon av deler og opplysninger om demontering/montering.

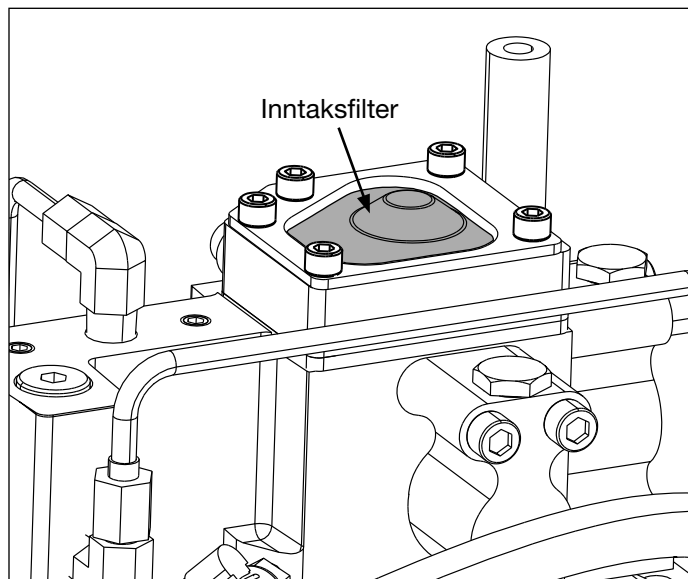
1. Trekk støpslet ut av stikkkontakten.
2. Fjern tappepluggen og tapp all olje av tanken og over i en egnet beholder. Gjør rent og sett på plass tappepluggen.
3. Fjern venstre og høyre sidepaneler fra rammen.
4. Koble rørene fra manometeret.
- Merk:** Det kan renne olje fra frakoblede slanger når disse skrues av fra kjøler. Plasser en egnet beholder under slangeendene for å fange opp olje.
5. Løsne klemmene på oljekjølerslangene på tanken. Trekk slangene forsiktig av kulingene.
6. Trekk ut kontakten til kjøleviften. Koble jordledningen (grønn) fra viftens jordskrue.
7. Fjern skruene som fester tanken til rammen. Ta pumpen av rammen.
8. Flytt strømledning og fjernkontrollens kabel fra ledningsbraketten.
9. Fjern de to skruene som fester ledningsbraketten til pumpens dekselplate. Fjern braketten, pakningskivene og kobberskivene.

10. Fjern resten av skruene og kobberskivene rundt ytterkanten av pumpens topplate.
11. Løft pumpeenheten forsiktig av tanken.
12. Tørk av tankens innvendige flater. Rengjør innsiden av tanken grundig med et passende rengjøringsmiddel.



ADVARSEL: Følg produsentens anvisninger når du bruker rengjøringsmidler og løsemidler. Bruk passende verneutstyr for å beskytte hender og øyne.

13. Fjern de fem unbrakohodeskruene som holder inntaksfilteret på 1.trinns girpumpen. Vær forsiktig så du ikke trekker senterplaten og tannhjulene fra hverandre.



Figur 12, Inntaksfilter

(Merk: pumpen vist fjernet fra tanken og plassert opp ned)

14. Fjern inntaksfilteret og rengjør det med et ikke-brennbart løsemiddel. Tørk deretter filteret med trykkluft.



ADVARSEL: Bruk passende øyebeskyttelse når du arbeider med trykkluft. Ikke overskrid 2 bar (30 psi) ved rengjøring.

15. Sett på plass inntaksfilteret. Trekk de fem unbrakoskruene til med 8,5 Nm [75 in-lbs].
16. Sett på en ny tankpakning.
17. Monter pumpen og tanken ved å følge trinn 1-11 i motsatt rekkefølge

Merk: Under monteringen må festemidlene trekkes til med følgende moment:

- **Tankfesteboltene på topplaten:** Smør Loctite 243 på gjengene og trekk til med 5,6-6,7 Nm [50-60 in-lbs].
 - **Rammeboltene:** Smør Loctite 243 på gjengene og trekk til med 13,5-15,8 Nm [120-140 in-lbs].
 - **Sidepanelboltene:** Smør Loctite 243 på gjengene og trekk til med 6,7-8,1 Nm [60-72 in-lbs].
18. Fyll tanken med ren Enerpac HF hydraulikkolje (ISO-grad 32). Tanken er full når oljestanden er som vist i fig. 2.

7.0 EILSØKING (Se Feilsøkingssguide)

Kun kvalifiserte hydraulikere bør utføre service på pumpen eller systemkomponentene. En systemfeil kan muligens være et resultat av en feifunksjon på pumpen. For å bestemme årsaken til problemet, må hele systemet inkluderes i alle diagnostiske prosedyrer.

Informasjonen i feilsøkingssguiden er ment å brukes kun som en hjelp til å bestemme om det finnes et problem. For reparasjoner bes du kontakte ditt lokale, autoriserte Enerpac servicesenter.

Feilsøkingssguide		
Problem	Mulig årsak	Tiltak
Pumpen starter ikke når du trykker på fjernkontrollens knapp "ON/ADV" (på/fremføring).	Ingen strøm.	Koble til strøm.
	Strømledningen er skadet.	Forsikre deg om at strømledningen er uskadet.
	Automatsikringen har slått ut.	Trykk inn pumpens automatsikringsknapp for å tilbakestille.
	Lav spenning.	T av andre elektriske laster. Bruk større målerledning.
	Pendant damage.	Reparer fjernkontrollen. Kontakt et autorisert servicesenter.
Motoren stanser under belastning.	Lav spenning.	Trykk på automatsikringsknappen for å tilbakestille (hvis utløst). Slå av andre elektriske laster. Bruk større kabel.
	Kald olje.	Trykk på automatsikringsknappen for å tilbakestille (hvis utløst). Kjør pumpen med 2 000 psi [140 bar] i 5 minutter for å varme opp oljen før pumpen brukes. Bruk Enerpac LX-olje (ISO-grad 15) i kaldt klima.

(forts. neste side)

Feilsøkingssguide (fortsatt)

Problem	Mulig årsak	Handling
Mye pumpestøy.	Luft i systemet.	Fjern luften fra systemet.
	Tankens luftelukk ikke installert.	Fjern transportpluggen og installer luftpluggen iht. avsnitt 4.1.
	Lav oljestand.	Påse at det fylt på olje til normalt nivå. Etterfyll olje i samsvar med avsnitt 4.2.
	Luftlekkasje.	Sjekk alle punkter der luften kan komme inn i systemet. Trekk til koplingene og/eller reparer etter behov.
	Inntaksfilteret tilstoppet.	Rengjør inntaksfilteret.
Elektrisk ventil virker ikke.	Ingen strøm eller feil spenning på pumpen.	Koble til korrekt strømkilde i samsvar med pumpens typeskilt.
	Solenoidledningen er frakoblet eller skadet.	Koble til, reparer eller skift ut ledningen.
	Magnetspolen virker ikke.	Kontakt et autorisert servicesenter.
Pumpen går men pumper ikke olje. eller Pumpen bygger ikke opp fullt trykk.	Pumpen er ikke primet.	Kjør pumpen i noen minutter mens du legger den litt forsiktig fra side til side.
	Tankens luftelukk ikke installert.	Fjern transportpluggen og installer luftlokket iht. avsnitt 4.1.
	Lav oljestand.	Tilsett olje i samsvar med avsnitt 4.2.
	Avlastningsventilens trykk er stilt for lavt.	Juster i samsvar med avsnitt 5.6.
	Ekstern systemlekkasje.	Inspiser og reparer eller skift ut deler etter behov.
	Inntaksfilteret tilstoppet.	Rengjør inntaksfilteret.
	Intern lekkasje i pumpen.	Kontakt et autorisert servicesenter.
	Intern lekkasje i ventilen.	
Intern lekkasje i en systemkomponent.		
Pumpen bygger opp fullt trykk, men muttertrekkeren beveger seg ikke.	Momentet er større enn muttertrekkerens kapasitet ved fullt trykk.	Bruk en muttertrekker med større kapasitet.
	Oljetilførsel til trekkeren er begrenset eller hindret.	Sjekk at koplingene er i fullt inngrep i samsvar med avsnitt 4.4
Muttertrekkeren kan ikke kjøres tilbake.	Returslangen fra trekkeren er begrenset eller blokkert.	Sjekk at koplingene har fullt inngrep i samsvar med avsnitt 4.4. Kjør motoren under tilbaketrekking.
	Funksjonsfeil på pumpen.	Kontakt et autorisert servicesenter.
Manometeret viser ikke (0) bar/psi når pumpemotoren har stanset.	Trykket ikke avlastet.	Avlast trykket iht. avsnitt 5.4.
	Trykkmåleren er ikke korrekt kalibrert.	Få trykkmåleren kalibrert av en kvalifisert kalibreringstjeneste.
Pumpen går varm.	Frømførings- eller tilbaketrekkningsstrømmen er begrenset.	Sjekk at koplingene har fullt inngrep i samsvar med avsnitt 4.4
	Lav oljestand.	ett olje i samsvar med avsnitt 4.2.
	Oljekjøleviften virker ikke.	Sjekk at oljekjøleviften virker riktig.
	Oljekjølerens varmeveksler er tildekket med skitt eller er tilstoppet.	Fjern all skitt fra oljekjøleribbene og viften. Sjekk oljekjølerørene for tilstopping.

L3060 Rev. B 08/12

Reparationsanvisningar för elektriska pumpar och till denna produkt finns tillgängliga på Enerpacs webbsida på www.enerpac.com, eller från ditt närmaste Enerpac auktoriserade servicecenter eller på Enerpacs försäljningskontor.

1.0 VIKTIGA MOTTAGNINGSPROCEDURER

Kontrollera att inga komponenter skadats under transport. Transportskador täcks inte av garantin. Meddela budet direkt om transportskador hittats. Budet ansvarar för alla reparations- och utbyteskostnader som uppkommit på grund av transportskador.

SÄKERHETEN FÖRST

2.0 SÄKERHETSFRÅGOR



Läs noggrant igenom alla instruktioner, varningar och försiktighetsåtgärder. Följ alla säkerhetsåtgärder för att undvika personskador eller skador på

egendom under systemdrift. Enerpac kan inte hållas ansvariga för skada eller skador som uppkommit på grund av olämplig produktanvändning, brist på underhåll eller felaktig produkt- och/eller systemdrift. Kontakta Enerpac när osäkerhet uppstår gällande säkerhetsåtgärder och -drift. Om du inte fått utbildning inom hydraulisk högtrycksåtgärder, kan du höra med ditt distributions- eller servicecenter för en gratis Enerpac hydraulisk säkerhetskurs.

Att inte följa de följande försiktighetsåtgärder och varningarna kan orsaka skador på utrustning och människor.

EN **FÖRSIKTIGHETSÅTGÄRD** används för att påvisa korrekta drifts- och underhållsprocedureer för att förhindra skador på utrustning eller annan egendom

EN **VARNING** indikerar en möjlig fara som kräver korrekta procedureer och rätt användning för att undvika personskador.

EN **RISK** visas bara när dina handlingar eller icke utförda handlingar kan orsaka allvarliga skador eller till och med dödsfall.



VARNING: Använd lämplig personlig skyddsutrustning när hydraulisk utrustning används.



VARNING: Befinn dig inte nära laster som hålls uppe genom hydraulik. En cylinder, som används som lastlyftare, får aldrig användas som lasthållare. Efter att lasten höjts och sänkts måste den alltid vara mekaniskt blockerad.



VARNING: ANVÄND BARA MYCKET HÅLLBAR UTRUSTNING FÖR ATT SÄKRA LASTERNA. Välj noggrant ut stål- och träblock som kan hålla lasten uppe. Använd aldrig en hydraulisk cylinder som ett mellanlägg i någon lyft- eller pressanordning.



FARA: Håll händer och fötter borta från cylinder och arbetsyta vid drift för att undvika personskador.



VARNING: Systemets driftstryck får inte överstiga det trycket på den komponent som har lägst max. tryck, i systemet. Installera tryckmätare i systemet för att övervaka driftstrycket. Det är så du kan se vad som händer i systemet.



IAKTTA FÖRSIKTIGHET: Undvik att skada den hydrauliska slangen. Undvik snäva böjningar och öglor vid hantering av de hydrauliska slangarna. Användning av böjda eller öglade slangar kan orsaka mottryck. Snäva böjningar och öglor kan skada slangen invändigt vilket orsakar för tidig utslitning.



Släpp inte tunga saker på slangen. En hård stöt kan orsaka invändiga skador på slangens vajerslingor. Att applicera tryck på en skadad slang kan göra att den går sönder.



VIKTIGT: Lyft inte den hydrauliska utrustningen med slangarna eller snabbkopplingarna. Använd bärhandtagen eller andra hjälpmedel för en säker transport.



IAKTTA FÖRSIKTIGHET: Håll den hydrauliska utrustningen borta från brand och hetta. För mycket hetta kan göra att packningarna och ventilerna skadas, vilket resulterar i vätskeläckor. Hetta skadar också slangarna och packningarna. Utsätt inte utrustningen för temperaturer på 65 °C (150 °F) eller högre för en optimal prestanda. Skydda slangar och cylindrar från svetsstänk.



FARA: Hantera inte slangar med tryck. Olja som tar sig ut under tryck kan penetrera huden och orsaka allvarliga skador. Uppsök läkare direkt om oljan sprutas in under huden.



VARNING: Använd endast hydrauliska momentnycklar i kopplade system. Använd aldrig en momentnyckel med ej sammanhängande kopplingar. Om momentnyckeln blir extremt överbelastad, kan komponenterna ge efter katastrofalt och orsaka allvarlig personskada.



VIKTIGT: Hydraulisk utrustning får bara underhållas av en behörig hydraulisk tekniker. Kontakta ett behörigt ENERPAC servicecenter i ditt område vid behov av reparationer. Använd bara ENERPAC-olja för att skydda din garanti.



VARNING: Byt direkt ut utslitna eller skadade delar med äkta ENERPAC-delar. Standarddelar kan gå sönder vilket orsakar personskador och egendomsskador. ENERPAC-delar är tillverkade för att passa perfekt och motstå höga laster.



VARNING: Använd inte elektriska pumpar i explosionsfarlig omgivning. Följ alla lokala och nationella elföreskrifter. En behörig elektriker måste göra installation och ändring.



VARNING: Håll händerna borta från rörliga delar och trycksatta slangar.



VARNING: Dessa pumpar har inbyggda, fabriksinställda säkerhetsventiler, som endast får repareras eller justeras av ett auktoriserat Enerpac servicecenter.



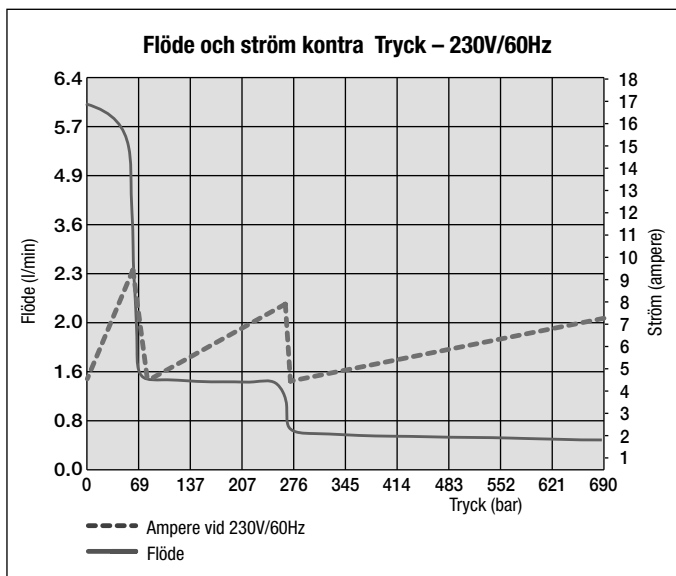
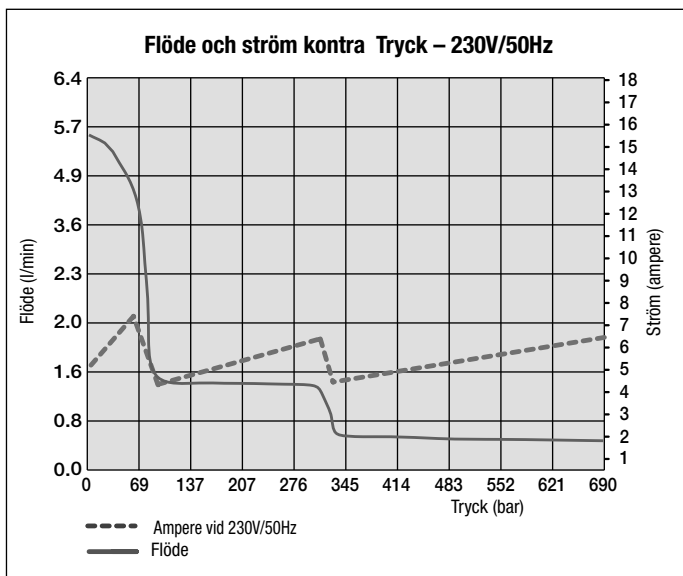
FÖRSIKTIGHETSÅTGÄRD! Kontrollera specifikationerna för att undvika skada på pumpens elmotor. Använder du felaktig strömkälla skadas motorn.

3.0 PRODUKTDATA

3.1 Specifikationer

Modell	Motorstorlek	Maximum arbetstryck	Motorns elspecifikationer	Utfloedeshastighet			Ljudnivå	Säkerhetsventilens justeringsområde	AUngefärlig vikt utan olja
	HP [kW]	psi [bar]	Volt-Fas-Hz	1:a steget	2:a steget	3:e steget	dBA	psi [bar]	lbs. [kg]
TQ-700E	1.0 [0,75]	10,000 [700]	230-1-50	320 in ³ [5,25 l/min] vid 100 psi [6,9 bar]	82 in ³ [1,34 l/min] vid 4,300 psi [296 bar]	30 in ³ [0,49 l/min] vid 10,000 psi [700 bar]	82-85	1,400-10,000 [140-700]	66 [30]
TQ-700I	1.0 [0,75]	10,000 [700]	230-1-60	380 in ³ [6,23 l/min] vid 100 psi [6,9 bar]	98 in ³ [1,61 l/min] vid 4,300 psi [296 bar]	38 in ³ [0,63 l/min] vid 10,000 psi [700 bar]	75-79	1,400-10,000 [140-700]	66 [30]

3.2 Prestandadiagram



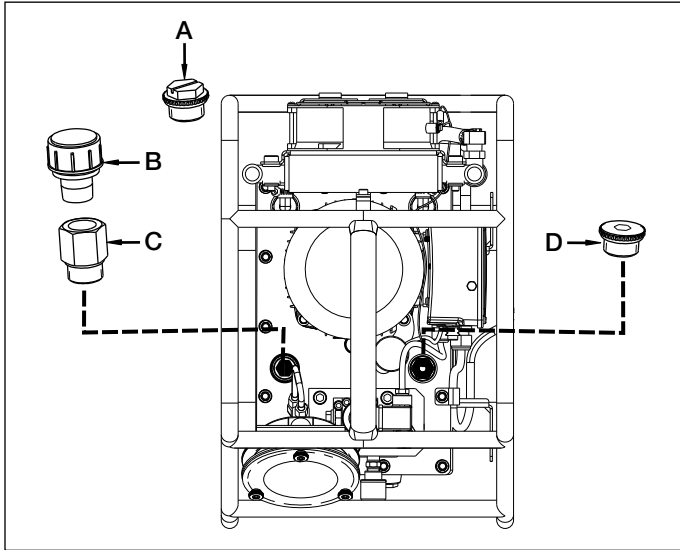
Obs! Faktisk strömförbrukning varierar beroende på tillämpningen.

4.0 MONTERING

Montera eller placera pumpen för att säkerställa att luftflödet runt motorn och pumpen är fritt. Håll motorn ren för att säkerställa maximal kylning under drift.

4.1 Behållarens ventilator

Se figur 1. En transportplugg (A) är monterad i ventilatorporten ovanpå behållaren. Innan du använder pumpen, byt ut transportpluggen (A) mot behållarens ventilator (B) och adapteranslutningen (C).

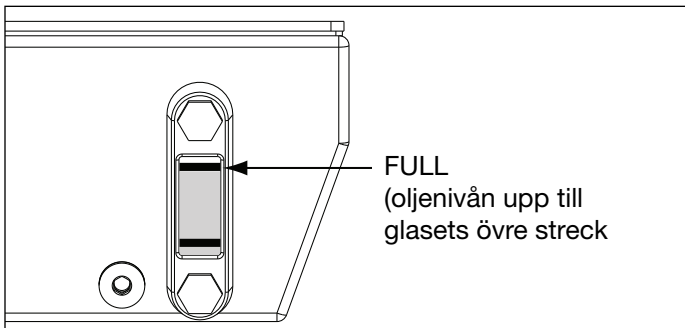


Figur 1, Behållarens ventilator och oljepåfyllningsplugg

4.2 Oljenivå

Kontrollera oljenivån i pumpen före igångsättning. Behållaren är full när oljenivån når upp till toppen av inspektionsglasets som figur 2 visar. Fyll på olja efter behov genom att ta bort oljepåfyllningspluggen (D) från påfyllningsröret som figur 1 visar. Använd Enerpac HF olja (ISO 32).

VIKTIGT! Fyll på olja endast när alla systemkomponenter dragits tillbaka. Annars kommer systemet att innehålla mer olja än behållaren kan rymma. Oljenivån kan vara ovanför det övre strecket i glasets, men ska vara minst 2,5 cm nedanför undersidan av pumpens täckplåt.



Figur 2, Inspektionsglas

4.3 Elektriska anslutningar



WARNING: Pumpen är fabriksutrustad med vanlig elkontakt för given spänning. Ändring av kontakttyp bör endast utföras av kvalificerad elektriker och ska följa alla lokala och nationella bestämmelser.

1. Frånkopplingen och nätströmsskyddet ska tillhandahållas av kunden. Nätströmsskyddet ska vara 115 % av motorns fulla belastningsström vid maximalt applikationstryck.
2. För ytterligare information se pumpens och/eller motorns namnplåt beträffande märkeffekt. Se även Avsnitt 3.2.

4.4 Hydrauliska anslutningar

Gängade anslutningar, t.ex. beslag, måste dras åt ordentligt och får inte läcka. Använd 1-1/2 varv teflonband (eller passande gängtätning) på alla gängor. Lämna den första kompletta.

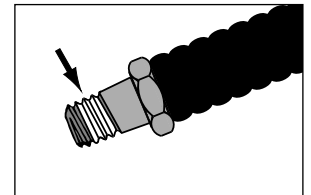
VIKTIGT! Var försiktig så att bitar av tejen inte kommer in i det hydrauliska systemet.

Anslut slangarna som figur 4 och 5 visar.

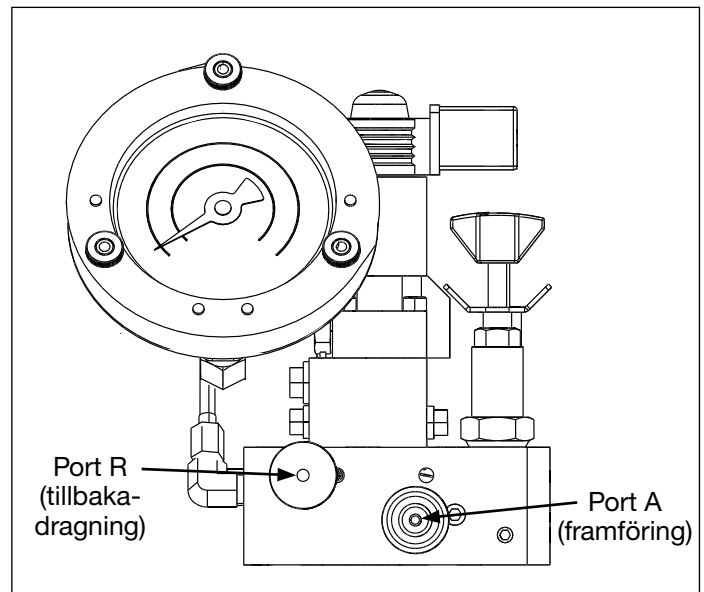
Använd slangar som klassificerats för arbetstryck på 10 000 psi (700 bar). Kopplingarna måste ha polariserats enligt figur 5 för korrekt användning. Säkerställ att kopplingarna är helt ihopkopplade och åtdragna före användning. Delvis ihopkopplad koppling kommer att förhindra riktigt användning.



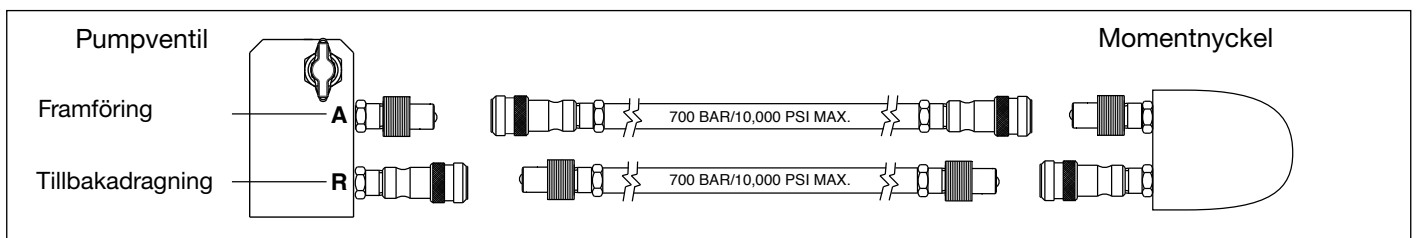
WARNING! Vid användning av pumpar med fördelningsblock, för användning av fler verktyg, se till att oanvända kopplingar har skyddslock helt monterade innan pumpen startas.



Figur 3, Gängtätning



Figur 4, Ventilanslutningar



Figur 5, Slangdetaljer (vy uppifrån)

5.0 ANVÄNDNING

5.1 Innan du använder pumpen

1. Installera behållarens ventilator och kontrollera oljenivån enligt Avsnitt 4.1 och 4.2.
2. Om de används, installera vridmomentsöverlägg enligt Avsnitt 5.5.
3. Ställ in tryck (vridmoment) enligt Avsnitt 5.6.
4. Anslut hydrauliska slangar enligt Avsnitt 4.4.

5.2 Reglage på fjärrkontrollens

Se Figur 6.

Fjärrkontrollens ON/ADV-knapp:

Knappen nedtryckt -

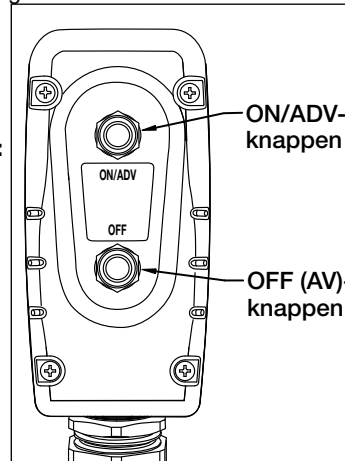
- Motorn startar.
- Nyckeln DRIVS FRAMÅT så länge som knappen hålls nertryckt.

Knappen släppt -

- Nyckeln DRAS TILLBAKA.
- Motorn fortsätter att köra i 20 sekunder.

Fjärrkontrollens OFF (AV)-knapp:

Motorn stannar omedelbart när knappen trycks ned. (ingen tidsfördröjning)



Figur 6, Fjärrkontrollens knappar

5.3 Använda pumpen

VIKTIGT! Endast en användare bör, om möjligt, använda momentnyckel och pump. Detta kan förhindra oavsiktlig aktivering av pumpen medan operatören placerar nyckeln.



WARNING! I följande steg startar pumpmotorn och ventilen växlar automatiskt och drar tillbaka momentnyckeln. Bekräfta att momentnyckeln har placerats så att personskada eller skada på utrustningen undviks innan motorn startas.

1. För att starta pumpen trycker du på "ON/ADV"-knappen på fjärrkontrollen. Se Figur 6. Motorn startar automatiskt och nyckeln börjar föras framåt. Nyckeln fortsätter att föras framåt så länge som knappen hålls nertryckt. Manometern visar trycket i framföringskretsen.

2. Släpp ON/ADV-knappen för att dra tillbaka nyckeln. När knappen släppts upp visar manometern trycket i returkretsen (R-förbikopplingsporten), ungefär 173 – 193 bar [2500 – 2800 psi].

3. Tryck på OFF-knappen för att stänga av pumpen.

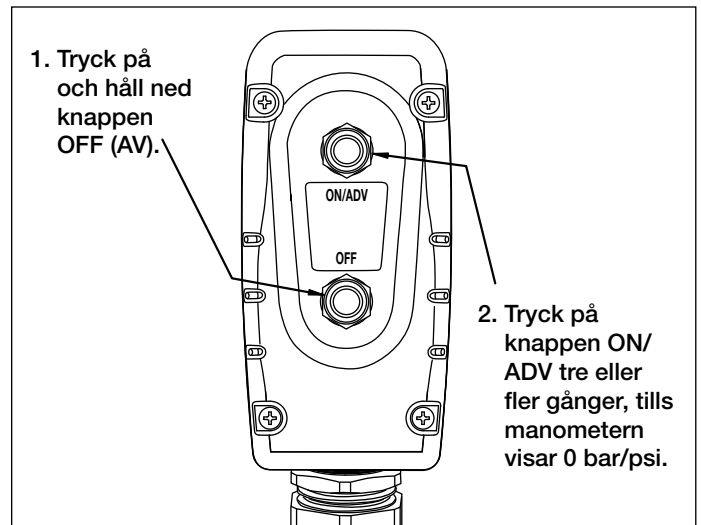
Obs! Om ON/ADV-knappen inte trycks ner inom en kontinuerlig 20-sekundersperiod, kommer pumpens inbyggda timer automatiskt att stänga av motorn.

Obs! När nyckeln först ansluts till pumpen, kommer luft att inestängas i hydraulkretsen. Avlufta genom att placera nyckeln och utträdade slangar under pumpen. Kör nyckeln utan last efter behov tills den vrids fram och drar sig tillbaka utan att tveka.

5.4 Avlasta tryck

Avlasta hydraulisk tryck på nyckeln och slangar:

- Tryck på och håll ned knappen OFF (AV). Se Figur 7.
- Medan du fortsätter att hålla ner knappen OFF (AV), tryck på och släpp knappen ON/ADV tre eller fler gånger tills manometern visar 0 bar/psi. Slangarna kan nu tas bort.



Figur 7, Avlasta tryck (med fjärrkontrollens knappar).

Om trycket inte kan avlastas med fjärrkontrollens knappar, tryck hårt på knappen för manuell förbikoppling överst på ventilenheten. Detta skjuter manuellt på ventilsjindeln och avlastar det instängda trycket.

VIKTIGT! Knappen för manuell förbikoppling är endast avsedd att användas ibland, t.ex. om strömmen går förlorad.

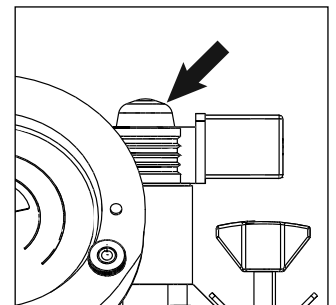


Figure 8, Manual Override Button (on valve)

5.5 Vridmomentsöverlägg för manometern

Vridmomentsöverlägg för vissa Enerpac momentnyckelmodeller medföljer pumpen.

Ett vridmomentsöverlägg passar över manometers tavla och konverterar lätt tryckavläsningar till vridmomentsavläsningar. Överlägget visar engelska enheter (ft-lbs.) på en sida och metrisk enheter (Nm) på den andra. För att ändra skalor vänder du helt enkelt på överlägget.

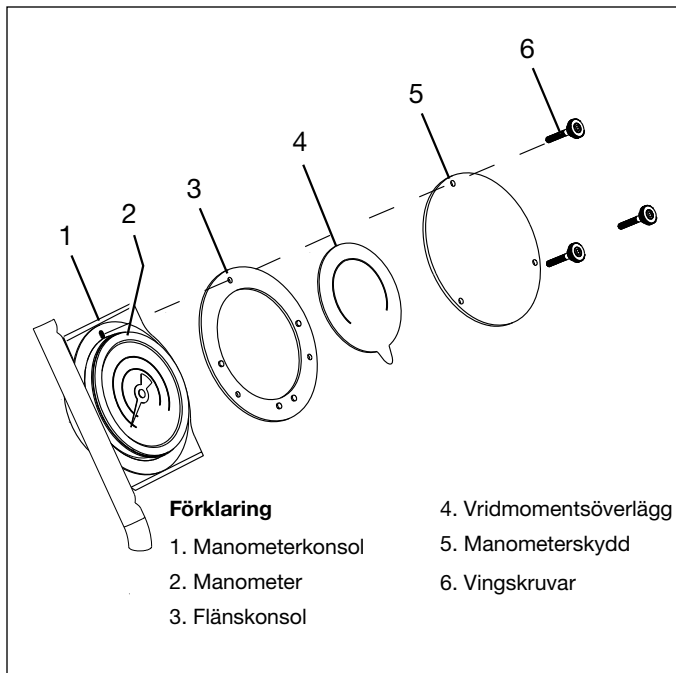


WARNING! Varje överlägg är anpassat ENDAST för en specifik Enerpac-momentnyckelmodell. Får inte användas med andra nyckelmodeller.

Installera vridmomentsöverlägget enligt beskrivningen i följande steg. Se Figur 9.

1. Ta bort den övre vingskruven som håller manometerskyddet. Lossa, men ta inte bort, de två undre vingskruvarna.
2. Placera önskat överlägg på flänskonsolen och rikta in överlägget mot fördjupningarna i konsolen.
3. När överlägget är på plats, dra åt de två undre vingskruvarna. Sätt tillbaka och dra åt den övre vingskruven.
4. e momentnyckelinstruktionerna för den mängd hydrauliskt tryck som behövs för att producera önskat vridmoment. Observera att det maximala trycket varierar beroende på nycklar och tillbehör.

VIKTIGT! Se momentnyckelinstruktionerna för nyckelrutiner och specifikationer.



Figur 9, Manometeröverlägg

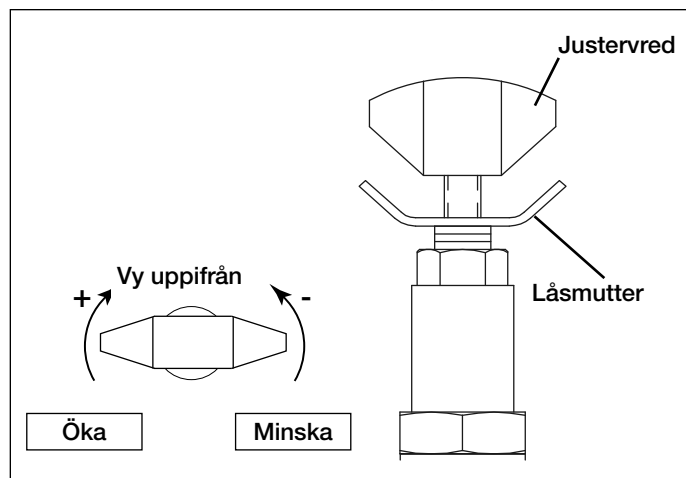
5.6 ck- (Vridmoment-) inställning

Begränsa framföringstrycket till momentnyckeln genom att justera tryckinställningen enligt följande förfarande. Se Figur 10.



WARNING! Justera pumpens tryckinställning INNAN du sätter momentnyckeln på en mutter eller bultskalle. Pumpens tryckinställning får inte ligga över det tryck som behövs för att ge erforderligt vridmoment för din applikation. Att överskrida erforderligt vridmoment kan orsaka skada på utrustningen och kan leda till allvarlig personskada.

1. Koppla loss slangar från ventilens grenrörsportar "A" och "R". Installera skyddshöljen av metall över kopplingarna.
2. Lossa säkerhetsventilens låsmutter.
3. Vrid justervredet moturs efter behov så att du förhindrar oavsiktlig uppbyggnad av tryck.
4. Tryck på och håll ned fjärrkontrollens ON/ADV-knapp. Motorn startar och tryck börjar byggas upp i A-portens framföringskrets.
5. Medan du fortsätter att trycka ned fjärrkontrollens ON/ADV-knapp, vrid LÅNGSAMT justervredet medurs för att öka tryckinställningen eller moturs för att minska tryckinställningen.



Figur 10, Justera tryckinställning

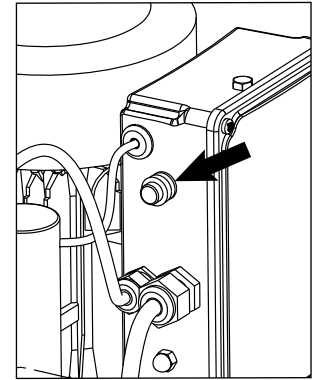
6. Släpp upp fjärrkontrollens ON/ADV-knapp för att låta systemtrycket återgå till R-portens tillbakadragningsinställning. Motorn fortsätter att gå.
7. Tryck på och håll ned fjärrkontrollens ON/ADV-knapp en gång till för att åter kontrollera framföringskretsens tryckinställning. Bekräfta att önskat tryck indikeras på manometern.
8. När du har uppnått önskad tryckinställning, dra åt säkerhetsventilens låsmutter.

5.7 Circuit Breaker

Ett överströmsskydd med tryckknapp finns på pumpens elektriska låda.

Se Figur 11. I händelse av en elektrisk överbelastning utlöses överströmsskyddet.

När du har undersökt och rättat till källan till överbelastningen, tryck på överströmsskyddets knapp för att återställa det.



Figur 11, Överströmsskydd

6.0 UNDERHÅLL

Undersök regelbundet alla systemkomponenter och leta efter läckor eller skada. Reparera eller byt ut skadade komponenter. Elektriska komponenter, t.ex. nätsladden, kan endast repareras eller bytas av en kvalificerad tekniker, som följer alla gällande lokala och nationella bestämmelser.



WARNING! Koppla bort pumpen från elnätet innan du utför underhåll eller reparationer.

6.1 Byta olja och rengöra behållaren

Enerpac HF-olja har en klar blå färg. Kontrollera regelbundet oljans tillstånd och leta efter föroreningar genom att jämföra oljan i pumpen med ny Enerpac-olja. Ta som regel helt tappa ur och rengöra behållaren var 250:e körtimme, eller oftare om utrustningen använts i smutsiga miljöer.

Note: Denna procedur kräver att du demonterar pumpen från behållaren. Arbeta på en ren bänk och kassera använd olja i enlighet med lokala bestämmelser.

Byt olja och rengör behållaren enligt följande steg. Se pumpens reservdelsblad som visar delar samt detaljer om isärtagning och ihopsättning.

1. Lossa pumpens nätsladd från eluttaget.
2. Lossa avtappningspluggen och tappa ur all olja från behållaren till lämpligt kärl. Gör ren och sätt tillbaka avtappningspluggen.
3. Ta bort vänster och höger sidpaneler från rörramen.
4. Koppla loss rör från manometern.

Obs! Olja kan rinna från losskopplade slangar under nästa steg. Placera ett lämpligt kärl under slangarnas ändrar så att eventuell olja fångas upp.

5. Lossa klämmorna på oljekylarslangar vid behållaren. Dra försiktigt av slangar från beslag med hullingar.
6. Koppla loss kylarens flätkabel från fläkten. Koppla loss jordledningen (grön) från fläktens jordskruv.
7. Ta bort bultar som fäster pumpbehållaren vid rörramen. Ta bort pumpen från rörramen.
8. Rulla av pumpens nätsladd och fjärrkontrollens kabel från sladdkonsolen.
9. Ta bort två bultar som fäster sladdkonsolen vid pumpens täckplåt. Ta bort konsol, tätningsbrickor och kopparbrickor.

10. Ta bort återstående bultar och kopparbrickor kring pumpens topplåts yttre kant.

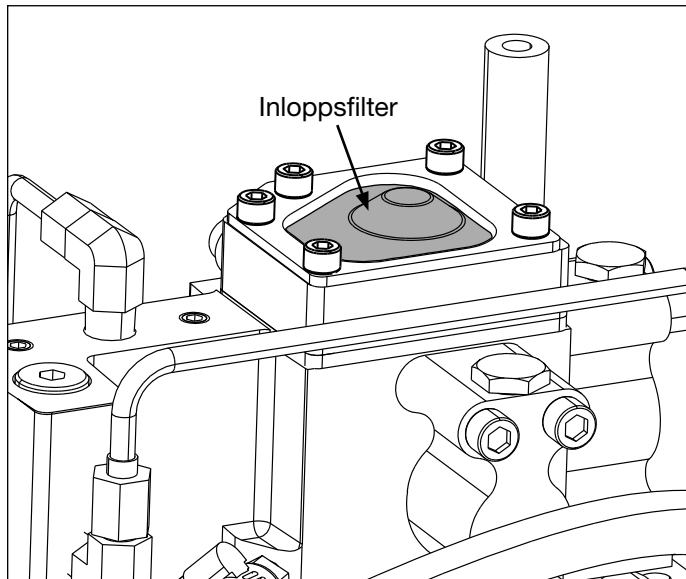
11. Lyft försiktigt och ta bort pumpenheten från behållaren.

12. Torka av behållarens inre ytor. Rengör behållaren noggrant med lämpligt rengöringsmedel..



WARNING! Följ tillverkarens anvisningar vid användning av lösningsmedel och rengöringsmedel. Använd lämpliga hand- och ögonskydd.

13. Ta bort de fem insexskruvarna som håller inloppsfiltret till 1:a stegets kugghjulspump. Var försiktig så att du inte tar bort mittplåten och kugghjulen.



Figur 12, Inloppsfilter

(Obs! pumpen visas borttagen från behållaren och placerad upp-och-ned)

14. Ta bort inloppsfiltret och rengör det med ett brandsäkert lösningsmedel. Blås sedan filtret rent och torrt.



WARNING! Använd lämpliga ögonskydd när du använder tryckluft. Överskrid inte 2 bar [30 psi] vid rengöring.

15. Sätt tillbaka inloppsfiltret. Dra åt de fem insexskruvarna till 8,5 Nm [75 in-lbs].

16. Installera en ny packning på behållaren.

17. Sätt ihop pumpen och behållaren enligt steg 1 t.o.m. 11 in omvänd ordning.

Obs! Dra åt skruvar till följande vridmoment vid ihopsättning:

- Fästbultar för behållarens topplåt: Applicera Loctite 243 på gängorna och momentdra till 5,6-6,7 Nm [50-60 in-lbs].
- Rörramens bultar: Applicera Loctite 243 på gängorna momentdra till 13,5-15,8 Nm [120-140 in-lbs].
- Sidpanelbultar: Applicera Loctite 243 på gängorna momentdra till 6,7-8,1 Nm [60-72 in-lbs].

18. Fyll behållaren med ren Enerpac HF hydraulolja (ISO 32). Behållaren är full när oljenivån är som figur 2 visar

7.0 FELSÖKNING (se Felsökningshandboken)

Endast kvalificerade hydraultekniker ska serva pumpen eller systemkomponenterna. Ett systemfel kanske eller kanske inte är ett resultat av ett pumpfel. För att fastställa orsaken till problemet måste hela systemet inkluderas i alla diagnostikprocedurer.

Informationen i felsökningshandboken är endast avsedd att användas om problem föreligger. För reparationservice kontaktar du ditt lokala auktoriserade Enerpac-servicecenter.

Felsökning		
Problem	Möjlig orsak	Åtgärd
Pumpen startar inte när fjärrkontrollens ON/ADV-knapp trycks ner.	Ingen ström.	Slå på strömmen.
	Skadad nätsladd.	Se till att nätsladden inte är skadad.
	Överspänningsskyddet utlöst.	Tryck på överströmsskyddets knapp för att återställa det
	LLåg spänning.	Stäng av alla andra elektriska belastningar. Använd en förlängningssladd med tjockare ledningar.
	Fjärrkontroll skadad.	Reparera fjärrkontrollen. Kontakta auktoriserat servicecenter.
Motorn stannar under belastning.	Låg spänning.	Tryck på överströmsskyddets knapp för att återställa det (om det är utlöst). Stäng av alla andra elektriska belastningar. Använd en förlängningssladd med tjockare ledningar.
	Kall olja.	Tryck på överströmsskyddets knapp för att återställa det (om det är utlöst). Kör pumpen vid 140 bar [2 000 psi] i 5 minuter så att du värmer oljan innan du använder pumpen. Använd Enerpac LX olja (ISO 15) i kalla klimat.

(forts. på nästa sida)

Felsökningsguide (forts.)		
Problem	Möjlig orsak	Åtgärd
Väsna under körning.	Luft instängd i systemet.	Avlufta systemet.
	Rållarens ventilator är inte installerad.	Ta bort transportpluggen och installera ventilatorn enligt Avsnitt 4.1.
	Låg oljenivå.	Säkerställ att oljebehållaren är fylld till normal nivå. Fyll på olja enligt avsnitt 4.2.
	Luftläckor.	Kontrollera alla ställen där luft kan komma in i systemet. Dra åt beslag och/eller reparera efter behov.
	Inloppsfilter igensatt.	Rengör inloppsfiltret.
Elventilen fungerar inte.	Ingen ström till pumpen eller fel spänning.	Anslut till korrekt strömkälla enligt pumpens namnplåt.
	Solenoidkabeln loss eller skadad.	Anslut, reparera eller byt kabeln.
	Solenoidspolen fungerar inte.	Kontakta auktoriserat servicecenter.
Pumpen kör men pumpar inte olja. eller Pumpen bygger inte upp fullt tryck	Pumpen är inte förfylld..	Kör pumpen ett par minuter medan du välter den försiktigt från sida till sida.
	Behållarens ventilator är inte installerad.	Ta bort transportpluggen och installera ventilatorn enligt Avsnitt 4.1.
	Låg oljenivå.	Fyll på olja enligt Avsnitt 4.2.
	Säkerhetsventilens tryck inställt för lågt.	Justera enligt Avsnitt 5.6.
	Extern systemläcka.	Undersök och reparera eller byt ut delar efter behov.
	Inloppsfilter igensatt.	Rengör oljeinloppsfiltret.
	lern läcka i pumpen.	Kontakta auktoriserat servicecenter.
	Intern läcka i ventilen.	
Intern läcka i systemkomponent.		
Pumpen skapar fullt tryck, men momentnyckeln rör sig inte.	Vridmomentet högre än nyckelns kapacitet vid fullt tryck.	UAnvänd momentnyckel med större kapacitet.
	Matarflödets slang till nyckeln begränsad eller blockerad.	Kontrollera att kopplingarna är helt anslutna enligt Avsnitt 4.4.
Momentnyckeln dras inte tillbaka.	Returflödesledningen från nyckeln igensatt eller blockerad.	Kontrollera att kopplingarna är helt anslutna enligt Avsnitt 4.4. Kör motorn under tillbakadragning.
	Ventilfel.	Kontakta auktoriserat servicecenter.
Manometern visar inte noll (0) bar/psi när pumpmotorn har stannat.	ck avlastas inte.	Avlasta tryck enligt Avsnitt 5.4.
	Manometern är inte rätt kalibrerad.	Låt kalibrera manometern av en kvalificerad verkstad.
Pumpen går varm.	Matar- eller returflödet begränsat.	Kontrollera att kopplingarna är helt anslutna enligt Avsnitt 4.4
	Låg oljenivå.	Fyll på olja enligt Avsnitt 4.2.
	Oljekylarens fläkt fungerar inte..	Kontrollera att oljekylarens fläkt fungerar korrekt..
	Oljekylarens värmeväxlare är täckt av smuts eller igensatt.	Ta bort eventuell smuts från oljekylarens fenor och fläkt. Kontrollera att oljekylarens rör inte är igensatta.

L3060 Rev. B 08/12

本产品的维修部件说明可以从ENERPAC网站 WWW.ENERPAC.COM，或从您最近的ENERPAC服务中心，或ENERPAC办事处获得。

1.0 重要收货说明

检查所有零件是否存在运输损伤。运输过程中的损伤不在质保范围。如发现运输过程中的损伤，请立即通知承运商，其有责任承担由运输损坏造成的修理及更换费用。

安全第一

2.0 安全条例



阅读所有说明书，警告及注意事项。操作时，遵守一切安全规则，避免发生人身伤害及财产损失。

如果用户由于非安全生产，缺乏正常维护，操作或使用不当而造成的人身伤害及财产损失，ENERPAC不负任何责任。如对安全防范及措施有任何疑问，请和ENERPAC联系。如果您在高压液压方面从未接受过培训，请联系您本地区的分销商或服务中心进行免费的ENERPAC液压安全培训课程。

不遵守下列警示及防范条例，将会造成设备损坏及人身伤害。

注意-用来说明正确的操作、维护程序以及如何避免伤害或损坏设备及其他财产。

警告-说明一种潜在的危險，要求有正确的程序和习惯以避免人身伤害。

危險-仅是指您的某个动作（或缺乏某个动作）可能导致严重的伤害甚至死亡事故。



警告：当操作高压液压系统时应配备正确的劳动保护装备。



警告：不要在液压力支撑的负载下逗留。当油缸被用来作为顶升负载的装置时，绝不能够作为负载支撑装置来使用。在负载被顶升或下降后，必须采用机械装置牢固支撑。



警告：必须使用刚性物体来支撑重物。仔细选择能够承受重物的钢或者木块来支撑载荷。不要在顶升或挤压应用中将液压缸当作垫块使用。



危險：为避免人身伤害，操作中手脚与油缸和工作件保持一定距离。



警告：系统的最大工作压力决不能超过系统中最低压力等级原件的最大工作压力。安装压力表在系统中以检测系统压力。压力表是您观察液压系统的窗口。



注意：避免损坏软管。在排放软管时应避免过度弯曲和绞结软管。使用过度弯曲或绞结的软管将会产生极大的背压。过度弯曲和绞结软管将损坏软管内部结构，从而导致油管过早失效。



避免：将重物砸压在油管上。剧烈的冲击会对油管内部钢丝编织产生损害。给有损伤的油管加压会导致油管爆裂。



重要：严禁提拉软管或旋转接头来提起液压设备。应使用搬运手柄或其他安全方式。



注意：使液压设备远离明火或过热源。过热会软化衬垫和密封，导致油液泄漏。热量也会弱化软管材料和包装。为了达到最佳工作状态，不要让设备处于65°C或更高温度中。保护软管和油缸免受焊接火花的喷溅。



危險：不要用手触摸打压状态的软管。飞溅出的压力油能射穿皮肤，导致严重的伤害。如有压力油溅到皮肤上，请立即去看医生。



警告：只能在系统全部连接好后才能使用油缸，决不能在系统未完全连接时使用油缸。如果油缸极度过载，各部件将产生不可挽回的损坏，其结果导致极为严重的人身伤亡。



重要：液压设备必须由有资质的液压技术人员维护。如需修理维护，请与您区域内的ENERPAC授权服务中心联系。请使用ENERPAC液压油，以保护ENERPAC对您设备的质量保证。



警告：及时用正牌的ENERPAC零件替换已磨损或已损坏的零件。普通级别的零件会破裂，导致人身伤害和财产损失。ENERPAC零部件被设计来承受高压载荷。



警告：不要在爆炸性空气中使用电泵。遵守所有地方和国家电气法规。安装和改造工作必须由合格的电工执行。



警告：让双手远离移动的零件和压力软管。



警告：这些泵带有内部泄压阀，这些阀在出厂时都已调节妥当；必要时，只能由授权的 Enerpac 服务中心维修或调节。



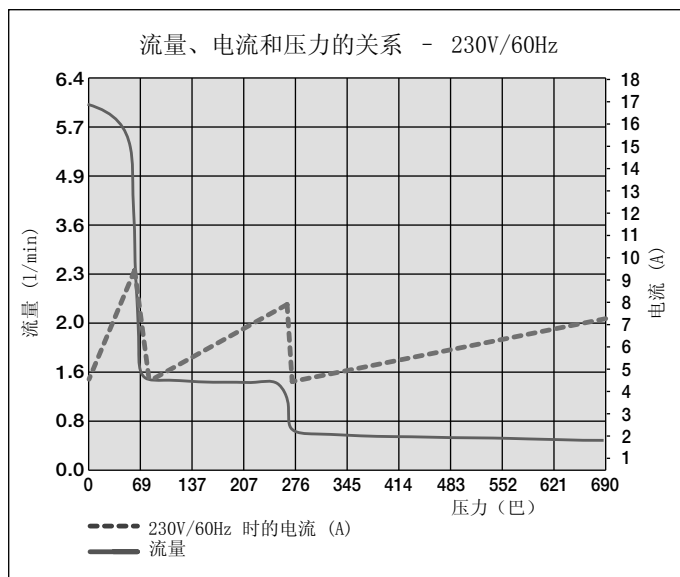
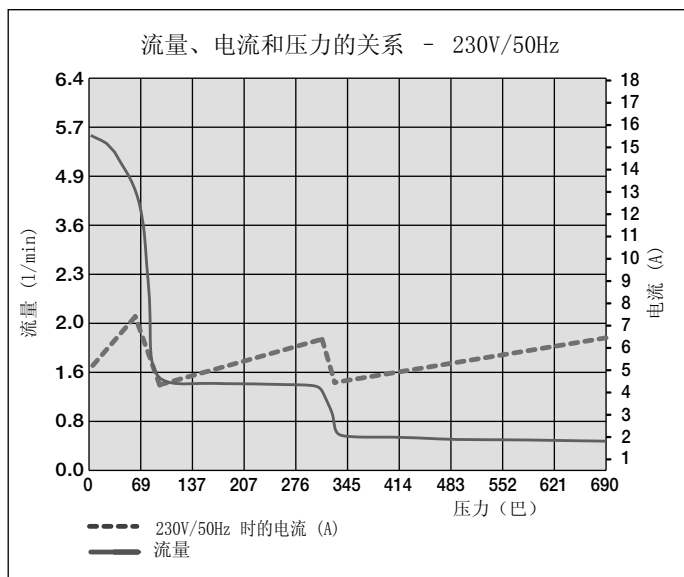
小心：为了防止损坏泵的电机，请核对规格。使用不正确的电源会损坏电机。

3.0 产品数据

3.1 规格

型号	电机大小	最高工作压力	电机电气规格	输出流量			噪音等级	泄压阀调节范围	大约重量(无油)
	马力 [千瓦]	psi [巴]	V-Ph-Hz	第 1 级	第 2 级	第 3 级	分贝	psi [巴]	lbs. [kg]
TQ-700E	1.0 [0,75]	10,000 [700]	230-1-50	6.9 巴 [100 psi] 下 5.25 l/ min [320 in3/min]	296 巴 [4,300 psi] 下 1.34 l/ min [82 in3/min]	700 巴 [10,000 psi] 下 0.49 l/ min [30 in3/ min]	82-85	1,400-10,000 [140-700]	66 [30]
TQ-700I	1.0 [0,75]	10,000 [700]	230-1-60	6.9 巴 [100 psi] 下 6.23 l/ min [380 in3/min]	258 巴 [3,750 psi] 下 1.61 l/ min [98 in3/min]	700 巴 [10,000 psi] 下 0.63 l/ min [38 in3/ min]	75-79	1,400-10,000 [140-700]	66 [30]

3.2 性能表



注：实际耗用电流因具体应用而异。

4.0 安装

对其进行定位，确保电机和泵周围的气流畅通无阻。让电机保持清洁，确保在操作过程中获得最大冷却效果。

4.1 油箱通气孔

参见图 1。油箱顶部的通气口中安装有一个运输管塞 (A)。使用泵之前，将运输管塞 (A) 换成油箱通气孔 (B) 和适配接头 (C)。

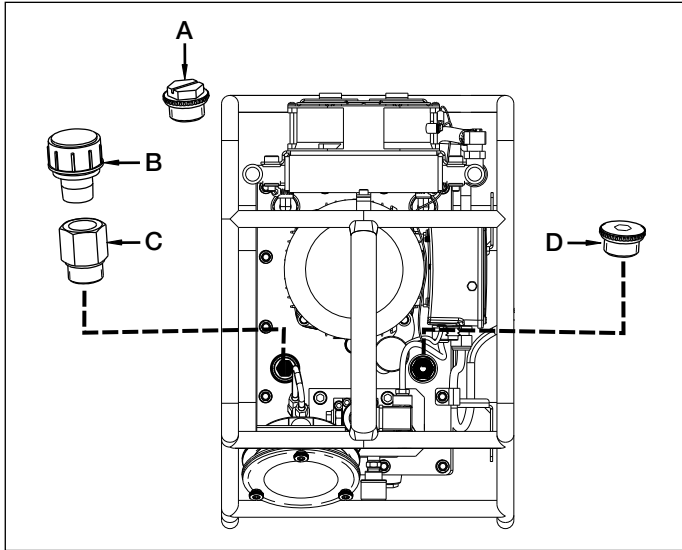


图 1, 油箱通气孔和充油塞

4.2 油位

启动前检查泵油位。当油位达到图 2 所示的观测计最高线时，即表示油箱已满。必要时，如图 1 所示拆下加油管上的充油塞 (D)，进行加油。使用 Enerpac HF 油 (ISO 32 级)。

重要事项：只能在所有系统组件都缩回时加油，否则，系统中的油量会超过油箱容量。油位可高于观测计最高线，但至少应保持在泵盖板低面以下 2.5 cm [1 英寸] 处。

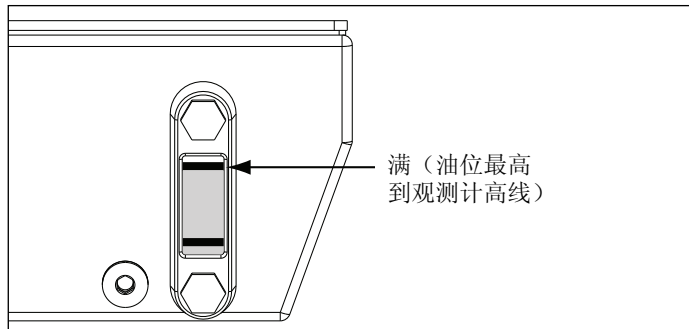


图 2, 油位观测计

4.3 电连接



警告：泵出厂时装有指定电压的通用插头。只能由有资格的电工更改该插头的类型并遵守所有适用的地方和国家法规。

1. 由客户提供断线和线路保护。线路保护应在最高使用压力下电机满负荷电流的 115%。
2. 欲获得更多信息，请参阅泵铭牌和/或电机铭牌上的功率额定值。另请参阅第 3.2 节。

4.4 液压连接

T 螺纹连接处 (例如接头) 必须牢牢拧紧，并且无泄漏。在所有螺纹上都使用 1-1/2 圈特氟纶胶带 (或合适的螺纹密封剂)，第一道全螺纹不缠绕胶带，以确保没有外物进入液压管路。修剪未缠绕端。

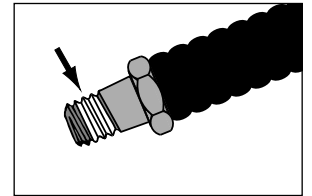


图 3, 螺纹密封剂

重要事项：请小心谨慎，防止胶带碎片进入液压系统。

如图 4 和 5 所示连接软管。

使用额定值为 700 巴/10,000 psi 工作压力的软管。接头必须按图 5 所示进行极化处理，以确保扳手操作正确性。操作前确保接头完全啮合并已拧紧。如果接头只是部分啮合，将会妨碍扳手正确操作。



警告：如果和多扳手阀块一起使用泵，在启动泵之前请确保所有未使用的接头都安装了保护盖。

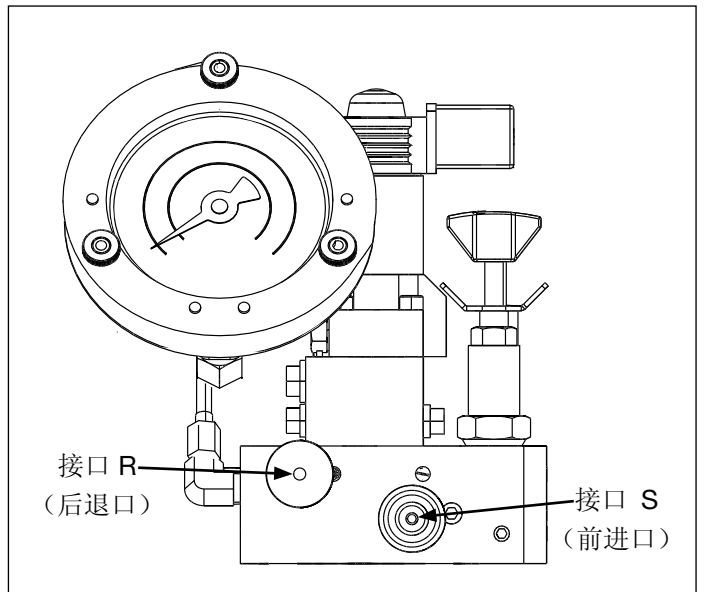


图 4, 阀连接

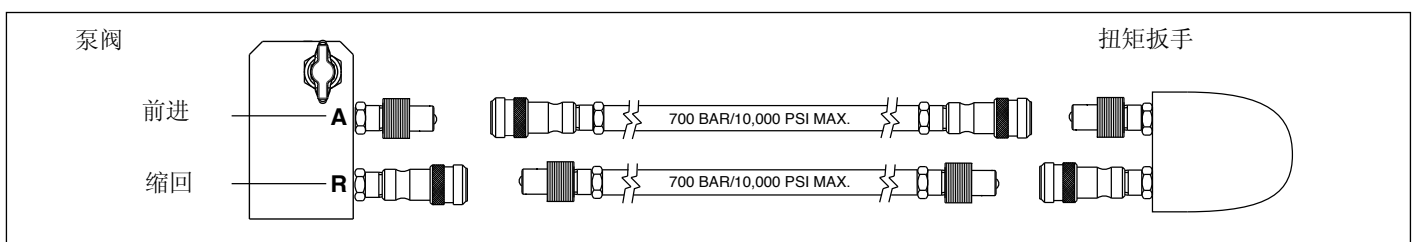


图 5, 软管详图 (俯视图)

5.0 操作

5.1 操作泵之前

1. 安装油箱通气孔，请按第 4.1 和 4.2 节所述检查油位。
2. 按照第 5.5 节所述安装扭矩盖（如果使用）。
3. 按照第 5.6 节所述进行压力（扭矩）设置。
4. 按照第 4.4 节所述连接液压软管。

5.2 悬吊开关控制

参见图 6

悬吊开关的“ON/ADV（开/前进）”按钮：

按下按钮 -

- 电机启动。
- 按住按钮扳手将一直前进。
松开按钮 -
- 扳手缩回。
- 电机会继续运转大约 20 秒钟。

悬吊开关的“OFF（关）”按钮：

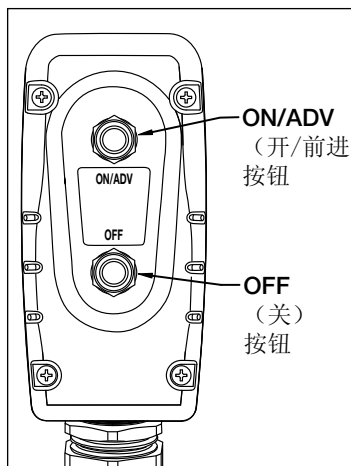


图 6, 悬吊开关按钮

按下按钮时电机立即停止。
（无延时）

5.3 泵操作

重要事项：只要可能，应该由一位用户操作扭矩扳手和泵。这样，在操作员使用扳手时，可防止泵意外操作。



警告：在以下步骤中，泵电机将启动，且阀将自动切换以缩回扭矩扳手。在启动电机前，验证扭矩扳手的位置是否可防止受伤或设备损坏。

1. 要启动泵，请按下悬吊开关上的“ON/ADV（开/前进）”按钮。请参见图 6。电机将自动启动，且扳手将开始推进。只要按住此按钮，扳手就会一直前进。压力表将显示前进管路中的压力。
2. 松开“ON/ADV（开/前进）”按钮，可以让扳手缩回。松开按钮后，压力将显示收缩管路（R 接口旁通）中的压力，大约为 173-193 巴（2500 -2800 psi）。
3. 按下“OFF（关）”按钮以停止泵的运行。

注：如果在连续 20 秒钟内没有按下“ON/ADV（开/前进）”按钮，则泵的内置计时器将自动关闭电机。

注：第一次将扳手连接到泵上时，液压管路中会滞留空气。此时，应在泵下方放置扳手并伸直软管，将空气排出。必要时在空载状态下操作扳手，直到它能顺畅地前进和后退为止。

5.4 释压

要释放扳手和软管上的液压：

- 按住“OFF（关）”按钮。参见图 7。
- 继续按住“OFF（关）”按钮，同时按“ON/ADV（开/前进）”按钮三次或更多次，直至压力计指示零（0）巴/psi。现在可以卸下软管。

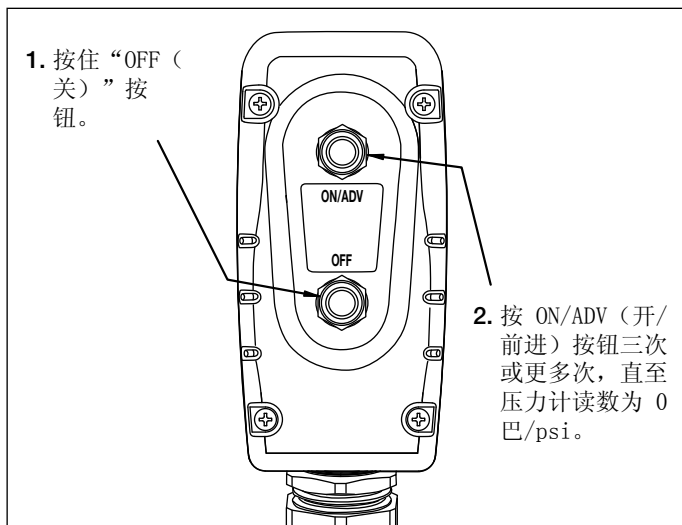


图 7, 释压（使用悬吊按钮）。

如果无法使用悬吊按钮释放压力，则牢牢按住阀装置顶部的手动人工代用装置按钮。这将手动移动随动阀，从而释放滞留的压力。

重要事项：手动人工代用装置主要在临时情况下使用，例如在电源故障过程中。

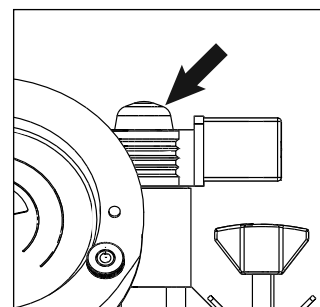


图 8, 手动人工代用装置按钮（阀上）

5.5 压力表扭矩盖

为了方便操作，我们为泵提供了用于所选 Enerpac 扭矩扳手型号的扭矩盖。

将扭矩盖装到压力表刻度盘面上，就能轻松将压力读数换算为扭矩读数。扭矩盖一侧为英制单位（ft-lbs.），另一侧为公制单位（Nm）。要更改度量，将扭矩盖翻过来即可。



警告：每个扭矩盖仅适用于一个 Enerpac 扭矩扳手型号。请勿用于其他扳手型号。

按照以下步骤所述安装扭矩盖。参见图 9。

1. 卸下固定压力表护罩的顶部翼形螺钉。松开但不要卸下底部的两个翼形螺钉。
2. 将所需的扭矩盖放到法兰支架上，将扭矩盖与支架上的凹陷对齐。

重要事项：始终验证是否为正在使用的 Enerpac 扭矩扳手安装了正确的扭矩盖。

3. 扭矩盖放置就位后，拧紧底部的两个翼形螺钉。重新安装并拧紧顶部翼形螺钉。
4. 请参见扭矩扳手说明，了解产生预期扭矩需要的液压力值。注：不同的扳手和附件所需最大压力将不同。

重要事项：请参考扭矩扳手说明，了解扳手操作程序和规格。

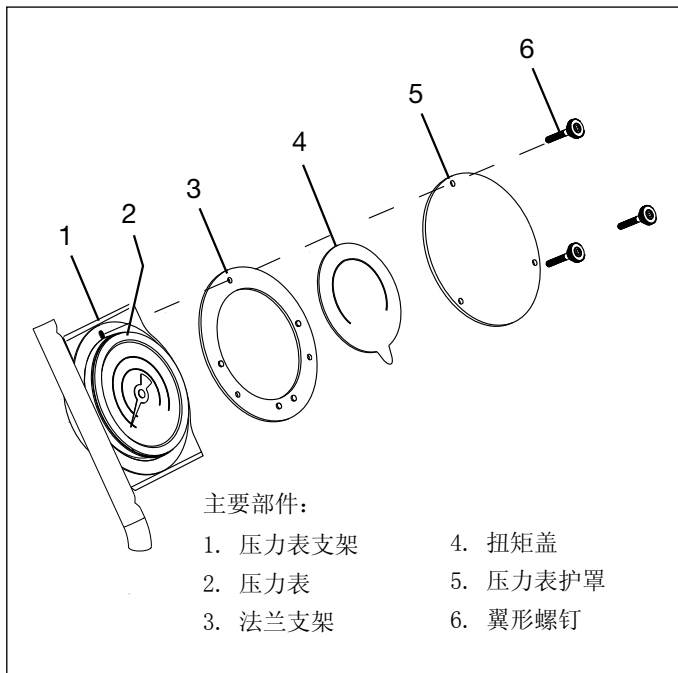


图 9, 压力表扭矩盖

5.6 压力（扭矩）设置

要限制扭矩扳手的前进压力，请按以下程序所述调节压力设置。参见图 10。



警告：请先调节泵压力设置，然后再将扭矩扳手放在螺母或螺栓头上。泵的压力设置不得高于提供能满足应用需求的扭矩所需要的压力。超过所需扭矩可能会导致设备损坏，造成严重的人身伤害。

1. 断开软管与阀块“A”和“R”接口的连接。将金属保护盖安装到配件上。
2. 拧松溢流阀的锁定螺母。
3. 必要时逆时针旋转调节旋钮，以防止无意中压力增加。
4. 按住悬吊开关的“ON/ADV（开/前进）”按钮。电机将会启动，开始给接口 A 前进管路打压。
5. 继续按住悬吊开关的“ON/ADV（开/前进）”按钮，缓慢地顺时针旋转调节旋钮以增加压力设置，或逆时针旋转以减少压力设置。

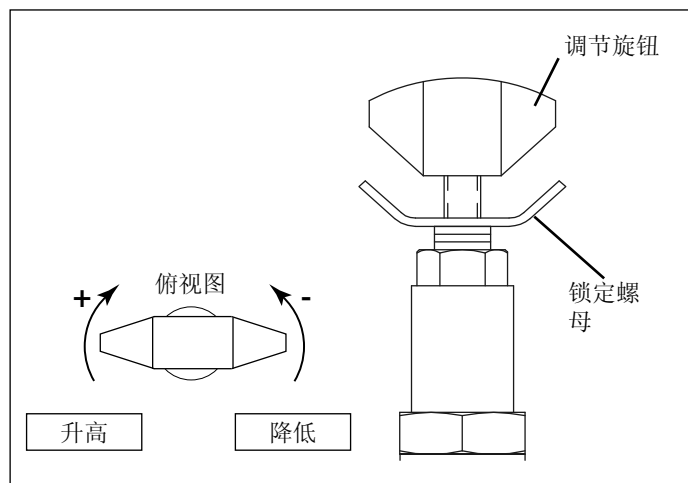


图 10, 压力设置调节

6. 松开悬吊“ON/ADV（开/前进）”按钮，让系统压力恢复为 R 接口后退设置值。电机将继续运转。
7. 再次按住悬吊“ON/ADV（开/前进）”按钮，重新检查前进管路压力设置值。确认压力计读数即为所需压力。
8. 获得所需压力设置值后，拧紧溢流阀固定螺母。

5.7 断路器

泵电气外罩上安装有一个按钮断路器。

参见图 11。发生电气过载时，断路器会跳闸。

在调查并纠正过载故障后，按断路器按钮进行复位。

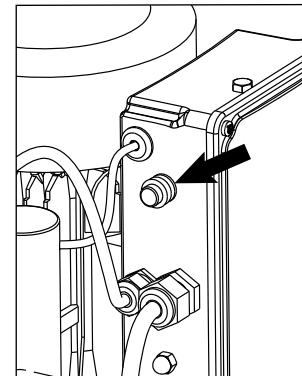


图 11, 断路器

6.0 M维护

经常检查所有系统组件是否存在泄漏或损坏。维修或更换损坏的组件。诸如电源线等电气组件只能由有资格的电工维修或更换，并遵守所有适用的地方和国家法规。



警告：请断开泵与电源的连接，然后再执行任何维护或修理工作。

6.1 换油和清洁油箱

Energpac HF 油呈现清澈的蓝色。经常比较泵中的油与新鲜 Energpac 油，检查油的污染状况。一般情况下，每隔 250 小时需要将油箱完全排空，然后清理干净；如果是在肮脏环境中使用，清洁频率要更高一些。

注：此程序需要您从油箱上卸下泵。工作时请使用干净工作台，用过的油应根据地方法规进行处理。

按照以下步骤所述换油并清洁油箱。有关零件识别和拆卸/重新安装的信息，请参阅泵维修零件表。

1. 将泵电源线从插座上拔下。
2. 拆下排油塞，将油箱内所有的油排放到合适的容器中。清洗并重新装上排油塞。
3. 卸下滚柱罩左右两侧的面板。
4. 断开管件与压力表的连接。
注：在下一步过程中油可能从断开的软管中流出。在软管末端下放置一个合适的容器来盛装任何油。
5. 松开油箱处的油冷却器上的夹具。轻轻将软管从带倒钩的配件上拉下来。
6. 从风扇上拔下冷却器风扇电缆。断开地线（绿色）与风扇接地螺钉的连接。
7. 卸下将泵油箱固定到滚柱罩的螺栓。从滚柱罩上卸下泵。
8. 将泵电源线和悬吊开关电缆从线缆存储支架中展开。
9. 卸下将线缆存储支架固定到泵盖板的两个螺栓。卸下支架、密封垫圈和铜垫圈。

10. 卸下泵顶板外边缘周围的其余螺栓和铜垫圈。
11. 小心向上提，将泵装置从油箱上卸下。
12. 擦拭油箱的内表面。使用合适的清洁剂彻底清洁油箱。



重要事项：为避免在下一步造成损坏，不要拉油进口滤网或油进口的底部。

13. 卸掉将进口滤网固定在第 1 级齿轮泵上的 5 个内六角螺钉。小心操作，不要卸下中心板和齿轮。

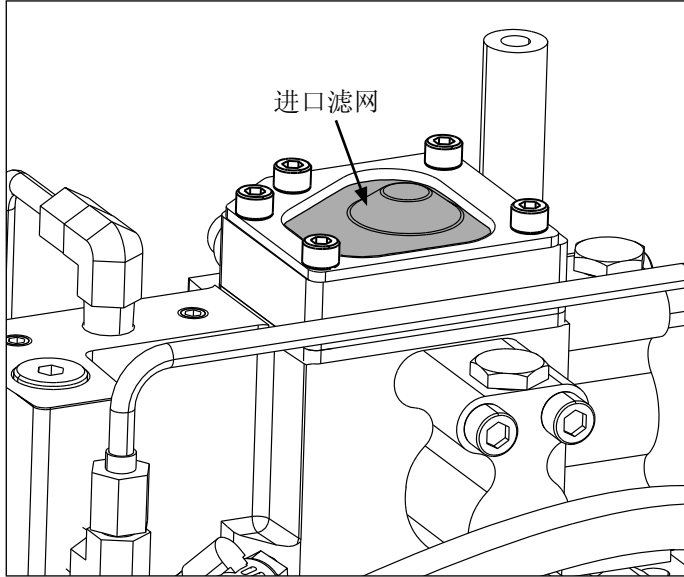


图 12, 进口滤网

(注：显示的泵是从油箱上卸下的，并且是倒置的)

14. 卸下进口滤网，并用不可燃溶剂进行清洁。然后，将滤网吹干净。



警告：使用加压空气时佩戴眼保护设备。出于清洁目的，不要超过 2.1 巴 (30 psi)。

15. 重新安装进口滤网。在 5 个内六角螺钉上施加 8.5 Nm [75 英寸磅] 的扭矩。
16. 安装新的油箱垫圈。
17. 按照第 1 至 11 步的相反顺序重新安装泵和油箱。

注：在重新安装过程中，将紧固件紧固到以下扭矩：

- 顶板油箱固定螺栓：将 Loctite 243 涂抹到螺纹上，施加 5.6-6.7 Nm [50-60 英寸磅] 的扭矩。
 - 滚柱罩螺栓：将 Loctite 243 涂抹到螺纹上，施加 13.5-15.8 Nm [120-140 英寸磅] 的扭矩。
 - 侧面板螺栓：将 Loctite 243 涂抹到螺纹上，施加 6.7-8.1 Nm [60-72 英寸磅] 的扭矩。
18. 将干净的 Enerpac HF 液压油加入油箱 (ISO 32 级)。油位如图 2 所示时油箱满。

7.0 故障排除 (参见《故障排除指南》)

只有合格的液压技术人员才能维修泵或系统组件。系统故障不一定是由泵故障导致的。要确定问题的原因，诊断过程必须包括整个系统。

故障排除指南中的信息仅用于帮助确定是否存在问题。有关维修服务，请联系您当地的 Enerpac 授权服务中心。

故障排除指南		
问题	可能的原因	操作
按下“ON/ADV (开/前进)”按钮时泵没有启动。	没电。	连接电源。
	电源线损坏。	确定电源线未受损。
	断路器跳闸。	按下断路器按钮复位。
	电压低。	关闭其它电气负载。 使用更粗大的压力计延伸线。
	悬吊开关损坏。	维修悬吊开关。 联系授权服务中心。
电机在承受负载后停止运转。	电压低。	按下断路器按钮复位 (如果跳闸)。 关闭其它电气负载。 使用更粗大的压力计延伸线。
	油温度低	按下断路器按钮复位 (如果跳闸)。 在 140 巴 [2000 psi] 下使泵运行 5 分钟， 以使油升温，然后再使用泵。 在寒冷气候下使用 Enerpac LX 油 (ISO 15 级)。

(转下页)

故障排除指南（续）		
问题	可能的原因	操作
运行噪音大。	系统内有滞留的空气。	除系统中的空气。
	油箱通气孔未安装。	按照第 4.1 节拔下运输管塞并安装通气孔。
	油位低。	确保在油箱中将油加注到正常油位。按照第 4.2 节加油。
	漏气。	检查空气可能进入该系统的所有点。拧紧配件和/或必要时进行维修。
	进口滤网堵塞。	清洁进口滤网。
电动阀没有正常工作。	泵没有通电或电压错误。	按照泵铭牌上的要求连接正确的电源。
	螺线管电缆断开或损坏	连接、维修或更换电缆。
	螺线管线圈未工作。	联系授权服务中心。
泵运行，但没有泵油。 或者 泵无法形成全压。	泵未进行预充。	使泵运行几分钟，同时从一边到另一边轻轻倾斜泵。
	油箱通气孔未安装。	按照第 4.1 节拔下运输管塞并安装通气孔。
	油位低。	按照第 4.2 节加油。
	泄压阀压力设定过低。	按照第 5.6 节调节。
	外部系统泄漏。	检查零件，必要时修理或更换零件。
	进口滤网堵塞。	清洁进口滤网。
	泵存在内部泄漏。	联系授权服务中心。
	阀存在内部泄漏。	
系统组件存在内部泄漏。		
泵已打上全压，但是扭矩扳手不前进。	全压时扭矩大于扳手的承受能力。	使用承受能力更高的扭矩扳手。
	到扳手的前进流线路受限制或受阻。	按照第 4.4 节检查接头是否完全啮合。
扭矩扳手不会收缩。	来自扳手的回流线路受限或阻塞。	按照第 4.4 节检查接头是否完全啮合。 收缩过程中运行电机。
	阀故障。	联系授权服务中心。
泵电机停止时，压力表读数不为零 (0) 巴/psi。	压力未释放。	按照第 5.4 节释放压力。
	压力表未校准。	使用合格校准设备重新校准压力表。
泵热行。	前进或后退流受限制。	按照第 4.4 节检查接头是否完全啮合。
	油位低。	按照第 4.2 节加油。
	油冷却器风扇不工作。	检查油冷却器风扇的工作是否正常。
	油冷却器热交换器被灰尘覆盖或堵塞。	清除油冷却器翅片和风扇上的灰尘。 检查油冷却器管件是否堵塞。

L3060 Rev. B 08/12

本製品の修理部品表は、エナパックのウェブサイト、www.enerpac.com、最寄りの正規エナパックサービスセンターまたはエナパック営業所で入手することができます。

1.0 納品時の重要指示

全ての部品に運送中の損傷がないか目視で確かめてください。運送中の損傷は保証されません。運送中の損傷が見つかった場合、すぐに運送業者に連絡してください。運送中に生じた損傷については、運送業者が修理費や交換費を全て負担します。

安全第一

2.0 安全事項



指示、警告、注意は必ずよくお読みください。安全注意事項に従って、システム操作中に人身事故や器物破損が起こらないようにしてください。エナパックは、不安

全な製品の使用、保守の不足、製品及び/又はシステムの不正な操作から生じる損傷や怪我には責任を負いません。安全注意事項及び操作に関して疑問点があれば、エナパックまでお問い合わせください。高圧油圧の安全に関する訓練を受けたことがない場合、無料のエナパックハイドロリック安全コースについて、担当の販売店又はサービスセンターにお問い合わせください。

以下の注意及び警告に従わない場合、装置破損や人身事故の原因となる恐れがあります。

注意は、装置やその他器物の破損を防止するための、適正な操作や保守手順を示す場合に使われます。

警告は、人身事故を予防するために適正な手順や心得が必要な潜在的な危険性を示します。

危険は、重傷や死亡事故の原因となる恐れがある禁止行為又は必須行為を示します。



警告: 油圧機器を取り扱う際は、適切な保護用具を装着してください。



警告: 油圧によって支える荷物はきれいにしておいてください。シリンダを荷揚げのために利用する場合、絶対に荷重保持には使用しないでください。荷物を揚げ降ろした後は、必ず機械的なブロック(固定)を施してください。



警告: 荷物の保持には、必ず頑丈なものを使用してください。荷物を支持可能なスチール製又は木製のブロックを慎重に選んでください。どのような荷揚げ又はプレスであっても、油圧シリンダを絶対にシム又はスペーサーとして使用しないでください。



危険: 操作中は、人身事故を防止するため、シリンダや作業物から手足を離してください。



警告: システムの使用圧力は、システム内の最低定格部品の圧力定格を超えないようにしてください。圧力計をシステムに取り付けて、使用圧力をモニターしてください。システムの監視は、各自が行ってください。



注意: 油圧ホースを損傷させないでください。油圧ホースは、敷設時に折り曲げたりねじったりしないでください。折れ曲がったりねじれたホースを使用すると、大きな逆圧が発生します。ホースを折れ曲がったりねじれたままにしておくと、ホースの内部が損傷して、早期故障を引き起こします。



ホースの上に**重いものを落とさない**でください。強い衝撃によって、ホース内部のワイヤストランドが損傷する恐れがあります。損傷しているホースに圧力をかけると、破裂する恐れがあります。



重要: 油圧装置は、ホースやスイベルカブラを使って持ち上げないでください。安全に移動させるために、キャリングハンドルやその他の手段を用いてください。



注意: 油圧装置は、火気や熱源から離してください。過熱によって、パッキンやシールが柔らかくなり、液漏れが生じます。また、熱によって、ホース材やパッキンが劣化します。最適な性能を保つには、装置を65°C (150°F) 以上の温度にさらさないでください。ホースやシリンダに対する溶接スバッタは避けてください。



危険: 加圧されているホースには、**触れない**でください。加圧状態のオイルが漏れて皮膚に浸透すると、重大な人身事故の原因となります。オイルが皮膚下にしみ込んだ場合、すぐに医師の診断を受けてください。



警告: 油圧シリンダは、必ず連結システムで使用してください。カブラを接続していないシリンダは使用しないでください。シリンダは、極度な過荷重を受けると部品が破壊されて重大な人身事故の原因となります。



重要: 資格を持った油圧技術者以外は、ポンプあるいはシステム構成品の点検修理を行わないでください。点検修理についてはお近くの正規エナパックサービスセンターにご連絡ください。保証を受けるためには、必ずエナパックオイルを使用してください。



警告: 摩耗したり損傷した部品は、直ちにエナパックの純正部品と交換してください。市販の標準部品は、破損して人身事故や器物破損の原因となる場合があります。エナパック製の部品は、高荷重に適合および耐えるように設計製造されています。



警告: 電動ポンプを爆発性気体の中で使用しないでください。地域および国の電気規則に従ってください。資格を持った電気技術者が設置および調整を行う必要があります。



警告:動いている部品や圧力のかかったホースに触れないようにしてください。



注意:ポンプの電動モーターの損傷を避けるために、仕様を確認してください。誤った電源を使用するとモーターが損傷することがあります。



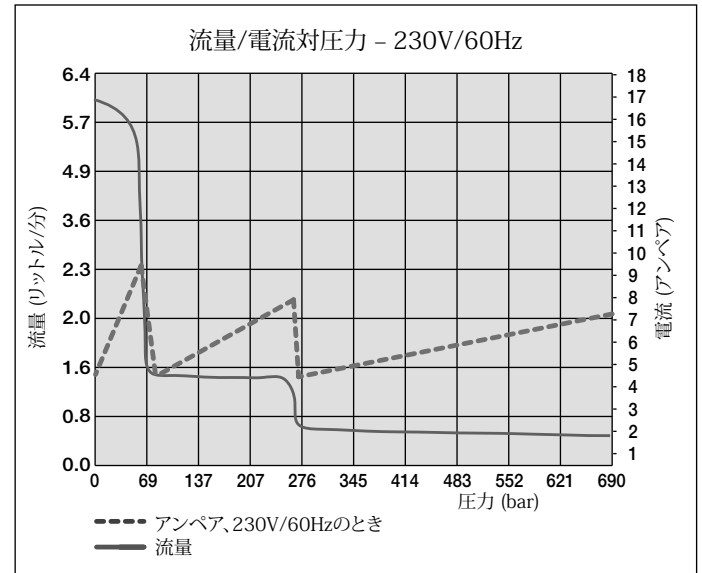
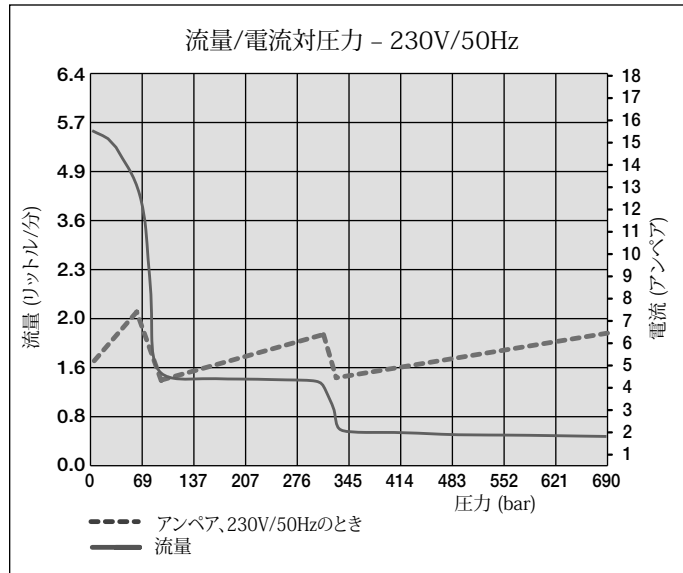
警告:これらのポンプには弊社工場で調整済みの安全弁がついています。この弁は、認定を受けたエナパックサービスセンター以外で修理または調整を行ってはいけません。

3.0 製品データ

3.1 仕様

モデル	モーターサイズ	最大操作圧	モーター電気仕様	出力流量			騒音レベル	逃し弁の調整範囲	およその重量 (オイルを含まない)
	HP [kW]			psi [bar]	ボルト-位相-ヘルツ	1 段			
TQ-700E	1.0 [0,75]	10,000 [700]	230-1-50	320 in ³ [5.25 リットル/分] 、100 psi [6.9 bar]の とき	82 in ³ [1.34 リットル/分] 、4,300 psi [296 bar]の とき	30 in ³ [0.49 リットル/分] 、10,000 psi [700 bar]の とき	82-85	1,400-10,000 [140-700]	66 [30]
TQ-700I	1.0 [0,75]	10,000 [700]	230-1-60	380 in ³ [6.23 リットル/分] 、100 psi [6.9 bar]の とき	98 in ³ [1.61 リットル/分] 、3,750 psi [258 bar]の とき	38 in ³ [0.63 リットル/分] 、10,000 psi [700 bar]の とき	75-79	1,400-10,000 [140-700]	66 [30]

3.2 性能チャート(オイル流量/電流対圧力)



注: 実際の電流引き込みは、用途によって異なります。

4.0 取り付け

モーターとポンプ周辺の空気の流れを妨げないように、ポンプの位置を決めます。運転中に最大限の冷却を確保できるように、モーターは清潔な状態に保ってください。

4.1 タンクブリーザ

図1を参照してください。タンク上面のブリーザポートには、運送用プラグ(A)が取り付けられています。ポンプ使用前に、運送用プラグ(A)をタンクブリーザ(B)およびアダプタ継手(C)に取り替えます。

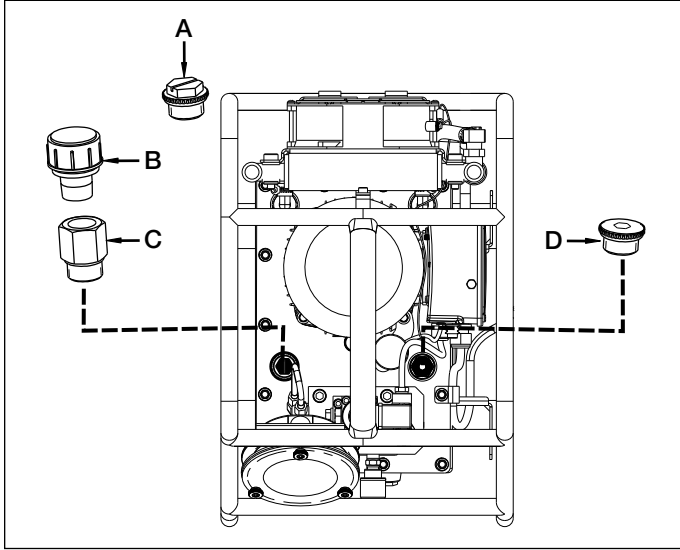


図1 タンクブリーザとオイル充填プラグ

4.2 オイルレベル

始動前にポンプのオイルレベルを点検します。図2に示すように、オイルレベルがサイトゲージの上側のラインに達すると、タンクは満杯の状態です。必要に応じて、図1に示すように、オイル充填プラグ(D)をフィルターチューブから外して、オイルを補充してください。Enerpac HF オイル (ISOグレード32) をご使用ください。

重要:すべてのシステム部品を完全に元の位置に戻してから、オイルを補充してください。これに従わない場合、タンクの容量を超えるオイルがシステムに送られます。オイルレベルがゲージの上側のラインを超えても構いませんが、ポンプカバープレートの下側よりも2.5 cm [1 inch] 下のところまでに留めてください。

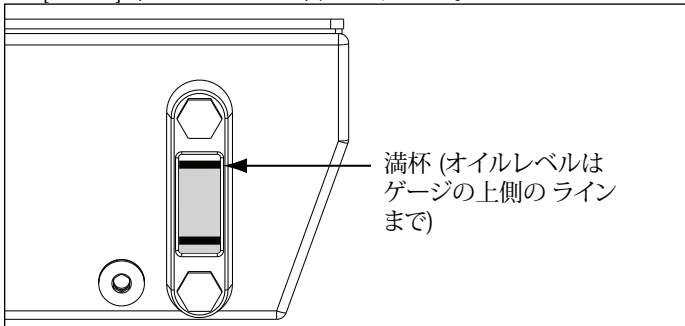


図2 オイルサイトゲージ

4.3 電気接続



警告: このポンプには、所定の電圧用の一般的な電気プラグが出荷時に付属されています。プラグのタイプを変更する場合、必ず資格を持った技術者が地域および各国で適用されるすべての規則に従って行ってください。

1. 絶縁および配線回路の保護はお客様が行ってください。ライン回路保護は、最大圧力用途でのモーター最大負荷電流の115%に設定してください。
2. 詳細については、ポンプの銘板/モーターの銘板に記載されている定格電力を参照してください。セクション3.2も参照してください。

4.4 Hydraulic Connections

継手などのネジ式の接続はしっかり締め付けて、漏れがないようにしてください。テフロンテープ(またはその他の適切なネジ山のシール材)をすべてのネジ山に1-1/2回巻き付け、1つめのネジ山が完全に露出された状態にし、異物が油圧サーキットに混入しないようにしてください。剥き出した部分を整えます。

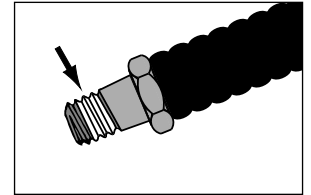


図3 ネジ山のシール材

重要: テープ片が油圧システムに入り込まないように注意してください。

図4と5に示すように、ホースを接続します。

定格700 bar [10,000 psi]のホースを使用してください。レンチを適切に作動させるため、カプラは、図5に示されている方向にしてください。使用する前に、カプラが完全に接続され、締め付けられていることを確認してください。カプラの接続が不十分な場合、レンチは正しく作動しません。



警告: マルチレンチマニホール付きポンプを使用するときは、ポンプを始動する前に、使用しないすべてのカプラに保護キャップを完全に取り付けてください。

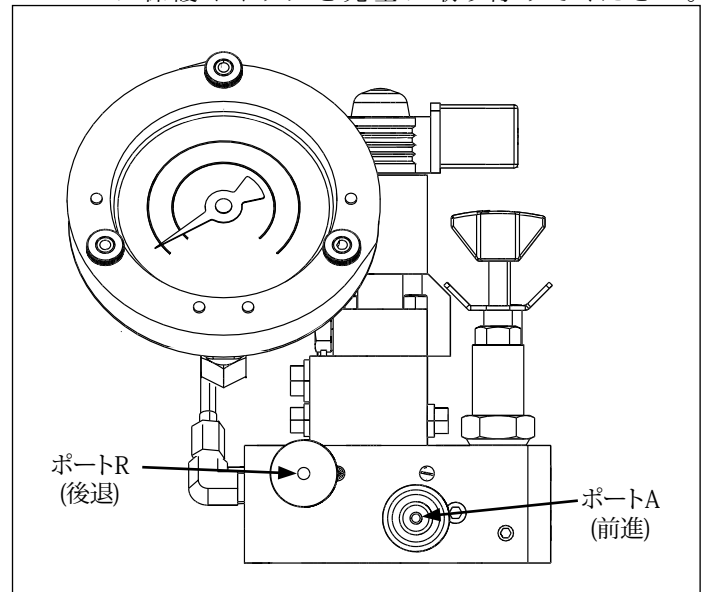


図4 バルブ接続

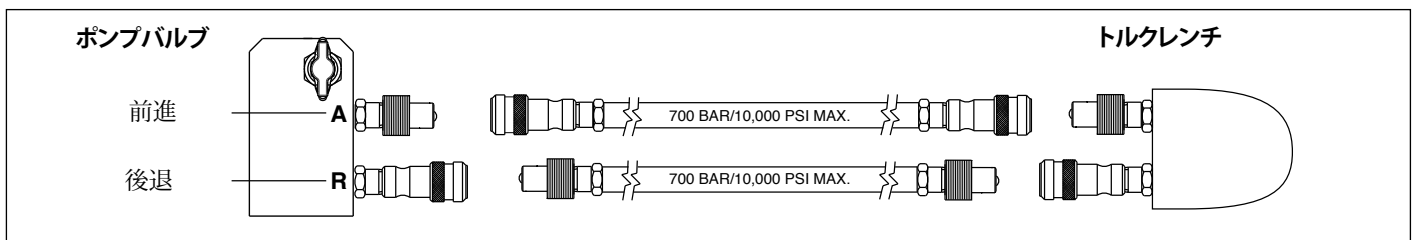


図5 ホースの詳細 (上面図)

5.0 操作

5.1 ボンプを操作する前に

1. セクション4.1と4.2の説明に従って、タンクブリーザを取り付けて、オイルレベルを点検します。
2. トルクオーバーレイを使用する場合、セクション5.5の説明に従って取り付けます。
3. 圧力(トルク)をセクション5.6の説明に従って設定します。
4. セクション4.4の説明に従って、油圧ホースを接続します

5.2 ペンダントの操作

図6参照

ペンダントの「ON/ADV」ボタン:

ボタンを押すと -

- モーターが始動します。
- レンチは、ボタンを押し下げている限り、前進し続けます。

ボタンを放すと -

- レンチが後退します。
- モーターは20秒間作動し続けます。

ペンダント「OFF」ボタン:

ボタンを押すと、モーターが急停止します。(時間遅延なし)

5.3 ポンプの操作

重要: 可能であれば、トルクレンチとポンプは、各1名のオペレーターが操作してください。これにより、オペレーターがレンチの位置を合わせているときに、ポンプが誤って始動する事故を防止できます。

警告: 以下の手順に従って、ポンプのモーターを始動させ、バルブを自動的に切り替え、トルクレンチを後退させることができます。モーターを始動する前に、人身傷害や装置破損を防止するため、トルクレンチの位置を確認してください。

1. ポンプを始動するには、ペンダントの「ON/ADV」ボタンを押します。図6を参照してください。モーターが自動的に始動して、レンチが前進し始めます。ボタンを押し下げている間、レンチは前進し続けます。圧力計には、前進サーキットの圧力が表示されます。
2. レンチを後退させるには、「ON/ADV」ボタンを放します。ボタンを放した後、圧力計には後退サーキット(Rポートバイパス)の圧力(約173-193 bar[2500 - 2800 psi])が表示されます。
3. 「OFF」ボタンを押すと、ポンプが停止します。

注: 「ON/ADV」ボタンを20秒間押さないまましていると、ポンプの内蔵タイマーによりモーターが自動的に停止します。

注: レンチを初めてポンプに接続するとき、油圧サーキット内に空気が閉じこめられている可能性があります。ポンプの下にレンチと真っ直ぐなホースを配置してエアを抜きます。必要に応じて、前進と後退が円滑になるまで、負荷をかけずにレンチを操作します。

5.4 除圧

レンチとホースの油圧を除去するには:

- 「OFF」ボタンを押し下げます。図7を参照してください。
- 「OFF」ボタンを押し下げたまま、圧力計の表示が(0)bar/psiになるまで、「ON/ADV」ボタンを押して放す操作を3回以上繰り返します。これでホースを外すことができます。

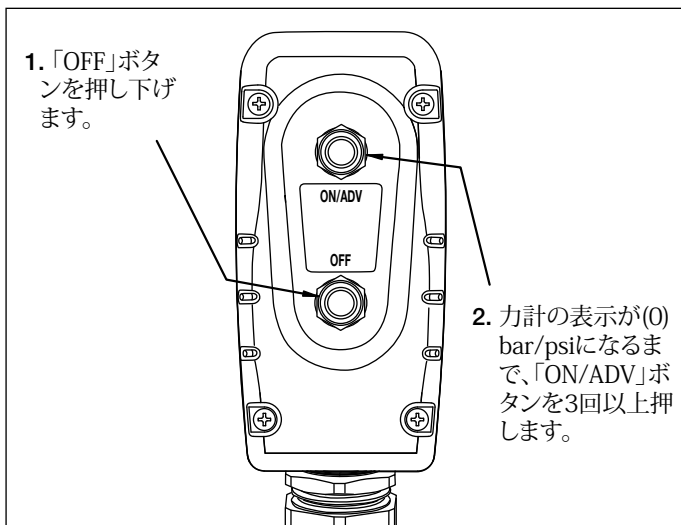


図7 除圧(ペンダントボタン使用)。

ペンダントボタンを使用して圧力を除去できない場合、バルブアセンブリ上部の手动オーバーライドボタンを押し下げます。これにより、バルブスプールが手で切り替えられ、閉じ込められている圧力が除去されます。

重要: 手动オーバーライドボタンは、停電時などの緊急時にのみ使用してください。

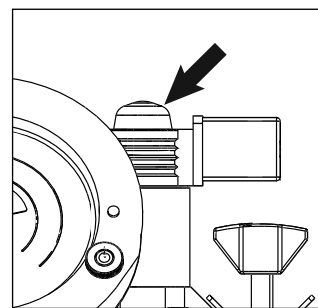


図8 手动オーバーライドボタン(バルブ上部)

5.5 圧力計トルクオーバーレイ

ンプには、お選びいただいたEnerpackトルクレンチモデル用のトルクオーバーレイが付属されています。

トルクオーバーレイを圧力計の目盛面にかぶせるだけで、圧力読み取りとトルク読み取りが入れ替えられます。オーバーレイの一方の面にはヤードポンド単位(ft-lbs)、片方の面にはメートル単位(Nm)が表示されます。オーバーレイカバーを裏返すだけで、目盛の単位が変わります。

警告: 各オーバーレイは、Enerpackトルクレンチモデル専用サイズです。他のレンチモデルには使用しないでください。

以下の手順に従って、トルクオーバーレイを取り付けます。図9を参照してください。

1. ゲージシールドを固定している上の蝶ネジを外します。下の2本の蝶ネジは、緩めるだけにして、外さないでください。
2. 使用するオーバーレイをフランジブラケットにかぶせて、オーバーレイをブラケットのくぼみに合わせます。

重要: ご使用のEnerpackトルクレンチに適したオーバーレイが取り付けられていることを必ず確認してください。

3. オーバーレイを位置決めした後、下の2本の蝶ネジを締め付けます。上の蝶ネジを取り付け直して締め付けます。
4. トルク設定に必要な油圧については、トルクレンチの説明書を参照してください。最大圧力は、レンチやアクセサリの種類によって異なりますので、ご注意ください。

重要: レンチの操作手順と仕様については、トルクレンチの説明書を参照してください。

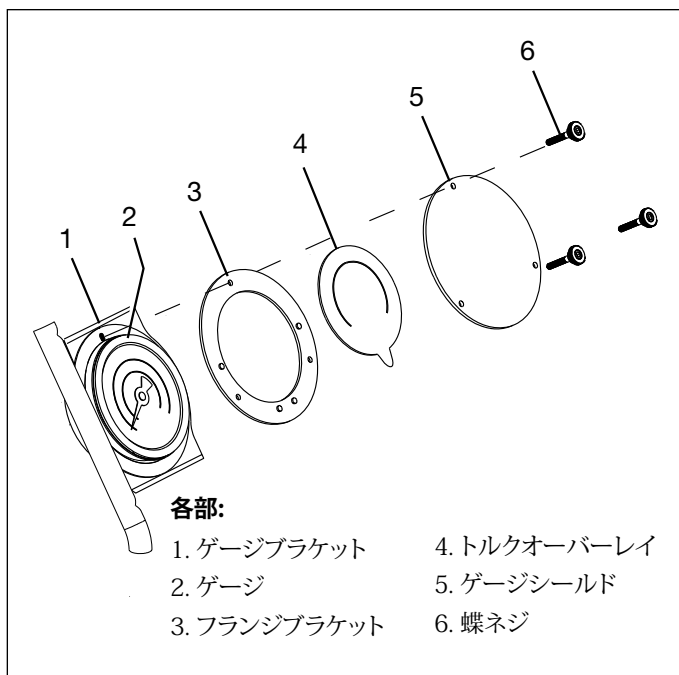


図9 ゲージオーバーレイ

5.6 圧力(トルク)設定

トルクレンチに対する前進圧力を制限するには、以下の手順に従って圧力設定を調整します。図10を参照してください。

警告: ポンプの圧力設定の調整この調整は、トルクレンチをナットやボルトのヘッド部に対して使用する前に行ってください。ポンプ圧力は、用途に必要なトルクを与えるのに要求される圧力を超えないように設定してください。必要なトルクを超えると、装置破損や重大な人身傷害の原因となります。

1. バルブマニホールド「A」と「R」ポートからホースを外します。金属保護キャップを継手に取り付けます。
2. 逃がし弁の固定ナットを緩めます。
3. 必要に応じて、調整ノブを反時計方向に回して、予期せぬ圧力が生じるのを防ぎます。
4. ペンダントの「ON/ADV」ボタンを押し下げます。モーターが始動して、Aポートの前進サーキットで圧力が立ち上がります。
5. ペンダントの「ON/ADV」ボタンを押し下げたまま、圧力設定を上げるには時計方向、下げるには反時計方向に調整ノブをゆっくり回します。

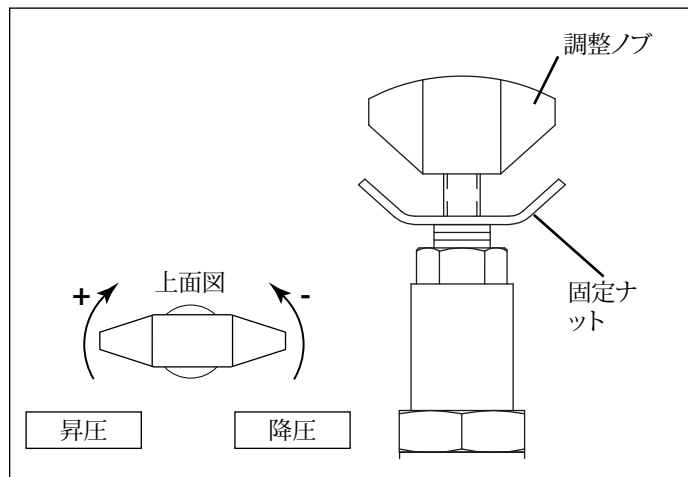


図10 圧力設定の調整

6. ペンダントの「ON/ADV」ボタンを放すと、システムの圧力がRポートの後退設定に戻ります。モーターは作動し続けます。

7. ペンダントの「ON/ADV」ボタンをもう一度押し下げて、前進サーキットの圧力設定を再点検します。圧力計に必要な圧力が表示されていることを確認します。

8. 必要な圧力設定が得られた後、逃がし弁の固定ナットを締め付けます。

5.7 サーキットブレーカー

押しボタン式のサーキットブレーカーは、ポンプの配電ボックスにあります。

図11を参照してください。過負荷の場合、サーキットブレーカーがトリップして切れます。

過負荷の原因を調べて修正してから、サーキットブレーカーボタンを押してリセットしてください。

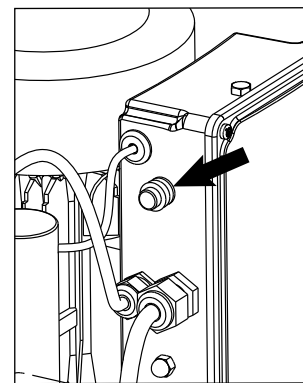


図11 サーキットブレーカー

6.0 メンテナンス

システムのすべての部品を頻繁に検査して、漏れや損傷がないことを確認してください。損傷した部品は、修理または交換してください。電源コードなど電気部品の修理や交換は、必ず資格を持つ電気技術者が地域および国の規則に従って行ってください。



警告: メンテナンスや修理を行なう前に、ポンプを電源から切り離してください。

6.1 オイル交換とタンク洗浄

Enerpac HF オイルは、鮮明な青色です。ポンプのオイルと新品のEnerpacオイルの状態を比べて、オイルの汚れ具合を頻繁に確認してください。一般的に、250時間毎、または汚れやすい環境で使用している場合は、さらに頻繁にタンクからオイルを完全に抜いて洗浄してください。

注: この手順では、ポンプをタンクから取り外す必要があります。汚れていないきれいな作業台で洗浄して、使用済みのオイルは地域の規則に従って処分してください。

以下の手順に従って、オイルを交換してタンクを洗浄します。部品の識別および分解/再組み立てについては、ポンプ修理部品シートを参照してください。

1. ポンプの電源コードを電源コンセントから外します。
2. ドレンプラグを外し、タンクからすべてのオイルを適当な容器に排出します。ドレンプラグを清掃して再取り付けします。
3. ロールケージから左右両側のパネルを取り外します。
4. 圧力計の配管を外します。
- 注: 以下の手順の最中に、オイルが取り外したホースから流れ出す場合があります。ホースの端の下に適当な容器を置いて、オイルを排出してください。
5. タンク側のオイル冷却ホースのクランプを緩めます。ホースを継手から丁寧に取り外します。
6. ファンからファンケーブルのプラグを外します。ファンのアースネジからアース線(緑色)を外します。
7. ポンプタンクをロールケージに固定しているボルトを外します。ポンプをロールケージから取り外します。
8. ポンプの電源コードとペンダントケーブルをコード保管ブラケットから取り出します。
9. コード保管ブラケットをポンプカバープレートに固定している2本のボルトを外します。ブラケット、シーリングワッシャ、銅製ワッシャを外します。

10. ポンプのトッププレートの外縁周りの残りのボルトと銅製ワッシャを外します。
11. ポンプアセンブリをタンクから注意しながら持ち上げて外します。
12. タンクの内面を拭きます。タンクを適切な洗浄剤で完全に洗浄します。



警告: 洗浄剤や溶剤を使用するときは、各メーカーの指示に従ってください。手や眼を保護する適切な保護具を着用してください。

13. 吸入スクリーンを1段ギヤポンプに固定している5本のアレンソケットヘッドキャップネジを外します。センタープレートとギヤを外さないように注意してください。

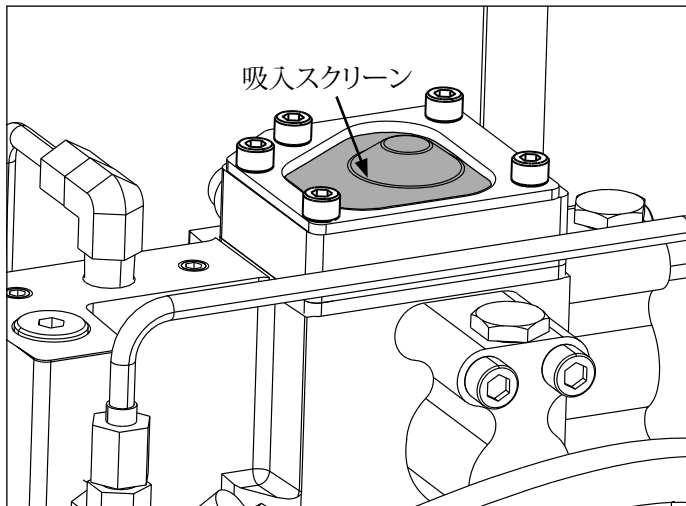


図12 吸入スクリーン

(注: 上の図のポンプは、タンクから取り外して逆さまにした状態です)

14. 吸入スクリーンを外し、不燃性の溶剤で洗浄します。洗浄後に、空気を吹き付けてスクリーンを乾かします。



警告: 圧縮空気の使用時には、眼を保護する適切な保護具を着用してください。クリーニングが目的の場合、30 psiを超えないでください。

15. 吸入スクリーンを再取り付けします。5本のアレンソケットヘッドキャップネジをトルク[8.5 Nm]/75 in-lbsで締め付けます。
16. 新品のポンプブラケットを取り付けます。
17. 手順1~11を逆の順番で行なって、ポンプとタンクを再組み立てします。

注: 再組み立て中は、締結部品を以下のトルクで締め付けます:

- トッププレートポンプ着脱ボルト: Loctite 243をネジ山に塗布して、トルク[5.6-6.7 Nm]/50-60 in-lbsで締め付けます。
- ロールケージのボルト: Loctite 243をネジ山に塗布して、トルク[13.5-15.8 Nm]/120-3,556.00 mm-lbsで締め付けます。
- サイドパネルのボルト: Loctite 243をネジ山に塗布して、トルク[6.7-8.1 Nm]/60-72 in-lbsで締め付けます。

18. オイルタンクに新しいEnerpac HF油圧オイル(ISO グレード32)を充填します。オイルレベルが図2に示す状態になれば、タンクは満杯です。

7.0 トラブルシューティング(トラブルシューティングガイド参照)

ポンプまたはシステム部品の整備は、必ず資格を持った油圧技術者が行ってください。システムの障害は、ポンプの不具合が原因の場合とそうでない場合があります。問題の原因を特定するには、あらゆる診断手順でシステム全体を点検する必要があります。

トラブルシューティングガイドの情報は、問題がある場合に、原因を特定する補助目的としてのみ使用してください。修理サービスについては、最寄りのEnerpac認定サービスセンターにお問い合わせください。

トラブルシューティングガイド		
症状	考えられる原因	処置
「ON/ADV」ボタンを押し下げても、ポンプが始動しない。	電源が供給されていない。	電源を接続してください。
	電源コードが損傷している。	電源コードが損傷していないか確認してください。
	サーキットブレーカーがトリップして切れている。	サーキットブレーカーボタンを押してリセットしてください。
	電圧が低い。	その他の電気装置の電源を切ってください。 より負荷の高い圧力計延長コードを使用してください。
負荷がかかるとモーターが停止する。	ペンダントが損傷している。	ペンダントを修理してください。 正規サービスセンターにお問い合わせください。
	電圧が低い。	サーキットブレーカーボタンを押してリセットしてください(トリップして切れている場合)。 他の電気装置の電源を切ってください。 より負荷の高い圧力計延長コードを使用してください。
	オイルが冷えている	サーキットブレーカーボタンを押してリセットしてください(トリップして切れている場合)。 ポンプを 140 bar i [2000 ps] で5分間作動させながら、使用する前にオイルを温めてください。 寒冷地では、Enerpac LX オイル(ISOグレード15)を使用してください。

(次ページに続く)

トラブルシューティングガイド(続き)

症状	考えられる原因	処置
操作中に騒音が発生する。	システムにエアが混入している。	システムからエアを抜いてください。
	タンクブリーザが取り付けられていない。	セクション4.1に従って、運送用プラグを外して、ブリーザを取り付けてください。
	オイルレベルが低い。	オイルタンクが通常のレベルまで充填されているか確認してください。セクション4.2に従って、オイルを補充してください。
	エアが漏れる。	エアが混入する、システムのすべての部分を点検してください。必要に応じて、継手を締め付けるか修理してください。
	吸入スクリーンが詰まっている。	吸入スクリーンを清掃してください。
電動弁が作動しない。	ポンプに電源が供給されていない、または電圧が誤っている。	ポンプの銘板に従って、正しい電源に接続してください。
	ソレノイドケーブルが接続されていないか損傷している。	ケーブルを接続、修理または交換してください。
	ソレノイドコイルが作動しない。	正規サービスセンターにお問い合わせください。
ポンプは作動するが、オイルが吸引されない。 または ポンプの圧力が立ち上がらない。	ポンプがプライミングされていない。	ポンプを数分間作動させながら、ゆっくりと左右に傾けてください。
	タンクブリーザが取り付けられていない。	セクション4.1に従って、運送用プラグを外して、ブリーザを取り付けてください。
	オイルレベルが低い。	セクション4.2に従って、オイルを補充してください。
	逃し弁の設定が低過ぎる。	セクション5.6に従って、調整してください。
	外部システムで漏れが生じている。	部品を点検して、必要に応じて修理または交換してください。
	吸入スクリーンが詰まっている。	吸入スクリーンを清掃してください。
	ポンプ内で漏れが生じている。	正規サービスセンターにお問い合わせください。
	バルブ内で漏れが生じている。	
	システム部品内で漏れが生じている。	
ポンプは最高圧力になるが、トルクレンチが前進しない。	最高圧力でのレンチの容量をトルクが上回っている。	容量が大きいトルクレンチを使用してください。
	レンチへの前方の流れが制限またはブロックされている。	セクション4.4に従って、カプラが完全に接続されているか点検してください。
トルクレンチが後退しない。	レンチから戻る流れが制限またはブロックされている。	セクション4.4に従って、カプラが完全に接続されているか点検してください。 後退時にモーターを作動してください。
	バルブに動作不良が生じている。	正規サービスセンターにお問い合わせください。
ポンプのモーターを停止しても、ポンプ圧力計の表示がゼロ(0) bar/psiにならない。	除圧されていない。	セクション5.4に従って、除圧してください。
	圧力計が校正されていない。	資格を持つ校正施設で圧力計を再校正してください。
ポンプが熱くなる。	前進または後退の流れが制限されている。	セクション4.4に従って、カプラが完全に接続されているか点検してください。
	オイルレベルが低い。	セクション4.2に従って、オイルを補充してください。
	オイル冷却ファンが作動しない。	オイル冷却ファンが適切に作動しているか点検してください。
	オイル冷却の熱交換器がほこりをかぶっている、または塞がれている。	オイル冷却フィンまたはファンからほこりを取り除いてください。 オイル冷却配管が詰まっていないか点検してください。

Enerpac Worldwide Locations

✦ e-mail: info@enerpac.com

✦ internet: www.enerpac.com

Australia and New Zealand

Actuant Australia Ltd.
Block V Unit 3
Regents Park Estate
391 Park Road
Regents Park NSW 2143
(P.O. Box 261) Australia
T +61 (0)2 9743 8988
F +61 (0)2 9743 8648
sales-au@enerpac.com

Brazil

Power Packer do Brasil Ltda.
Rua dos Inocentes, 587
04764-050 - Sao Paulo (SP)
T +55 11 5687 2211
F +55 11 5686 5583
Toll Free: 0800 891 5770
vendasbrasil@enerpac.com

Canada

Actuant Canada Corporation
6615 Ordan Drive, Unit 14-15
Mississauga, Ontario L5T 1X2
T +1 905 564 5749
F +1 905 564 0305
Toll Free:
T +1 800 268 4987
F +1 800 461 2456
customer.service@actuant.com

China

Actuant (China) Industries Co. Ltd.
No. 6 Nanjing East Road,
Taicang Economic Dep Zone
Jiangsu, China
T +86 0512 5328 7500
F +86 0512 5335 9690
Toll Free: +86 400 885 0369
sales-cn@enerpac.com

France, Switzerland, North Africa and French speaking African countries

ENERPAC
Une division d'ACTUANT France S.A.
ZA de Courtaboeuf
32, avenue de la Baltique
91140 VILLEBON /YVETTE
France
T +33 1 60 13 68 68
F +33 1 69 20 37 50
sales-fr@enerpac.com

Germany and Austria

ENERPAC GmbH
P.O. Box 300113
D-40401 Düsseldorf
Willstätterstrasse 13
D-40549 Düsseldorf, Germany
T +49 211 471 490
F +49 211 471 49 28
sales-de@enerpac.com

India

ENERPAC Hydraulics Pvt. Ltd.
No. 1A, Peenya Industrial Area
IInd Phase, Bangalore, 560 058, India
T +91 80 40 792 777
F +91 80 40 792 792
sales-in@enerpac.com

Italy

ENERPAC S.p.A.
Via Canova 4
20094 Corsico (Milano)
T +39 02 4861 111
F +39 02 4860 1288
sales-it@enerpac.com

Japan

Applied Power Japan LTD KK
Besshocho 85-7
Kita-ku, Saitama-shi 331-0821, Japan
T +81 48 662 4911
F +81 48 662 4955
sales-jp@enerpac.com

Middle East, Egypt and Libya

ENERPAC Middle East FZE
Office 423, LOB 15
P.O. Box 18004, Jebel Ali, Dubai
United Arab Emirates
T +971 (0)4 8872686
F +971 (0)4 8872687
sales-ua@enerpac.com

Russia

Rep. office Enerpac
Russian Federation
Admirala Makarova Street 8
125212 Moscow, Russia
T +7 495 98090 91
F +7 495 98090 92
sales-ru@enerpac.com

Singapore

Actuant Asia Pte Ltd.
83 Joo Koon Circle
Singapore 629109
T +65 68 63 0611
F +65 64 84 5669
Toll Free: +1800 363 7722
sales-sg@enerpac.com

South Korea

Actuant Korea Ltd.
3Ba 717, Shihwa Industrial Complex
Jungwang-Dong, Shihung-Shi,
Kyunggi-Do
Republic of Korea 429-450
T +82 31 434 4506
F +82 31 434 4507
sales-kr@enerpac.com

Spain and Portugal

ENERPAC SPAIN, S.L.
Avda. Los Frailes, 40 – Nave C & D
Pol. Ind. Los Frailes
28814 Daganzo de Arriba
(Madrid) Spain
T +34 91 884 86 06
F +34 91 884 86 11
sales-es@enerpac.com

Sweden, Denmark, Norway, Finland and Iceland

Enerpac Scandinavia AB
Fabriksgatan 7
412 50 Gothenburg
Sweden
T +46 (0) 31 799 0281
F +46 (0) 31 799 0010
scandinavianinquiries@enerpac.com

The Netherlands, Belgium, Luxembourg, Central and Eastern Europe, Baltic States, Greece, Turkey and CIS countries

ENERPAC B.V.
Galvanistraat 115
6716 AE Ede
P.O. Box 8097
6710 AB Ede
The Netherlands
T +31 318 535 911
F +31 318 535 848
sales-nl@enerpac.com

Enerpac Integrated Solutions B.V.

Opaalstraat 44
7554 TS Hengelo
P.O. Box 421
7550 AK Hengelo
The Netherlands
T +31 74 242 20 45
F +31 74 243 03 38
integratedsolutions@enerpac.com

South Africa and other English speaking African countries

Enerpac Africa Pty Ltd.
No. 5 Bauhinia Avenue
Cambridge Office Park
Block E
Highveld Techno Park
Centurion 0157
South Africa
T: +27 12 940 0656

United Kingdom and Ireland

ENERPAC Ltd.,
Bentley Road South
Darlaston, West Midlands
WS10 8LQ
England
T +44 (0)121 50 50 787
F +44 (0)121 50 50 799
sales-uk@enerpac.com

USA, Latin America and Caribbean

ENERPAC
P.O. Box 3241
Milwaukee WI 53201 USA
T +1 262 293 1600
F +1 262 293 7036
User inquiries:
T +1 800 433 2766
Distributor inquiries/orders:
T +1 800 558 0530
F +1 800 628 0490
Technical inquiries:
techservices@enerpac.com
sales-us@enerpac.com

All Enerpac products are guaranteed
against defects in workmanship and
materials for as long as you own them.

For the location of your nearest authorized
Enerpac Service Center, visit us at
www.enerpac.com

101711