



Repair Parts Sheet

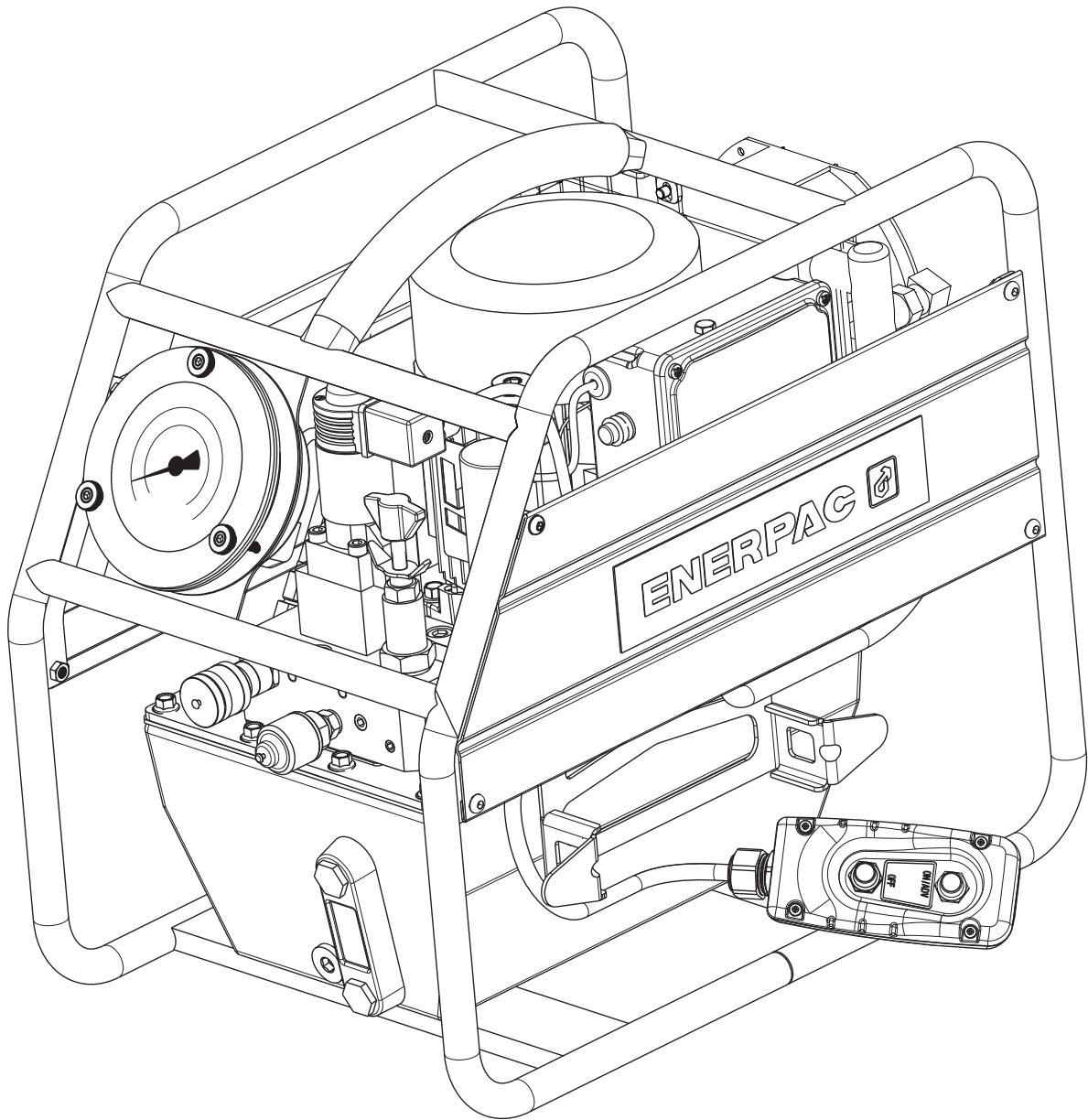
TQ-700 Classic Bolting Pump

L3061 Rev. C 06/22

For Date Codes Beginning with the Letter "A"

**To Protect Your Warranty, Use Only ENERPAC Hydraulic Oil.**

Enerpac recommends that all kit components be installed to insure optimum performance of the repaired product.



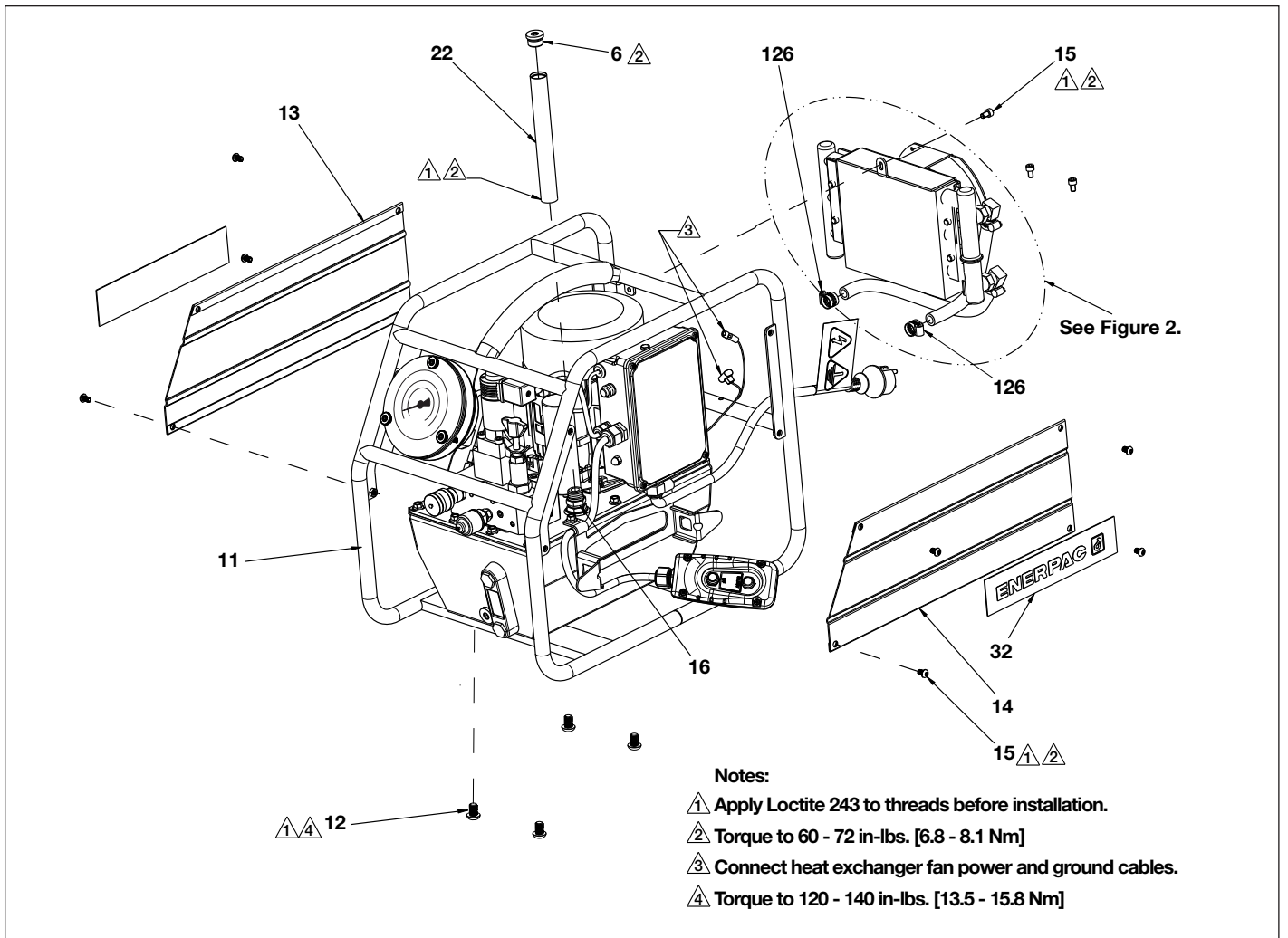


Figure 1, Pump Main Assembly

Repair Parts List (Refer to figure 1)			
Item	Part Number	Qty.	Description
6	B1006006	1	Plug, Socket SAE
11	DD2630201	1	Roll Bar
12	CBE817028-1E	4	BHCS, M8 x 12 Zinc
13	DD2656111	1	Side Panel, Left
14	DD2662111	1	Side Panel, Right
15	☆☆ CBE615028-1E	11	BHCS, M6 x 10mm Zinc
16	F100096-19	1	Union, SAE #8
22	DD2633268	1	Tube, Oil Fill
32	G426026	2	Decal, Enerpac
125	(See Figure 2)	1	Heat Exchanger
126	☆☆ DC9639299	2	Hose Clamp, Steel
☆ Items included with TQHE-115 Heat Exchanger Kit (115 Volt). ☆ Items included with TQHE-230 Heat Exchanger Kit (230 Volt).			

**Notes:**

- ⚠ Apply Loctite 243 to threads before installation.
  - ⚠ Torque to 60 - 72 in-lbs. [6.7 - 8.1 Nm]
  - ⚠ Connect heat exchanger fan power and ground cables.
- See Figure 2B for locations.

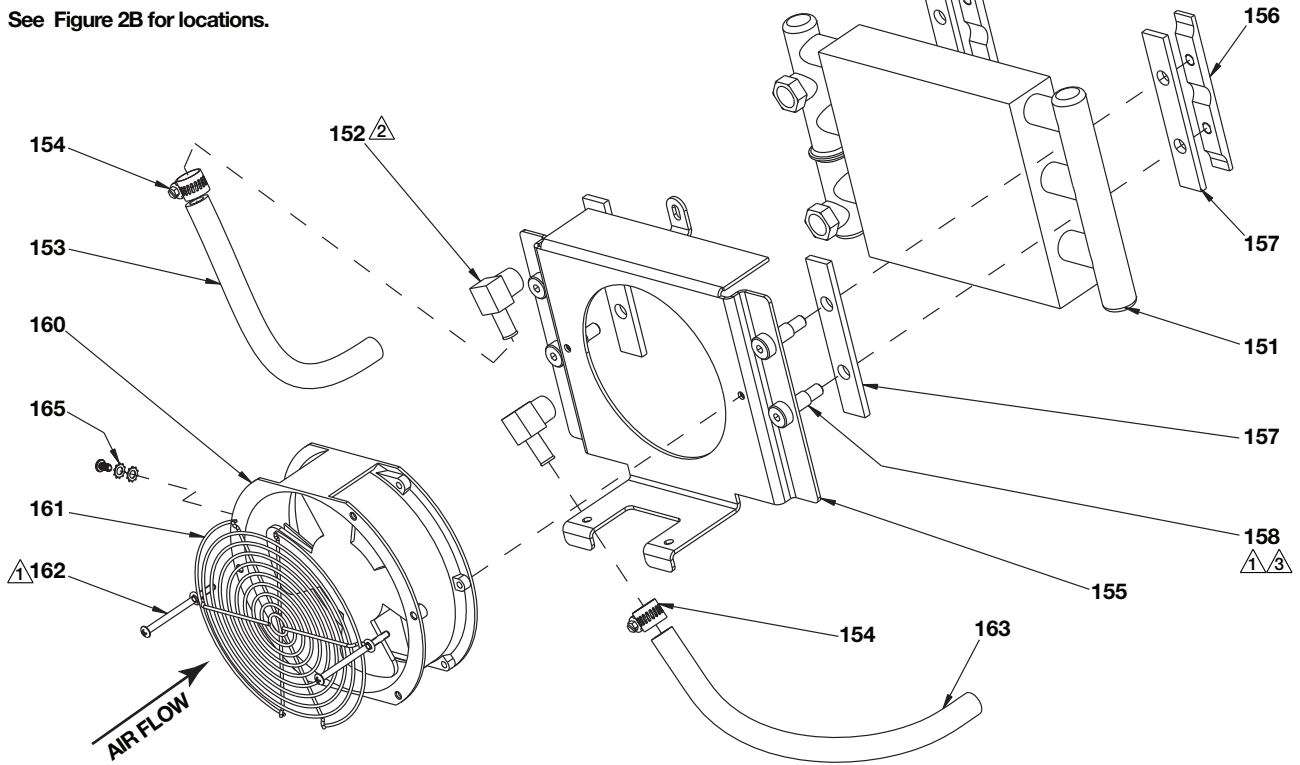


Figure 2A, Oil Cooler Assembly

Repair Parts List (Refer to figure 2A)			
Item	Part Number	Qty.	Description
151	☆☆ DC9546471	1	Heat Exchanger
152	☆☆ PA2029097	2	Hose Barb, Beaded
153	☆☆ DC9335646	1	Hose, Bypass, 8"
154	☆☆ DC9639299	2	Hose Clamp, Steel
155	☆☆ DD2632111	1	Bracket, Heat Exchanger
156	☆☆ DC9555471	2	Bracket, HX Mount
157	☆☆ DC9554037	4	Gasket, HX Mountr
158	☆☆ DC9576242	4	Shoulder Bolt
160	☆ DC8276470	1	Fan, 115V
	☆ DC8277470	1	Fan, 230V
161	☆☆ DC3227689	1	Guard, Fan
162	☆☆ DC9575628	2	Bolt, 8-32 x 2"
163	☆☆ DC9643646	1	Hose, Bypass
165	☆☆ DA15066	2	Lockwasher
☆ Items included in TQHE-115 Heat Exchanger Kit (115 Volt). ☆ Items included in TQHE-230 Heat Exchanger Kit (230 Volt).			

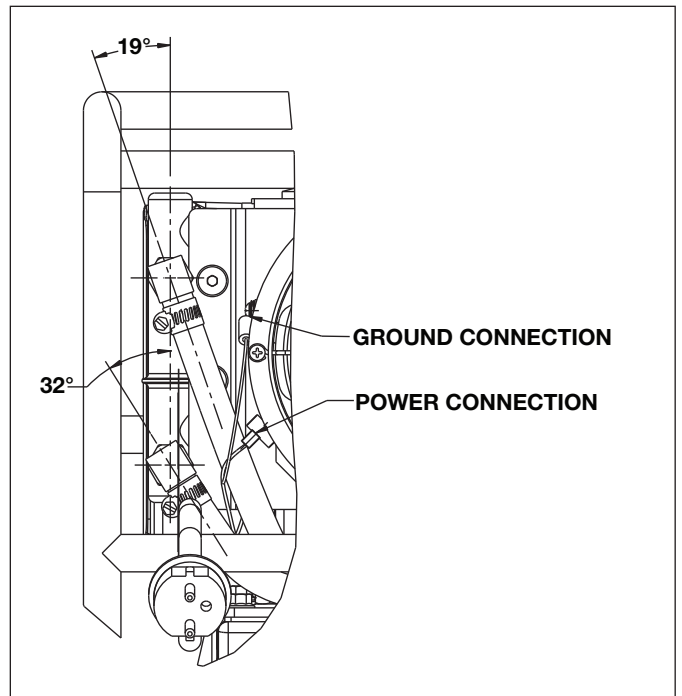


Figure 2B, Oil Cooler Wiring Details

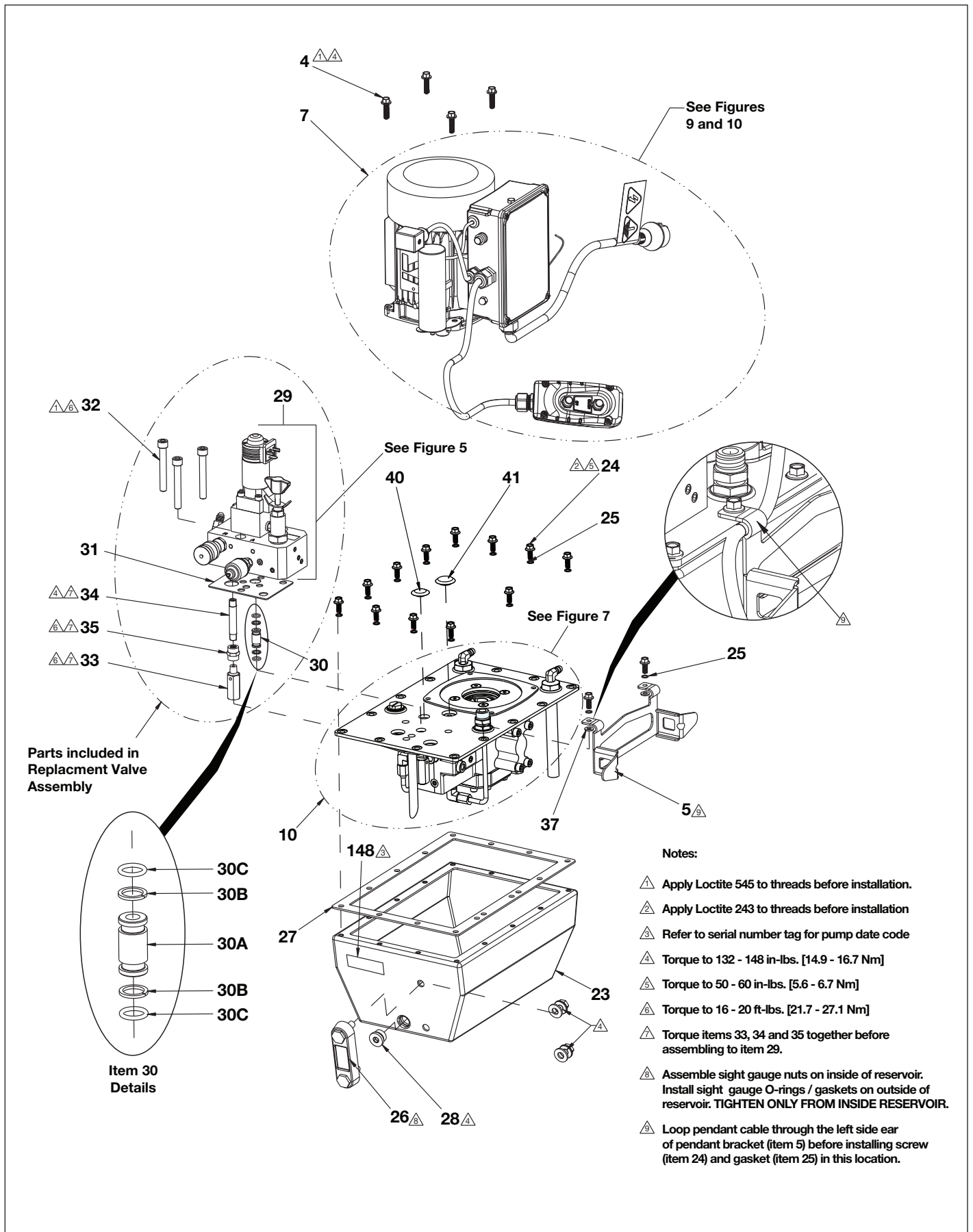


Figure 3, Pump Major Components and Subassemblies

Repair Parts List (Refer to figure 3)			
Item	Part Number	Qty.	Description
4	B2011046	4	HHFCS, 1/4-20 x 1"
5	DD2692111	1	Bracket, Cord
7	(See Figures 9 and 10)	1	Motor and Pendant
10	(See Figure 7)	1	Pump and Coverplate
23	DD2629025	1	Reservoir, 1 Gallon
24	B2005046	14	Screw, 1/3-20 x 5/8"
25	* S3037	14	Gasket, Copper
26	DC2621223	1	Sight Glass Assembly
27	* 85469E	1	Gasket, Reservoir
28	DC8249006	1	Plug, Threaded, Magnetic
29	▲ DD2683900	1	Valve Assembly, 115V
	▼ DD2682900	1	Valve Assembly, 230V
	● DD2786900	1	Valve Assembly, 115V Multiport
	▶ DD2697900	1	Valve Assembly, 230V Multiport
30	▲▼●▶ 68963E	1	Adapter Assembly (includes items 30A, 30B & 30C)
30A	88073E	1	Adapter, Valve
30B	★ B1012564	2	Backup Ring, Split
30C	★ B1007503	2	O-Ring
31	▲▼●▶ 69242E	1	Gasket, Valve
32	▲▼●▶ 99921E	3	SHCS, 3/8-16 x 2"
33	▲▼●▶ 68999E	1	Relief Valve Assy (internal)
34	▲▼●▶ 68917E	1	Pipe Nipple, 1/8"
35	▲▼●▶ 68918E	1	Pipe Coupling
37	* DD2655037	2	Gasket, Cord
148	DD2722026	1	Decal, Product
<p>★ Items included in TQRK Pump Seal Kit.  * Items included in TQ700K Cover Plate Gasket Kit.  ▲ Items included in VE42TQC-115 Replacement Valve Assembly.  ▼ Items included in VE42TQC-230 Replacement Valve Assembly.  ● Items included in VE42TQMC-115 Replacement Valve Assembly.  ▶ Items included in VE42TQMC-230 Replacement Valve Assembly.  <b>Note:</b> Item 29 not sold seperately (included only in replacement valve assembly).</p>			

**Notes:**

- ① Apply Loctite 243 to threads before installation.
- ② Assemble item 19 to 16. Torque to 32 ft-lbs. minimum [43.4 Nm]
- ③ Orient as shown.
- ④ Finger tight.
- ⑤ Torque to 120 - 140 in-lbs. [13.5 - 15.8 Nm]
- ⑥ Apply Teflon tape to item 16 threads prior to assembling to item 19.

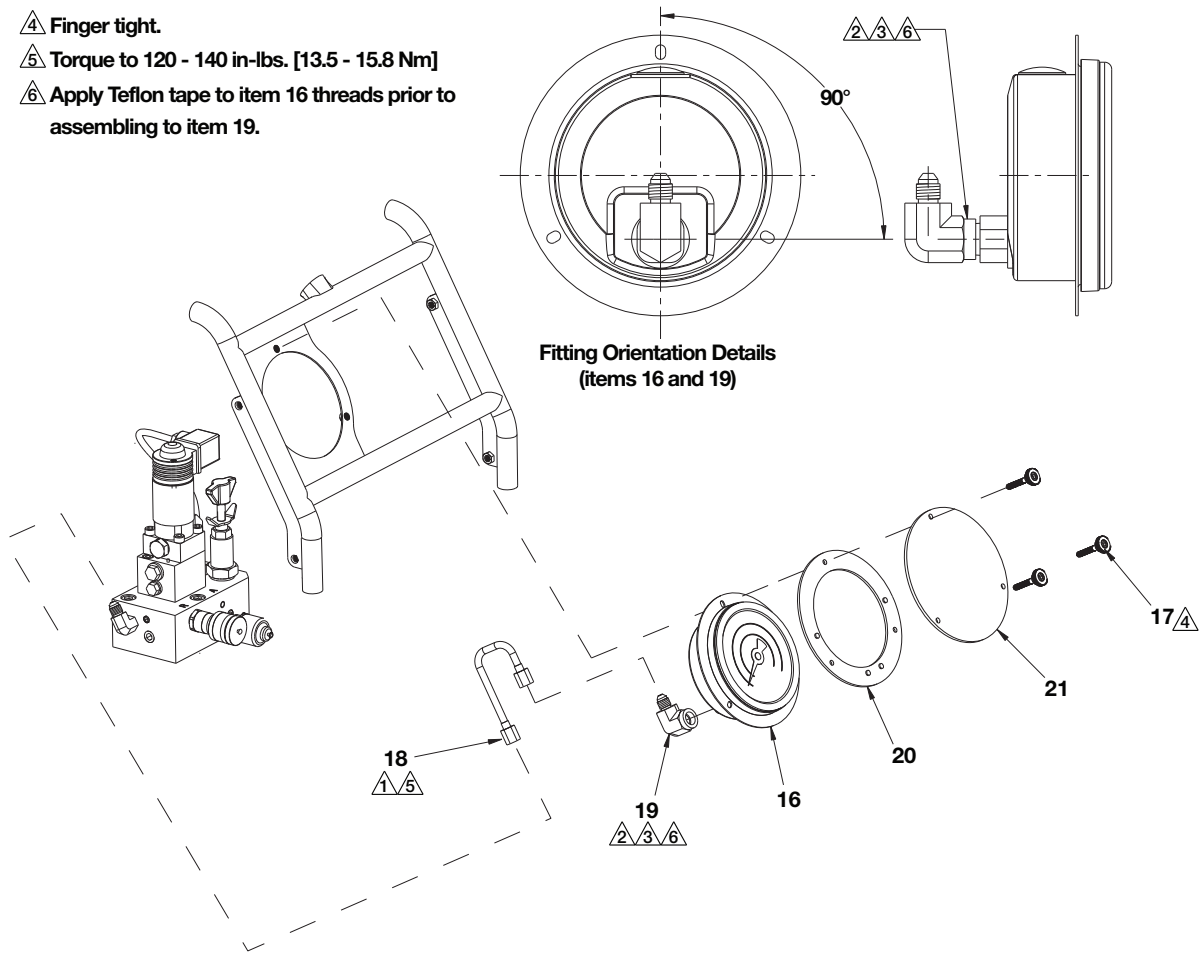


Figure 4, Pressure Gauge Assembly

**Repair Parts List (Refer to figure 4)**

Item	Part Number	Qty.	Description	Item	Part Number	Qty.	Description
16	DC3760900	1	Pressure Gauge	19	F100094-126	1	Elbow, 1/4" NPT
17	DD2659147	3	Knob, 10-32 Screw	20	DC2926004	1	Flange
18	DD2635268	1	Tube, Gauge	21	DD2627689	1	Guard, Gauge

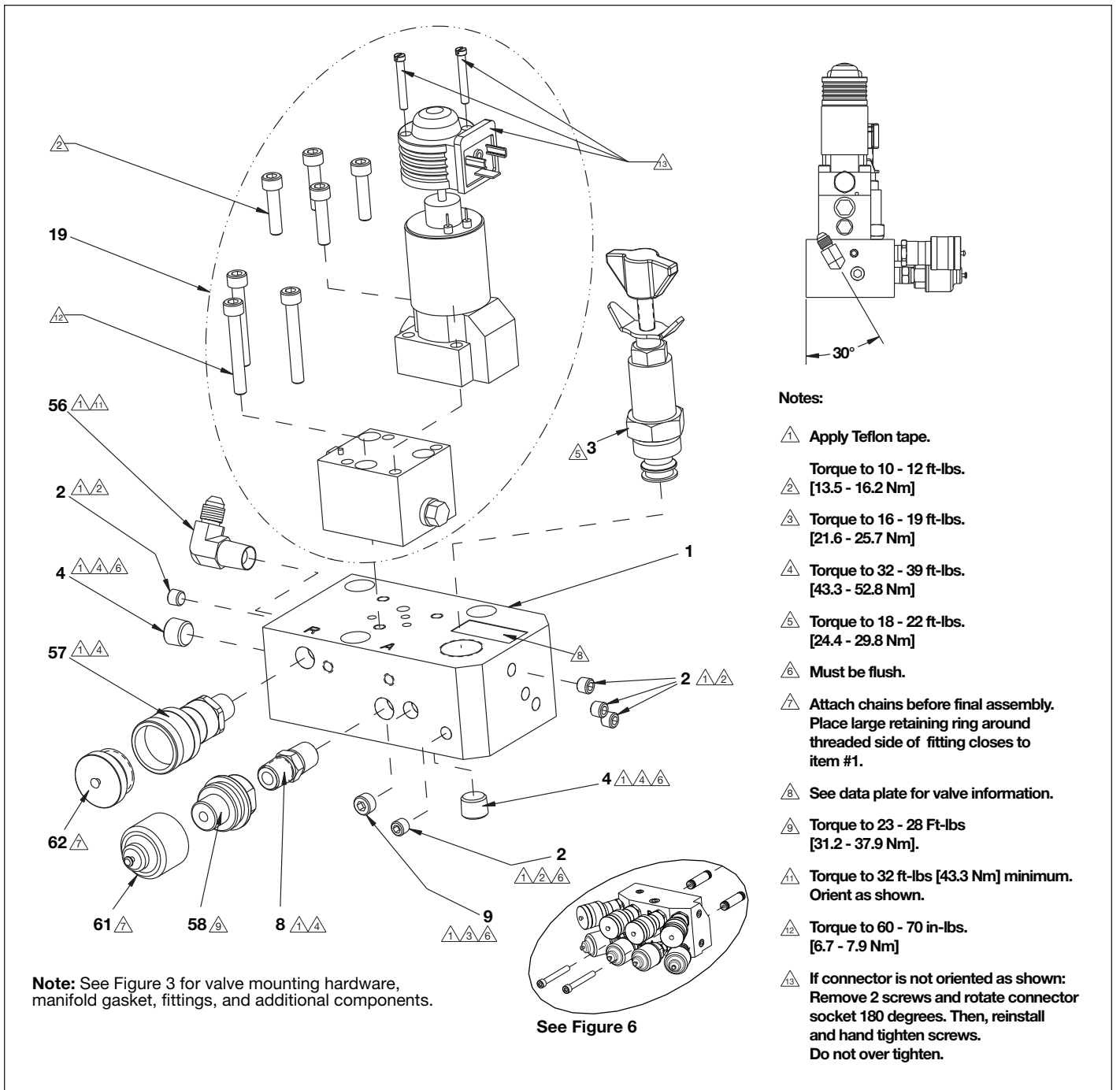


Figure 5, Control Valve Assembly

Repair Parts List (Refer to figure 5)

Item	Part Number	Qty.	Description	Item	Part Number	Qty.	Description
1	† 45422E	1	Manifold, Valve	19	45429E	1	Assy, Solenoid Valve 230V
2	† DC6792245	5	Plug, Flush PTF-SAE .062	56	† 45929E	1	Elbow, Male 1/4"
3	† 45423SR	1	Cartridge, User Adj. Relief	57	U962148134-2	1	Coupler, Female
4	† A1016245	1	Plug, 1/4" Flush	58	DC6188020	1	Coupler
8	4100067	1	Nipple, 1/4"	61	DC6187234	1	Cap, Dust
9	† DC6793245	1	Plug, Flush, PTF-SAE	62	DC6629020	1	Dust Cap, Metal
19	45424E	1	Assy, Solenoid Valve 115V				

† Items included in 45422SR Valve Manifold Repair Kit.



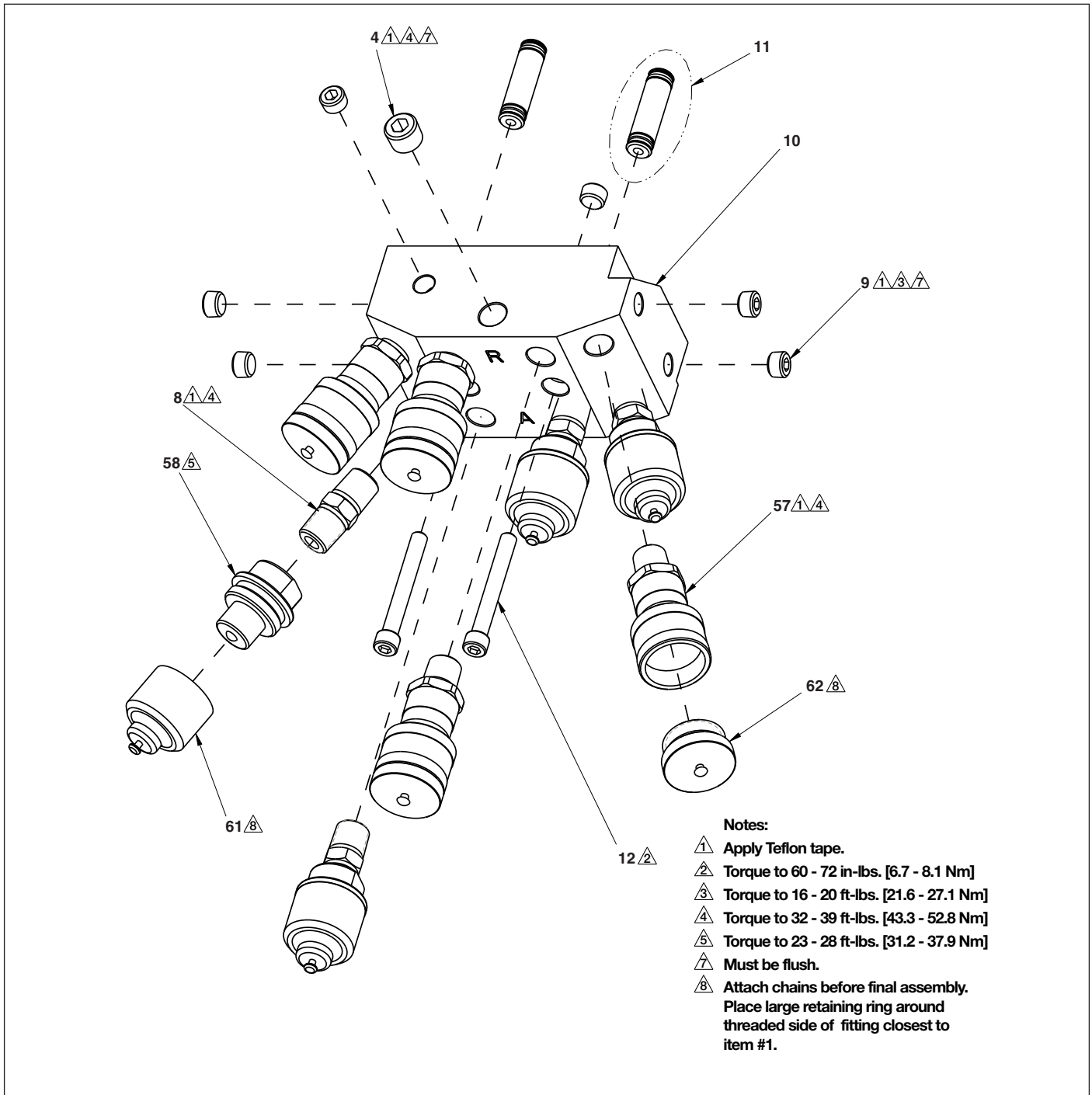
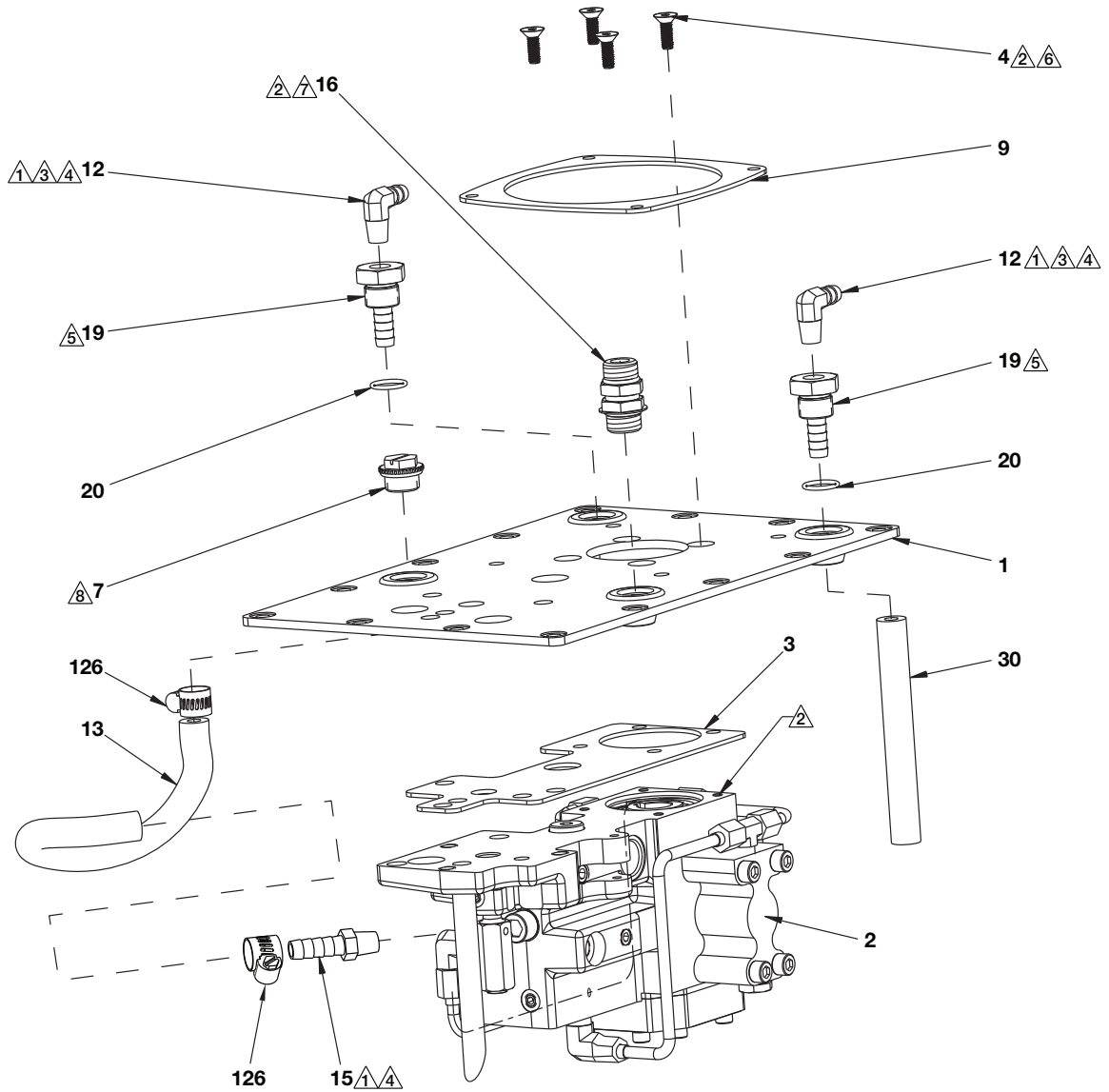


Figure 6, TQM Multi Port Manifold Assembly (optional)

Repair Parts List (Refer to figure 6)							
Item	Part Number	Qty.	Description	Item	Part Number	Qty.	Description
4	❖ A1016245	2	Plug, 1/4" Flush	12	❖ 81907E	2	SHCS, 1/4-20 x 2"
8	❖ 4100067	4	Nipple, 1/4"	57	❖ U962148134-2	4	Coupler, Female
9	❖ DC6793245	1	Plug, Flush, PTF-SAE	58	❖ DC6188020	4	Coupler
10	❖ 45620E	1	Multiport Adapter	61	❖ DC6187234	4	Cap, Dust
11	❖ 45622E	2	Adapter, Valve	62	❖ DC6629020	4	Dust Cap, Metal

❖ Items included in TQM Multiport Kit.





**Notes:**

- ① Apply Loctite 545 to threads before installation.
- ② Apply Loctite 243 to threads before installation.
- ③ Orient fittings as shown.
- ④ Torque to 15 ft-lbs. [20.3 Nm] minimum.
- ⑤ Torque to 40 - 45 ft-lbs. [54.2 - 61.0 Nm]
- ⑥ Torque to 72 - 84 ft-lbs. [97.6 - 113.8 Nm]
- ⑦ Torque to 15 - 18 ft-lbs. [20.3 - 24.4 Nm]
- ⑧ Torque to 5 - 7 in-lbs. [0.56 - 0.79 Nm]

Figure 7, Cover Plate and Pump Element Assembly

**Repair Parts List (Refer to figure 7)**

Item	Part Number	Qty.	Description	Item	Part Number	Qty.	Description
1	DD2628101	1	Cover Plate	13	DD2645646	1	Hose, Rubber, 16"
2	DD2693900SR	1	Pump Assembly (See Fig. 8)	15	CBE615028-1E	3	BHCS, M6 x 10mm Lo
3	* 46032E	1	Pump Gasket	16	F100096-19	1	Union, SAE #8
4	46279E	4	FHCS, 1/4-28 x 0	19	DC9273097	2	Fitting, Bypass
7	DC9586271	1	Thread Protector	20	* B1908503	2	O-Ring
9	* DD2661037	1	Gasket, Motor	30	DC9418646	1	Hose, Bypass
12	DC3938096	2	Elbow	126	DC9639299	1	Hose Clamp, Steel

\* Items included in TQ700K Cover Plate Gasket Kit.

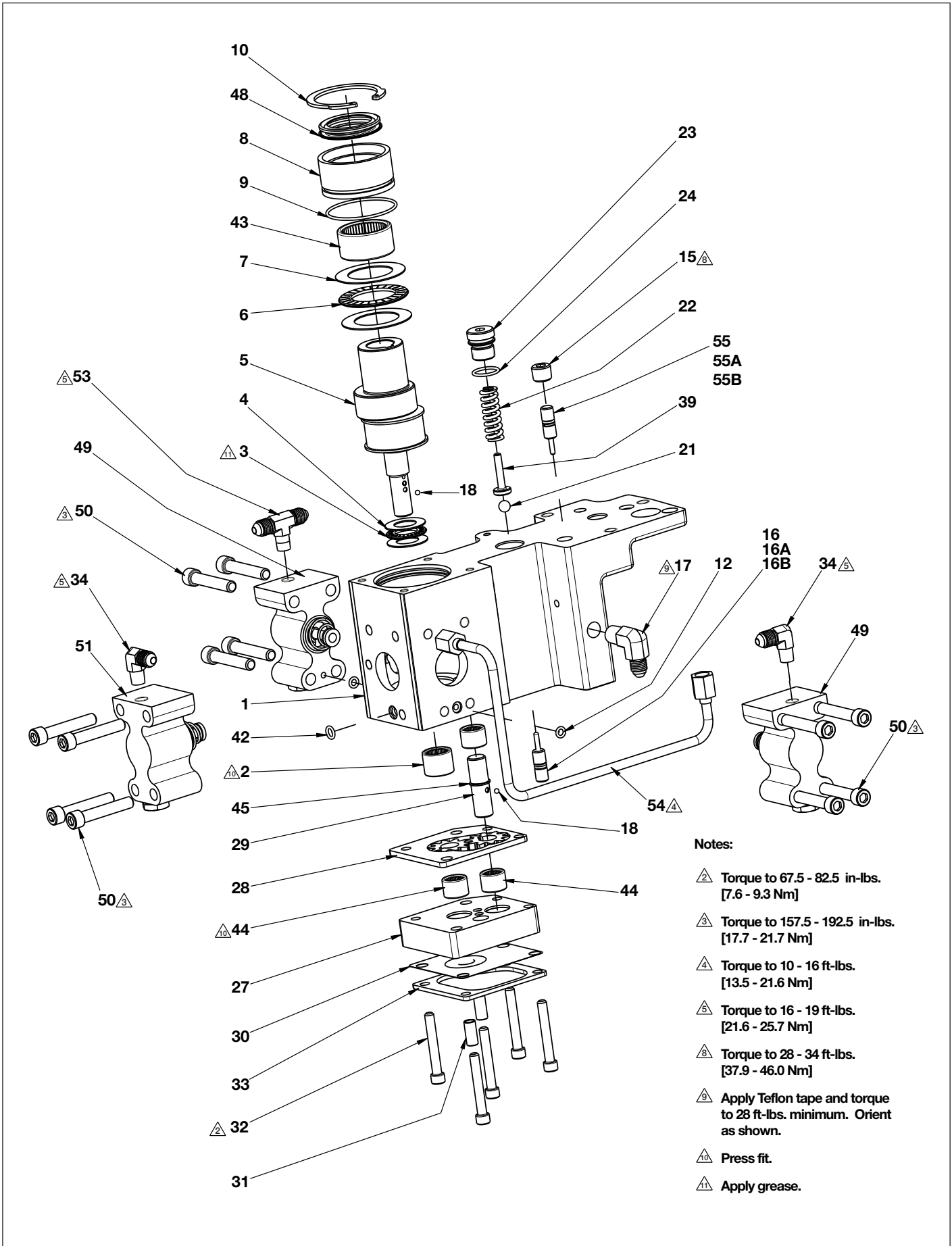
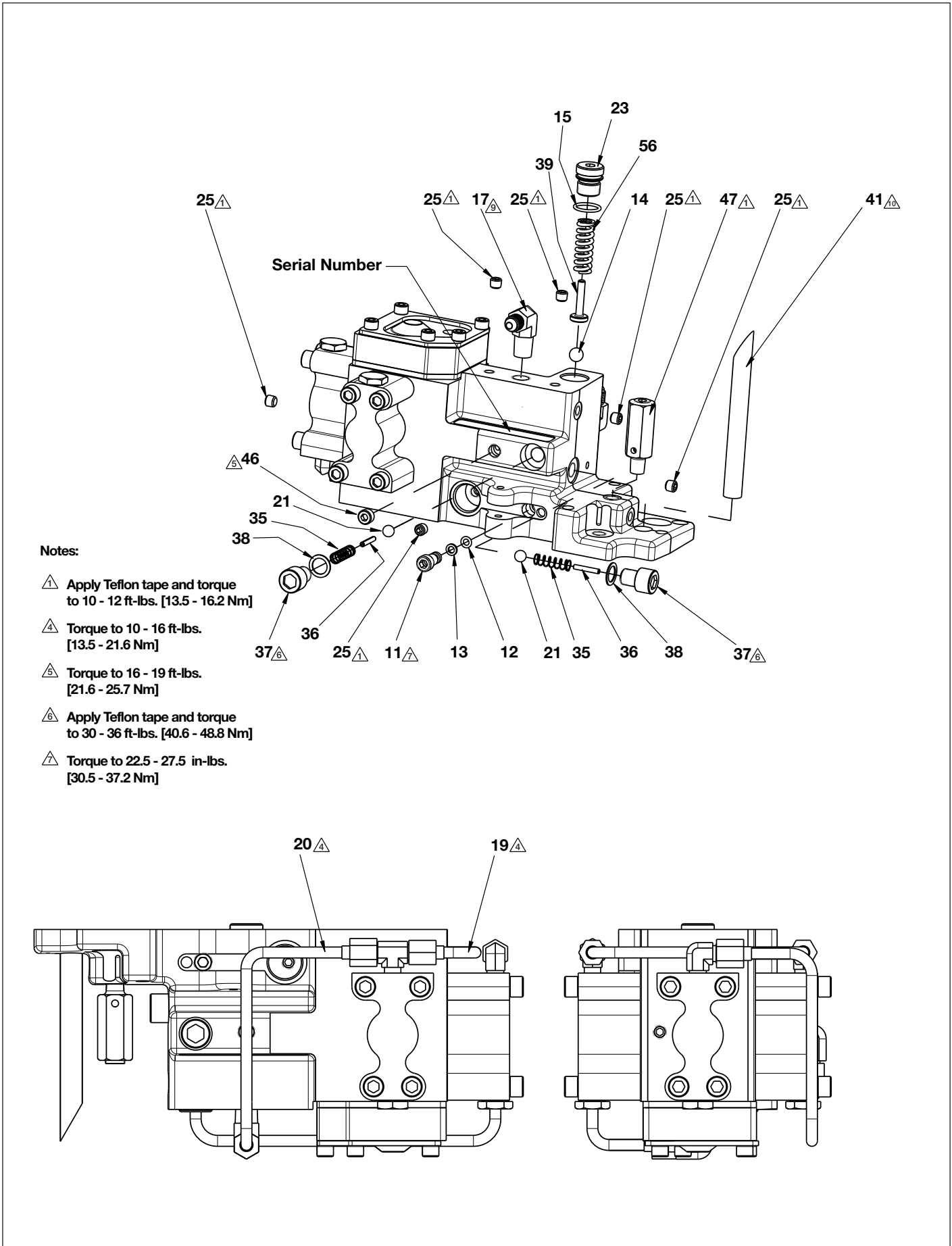


Figure 8A, Pump Element Assembly, DD2693900SR

**Repair Parts List (Refer to figures 8A and 8B)**

Item	Part Number	Qty.	Description	Item	Part Number	Qty.	Description
1	* 46410E	1	Pump Body	29	◆ 68850E	1	Shaft, Idler
2	❖ 68360E	1	Bearing, Roller	30	◆ 68921E	1	Screen
3	66033E	1	Bearing, Thrust	31	◆ 68894E	2	Tube, Guide .11
4	❖ 66474E	2	Thrust Washer	32	B1016028	5	Screw, Socket Head
5	❖ DD2657900	1	Shaft, Eccentric	33	◆ 68927E	1	Plate, Screen MT
6	❖ 66106E	1	Bearing, Thrust	34	69354E	2	Elbow, Male 1/8"
7	❖ 66108E	2	Thrust Washer	35	68225E	2	Spring
8	❖ 45908E	1	Sleeve, Eccentric Shaft	36	* B1055057	2	Spring Pin
9	★ B1237503	1	O-Ring, 70 Duro	37	* 45904E	2	Ball Stop
10	❖ 68978E	1	Ring, Retaining	38	★★ 86269E	2	Gasket, 29/64"
11	* 43283E	1	Plug, Dump	39	* 43673E	2	Spring Cap
12	★ B1003503	1	O-Ring	41	* 68569E	1	Tube, Return
13	★★ 56080087	1	Washer, Backup	42	★ B1005503	1	O-Ring
14	†* B1011016	1	Ball, 3/8" Diameter	43	❖ 66030E	1	Roller Bearing
15	* A1008245	1	Flush Plug, 1/4" Diameter	44	◆* 68891E	3	Roller Bearing
16	†❖ 43766E	1	Unloading Piston (includes items 16A and 16B)	45	◆ 68892E	1	Ring, Retaining
16A	★ B1004503	1	O-Ring	46	* A1007245	1	Flush Plug, 1/8" Diameter
16B	★ B1009564	1	Washer, Backup	47	66220SR	1	Cartridge, Relief Valve
17	45929E	2	Elbow, Male	48	★❖ 45930E	1	Shaft Seal
18	B1003016	2	Ball, 1/8" Diameter	49	DS1470900SR	2	Piston Block Assy, 3/16"
19	46548E	1	Tube, Piston Block	50	B1356028	12	Capscrew, Socket Head
20	† 45815E	1	Outlet Tube	51	45932SR	1	Piston Block Assy, 5/16"
21	†* B1009016	3	Ball, 5/16" Diameter	53	45426E	1	Tee, Male 1/8"
22	†* 43671E	1	Spring, Unloading	54	DD2696268	1	Tube, 3-Stage
23	†* 45903E	2	Screw, Adjusting	55	†❖ 46613E	1	Unloading Piston (includes items 55A and 55B)
24	★★ 56020162	2	O-Rings	55A	★ B1004503	1	O-Ring
25	* A1006245	6	Flush Plug, 1/16"	55B	★ B1009564	1	Washer, Backup
27	◆ 45900E	1	Plate, Bottom	56	DD4431110	1	Spring, Unloading
28	◆ 68848E	1	Gear Set, 3/16"				

- \* Items included in 46410SR Pump Body Repair Kit.
- ❖ Items included in DD2657900SR Eccentric Assembly Repair Kit.
- ★ Items included in TQRK Pump Seal Kit.
- ◆ Items included in 68848K Gear Pump Repair Kit
- † Items included in 46613K Bypass Repair Kit



**Repair Parts List (Refer to figures 8A and 8B)**

Item	Part Number	Qty.	Description	Item	Part Number	Qty.	Description
1	* 46410E	1	Pump Body	29	◆ 68850E	1	Shaft, Idler
2	❖ 68360E	1	Bearing, Roller	30	◆ 68921E	1	Screen
3	66033E	1	Bearing, Thrust	31	◆ 68894E	2	Tube, Guide .11
4	❖ 66474E	2	Thrust Washer	32	B1016028	5	Screw, Socket Head
5	❖ DD2657900	1	Shaft, Eccentric	33	◆ 68927E	1	Plate, Screen MT
6	❖ 66106E	1	Bearing, Thrust	34	69354E	2	Elbow, Male 1/8"
7	❖ 66108E	2	Thrust Washer	35	68225E	2	Spring
8	❖ 45908E	1	Sleeve, Eccentric Shaft	36	* B1055057	2	Spring Pin
9	★ B1237503	1	O-Ring, 70 Duro	37	* 45904E	2	Ball Stop
10	❖ 68978E	1	Ring, Retaining	38	★★ 86269E	2	Gasket, 29/64"
11	* 43283E	1	Plug, Dump	39	* 43673E	2	Spring Cap
12	★ B1003503	1	O-Ring	41	* 68569E	1	Tube, Return
13	★★ 56080087	1	Washer, Backup	42	★ B1005503	1	O-Ring
14	†* B1011016	1	Ball, 3/8" Diameter	43	❖ 66030E	1	Roller Bearing
15	* A1008245	1	Flush Plug, 1/4" Diameter	44	◆* 68891E	3	Roller Bearing
16	†❖ 43766E	1	Unloading Piston (includes items 16A and 16B)	45	◆ 68892E	1	Ring, Retaining
16A	★ B1004503	1	O-Ring	46	* A1007245	1	Flush Plug, 1/8" Diameter
16B	★ B1009564	1	Washer, Backup	47	66220SR	1	Cartridge, Relief Valve
17	45929E	2	Elbow, Male	48	★❖ 45930E	1	Shaft Seal
18	B1003016	2	Ball, 1/8" Diameter	49	DS1470900SR	2	Piston Block Assy, 3/16"
19	46548E	1	Tube, Piston Block	50	B1356028	12	Capscrew, Socket Head
20	† 45815E	1	Outlet Tube	51	45932SR	1	Piston Block Assy, 5/16"
21	†* B1009016	3	Ball, 5/16" Diameter	53	45426E	1	Tee, Male 1/8"
22	†* 43671E	1	Spring, Unloading	54	DD2696268	1	Tube, 3-Stage
23	†* 45903E	2	Screw, Adjusting	55	†❖ 46613E	1	Unloading Piston (includes items 55A and 55B)
24	★★ 56020162	2	O-Rings	55A	★ B1004503	1	O-Ring
25	* A1006245	6	Flush Plug, 1/16"	55B	★ B1009564	1	Washer, Backup
27	◆ 45900E	1	Plate, Bottom	56	DD4431110	1	Spring, Unloading
28	◆ 68848E	1	Gear Set, 3/16"				

- \* Items included in 46410SR Pump Body Repair Kit.
- ❖ Items included in DD2657900SR Eccentric Assembly Repair Kit.
- ★ Items included in TQRK Pump Seal Kit.
- ◆ Items included in 68848K Gear Pump Repair Kit
- † Items included in 46613K Bypass Repair Kit

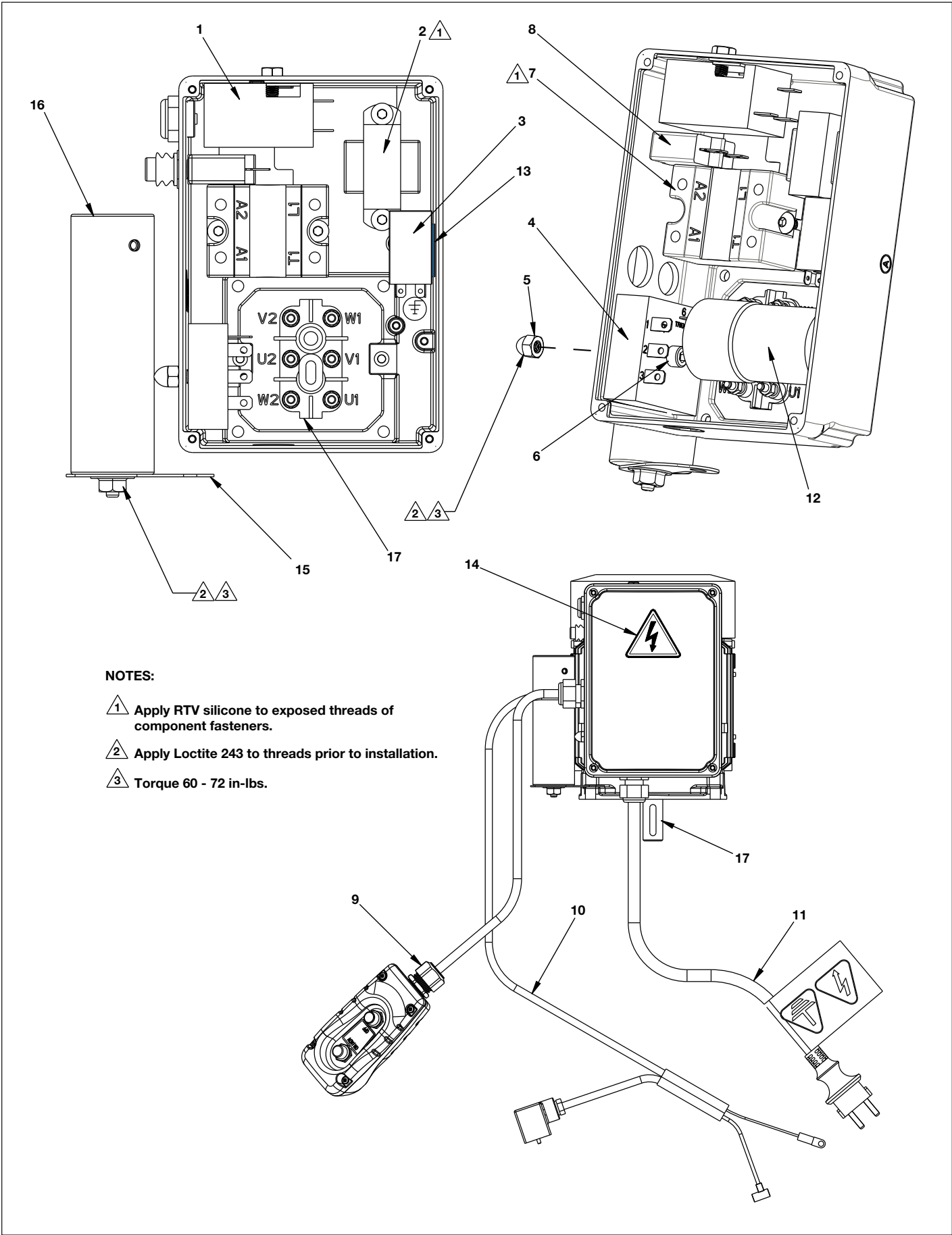


Figure 9, Electrical Box and Motor Assembly, 230V 50/60Hz

**Repair Parts List (Refer to figure 9)**

Item	Part Number	Qty.	Description	Item	Part Number	Qty.	Description
1	◆* DD2678380	1	Relay, Current Operated	10	◆* DD2623960	1	Wire Harness Sol and Fan
2	◆* DD2624480	1	Transformer	11	◆ DD2621960	1	Power Cord, 230V 50Hz
3	◆* DD2681380	1	Relay		* DD2620960	1	Power Cord, 230V 60Hz
4	◆* DC8281784	1	Timer, SSAC, 15 Seconds	12	◆* DD2676380	1	Capacitor, starting
5	◆* CAE1060055-1A	1	Nut	13	◆* - - - -	1	Velcro (for relay)
6	◆* CBE623028-1A	1	SHCS, M6 x 25, Zinc	14	◆* DC9922026	1	Decal, High Voltage
7	◆* DD2211980	1	SSR, AC Fired, 24VAC	15	◆* DD2634111	1	Bracket, Capacitor Mount
8	◆ DD2721380	1	Circuit Breaker, 7A (50 Hz)	16	◆* DD2674380	1	Running Capacitor, 230V
	* DD2788380	1	Circuit Breaker, 8A (60 Hz)	17	◆* DD2636259	1	Motor, 1 HP
9	◆* (See Fig. 10)	1	Pendant and Cable Assy.				

◆ Items included with DD2665900SR Motor and Electrical Assembly Kit (230V 50Hz).

\* Items included with DD2667900SR Motor and Electrical Assembly Kit (230V 60Hz).



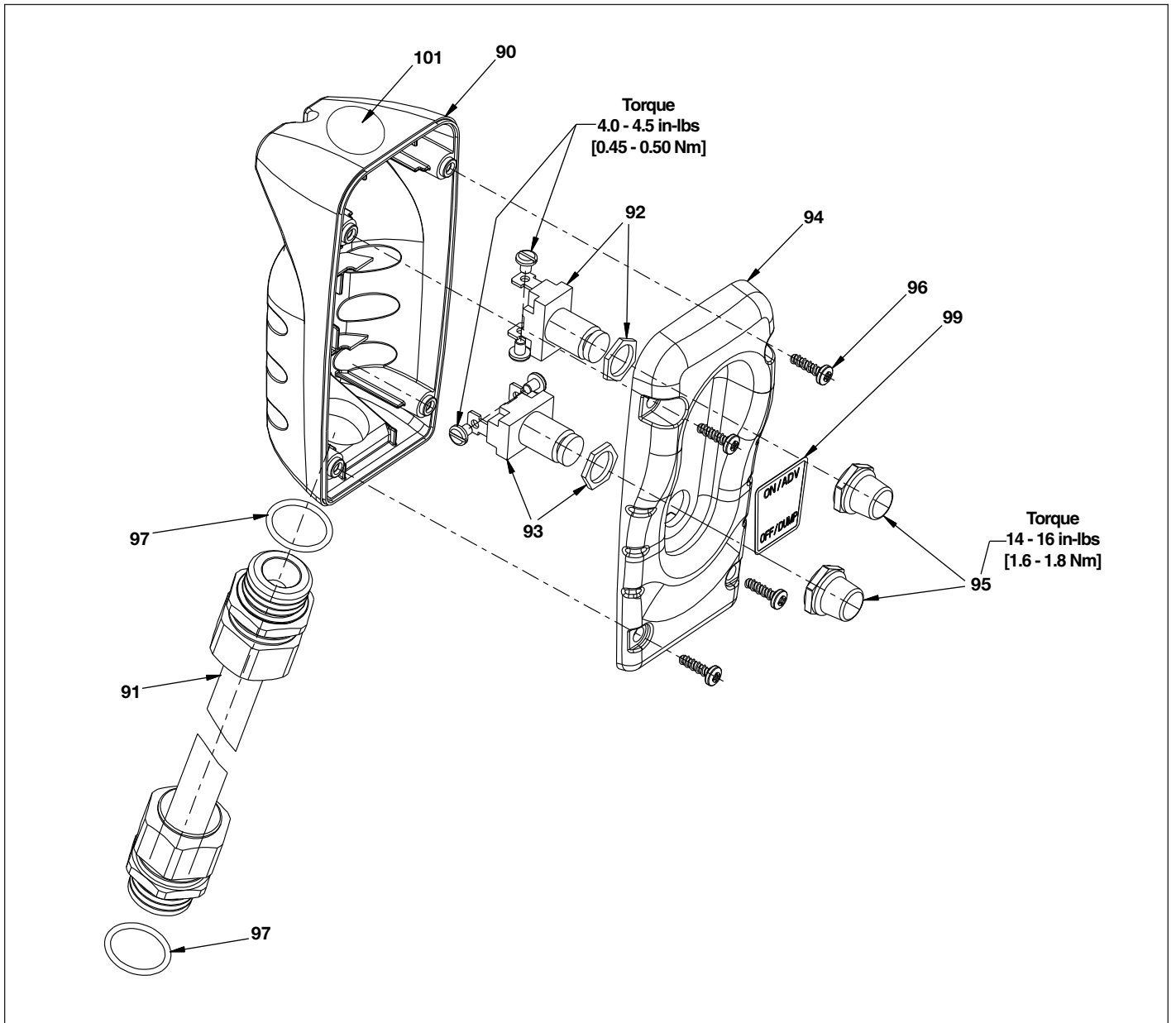


Figure 10, Pendant Assembly, 2-Button

Repair Parts List for Figure 10

Item	Part Number	Qty.	Description	Item	Part Number	Qty.	Description
90	◆ DC9425424	1	Enclosure, Lower	95	◆ DC8284379	2	Switch Cover
91	◆ DD1276960	1	Pendant Wire, BTW	96	◆ DC9428008	4	Screw, Hi-Low #8 x 1/2
92	◆ DC8282379	1	Pendant Button, NO	97	◆ B1223503	2	O-Ring
93	◆ DC8283379	1	Pendant Button, NC	99	◆ DC8127026	1	Decal, Pendant
94	◆ DC8122424	1	Enclosure, Upper	101	◆ DD1394026	1	Decal, Pressure Relief

◆ Items included in Pendant Kit DD1275900SR









199 Gateway Court  
Columbus, WI 53925 USA