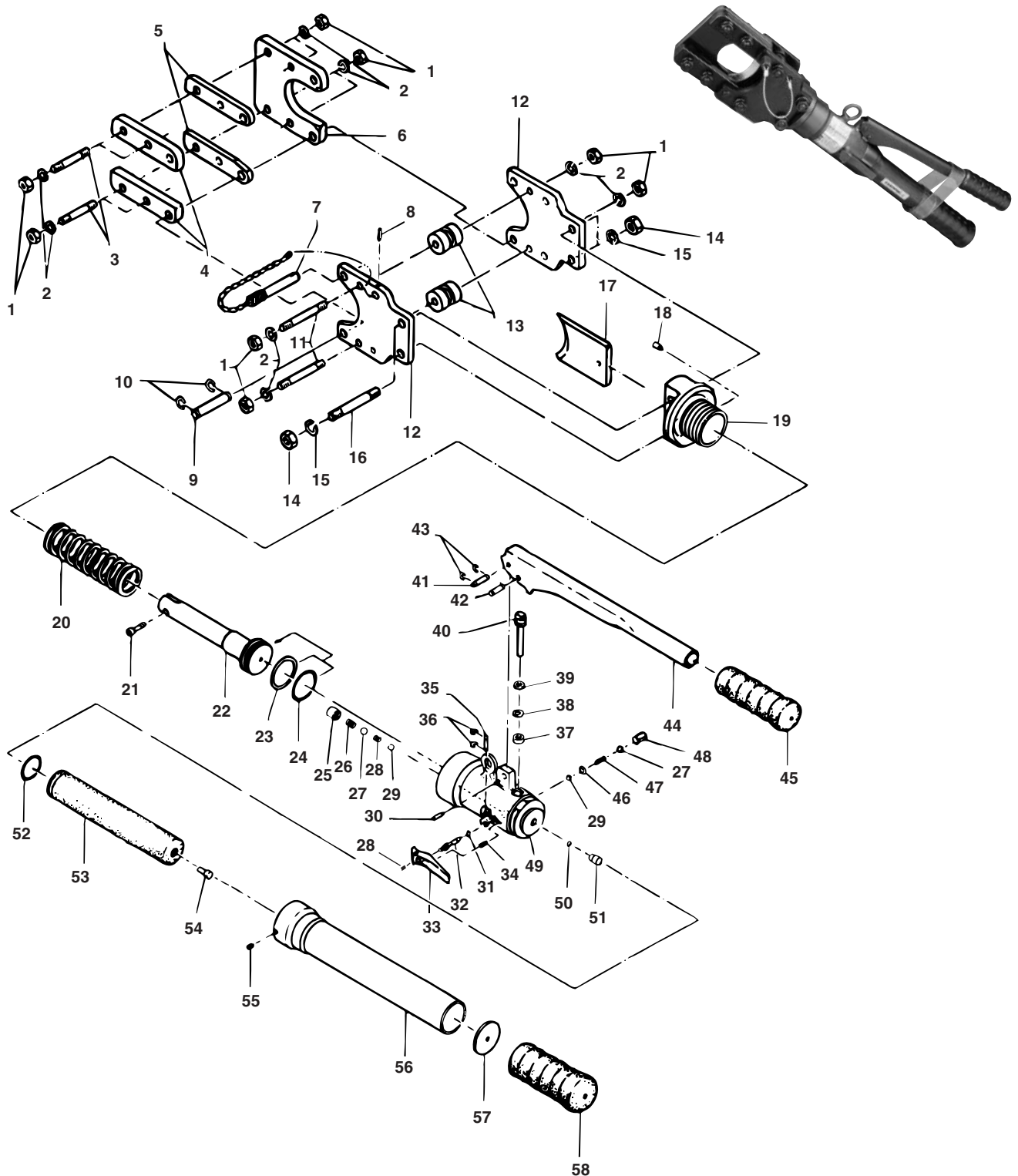


To Protect Your Warranty, Use Only ENERPAC Hydraulic Oil.

Enerpac recommends that all kit components be installed to insure optimum performance of the repaired product.



Repair Parts List

Item	Part Number	Qty.	Description	Item	Part Number	Qty.	Description
1	WM1584031	12	M10 Hex. Nut	30	WM1584204	2	Dowel Pin
2	WM1584032	12	M10 Lock Washer	31	★ WM581636	1	O-ring
3	WM2005501	4	Stud Bolt	32	WM2005620	1	Release Valve Stem
4	WM2005502	2	Head Shear Plate	33	WM2005619	1	Release Lever
5	WM2005503	2	Spacer	34	★ WM581637	1	Release Valve Spring
6	WM2005504	1	Head Shear	35	WM581627	1	Pin
7	WM2005701	1	Lock Pin Assembly	36	★ WM581628		Snap Ring
8	WM2005702	1	Pin Drive	37	★ WM581644	1	Pent Seal
9	WM2005508	1	Pin	38	★ WM3388533		Ring, Back-up
10	★ WM2005509	2	Snap Ring	39	★ WM1584205		Dust Seal
11	WM2005510	2	Stud Bolt	40	WM2005618	1	Piston
12	WM2005703	2	Support Plate	41	WM1584048	1	Pin
13	WM2005513	2	Roller	42	WM2005615	1	Pin
14	WM2005514	4	M12 Hex. Nut	43	★ WM1584049	4	Snap Ring
15	WM1584009	4	M12 Lock Washer	44	WM2005616	1	Handle, Pump
16	WM2005515	2	Stud Bolt	45	WM1584051	1	Grip, Handle
17	WCB2000	1	Blade	46	★ WM581638	1	Flatwasher
18	WM2005611	1	Stopper Screw	47	★ WM581639	1	Release Valve Spring
19	WM2005612	1	Body Head	48	WM2005527	1	Screw M10 x 14
20	WM2005518	1	Ram Spring	49	WM2005621	1	Body
21	WM2005519	1	Blade Screw	50	★ WM2005622	1	Filter
22	WM2005704	1	Ram	51	WM2005623	1	Suction Valve
23	★ WM2005521	1	Back-up Ring	52	★ WM581655	1	O-ring
24	★ WM2005522	1	O-ring	53	WM1584053SR	1	Oil Reservoir
25	WM2005617	1	Exhaust Valve Screw	54	WM1584155	1	Reservoir Cap
26	★ WM3388539	1	Exhaust Valve Spring	55	★ WM2005624	1	M4x5 Screw
27	★ B1008016	2	9/32" Ball	56	WM2005625	1	Body Handle
28	★ WM3388540	1	Suction Valve Spring	57	WM1584056	1	Grip, Base
29	★ B1005016	1	3/16" Ball	58	WM1584057	1	Body Handle Grip
	★ WM581633	1	Snap Ring				

★ Items are included in and available only in Repair Kit WMC-200K.

Australia
ENERPAC, Applied Power Australia Ltd.
Block V Unit 3,
Regents Park Estate,
391 Park Road
Regents Park NSW 2143
(P.O. Box 261) Australia
Tel: +61 297 438 988
Fax: +61 297 438 648

China
Shanghai Blackhawk
Machinery Co Ltd
15H Jinxuan Building
238 Nandan Road (E)
Shanghai, 200030, China
Tel: +86 21 6469 8732
Fax: +86 21 6469 8721

France, Greece, Turkey, Middle East, Africa
ENERPAC S.A.
B.P. 200, Parc d'Activités
du Moulin de Massy
F-91882 Massy CEDEX (Paris) France
Tel: +33 01 601 368 68
Fax: +33 01 692 037 50

Germany, Denmark, Scandinavia, Austria, Switzerland, Eastern Europe, CIS
ENERPAC
Applied Power GmbH
P.O. Box 300113
D-40401 Düsseldorf, Germany
Tel: +49 211 471 490
Fax: +49 211 471 49 28/40

Holland, Belgium, Luxembourg,
ENERPAC B.V.
Storkstraat 25
P.O. Box 269
3900 AG Veendam, Holland
Tel: +31 318 535 911
Fax: +31 318 535 848
+31 318 526 645

Hong Kong
ENERPAC
Room 907 Workingberg
Commercial Building
41-47 Marble Road,
North Point
Tel: +852-2561 6295
Fax: +852-2561 6772

India
ENERPAC
Hydraulic (India) Pvt Ltd
Plot No. A-571
MIDC, TTC Industrial Area
Mahape-400 701,
Navi Mumbai, India
Tel: +91 22 769 47 78
Fax: +91 22 769 84 73

Italy
ENERPAC Applied Power Italiana S.p.A.
Via Canova 4,
20094 Corsico (Milano)
Tel: +39 2 486 111 00
Fax: +39 2 486 012 88

Japan
Applied Power Japan Ltd.
10-17 Sasame Kita-Machi
Toda-Shi, Saitama #335, Japan
Tel: +81 048 421 2311
Fax: +81 048 421 8949

Mexico
ENERPAC Applied Power Mexico S.A. de C.V.
Avenida Principal,
La Paz #100
Fracc. Industrial La Paz
42084 Pachuca, Hidalgo
Tel: +52 771 337 00
Fax: +52 771 838 00

Singapore
Applied Power Asia Pte Ltd
No. 8, Ang Mo Kio Industrial Park 2
#01-00, Singapore 563500
Tel: (65) 484-5108
Fax: (65) 484-5669

South Korea
ENERPAC
Applied Power Korea Ltd.
163-12 Dodang-Dong, Choong-Ku,
Buchun-shi, Kyunggi-Do
Republic of Korea
Tel: +82 32 675 08 36
Fax: +82 32 675 30 02

Spain, Portugal
ENERPAC Applied Power International S.A.
A. Valgrande 14
Nave 12
28108 Alcobendas (Madrid), Spain
Tel: +34 91 661 11 25
Fax: +34 91 661 47 89

United Kingdom, Ireland
ENERPAC Limited
Unit 3 Colemeadow Road
North Moons Moat, Redditch
Worcester B98 9PB
United Kingdom
Tel: +44 01527 598 900
Fax: +44 01527 585 500

USA, Canada, Latin America and Caribbean
ENERPAC
6101 N. Baker Road
Milwaukee, WI 53209 USA
Tel: +1 414 781 66 00
Fax: +1 414 781 10 49

USA
User inquiries:
+1 800 433 2766
Distributor inquiries/orders:
+1 800 558 0530

Canada
User inquiries:
+1 800 426 4129
Distributor inquiries/orders:
+1 800 426 2284

Internet
www.enerpac.com

e-mail
info@enerpac.com

All Enerpac products are guaranteed against defects in workmanship and materials for as long as you own them.
For your nearest authorized Enerpac Service Center, visit us at www.enerpac.com

NS0100RA