

ENERPAC

A UNIT OF APPLIED POWER INC. 

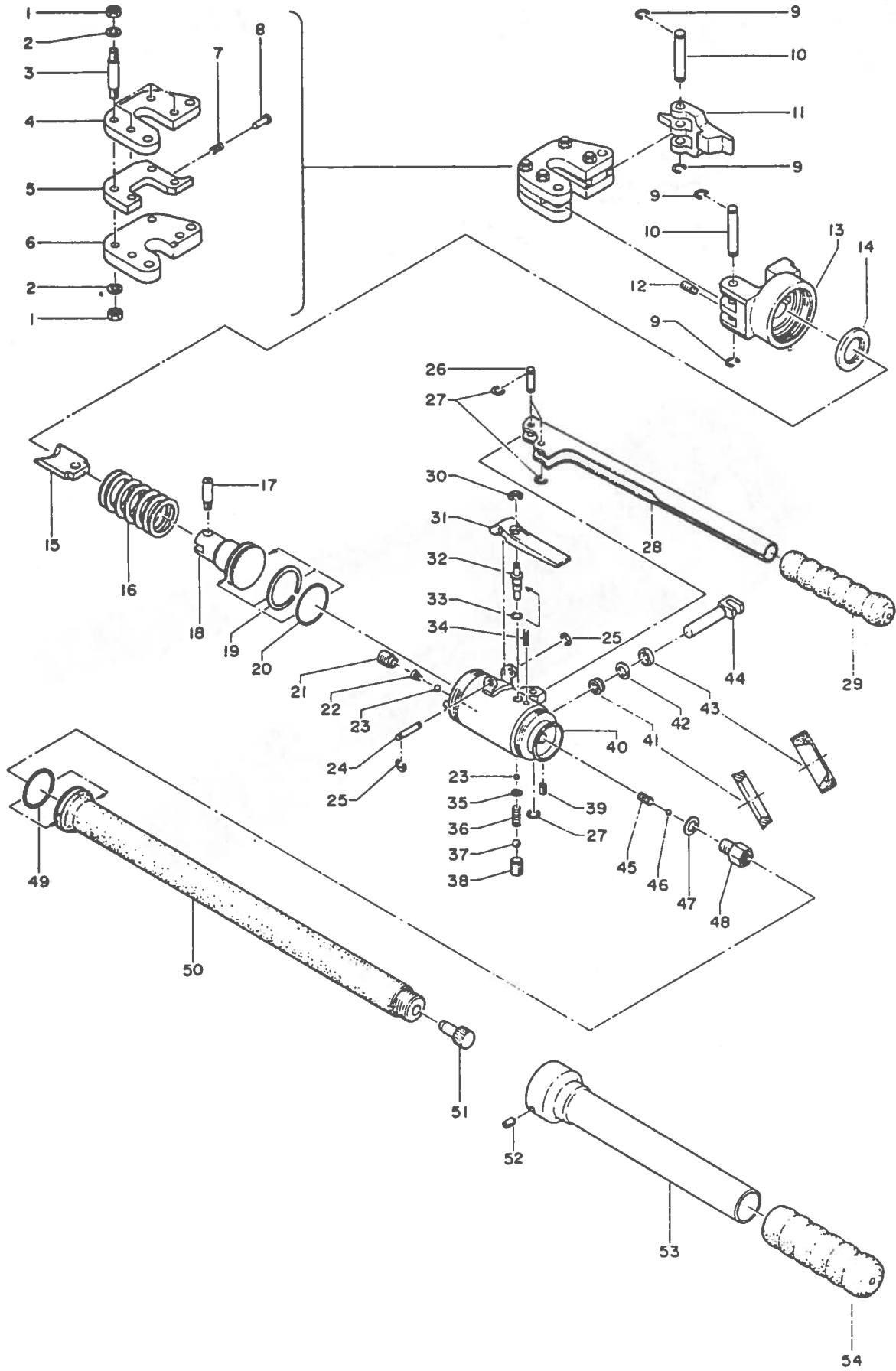
Repair Parts Sheet

WMC - 580

L-1148
REV. A
07/92
PC 5025



TO PROTECT YOUR WARRANTY, USE ONLY ENERPAC HYDRAULIC OIL



Parts List

Item No.	Part Number	Qty.	Description	Item No.	Part Number	Qty.	Description
1	WM581601	8	M6 Hex Nut	28	WM581631	1	Pump Handle
2	WM581602	8	M6 Lock Washer	29	WM581632	1	Pump Handle Grip
3	WM581603	4	Stud Bolt	30	◆WM581633	1	E-32 Snap Ring
4	WM752004	1	Main Head	31	WM581634	1	Release Lever
5	WM752070	1	Spacer	32	WM581635	1	Release Valve
6	WM581606	1	Head Shear	33	◆WM581636	1	P-3 O-Ring
7	◆WM3388537	1	Spring	34	◆WM581637	1	Release Lever Spring
8	◆WM752071	1	Slide Pin	35	WM581638	1	M3 Flat Washer
9	◆WM581609	4	CE-Snap Ring	36	◆WM581639	1	Ball Spring
10	WM581610	2	Pin	37	◆B1008016	1	9/32" Ball
11	WM581611	1	Latch	38	WM581641	1	Release Valve Screw
12	WM3005611	1	Stopper Screw	39	WM581642	1	M4 x 0.7 x 6 Screw
13	WM582001	1	Body Head	40	WM582002	1	Body
14	WM751601	1	Stop Collar	41	◆WM581644	1	PS-8 Pent Seal
15	WCB750	1	Blade	42	◆WM3388533	1	P-8 Back-Up Ring
16	WM581617	1	Ram Spring	43	◆WM1584205	1	Dust Seal
17	WM581619	1	Blade Screw	44	WM581647	1	Pump Piston
18	WM581621	1	Ram	45	◆WM581648	1	Suction Valve Spring
19	◆WM581622	1	P-29 Back-Up Ring	46	◆B1005016	1	3/16" Ball
20	◆WM581623	1	P-29 O-Ring	47	◆WM581650	1	Copper Gasket
21	◆WM581624	1	Exhaust Valve Screw	48	◆WM581651	1	Suction Valve Assembly
22	◆WM581625	1	Exhaust Valve Spring	49	◆WM581655	1	P-26 O-Ring
23	◆B1006016	2	7/32" Ball	50	WM582003	1	Oil Reservoir
24	◆WM581627	1	Pin	51	WM1584155	1	Reservoir Cap
25	◆WM581628	2	E-25 Snap Ring	52	WM581662	1	M4 x 0.7 x 4 Screw
26	WM581629	2	Pin	53	WM581663	1	Body Handle
27	◆WM581630	4	CE-6 Snap Ring	54	WM581664	1	Body Handle Grip

◆ Indicates Items Included in, and Available ONLY as Part of Repair Kit WMC5875K1.

CAUTION

To avoid possible injury when disassembling Body Head (item 13), the Blade (item 15) must remain assembled to the Ram (item 18) with the Screw (item 17) to prevent Spring (item 16) from dislodging the Blade (item 15).

Australia

Enerpac
29-31 O'Riordan Street
Alexandria, N.S.W. 2015
Tel: (61) (2) 698-9955
Fax: (61) (2) 698-9664

Canada

Enerpac
13000 West Silver Spring
Drive
Butler, Wisconsin 53007
(800) 426-4129 User
(800) 426-2284 Distributor

Eastern Europe and Other European Countries, Middle East and Africa

Enerpac
47, avenue Blanc
P.O. Box 67 1211
Geneva 21, Switzerland
Tel: (41) 731 94 05
Telex: 41 2843
Fax: (41) 731 12 15

Far East

Enerpac
47 Jalan Pemimpin,
#01-02 & 01-03
Sin Cheong Building
Singapore 2057
Thomson Road P.O. Box 114
Singapore 9157
Tel: (65) 2581677
Telex: RS24882 APOWR
Fax: (65) 2582847

France
Enerpac
B.P. 200
Parc d'Activités du Moulin
de Massy
91882 Massy Cedex
Tel: (331) 69 20 70 70
Telex: 60 09 51
Fax: (331) 69 20 37 50

Germany
Enerpac
Mündelheimer Weg 51
P.O. Box 300 113
D-4000 Düsseldorf 30
Tel: (49) (221) 41707-0
Telex: 8582790
Fax: (49) (211) 4170740

Japan
Enerpac
10-17 Sasame
Kita-cho, Toda-Shi
Saitama 335,
Japan
Tel: 0484-22-2251
(Administration Dept.)
0484-21-2311 (Sales Dept)
Telex: 26275
Fax: 0484-22-0596

Latin America and Caribbean
Enerpac
13000 West Silver Spring
Drive
Butler, Wisconsin 53007
Tel: (800) 558-0530
Fax: (414) 781-1049

Italy

Enerpac
Via Canova, 4
20094 Corsico
Milano, Italy
Tel: 02/458 2741
Telex: 352337
Fax: 39-2-48601288

Japan

Enerpac
10-17 Sasame
Kita-cho, Toda-Shi
Saitama 335,
Japan
Tel: 0484-22-2251
(Administration Dept.)
0484-21-2311 (Sales Dept)
Telex: 26275
Fax: 0484-22-0596

Latin America and Caribbean

Enerpac
13000 West Silver Spring
Drive
Butler, Wisconsin 53007
Tel: (800) 558-0530
Fax: (414) 781-1049

Mexico

Enerpac
Blvd. Gral. Felipe Angeles
1604
P.O. Box 362
42080 Pachuca. Hidalgo
Mexico
Tel: (52) (771) 3-37-00 or
(52) (771) 8-38-00
Telex: 17 55 15
Fax: (52) (771) 3-11-96 or
(52) (771) 3-52-32

Netherlands, Belgium, Luxemburg

Enerpac
Storkstraat 25/P.O. Box 269
NL-3900 AG Veenendaal
Tel: (31) (8385) 35911
Telex: 35381
Fax: (31) (8385) 25613/26645

South Korea

Enerpac
163-12, Dodang-Dong,
Choong-Ku,
Buchun-Shi, Kyunggi-Do
Republic of Korea
Tel: (82) (32) 6560836/7
Fax: (82) (32) 6563002

Spain

Enerpac
Calle de La Imprenta, 5
Poligono Industrial
28100 Alcobendas (Madrid)
Spain
Tel: (34) (91) 6523633
Telex: 22826
Fax: (34) (91) 6543927

United Kingdom

Enerpac
Leacon Road
Ashford, Kent
TN23 2TU
England
Tel: (44233) 639871
Telex: 96 64 50
Fax: (44233) 643923

United States

Enerpac
13000 West Silver Spring
Drive
Butler, Wisconsin 53007
Tel: (800) 558-0530
Fax: (414) 781-1049

REPAIR AND SERVICE INFORMATION: For repair service and parts, contact your nearest authorized ENERPAC Technical Service Center. The authorized ENERPAC Technical Service Center will provide complete and prompt service on all ENERPAC products. For the location of an ENERPAC Service Center, call **Toll Free 1-800-558-0530**. (In Canada call 1-800-426-2284)

WARRANTY INFORMATION: All warranty repairs must be performed by an authorized ENERPAC Technical Service Center. All ENERPAC tools are guaranteed from date of delivery to user against defects in workmanship and materials. Free repair or replacement will be made on all items not standing up to this guarantee. Following manufacturers trade custom, however, chains cannot be guaranteed. Warranty does not cover ordinary wear and tear, abuse or misuse, overloading, altered products or use of improper fluids. For prompt handling, send items requiring repairs prepaid, to your nearest authorized ENERPAC Technical Service Center.