

ENERPAC 
A UNIT OF APPLIED POWER INC.

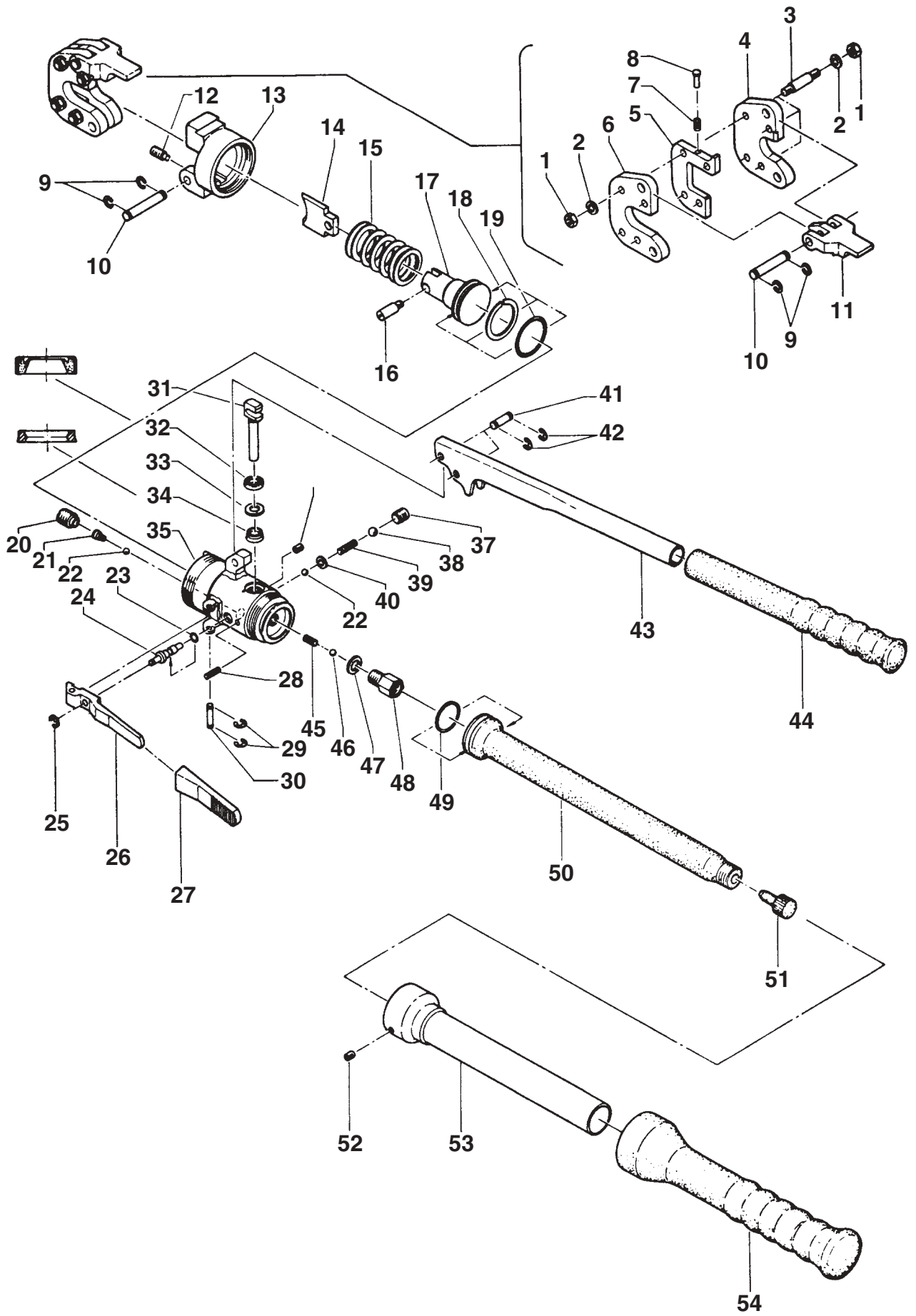
Repair Parts Sheet

WMC-750 Hydraulic Cutter

L1143
Rev. C
02/98
PC5025



TO PROTECT YOUR WARRANTY, USE ONLY ENERPAC HYDRAULIC OIL.



Parts List							
Item	Part Number	Qty.	Description	Item	Part Number	Qty.	Description
1	WM581601	8	Hex Nut	28	★ WM581637	1	Release Lever Spring
2	WM581602	8	Lock Washer				
3	WM581603	4	Stud Bolt	29	★ WM581628	2	Snap Ring
4	WM752002	1	Head Shear	30	WM581627	1	Pin
5	WM752070	1	Spacer	31	WM581647	1	Pump Piston
6	WM752004	1	Main Head	32	★ WM1584205	1	Dust Seal
7	★ WM3388537	1	Spring	33	★ WH3388533	1	Back-Up Ring
8	★ WM752071	1	Slide Pin	34	★ WM581644	1	Pent Seal
9	★ WM581609	4	Snap Ring	35	WM582002	1	Body
10	WM581610	2	Pin	36	WM581642	1	Screw
11	WM581611	1	Latch	37	WM581641	1	Release Valve Screw
12	WM585511	1	Stopper Screw	38	★ B1008016	1	9/32" Ball
13	WM582001	1	Body Head	39	★ WM581639	1	Release Valve Spring
14	WCB750	1	Blade	40	★ WM581638	1	Flat Washer
15	WM581617	1	Ram Spring	41	WM581629	2	Pin
16	WM581619	1	Blade Screw	42	★ WM581630	4	Snap Ring
17	WM581621	1	Ram	43	WM581631	1	Pump Handle
18	★ WM581622	1	Back-Up Ring	44	WM752010	1	Pump Handle Grip
19	★ WM581623	1	O-Ring	45	★ WM581648	1	Suction Valve Spring
20	WM581624	1	Exhaust Valve Screw	46	★ B1005016	1	3/16" Ball
21	★ WM581625	1	Exhaust Valve Spring	47	★ WM581650	1	Copper Gasket
22	★ B1006016	2	7/32" Ball	48	★ WM581651	1	Suction Valve Screw Assembly
23	★ WM581636	1	O-Ring				
24	WM581635	1	Release Valve Stem	49	★ WM581655	1	O-Ring
				50	WM582003	1	Oil Reservoir
25	★ WM581633	1	Snap Ring	51	WM1584155	1	Reservoir Cap
26	WM752008	1	Release Lever	52	WM581622	1	Screw
27	WM752009	1	Release Lever Insulation	53	WM58163	1	Body Handle
				54	WM752011	1	Body Handle Grip

★ Indicates items included in Repair Kit WMC5875K1.



To avoid possible injury when disassembling body head (13), the blade (14) must remain assembled to ram (17) with screw (16) to prevent the spring (15) from dislodging the blade.

Australia

ENERPAC

Applied Power Australia, Ltd.
P.O. Box 261 Regents Park
Sydney, N.S.W. 2143
Tel: (61) (2) 9743 8988
Fax: (61) (2) 9743 8648

CIS

Applied Power Moscow
Leninsky Prospekt 95A
117313 Moscow, Russia
Tel: (7)(95) 956 5090
Fax: (7)(95) 936 2006

**France, Switzerland,
Turkey, Greece, Africa,
Middle East**

ENERPAC S.A.
B.P.200, Parc d'Activitiés
du Moulin de Massy
1 rue du Saule Trapu,
F-91882 Massy CEDEX
(Paris) France
Tel: (33) 1 60 13 68 68
Fax: (33) 1 69 20 37 50

**Germany, Scandinavia,
Eastern Europe, Austria,**
Switzerland

ENERPAC
Applied Power GmbH
P.O. Box 30 01 13
Mündelheimer Weg 51
40472 Düsseldorf 30
Germany
Tel: (49) (211) 47 14 90
Fax: (49) (211) 4714 940

**Holland, Belgium,
and Luxemburg**

ENERPAC B.V.
P.O. Box 269, Storkstraat 25
3900AG Veenendaal
Holland
Tel: (31) (318) 535911
Fax: (31) (318) 525613

Hong Kong

ENERPAC

Applied Power Asia PTE LTD.
Room No. 907, Workingberg
Commercial Building
41-47 Marble Road,
North Point
Tel: (852) 2561-6285
Fax: (852) 2561-6772

India

ENERPAC

Hydraulics (India) Pvt Ltd.
203 Vardhaman Chambers
Plot #84, Sector 17
Vashi, New Bombay 400 705
Maharashtra, India
Tel: 91-22-7632061
Fax: 91-22-7670309

Italy

ENERPAC

Applied Power Italiana S.p.A.
Via Canova, 4
20094 Corsico (Milano)
Italy
Tel: 39 2 45 82 741
Fax: 39 2 48 60 12 88

Japan

Applied Power Japan LTD

10-17 Sasame Kita-cho
Toda-City
Saitama 335,
Japan
Tel: 81 048 422 2251
Telex: J26275
Fax: 81 048 422 0596

Mexico

ENERPAC

Applied Power Mexico
Av. Principal La Paz #100
Fracc. Industrial La Paz
42092 Pachuca, Hidalgo, Mexico
Tel: (52) 771 33700
Fax: (52) 771 83800

Singapore

Applied Power Asia PTE LTD.

47 Jalan Pemimpin #01-02 &
#01-03 Sin Cheong Building
Singapore 577200
Tel: (65) 258 1677
Fax: (65) 258 2847

South Korea

ENERPAC

Applied Power Korea Ltd.
163-12, Dodang-Dong
Wonmi-ku, Buchun-Shi,
Kyunggi-Do
Republic of Korea
Tel: (82) (32) 675 0836
Fax: (82) (32) 675 3002

Spain, Portugal

ENERPAC

Applied Power International, S.A.
Calle de la Imprenta, 7
Polígono Industrial
28100 Acobendas (Madrid)
Spain
Tel: (34) 1 661 11 25
Fax: (34) 1 661 47 89

United Kingdom, Ireland

ENERPAC Ltd. Unit 3

Colemeadow Road
North Moons Moat
Redditch, Worcester B98 9BP
England
Tel: 44 01527 598 900
Fax: 44 01527 585 500

**United States, Canada,
Latin America and
Caribbean**

ENERPAC

13000 West Silver Spring Drive
Butler, Wisconsin 53007, USA
Tel: (414) 781-6600
1-800-433-2766 (End User)
1-800-558-0530 (Distributor)
Fax: (414) 781-1049

Canada

Tel: 1-800-426-4129 (End User)
Tel: 1-800-426-2284 (Distributor)

Latin America and Caribbean

Tel: (414) 781-6600 ext. 263
Fax: (414) 781-5561



All Enerpac products are guaranteed against defects in workmanship and materials for as long as you own them. Under this guarantee, free repair or replacement will be made to your satisfaction.

For prompt service, contact your Authorized Enerpac Service Center or call toll free:

In U.S.A. 1-800-558-0530

In Canada 1-800-426-2284

PRINTED IN U.S.A.