

ZU4 Classic Torque Wrench Pump

L2906 Rev. C 12/10

Index:

English	1-7
Français	8-14
Deutsch	15-21
Italiano	22-28
Español	29-35
Nederlands	36-42
Portuguese	43-49
Finnish	50-56
Norwegian	57-62
Swedish	63-69
中文	70-75
日本語	76-82

Repair Parts Sheets for this product are available from the Enerpac web site at www.enerpac.com, or from your nearest Authorized Enerpac Service Center or Enerpac Sales office.

1.0 IMPORTANT RECEIVING INSTRUCTIONS

Visually inspect all components for shipping damage. Shipping damage is not covered by warranty. If shipping damage is found, notify carrier at once. The carrier is responsible for all repair and replacement costs resulting from damage in shipment.

SAFETY FIRST

2.0 SAFETY ISSUES



Read all instructions, warnings and cautions carefully. Follow all safety precautions to avoid personal injury or property damage during system operation. Enerpac cannot be responsible for damage or injury resulting from unsafe product use, lack of maintenance or incorrect product and/or system operation. Contact Enerpac when in doubt as to the safety precautions and operations. If you have never been trained on high-pressure hydraulic safety, consult your distribution or service center for a free Enerpac Hydraulic safety course.

Failure to comply with the following cautions and warnings could cause equipment damage and personal injury.

A **CAUTION** is used to indicate correct operating or maintenance procedures and practices to prevent damage to, or destruction of equipment or other property.

A **WARNING** indicates a potential danger that requires correct procedures or practices to avoid personal injury.

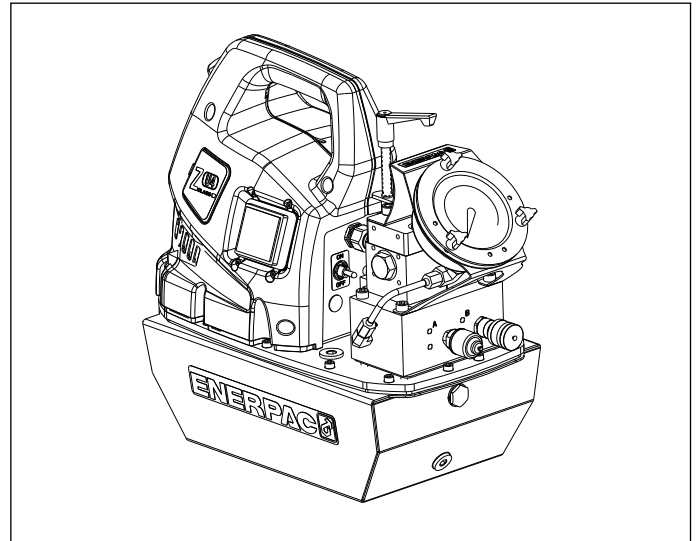
A **DANGER** is only used when your action or lack of action may cause serious injury or even death.



WARNING: Wear proper personal protective gear when operating hydraulic equipment.



WARNING: Stay clear of loads supported by hydraulics. A cylinder, when used as a load lifting device, should never be used as a load holding device. After the load has been raised or lowered, it must always be blocked mechanically.



WARNING: USE ONLY RIGID PIECES TO HOLD LOADS. Carefully select steel or wood blocks that are capable of supporting the load. Never use a hydraulic cylinder as a shim or spacer in any lifting or pressing application.



DANGER: To avoid personal injury keep hands and feet away from cylinder and workpiece during operation.



WARNING: The system operating pressure must not exceed the pressure rating of the lowest rated component in the system. Install pressure gauges in the system to monitor operating pressure. It is your window to what is happening in the system.



CAUTION: Avoid damaging hydraulic hose. Avoid sharp bends and kinks when routing hydraulic hoses. Using a bent or kinked hose will cause severe back-pressure. Sharp bends and kinks will internally damage the hose leading to premature hose failure.



Do not drop heavy objects on hose. A sharp impact may cause internal damage to hose wire strands. Applying pressure to a damaged hose may cause it to rupture.



IMPORTANT: Do not lift hydraulic equipment by the hoses or swivel couplers. Use the carrying handle or other means of safe transport.



CAUTION: Keep hydraulic equipment away from flames and heat. Excessive heat will soften packings and seals, resulting in fluid leaks. Heat also weakens hose materials and packings. For optimum performance do not expose equipment to temperatures of 65°C [150°F] or higher. Protect hoses and cylinders from weld spatter.



DANGER: Do not handle pressurized hoses. Escaping oil under pressure can penetrate the skin, causing serious injury. If oil is injected under the skin, see a doctor immediately.



WARNING: Only use hydraulic torque wrenches in a coupled system. Never use a torque wrench with unconnected couplers. If the torque wrench becomes extremely overloaded, components can fail catastrophically causing severe personal injury.



IMPORTANT: Hydraulic equipment must only be serviced by a qualified hydraulic technician. For repair service, contact the Authorized ENERPAC Service Center in your area. To protect your warranty, use only ENERPAC oil.



WARNING: Immediately replace worn or damaged parts with genuine ENERPAC parts. Standard grade parts will break causing personal injury and property damage. ENERPAC parts are designed to fit properly and withstand high loads.



WARNING: Do not use electric pumps in an explosive atmosphere. Adhere to all local and national electrical codes. A qualified electrician must do installation and modification.



WARNING: Keep hands clear of moving parts and pressurized hoses.



WARNING: These pumps have internal factory adjusted relief valves, which must not be repaired or adjusted except by an Authorized Enerpac Service Center.



WARNING: To prevent damage to pump electric motor, check specifications. Use of incorrect power source will damage the motor.

3.0 SPECIFICATIONS

3.1 Performance Chart (see bottom of page)

3.2 Flow Chart (see Figure 1):

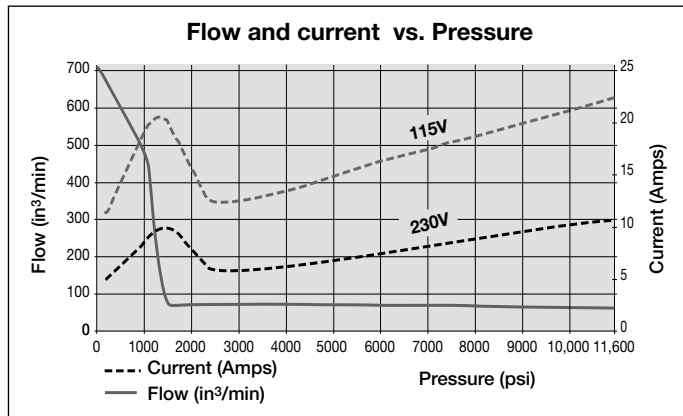


Figure 1, Flow Chart

4.0 INSTALLATION

Install or position the pump to ensure that air flow around the motor and pump is unobstructed. Keep the motor clean to ensure maximum cooling during operation.

4.1 Breather Cap and Oil Fill Plug (See Figures 2 & 3)

A shipping plug (A) is installed in the breather port on the top of the reservoir. Before using the pump, replace the shipping plug (A) with the breather cap (B) and adapter fitting (C). **Note:** The oil fill port is located on the opposite side of the pump. The oil fill port uses an SAE #10 plug (D).

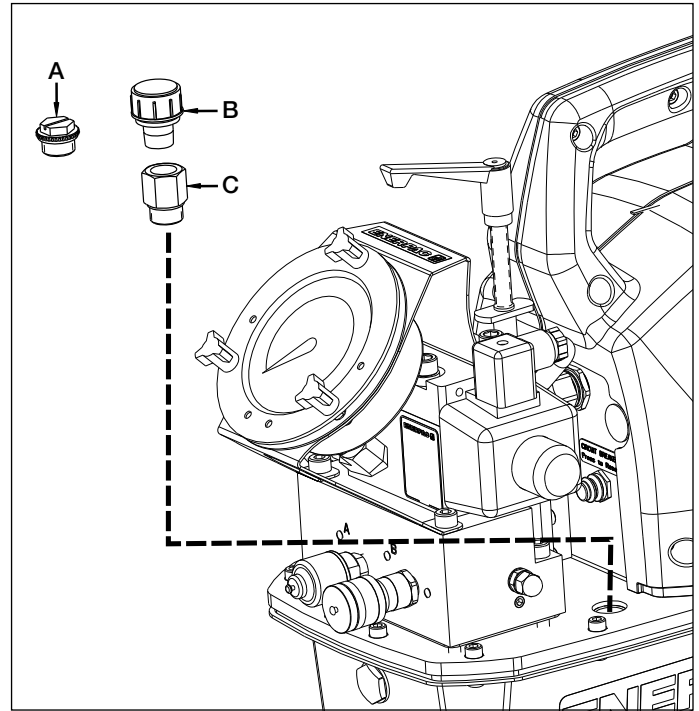


Figure 2, Breather Installation

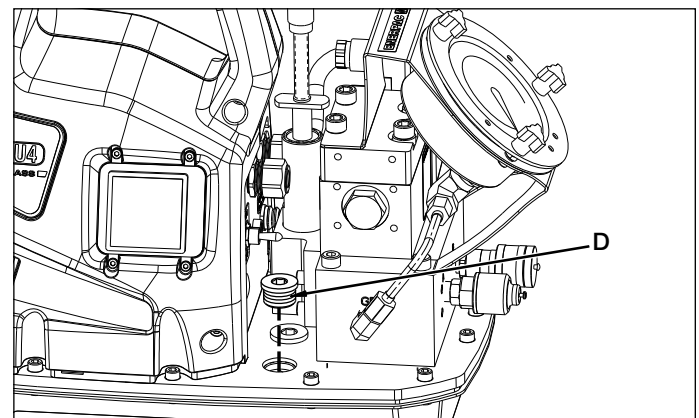


Figure 3, Oil Fill Plug

▼ ZU4 PERFORMANCE CHART

Motor Size (hp)	Output Flow Rate in ³ /min				Motor Electrical Specifications (Volts-Ph-Hz)	Sound Level (dBA)	Relief Valve Adjustment Range (psi)
	100 psi	700 psi	5,000 psi	10,000 psi			
1.7*	700	535	76	60	115-1-50/60 230-1-50/60	85-90	1,400-10,000 for "Q" version 1,400-11,600 for "E" version

*Actual power consumption depends on the application. See Figure 1.

4.2 Pump Mounting (See Figure 4)

Refer to Figure 4 for mounting dimensions to secure the pump to a fixed surface.

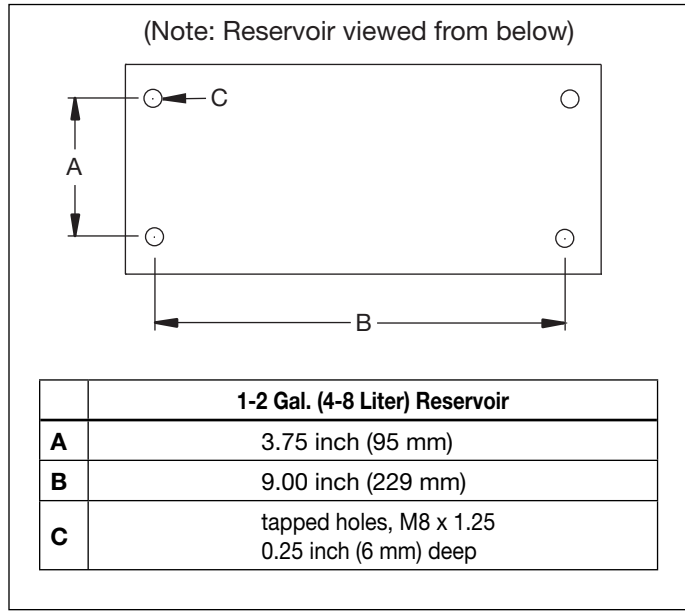


Figure 4, Mounting Dimensions

4.3 Electrical Connections

THE PUMP IS FACTORY EQUIPPED WITH THE COMMON ELECTRICAL PLUG FOR A GIVEN VOLTAGE. ALTERING THE PLUG TYPE SHOULD ONLY BE DONE BY A QUALIFIED ELECTRICIAN, ADHERING TO ALL APPLICABLE LOCAL AND NATIONAL CODES.

1. The disconnect and line circuit protection to be provided by customer. Line circuit protection to be 115% of motor full load current at maximum pressure of application (see Figure 1).
2. For more information, refer to pump name plate for power rating.

4.4 Oil Level

Check the pump oil level prior to start-up, if necessary add oil by removing the SAE #10 plug from the cover plate (see Figure 3). The reservoir is full when the oil level is as shown in Figure 5.

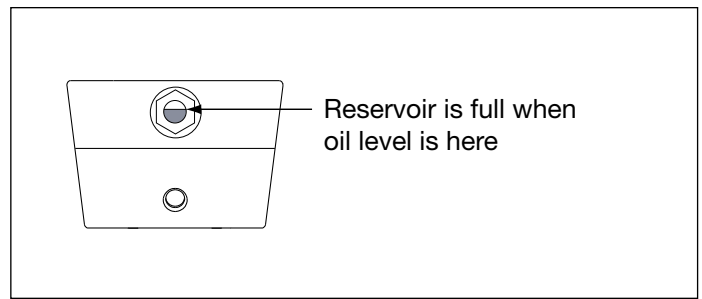


Figure 5, Sight Glass

IMPORTANT: Add oil only when all system components are fully retracted, or the system will contain more oil than the reservoir can hold.

4.5 Connect Hydraulic Hoses

Connect hoses as shown in Figure 6.

1. (-E) Pump type for Enerpac SQD and HXD torque wrenches: Be sure to use hoses marked "Enerpac THC-700 Series - 800 Bar/11,600 psi max." The couplers on these hoses are "polarized" at the factory to ensure correct wrench operation.
 - A. Hose and wrench female couplers. Hand tighten threaded coupler lock rings, no tools are required.
 - B. The (-E) pump's female couplers are self locking, press mating couplers together until coupler lock ring snaps forward. To disconnect, twist coupler lock ring clockwise and push away from connection.
2. (-Q) Pump type for Enerpac S and W torque wrenches and other brands: Use hoses marked "Enerpac THQ-700 series - 700 bar/10,000 psi max." Couplers must be polarized per Figure 6 for correct wrench operation. Ensure couplers are fully engaged and tightened before operating. Partial coupler engagement will prevent proper wrench operation.



WARNING: When using (-Q) pumps with multi-wrench manifolds, ensure all unused couplers have the protective caps fully installed before starting pump.

Note: When the wrench is first connected to the pump, air will be trapped in the hydraulic circuit. Remove air by placing wrench and straightened hoses below pump, operate wrench without load until it rotates without hesitation.

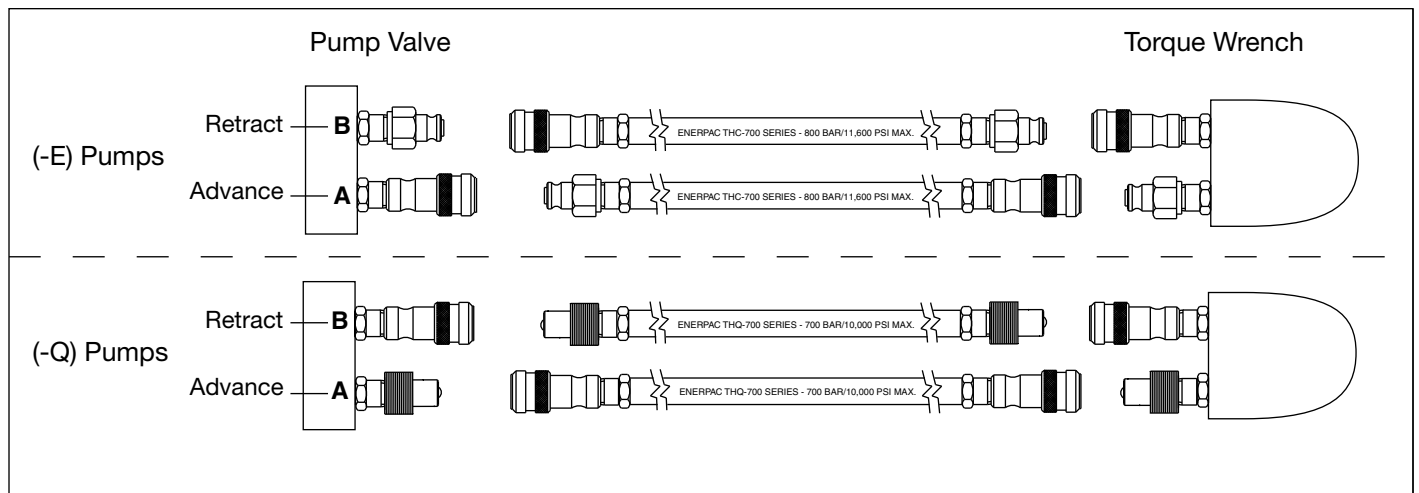


Figure 6, Hose Details

5.0 OPERATION

5.1 Pump On-Off Switch (See Figure 7)

On-Off Switch positions:

1. ON - Pump controlled by pendant. Pump starts when pendant "ON/ADV" button is pressed.
2. OFF - Pendant disabled. Pump will not start when pendant "ON/ADV" button is pressed.

Circuit Breaker: If tripped, press button to reset.

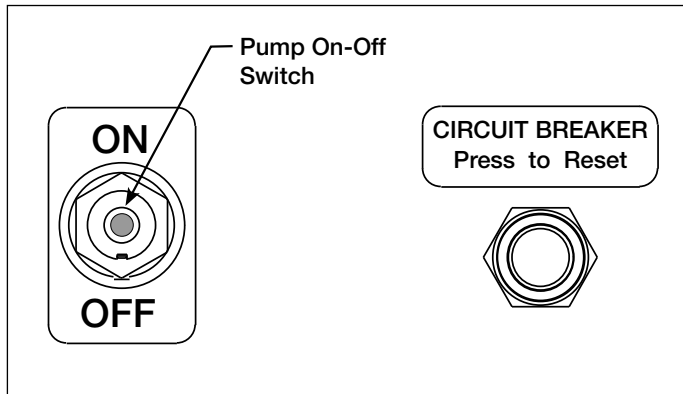


Figure 7, Pump Control Panel

5.2 Pendant Operation (See Figure 8)

1. Pendant "ON/ADV" Button:
 - Button pressed - Motor turns ON. Wrench ADVANCES for as long as button is held down.
 - Button released - Wrench RETRACTS. Motor continues running for up to 20 seconds.
2. Pendant "OFF" Button:
 - Button pressed - Motor turns OFF immediately.

Note: Immediate motor shutoff will occur if the pump on-off switch is moved to OFF while the pump is running.

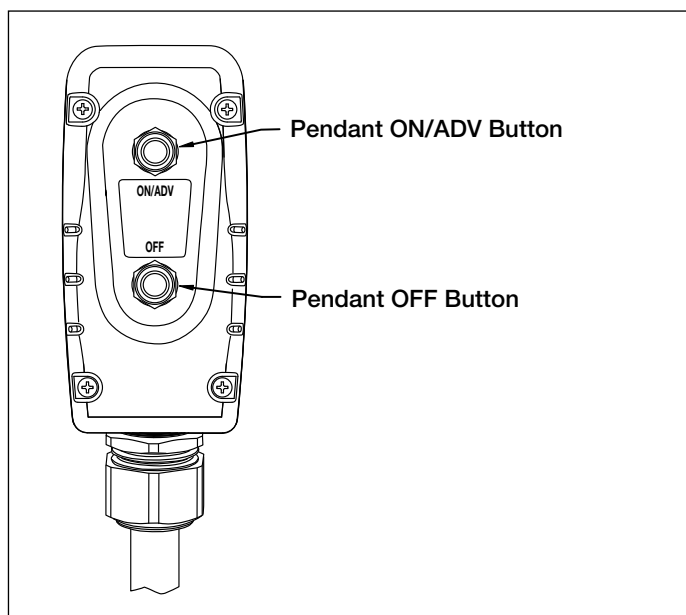


Figure 8, Pendant Buttons

5.3 Pump Operation

IMPORTANT: When possible, a single user should operate the torque wrench and pump. This can prevent accidental activation of the pump while the operator is positioning the wrench.

1. Check all system fittings and connections to be sure they are tight and leak free.
2. Check oil level in reservoir and add oil if necessary. (see section 4.4)
3. Make sure the shipping plug has been removed and the breather cap is installed. (see section 4.1)
4. Connect unit to power. Move the pump on-off switch to ON. See Figure 7.



WARNING: In the following step, the pump motor will start and the valve will shift automatically, retracting the torque wrench. Verify torque wrench is positioned to avoid injury or equipment damage before starting motor.

5. To start the pump, press the "ON/ADV" button on the pendant. See Figure 8. The motor will start automatically, and the wrench will begin to advance. The wrench will continue advancing for as long as the button is held down.
6. Release the "ON/ADV" button to retract the wrench. After button is released, the gauge will show the pressure in the retract circuit (B-port bypass), approximately 2500 - 2800 psi [173-193 bar].
7. Press the "OFF" button to stop the motor.

Note: If the "ON/ADV" button is not pushed within any continuous 20 second period, the pump's built in timer will automatically shut off the motor.

5.4 Relieving Pressure

To relieve hydraulic pressure on the wrench and hoses:

- Press and hold the "OFF" button. See Figure 9.
- While continuing to hold down the "OFF" button, press and release the "ON/ADV" button three or more times, until the pressure gauge reads 0 psi/bar. The hoses can now be removed.

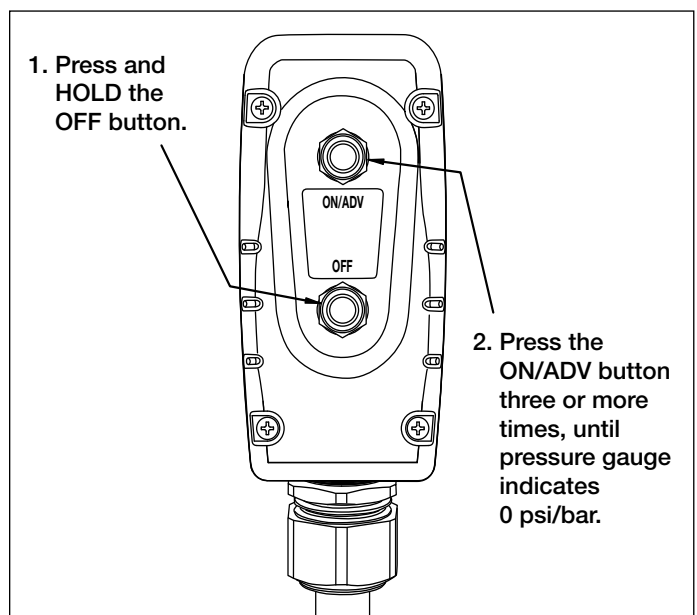


Figure 9, Relieving Pressure

5.5 Pressure Gauge Torque Overlay

The pump is supplied with a pressure gauge installed. For your convenience, torque overlays are provided with each pump. A torque overlay fits over the pressure gauge dial face and easily converts pressure readings to torque readings (see Fig. 10, View A). The overlay has imperial units (Ft-Lbs.) on one side and metric units (Nm) on the other. To change scales simply slip overlay over.



WARNING: Each overlay is sized for a specific Enerpac torque wrench ONLY. Do not use with other wrenches.

5.6 Changing the Overlay

1. Remove the three black wing knobs which hold the front gauge flange in place (see Fig. 10, View B).
2. Remove the front flange and overlay (see Fig. 10, View C).
3. Insert new overlay (remember to verify correct overlay to the Enerpac torque wrench being used) onto the flange, aligning the overlay with the dimples on the back of the flange (see Fig. 10, View D).
4. While holding the overlay behind the flange (see Fig. 10, View C) insert the flange onto the knob studs, repositioning the overlay as needed, and secure knobs finger tight (see Fig. 10, View B). The flange will press the overlay onto the gauge and secure it in place. See torque wrench instructions for amount of pressure required to produce desired torque. Note that the maximum pressure varies for different wrenches and accessories.



CAUTION: Refer to torque wrench instructions for wrench operating procedure.

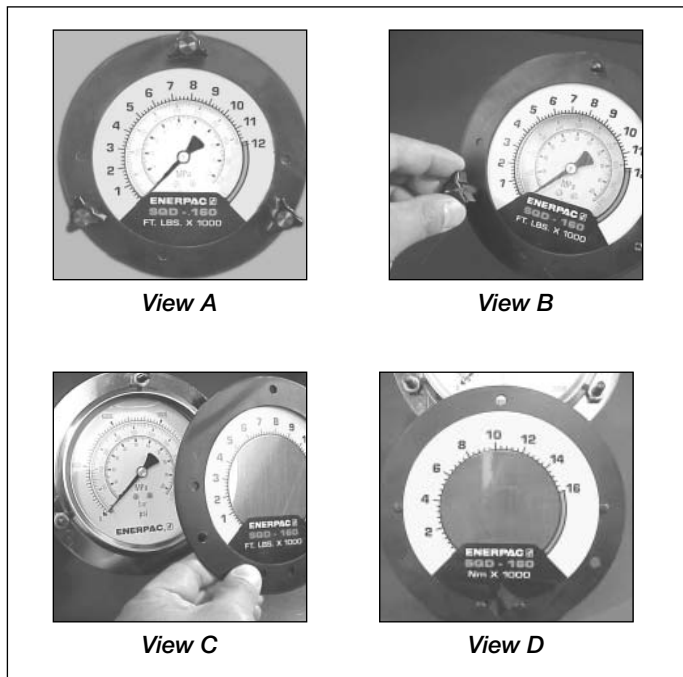


Figure 10, Overlay Installation

5.7 Pressure (Torque) Setting



WARNING: Make these adjustments BEFORE putting torque wrench on nut or bolt head. The pump pressure setting may not be above the pressure needed to provide the required torque for your application. Exceeding required torque will cause equipment damage and may lead to serious personal injury.

To limit the advance pressure to the torque wrench, adjust the relief valve as described in the following procedure. See Figure 11.

1. Loosen the relief valve locking nut.
2. Rotate relief valve handle counter-clockwise as required, until there is little or no resistance when turning. When this occurs, the valve is at its lowest setting.

Note: Relief valve handle will rotate only about two thirds of a full turn. When rotation stops, pull up on handle to disengage. Then, reposition and re-engage handle to allow additional adjustment (as required).

3. Move the pump on-off switch to ON.
4. Press and hold the pendant “ON/ADV” button. Motor will start and pressure will begin building in the A-Port advance circuit.
5. While continuing to hold down the “ON/ADV” button, SLOWLY rotate relief valve handle clockwise, until pressure increases to the desired setting.

Note: To obtain an accurate setting, always decrease the pressure to a point below the final setting and then slowly increase the pressure until the final setting is reached.

6. Release the “ON/ADV” button to allow the system pressure to return to the B-port retract setting. The motor will continue to run.
7. Press and hold the “ON/ADV” button again to recheck the advance circuit pressure setting. Verify that the desired pressure is indicated on the pressure gauge.
8. After the desired pressure setting has been obtained, tighten the relief valve locking nut.

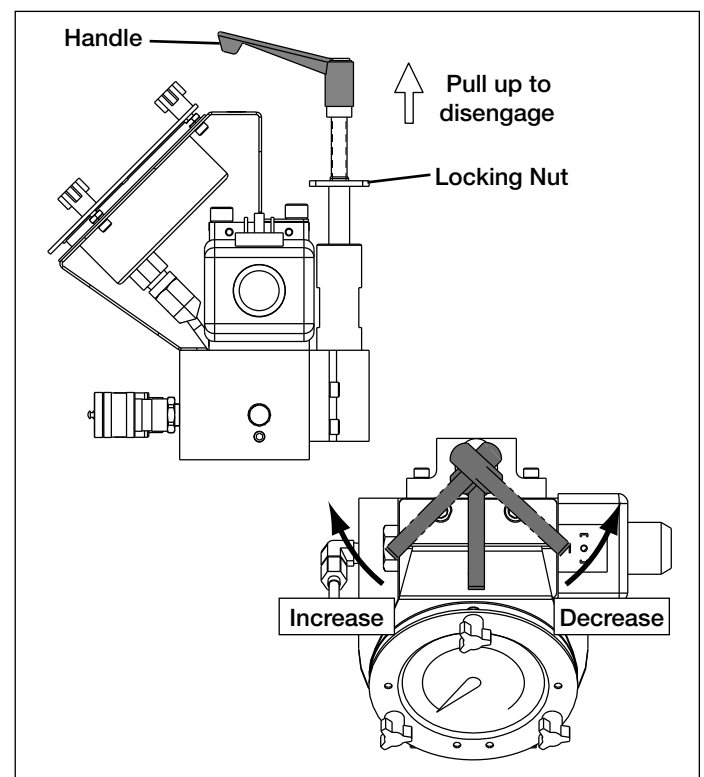


Figure 11, Relief Valve Adjustment

6.0 MAINTENANCE

Frequently inspect all system components for leaks or damage. Repair or replace damaged components. Electrical components, for example, the power-cord, may only be repaired or replaced by a qualified electrician, adhering to all applicable local and national codes.

6.1 Check Oil Level

Check the oil level of the pump prior to start-up, and add oil, if necessary, by removing the fill port plug. See figures 3 and 5. Always be sure torque wrench is fully retracted before adding oil to the reservoir.

6.2 Change Oil and Clean Reservoir

Enerpac HF oil is a crisp blue color. Frequently check oil condition for contamination by comparing pump oil to new Enerpac oil. As a general rule, completely drain and clean the reservoir every 250 hours, or more frequently if used in dirty environments.

Note: This procedure requires that you remove the pump from the reservoir. Work on a clean bench and dispose of used oil according to local codes.

1. Remove the drain plug and drain all oil from the reservoir. Clean and reinstall the drain plug.
2. Unscrew the 13 bolts holding the coverplate to the reservoir and lift the pump unit out of the reservoir. Be careful not to damage the filter screen.
3. Thoroughly clean the reservoir and reservoir magnet (if equipped) with a suitable cleaning agent.
4. Remove the pick-up filter screen for cleaning. (Do not pull on the screen or the bottom of the intake to avoid possible damage.) Clean the screen with solvent and a soft brush. Reinstall.
5. Reassemble the pump and reservoir, installing a new reservoir gasket.
6. Fill the reservoir with clean Enerpac hydraulic oil. The reservoir is full when oil level is as shown in Figure 5.

6.3 Motor Brush Replacement

To prevent motor damage, the ZU4 motor brushes incorporate an automatic motor stop when one of the brush carbons wears to a length of 0.25" [6 mm]. Inspect both brushes.

1. Disconnect pump from electrical power.



DANGER: To avoid possible electrocution, pump must be completely disconnected from electrical power before brush servicing is attempted.

2. Remove both brush caps (A) by deflecting the brush cap latch (B) and gently prying outward (see Figure 12).
3. Remove motor brushes by turning black cap counter-clockwise.
4. Replace both brushes and reverse procedure to reassemble.

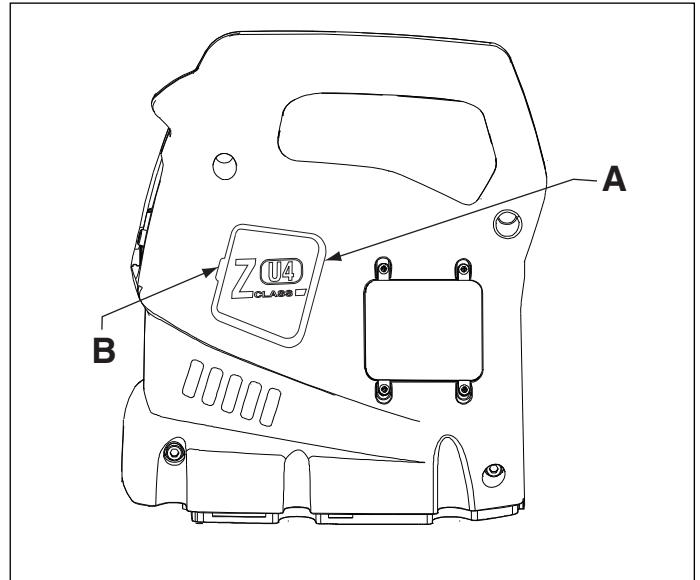


Figure 12, Brush Cap Removal

A. Brush Cap

B. Brush Cap Latch

7.0 TROUBLESHOOTING

(See Troubleshooting Guide)

Only qualified hydraulic technicians should service the pump or system components. A system failure may or may not be the result of a pump malfunction. To determine the cause of the problem, the complete system must be included in any diagnostic procedure.

The following information is intended to be used only as an aid in determining if a problem exists. For repair service, contact your local Authorized Enerpac Service Center.

Troubleshooting Guide

Problem	Possible Cause	Action
Pump will not start when "ON/ADV" button is depressed	No power	Connect power
	Pump on-off switch in "OFF" position	Move switch to "ON" position
	Circuit breaker tripped	Push circuit breaker button
	Low voltage	Turn off other electric loads Use heavier gauge extension cord
	Motor brushes worn to end of life	See Section 6.3, Motor Brush Replacement
	Pendant damage	Repair pendant See authorized service center
Motor stops under load	Low voltage	Turn off other electric loads Use heavier gauge extension cord
Electric valve will not operate	No power to pump or wrong voltage	Connect to correct power source per pump nameplate
	Solenoid cable disconnected or damaged	Connect, repair, or replace cable
	Solenoid coil not operational	See authorized service center
	Valve out of adjustment	See authorized service center
Pump fails to build pressure or less than full pressure	Low oil level	Add oil per section 4.4
	Relief valve set too low	Adjust per section 5.7
	External system leak	Inspect and repair or replace
	Internal leak in pump	See authorized service center
	Internal leak in valve	
	Internal leak in system component	
Pump builds full pressure, but torque wrench does not advance	Torque greater than wrench capacity at full pressure	Use torque wrench with larger capacity
	Advance flow to wrench restricted or blocked	Check couplers for full engagement per section 4.5
Torque wrench will not retract	Return flow line restricted or blocked	Check couplers for full engagement Run motor when retracting
	Valve malfunction	See authorized service center
Pressure trapped in hoses after pump motor stops	Pressure not relieved	Relieve pressure per section 5.4
Pump runs hot	Advance or retract flow restricted	Check couplers for full engagement per section 4.5
	High ambient temperature	Install heat exchanger

Pompe à clé dynamométrique classique ZU4

L2906 Rev. C 12/10

Les vues éclatées de ce produit sont disponibles sur le site Enerpac www.enerpac.com. Vous pouvez également les obtenir auprès de votre réparateur agréé Enerpac ou auprès d'Enerpac même.

1.0 INSTRUCTIONS IMPORTANTES RELATIVES À LA RÉCEPTION

Inspecter tous les composants pour vous assurer qu'ils n'ont subi aucun dommage en cours d'expédition. Les dommages subis en cours de transports ne sont pas couverts par la garantie. S'il sont abîmés, aviser immédiatement le transporteur, qui est responsable des frais de réparation et de remplacement résultant de dommages en cours de transport.

LA SÉCURITÉ AVANT TOUT !

2.0 SÉCURITÉ



Lire attentivement toutes les instructions et mises en garde et tous les avertissements. Suivre toutes les précautions pour éviter d'encourir des blessures personnelles ou de provoquer des dégâts matériels durant le fonctionnement du système. Enerpac ne peut pas être tenue responsable de dommages ou blessures résultant de l'utilisation risquée du produit, d'un mauvais entretien ou d'une application incorrecte du produit et du système. En cas de doute sur les précautions ou les applications, contacter Enerpac. En l'absence d'une formation aux mesures de sécurité à prendre en présence de liquides sous haute pression, consulter un centre de distribution ou de réparation Enerpac pour suivre un cours gratuit sur ce thème.

Respecter les mises en garde et avertissements suivants sous peine de provoquer des dégâts matériels et des blessures personnelles.

Une mise en garde **ATTENTION** sert à indiquer des procédures d'utilisation et de maintenance correctes qui visent à empêcher l'endommagement voire la destruction du matériel ou d'autres dégâts.

Un **AVERTISSEMENT** indique un danger potentiel qui exige la prise de mesures particulières visant à écarter tout risque de blessure.

La mention **DANGER** n'est utilisée que lorsqu'une action ou un acte de négligence risque de causer des blessures graves, voire mortelles.



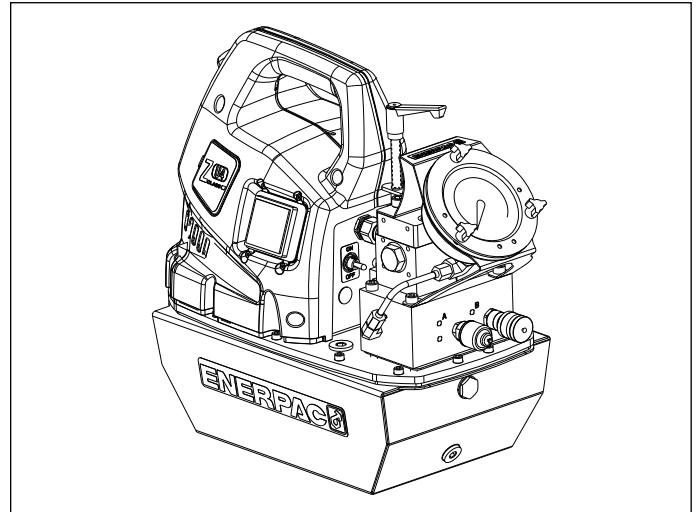
AVERTISSEMENT : Porter un équipement de protection personnelle adéquat pour utiliser un appareil hydraulique.



AVERTISSEMENT : Rester à l'écart de charges soutenues par un mécanisme hydraulique. Un vérin, lorsqu'il est utilisé comme monte-charge, ne doit jamais servir de support de charge. Après avoir monté ou abaissé la charge, elle doit être bloquée par un moyen mécanique.



AVERTISSEMENT : UTILISER SEULEMENT DES PIÈCES RIGIDES POUR SOUTENIR LES CHARGES. Sélectionner avec précaution des blocs d'acier ou de bois capables de supporter la charge. Ne jamais utiliser un vérin hydraulique comme cale ou intercalaire d'appui pour les applications de levage ou de pressage.



DANGER : Pour écarter tout risque de blessure personnelle, maintenir les mains et les pieds à l'écart du vérin et de la pièce à usiner durant l'utilisation.



AVERTISSEMENT : La pression de fonctionnement du système ne doit pas dépasser la pression nominale du composant du système affichant la plus petite valeur. Installer des manomètres dans le système pour surveiller la pression de fonctionnement. Ils permettent de vérifier ce qui se passe dans le système.



ATTENTION : Éviter d'endommager les tuyaux hydrauliques. Éviter de les plier et de les tordre en les mettant en place. Un tuyau plié ou tordu entraînera un fort retour de pression. Les plis et coudes prononcés endommageront par ailleurs l'intérieur du tuyau, provoquant son usure précoce.



Ne pas faire tomber d'objets lourds sur le tuyau. Un fort impact risque de causer des dégâts intérieurs (torons métalliques). L'application d'une pression sur un tuyau endommagé risque d'entraîner sa rupture.



IMPORTANT : Ne pas soulever le matériel hydraulique en saisissant ses tuyaux ou ses raccords articulés. Utiliser la poignée de transport ou procéder d'une autre manière sûre.



ATTENTION : Garder le matériel hydraulique à l'écart de flammes et d'une source de chaleur. Une forte température amollira les garnitures et les joints et provoquera par conséquent des fuites. La chaleur affaiblit également les matériaux et les garnitures du tuyau. Pour une performance maximale, ne pas exposer le matériel à une température supérieure ou égale à 65 °C (150 °F). Protéger tuyaux et vérins de projections de soudure.



DANGER : Ne pas manipuler les tuyaux sous pression. L'huile sous pression qui risque de s'en échapper peut pénétrer dans la peau et provoquer des blessures graves. En cas d'injection d'huile sous la peau, contacter immédiatement un médecin.



AVERTISSEMENT : Les clés dynamométriques hydrauliques doivent être utilisées dans un système couplé seulement. N'utilisez jamais une clé dynamométrique dans un coupleur non branché. Si la clé dynamométrique est soumise à une charge excessive, ses composants peuvent se détacher et causer des blessures graves.



IMPORTANT : Le matériel hydraulique doit uniquement être réparé par un technicien hydraulique qualifié. Pour toute réparation, contacter le centre de réparation ENERPAC agréé le plus proche. Pour assurer la validité de la garantie, n'utiliser que de l'huile ENERPAC.



AVERTISSEMENT : Remplacer immédiatement les pièces usées ou endommagées par des pièces ENERPAC authentiques. Les pièces de qualité standard se casseront et provoqueront des blessures et des dégâts matériels. Les pièces ENERPAC sont conçues pour s'ajuster parfaitement et résister à de fortes charges.



ATTENTION : N'utilisez pas de pompe électrique en atmosphère explosive. Respectez toutes les réglementations électriques. L'installation ainsi que toutes modifications doivent obligatoirement être effectuées par un technicien qualifié.



ATTENTION : Tenez vos mains éloignées des pièces en mouvement et des flexibles sous pression.



ATTENTION : Ces pompes sont équipées de vannes réglées en usine ; celles-ci ne sont réparables ou réglables que par un centre de service agréé Enerpac.



ATTENTION : Pour éviter d'endommager le moteur électrique de la pompe, vérifiez ses caractéristiques. Une alimentation électrique incorrecte provoquera des dommages au moteur.

3.0 SPÉCIFICATIONS

3.1 Tableau de performance (consulter le bas de la page)

3.2 Courbes de débit (Voir figure 1) :

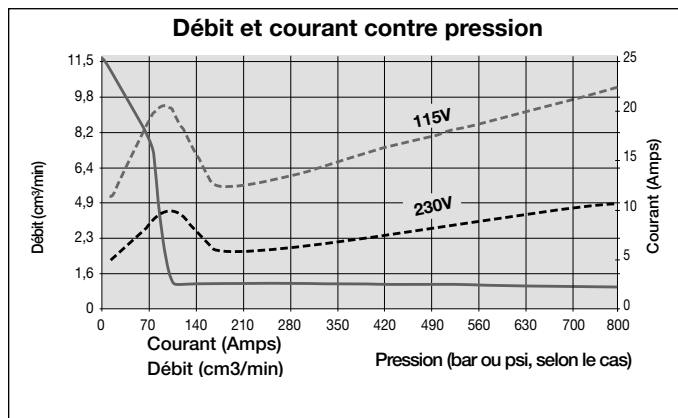


Figure 1, Courbe de débit

▼ Tableau de performance ZU4

Puissance du moteur (kW)	Débit nominal L/min				Spécifications électriques de moteur (Volts-Ph-Hz)	Niveau du son (dBA)	Fourchette de réglage de la soupape de retour (bar)
	7 bar 100 psi	50 bar 700 psi	350 bar 5,000 psi	700 bar 10,000 psi			
1,25*	700	535	76	60	115-1-50/60 230-1-50/60	85-90	100-700 pour la version « Q » 100-800 pour la version « E »

*La consommation de courant réelle dépend de l'application. Voir la figure 1.

4.0 INSTALLATION

Installer ou positionner la pompe afin de s'assurer que la circulation d'air autour du moteur et de la pompe ne soit pas obstruée. Garder le moteur propre afin d'assurer un refroidissement maximal pendant le fonctionnement.

4.1 Bouchon d'évent et bouchon de remplissage d'huile (Voir Figures 2 & 3)

Un bouchon de transport (A) est installé dans le port de décharge au sommet du réservoir. Avant d'utiliser la pompe, remplacer le bouchon de transport (A) par le bouchon d'évent (B) et le raccord d'adaptateur (C). Remarque : Le port de remplissage d'huile est situé sur le côté opposé de la pompe. Le port de remplissage d'huile est surmonté d'un bouchon SAE #10 (D).

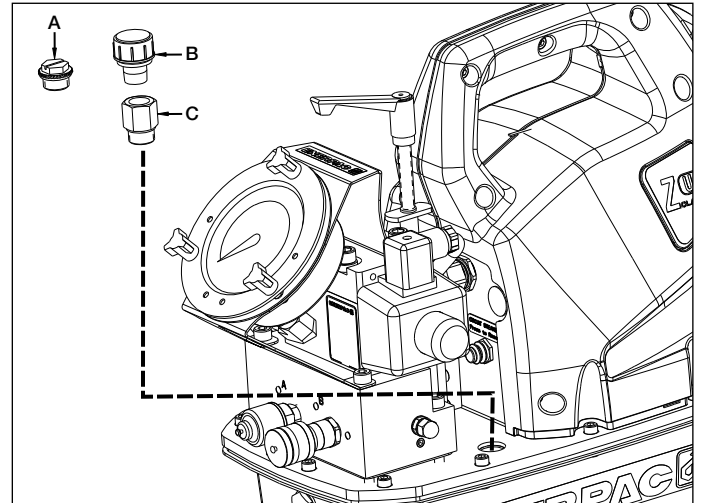


Figure 2, Installation de la goulotte de décharge

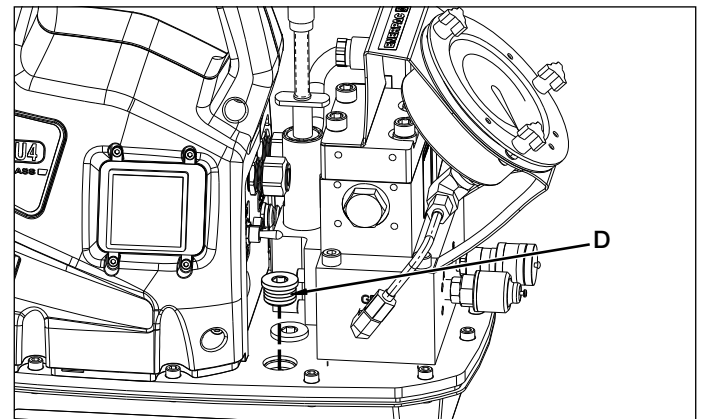


Figure 3, Bouchon de remplissage d'huile

5.5 Manomètre et procédure de recouvrement

La pompe est fournie avec un manomètre à pression installée. Selon l'utilisation, un jeu de disques interchangeable est fourni avec chaque pompe. Un disque s'adapte sur le cadran du manomètre de pression et convertit facilement les lectures de pression en lectures de couple (Voir fig. 10, Vue A). Le disque affiche les unités impériales (pi-lb) sur un côté et les unités métriques (Nm) sur l'autre côté. Pour changer d'échelles, simplement glisser le disque dessus.



ATTENTION : la taille de chaque disque correspond uniquement pour la clé dynamométrique Enerpac spécifique. Ne pas employer sur d'autres clés.

5.6 Changement du disque

1. Enlever les trois onglets noirs qui retiennent en place la collerette de manomètre avant (voir figure 10, vue B).
2. Enlever la collerette avant et le disque (voir figure 10, Vue C).
3. Insérer le nouveau disque (ne pas oublier de vérifier que le disque correspond bien à la clé dynamométrique Enerpac employée) sur la collerette, aligner le disque avec les coches à l'arrière de la collerette (voir figure 10, Vue D).
4. Tout en tenant le disque derrière la collerette (voir figure 10, Vue C), insérer la collerette dans les goujons de la poignée, repositionner le disque au besoin et serrer manuellement les poignées (voir figure 10, Vue B). La collerette appuiera le disque sur le manomètre et la retiendra en place. Consulter les directives de la clé dynamométrique pour connaître la quantité de pression requise pour produire le couple souhaité. Tenir compte que la pression maximum varie selon les clés et les accessoires.



AVERTISSEMENT : Consulter les directives de la clé dynamométrique pour connaître ses procédures de fonctionnement.

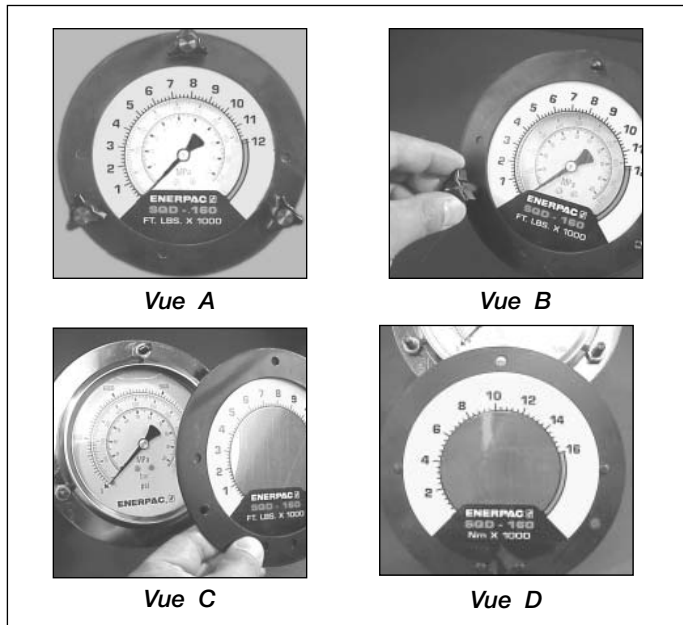


Figure 10, , Installation du recouvrement

5.7 Réglage de la pression (Couple)



ATTENTION : faire ces réglages juste AVANT de mettre la clé dynamométrique sur l'écrou ou le boulon. Le réglage de la pression de la pompe peut être supérieure à la pression nécessaire afin de fournir le couple requis pour votre application. Si le couple requis est dépassé, cela peut provoquer des dommages à l'équipement et peut entraîner des blessures corporelles graves.

Pour limiter la pression d'utilisation de la clé dynamométrique, régler le limiteur de pression comme indiqué dans la procédure suivante. Voir figure 11.

1. Desserrer le contre-écrou du limiteur de pression.
2. Tourner la poignée du limiteur de pression dans le sens inverse des aiguilles d'une montre jusqu'à ce qu'elle n'oppose pratiquement plus de résistance. À ce stade, la valve est réglée à son minimum.

Remarque : La poignée du limiteur de pression tournera uniquement sur les deux tiers d'un tour complet. Quand la rotation s'arrête, soulever la poignée pour la retirer. Repositionner et réengager la poignée par la suite pour permettre un réglage supplémentaire (si nécessaire).

3. Placer le commutateur de la pompe sur ON.
4. Maintenir le bouton « ON/ADV » de la télécommande enfoncé. Le moteur démarre et la pression commence à s'accumuler dans le circuit d'avancement du Port A.
5. Tout en maintenant le bouton « ON/ADV » enfoncé, tourner LENTEMENT la poignée du limiteur de pression dans le sens des aiguilles d'une montre, jusqu'à ce que la pression augmente pour atteindre le réglage souhaité.

Remarque : Pour obtenir un réglage précis, toujours diminuer la pression à un stade inférieur au réglage final puis augmenter lentement la pression jusqu'à atteindre le réglage final.

6. Relâcher le bouton « ON/ADV » pour permettre à la pression du système de revenir au réglage de rétraction du port B. Le moteur continuera à tourner.
7. Maintenir à nouveau le bouton « ON/ADV » enfoncé pour vérifier une nouvelle fois le réglage de pression du circuit d'avancement. Vérifier que la pression souhaitée est indiquée sur le manomètre.
8. Une fois que le réglage de la pression souhaitée est atteint, resserrer le contre-écrou du limiteur de pression.

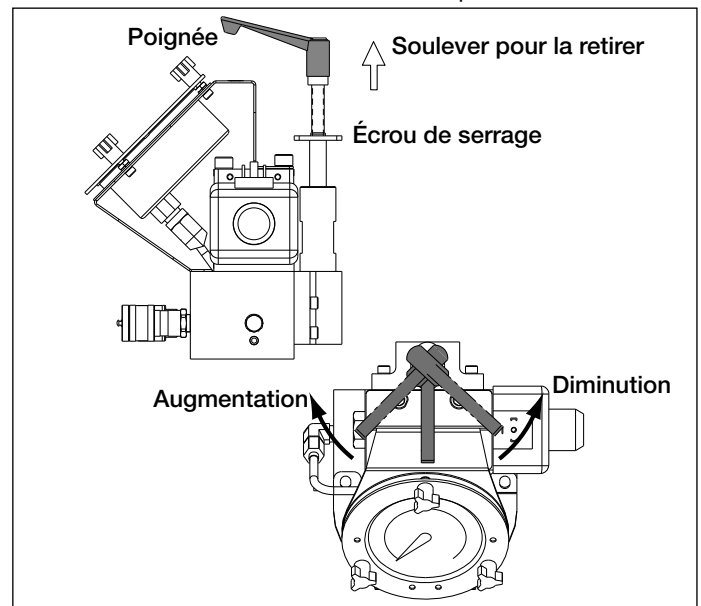


Figure 11, Ajustement du limiteur de pression

6.0 ENTRETIEN

Inspecter fréquemment l'étanchéité et l'état de tous les composants du système. Réparer ou remplacer les composants endommagés. Les composants électriques, notamment, le cordon électrique, peuvent uniquement être réparés ou remplacés par un électricien qualifié respectant tous les codes locaux et nationaux en vigueur.

4.2 Montage de la pompe (cf. Figure 4)

Veillez consulter la figure 3 pour les dimensions de montage afin d'installer la pompe à une surface fixe.

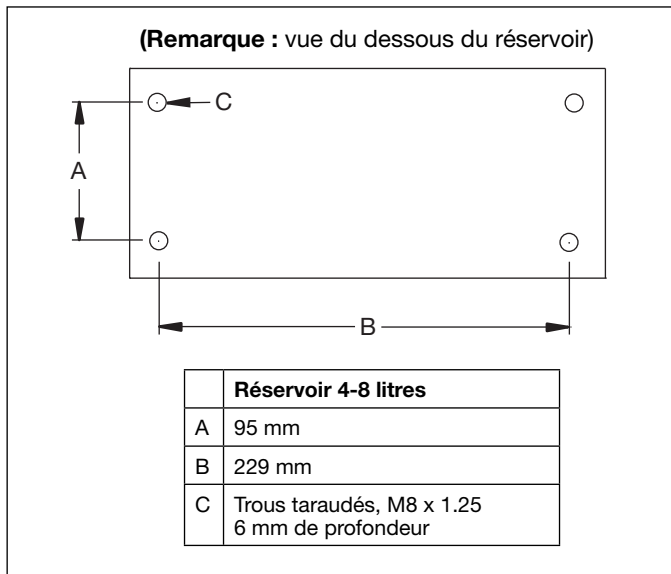


Figure 4, Dimensions de montage

4.3 Connexions électriques

LA POMPE EST ÉQUIPÉE À L'USINE D'UNE FICHE ÉLECTRIQUE COURANTE POUR UNE CERTAINE TENSION. LA MODIFICATION D'UNE FICHE DOIT UNIQUEMENT ÊTRE EFFECTUÉE PAR UN ÉLECTRICIEN QUALIFIÉ RESPECTANT TOUS LES CODES LOCAUX ET NATIONAUX EN VIGUEUR.

1. Le sectionneur et la protection du circuit de la ligne d'alimentation doivent être fournis par le client. Le disjoncteur de ligne doit être à 115 % de la charge pleine courante du moteur à la pression maximale de l'application (voir la figure 1).
2. Pour de plus amples informations, consulter la plaque signalétique de la pompe pour la puissance nominale.

4.4 Niveau d'huile

Vérifier le niveau de l'huile de la pompe avant le démarrage, au besoin enlever le bouchon SAE no 10 de la plaque de recouvrement pour ajouter de l'huile (voir figure 3). Le réservoir est plein lorsque le niveau d'huile est au niveau illustré dans la figure 5.

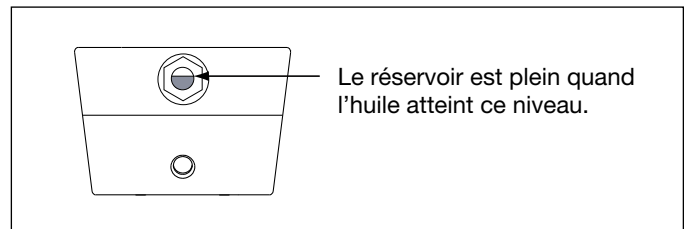


Figure 5, regardv

IMPORTANT: Ajouter de l'huile seulement lorsque les composants sont complètement rétractés, sinon le système contiendra plus d'huile que peut en contenir le réservoir.

4.5 Branchement des flexibles hydrauliques

Raccorder les flexibles tel qu'indiqué sur l'illustration 6.

1. Pompe de type (-E) pour clés dynamométriques Enerpac SQD et HXD : Assurez-vous d'utiliser des flexibles portant l'identification « Enerpac THC-700 Series - 800 Bar/11,600 psi max ». Les coupleurs de ces flexibles sont « polarisés » à l'usine afin d'assurer le bon fonctionnement de la clé dynamométrique.
 - A. Flexible et coupleurs femelles de la clé dynamométrique. Serrer à la main les joncs d'arrêt filetés pour coupleur; aucun outil n'est requis.
 - B. Les coupleurs femelles de la pompe (-E) sont autobloquants; pressez les coupleurs correspondants l'un contre l'autre jusqu'à ce que le jonc d'arrêt bloque en position de verrouillage. Pour débrancher, tournez le jonc d'arrêt du coupleur dans le sens des aiguilles d'une montre et tirer pour dégager.
2. Pompe de type pour (-Q) pour clés dynamométriques Enerpac S et W et autres marques : Assurez-vous d'utiliser des flexibles portant l'identification « Enerpac THC-700 Series - 700 Bar/10 000 psi max ». Les coupleurs de ces flexibles doivent être « polarisés » comme dans la figure 6 afin d'assurer le bon fonctionnement de la clé dynamométrique. S'assurer que les coupleurs sont bien engagés et serrés avant de faire fonctionner l'appareil. Si les coupleurs présentent du jeu, la clé dynamométrique fonctionnera mal.



ATTENTION : si vous utilisez des pompes (-Q) dotées de collecteurs multiclés, assurez-vous d'avoir fixé un bouchon de protection sur tous les coupleurs inutilisés avant de mettre la pompe en marche.

Remarque : Si la clé a été branchée en premier à la pompe, le circuit hydraulique contiendra de l'air. Retirer l'air en plaçant la clé et les flexibles redressés sous le niveau de la pompe, puis faire fonctionner la clé sans charge jusqu'à ce qu'elle tourne facilement.

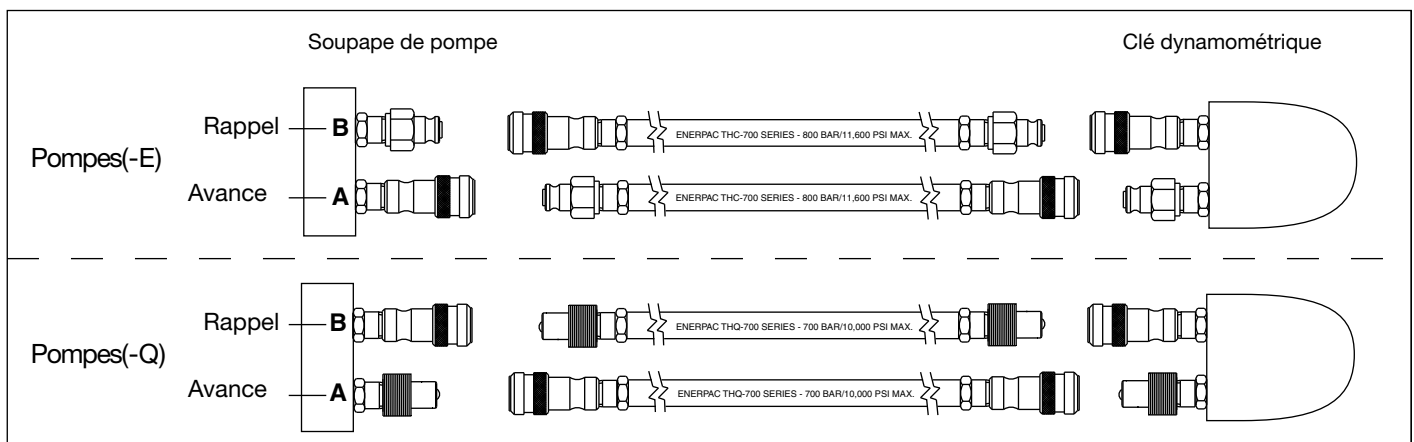


Figure 6, Détails des flexibles

5.0 FONCTIONNEMENT

5.1 Interrupteur marche / arrêt de la pompe (Voir figure 7)

Positions de l'interrupteur d'activation :

1. ON (MARCHE) = pompe contrôlée par la commande à distance. La pompe démarre quand le bouton « ON/ADV » de la commande à distance est enfoncé.
2. OFF (ARRÊT) – commande à distance désactivée. La pompe ne démarre pas quand le bouton « ON/ADV » de la commande à distance est enfoncé.

Coupe-circuit : S'il est basculé, appuyer sur le bouton pour remettre à zéro

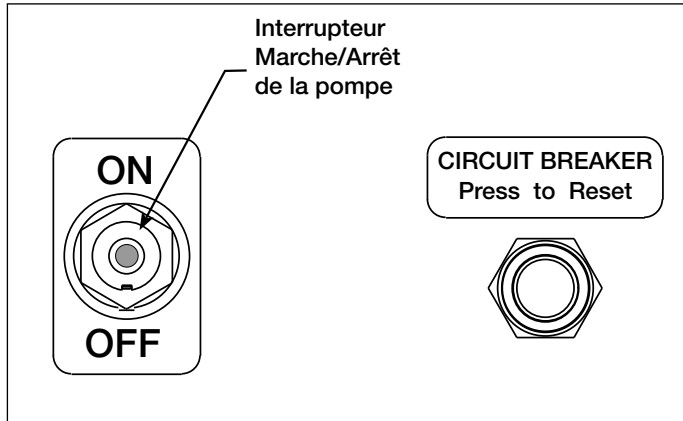


Figure 7, panneau de commande de la pompe

5.2 Fonctionnement de la commande à distance (Voir figure 8)

1. Bouton « ON/ADV » de la commande à distance :
 - Bouton enfoncé – le moteur est ALLUMÉ (ON). La clé AVANCE tant que le bouton est enfoncé.
 - Bouton relâché – la clé est RAPPELÉE. Le moteur continue de tourner pendant 20 secondes.
2. Bouton « OFF » de la commande à distance :
 - Bouton enfoncé – le moteur est ÉTEINT (OFF) immédiatement

Remarque : l'extinction immédiate du moteur surviendra si l'interrupteur d'activation de la pompe est positionné sur OFF quand la pompe est en marche.

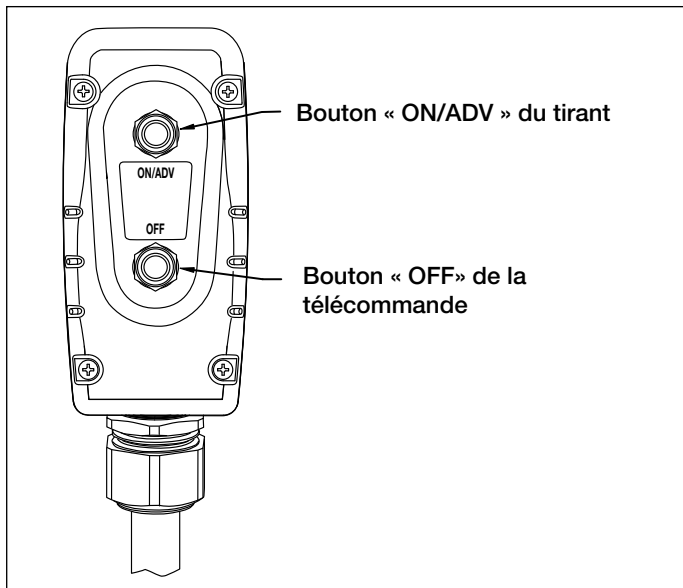


Figure 8, Boutons du tirant

5.3 Fonctionnement de la pompe

IMPORTANT: Autant que possible, un seul utilisateur devrait faire fonctionner la clé dynamométrique et la pompe. Ceci afin d'empêcher la mise en route accidentelle de la pompe pendant que l'opérateur place la clé.

1. Vérifier le serrage et l'étanchéité de tous les raccords et des connexions du système.
2. Vérifier le niveau d'huile du réservoir et ajouter de l'huile au besoin. (Consulter la section 4.4)
3. Assurez-vous que le bouchon d'expédition a été retiré et que le reniflard est bien installé. (Consulter la section 4,1)
4. Brancher l'unité à l'alimentation. Mettre l'interrupteur d'activation de la pompe sur la position ON. Voir la figure 7.



ATTENTION : dans l'étape suivante, le moteur de la pompe va démarrer et la soupape basculera automatiquement, ce qui rappellera la clé dynamométrique. Assurez-vous que la clé dynamométrique est positionnée de manière à prévenir les blessures et les dommages à l'équipement avant de faire démarrer le moteur.

5. Pour démarrer la pompe, appuyer sur la touche « ON/ADV » sur la commande à distance. Voir Figure 8. Le moteur démarrera automatiquement, et la clé dynamométrique commencera à tourner. La clé avancera tant que la touche est maintenue enfoncée.
6. Relâcher la touche « ON/ADV » pour rétracter la clé. Une fois que le bouton est relâché, le manomètre affiche une pression entre 173-193 bars (2 500-2 800 psi).
7. Appuyer sur le bouton « OFF/DUMP » pour arrêter le moteur.

Remarque : Si le bouton « ON/ADV » n'est pas enfoncé pendant toute période continue de vingt secondes, la minuterie intégrée de la pompe active l'arrêt automatique du moteur.

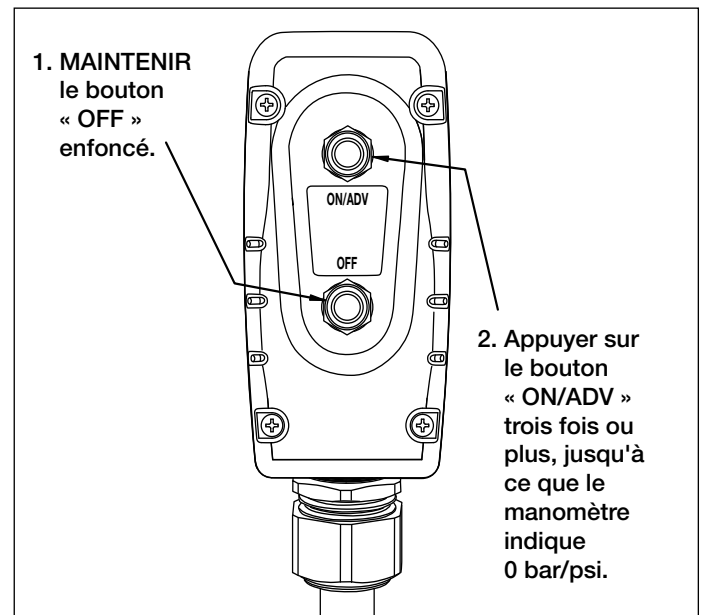


Figure 9, Relâchement de la pression

5.4 Relâchement de pression

Pour relâcher de la pression hydraulique sur la clé et les flexibles :

- Appuyer et maintenir le bouton « OFF » enfoncé. Voir figure 9.
- Tout en maintenant le bouton « OFF » enfoncé, enfoncer puis relâcher le bouton « ON/ADV » trois fois ou plus, jusqu'à ce que le manomètre indique 0 bar/psi. Les flexibles peuvent désormais être enlevés.

6.1 Vérifier le niveau d'huile

Vérifier le niveau de l'huile de la pompe avant le démarrage et, au besoin, retirer le bouchon de l'orifice de remplissage pour ajouter de l'huile. Cf. figures 3 et 5. Toujours s'assurer que la clé dynamométrique est entièrement rétractée avant d'ajouter de l'huile dans le réservoir.

6.2 Changer l'huile et nettoyer le réservoir

L'huile Enerpac HF a une couleur bleu vif. Vérifiez fréquemment l'état de l'huile pour la contamination en comparant l'huile de la pompe à une nouvelle huile Enerpac. Comme règle générale, purgez et videz complètement le réservoir chaque 250 heures, ou plus fréquemment si utilisé dans des environnements sales.

REMARQUE : Pour ce procédé il faut que vous enleviez la pompe du réservoir. Travaillez sur un établi propre et débarrassez-vous de l'huile usagée selon la législation en vigueur.

1. Retirer le bouchon de vidange et vidanger l'huile du réservoir. Nettoyer et reposer le bouchon de vidange.
2. Dévisser les 13 boulons retenant la plaque de recouvrement au réservoir et soulever la pompe hors du réservoir. Faire attention de ne pas endommager le grillage du filtre.
3. Soigneusement nettoyer le réservoir et l'aimant du réservoir (si équipé) avec un agent nettoyant approprié.
4. Retirer le grillage du filtre pour le nettoyer. (Ne pas tirer sur le filtre ni sur le bas de l'admission pour éviter des dommages éventuels.) Nettoyer le grillage avec un dissolvant et une brosse douce. Réinstaller.
5. Remonter la pompe et le réservoir, installer un joint de réservoir neuf.
6. Remplir le réservoir avec l'huile hydraulique Enerpac propre. Le réservoir est plein lorsque le niveau de l'huile correspond à la Figure 5.

6.3 Remplacement des charbons du moteur

Afin d'éviter l'endommagement du moteur, les charbons du moteur ZU4 comporte un arrêt automatique du moteur lorsque le carbone des brosses est usé à 6 mm [25 po]. Vérifier les deux charbons .

1. Débrancher la pompe de l'alimentation électrique.



DANGER: Pour éviter les risques d'électrocution, débrancher complètement la pompe de toute source électrique avant d'effectuer un entretien des charbons.

2. Retirer les deux capuchons de brosse (A) en déviant le loquet du capuchon des charbons (B) et délicatement sortir (voir figure 12).
3. Retirer les charbons du moteur en tournant le capuchon noir dans le sens antihoraire.
4. Remplacer les deux charbons et inverser la procédure de démontage pour l'assemblage.

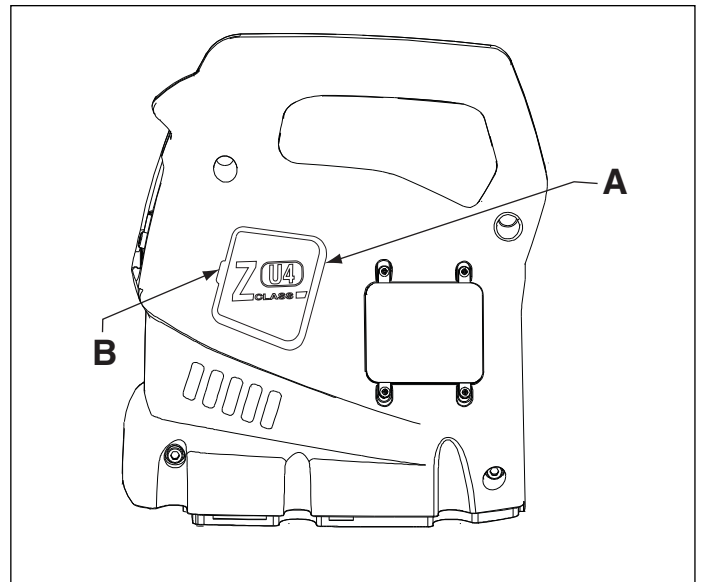


Figure 12, Dépose du capuchon des charbons

A. Capuchon du charbon B. Loquet de capuchon du charbon

7.0 DÉPANNAGE (VOIR LE GUIDE DE DÉPANNAGE)

Seuls des techniciens hydrauliques qualifiés doivent réparer la pompe ou les composants du système. Une panne du système peut être ou non consécutive à un mauvais fonctionnement de la pompe. Afin d'établir la cause de problème, le système complet doit être soumis à la procédure de diagnostic.

Les informations suivantes sont destinées à servir comme aide afin d'établir un diagnostic si un problème existe. Pour obtenir un service de réparation, veuillez entrer en contact avec le Centre de service Enerpac agréé de votre région.

Guide de dépannage

Problème	Cause possible	Action
La pompe ne démarre pas quand le bouton « ON/ADV » est enfoncé	Pas de courant	Connecter à l'alimentation
	Interrupteur d'activation de la pompe en position « OFF »	Mettre l'interrupteur sur la position « ON »
	Le disjoncteur se déclenche	Enfoncer le bouton du disjoncteur
	Tension faible	Éteindre toutes les autres charges électriques Utiliser une rallonge de calibre supérieur
	Les brosses du moteur en fin de course	Voir la section 6.3, Remplacement des charbons du moteur
	Commande à distance endommagée	Réparer la commande à distance Consulter un centre de réparation agréé
Le moteur s'étouffe sous la charge	Tension faible	Éteindre toutes les autres charges électriques Utiliser une rallonge de calibre supérieur
La soupape électrique ne fonctionne pas	Pompe sans alimentation ou tension erronée	Raccorder à la source d'alimentation appropriée par plaque de la pompe
	Électrovanne débranchée ou endommagée	Brancher, réparer ou remplacer le câble
	Bobine de solénoïde non-opérationnelle	Consulter un centre de réparation agréé
	Soupape hors-réglage	Consulter un centre de réparation agréé
La pompe n'accumule pas de pression ou moins qu'une pression pleine	Niveau d'huile bas	Ajouter de l'huile selon la section 4.4
	Réglage du limiteur de pression trop faible	Régler selon la section 5.7
	Fuite externe du système	Vérifier et réparer ou remplacer
	Fuite interne de la pompe	Consulter un centre de réparation agréé
	Fuite interne de la soupape	
	Fuite interne d'un composant du système	
La pompe développe une pression complète mais la clé dynamométrique n'avance pas	Couple plus élevé que la capacité de la clé à pleine pression	Utilisez une clé dynamométrique de capacité plus élevée
	Débit d'avance vers la clé restreint ou bloqué	Vérifier si les coupleurs sont bien connectés selon la section 4.5
Le rappel de la clé dynamométrique ne fonctionne pas	Débit de retour restreint ou bloqué	Contrôler que les coupleurs soient bien engagés Le moteur tourne au cours du rappel
	Mauvais fonctionnement de la soupape	Consulter un centre de réparation agréé
La pression est emprisonnée dans les flexibles une fois que le moteur de la pompe s'arrête	La pression n'est pas relâchée	Relâcher la pression comme indiqué à la Section 5.4.
La pompe est chaude	Débit d'avance ou de rappel restreint	Vérifier si les coupleurs sont bien connectés selon la section 4.5
	Température ambiante élevée	Installer un échangeur thermique

L2906 Rev. C 12/10

Das Ersatzteilblatt für dieses Produkt finden Sie auf der Enerpac Website www.enerpac.com, oder bei Ihrem nächstgelegenen autorisierten Enerpac Service Center oder einem Enerpac Vertriebsbüro.

1.0 WICHTIGE VERFAHRENSHINWEISE FÜR DEN EMPFANG:

Alle Komponenten auf sichtbare Transportschäden inspizieren. Transportschäden sind nicht von der Garantie gedeckt. Werden solche Schäden festgestellt, ist unverzüglich das Transportunternehmen zu verständigen. Das Transportunternehmen ist für alle Reparatur- und Ersatzkosten, die auf Transportschäden zurückzuführen sind, verantwortlich.

SICHERHEIT GEHT VOR

2.0 SICHERHEITSFAGEN



Alle Anleitungen, Warnungen und Vorsichtshinweise sorgfältig durchlesen. Beachten Sie alle Sicherheitsvorkehrungen, um Verletzungen oder Sachschäden während des Systembetriebs zu vermeiden. Enerpac ist weder für Schäden noch Verletzungen haftbar, die durch einen fahrlässigen Gebrauch des Produkts, mangelhafte Instandhaltung oder eine unvorschriftsmäßige Anwendung des Produkts und/oder des Systems verursacht werden. Bei evtl. Fragen in bezug auf Sicherheitsvorkehrungen und Betriebsabläufe wenden Sie sich bitte an ENERPAC. Wenn Sie an keinerlei Sicherheitsschulungen im Zusammenhang mit Hochdruck-hydraulikanlagen teilgenommen haben, fordern Sie von Ihrer Vertriebs- und Kundendienstzentrale einen kostenlosen Enerpac-Hydraulik-Sicherheitskurs an.

Ein Mißachten der folgenden Vorsichtshinweise und Warnungen kann zu Geräteschäden und Verletzungen führen.

Mit einem **VORSICHTSHINWEIS** wird auf ordnungsgemäße Betriebs- oder Wartungsverfahren und -praktiken hingewiesen, um Schäden an den Geräten oder anderen Sachwerten bzw. deren Zerstörung zu vermeiden.

Eine **WARNUNG** verweist auf eine potentielle Verletzungsgefahr, die durch ordnungsgemäße Verfahren oder Praktiken vermieden werden kann.

Ein **GEFAHRENSHINWEIS** wird nur dann gegeben, wenn eine bestimmte Handlung oder die Unterlassung einer bestimmten Handlung schwere oder tödliche Verletzungen zur Folge haben kann.



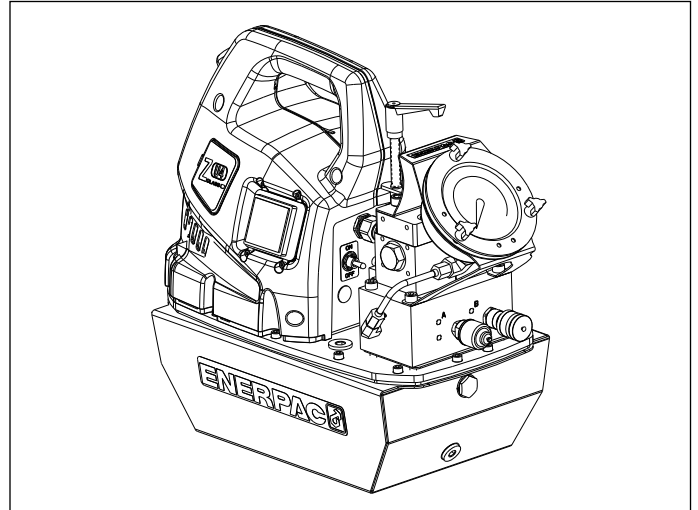
WARNUNG: Beim Betrieb hydraulischer Anlagen geeignete Schutzkleidung und -ausrüstung tragen.



WARNUNG: Von Lasten fernhalten, die durch ein Hydrauliksystem abgestützt werden. Ein als Lastenhebegerät eingesetzter Zylinder darf niemals als ein Lastenhalter verwendet werden. Nach Heben oder Senken der Last muß diese stets auf mechanische Weise gesichert werden.



WARNUNG ZUM SICHERN VON LASTEN STETS NUR STARRE TEILE VERWENDEN. Zum Abstützen von Lasten sorgfältig dazu geeignete Stahl- oder Holzblöcke auswählen. Bei Hebe- oder Drückenwendungen keinesfalls einen Hydraulikzylinder als Abstandsstück oder -halter verwenden.



GEFAHR: Zur Vermeidung von Verletzungen während des Betriebs Hände und Füße von Zylinder und Werkstück fernhalten.



WARNUNG: Der Systembetriebsdruck darf den zulässigen Nominaldruck der Systemkomponente mit der niedrigsten Nennleistung nicht überschreiten. Zur Überwachung des Betriebsdrucks sind Manometer im System zu installieren. Dies ist das Fenster zu den Abläufen im System.



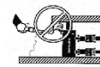
VORSICHT: Beschädigungen am Hydraulikschlauch vermeiden. Beim Verlegen der Hydraulikschläuche enge Bögen und Abknicken vermeiden. Der Einsatz eines gebogenen oder geknickten Schlauchs führt zu einem hohen Rückstau. Starke Biegungen und Knickstellen schädigen den Schlauch auf der Innenseite und führen zu dessen vorzeitigem Ausfall.



Keine schweren Gegenstände auf den Schlauch fallen lassen. Starke Erschütterungen können Schäden an den im Schlauchinnern verlaufenden Drahtlitzen verursachen. Ein Schlauch, auf den Druck ausgeübt wird, kann bersten.



WICHTIG: Hydraulische Geräte weder an den Schläuchen noch den Gelenkanschlüssen anheben. Dazu den Tragegriff oder eine andere sichere Transportmethode verwenden.



VORSICHT: Hydraulische Geräte von Flammen und Hitzequellen fernhalten. Zu hohe Temperaturen weichen Füllungen und Dichtungen auf und bewirken Flüssigkeitslecks. Große Hitze schwächt außerdem die Schlauchmaterialien und -dichtungen. Zur Gewährleistung einer optimalen Leistung darf die Anlage keinen Temperaturen über 65°C ausgesetzt werden. Außerdem müssen Schläuche und Zylinder beim Schweißen vor Funkenschlag geschützt werden.



GEFAHR: Do not handle pressurized hoses. Escaping oil under Nicht mit unter Druck stehenden Schläuchen hantieren. Unter Druck austretendes Öl kann in die Haut eindringen und schwere Verletzungen verursachen. Falls Öl unter die Haut gelangt, ist sofort ein Arzt aufzusuchen.



WARNUNG: Verwenden Sie hydraulische Drehmomentschlüssel nur bei einem gekuppelten System. Verwenden Sie einen Drehmomentschlüssel nie mit nicht verbundenen Kupplungen. Wenn der Drehmomentschlüssel extrem überlastet wird, können Komponenten katastrophal ausfallen und zu Verletzungen führen.



WICHTIG: Hydraulische Geräte müssen von einem qualifizierten Hydrauliktechniker gewartet werden. Bei Reparaturarbeiten an die autorisierte ENERPAC-Kundendienstzentrale der jeweiligen Region wenden. Zur Aufrechterhaltung der Garantie nur ENERPAC-Öl verwenden.



WARNUNG: Abgenutzte oder beschädigte Teile unverzüglich durch ENERPAC-Originalteile ersetzen. Standardteile anderer Hersteller versagen und verursachen Verletzungen und Sachschäden. ENERPAC-Teile werden so konstruiert, daß sie richtig passen und hohen Lasten standhalten.



WARNUNG: Betreiben Sie elektrische Pumpen nicht in explosionsgefährdeter Umgebung. Halten Sie alle lokalen und nationalen Elektrovorschriften ein. Die Installation und Konfiguration muss durch einen qualifizierten Elektriker erfolgen.



WARNUNG: Halten Sie die Hände fern von beweglichen Teilen und druckbelasteten Schläuchen.



WARNUNG: Die Pumpen besitzen im Werk voreingestellte Überdruckventile, die nur durch eine zugelassene Vertragswerkstatt von Enerpac repariert oder eingestellt werden dürfen.



VORSICHT: Prüfen Sie die Angaben und Daten auf der Motorenplatte, um Beschädigungen am Elektromotor der Pumpe zu vermeiden. Die Verwendung der falschen Stromversorgung führt zur Beschädigung des Motors.

3.0 TECHNISCHE DATEN

3.1 Leistungsdiagramm (siehe unten auf der Seite)

3.2 Volumenstrom-Diagramm (siehe Abb. 1):

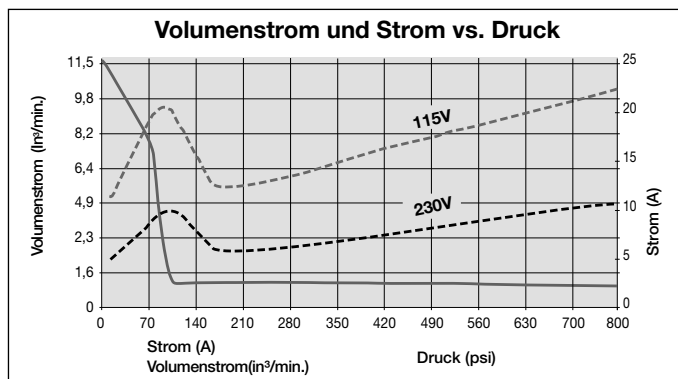


Abb. 1, Volumenstrom-Diagramm

▼ ZU4 Leistungsdiagramm

Motorleistung (kW)	Fördervolumen L/min				Elektrische Daten des Motors (Volts-Ph-Hz)	Geräuschpegel (dBA)	Einstellbereich des Druckbegrenzungsventils (bar)
	7 bar	50 bar	350 bar	700 bar			
1,25*	11,5	8,8	1,2	1,0	115-1-50/60 230-1-50/60	85-90	100-700 für Version „Q“ 100-800 für Version „E“

*Der tatsächliche Stromverbrauch hängt von der Anwendung ab. Siehe Abb. 1.

4.0 EINBAU

Bauen Sie die Pumpe so ein, dass die Luftströmung um den Motor und die Pumpe nicht behindert wird. Halten Sie den Motor sauber, um maximale Kühlung während des Betriebs sicherzustellen.

4.1 Entlüfterkappe und Öleinfüllstopfen (siehe Abb. 2 und 3)

Eine Transportsicherung (A) ist am Entlüfteranschluss oben auf dem Behälter angebracht. Ersetzen Sie vor der Verwendung der Pumpe den Transportstopfen (A) durch die Entlüfterkappe (B) und die Adapterschraubung (C). Hinweis: Die Öleinfüllöffnung befindet sich an der entgegengesetzten Seite der Pumpe. Die Öleinfüllöffnung verwendet einen Stopfen SAE Nr. 10 (D).

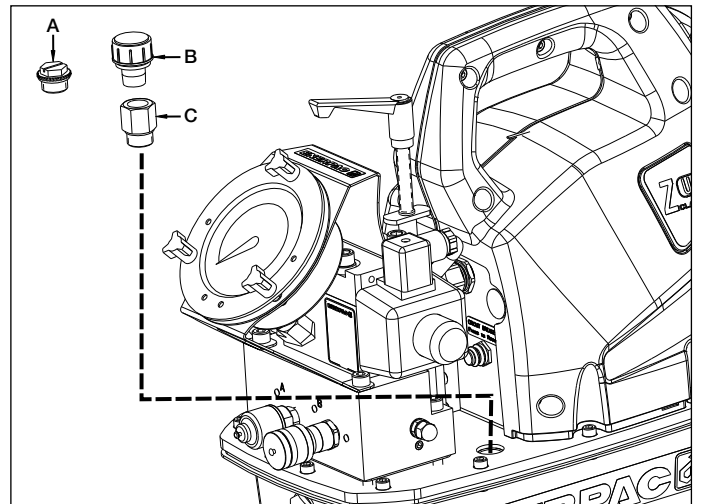


Abb. 2, Einbau des Entlüfters

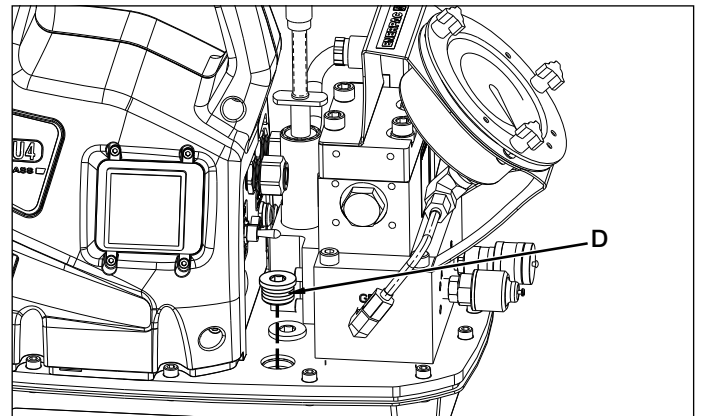


Abb. 3, Öleinfüllstopfen

4.2 Pumpenbefestigung (siehe Abb. 4)

In Abb. 3 finden Sie die Abmessungen für die Befestigung der Pumpe auf einer festen Fläche.

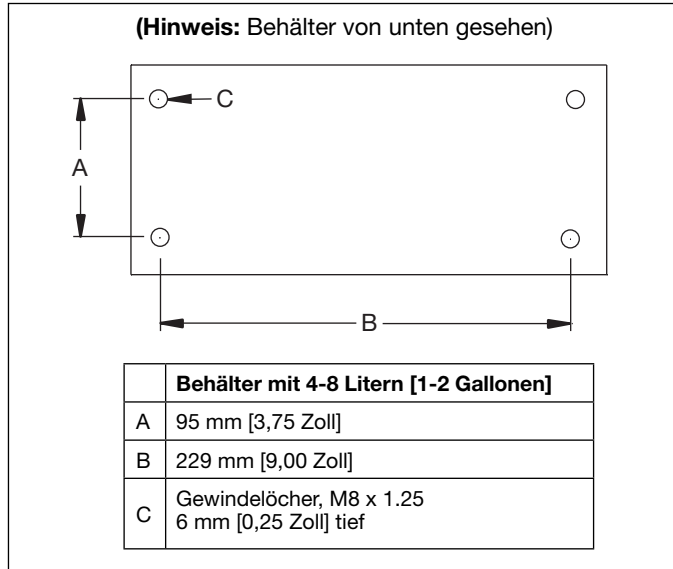


Abb. 4, Elektrische Anschlüsse

4.3 Electrical Connections

DIE PUMPE IST WERKSEITIG MIT EINEM NORMALEN STECKER FÜR EINE BESTIMMTE SPANNUNG AUSGESTATTET. EINE ÄNDERUNG DES STECKERTYPS SOLLTE NUR DURCH EINEN QUALIFIZIERTEN TECHNIKER UNTER EINHALTUNG ALLER GELTENDEN REGIONALEN UND NATIONALEN VORSCHRIFTEN ERFOLGEN.

1. Der Abschalt- und Leitungsschutz muss vom Kunden bereitgestellt werden. Der Leitungsschutz muss bei 115% des Vollaststroms des Motors bei maximalem Druck der Anwendung liegen (siehe Abb. 1).
2. Weitere Informationen siehe Nennleistung auf dem Typenschild der Pumpe.

4.4 Ölstand

Überprüfen Sie den Ölstand der Pumpe vor dem Start. Geben Sie nötigenfalls Öl hinzu, indem Sie den Stopfen SAE Nr. 10 von der Abdeckplatte entfernen (siehe Abb. 3). Der Behälter ist voll, wenn der Ölstand dem in Abb. 5 entspricht.

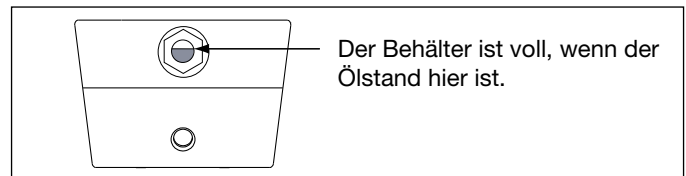


Abb. 5, Sichtglas

Wichtig: Fügen Sie nur Öl hinzu, wenn alle Systemkomponenten vollständig zurückgefahren sind, oder das System enthält mehr Öl als der Behälter fassen kann.

4.5 Hydraulikschläuche anschließen

Schließen Sie die Schläuche wie in Abb. 6 dargestellt an.

1. (-E) Pumpentyp für Enerpac SQD- und HXD-Drehmomentschlüssel: Achten Sie darauf, Schläuche mit der Kennzeichnung „Enerpac THS-700 Series – 800 Bar/11,600 psi max.“ zu verwenden. Die Kupplungen an diesen Schläuchen sind werkseitig „polarisiert“, um einen ordnungsgemäßen Einsatz des Steckschlüssels zu gewährleisten.
 - A. Schlauch und Steckschlüssel-Innengewindekupplungen. Ziehen Sie die Kupplungs-Sicherheitsverschlussringe mit Gewinde handfest an, es sind keine Werkzeuge erforderlich.
 - B. Die Innengewindekupplungen der (-E) Pumpe sind selbstsichernd. Drücken Sie die passenden Kupplungen zusammen, bis der Kupplungs-Sicherheitsverschlussring nach vorne einrastet. Drehen Sie zum Trennen den Kupplungs-Sicherheitsverschlussring im Uhrzeigersinn und drücken Sie ihn vom Anschluss weg.
2. (-Q) Pumpentyp für Enerpac S und W Drehmomentschlüssel und andere Marken: Verwenden Sie Schläuche, die mit „Enerpac THQ-700 series - 700 bar/10,000 psi max.“ gekennzeichnet sind. Für den ordnungsgemäßen Steckschlüsseinsatz müssen Kupplungen wie in Abb. 5 polarisiert sein. Stellen Sie vor Inbetriebnahme sicher, dass die Kupplungen vollständig eingerastet und angezogen sind. Teilweises Einrasten der Kupplungen verhindert ordnungsgemäßen Steckschlüsseinsatz.



WARNUNG: WStellen Sie bei der Verwendung von (-Q) Pumpen mit Verteilern mit mehreren Steckschlüsseln sicher, dass alle nicht verwendeten Kupplungen Schutzkappen haben, bevor Sie die Pumpe starten.

Hinweis: Wenn der Steckschlüssel zuerst an die Pumpe angeschlossen wird, wird Luft im Hydraulikkreislauf gefangen. Entfernen Sie die Luft, indem Sie den Steckschlüssel positionieren und die Schläuche unter der Pumpe begradigen, betätigen Sie den Steckschlüssel ohne Last, bis er sich ohne Stottern dreht.

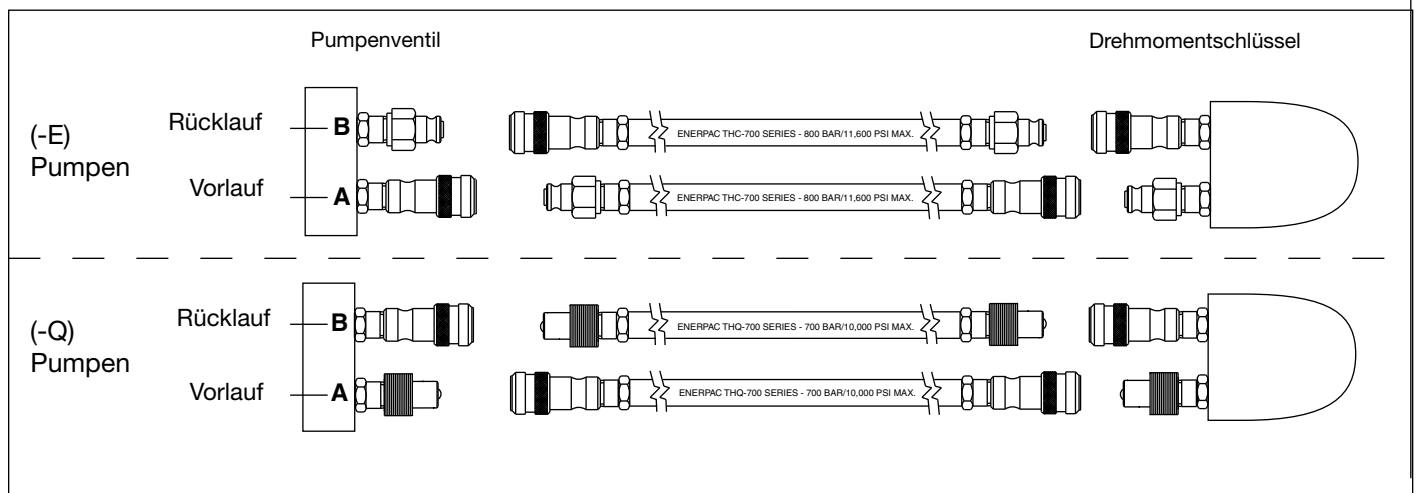


Abb. 6, Schlauchdetails

5.0 BETRIEB

5.1 Ein/Aus-Schalter der Pumpe (siehe Abb. 7)

Positionen des Ein/Aus-Schalters:

1. EIN – Pumpe wird von der Fernbedienung gesteuert. Pumpe startet, wenn die Taste „ON/ADV“ auf der Fernbedienung gedrückt wird.
2. AUS – Fernbedienung deaktiviert. Pumpe startet nicht, wenn die Taste „ON/ADV“ auf der Fernbedienung gedrückt wird.

Lasttrennschalter: Falls ausgelöst, Taste zum Zurücksetzen drücken.

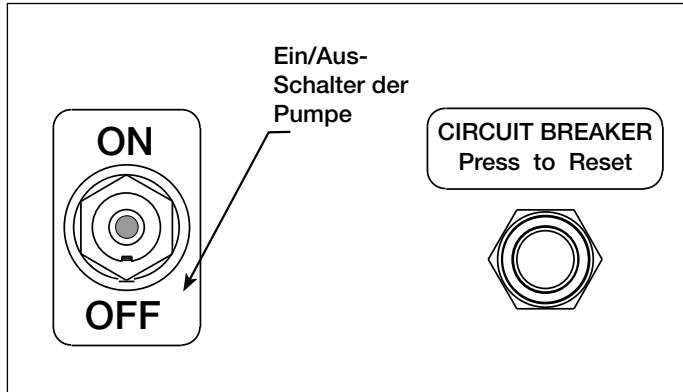


Abb. 7, Pumpenbedienfeld

5.2 Fernbedienungsbetrieb (siehe Abb. 8)

1. „ON/ADV“-Taste der Fernbedienung:
 - Taste gedrückt – Motor schaltet sich EIN. Schlüssel bewegt sich vorwärts, so lange die Taste gedrückt gehalten wird.
 - Taste losgelassen – Schlüssel bewegt sich rückwärts. Motor läuft bis zu 20 Sekunden lang weiter.
2. Taste „OFF“ der Fernbedienung
 - Taste gedrückt – Motor schaltet sich sofort AUS.

Hinweis: Eine sofortige Motorabschaltung erfolgt, wenn der Ein/Aus-Schalter der Pumpe auf AUS gestellt wird, während die Pumpe läuft.

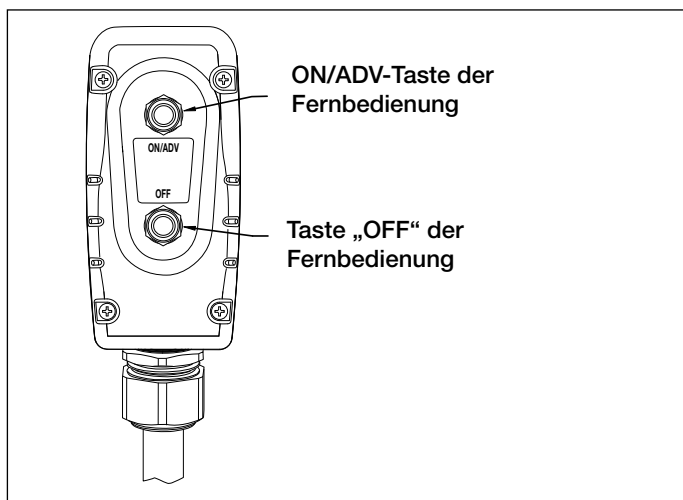


Abb. 8, Tasten der Fernbedienung

5.3 Pumpenbetrieb

WICHTIG: : Wenn möglich, sollte ein einzelner Benutzer den Drehmomentschlüssel und die Pumpe betätigen. Dies kann eine versehentliche Aktivierung, während der Bediener den Schlüssel positioniert, verhindern.

1. Überprüfen Sie alle Systemverschraubungen und Anschlüsse, um sicherzustellen, dass sie fest und dicht sind.

2. Überprüfen Sie den Ölstand im Behälter und fügen Sie nötigenfalls Öl hinzu. (Siehe Abschnitt 4.4)
3. Entlüfterkappe montiert wurde (Siehe Abschnitt 4.1)
4. Schließen Sie das Gerät an den Strom an. Stellen Sie den Ein/Aus-Schalter der Pumpe auf EIN. Siehe Abb. 7.



WARNUNG: Im folgenden Schritt startet der Pumpenmotor und das Ventil verstellt sich automatisch und bewegt den Drehmomentschlüssel zurück. Überprüfen Sie vor dem Starten des Motors, ob der Drehmomentschlüssel so positioniert ist, dass Verletzungen oder Schäden am Gerät vermieden werden.

5. Um die Pumpe zu starten, drücken Sie die „ON/ADV“-Taste auf der Fernbedienung. Siehe Abb. 8. Der Motor startet automatisch und der Schlüssel läuft vorwärts. Der Schlüssel bewegt sich weiter vorwärts, solange die Taste gedrückt wird.
6. Lassen Sie die „ON/ADV“-Taste los, um den Schlüssel rückwärts zu bewegen. Wenn die Taste losgelassen wird, zeigt das Manometer den Druck im Rücklaufkreislauf (B-Anschlussumgehung), ungefähr 173 – 193 bar [2500 – 2800].
7. Drücken Sie die „OFF/DUMP“-Taste, um den Motor zu stoppen.

Hinweis: Wenn die „ON/ADV“-Taste 20 Sekunden lang nicht gedrückt wird, schaltet der integrierte Timer der Pumpe den Motor automatisch aus.

5.4 Verringern des Drucks

So verringern Sie den hydraulischen Druck auf das Verschraubungsgerät und die Schläuche:

- Halten Sie die Taste „OFF“ gedrückt. Siehe Abb. 9.
- Halten Sie die Taste „OFF“ weiterhin gedrückt und drücken Sie die Taste „ON/ADV“ dreimal oder öfter, bis das Manometer 0 bar/psi anzeigt. Die Schläuche können jetzt entfernt werden.

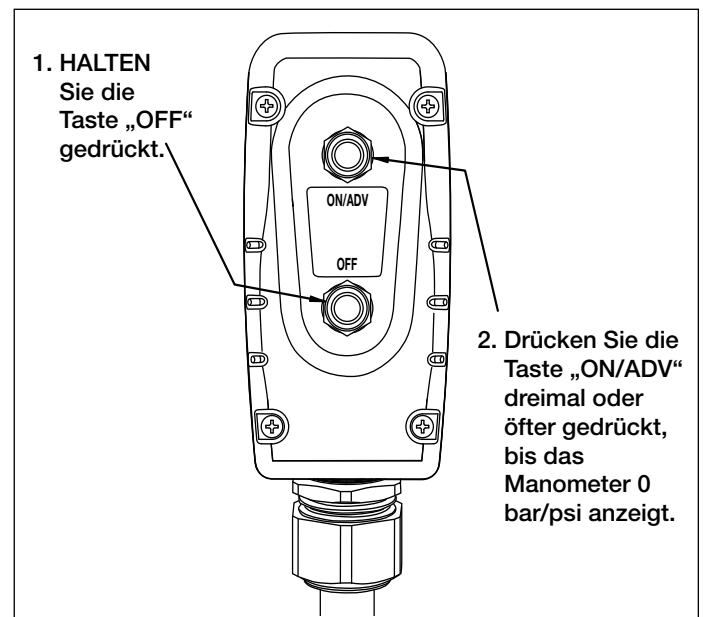


Abb. 9, Verringern des Drucks

5.5 Manometer und Auflagenbetriebsverfahren

Die Pumpe wird mit einem eingebauten Manometer geliefert. Für Ihre Bequemlichkeit werden Drehmomentauflagen mit jeder Pumpe geliefert. Eine Drehmomentauflage passt über die Skala des Manometers und wandelt die Druckanzeigen problemlos in Drehmomentanzeigen um (siehe Abb. 10, Ansicht A). Die Auflage hat englische Maßeinheiten (Ft-Lbs.) auf einer Seite und metrische Maßeinheiten (Nm) auf der anderen Seite. Um die Skalen zu wechseln, drehen Sie die Auflage einfach um.



WARNUNG: Jede Auflage ist NUR für einen bestimmten Enerpac-Drehmomentschlüssel ausgelegt. Verwenden Sie sie nicht mit anderen Schüsseln.

5.6 Ändern der Auflage

1. Entfernen Sie die drei schwarzen Flügelknöpfe, die den vorderen Manometerflansch halten (siehe Abb. 10, Ansicht B).
2. Entfernen Sie den vorderen Flansch und die Auflage (siehe Abb. 10, Ansicht C).
3. Setzen Sie eine neue Auflage (denken Sie daran, zu überprüfen, ob es die richtige Auflage für den verwendeten Enerpac-Drehmomentschlüssel ist) auf den Flansch und richten Sie dabei die Auflage mit den Vertiefungen an der Rückseite des Flansches aus (siehe Abb. 10, Ansicht D).
4. Stecken Sie den Flansch auf die Knopfstifte, während Sie die Auflage hinter den Flansch halten (siehe Abb. 10, Ansicht C), positionieren Sie die Auflage bei Bedarf neu und befestigen Sie die Knöpfe handfest (siehe Abb. 10, Ansicht B). Der Flansch drückt die Auflage auf das Manometer und befestigt sie. In der Anleitung zum Drehmomentschlüssel finden Sie den Druck, der erforderlich ist, um das gewünschte Drehmoment zu produzieren. Beachten Sie, dass der maximale Druck sich für verschiedene Schlüssel und Zubehörteile unterscheidet.



ACHTUNG: Sehen Sie weg oder Bedienungsvorverfahren des Schlüssels in der Anleitung zum Drehmomentschlüssel nach.

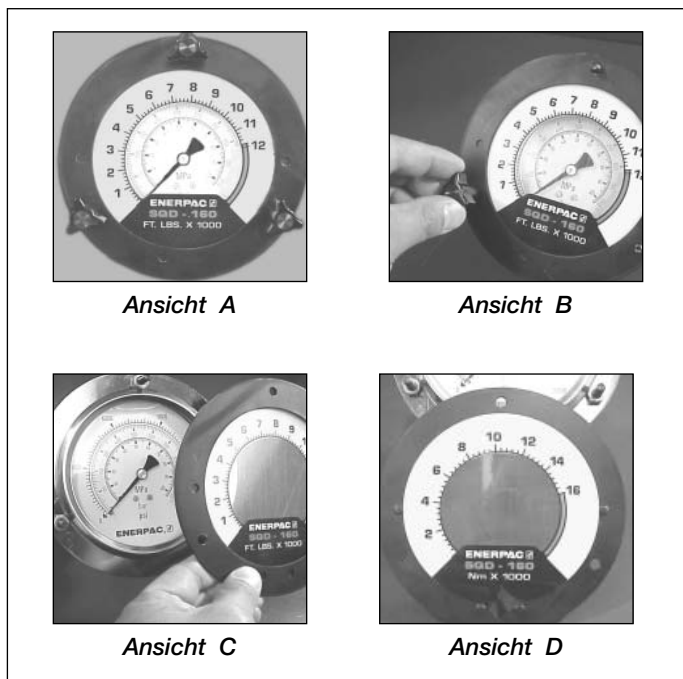


Abb. 10, Anbringen der Auflage

5.7 Druck- (Drehmoment-) Einstellung



WARNUNG: Führen Sie diese Einstellungen durch, BEVOR Sie den Drehmomentschlüssel an einer Mutter oder einem Schraubenkopf ansetzen. Die Pumpendruckeinstellung kann über dem Druck liegen, der nötig ist, um das erforderliche Drehmoment für Ihre Anwendung zu liefern. Das Überschreiten des erforderlichen Drehmoments verursacht Schäden am Gerät und kann zu schweren Verletzungen führen.

Um den Vorlaufdruck auf den Drehmomentschlüssel zu begrenzen, stellen Sie das Überdruckventil wie im Folgenden beschrieben ein. Siehe Abb. 11.

1. Lösen Sie die Feststellmutter des Überdruckventils.
2. Drehen Sie den Griff des Überdruckventils nach Bedarf entgegen dem Uhrzeigersinn, bis Sie beim Drehen nur noch wenig oder keinen Widerstand spüren. Dann ist das Ventil bei der niedrigsten Einstellung.
Hinweis: Der Griff des Überdruckventils kann nur um zwei Drittel einer ganzen Umdrehung gedreht werden. Wenn die Drehung stoppt, ziehen Sie zum Griff, um ihn zu lösen. Bringen Sie den Griff dann in eine neue Position und lassen Sie ihn wieder einrasten, um eine weitere Einstellung (nach Bedarf) zu ermögl
3. Stellen Sie den Ein/Aus-Schalter der Pumpe auf EIN.
4. Halten Sie die Taste „ON/ADV“ an der Fernbedienung gedrückt. Der Motor startet und Druck wird am A-Anschluss des Vorlaufkreislaufes aufgebaut.
5. Halten Sie die Taste „ON/ADV“ weiter gedrückt und drehen Sie den Griff des Überdruckventils LANGSAM im Uhrzeigersinn, bis der Druck auf die gewünschte Einstellung steigt.
6. Lassen Sie die Taste „ON/ADV“ los, damit der Systemdruck zur RücklaufEinstellung des B-Anschlusses zurückkehren kann. Der Motor läuft weiter.
7. Halten Sie die Taste „ON/ADV“ erneut gedrückt, um die DruckEinstellung im Vorlaufkreislauf erneut zu prüfen. Überprüfen Sie, ob der gewünschte Druck auf dem Manometer angezeigt wird.
8. Nachdem die gewünschte DruckEinstellung erreicht ist, ziehen Sie die Feststellmutter des Überdruckventils an.

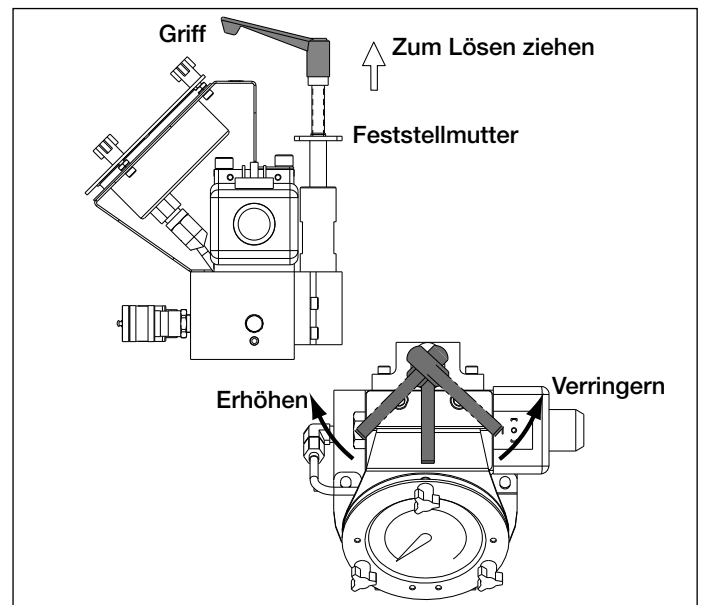


Abb. 11, Einstellung des Überdruckventils

6.0 WARTUNG

Überprüfen Sie alle Systemkomponenten regelmäßig auf Lecks und Schäden. Reparieren oder ersetzen Sie beschädigte Komponenten. Elektrische Komponenten, beispielsweise das Netzkabel, dürfen nur von einem qualifizierten Elektriker repariert und ausgetauscht werden, der alle geltenden örtlichen und nationalen Vorschriften einhält.

6.1 Ölstand überprüfen

Überprüfen Sie den Ölstand der Pumpe vor dem Starten und fügen Sie nötigenfalls Öl hinzu, nachdem Sie den Einfüllöffnungsstopfen entfernt haben. Siehe Abb. 3 und 5. Achten Sie immer darauf, dass der Drehmomentschlüssel vollständig zurückgezogen sind, bevor Sie Öl im Behälter hinzufügen.

6.2 Öl wechseln und Behälter reinigen

Enerpac HF-Öl hat eine klare blaue Farbe. Überprüfen Sie den Ölzustand regelmäßig auf Verunreinigung, indem Sie das Pumpenöl mit neuem Enerpac-Öl vergleichen. Als allgemeine Regel gilt, dass Sie den Behälter alle 250 Stunden entleeren und reinigen sollten. Es sollte häufiger geschehen, wenn die Pumpe in schmutzigen Umgebungen eingesetzt wird.

HINWEIS: Für dieses Verfahren müssen Sie die Pumpe vom Behälter entfernen. Arbeiten Sie an einer sauberen Werkbank und entsorgen Sie das Altöl gemäß den örtlichen Vorschriften.

1. Entfernen Sie die Ölablassschraube und lassen Sie das gesamte Öl aus dem Behälter ab. Reinigen Sie die Ölablassschraube und bauen Sie sie wieder ein.
2. Lösen Sie die 13 Schrauben, die die Abdeckplatte des Behälters halten, und heben Sie die Pumpe aus dem Behälter. Achten Sie dabei darauf, das Filtersieb nicht zu beschädigen.
3. Reinigen Sie den Behälter und den Behältermagneten (falls vorhanden) sorgfältig mit einem geeigneten Reinigungsmittel.
4. Entfernen Sie das Aufnahmefiltersieb für die Reinigung. (Ziehen Sie nicht am Sieb oder unten am Einlass, um mögliche Schäden zu vermeiden.) Reinigen Sie das Sieb mit Lösungsmittel und einer weichen Bürste. Bauen Sie es wieder ein.
5. Bauen Sie die Pumpe und den Behälter wieder zusammen und installieren Sie dabei eine neue Behälterdichtung.
6. Füllen Sie den Behälter mit sauberem Enerpac-Hydrauliköl. Der Behälter ist voll, wenn der Ölstand dem in Abb. 5 entspricht.

6.3 Austausch der Motorbürste

Um Motorschäden zu verhindern, hat die ZU4 Motorbürste einen automatischen Motorstopp, wenn eine der Bürstenkohlen auf eine Länge von 6 mm [0,25"] abgenutzt ist. Überprüfen Sie beide Bürsten.

1. Trennen Sie die Pumpe vom elektrischen Strom



GEFAHR: Um Stromschläge zu vermeiden, muss die Pumpe vollständig vom Stromnetz getrennt werden, bevor Reparaturarbeiten durchgeführt werden.

2. Entfernen Sie beide Bürstenkappen (A), indem Sie die Bürstenkappenverriegelung biegen (B) und vorsichtig nach außen bewegen (siehe Abb. 12).
3. Entfernen Sie die Motorbürsten, indem Sie die schwarze Kappe entgegen dem Uhrzeigersinn drehen.
4. Setzen Sie beide Bürsten wieder ein und führen Sie zum Zusammensetzen das Verfahren umgekehrt durch.

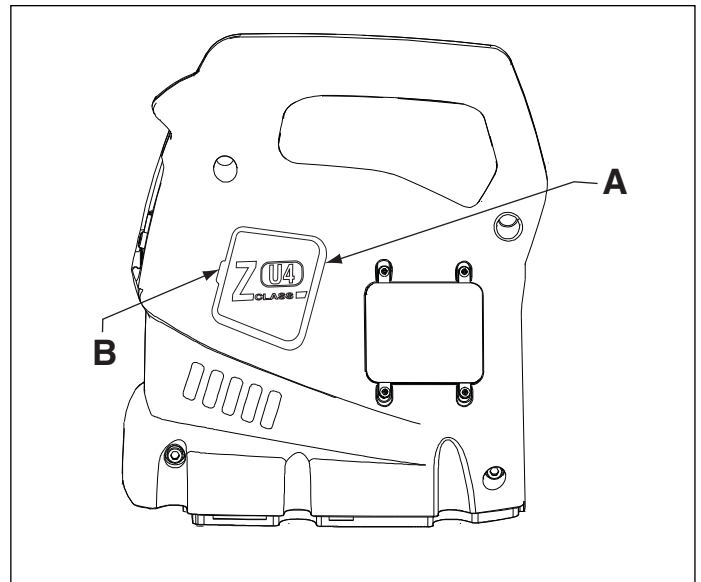


Figure 12, Schaltplan – ZU4-Pumpe

A. Bürstenkappe B. Bürstenkappenverriegelung

7.0 FEHLERBEHEBUNG (Siehe Fehlerbehebungsleitfaden)

Nur qualifizierte Hydrauliktechniker sollten die Pumpe oder Systemkomponenten warten und reparieren. Ein Systemausfall kann das Ergebnis einer Fehlfunktion der Pumpe sein oder auch nicht. Um die Ursache des Problems festzustellen, muss das vollständige System in das Diagnoseverfahren einbezogen werden.

Die folgenden Informationen sind nur als Hilfe gedacht, um festzustellen, ob ein Problem vorliegt. Wenden Sie sich für die Reparatur an Ihr autorisiertes Enerpac-Servicecenter vor Ort.

Fehlerbehebungsleitfaden		
Problem	Mögliche Ursache	Maßnahme
Pumpe startet nicht, wenn die Taste „ON/ADV“ gedrückt wird	Kein Strom	Strom anschließen
	Ein/Aus-Schalter der Pumpe ist in der Position „OFF“	Schalter in die Position „ON“ stellen
	Lasttrennschalter löst aus	Lasttrennschalter drücken
	Unterspannung	Andere elektrische Lasten abschalten UStärkeres Messgerätverlängerungskabel verwenden
	Motorbürsten am Ende der Lebensdauer abgenutzt	Siehe Abschnitt 6.3 Austausch der Motorbürste
	Fernbedienung beschädigt	Fernbedienung reparieren Wenden Sie sich an ein autorisiertes Servicecenter
Motor stoppt unter Last	Unterspannung	Andere elektrische Lasten abschalten UStärkeres Messgerätverlängerungskabel verwenden
Elektrisches Ventil funktioniert nicht	Kein Strom an der Pumpe oder falsche Spannung	An richtige Stromquelle gemäß dem Typenschild der Pumpe anschließen
	Magnetventilkabel getrennt oder beschädigt	Kabel anschließen, reparieren oder austauschen
	Magnetventilspule nicht funktionsfähig	Wenden Sie sich an ein autorisiertes Servicecenter
	Ventil falsch eingestellt	Wenden Sie sich an ein autorisiertes Servicecenter
Die Pumpe baut keinen oder weniger als den vollen Druck auf	Niedriger Ölstand	Öl gemäß Abschnitt 4.4 hinzufügen
	Überdruckventil zu niedrig eingestellt	Gemäß Abschnitt 5.7 einstellen
	Externes Systemleck	Überprüfen und reparieren oder austauschen
	Internes Leck in der Pumpe	Wenden Sie sich an ein autorisiertes Servicecenter
	Internes Leck im Ventil	
	Internes Leck in einer Systemkomponente	
Die Pumpe baut den vollständigen Druck auf, aber der Drehmomentschlüssel bewegt sich nicht vorwärts	Drehmoment größer als die Steckschlüsselkapazität bei vollem Druck	Drehmomentschlüssel mit größerer Kapazität verwenden
	Vorlauffluss zum Steckschlüssel eingeschränkt oder blockiert	Überprüfen, ob die Kupplungen wie in Abschnitt 4.5 angegeben vollständig eingerastet sind
Der Drehmomentschlüssel bewegt sich nicht rückwärts	Rückflussleitung eingeschränkt oder blockiert	Kupplungen auf vollständiges Einrasten überprüfen Motor beim Zurückziehen laufen lassen
	Ventilfehlfunktion	Wenden Sie sich an ein autorisiertes Servicecenter
Nach Stoppen des Pumpenmotors sind die Schläuche noch unter Druck.	Druck nicht verringert	Verringern Sie den Druck wie in Abschnitt 5.4 angegeben.
Die Pumpe läuft heiß	Vorlauf oder Rücklauf eingeschränkt	Überprüfen, ob die Kupplungen wie in Abschnitt 4.5 angegeben vollständig eingerastet sind
	Hohe Umgebungstemperatur	Wärmetauscher einbauen

L2906 Rev. C 12/10

L'esplosione delle parti di ricambio per questo prodotto è ottenibile sul sito web www.enerpac.com, oppure chiamando il Centro Assistenza Autorizzato a voi più vicino, o il ns. ufficio commerciale.

1.0 ISTRUZIONI AL RICEVIMENTO

Controllare visivamente tutti i componenti per accertare eventuali danni derivanti dal trasporto. Se del caso, sporgere subito reclamo al trasportatore. I danni causati durante il trasporto non sono coperti dalla garanzia. Il trasportatore è responsabile degli stessi e deve rispondere di tutte le spese e costi per la rimessa in efficienza del materiale.

SICUREZZA ANZITUTTO

2.0 NORME SULLA SICUREZZA



Leggere attentamente tutte le istruzioni, le Precauzioni ed Avvertenze che si devono osservare durante l'impiego delle attrezzature. Rispettare tutte le norme di sicurezza per evitare infortuni alle persone e danni alle cose. L'ENERPAC non è responsabile per infortuni e danni causati dal mancato rispetto delle Norme di Sicurezza, dall'uso e dall'applicazione impropria del prodotto o dalla sua mancata manutenzione. In caso di dubbi sulla applicazione del prodotto o sulla Sicurezza, contattare l'ENERPAC. Se non si conoscono le Norme di Sicurezza per i Sistemi Oleodinamici ad Alta Pressione contattare l'ENERPAC o i suoi Rappresentanti per un corso gratuito di addestramento sulla Sicurezza.

L'inosservanza delle seguenti Norme di Sicurezza può causare infortuni alle persone e danni alle attrezzature.

PRECAUZIONE: Sta ad indicare la corretta procedura d'impiego o di manutenzione per evitare danni, anche irreparabili, dell'attrezzatura e delle cose circostanti.

AVVERTENZA: Sta ad indicare un potenziale pericolo che richiede l'osservanza della procedura per evitare infortuni alle persone.

PERICOLO: E' usato solo quando una azione od una mancata azione può provocare gravi infortuni se non la morte.



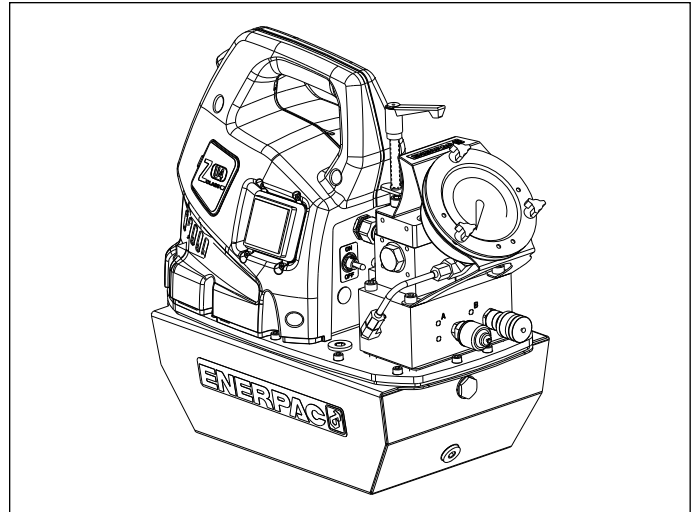
AVVERTENZA: Durante l'impiego delle attrezzature oleodinamiche usare sempre gli indumenti protettivi appropriati.



AVVERTENZA: Non sostare sotto ai carichi sorretti oleodinamicamente. Quando si impiega un cilindro, oleodinamico, per sollevare od abbassare un carico, non deve mai essere utilizzato come sostegno permanente. Dopo ogni operazione di sollevamento od abbassamento, assicurare il carico meccanicamente.



AVVERTENZA: IMPIEGARE SUPPORTI SOLIDI PER IL SOSTEGNO DEI CARICHI. Carefully select steel or wood blocks that are capable. Scegliere blocchi in acciaio o legno idonei a sostenere il carico. Non usare mai il cilindro oleodinamico come cuneo o spessore nelle operazioni di sollevamento o pressatura.



PERICOLO Per evitare lesioni personali, tenere mani e piedi lontano dai cilindri oleodinamici durante il loro impiego.



AVVERTENZA: La pressione max. di esercizio, in un circuito, non deve mai superare quella nominale del componente a pressione più bassa. Per controllare la pressione in un circuito, montare un manometro.



PRECAUZIONE: Evitare di danneggiare il tubo flessibile. Evitare curve strette e serpentine dei tubi flessibili. Curve troppo strette causano strozzature nella tubazione che possono dar luogo a pericolose contropressioni le quali ne compromettono la durata.



NON schiacciare i tubi flessibili. Lo schiacciamento od urto, con oggetti pesanti, possono danneggiare le spirali metalliche interne di rinforzo. Pressurizzare un tubo flessibile lesionato ne causa la rottura.



IMPORTANTE: Non usare il tubo flessibile od il giunto ruotante per sollevare le attrezzature. Servirsi delle maniglie di trasporto o di altri mezzi più sicuri.



PRECAUZIONE: Proteggere tutti i componenti oleodinamici da fonti di calore. Una temperatura elevata ammorbidisce le tenute, le guarnizioni ed il tubo flessibile, dando origine a perdite d'olio. Per un corretto funzionamento la temperatura dell'olio non deve superare i 65 °C. Proteggere i tubi flessibili ed i cilindri dagli spruzzi di saldatura.



PERICOLO: Non maneggiare i tubi flessibili sotto pressione. Spruzzi d'olio sotto pressione perforano la pelle causando serie complicazioni. Se l'olio è penetrato sotto pelle, consultare immediatamente un Medico.



AVVERTENZA: usare solo chiavi torsionometriche idrauliche in un sistema accoppiato. Non usare mai chiavi torsionometriche con accoppiatori non collegati. Se la chiave torsionometrica viene eccessivamente caricata, i componenti

possono collassare in modo catastrofico causando ferimenti personali pesanti.



IMPORTANTE: La manutenzione delle attrezzature oleodinamiche deve essere affidata solo a tecnici qualificati. Per il servizio di assistenza tecnica, rivolgersi al Centro Assistenza Autorizzato ENERPAC di zona. Per salvaguardare la Vostra garanzia, usare solo olio ENERPAC.



AVVERTENZA: Sostituire immediatamente le parti usurate o danneggiate con ricambi originali ENERPAC. Le parti usurate si potrebbero rompere, causando lesioni alle persone e danni alle cose.



ATTENZIONE: Non impiegare le pompe con motore elettrico in ambienti a rischio d'esplosione. Rispettare la Normativa Nazionale vigente in materia di Antideflagranza. Le modifiche e l'installazione devono essere effettuate da un elettricista qualificato.



ATTENZIONE: Tenere le mani distanti dalle parti in movimento e dai tubi flessibili in pressione.



ATTENZIONE: Queste centraline sono dotate di valvole limitatrici di pressione tarate dal costruttore. Per la loro riparazione o taratura rivolgersi esclusivamente ad un Centro Assistenza autorizzato ENERPAC.



AVVERTENZA: allo scopo di impedire danni al motore elettrico della pompa, controllare le specifiche. L'uso di una sorgente di alimentazione non corretta danneggia il motore.

3.0 SPECIFICHE

3.1 Diagramma delle prestazioni) (vedere in fondo alla pagina)

3.2 Diagramma di flusso (vedere figura 1):

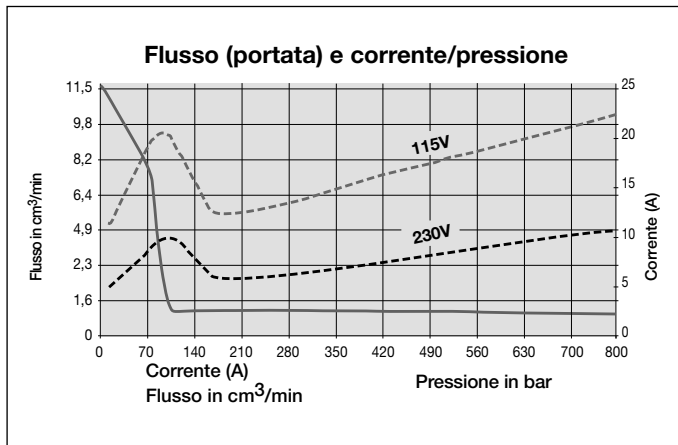


Figura 1, Diagramma di flussot

▼ ZU4 Diagramma delle prestazioni

Potenza motore (hp)	Portata in ³ /min				Specifiche elettriche del motore (Volts-Ph-Hz)	Livello sonoro (dBA)	Gamma di regolazione della valvola di scarico bar
	7 bar (100 psi)	50 bar (700 psi)	350 bar (5,000 psi)	700 bar (10,000 psi)			
1.7*	42,7 (700)	32,66 (535)	4,6 (76)	3,66 (60)	115-1-50/60 230-1-50/60	85-90	98,5-704 per la versione "Q" 98,5-816 per la versione "E"

*L'effettivo consumo del motore dipende dall'applicazione. Vedere la figura 1.

4.0 INSTALLAZIONE

Installare o posizionare la pompa in modo da assicurare che il flusso dell'aria attorno al motore non sia ostacolato.

4.1 Cappuccio sfiatoio e tappo riempimento olio (vedere le Figure 2 e 3)

Un tappo (A) viene installato solo per la spedizione nella parte superiore del serbatoio. Prima di usare la pompa, sostituire il tappo (A) usato per la spedizione con il cappuccio sfiatoio (B) ed il raccordo adattatore (C). Nota: il foro di riempimento dell'olio è situato dal lato opposto della pompa. Il raccordo di riempimento dell'olio usa un tappo (D) SAE #10

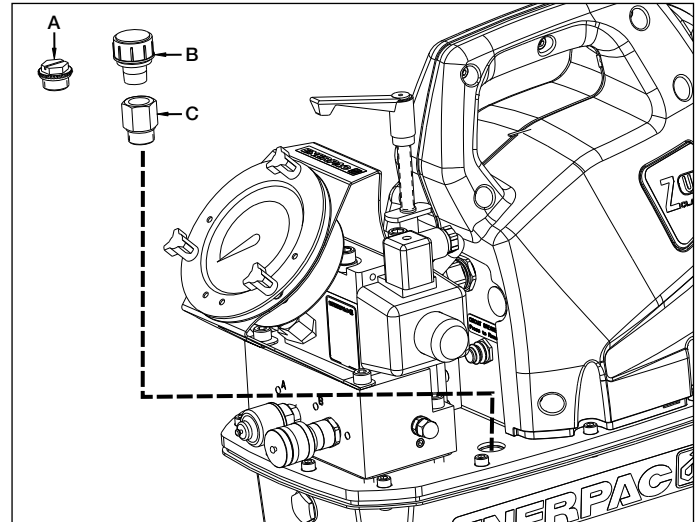


Figura 2, Installazione sfiatoio

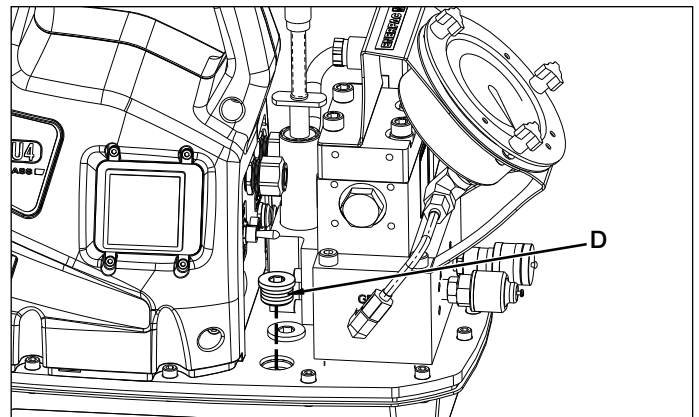


Figura 3, Tappo riempimento olio

4.2 Montaggio della pompa (vedere figura 4)

Fare riferimento alla figura 3 per le dimensioni di montaggio per fissare la pompa ad una superficie fissa.

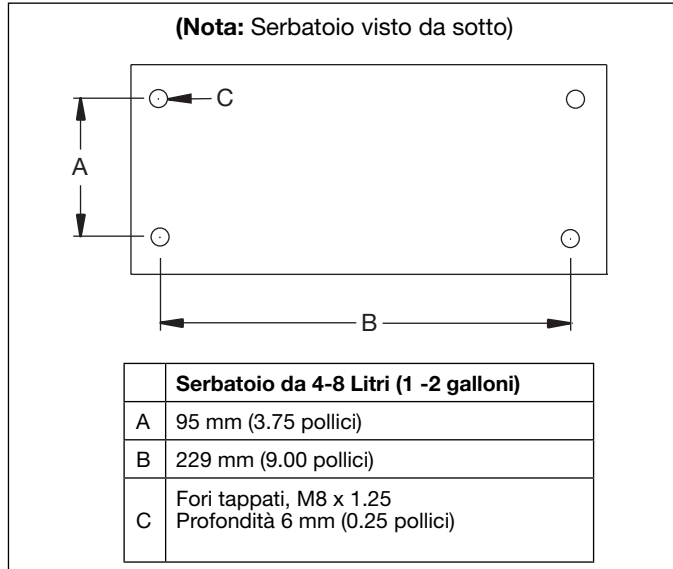


Figura 4, Dimensioni di montaggio

4.3 Collegamenti elettrici

LA POMPA E' EQUIPAGGIATA IN FABBRICA CON UNA SPINA ELETTRICA DI TIPO COMUNE PER UNA DATA TENSIONE. IL CAMBIO EVENTUALE DELLA SPINA PUO' ESSERE FATTO SOLTANTO DA UN ELETTRICISTA QUALIFICATO, IN CONFORMITA' A TUTTE LE NORME ELETTRICHE LOCALI E NAZIONALI IN VIGORE.

1. La protezione del collegamento e del circuito di linea deve essere fornita dal cliente deve essere del 115 % della corrente a pieno carico del motore alla pressione massima di funzionamento.
2. Per maggiori informazioni, fare riferimento alla targhetta dei dati tecnici per i dati di potenza.

4.4 Livello dell'olio

Controllare il livello dell'olio prima di avviare la pompa; aggiungere olio, se necessario, togliendo il tappo SAE #10 dalla piastra di copertura (vedere figura 3). Il serbatoio è pieno, quando il livello dell'olio è come mostrato in figura 5.

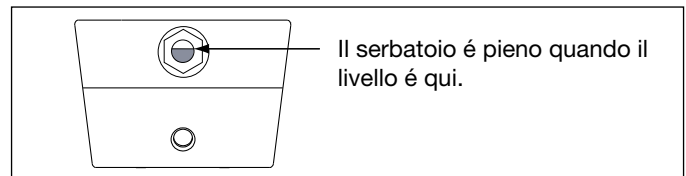


Figura 5, Vetro spia dell'olio

IMPORTANTE: Aggiungere olio solo quando tutti i componenti del sistema sono ritornati a riposo, altrimenti il sistema conterrebbe più olio di quanto ce ne possa stare.

4.5 Collegare i tubi flessibili idraulici

Collegare i tubi flessibili come mostrato in figura 6.

1. Tipo di pompa (-E) per le chiavi torsiometriche SOD e HXD. Accertarsi di usare i tubi flessibili marcati "Enerpac THC-700 Series - 800 bar/11,600 psi max.". Gli accoppiatori di questi tubi flessibili sono "polarizzati" in fabbrica per assicurare il corretto funzionamento della chiave torsiometrica.
 - A. Accoppiatori femmina per chiave torsiometrica e tubo flessibile. Stringere a mano gli anelli di bloccaggio dell'accoppiatore filettato, non sono necessari attrezzi.
 - B. Gli accoppiatori femmina della pompa (-E) sono autobloccanti, premere assieme gli accoppiatori combacianti fino a che l'anello di bloccaggio scatti in avanti. Per scollegare, torcere l'anello di bloccaggio dell'accoppiatore in senso orario e tirarlo via dall'accoppiamento.
2. Pompa (-Q) per le chiavi torsiometriche S e W dell'Enerpac e di altre marche. Usare i tubi flessibili marcati "Enerpac THQ-700 series - 700 bar/10,000 psi max." Gli accoppiatori debbono essere polarizzati come in figura 5 per il corretto funzionamento della chiave torsiometrica. Accertarsi che gli accoppiatori siano completamente inseriti e stretti prima di lavorare. Un inserimento solo parziale dell'accoppiatore impedirà il corretto funzionamento della chiave torsiometrica.



ATTENZIONE: Quando si usano le pompe (-Q) con dei collettori per chiavi multiple, accertarsi che tutti gli accoppiatori non utilizzati abbiano i cappucci protettivi completamente installati prima di avviare la pompa.

Nota: Quando la chiave è collegata alla pompa, rimarrà dell'aria intrappolata nel circuito idraulico. Spurgare l'aria ponendo la chiave torsiometrica ed i tubi flessibili stesi e raddrizzati al di sotto della pompa, fare funzionare la chiave torsiometrica senza carico fino a che ruoti senza esitazione.

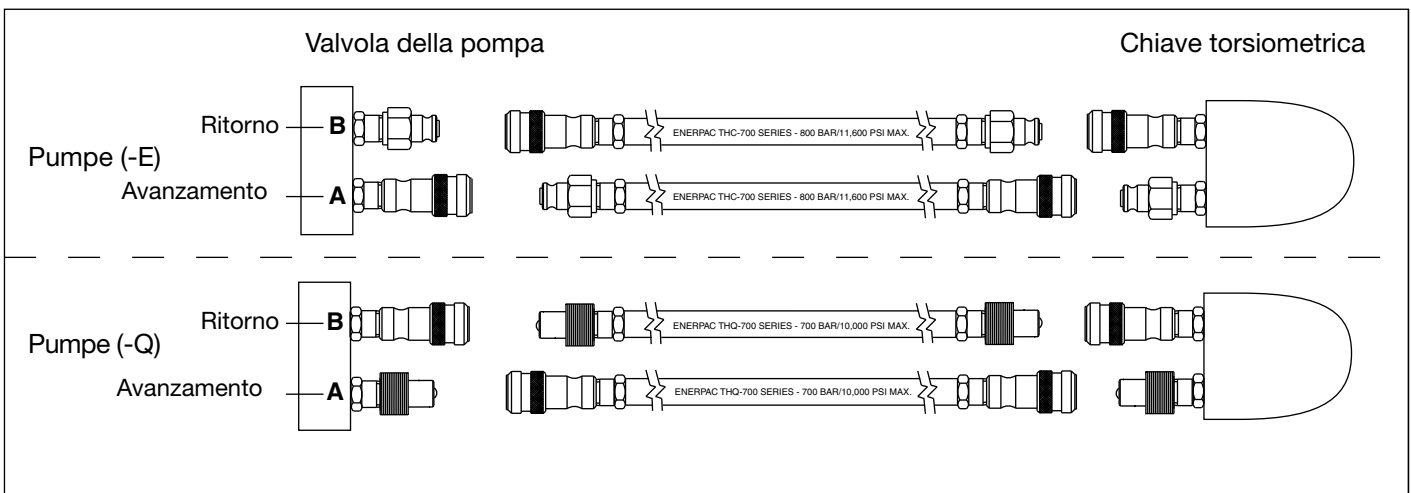


Figura 6 Dettagli del tubo flessibile

5.0 FUNZIONAMENTO

5.1 Interruttore On-Off della pompa (vedere figura 7)

Posizioni On-Off dell'interruttore:

1. ON – Pompa comandata con una tastierina pensile. La pompa si avvia quando si preme il pulsante ON/ADV.
2. OFF – Tastierina pensile disabilitata. La pompa non si avvia quando si preme il pulsante ON/ADV.

Interruttore automatico del circuito. Se è scattato, premere il pulsante di resettaggio.

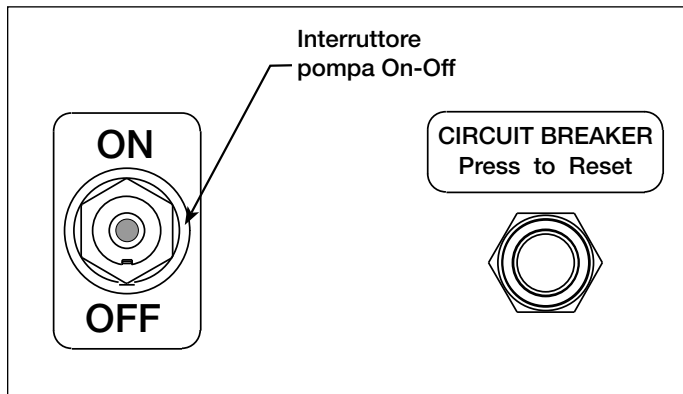


Figura 7, Pannello di comando della pompa

5.2 Funzionamento della tastierina (vedere figura 8)

1. Pulsante ON/ADV della tastierina:
 - Pulsante premuto – Il motore si commuta su ON. La chiave torsionometrica AVANZA fino a che si tiene premuto il pulsante.
 - Pulsante rilasciato – La chiave torsionometrica RITORNA. Il motore continua a girare per ulteriori 20 secondi.
2. Tastierina pulsante OFF
 - Pulsante premuto – Il motore commuta su OFF immediatamente.

Nota: l'immediato arresto della pompa si verifica se l'interruttore on-off della pompa viene spostato su OFF.

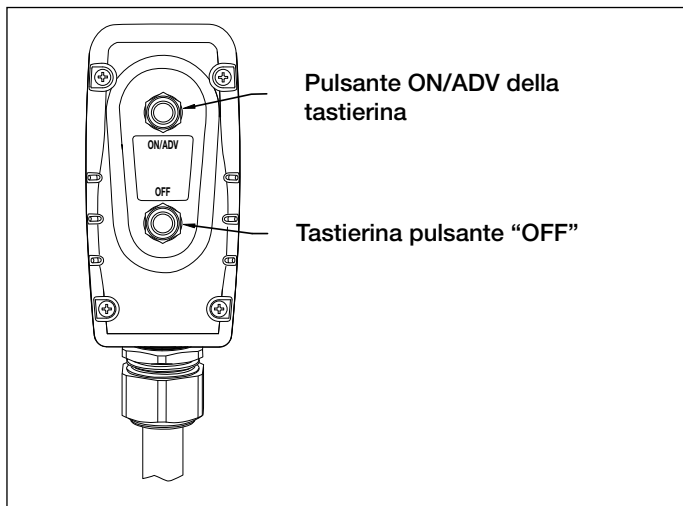


Figura 8, Pulsanti della tastierina

5.3 Funzionamento della pompa

IMPORTANTE: Quando possibile, un solo utente dovrebbe usare la chiave torsionometrica e la pompa. Questo può prevenire un'attivazione accidentale della pompa mentre l'operatore sta posizionando la chiave torsionometrica.

1. Controllare tutti i raccordi ed i collegamenti al fine di assicurarsi che siano stretti e senza perdite.
2. Controllare il livello dell'olio nel serbatoio e rimboccare l'olio, se necessario (vedere la sezione 4.4).
3. Accertarsi che il tappo di spedizione sia stato tolto e che sia stato installato al suo posto il cappuccio sfiatatoio (vedere la sezione 4.1).
4. Collegare l'unità all'alimentazione elettrica. Spostare l'interruttore on-off su ON. Vedere la figura 7.



AVVISO: Nel passo seguente, il motore della pompa si avvierà e la valvola si sposterà automaticamente, facendo ritornare la chiave torsionometrica. Prima di avviare il motore, verificare che la chiave torsionometrica sia posizionata in modo da evitare ferimenti o danni alle cose prima di avviare il motore.

5. Per avviare la pompa, premere il pulsante ON/ADV della tastierina. Vedere la figura 8. Il motore si avvierà automaticamente, e la chiave inizierà ad avanzare. La chiave torsionometrica continuerà ad avanzare fintanto che si mantiene il pulsante premuto.
6. Rilasciare il pulsante ON/ADV per fare ritornare la chiave torsionometrica. Dopo che il pulsante è stato rilasciato, il manometro mostrerà la pressione del circuito di ritorno (bypass del raccordo B), circa tra 173 e 193 bar.
7. Premere il pulsante OFF/DUMP per fermare il motore

Nota: Se il pulsante ON/ADV non viene premuto per un periodo continuativo di 20 secondi, il temporizzatore incorporato nella pompa arresterà automaticamente il motore.

5.4 Scarico Pressione

Per scaricare la pressione idraulica dalla chiave e dai tubi flessibili:

- Premere e mantenere premuto il pulsante "OFF". Vedere la Figura 9.
- Mentre si continua a mantenere premuto il pulsante "OFF", premere e rilasciare il pulsante "ON/ADV" tre o più volte, fino a che la pressione sia scesa a 0 bar/psi. I tubi flessibili possono ora essere tolti.

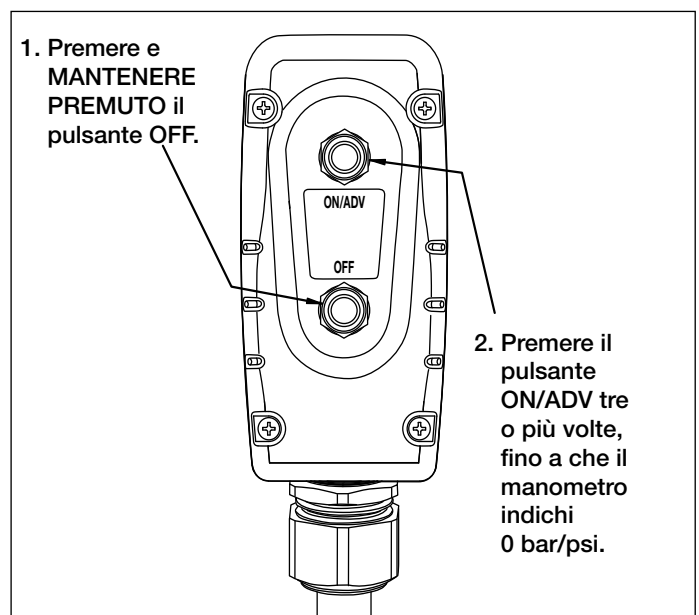


Figura 9, Scarico della pressione

5.5 Manometro e procedura con il disco di sovrapposizione

La pompa é fornita con un manometro installato. Per la vostra convenienza, é previsto un disco con i valori della coppia, sovrapponibile da montare sopra alla faccia del manometro e che converte facilmente le letture della pressione in letture della coppia (vedere figura 8, vista A). Il disco sovrapponibile ha le unità imperiali (Ft-Lbs.) da un lato e le unità metriche dall'altro (Nm). Per cambiare le scale, semplicemente capovolgere il disco.



ATTENZIONE: Ogni disco sovrapponibile é dimensionato SOLO per una chiave torsionometrica specifica. Non usare con altre chiavi.

5.5 Cambio del disco sovrapponibile

1. Smontare i tre dadi ad alette neri che tengono al suo posto la flangia frontale del manometro (vedere la figura 8, vista B).
2. Smontare la flangia frontale e il disco sovrapposto (vedere figura 8, vista C).
3. Inserire il nuovo disco da sovrapporre (ricordarsi di verificare che il disco corrisponda alla chiave torsionometrica Enerpac che si sta usando) sopra alla flangia, allineando il disco con le depressioni sul retro della flangia (vedere la figura 8, vista D).
4. Mentre si sostiene il disco da sovrapporre dietro la flangia (vedere la figura 8, vista C), introdurre la flangia sui prigionieri della manopola, riposizionando il disco sovrapponibile come necessario, e fissare la manopola, stringendo solo con le dita. La flangia premerà il disco sovrapponibile sopra al manometro e lo fisserà al suo posto. Vedere le istruzioni della chiave torsionometrica per l'ammontare della pressione necessaria richiesta per produrre la coppia desiderata. Notare che la pressione massima varia per le diverse chiavi ed accessori.



ATTENZIONE: Fare riferimento alle istruzioni della chiave torsionometrica per la procedura di funzionamento della chiave.

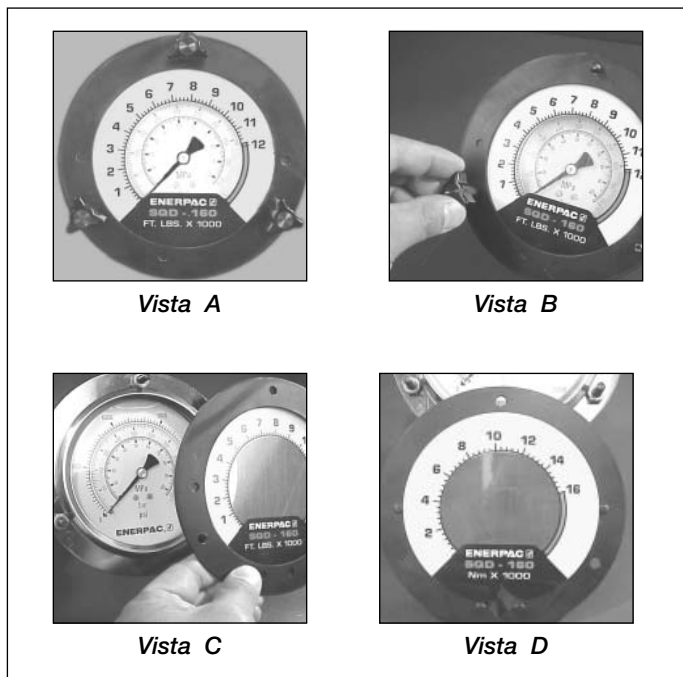


Figura 10, Installazione del disco sovrapponibile

5.6 Regolazione della pressione (coppia)



ATTENZIONE: Effettuare queste regolazioni PRIMA di inserire la chiave torsionometrica sul dado o sulla testa del bullone. La regolazione della pressione della pompa può essere superiore a quella necessaria per ottenere la coppia desiderata per la vostra applicazione. Il superamento della coppia richiesta causerà dei danni all'equipaggiamento e può portare ad un ferimento serio delle persone.

Per limitare la pressione di avanzamento alla chiave torsionometrica, regolare la valvola di scarico come descritto nella procedura seguente. Vedere la Figura 11.

1. Allentare il dado di bloccaggio della valvola di scarico.
2. Ruotare la manopola della valvola di scarico in senso antiorario come richiesto, fino a che ci sia poca o nessuna resistenza alla rotazione. Quando ciò si verifica, la valvola è al suo punto di regolazione più basso.
3. Spostare l'interruttore on-off della pompa su ON.
4. Premere e mantenere premuto il pulsante "ON/ADV" della tastierina. Il motore simette in funzione e si inizierà a formare la pressione nel circuito di avanzamento del raccordo A.
5. Mentre si continua a mantenere premuto il pulsante "ON/ADV", ruotare LENTAMENTE la manopola della valvola di scarico in senso orario fino alla regolazione desiderata.

Nota: Per ottenere una regolazione accurata, diminuire sempre la pressione fino ad un punto al di sotto della regolazione finale e quindi aumentare la pressione fino a che si sia raggiunto la regolazione finale

6. Rilasciare il pulsante "ON/ADV" in modo da permettere alla pressione del sistema di ritornare alla regolazione del ritorno del raccordo B.
7. Premere e mantenere premuto il pulsante "ON/ADV" di nuovo per ricontrollare la regolazione della pressione del circuito di avanzamento.
8. Dopo di avere ottenuto la regolazione desiderata della pressione, stringere il dado di bloccaggio della valvola di scarico.

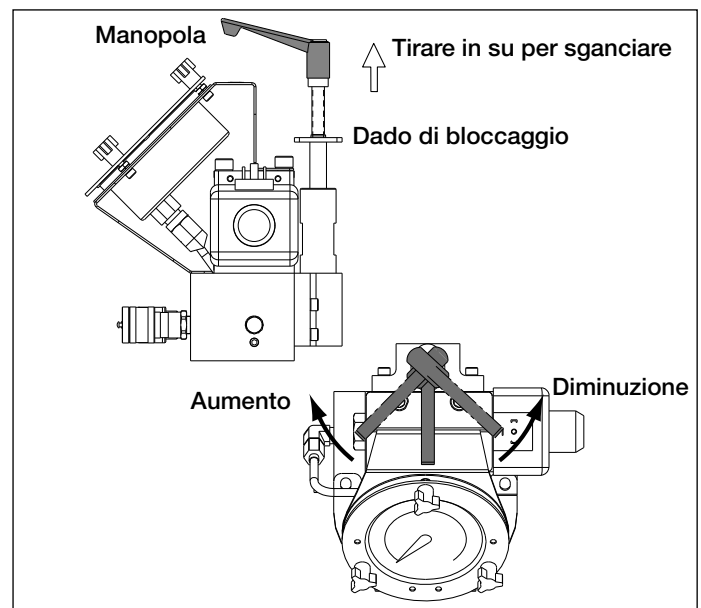


Figura 11, Regolazione della valvola di scarico

6.0 MANUTENZIONE

Ispezionare frequentemente tutti i componenti del sistema per eventuali perdite o danni. Riparare o sostituire i componenti danneggiati. Per quanto riguarda i componenti elettrici, per esempio, il cordone di alimentazione, esso può essere riparato o sostituito solo da un elettricista qualificato, nell'osservanza di tutte le norme elettriche locali e nazionali applicabili.

6.1 Controllo del livello dell'olio

Check the oil level of the pump prior to start-up, and add oil, if Controllare il livello dell'olio prima dell'avvio, e rimboccare l'olio, se necessario, togliendo il tappo dal raccordo di riempimento. Vedere le figure 3 e 5. Accertarsi sempre che la chiave torsionometrica sia tornata completamente a riposo, prima di aggiungere olio nel serbatoio.

6.2 Cambio dell'olio e pulizia del serbatoio

L'olio Enerpac HF ha un colore blu vivo. Controllare frequentemente le condizioni dell'olio per quanto riguarda la sua contaminazione confrontandolo con il colore dell'olio nuovo non usato. Come regola generale, scaricare completamente l'olio dal serbatoio e pulirlo ogni 250 ore di funzionamento, o anche più frequentemente se è utilizzato in ambiente sporco.

NOTA: questa procedura richiede di togliere la pompa dal serbatoio. Lavorare su di un banco pulito ed eliminare l'olio portandolo agli appositi centri di raccolta autorizzati.

1. Togliere il tappo di scarico e scaricare tutto l'olio dal serbatoio. Pulire e rimontare il tappo di scarico.
2. Svitare i 13 bulloni che fissano la piastra del coperchio al serbatoio e sollevare l'unità pompante fuori dal serbatoio. Abbiate cura di non danneggiare lo schermo filtrante.
3. Pulire completamente il serbatoio ed il magnete del serbatoio (se montato) con un prodotto adatto allo scopo.
4. Asportare lo schermo del filtro di presa per pulirlo (non tirare sullo schermo stesso o sul fondo di presa per evitare possibili danni). Pulire lo schermo con un solvente ed una spazzola soffice. Reinstallare.
5. Rimontare la pompa ed il serbatoio, installando una nuova guarnizione per il serbatoio stesso.
6. Riempire il serbatoio con olio idraulico Enerpac pulito. Il serbatoio è pieno quando il livello dell'olio è come mostrato in Figura 5.

6.3 Sostituzione delle spazzole del motore

Per impedire danni al motore, le spazzole del motore ZU4 incorporano un arresto automatico del motore, quando uno dei carboni delle spazzole si consuma fino ad una lunghezza di 6 mm. Ispezionare entrambi le spazzole.

1. Scollegare la pompa dall'alimentazione elettrica.



PERICOLO: per evitare una possibile folgorazione, la pompa deve essere totalmente scollegata dall'alimentazione elettrica prima di iniziare la manutenzione delle spazzole.

2. Remove both brush caps (A) by deflecting the brush cap
2. Smontare entrambi i coperchietti delle spazzole (A) deflettendo il chiavistello del coperchietto della spazzola (B) e smuovendolo gentilmente con una leva verso l'esterno (vedere la Figura 12).
3. Smontare le spazzole del motore girando il coperchietto nero in senso antiorario.
4. Sostituire entrambi le spazzole ed eseguire la procedura inversa per rimontare.

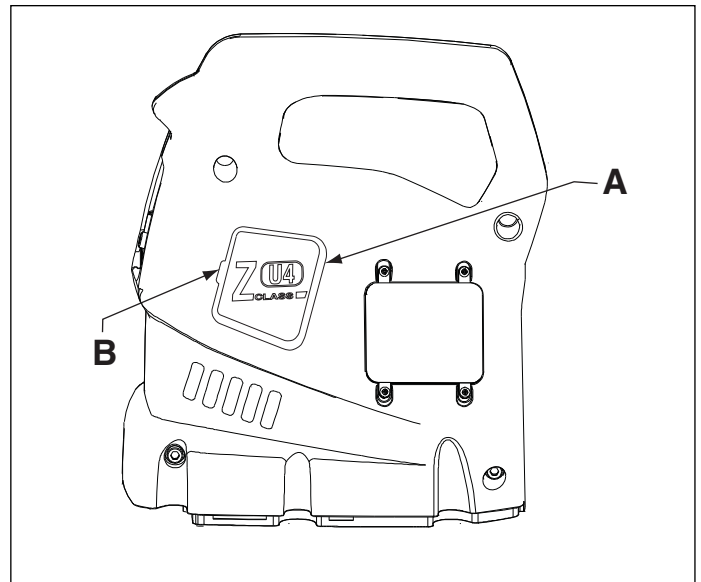


Figure 12, *Asportazione del coperchietto di una spazzola*

A. Coperchietto spazzola

B. Chiavistello del coperchietto di una spazzola

7.0 LIMINAZIONE DEI DIFETTI (VEDERE LA GUIDA PER L'ELIMINAZIONE DEI DIFETTI)

Solo del personale qualificato dovrebbe effettuare la manutenzione della pompa o dei componenti del sistema. Una panne del sistema può anche non essere il risultato di una disfunzione della pompa. Per determinare la causa del problema, l'intero sistema deve essere incluso in una procedura di diagnosi.

La seguente informazione deve essere intesa come un ausilio per determinare se il problema esiste. Per il servizio di riparazione, contattare il Centro locale di Servizio Autorizzato Enerpac.

Guida per l'eliminazione dei difetti

Problema	Causa possibile	Azione
La pompa non si avvia quando si preme il pulsante ON/ADV	Manca l'alimentazione	Collegare l'alimentazione
	L'interruttore on-off della pompa é in posizione OFF	Spostare l'interruttore sulla posizione ON
	L'interruttore automatico é scattato ed ha interrotto il circuito	Premere il pulsante dell'interruttore automatico del circuito
	Bassa tensione	Commutare su off altri carichi elettrici Usare un cordone di prolunga piú pesante per il manometro
	Le spazzole del motore sono consumate al massimo	Vedere la sezione 6.3, Sostituzione delle spazzole del motore
	Danno alla tastierina	Riparare la tastierina Interpellare un centro di servizio autorizzato
Il motore si ferma sotto carico	Bassa tensione	Commutare su off altri carichi elettrici Usare un cordone di prolunga piú pesante per il manometro
L'elettrovalvola non funziona	Manca energia alla pompa oppure tensione sbagliata	Collegare ad una sorgente di alimentazione secondo la targhetta dei dati tecnici
	Cavo del solenoide disconnesso o danneggiato	Collegare, riparare o sostituire il cavo
	La bobina del solenoide non é operativa	Interpellare un centro di servizio autorizzato
	Valvola fuori taratura	Interpellare un centro di servizio autorizzato
La pompa non crea la pressione o crea una pressione inferiore della pressione piena	Livello dell'olio basso	Aggiungere olio, vedere la sezione 4.4
	Regolazione della valvola di scarico troppo bassa	Regolare, vedere la sezione 5.7
	Perdita esterna al sistema	Ispezionare e riparare o sostituire
	Perdita interna nella pompa	Interpellare un centro di servizio autorizzato
	Perdita interna nella valvola	
	Perdita interna in un componente del sistema	
La pompa crea la pressione piena, ma la chiave torsionometrica non effettua l'avanzamento	La coppia é maggiore della capacità della chiave torsionometrica alla pressione totale	Usare una chiave torsionometrica con maggiore capacità
	La portata di avanzamento alla chiave é ristretta o bloccata	Controllare che gli accoppiatori siano completamente inseriti come detto nella sezione 4.5
La chiave torsionometrica non ritorna a riposo	La linea del flusso di ritorno é ristretta o bloccata	Controllare che gli accoppiatori siano completamente inseriti Fare funzionare il motore durante il ritorno
	Disfunzione della valvola	Interpellare un centro di servizio autorizzato
La pressione é intrappolata nei tubi flessibili della pompa dopo l'arresto del motore	La pressione non é scaricata.	Scaricare la pressione come da Sezione 5.4.
La pompa si surriscalda	Flusso di avanzamento o di ritorno ristretto	Controllare che gli accoppiatori siano completamente inseriti come detto nella sezione 4.5
	Alta temperature ambiente	Installare uno scambiatore di calore

ZU4 Pompa classica a chiave torsionometrica

L2906 Rev. C 12/10

Las hojas de despiece para este producto estan disponibles en la página web de Enerpac en la dirección www.enerpac.com, o en el centro de asistencia Técnica ó punto de venta Enerpac mas cercano.

1.0 IMPORTANTES INSTRUCCIONES DE RECEPCIÓN

Inspeccione visualmente todos los componentes para verificar si hay daños producidos en el transporte. Debido a que la garantía no ampara daños en transporte, si los hubiese, informe inmediatamente a la empresa de transportes, puesto que ésta es responsable de todos los gastos de reparaciones o reemplazo que resulten por daños producidos en el transporte.

SEGURIDAD PRIMERO

2.0 ASPECTOS DE SEGURIDAD



Lea todas las instrucciones, advertencias y precauciones. Acate todas las precauciones de seguridad para evitar lesiones o daños a la propiedad durante el funcionamiento del sistema. ENERPAC no puede ser responsable de daños o lesiones que resulten de no usar el producto de forma segura, falta de mantenimiento o aplicación incorrecta del producto y/o funcionamiento del sistema. Comuníquese con ENERPAC si tuviese dudas sobre las precauciones de seguridad o sobre las aplicaciones. Si nunca ha sido capacitado en seguridad hidráulica de alta presión, consulte a su distribuidor o centro de servicio para obtener un curso de seguridad gratis denominado ENERPAC Hydraulic.

El no cumplir con las siguientes precauciones y advertencias podría causar daños averías al equipo y lesiones.

Una **PRECAUCIÓN** se utiliza para indicar procedimientos y prácticas de uso o mantenimiento correctos para evitar daños o la destrucción de equipo u otra propiedad.

Una **ADVERTENCIA** indica un potencial peligro que requiere de procedimientos o prácticas correctos para evitar lesiones.

Un **PELIGRO** se utiliza sólo cuando su acción u omisión podría causar lesiones graves o incluso la muerte.



ADVERTENCIA: Use el equipo de protección personal adecuado cuando use equipo hidráulico.



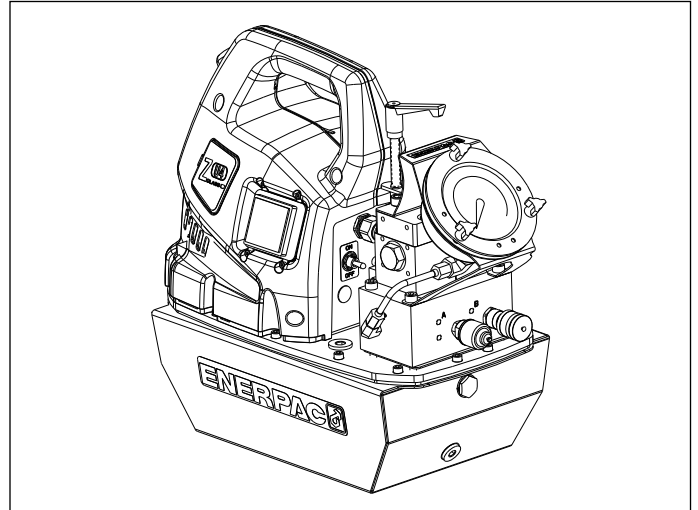
ADVERTENCIA: Manténgase alejado de las cargas soportadas por sistemas hidráulicos. Cuando un cilindro se utiliza como dispositivo para levantar carga, nunca debería usarse como dispositivo para sostener carga. Después de que la carga haya sido levantada o descendida, debe bloquearse siempre en forma mecánica.



USE SÓLO PIEZAS RÍGIDAS PARA SOSTENER CARGAS. Seleccione cuidadosamente bloques de acero o de madera capaces de soportar la carga. Nunca use un cilindro hidráulico como calzo ó separador en aplicaciones de levantamiento o presión.



PELIGRO: Para evitar lesiones personales, mantenga las manos y los pies alejados del cilindro y pieza de trabajo durante el funcionamiento.



ADVERTENCIA: La presión de trabajo del sistema no debe sobrepasar el valor nominal de presión del componente con el valor nominal más bajo en el sistema. Instale manómetros en el sistema para vigilar la presión de trabajo. Es su ventana a lo que está sucediendo en el sistema.



PRECAUCIÓN: Evite dañar la manguera hidráulica. Evite pliegues y curvas agudos al guiar las mangueras hidráulicas. Usar una manguera con pliegues o curvas puede causar severa contrapresión. Los pliegues y curvas agudos causarán daños internos a la manguera, lo que ocasionará que ésta falle prematuramente.



No deje caer objetos pesados sobre la manguera. Un impacto directo puede dañar el trenzado metálico de la manguera. Aplicar presión a una manguera dañada puede ocasionar que se rompa.



IMPORTANTE: No levante el equipo hidráulico por las mangueras o acopladores giratorios. Utilice el asa de transporte u otros medios para transportarla con seguridad.



PRECAUCIÓN: Mantenga el equipo hidráulico alejado de las llamas y el calor. El calor en exceso ablandará las juntas, lo que resultará en fugas de líquidos. Asimismo, el calor debilita los materiales de la manguera y juntas. Para lograr un rendimiento óptimo, no exponga el equipo a temperaturas de 65°C (150°F) o mayores. Proteja las mangueras y cilindros de salpicaduras de soldadura.



PELIGRO: No manipule mangueras bajo presión. El aceite que escape bajo presión puede penetrar la piel y causar lesiones graves. Si se inyecta aceite bajo la piel, consulte a un médico inmediatamente.



ADVERTENCIA: Utilizar llaves dinamométricas hidráulicas sólo con el sistema acoplado. No utilizar las llaves dinamométricas con los acopladores desconectados. Si la llave dinamométrica se sobrecarga en exceso, los componentes podrían fallar y causar lesiones graves.



IMPORTANTE: Únicamente técnicos calificados en sistemas hidráulicos habrán de prestarle servicio al equipo hidráulico. Comuníquese con el Centro de Servicio ENERPAC autorizado en su zona para prestarle servicio de reparaciones. Use únicamente aceite ENERPAC a fin de proteger su garantía.



ADVERTENCIA: Reemplace inmediatamente las piezas gastadas o dañadas por piezas ENERPAC genuinas. Las piezas de calidad corriente se romperán, lo que causará lesiones y daños a la propiedad. Las piezas ENERPAC están diseñadas para encajar debidamente y resistir grandes cargas.



ATENCIÓN: No usar bombas eléctricas en un entorno explosivo. Cumplir todos los códigos eléctricos locales y nacionales. La instalación y las modificaciones deben ser realizadas por un electricista cualificado.



ATENCIÓN: Mantener las manos alejadas de las partes móviles y las mangueras a presión.



ATENCIÓN: Estas bombas tienen válvulas reguladoras de presión instaladas en fábrica que no han de ser reparadas o reajustadas salvo por un Centro de Servicio Técnico Autorizado de Enerpac.



CUIDADO: Para prevenir posibles daños al motor eléctrico de la bomba, compruebe las especificaciones. El uso de una fuente incorrecta de energía puede dañar el motor.

3.0 ESPECIFICACIONES

3.1 Cuadro de rendimiento (véase pie de página)

3.2 Cuadro de flujo (véase figura 1):

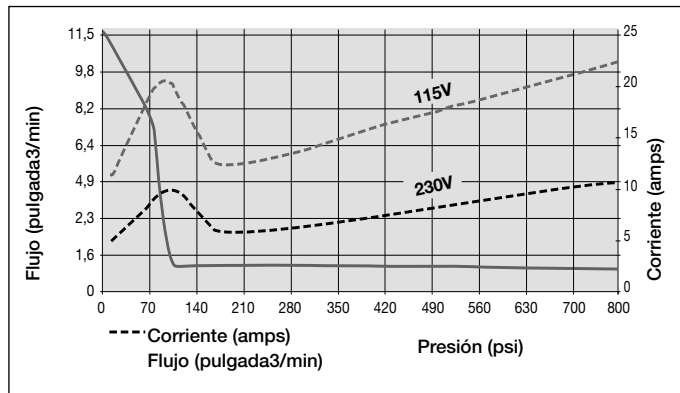


Figura 1, Cuadro de flujo

4.0 INSTALACIÓN

Instalar o colocar la bomba para garantizar que haya salida de aire alrededor del motor y que la bomba no se vea obstruida. Mantener limpio el motor para garantizar la máxima refrigeración durante su funcionamiento.

4.1 Tapa del conducto de aireación y tapón de llenado de aceite (Véase Figuras 2 y 3)

Hay un tapón de transporte (A) instalado en el puerto del conducto de aireación en la parte superior del depósito. Antes de utilizar la bomba, sustituir el tapón de transporte (A) por la tapa del conducto de aireación (B) y el conector del adaptador (C). Nota: La toma de llenado de aceite está situada en el lado opuesto de la bomba. La toma de llenado de aceite usa un tapón SAE n° 10 (D).

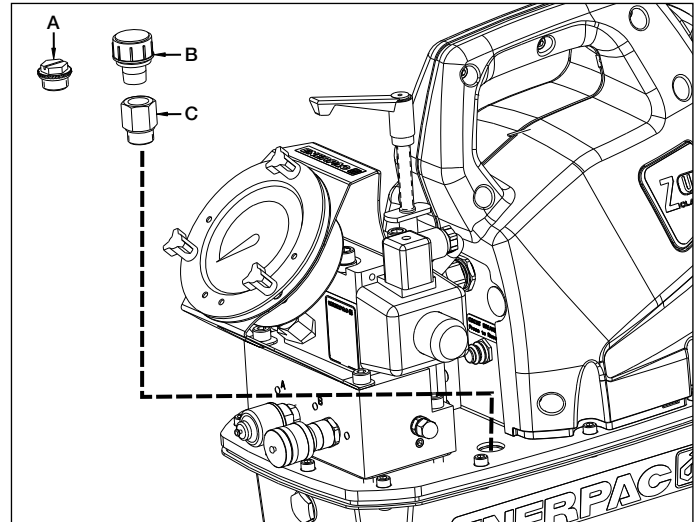


Figura 2, Instalación del conducto de aireación

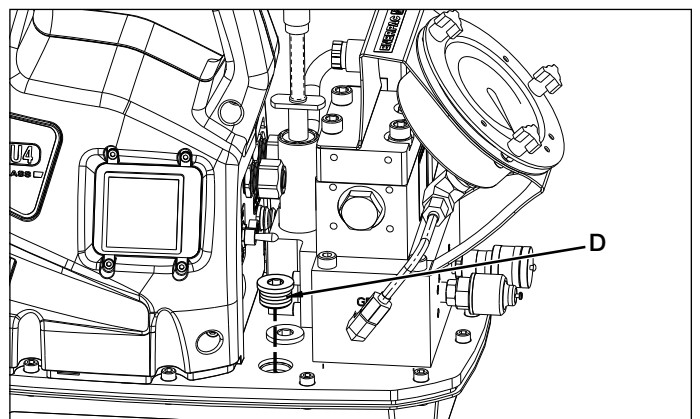


Figura 3, Tapón de llenado de aceite

▼ Cuadro de rendimiento de ZU4

Diámetro del motor (hp)	Caudal de producción pulgada ³ /min				Especificaciones eléctricas del motor (voltio-Ph-Hz)	Nivel de sonido (dBA)	Rango de ajuste de la válvula de alivio (psi)
	7 bar (100 psi)	50 bar (700 psi)	350 bar (5,000 psi)	700 bar (10,000 psi)			
1.7*	700	535	76	60	115-1-50/60 230-1-50/60	85-90	1,400-10,000 para versión "Q" 1,400 a 11.600 para versión "E"

*El consumo de energía real depende de la aplicación. Véase Figura 1.

4.2 Montaje de la bomba (véase Figura 4)

Consultar la figura 3 para obtener las dimensiones de montaje para asegurar la bomba a una superficie fija.

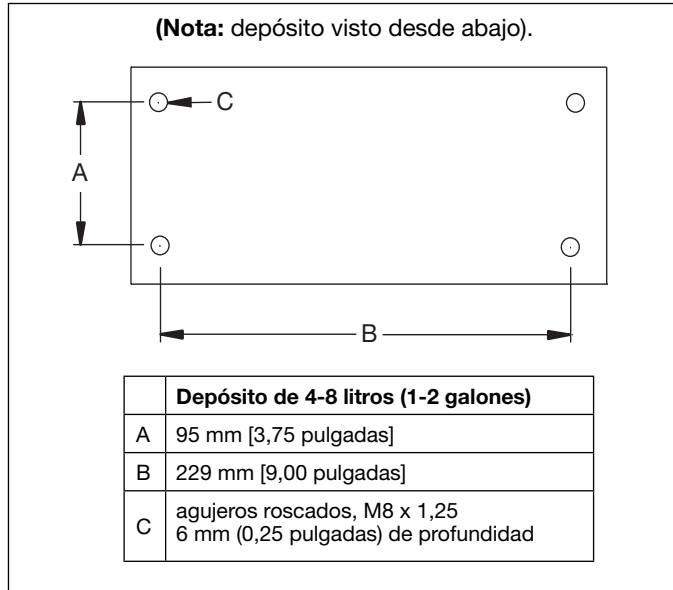


Figura 4, Dimensiones de montaje

4.3 Conexiones eléctricas

LA BOMBA ESTÁ EQUIPADA DE FÁBRICA CON UN ENCHUFE ELÉCTRICO COMÚN PARA UN DETERMINADO VOLTAJE. LA ALTERACIÓN DEL TIPO DE ENCHUFE SÓLO PUEDE HACERLO UN ELECTRICISTA CUALIFICADO, CUMPLIENDO CON TODOS LOS CÓDIGOS LOCALES Y NACIONALES CORRESPONDIENTES.

1. La protección del circuito en línea y de desconexión debe ser proporcionada por el cliente. La protección del circuito en línea debe ser 115% de la corriente a plena carga del motor a presión máxima de la aplicación (véase Figura 1).
2. Para obtener más información, consultar la placa de identificación de la bomba que contiene la potencia de salida.

4.4 Nivel de aceite

Comprobar el nivel de aceite de la bomba antes de su puesta en marcha. Si fuera necesario, añadir aceite quitando el tapón SAE n.º 10 de la placa de la cubierta (véase Figura 3). El depósito está lleno cuando el nivel de aceite se encuentra en la posición que se muestra en la figura 5.

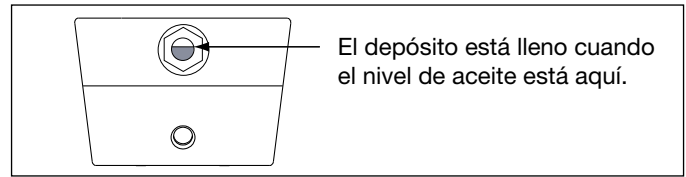


Figura 5, Luz de aviso de nivel

IMPORTANTE: Añadir aceite sólo si los componentes del sistema están completamente replegados o si el sistema contiene más aceite de lo que el depósito puede resistir.

4.5 Conexión de las mangueras hidráulicas

Conectar las mangueras como se indica en la figura 6.

1. (-E) Tipo de bomba para las llaves dinamométricas SQD y HXD de Enerpac: Asegurarse de utilizar las mangueras “Enerpac serie THC-700 - 800 Bar/11.600 psi máx.” Los acopladores de estas mangueras se “polarizan” en fábrica para garantizar un funcionamiento correcto de la llave.
 - A. Acopladores hembra de la manguera y de la llave. Apretar a mano los anillos de fijación de los acopladores roscados. No se necesitan herramientas.
 - B. Los acopladores hembra (-E) de la bomba se auto-bloquean. Presionar los acopladores de ajuste hasta que el anillo de fijación del acoplador se bloquee. Para desconectarlos, girar el anillo de fijación del acoplador en el sentido de las agujas del reloj y desconectar.
2. (-Q) Tipo de bomba para las llaves dinamométricas S y W de Enerpac y de otras marcas comerciales: Usar mangueras “Enerpac serie THQ-700 - 700 bar/10,000 psi máx.” Los acopladores se deben polarizar según la figura 5 para lograr un correcto funcionamiento de la llave. Garantizar que los acopladores estén completamente colocados y ajustados antes de su funcionamiento. Un ajuste parcial de los acopladores no permitirá un funcionamiento adecuado de la llave.



ADVERTENCIA: WAl utilizar (-Q) bombas con conectores múltiples para llaves, garantizar que todos los acopladores no utilizados tengan las tapas de protección completamente instaladas antes de la puesta en marcha de la bomba.

Nota: La primera vez que se conecta la llave a la bomba, el aire se retendrá en el circuito hidráulico. Retirar el aire colocando la llave y las mangueras enderezadas por debajo de la bomba, operar la llave sin carga hasta que gire sin problemas.

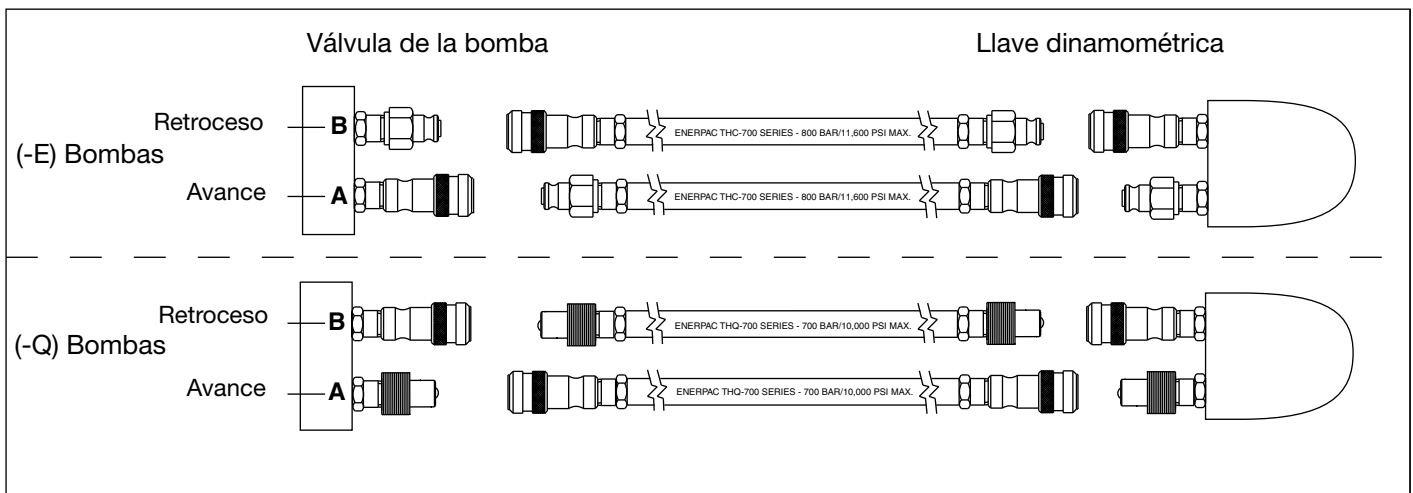


Figura 6, Detalles de la manguera

5.0 FUNCIONAMIENTO

5.1 Interruptor de la bomba (véase Figura 7)

Posiciones del interruptor

1. ON – Bomba controlada por mando remoto. La bomba arranca cuando se pulsa el botón “ON/ADV” del mando remoto.
2. OFF – Mando remoto deshabilitado. La bomba no arrancará cuando se pulsa el botón “ON/ADV” del mando remoto.

Interruptor automático: Si se dispara, pulsar el botón para reajustar.

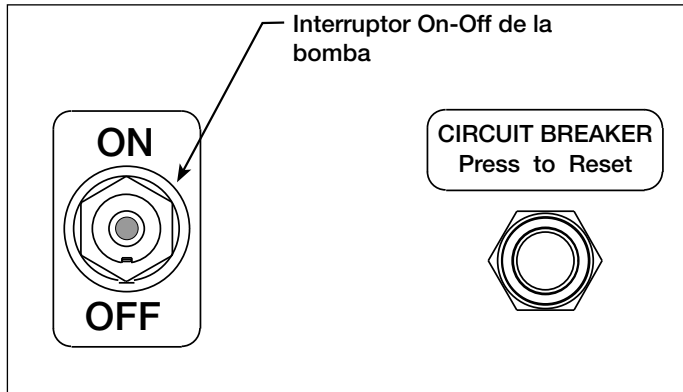


Figura 7, Panel de control de la bomba

5.2 Funcionamiento del mando remoto (véase Figura 7)

1. Botón “ON/ADV” del mando remoto:

- Botón pulsado – el motor se enciende (ON). La llave AVANZA durante el tiempo en que se pulsa el botón.
- Botón liberado – la llave comienza un RETROCESO. El motor continúa funcionando durante un máximo de 20 segundos.

2. Botón “OFF” del mando remoto:

- Botón pulsado – el motor se apaga (OFF) inmediatamente.

Nota: El motor se parará inmediatamente si el interruptor de la bomba se mueve a OFF durante el funcionamiento de la bomba.

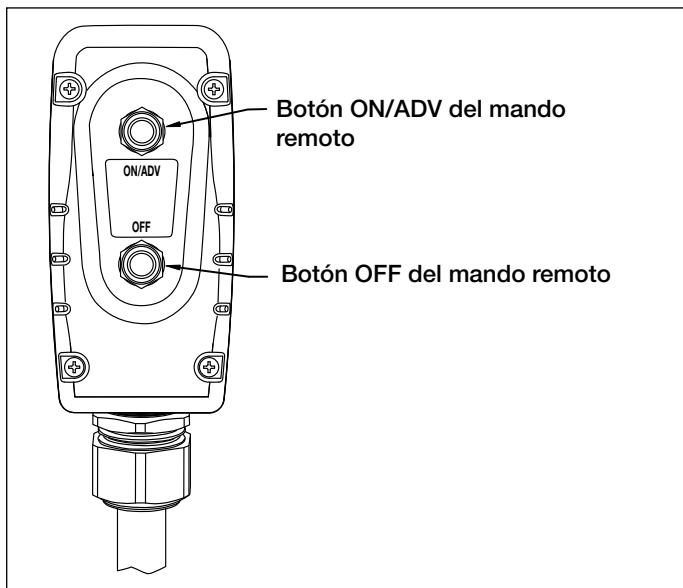


Figura 8, Botones del mando remoto

5.3 Funcionamiento de la bomba

IMPORTANTE: En caso de ser posible, un solo usuario debe utilizar la llave dinamométrica y la bomba. De esta forma se podrá prevenir la activación accidental de la bomba mientras que el operario está colocando la llave.

1. Comprobar todas las conexiones del sistema para garantizar que están cerradas y sin fugas.
2. Comprobar el nivel de aceite del depósito y, si es necesario, añadir aceite. (véase Sección 4.4)
3. Asegurarse de que se haya retirado el tapón de transporte y colocado la tapa del conducto de aireación. (véase Sección 4,1)
4. Conectar la unidad a la red eléctrica. Poner el interruptor de la bomba a ON. Véase Figura 7.



ADVERTENCIA: En el siguiente paso, el motor de la bomba arrancará y la válvula se desplazará automáticamente, haciendo retroceder a la llave dinamométrica. Verificar que la llave dinamométrica está colocada para evitar lesiones o daños al equipo antes de arrancar el motor.

5. Para arrancar la bomba, pulsar el botón “ON/ADV” del mando remoto. Véase la figura 8. El motor arrancará automáticamente y la llave comenzará su avance. La llave continuará avanzando durante el tiempo en que se pulsa el botón.
6. Liberar el botón “ON/ADV” para hacer retroceder la llave. Después de que el botón se libera, el manómetro mostrará la presión en el circuito de retroceso (derivación en puerto B), aproximadamente 173-193 bar [2500 – 2800 psi].
7. Pulsar el botón “OFF/DUMP” para detener el motor.

Nota: Si el botón “ON/ADV” no se pulsa durante 20 segundos seguidos, el temporizador integrado de la bomba apagará el motor automáticamente.

5.4 Aliviar la presión

Para aliviar la presión hidráulica en la llave y las mangueras:

- Mantener pulsada la tecla “OFF”. Véase Figura 9.
- Mientras se mantiene pulsada la tecla “OFF”, pulsar y soltar tres veces o más la tecla “ON/ADV”, hasta que el manómetro indique 0 bar/psi. Ahora se pueden retirar las mangueras.

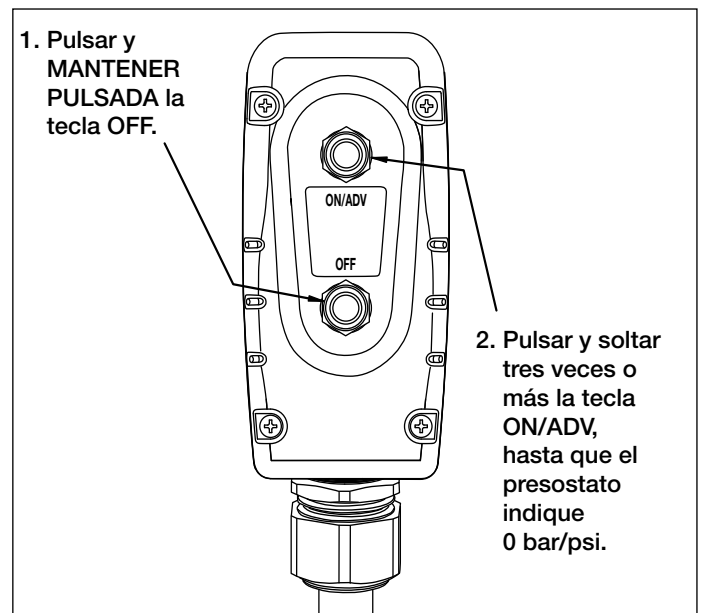


Figura 9, Cómo aliviar la presión

5.5 Procedimientos de funcionamiento del manómetro y de la cobertura

La bomba tiene un manómetro instalado. Para su practicidad, se proporcionan coberturas de la llave con cada bomba. Una cobertura de la llave encaja sobre la esfera del manómetro y convierte fácilmente las lecturas de presión a lecturas de llave (véase Figura 10, vista A). La cobertura presenta unidades imperiales (lb-pies) en un lado y unidades métricas (Nm) en el otro. Para cambiar las escalas, simplemente dé vuelta la cobertura.



ADVERTENCIA: Cada cobertura tiene un tamaño específico para SÓLO una llave dinamométrica de Enerpac. No usar con otras llaves.

5.6 Cambio de la cobertura

1. Retirar los tres botones negros que mantienen en su lugar a la brida frontal del manómetro (véase Figura 10, vista B).
2. Retirar la brida frontal y la cobertura (véase Figura 10, vista C).
3. Insertar una nueva cobertura (recordar la verificación del uso de la cobertura correcta para la llave dinamométrica de Enerpac) en la brida, alineando la cobertura con las muescas en la parte posterior de la brida (véase Figura 10, vista D).
4. Al mantener la cobertura por detrás de la brida (véase Figura 10, vista C), insertar la brida en los tornillos de los botones, ubicando nuevamente la cobertura (según sea necesario) y asegurar los botones apretando con las manos (véase Figura 10, vista B). La brida presionará la cobertura hacia el manómetro y lo ajustará en su lugar. Consultar las instrucciones de la llave dinamométrica para obtener la cantidad de presión necesaria para producir el par deseado. Tener en cuenta que la presión máxima varía según las diferentes llaves y accesorios.



PRECAUCIÓN: Consultar las instrucciones de la llave dinamométrica para obtener el procedimiento de funcionamiento de la llave.

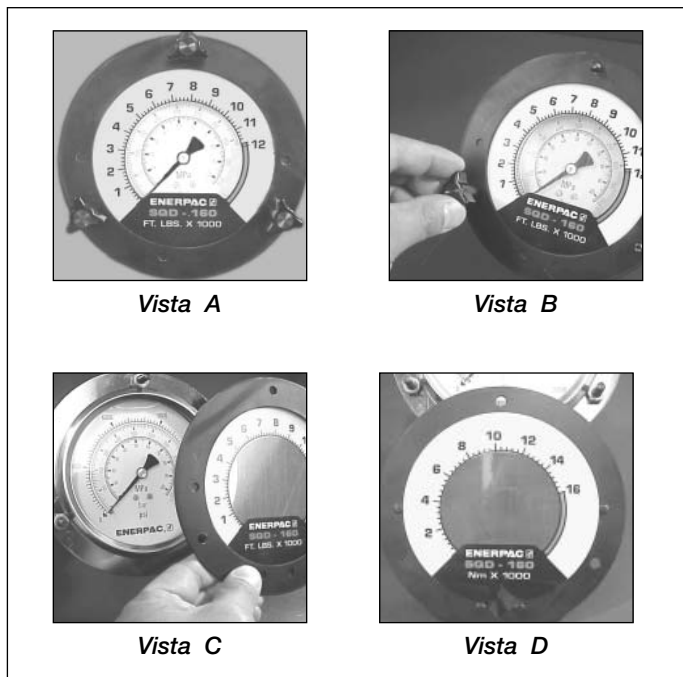


Figura 10, Instalación de la cobertura

5.7 Ajuste de la presión (par)



ADVERTENCIA: Realizar estos ajustes ANTES de colocar la llave dinamométrica en la cabeza del tornillo o tuerca. El ajuste de la presión de la bomba puede estar por encima de la presión necesaria para proporcionar el par deseado para su aplicación. El exceso del par necesario provocará un daño en el equipo y podrá provocar una lesión personal grave.

Para limitar la presión de avance a la llave dinamométrica, ajustar la válvula de alivio como se describe en el procedimiento siguiente. Véase Figura 11.

1. Aflojar la tuerca de fijación de la válvula de alivio.
2. Hacer girar en sentido antihorario la maneta de la válvula de alivio, según se necesite, hasta que no haya resistencia, o la resistencia sea leve al girar. Cuando esto sucede, la válvula está en su ajuste más bajo.

Nota: La maneta de la válvula de alivio sólo gira aproximadamente 2/3 de un giro completo. Cuando deja de rotar, tirar de la maneta hacia arriba para desacoplarla. Seguidamente, volver a ubicar y acoplar la mangueta para permitir el ajuste adicional (según se necesite).

3. Poner el interruptor de la bomba a ON.
4. Mantener pulsado el botón "ON/ADV" del control remoto. El motor arranca y empieza a acumularse la presión en el circuito de avance de la toma A.
5. Con el botón "ON/ADV" siempre pulsado, hacer girar LENTAMENTE y en sentido horario la maneta de la válvula de alivio, hasta que la presión aumente y alcance el punto de ajuste deseado.
6. Liberar el botón "ON/ADV" para permitir que la presión del sistema regrese al ajuste de retroceso del puerto B. El motor continuará funcionando.
7. Mantener pulsado nuevamente el botón "ON/ADV" para volver a comprobar el ajuste de presión en el circuito de avance. Comprobar que el manómetro indica la presión deseada.
8. Una vez alcanzado el ajuste deseado de presión, apretar la contratuerca de la válvula de alivio.

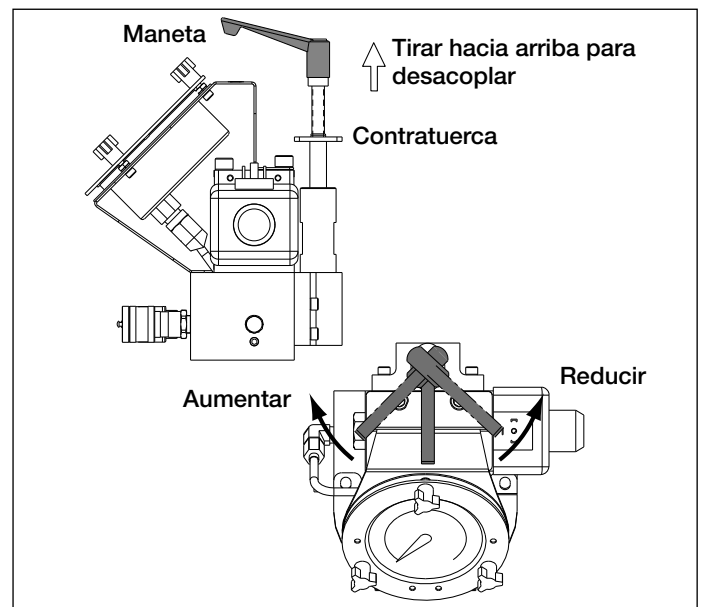


Figura 11, Ajuste de la válvula de alivio

6.0 MANTENIMIENTO

Observar con frecuencia todos los componentes del sistema en busca de fugas o daños. Reparar o reemplazar los componentes dañados. Los componentes eléctricos, por ejemplo, el cable de energía, sólo pueden ser reparados o reemplazados por un electricista cualificado, cumpliendo con todos los códigos locales y nacionales correspondientes.

6.1 Verificación del nivel del aceite

Comprobar el nivel del aceite de la bomba antes de su arranque y añadir aceite (si fuera necesario) retirando el tapón del puerto de llenado. Véase las figuras 3 y 5. Asegurarse siempre que la llave dinamométrica está totalmente replegada antes de añadir aceite al depósito.

6.2 Cambiar el Aceite y Limpiar el Depósito

El aceite Enerpac HF es de un color azul fuerte. Comprobar con frecuencia la situación del aceite en busca de contaminación comparando el aceite de la bomba con aceite Enerpac nuevo. Como norma general, vacíe completamente y limpie el depósito cada 250 horas o con mayor frecuencia en ambientes sucios.

NOTA: Este procedimiento exige retirar la bomba del depósito. Trabajar en un banco limpio y disponer del aceite usado de conformidad con los códigos locales.

1. Retirar el tapón de drenaje y drenar todo el aceite del depósito. Limpiar y volver a colocar el tapón de drenaje.
2. Aflojar los 13 tornillos que sostienen la placa de la cubierta al depósito y retire la bomba del depósito. Tener sumo cuidado de no dañar el filtro de malla.
3. Limpiar completamente el depósito y el imán del depósito (si lo trae) con un agente limpiador adecuado.
4. Retirar el filtro de malla de captación para limpiarlo. (No tirar del filtro ni de la base de la entrada para evitar posibles daños). Limpiar el filtro con disolvente y una escobilla suave. Volver a instalar
5. Volver a montar la bomba y el depósito, con una junta del depósito nueva.
6. Llenar el depósito con aceite hidráulico Enerpac nuevo. El depósito está lleno cuando el nivel de aceite está como muestra la figura 5.

6.3 Sustitución de las escobillas del motor

Para evitar averías, las escobillas del motor ZU4 tienen un dispositivo de detención automático si se desgastan hasta una longitud de 6 mm. (0,25 pulg.). Inspeccionar ambas escobillas.

1. Desconectar la bomba de la alimentación eléctrica



PELIGRO: Para evitar posibles electrocuciones, la bomba debe desconectarse completamente de la alimentación eléctrica antes de realizar trabajos de mantenimiento en las escobillas.

2. Retirar las tapas (A) de ambas escobillas al doblar el pestillo (B) de cada tapa de las escobillas y apalancar suavemente hacia afuera (véase figura 12).
3. Retirar las escobillas del motor al girar la tapa negra en sentido antihorario.
4. Sustituir ambas escobillas y realizar el procedimiento a la inversa para volver a montar.

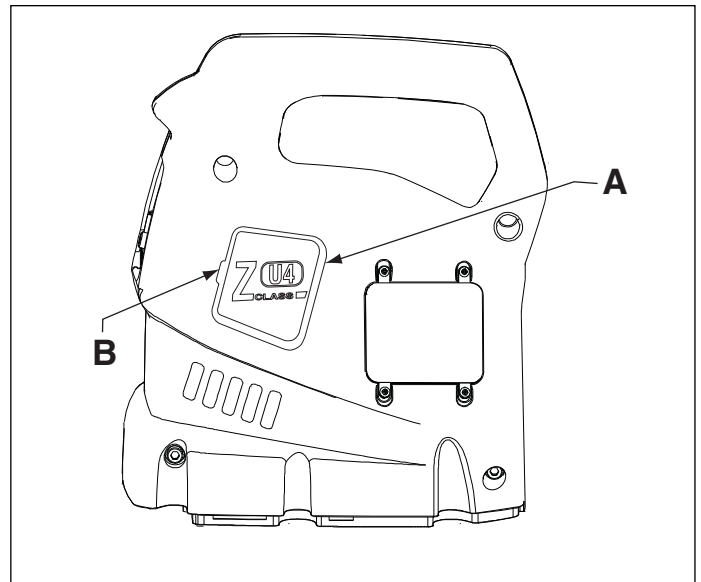


Figure 12, Brush Cap Removal

A. Tapa de la escobilla B. illo de la tapa de la escobilla

7.0 SOLUCIÓN DE PROBLEMAS (VÉASE GUÍA DE SOLUCIÓN DE PROBLEMAS)

Sólo técnicos hidráulicos cualificados deberían realizar el mantenimiento de los componentes de la bomba o el sistema. Un fallo en el sistema puede o no ocasionar un mal funcionamiento de la bomba. Para determinar la causa del problema, se debe incluir el sistema completo en cualquier procedimiento de diagnóstico.

La siguiente información debe utilizarse sólo como una ayuda para determinar si existe un problema. Para servicios de reparación, ponerse en contacto con el Centro de Servicio Técnico de Enerpac autorizado.

Guía de solución de problemas

Problema	Causa posible	Acción
La bomba no arranca cuando se pulsa el botón "ON/ADV".	No hay energía	Conectar a la red eléctrica
	El interruptor de la bomba en posición "OFF"	Poner el interruptor en la posición "ON"
	Interruptor automático disparado	Pulsar el botón del interruptor automático
	Voltaje bajo	Apagar las otras cargas eléctricas Usar un cable alargador del manómetro con mayor voltaje
	El cepillo del motor totalmente desgastado	Véase Sección 6.3. Sustitución del cepillo del motor
	Mando remoto dañado	Reparar el mando remoto Consultar a su servicio técnico autorizado
El motor se detiene en carga	Voltaje bajo	Apagar las otras cargas eléctricas Usar un cable alargador del manómetro con mayor voltaje
La válvula eléctrica no funciona	No hay energía para la bomba o voltaje erróneo	Conectar la fuente de energía correcta según la placa de identificación de la bomba
	El cable del solenoide está desconectado o dañado	Conectar, reparar o sustituir el cable
	La bobina del solenoide no funciona	Consultar a su servicio técnico autorizado
	Válvula desajustada	Consultar a su servicio técnico autorizado
La bomba no crea presión o crea una presión menor a la presión total	Nivel bajo de aceite	Añadir aceite según la sección 4.4
	Válvula de descarga con ajuste demasiado bajo	Ajustar según la sección 5.7
	Fuga en el sistema externo	Inspeccionar y reparar o sustituir
	Fuga interna en la bomba	Consultar a su servicio técnico autorizado
	Fuga interna en la válvula	
	Fuga interna en un componente del sistema	
La bomba crea presión total, pero la llave dinamométrica no avanza	Par mayor que la capacidad de la llave a presión total	Usar una llave dinamométrica con mayor capacidad total
	Flujo de avance a la llave restringido o bloqueado	Comprobar que los acopladores estén bien acoplados según la sección 4.5
La llave dinamométrica no retrocede	Flujo de avance a la llave restringido o bloqueado	Comprobar si los acopladores están bien acoplados Operar el motor cuando está en retroceso
	Mal funcionamiento de la válvula	Consultar a su servicio técnico autorizado
La bomba se calienta	Flujo de avance o retroceso restringido	Comprobar que los acopladores estén bien acoplados según la sección 4.5
	Temperatura ambiente elevada	Instalar el intercambiador de calor

ZU4 Standaard Momentsleutelpomp

L2906 Rev. C 12/10

Reparatie/Onderdelenlijsten voor deze producten zijn te downloaden van de Enerpac Website www.enerpac.com of verkrijgbaar via uw Enerpac Service Centre of vertegenwoordiger.

1.0 BELANGRIJKE INSTRUCTIES BIJ ONTVANGST

Controleer visueel alle onderdelen op schade opgelopen tijdens de verzending. Schade opgelopen tijdens de verzending wordt niet door de garantie gedekt. Als schade opgelopen tijdens de verzending wordt gevonden, de transporteur hier onmiddellijk van op de hoogte stellen. De transporteur is verantwoordelijk voor alle reparatie- of vervangingskosten als gevolg van opgelopen schade tijdens de verzending.

VEILIGHEID VOOROP

2.0 VEILIGHEIDSKWESTIES



Lees nauwkeurig alle instructies, waarschuwingen en let op-gedeelten. Volg alle veiligheidsvoorzieningen om persoonlijk letsel of schade aan eigendom te voorkomen als het systeem in werking is. Enerpac kan niet verantwoordelijk worden gesteld voor schade of letsels als gevolg van onveilig gebruik van dit product, gebrek aan onderhoud, of onjuiste toepassing van het product of het systeem. Neem contact op met Enerpac mocht u twijfels hebben over veiligheidsvoorzieningen en werkingen. Als u nooit een opleiding in hogedruk hydraulische veiligheid hebt gevolgd neem dan contact op met uw verdeel- of servicecentrum voor een gratis veiligheidskursus van Enerpac Hydraulic.

Het niet volgen van deze waarschuwingsboodschappen en voorzorgsmaatregelen kan schade aan de machine en persoonlijk letsel veroorzaken.

LET OP wordt gebruikt om correcte bedienings- en onderhoudsprocedures en praktijken aan te duiden om schade aan, of vernietiging van, machines of andere eigendom te voorkomen.

WAARSCHUWING wijst op een mogelijk gevaar dat de juiste procedures en praktijken vereist om persoonlijk letsel te voorkomen.

GEVAAR wordt enkel gebruikt als uw actie of gebrek aan actie ernstig letsel of zelfs de dood tot gevolg kan hebben.



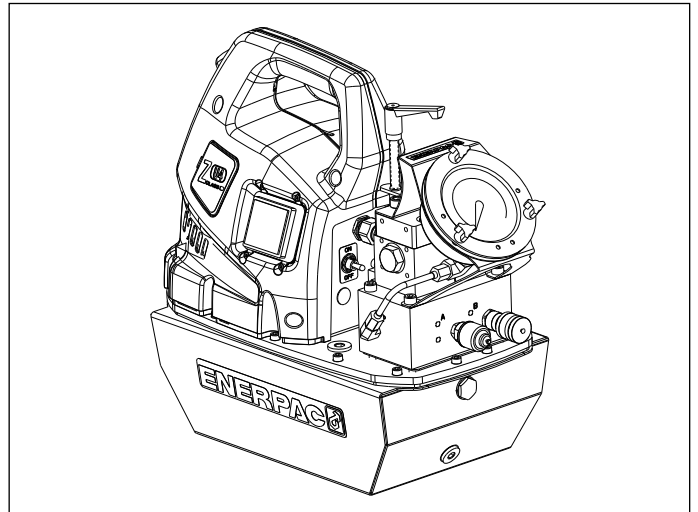
WAARSCHUWING: Draag de juiste persoonlijke beschermende kleding bij het werken met hydraulische machines.



WAARSCHUWING: Blijf uit de buurt van ladingen die hydraulisch worden ondersteund. Een cilinder die wordt gebruikt als een lasthouder. Nadat de lading omhoog of omlaag is gebracht, moet deze altijd mechanisch worden geblokkeerd.



WAARSCHUWING: GEBRUIK ENKEL STIJVE MATERIALEN OM DE LADINGEN VAST TE HOUDEN. Kies met zorg stalen of houten blokken die een lading kunnen ondersteunen. Gebruik nooit een hydraulische cilinder als een pakkingschijf of een afstandstuk in enige toepassing waarbij opheffen of drukken wordt gebruikt.



GEVAAR: Om persoonlijk letsel te voorkomen, handen en voeten weghouden van de cilinder en het werkstuk tijdens de bediening.



WAARSCHUWING: De bedieningsdruk van het systeem mag de nominale drukwaarde van het onderdeel met de laagste waarde in het systeem niet overschrijden. Installeer drukmeters in het systeem om de bedieningsdruk te controleren. Op die manier weet u wat er in het systeem gebeurt.



LET OP: De hydraulische slang niet beschadigen. Vermijd ombuigen en knikken bij het aanbrengen van de hydraulische slangen. Een gebogen of geknikte slang gebruiken kan ernstige tegendruk van de afvoerstroam veroorzaken. Scherpe ombuigingen en knikken beschadigen de slang aan de binnenkant wat tot vroegtijdig falen van de slang kan leiden.



Geen zware objecten op de slang laten vallen. Een scherpe impact kan interne schade aan de draadvezels van de slang veroorzaken. Druk uitoefenen op een slang die beschadigd is, kan scheuren van de slang tot gevolg hebben.



BELANGRIJK: : Hydraulische machines niet bij de slangen of de wartelkoppelingen opheffen. Gebruik de draaghandgreep of een ander middel om de machine veilig te transporteren.



LET OP: Houd de hydraulische machine weg van vlammen en hitte. Buitenmatige hitte verzacht de pakkingen en afdichtingen wat tot vloeistoflekken kan leiden. Hitte verzwakt ook slangmaterialen en pakkingen. Voor optimale prestaties de machines niet blootstellen aan temperaturen van 65°C (150°F) of hoger. Bescherm slangen en cilinders tegen lasspetters.



GEVAAR: Slangen die onder druk staan, niet aanraken. Als olie die onder druk staat ontsnapt, kan het door de huid dringen wat ernstige letsel kan veroorzaken. Als olie onder de huid wordt geïnjecteerd, onmiddellijk een arts raadplegen.



WAARSCHUWING: Gebruik alleen hydraulische torsiesleutels op een gekoppeld systeem. Een torsiesleutel moet nooit op niet-aangesloten koppelingen worden gebruikt. Wanneer de torsiesleutel overmatig wordt belast, kunnen onderdelen ervan op noodlottige wijze falen, wat ernstig persoonlijk letsel kan veroorzaken.



BELANGRIJK: Hydraulische machines mogen enkel door een bevoegd hydraulisch technicus van onderhoud worden voorzien. Voor reparaties dient u contact op te nemen met een nabijgelegen bevoegd ENERPAC servicecentrum. Om uw garantie te beschermen, enkel ENERPAC olie gebruiken.



WAARSCHUWING: Immediately replace worn or damaged parts by genuine Eversleten of beschadigde onderdelen onmiddellijk met authentieke ENERPAC onderdelen vervangen. Standaardonderdelen breken, wat tot persoonlijk letsel en schade aan eigendom kan leiden. ENERPAC onderdelen zijn zodanig ontworpen dat ze precies passen en hoge ladingen kunnen weerstaan.



WAARSCHUWING: Gebruik elektrische pompen niet in explosiegevaarlijke omgevingen. Houd u aan de plaatselijke en nationale regelgeving voor elektrische toepassingen. Installatie- en modificatiewerkzaamheden dienen te worden uitgevoerd door een erkende elektromonteur.



WAARSCHUWING: Houd uw handen uit de buurt van bewegende delen en drukslangen.



WAARSCHUWING: Deze pompen zijn voorzien van door de fabriek ingestelde ontlastkleppen die uitsluitend mogen worden gerepareerd of afgesteld door een erkend Enerpac Service Center.

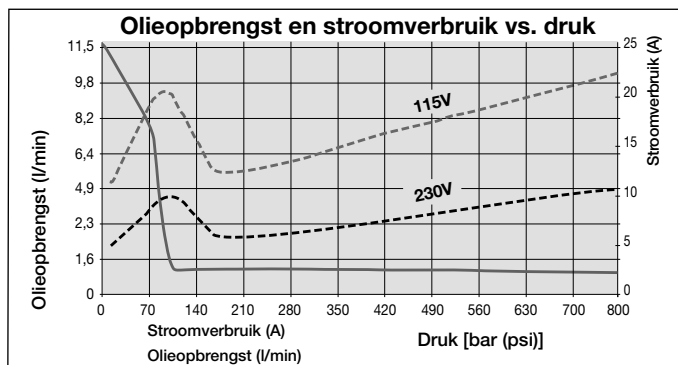


LET OP: Controleer de specificaties op het typeplaatje van de motor om schade aan de elektromotor van de pomp te voorkomen. Het gebruik van een onjuist voltage zal de motor beschadigen.

3.0 SPECIFICATIES

3.1 Werkdiagram (zie onderaan de bladzijde)

3.2 Olieopbrengstdiagram (Zie Figuur 1)



Figuur 1, Olieopbrengstdiagram

▼ ZU4 Werkdiagram

Motor- vermogen (kW)	Olieopbrengst l/min				Specificaties Elektrische Motor (Volt-Fases-Hz)	Geluids- niveau (dBA)	Instelberiek drukbelegingsventiel Bar
	7 bar	50 bar	350 bar	700 bar			
1,25*	11,5	8,8	1,2	1,0	115-1-50/60 230-1-50/60	85-90	95-700

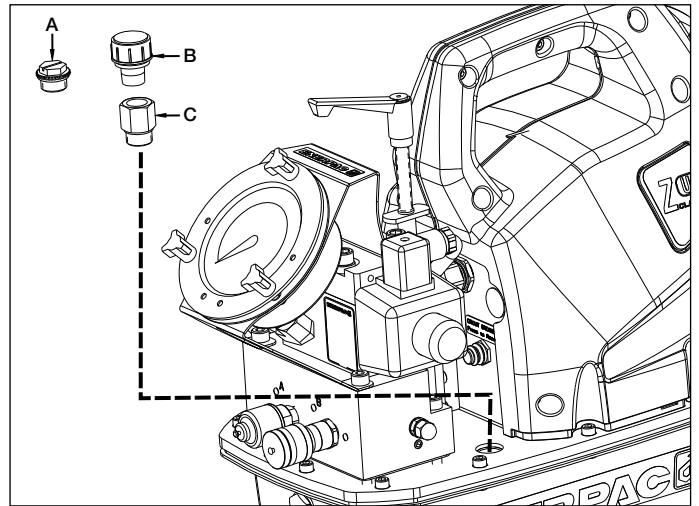
*Het verbruikte motorvermogen hangt af van de toepassing. Zie figuur 1.

4.0 INSTALLATIE

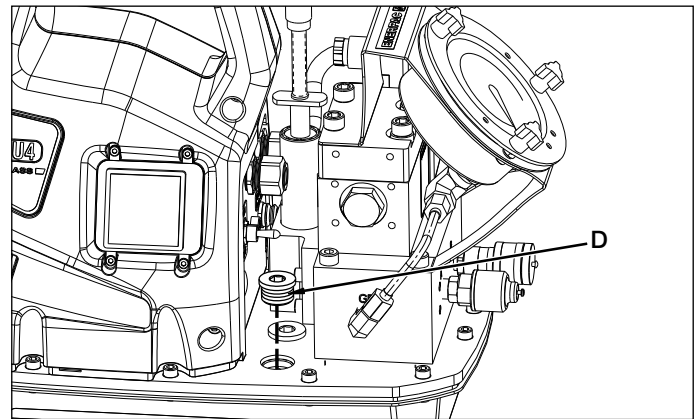
Installeer of plaats de pomp zodanig dat er voor gezorgd wordt dat de luchtstroming rondom de motor en pomp niet wordt belemmerd. Houd de motor schoon om tijdens de werking voor een maximale afkoeling te zorgen.

4.1 Ontluchttingsdop en olieuldop (Zie Figuren 2 en 3)

Een verzendingsdop (A) is geïnstalleerd op de ontluuchtingspoort bovenop het reservoir. Voordat de pomp wordt gebruikt, vervang de verzendingsdop (A) door de ontluuchtingsdop (B) en aanpassingsfiting (C). Opmerking: De olieuldop ligt aan de tegenovergestelde zijde van de pomp. De olieuldop gebruikt een SAE nr. 10 plug (D).



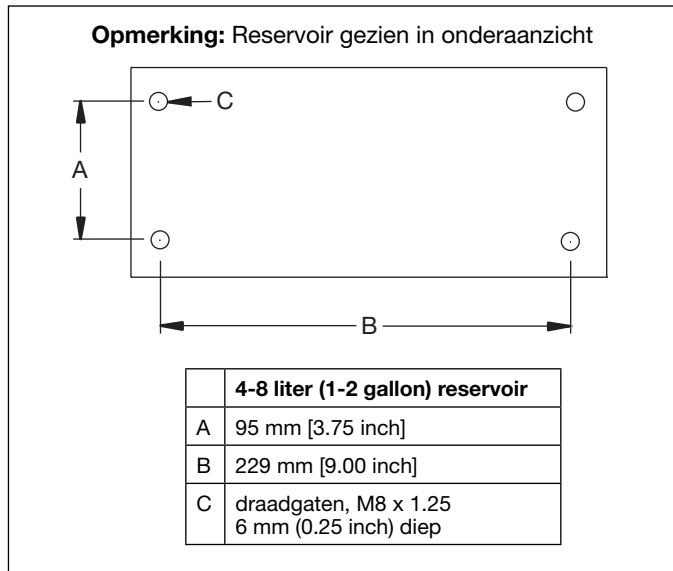
Figuur 2, Ontluchttingsinstallatie



Figuur 3, Olieuldop

4.2 Pompbevestiging (Zie Figuur 4)

Raadpleeg Figuur 3 voor de montageafmetingen om de pomp op een stabiel oppervlak vast te zetten.



Figuur 4, Bevestigingsafmetingen

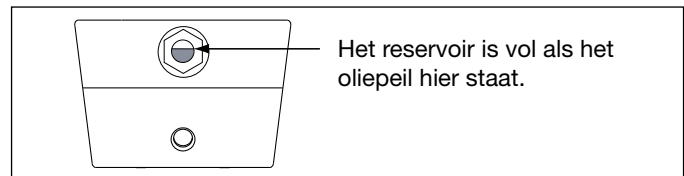
4.3 Elektrische Verbindingen

DE POMP WORDT IN DE FABRIEK UITGERUST MET DE GANGBARE ELEKTRISCHE STEKKER VOOR JUISTE SPANNING HET WIJZIGEN VAN HET STEKERTYPE MAG ENKEL UITGEVOERD WORDEN DOOR EEN GEKwalificeerde ELEKTRICIEN, MET HET INACHTNEMEN VAN ALLE VAN TOEPASSING ZIJNDE PLAATSELIJKE EN NATIONALE REGELGEVING;

- De uitschakel- en schakelbeveiliging dient door de klant voorzien te worden. Lijnschakelingsbeveiligingen dienen 115% te bedragen van de volledige motorspanning bij maximum druk van de toepassing (zie Figuur 1).
- Voor bijkomende informatie wordt verwezen naar het identificatieplaatje van de pomp met de capaciteitsvermeldingen.

4.4 Oliepeil

Controleer het oliepeil van de pomp vóór het opstarten; vul indien nodig olie bij door de SAE nr 10 plug uit de dekplaat te verwijderen (zie figuur 3). Het reservoir is vol wanneer het oliepeil is zoals weergegeven in Figuur 5.



Figuur 5, Peilglas

Belangrijk: Vul alleen olie bij wanneer alle systeemonderdelen volledig ingetrokken zijn; anders bevat het systeem meer olie dan het reservoir kan bevatten.

4.5 Hydraulische slangen aansluiten

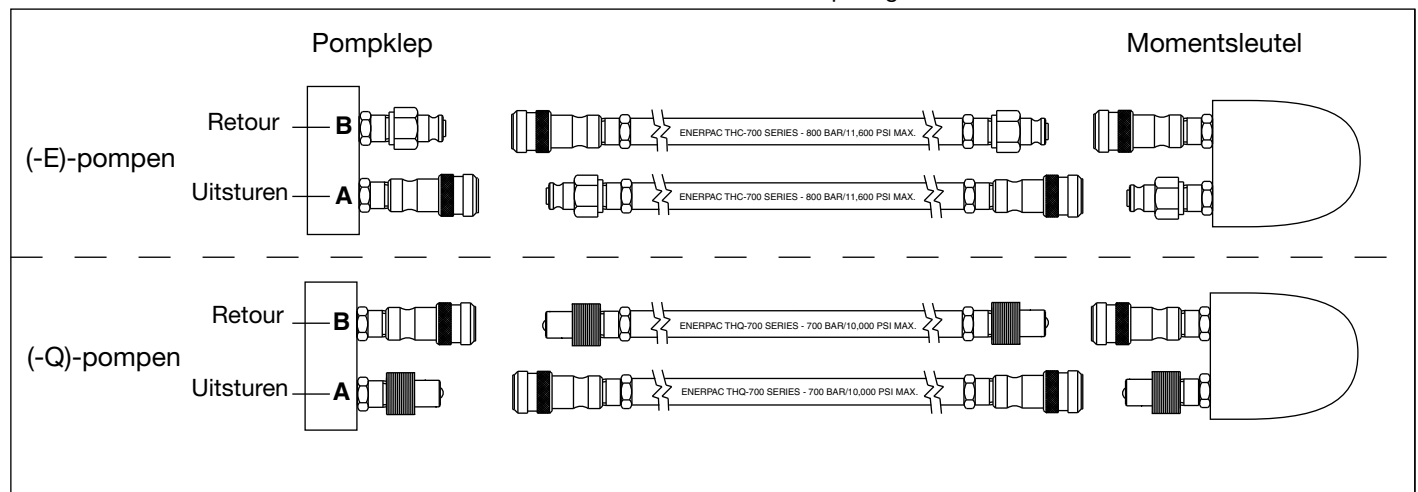
Sluit de slangen aan zoals in figuur 6 wordt getoond.

- (-E)-Pomptype voor Enerpac SQD en HXD-momentsleutels: Zorg er voor dat er slangen gebruikt worden met als merktekens "Enerpac THC-700 Series - 800 bar/11600 psi max.". De koppelingen op deze slangen zijn "gepolariseerd" in de fabriek teneinde de correcte momentsleutelwerking te verzekeren.
 - Slang en sleutel vrouwelijke koppelingen. De sluitringen van de koppeling met schroefdraad met de hand vastdraaien; geen gereedschappen benodigd.
 - De vrouwelijke koppelingen van de (-E)-pomp zijn zelfsluitend; druk de overeenstemmende koppelingen samen totdat de sluitring van de koppeling naar voren klikt. Om te ontkoppelen draait u de sluitring van de koppeling naar rechts en duwt u hem van de aansluiting weg.
- (-Q)-Pomptype voor Enerpac S- en W-series momentsleutels en andere merken: Maak gebruik van slangen met merktekens "Enerpac THQ-700 series - 700 bar/10.000 psi max.". De koppelingen dienen gepolariseerd te zijn volgens Figuur 5 voor de correcte momentsleutelwerking. Zorg er vóór gebruik voor dat de koppelingen volledig aangesloten en vastgedraaid zijn. Gedeeltelijke aansluiting van de koppelingen verhindert een juiste momentsleutelwerking.



WAARSCHUWING: Bij gebruik van (-Q)-pompen een manifold voor gebruik met meerdere momentsleutels en voordat de pomp wordt gestart, moet u ervoor zorgen dat de beschermkappen volledig op de ongebruikte koppelingen zijn aangebracht.

Opmerking: Wanneer de momentsleutel de eerste keer op de pomp wordt aangesloten zal er lucht in het hydraulische circuit opgesloten zitten. Verwijder de lucht door de momentsleutel en rechtgetrokken slangen onder de pomp te leggen, en de momentsleutelzonder belasting te laten werken totdat hij draait zonder hapering.



Figuur 6, Slangbevestiging

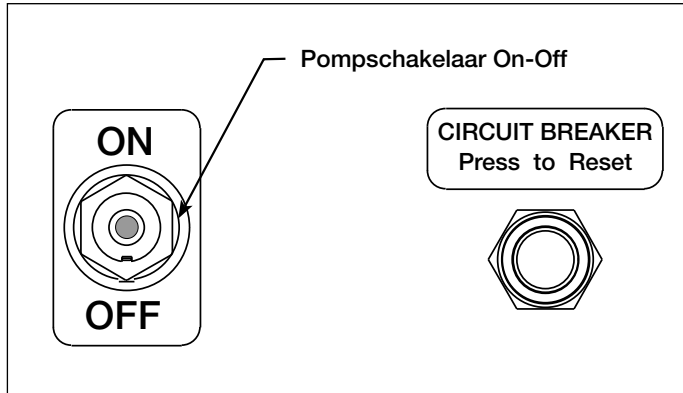
5.0 WERKING

5.1 Pomp Aan-Uit Schakelaar (zie Figuur 7)

Posities Aan-Uit Schakelaar:

1. ON – Pomp onder controle van de afstandsbediening Pomp start wanneer de "ON/ADV" knop op de afstandsbediening wordt ingedrukt.
2. OFF – Afstandsbediening uitgeschakeld. Pomp start niet wanneer de "ON/ADV" knop op de afstandsbediening wordt ingedrukt.

Stroomonderbreker: Indien uitgeschakeld, druk op de knop om te resetten.

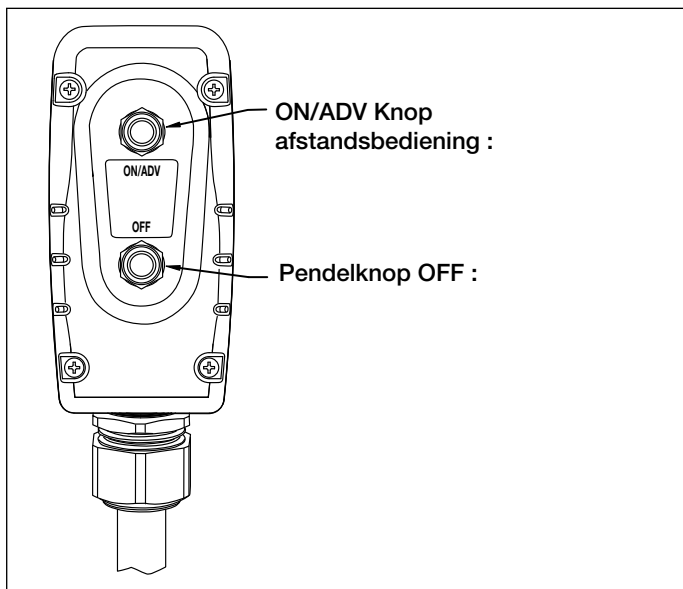


Figuur 7, Pompcontrolepaneel

5.2 Werking afstandsbediening (Zie Figuur 8)

1. "ON/ADV" knop afstandsbediening :
 - Knop ingedrukt - Motor wordt INGESCHAKELD. De sleutel beweegt VOORUIT zolang de knop ingedrukt wordt gehouden.
 - Knop los - Momentsleutel wordt TERUGGETROKKEN. De motor blijft nog tot 20 seconden draaien.
2. Pendelknop "OFF":
 - Knop ingedrukt - Motor wordt onmiddellijk UITGESCHAKELD.

Opmerking: De motor zal onmiddellijk worden uitgeschakeld indien de aan-uit schakelaar van de pomp op UIT wordt gezet terwijl de pomp draait.



Figuur 8, Knoppen Afstandsbediening

5.3 Pompbediening

BELANGRIJK: : Indien mogelijk, mag slechts één gebruiker de momentsleutel en pomp bedienen. Dit kan onopzettelijke activering van de pomp voorkomen terwijl de operator bezig is met het plaatsen van de momentsleutel.

1. Controleer alle systeemfittings en -aansluitingen om te verzekeren dat zij goed vastzitten en niet lekken.
2. Controleer het oliepeil in het reservoir en vul indien noodzakelijk olie (zie sectie 4.4)
3. Zorg ervoor dat de verzendplug verwijderd en de ontluichtingsdop geïnstalleerd is (zie sectie 4.1)
4. Sluit het apparaat op de netspanning aan. Beweeg de aan-uit schakelaar naar de AAN-positie. Zie figuur 7.



WAARSCHUWING: In de volgende stap zal de pompmotor starten, en zal het ventiel automatisch verschuiven waardoor de momentsleutel wordt ingetrokken. Verifieer voordat de motor wordt gestart dat de momentsleutel zodanig geplaatst is, dat letsel of schade aan de apparaten wordt vermeden.

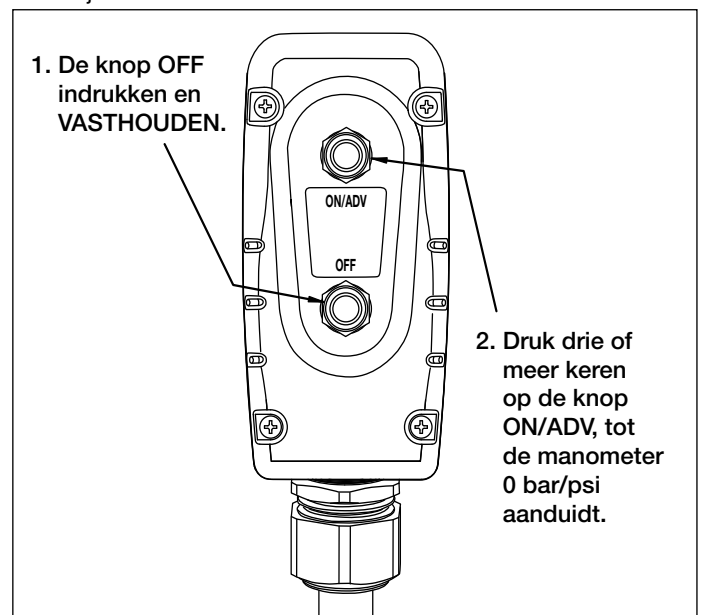
5. Om de pomp te starten, drukt u op de "ON/ADV"-knop op de pendelhanger. Zie Figuur 8. De motor zal automatisch starten en de sleutel zal vooruit beginnen te bewegen. Zo lang de knop ingedrukt wordt gehouden beweegt de momentsleutel vooruit.
6. Laat de "ON/ADV" knop los om de sleutel in te trekken. Nadat de knop wordt losgelaten, toont de meter de druk in het achteruircircuit (B-poort-bypass) aan: ongeveer 173 -193 bar.
7. Druk de "OFF/DUMP" knop in om de motor te stoppen.

Opmerking: Indien gedurende een opeenvolgende periode van 20 seconden de "ON/ADV" knop niet wordt ingedrukt, schakelt de ingebouwde timer van de pomp de motor automatisch uit.

5.4 Druk ontlasten

Hydraulische druk ontlasten op de sleutel en slangen:

- De knop "OFF" ingedrukt houden. Zie Figuur 9.
- Terwijl de knop "OFF" ingedrukt wordt gehouden, druk drie of meer keren op de knop "ON/ADV" en laat die telkens los, tot de manometer 0 bar/psi aanduidt. De slangen kunnen nu worden verwijderd.



Figuur 9, Druk ontlasten

5.5 Werkingsprocedure van de meter en het foedraal

Op de pomp is een drukmeter geïnstalleerd. Gemakshalve worden bij elke pomp torsiefoedralen geleverd. Een torsiefoedraal past over de schaalverdeling van de drukmeter, en zet de drukaflezingen gemakkelijk om in torsieaflezingen (zie fig. 10, Zicht A). Dit foedraal is voorzien van Imperial eenheden (Ft-lbs) langs de éne zijde, en van metrische eenheden (Nm) langs de andere. Om de schaalverdeling te veranderen zet u eenvoudigweg het foedraal op de meter.



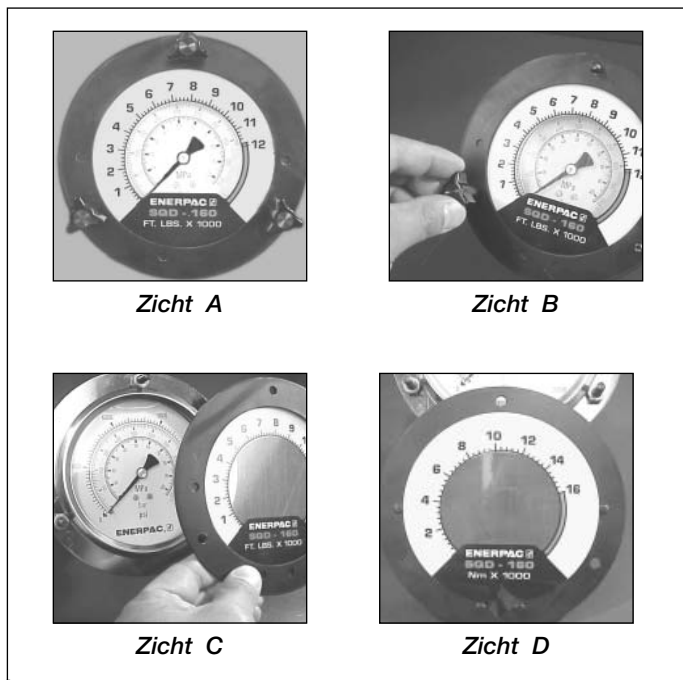
WAARSCHUWING: Elk foedraal is UITSLUITEND op maat gemaakt voor een specifieke Enerpac-torsiesleutel. Mag niet op andere sleutels worden gebruikt.

5.6 Het foedraal veranderen

1. Verwijder de drie zwarte vleugelknoppen die de flens van de voorste meter op haar plaats houden (zie fig. 10, Zicht B).
2. Verwijder de voorste flens en het foedraal (zie fig. 10, Zicht C).
3. Breng het nieuwe foedraal op de flens aan (vergeet niet te verifiëren dat het juiste foedraal op de gebruikte Enerpac-torsiesleutel wordt geplaatst), en breng het foedraal op één lijn met de holtes aan de achterkant van de flens (zie fig.10, Zicht D).
4. Terwijl het foedraal achter de flens wordt gehouden (zie Fig.10, Zicht C) kan de flens op de penntjes van de knop worden aangebracht, waarbij de foedraal naar behoeven kan geherpositioneerd worden, en zet men de knoppen handvast (zie Fig.10, Zicht B). De flens drukt het foedraal op de meter en houdt die op de juiste plaats. Zie de instructies voor de torsiesleutel voor de vereiste hoeveelheid druk om de gewenste torsie te genereren. Er dient opgemerkt te worden dat de maximale druk voor de verschillende sleutels en hulpstukken varieert.



VOORZICHTIG: Raadpleeg de instructies van de torsiesleutel voor de sleutelwerkingprocedure.



Figuur 10, Plaatsen van het foedraal

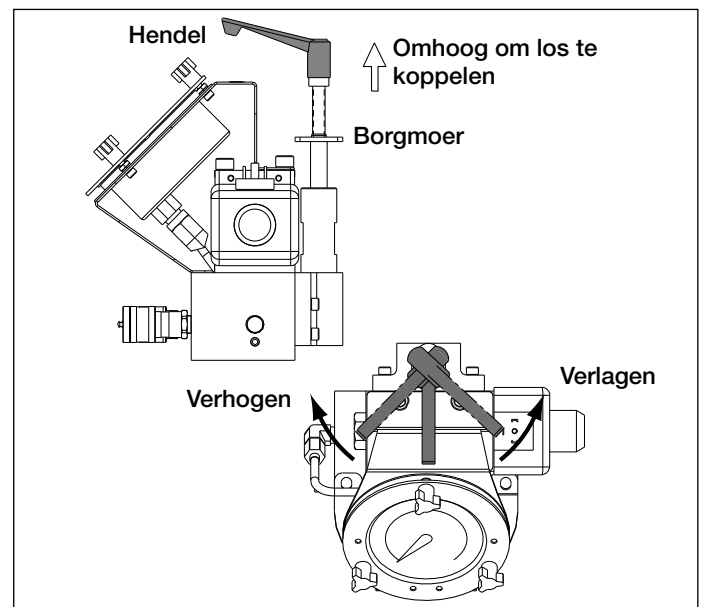
5.7 Druk (torsie-)instelling



WAARSCHUWING: Deze instellingen dient men uit te voeren VOORDAT men de momentsleutel op de moer- of boutkop plaatst. Het is mogelijk dat de pompdrukinstelling boven de benodigde druk ligt, teneinde de vereiste momentsleutel voor uw toepassing te verschaffen. De vereiste momentsleutel overschrijden heeft schade aan de apparatuur tot gevolg en kan tot ernstig persoonlijk letsel leiden.

Om de vooruit-druk naar de torsiesleutel te beperken, pas de ontlastklep aan zoals beschreven in de volgende procedure. Zie Figuur 11.

1. Draai de ontlastklep borgmoer los.
2. Draai de ontlastklephendel naar links zoals vereist, tot er weinig of geen weerstand is bij het draaien. Als dit gebeurt, staat de klep is op de laagste stand.
Opmerking: ontlastklephendel draait slechts ongeveer twee derde van een volledige slag. Als het draaien stopt, trek de hendel op om los te koppelen. Vervolgens herpositioneren en opnieuw de hendel aantrekken voor extra afstelling (zoals vereist).
3. Schakel de pompschakelaar on-off naar ON.
4. Houd de pendelknop "ON/ADV" ingedrukt. De motor start en de druk bouwt op in het vooruit-circuit van de A-poort.
5. Terwijl de knop "ON/ADV" wordt vastgehouden, draai de ontlastklephendel LANGZAAM naar rechts totdat de druk verhoogt tot de gewenste instelling.
Opmerking: voor een nauwkeurige instelling moet de druk altijd worden verlaagd tot een punt beneden de uiteindelijke instelling, en verhoog de druk daarna langzaam totdat de uiteindelijke instelling is bereikt.
6. Laat de knop "ON/ADV" los zodat de systeemdruk terugkeert naar de terugtrekinstelling van de B-poort. De motor blijft draaien.
7. Houd de "ON/ADV" ingedrukt om de drukinstelling van het vooruit-circuit opnieuw te controleren. Verifieer of de gewenste druk wordt aangeduid op de manometer.
8. Nadat de gewenste drukinstelling wordt bereikt, draai de ontlastklep borgmoer vast.



Figuur 11, Instelling drukregelventiel

6.0 ONDERHOUD

Inspecteer alle systeemonderdelen regelmatig op lekken of schade. Repareer of vervang beschadigde onderdelen. Elektrische componenten, bijvoorbeeld het netsnoer, mogen enkel hersteld of vervangen worden door een gekwalificeerde technicus, waarbij alle plaatselijke en nationale regels dienen nageleefd te worden.

6.1 Oliepeil controleren

Controleer het oliepeil vóór het opstarten van de pomp en vul zonodig olie bij door de vulpoortdop te verwijderen. Zie Figuren 3 en 5. Zorg er steeds voor dat de torsiesleutel volledig is teruggetrokken alvorens olie aan het reservoir toe te voegen.

6.2 Olie verversen en reservoir reinigen

Enerpac HF olie is helderblauw van kleur. Controleer regelmatig of de olie in de pomp is verontreinigd door de kleur ervan met verse Enerpac olie te vergelijken. Over het algemeen dient het reservoir na elke 250 bedrijfsuren volledig leeggegoten en gereinigd te worden. In omgevingen met veel vuil, is dit vaker nodig.

NB: Verwijder de pomp van het reservoir voordat u deze procedure uitvoert. Gebruik een schone werkbank en gooi de gebruikte olie weg volgens de plaatselijke voorschriften.

1. Verwijder de aftapdop en laat alle olie uit het reservoir lopen. Reinig de aftapdop en plaats deze opnieuw.
2. Schroef de 13 bouten los die de dekplaat op het reservoir vastmaken, en til de pompeenheid uit het reservoir. Zorg ervoor dat u het filterscherm niet beschadigt.
3. Maak het reservoir en de reservoirmagneet (indien aanwezig) grondig schoon met een geschikt reinigingsmiddel.
4. Verwijder het uitneembare filterscherm om het te reinigen. (niet aan het scherm of de onderkant van de inlaat trekken om mogelijke schade te voorkomen). Maak het scherm met een oplosmiddel en een zachte borstel schoon. Plaats het geheel terug.
5. Monteer de pomp en het reservoir opnieuw, en installeer een nieuwe pakkingring in het reservoir.
6. Vul het reservoir met verse hydraulische olie van Enerpac. Het reservoir is vol wanneer het oliepeil is zoals weergegeven in Figuur 5.

6.3 Vervanging koolborstel

Om schade aan de motor te voorkomen, zijn de ZU4 koolborstels voorzien van een automatische motorstop wanneer één van de borstelkoolstofstaven een lengte bereikt van 6mm. Inspecteer beide koolborstels.

1. Schakel de netspanning op de pomp uit.



GEVAAR: Om mogelijke elektrische schokken te voorkomen, en voordat er onderhoud aan de koolborstels wordt uitgevoerd, moet de pomp volledig van de netspanning ontkoppeld zijn.

2. Verwijder beide borsteldoppen (A) door de grendel (B) van de borsteldoppen weg te duwen en door ze zachtjes naar buiten te trekken (zie Figuur 12).
3. Verwijder de koolborstels door de zwarte dop tegen de richting van de klok in te draaien.
4. Vervang beide koolborstels en voer voor de hermontage de procedure in omgekeerde volgorde uit.

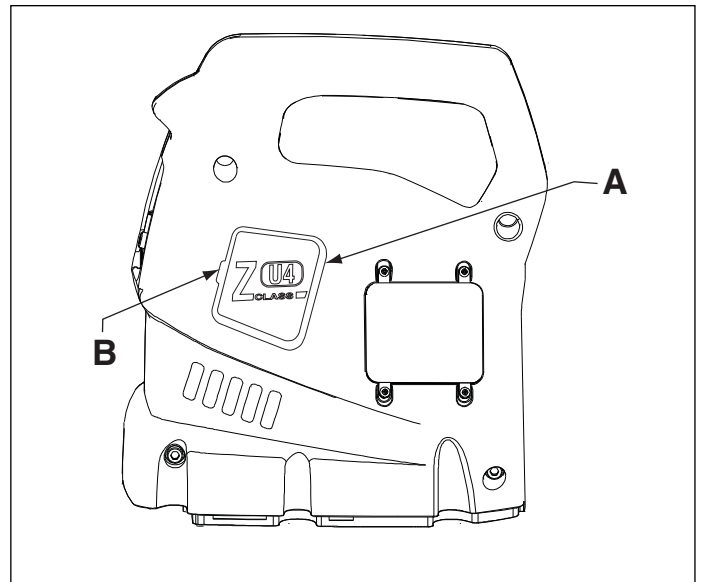


Figure 12, Verwijderen van de Borsteldoppen

A. Borsteldop

B. Grendel voor Borsteldop

7.0 PROBLEEMOPLOSSING (Zie De Gids Voor Probleemoplossing)

Uitsluitend bevoegde hydraulische technici mogen onderhoud aan de pomp of systeemonderdelen verrichten. Een systeemstoring kan al dan niet het gevolg zijn van een pompdefect. Om de oorzaak van het probleem vast te stellen moet het volledige systeem in een diagnoseprocedure worden betrokken.

De volgende informatie is uitsluitend bedoeld om te worden gebruikt als hulpmiddel om vast te stellen of er een probleem aanwezig is. Voor reparatieonderhoud neemt u contact op met uw plaatselijke bevoegde Enerpac Servicecentrum.

Gids Probleemoplossing		
Probleem	Mogelijke oorzaak	Actie
Pomp start niet wanneer de "ON/ADV" knop wordt ingedrukt	Geen spanning	Breng voedingspanning aan
	Aan-uit knop van de pomp in de "OFF"-positie	Beweeg de schakelaar naar de "ON"-stand
	De stroomonderbreker werd uitgeschakeld	Druk de knop van de stroomonderbreker in
	Lage spanning	Turn off other electric loads Gebruik een zwaarder verlengsnoer
	Motorborstels zijn aan het einde van hun levensduur en versleten	Zie Sectie 6.3, Vervanging van de Motorborstels
	Afstandsbediening beschadigt	Repareer of vervang de afstandsbediening Raadpleeg bevoegd servicecentrum
De motor slaat af bij belasting	Lage spanning	Turn off other electric loads Gebruik een zwaarder verlengsnoer
Elektrisch ventiel werkt niet	Geen stroom op de pomp, of verkeerde spanning	Verbind de juiste spanningsbron zoals aangeduid op het pompplaatje
	Snoer van de elektrisch ventiel is niet verbonden of beschadigd	Verbind, herstel, of vervang de kabel
	Spoel van elektrisch ventiel werkt niet	Raadpleeg bevoegd servicecentrum
	Ventiel niet juist ingesteld	Raadpleeg bevoegd servicecentrum
De pomp bouwt geen druk op of bouwt minder dan de volledige druk op	Laag oliepeil	Olie bijvullen volgens sectie 4.4
	Ontlastventiel te laag ingesteld	Afstellen volgens sectie 5.7
	Uitwendige systeemlek	Inspecteren en herstellen of vervangen
	Inwendige lek in de pomp	Raadpleeg bevoegd servicecentrum
	Inwendige lek in ventiel	
	Inwendige lek in systeemonderdeel	
Pomp bouwt volledige druk op, maar de torsiesleutel gaat niet vooruit	Benodigde moment is groter dan de momentsleutelcapaciteit bij volledige druk	Gebruik momentsleutel met grotere capaciteit
	Uitgaande oliestroom naar momentsleutel is te beperkt of geblokkeerd	Controleer de koppelingen op volledige aansluiting, volgens sectie 4.5
Momentsleutel wordt niet ingetrokken	Retourflowleiding gekneld of geblokkeerd	Controleer de koppelingen op volledige inschakeling Laat motor draaien tijdens het terugtrekken
	Retourflowleiding beknelde of geblokkeerd	Raadpleeg bevoegd servicecentrum
Er zit druk gevangen in de slangen nadat de pompmotor stopt	Druk niet ontlast	Druk ontlasten volgens Sectie 5.4.
De pomp wordt heet	Ingaande (retour) of uitgaande oliestroom beperkt	Controleer de koppelingen op volledige aansluiting, volgens sectie 4.5
	Hoge omgevingstemperatuur	Installeer de warmtewisselaar

L2906 Rev. C 12/10

Folhas de Instrução para este produto estão disponíveis no Site de Enerpac - www.enerpac.com, ou no Centro de Serviço Autorizado mais próximo, ou com o Escritório de Vendas Enerpac.

1.0 INSTRUÇÕES IMPORTANTES NO RECEBIMENTO

Inspecione visualmente todos os componentes verificando se houve avarias durante o transporte. Avarias no transporte não são cobertas pela garantia. Caso haja avarias no transporte, avise o transportador imediatamente. O transportador é responsável por todos os custos de consertos e substituições decorrentes de avarias ocorridas no transporte.

SEGURANÇA EM PRIMEIRO LUGAR

2.0 ASSUNTOS DE SEGURANÇA



Leia cuidadosamente todas as instruções, advertências e avisos sobre precaução. Siga todas as recomendações de segurança para evitar lesões pessoais ou danos à propriedade durante a operação do sistema. Enerpac não pode ser responsável por danos ou lesões pessoais resultantes do uso indevido do produto, falta de manutenção ou operação inadequada do produto e/ou sistema. Entre em contato com Enerpac quando houver dúvidas sobre as recomendações de segurança e operações. Se você nunca recebeu treinamento em segurança na hidráulica de alta pressão, consulte o seu distribuidor ou centro de serviço sobre um curso de segurança hidráulica Enerpac.

Falhas no cumprimento das advertências e avisos de precaução podem causar lesões pessoais e avarias ao equipamento.

PRECAUÇÃO é usada para indicar a operação correta ou os procedimentos e métodos de manutenção para prevenir o dano, a destruição do equipamento ou outras propriedades.

ADVERTÊNCIA indica um perigo potencial que exige procedimentos ou métodos corretivos para evitar lesões pessoais.

PERIGO é usado somente quando a ação ou a falta da mesma podem causar lesões sérias ou mesmo a morte.



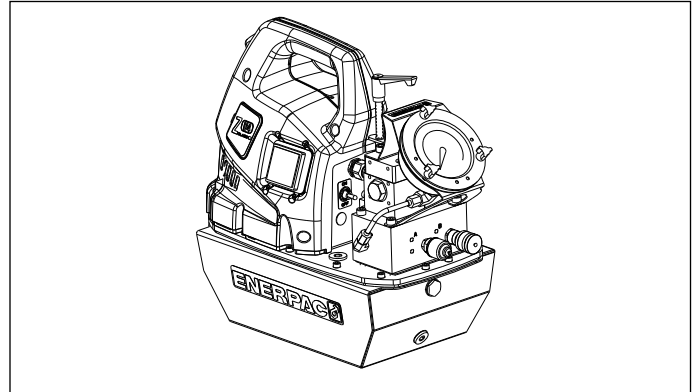
ADVERTÊNCIA: Use equipamentos individuais de proteção quando acionar equipamentos hidráulicos.



ADVERTÊNCIA: Mantenha distância de cargas apoiadas por cilindros hidráulicos. Um cilindro, quando utilizado como dispositivo de levantamento, jamais deve ser usado como dispositivo de sustentação de carga. Depois de haver sido levantada ou baixada, a carga deve sempre ser bloqueada mecanicamente.



ADVERTÊNCIA: USE SOMENTE PEÇAS RÍGIDAS PARA APOIAR CARGAS. Selecione cuidadosamente blocos de madeira ou ferro que sejam capazes de sustentar a carga. Nunca use um cilindro hidráulico como um calço ou espaçador em qualquer aplicação de levantamento ou prensagem.



PERIGO: Para evitar lesões pessoais mantenha mãos e pés longe do cilindro e da área de trabalho durante a operação.



ADVERTÊNCIA: A pressão de operação do sistema não deve exceder a capacidade de pressão do componente de menor capacidade no sistema. Instale manômetros de pressão no sistema para monitorar a pressão de operação. É a sua janela para o que está acontecendo no sistema.



PRECAUÇÃO: Evite danificar mangueiras hidráulicas. Evite curvas ou dobras pronunciadas quando direcionar as mangueiras hidráulicas. O uso de uma mangueira curvada ou dobrada causará aumento na pressão de retorno. Curvas ou dobras pronunciadas danificarão a mangueira internamente, levando a um desgaste prematuro.



Não derrube objetos pesados na mangueira. Um forte impacto pode causar danos à trama interna de aço da mangueira. A aplicação de pressão em uma mangueira danificada pode causar a sua ruptura.



IMPORTANTE: Não levante o equipamento hidráulico pela mangueira ou pelos engates. Use manoplas ou outros meios mais seguros para o transporte.



PRECAUÇÃO: Mantenha o equipamento hidráulico longe do calor e das chamas. O calor excessivo amolece vedações e selos, resultando em vazamento de fluidos. O calor também enfraquece o material das mangueiras e das juntas. Para um desempenho otimizado não exponha o equipamento a temperaturas maiores que 65 °C (150 °F). Proteja mangueiras e cilindros dos respingos de solda.



PERIGO: Não manuseie mangueiras pressurizadas. O escape do óleo sob pressão pode penetrar na pele, causando lesões sérias. Se o óleo penetrar na pele, procure um médico imediatamente.



ADVERTÊNCIA: Use somente os torquímetros hidráulicos em um sistema conectado. Nunca use um torquímetro com engates não conectadas. Caso o torquímetro fique extremamente sobrecarregado, os componentes podem falhar catastróficamente, causando sérias lesões pessoais.



IMPORTANTE: Somente técnicos em hidráulica, devidamente qualificados, devem fazer a manutenção de equipamentos hidráulicos. Para serviços de manutenção, entre em contato com o Centro de Serviço Autorizado Enerpac em sua área. Para proteger sua garantia, use somente óleo Enerpac.



ADVERTÊNCIA: Substitua imediatamente peças gastas ou danificadas por peças genuínas Enerpac. Peças não genuínas podem quebrar, causando lesões pessoais ou danos à propriedade. As peças Enerpac são projetadas para se encaixar adequadamente e sustentar cargas pesadas.



ADVERTÊNCIA: Não utilize bombas elétricas em ambiente explosivo. Trabalhe sempre de acordo as legislações local e nacional de instalação elétrica. Qualquer instalação ou modificação deve ser realizada por um técnico em eletricidade qualificado.



ADVERTÊNCIA: Mantenha as mãos longe de peças móveis e de mangueiras pressurizadas.



ADVERTÊNCIA: Estas bombas possuem válvulas de alívio pré-ajustadas de fábrica e não podem ser consertadas ou ajustadas, exceto por um Centro de Serviço Autorizado Enerpac.



PRECAUÇÃO: Antes de ligar o motor elétrico da bomba, verifique sua voltagem e capacidade. O uso de voltagem incorreta causa danos ao motor.

3.0 ESPECIFICAÇÕES

3.1 Tabela de Desempenho (ver parte inferior da página)

3.2 Diagrama de Vazão (ver Figura 1):

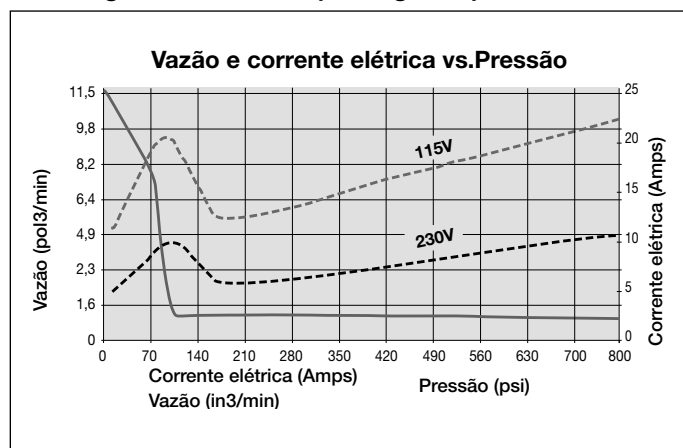


Figura 1, Diagrama de Vazão

4.0 INSTALAÇÃO

Instale ou posicione a bomba certificando-se de que o fluxo de ar ao redor do motor e da bomba não está obstruído. Mantenha o motor limpo para garantir resfriamento máximo durante a operação.

4.1 Tampa de Respiro e Bujão de Abastecimento de Óleo (Ver Figuras 2 & 3)

Um bujão para transporte (A) é instalado na saída do respiro na parte superior do reservatório. Antes de usar a bomba, substitua o bujão de transporte (A) pela tampa do respiro (B) e conexão do adaptador (C). Nota: A saída de abastecimento de óleo está localizada no lado oposto da bomba. A saída de abastecimento de óleo (D) requer um plugue SAE #10.

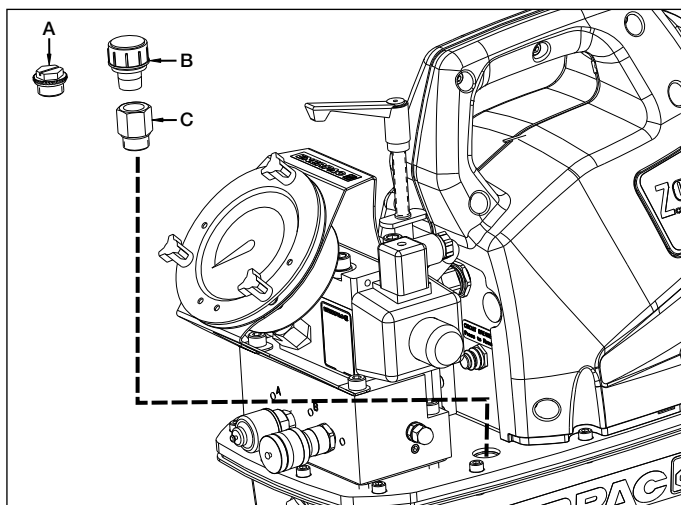


Figura 2, Instalação do Respiro

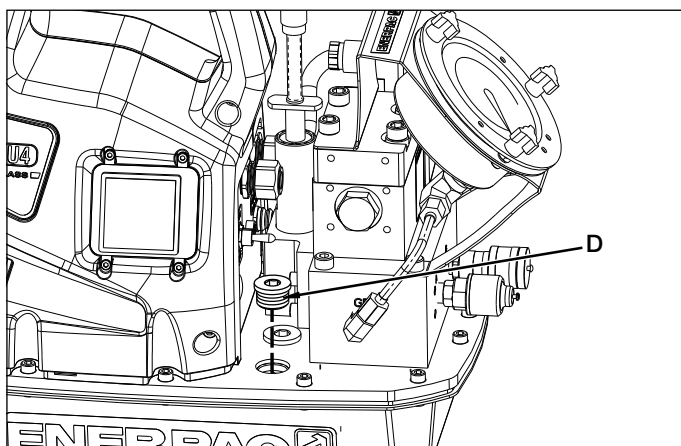


Figura 3, Bujão de Abastecimento de Óleo

▼ Tabela de Desempenho da ZU4

Tamanho do Motor (hp)	Vazão na Saída pol³/min				Especificações do Motor Elétrico (Volts-Ph-Hz)	Nível de Ruído (dBA)	Faixa de Ajuste da Válvula de Alívio (psi)
	7 bar	50 bar	350 bar	700 bar			
1.7*	700	535	76	60	115-1-50/60 230-1-50/60	85-90	1,400-10,000 para versão "Q" 1,400-11,600 para versão "E"

*Consumo efetivo de força depende da aplicação. Ver Figura 1.

4.2 Montagem da Bomba (Ver Figura 3)

Veja na Figura 3 as dimensões de montagem para fixação da bomba em superfície firme.

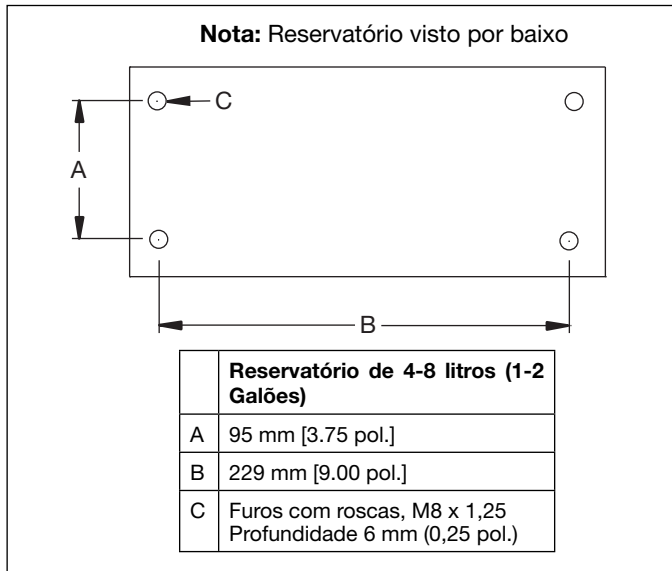


Figura 4, Dimensões de Montagem

4.3 Ligações Elétricas

A BOMBA É EQUIPADA DE FÁBRICA COM UM CONECTOR ELÉTRICO COMUM PARA UMA DETERMINADA VOLTAGEM. ALTERAÇÕES NO TIPO DE CONECTOR DEVEM SER REALIZADAS SOMENTE POR UM TÉCNICO QUALIFICADO EM ELETRICIDADE, E DE ACORDO COM AS LEGISLAÇÕES LOCAL E NACIONAL.

1. A proteção das linhas do circuito e os disjuntores devem ser fornecidos pelo cliente. A proteção da linha de circuito deve ser de 115% do valor da amperagem do motor, na carga máxima da aplicação. (Ver Figura 1).
2. Para maiores informações, verifique na plaqueta da bomba a amperagem nominal.

4.4 Nível de Óleo

Verifique o nível de óleo da bomba antes de acionar a bomba, se necessário adicione óleo, removendo o bujão SAE #10 da tampa do reservatório (ver Figura 3). O reservatório está cheio quando o nível de óleo está conforme mostrado na Figura 5.

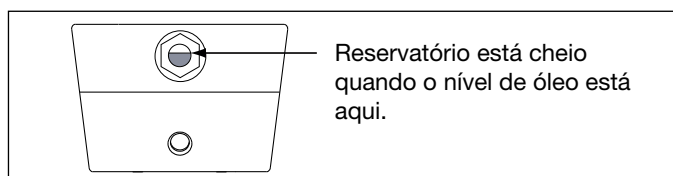


Figura 5, Visor de Vidro

Importante: Adicione óleo somente quando todos os componentes do sistema estiverem em posição totalmente retraída, ou o sistema terá mais óleo que o reservatório pode conter.

4.5 Conectando as Mangueiras Hidráulicas

Conecte as mangueiras conforme mostrado na Figura 6.

1. Bomba tipo (-E) para Torquímetro Enerpac SQD e HXD: Certifique-se em usar as mangueiras com as marcas “Enerpac Série THC-700 - 800 Bar/11.600 psi max.” Os engates rápidos destas mangueiras são “polarizados” de fábrica para garantir a operação correta do torquímetro.

A. Mangueira e engate fêmea do torquímetro. Aperte com os dedos os anéis tipo trava dos engates rápidos, não há necessidade de ferramentas.

B. Os engates rápidos fêmea da bomba (-E) são do tipo trava, pressione os engates correspondentes até ouvir um estalido no anel tipo trava. Para desconectar, gire o anel tipo trava no sentido horário e empurre para fora do engate rápido.

2. Bombas tipo (-Q) para Torquímetro Enerpac S e W e outras marcas. Use as mangueiras com as marcas “Enerpac THQ-700 series - 700 bar/10.000 psi max.” Os engates devem ser polarizados, conforme Figura 5 para garantir a operação correta do torquímetro. Garanta que as conexões estão totalmente engatadas e apertadas, antes da operação. Acoplamento parcial das conexões não vai permitir a operação correta do torquímetro.



AVISO: Ao usar as bombas (-Q) com manifolds múltiplos para torquímetro, certifique-se de que todos os engates não utilizados tenham tampas protetoras instaladas, antes de acionar a bomba.

Nota: Quando o torquímetro é conectado à bomba pela primeira vez, o ar ficará preso no circuito hidráulico. Remova o ar, colocando o torquímetro e as mangueiras alinhadas sob a bomba, acione o torquímetro sem carga até que ele gire sem oscilações.

5.0 OPERAÇÃO

5.1 Interruptor “On-Off” (Liga-Desliga) da Bomba (Ver Figura 7)

Posições do Interruptor “On-Off” (Liga-Desliga):

1. ON – Bomba acionada por controle. Bomba é acionada quando o botão “ON/ADV” (Liga/Avanço) do controle é pressionado.
2. OFF – Controle desativado. Bomba não é acionada quando o botão “ON/ADV” (Liga/Avanço) do controle é pressionado.

Disjuntor: Se desligado, pressione o botão para reiniciar.

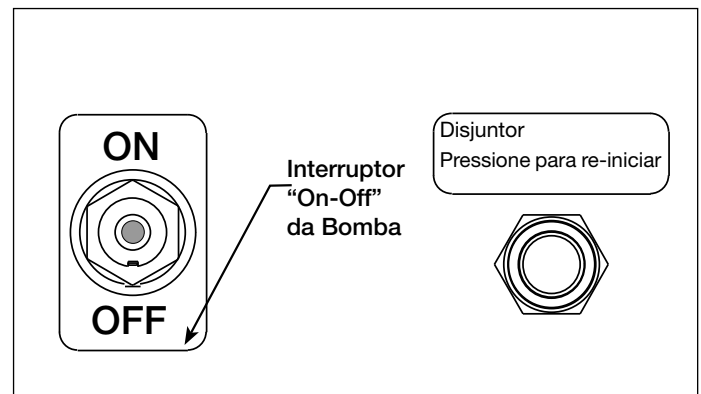


Figura 7, Painel de Controle da Bomba

5.2 Operação do Controle (Ver Figura 8)

1. Botão “ON/ADV” do Controle:
 - Botão pressionado - Motor é LIGADO. Torquímetro AVANÇA enquanto o botão estiver pressionado.
 - Botão liberado – Torquímetro RETORNA. Motor continua girando por até 20 segundos.

2. Botão do Controle “OFF”:

- Botão pressionado - Motor DESLIGA imediatamente.

Nota: O desligamento imediato do motor irá ocorrer se o interruptor “on-off” da bomba for movimentado para a posição “OFF” (Desliga) enquanto esta estiver funcionando.

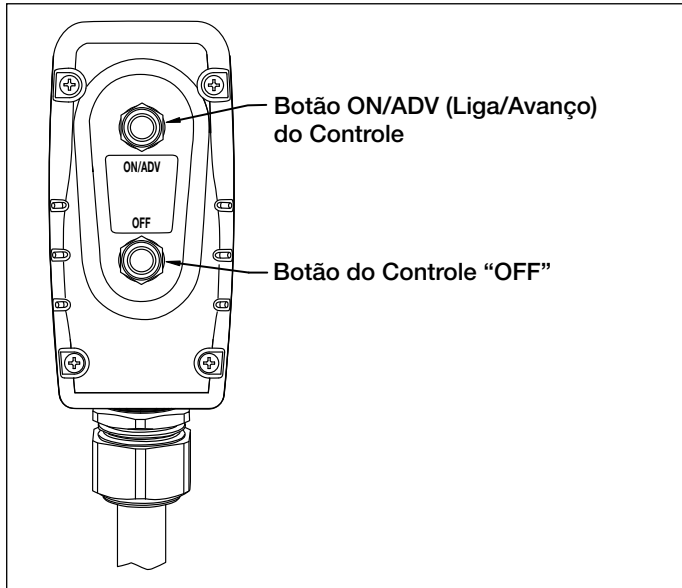


Figura 7, Botões do Controle

5.3 Operação da Bomba

IMPORTANTE: Sempre que possível, somente um único operador deve operar o torquímetro e a bomba. Isto pode evitar o acionamento acidental da bomba enquanto o operador estiver posicionando o torquímetro.

1. Verifique todos os engates e conexões do sistema para ter certeza de que estão apertados e não apresentam vazamento.
2. Verifique o nível de óleo e acrescente, se necessário. (ver seção 4.4)
3. Certifique-se de que o bujão de transporte foi removido e que a tampa do respiro está instalada. (ver seção 4.1)
4. . Conecte a unidade na energia elétrica. Mova o interruptor “on-off” para a posição “ON”. Ver Figura 7.



AVISO: No passo seguinte, o motor da bomba começará a funcionar e a válvula muda de posição automaticamente, fazendo com que o torquímetro

retorne. Verifique se o torquímetro está posicionado para evitar lesões pessoais ou danos ao equipamento, antes do início de funcionamento do motor.

5. Para acionar a bomba, pressione o botão “ON/ADV” no controle. Ver Figura 8. O motor começará a girar automaticamente, fazendo com que o torquímetro avance. O avanço do torquímetro continuará enquanto o botão estiver pressionado.
6. Libere o botão “ON/ADV” para que o torquímetro retorne. Depois da liberação do botão, o manômetro mostrará a pressão no circuito de retorno (by-pass na saída B), aproximadamente 2500 – 2800 psi [173-193 bar].
7. Pressione o botão “OFF/DUMP” (LIGA/DESCARGA) para parar o motor.

Nota: Se o botão “ON/ADV” não for pressionado por qualquer período contínuo de 20 segundos, o “timer” (controlador de tempo) interno da bomba desligará automaticamente o motor.

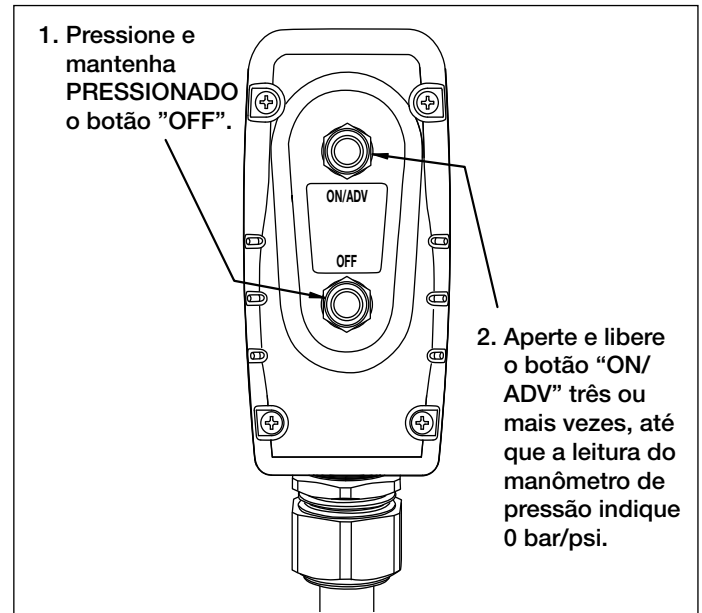


Figura 9, Aliviando a Pressão

5.4 Aliviando a Pressão

Para aliviar a pressão hidráulica no torquímetro e mangueiras:

- Pressione e mantenha pressionado o botão “OFF” (DESLIGADO). Ver Figura 9.
- Enquanto mantém o botão “OFF” pressionado, aperte e libere

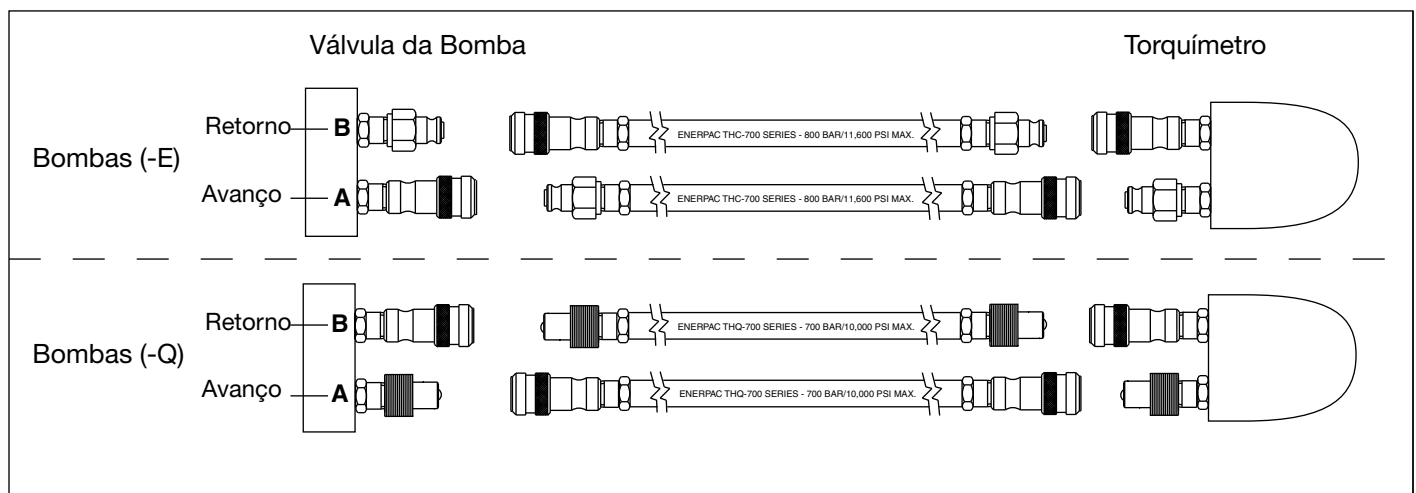


Figura 6, Detalhes da Mangueira

o botão “ON/ADV” três ou mais vezes, até que a leitura do manômetro de pressão indique 0 bar/psi. Agora, a mangueira pode ser removida.

5.5 Procedimento de Funcionamento do Manômetro com Mostrador Sobreposto

A bomba é fornecida com um manômetro de pressão instalado. Para sua conveniência, a leitura do torque pode ser feita por mostradores sobrepostos que são fornecidos com cada bomba. Um mostrador de torque se encaixa sobre o visor do manômetro de pressão para conversão fácil da leitura de pressão em leitura de torque (ver Fig. 10, Vista A). O mostrador sobreposto tem unidades do sistema imperial (Pés-Lbs.) de um lado e unidades do sistema métrico (Nm) do outro. Para a mudança de escalas, mude simplesmente a posição do mostrador.



AVISO: Cada mostrador sobreposto corresponde **SOMENTE** a um determinado torquímetro Enerpac. Não utilize com outros torquímetros.

5.6 Trocando o Mostrador sobreposto

1. Remova as três porcas pretas tipo borboleta que mantêm o flange do visor em posição (ver Fig. 10, Vista B).
2. Remova o flange do visor e o mostrador (ver Fig. 10, Vista C).
3. Insira um novo mostrador sobreposto (lembre-se de identificar o mostrador sobreposto correto para o torquímetro em uso) sobre o flange, alinhando-o com as saliências da parte posterior do flange (ver Fig. 10, Vista D).
4. Enquanto segura o mostrador por trás do flange, (ver Fig. 10, Vista C) insira o mesmo no prisioneiro das porcas borboleta, ajustando a posição do mostrador, conforme necessário e apertando as porcas borboleta com os dedos (ver Fig. 10, Vista B). O flange vai pressionar o mostrador sobreposto contra o manômetro para mantê-lo em posição. Veja nas instruções do torquímetro a quantidade de pressão necessária para produzir o torque exigido. Note que a pressão máxima varia para os diferentes torquímetros e acessórios.



PRECAUÇÃO: Verifique nas instruções sobre torquímetro as informações sobre os procedimentos de funcionamento.

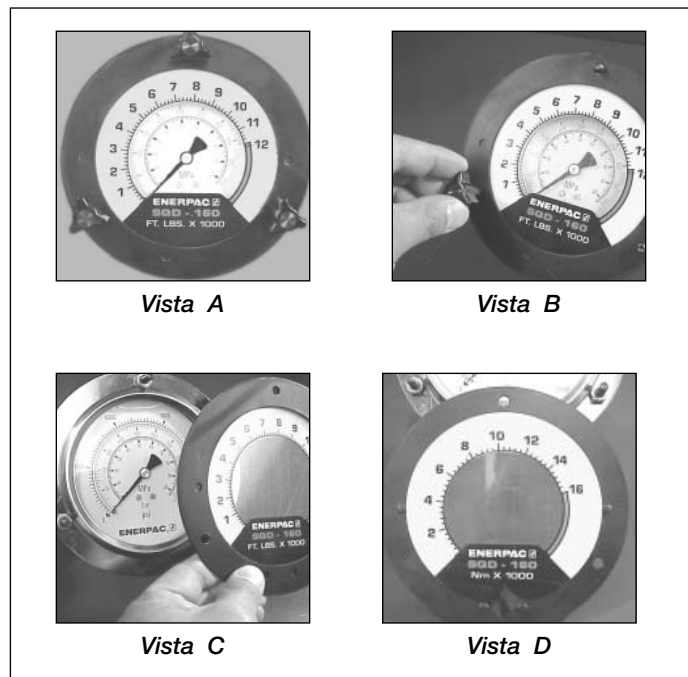


Figura 10, Instalação do Mostrador Sobreposto

5.7 Ajuste (Torque) de Pressão



AVISO: Faça estes ajustes **ANTES** de posicionar o torquímetro sobre a porca ou sobre a cabeça do parafuso. O ajuste de pressão da bomba pode ser superior àquela necessária para fornecer o torque exigido para a sua aplicação. Exceder o torque exigido pode causar danos ao equipamento ou levar a sérias lesões pessoais.

Para limitar a pressão de avanço do torquímetro, ajuste a válvula de alívio conforme descrito no procedimento a seguir. Ver Figura 11.

1. Solte a porca trava da válvula de alívio.
2. Gire a alavanca da válvula de alívio no sentido anti-horário, conforme necessário, até que haja pouca ou nenhuma resistência ao girar. Quando isto ocorre, a válvula está em seu ajuste mais baixo.
3. Movimento o interruptor “on-off” da bomba para ON (LIGADO).
4. Pressione e mantenha pressionado o botão do controle “ON/ADV”. Motor vai funcionar e pressão será gerada na Saída A do circuito de avanço.
5. Enquanto continua pressionando para baixo o botão “ON/ADV” **VAGAROSAMENTE** gire a alavanca da válvula de alívio no sentido horário, até que a pressão aumente para o ajuste desejado.
6. Libere o botão “ON/ADV” para permitir que o sistema de pressão retorne para a Saída de retorno B do ajuste. O motor continuará a funcionar.
7. Novamente, pressione e mantenha pressionado o botão “ON/ADV” para nova verificação de ajuste do circuito de pressão. Verifique que a pressão desejada está indicada no manômetro de pressão.
8. Depois que o ajuste de pressão desejado for obtido, aperte a porca trava da válvula de alívio.

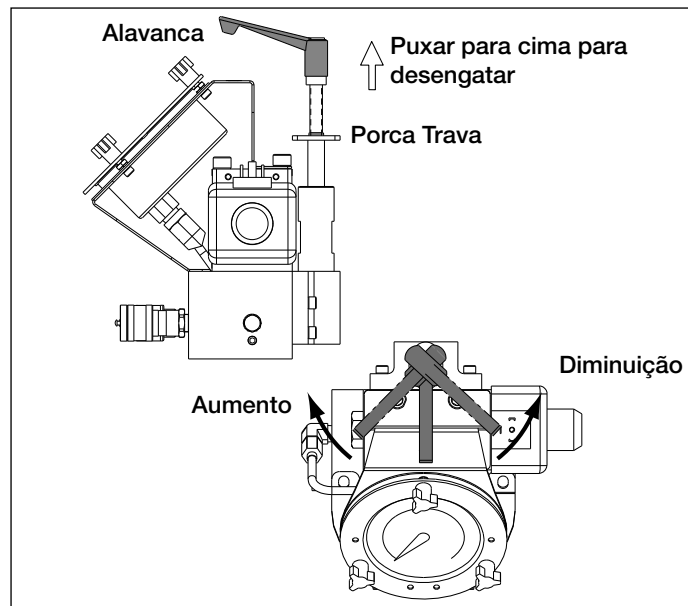


Figura 11, Ajuste da Válvula de Alívio

6.0 MANUTENÇÃO

Inspecione freqüentemente todos os componentes do sistema, para vazamentos ou peças danificadas. Conserte ou substitua componentes danificados. Componentes elétricos, por exemplo, o cabo de energia, somente podem ser reparados ou substituídos por um técnico qualificado em eletricidade e de acordo com as legislações local e nacional.

6.1 Verifique o nível de óleo

Verifique o nível de óleo da bomba antes de iniciar a operação, e adicione, se necessário, removendo o bujão da saída de abastecimento. Ver figuras 3 e 5. Certifique-se de que o torquímetro está totalmente retraído antes de adicionar óleo ao reservatório.

6.2 Troca de Óleo e Limpeza do Reservatório

O óleo Enerpac HF é transparente e de cor azul. Verifique freqüentemente suas condições quanto à contaminação, comparando o óleo da bomba com óleo Enerpac novo. Como regra geral, esvazie completamente e limpe o reservatório a cada 250 horas, ou com maior freqüência, caso utilizado em ambientes sujos.

NOTA: Este procedimento exige que a bomba seja retirada do reservatório. Trabalhe sobre uma bancada limpa e descarte adequadamente o óleo usado.

1. Remova o bujão do dreno e jogue fora todo o óleo do reservatório. Limpe e re-instale o bujão do dreno.
2. Solte os 13 parafusos que sustentam a tampa do reservatório e retire a unidade da bomba do reservatório. Seja cuidadoso para não danificar a tela do filtro.
3. Cuidadosamente limpe o reservatório e o imã (se equipado) com um detergente apropriado.
4. Remova o filtro de tela da entrada para limpeza. (Não remova a tela ou o fundo da entrada para evitar possíveis problemas). Limpe a tela com solvente e pincel macio. Instale o filtro novamente.
5. Monte novamente a bomba e o reservatório, instalando uma nova gaxeta.
6. Encha o reservatório com óleo hidráulico Enerpac limpo. O reservatório está cheio quando o nível de óleo está conforme mostrado na Figura 5.

6.3 Substituição da Escova do Motor

Para evitar danos, as escovas do motor da ZU4 incorporam uma parada automática do motor quando o desgaste de um dos carvões atinge a espessura 0.25" [6 mm]. Inspecione ambas as escovas.

1. Desconecte a bomba da potência elétrica.



PERIGO: Para evitar possível eletrocutamento, a bomba deve estar totalmente desligada da energia elétrica, antes de iniciar o conserto das escovas.

2. Remova ambas as tampas das escovas (A) soltando a lingüeta da tampa da escova (B) e gentilmente alavancando-a para fora (ver Figura 12).
3. Remova as escovas do motor girando a tampa preta no sentido anti-horário.
4. Substitua ambas as escovas e reverta o processo para montar novamente.

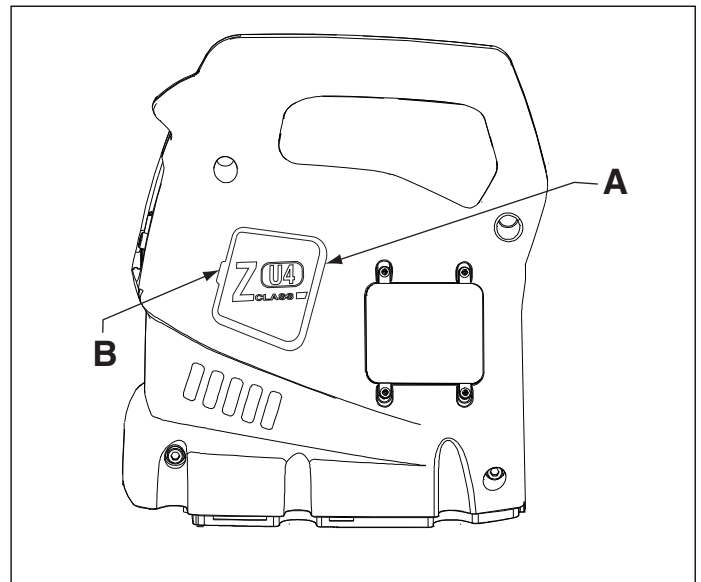


Figure 12, Remoção da Tampa da Escova

A. Brush Cap

B. Brush Cap Latch

7.0 SOLUCIONANDO PROBLEMAS (ver Guia de IDENTIFICAÇÃO DE PROBLEMAS)

Somente técnicos em hidráulica, devidamente qualificados devem fazer manutenções na bomba ou nos componentes do sistema. Falhas no sistema poderão ou não ser causados pelo funcionamento inadequado da bomba. Para determinar a causa do problema, é necessária uma análise do sistema completo, em qualquer procedimento de diagnóstico. A seguinte informação é para ser usada somente como um auxílio na determinação da existência de um problema. Para manutenção, entre em contato com o Centro de Serviços Autorizado Enerpac de sua área.

Solucionando Problemas		
Problema	Causas Possíveis	Ação
Bomba não dá partida quando o botão “ON/ADV” é pressionado	Não há energia	Ligue a energia
	Interruptor da bomba na posição “OFF”	Mova o interruptor para a posição “ON”
	Disjuntor desligado	Ligue o disjuntor
	Baixa voltagem	Desligue outras cargas elétricas Utilize extensão de calibração mais pesada
	No motor, escovas gastas até o final de sua vida útil	Ver Seção 6.3, Substituição de Escovas do Motor
	Controle danificado	Reparo do Controle Veja um centro de serviços autorizado
Sob carga, o motor para	Baixa voltagem	Desligue outras cargas elétricas Utilize extensão de calibração mais pesada
Válvula elétrica não funciona	Falta de energia elétrica ou voltagem errada	Faça a ligação com a fonte de energia correta, de acordo com a plaqueta da bomba
	Cabo do solenóide desligado ou danificado	Faça a ligação, conserte ou substitua o cabo
	Bobina do solenóide não está funcionando	Veja um centro de serviços autorizado
	Válvula fora de ajuste	Veja um centro de serviços autorizado
Falha da bomba em gerar pressão ou a bomba gera menos que a pressão total	Nível baixo de óleo	Adicione óleo, conforme seção 4.4
	Válvula de alívio com ajuste muito baixo	Ajuste, conforme seção 5.7
	Vazamento externo no sistema	Inspecione e conserte ou substitua
	Vazamento interno na bomba	Veja um centro de serviços autorizado
	Vazamento interno na válvula	
	Vazamento interno em componente do sistema	
Bomba gera a pressão máxima, mas o torquímetro não avança	Torque maior que a capacidade do torquímetro na pressão total	Use torquímetro com maior capacidade
	Vazão de avanço insuficiente ou bloqueada	Verifique se as conexões estão totalmente acopladas, conforme seção 4.5
Torquímetro não retorna	Vazão de retorno insuficiente ou bloqueada	Verifique se as conexões estão totalmente acopladas Faça o motor funcionar durante o retorno
	Mau funcionamento da válvula	Veja um centro de serviços autorizado
Pressão está aprisionada nas mangueiras, depois da parada do motor da bomba	Não há alívio na pressão	Alívio de pressão, conforme seção 5.4.
Bomba funciona quente	Vazão de avanço ou retorno insuficiente	Verifique se as conexões estão totalmente acopladas, conforme seção 4.5
	Temperatura ambiental alta	Instale um trocador de calor

L2906 Rev. C 12/10

Korjausosaluettelo tälle tuotteelle on saatavilla Enerpacin web-sivulta www.enerpac.com, tai lähimmästä valtuutetusta Enerpac-huoltokeskuksesta tai Enerpac-myyntitoimistosta.

1.0 TÄRKEÄT VASTAANOTTO-OHJEET

Tarkista silmämääräisesti kaikki osat kuljetusvaurioiden varalta. Takuu ei kata kuljetusvaurioita. Jos kuljetusvaurioita löytyy, niin ilmoita kuljetusliikkeelle välittömästi. Kuljetusliike on vastuussa kaikista korjauksista ja korvauskustannuksista, jotka ovat johtuvat kuljetusvaurioista.

TURVALLISUUS ENNEN KAIKKEA

2.0 VAROTOIMENPITEET



Read all instructions, warnings and cautions Lue kaikki ohjeet ja varoitukset huolellisesti. Noudata kaikkia varotoimenpiteitä estääksesi vammoja tai omaisuuden vaurioitumista käytön aikana. Enerpac ei ole vastuussa vaurioista tai vammoista, jotka johtuvat tuotteen turvattomasta käytöstä, huollon puutteesta tai tuotteen ja/tai järjestelmän väärästä käytöstä. Ota yhteys Enerpaciin kun olet epävarma varotoimenpiteistä ja käytöstä. Jos et ole koskaan koulutautunut korkeapaineisen hydraulijärjestelmän turvallisuuteen, ota maahantuojaan tai palvelukeskukseen, jotta voit ottaa osaa Enerpacin ilmaiseen hydraulijärjestelmän turvakurssiin.

Seuraavien varoitusten noudattamatta jättäminen voi aiheuttaa laitevaurioita ja vammoja.

VAROVAISUUS -tekstiä käytetään ilmaisemaan oikeat käyttö- tai huoltotoimenpiteet ja käytännöt vaurioiden estämiseksi, tai laitteen tai muun omaisuuden tuhoutumisen estämiseksi.

VAROITUS -tekstiä käytetään ilmaisemaan mahdollinen vaara, joka vaatii oikeita toimenpiteitä tai käytäntöjä vammojen välttämiseksi.

VAARA -tekstiä käytetään vain kun toiminta tai sen puute voi aiheuttaa vakavan vamman tai jopa kuoleman.



VAROITUS: Käytä henkilökohtaisia suojavarusteita kun käytät hydraulilaitteita.



VAROITUS: Pysy etäällä hydrauliiikan kannattelemista kuormista. Sylinteriä, jota käytetään kuorman nostolaitteena, ei pitäisi koskaan käyttää kuorman kannattelulaitteena. Kun kuorma on nostettu tai laskettu, se pitää aina tukea mekaanisesti.



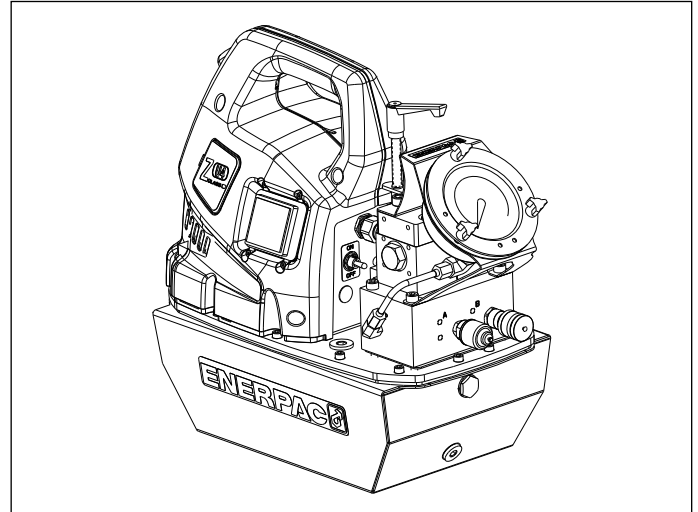
VAROITUS: KÄYTÄ VAIN JÄYKKIÄ OSIA KANNATTELEMAAN KUORMIA. Valitse huolellisesti teräs- tai metalliesteet, jotka kykenevät kannattelemaan kuormaa. Älä koskaan käytä hydraulisyylinteriä kiilana tai välikappaleena nosto- tai puristusovelluksille.



VAARA: Henkilövammojen välttämiseksi pidä kädet ja jalat etäällä kiristysavaimen vastavoimasta ja työkalusta käytön aikana.



VAROITUS: Järjestelmän käyttöpaine ei saa ylittää järjestelmän alimmalle luokitellun osan painearvoa.



Asenna painemittarit järjestelmään tarkkailemaan käyttöpainetta. Se on ikkuna siihen mitä järjestelmässä tapahtuu.



VAROVAISUUS: Vältä hydrauliletkujen vaurioittamista. Vältä teräviä kulmia ja kiertymiä kun reitität hydrauliletkuja. Vääntyneen tai kiertyneen letkun käyttö voi aiheuttaa vakavan paluupaineen. Terävät kulmat ja kiertymät vaurioittavat sisäisesti letkua, mikä johtaa ennenaikaiseen vikaan letkussa.



Älä pudota painavia esineitä letkun päälle. Terävä kosketus voi aiheuttaa sisäisen vaurion letkun lankasäikeisiin. Paineenjohtaminen vaurioituneeseen letkuun voi saada sen repeämään.



TÄRKEÄÄ: Älä nosta hydraulilaitteita letkuista tai kiertokytkimistä. Käytä kantokahvoja tai muita turvallisia kuljetusmuotoja.



VAROVAISUUS: Pidä hydraulilaitteet etäällä tulesta ja kuumuudesta. Liiallinen lämpö pehmentää pakkaukset ja saumat, johtaen nestevuotoihin. Lämpö myös heikentää letkumateriaaleja ja pakkauksia. Optimaalisen toiminnan saavuttamiseksi, älä altista laitteita lämpötiloille, jotka ovat 150 °F (65 °C) tai korkeampia. Suojaa letkut ja sylinterit hitsausroiskeilta.



VAARA: Älä käsittele paineistettuja letkuja. Vapautuva öljy voi paineen alla mennä ihon läpi, aiheuttaen vakavan vamman. Jos öljyä ruiskuu ihon alle, ota välittömästi yhteys lääkäriin.



VAROITUS: Käytä vain hydraulisia momenttiavaimia pikaliittimet kytkettynä. Öljy ei virtaa pikaliittimessä jos ne on kierretty osittain kiinni. Älä ylikuormita avainta.



TÄRKEÄÄ: Hydraulilaitteita saa huoltaa vain pätevä hydrauliteknikko. Ota yhteys valtuutettuun ENERPAC-huoltokeskukseen korjauspalveluiden suhteen. Takuun säilyttämiseksi, käytä vain ENERPAC-öljyjä.



VAROITUS: Vaihda välittömästi kuluneet tai vaurioituneet osat ajoilla ENERPAC-osilla. Standardilaatuiset ovat hajoavat, aiheuttaen henkilövammoja ja omaisuuden tuhoutumista. ENERPAC-osat ovat suunniteltu sopimaan kunnolla ja kestävästi raskaita kuormia.



VAROITUS: Älä käytä sähköisiä pumppuja räjähdysriskissä olosuhteissa. Noudata kaikkia paikallisia ja kansallisia sähkösäätöjä. Pätevän sähkömiehen on tehtävä asennus ja muutokset.



VAROITUS: Pidä kädet etäällä liikkuvista osista ja paineistetuista letkuista.



VAROITUS: Näissä pumpuissa on sisäiset tehtaassa säädetyt varoventtiilit, joita ei saa korjata tai säätää muuten kuin valtuutetut Enerpac-huoltokeskukset.

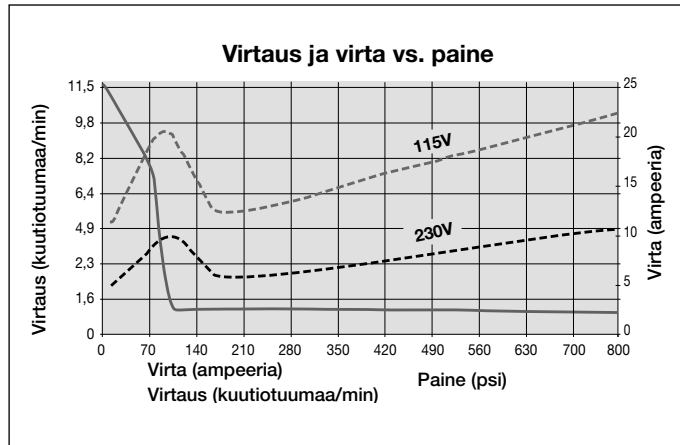


VAROVAISUUS: Katso erittelyt estääksesi vauriot pumpun sähkömoottorille. Väärän virtalähteen käyttö vaurioittaa moottoria.

3.0 TEKNISET TIEDOT

3.1 Suorituskaavio (katso sivun alaosa)

3.2 Virtauskaavio (katso kuva 1):



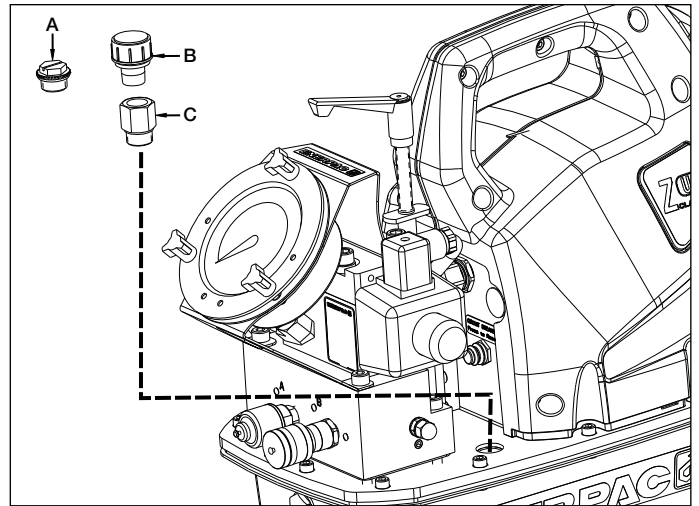
Kuva 1, virtauskaavio

4.0 ASENNUS

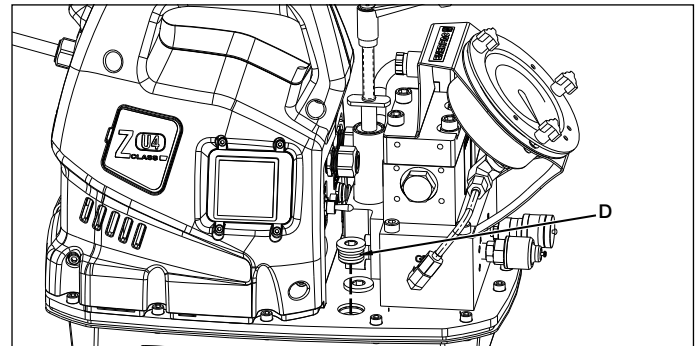
Asenna tai sijoita pumppu siten, että ilmavirtaus moottorin ja pumpun ympärillä on esteetön. Pidä moottori puhtaana maksimaalisen jäähtymisen varmistamiseksi käytön aikana.

4.1 Huohotinkorkki ja öljyn täyttötulppa (katso kuvat 2 ja 3)

Säiliön päällä olevaan huohotinaukkoon on asennettu kuljetustulppa (A). Ennen pumpun käyttöönottoa korvaa kuljetustulppa (A) huohotinkorkilla (B) ja sovitinholkilla (C). Huomautus: Öljyntäyttöaukko sijaitsee pumpun toisella puolen. Öljyntäyttöaukossa käytetään SAE#10-tulppaa (D).



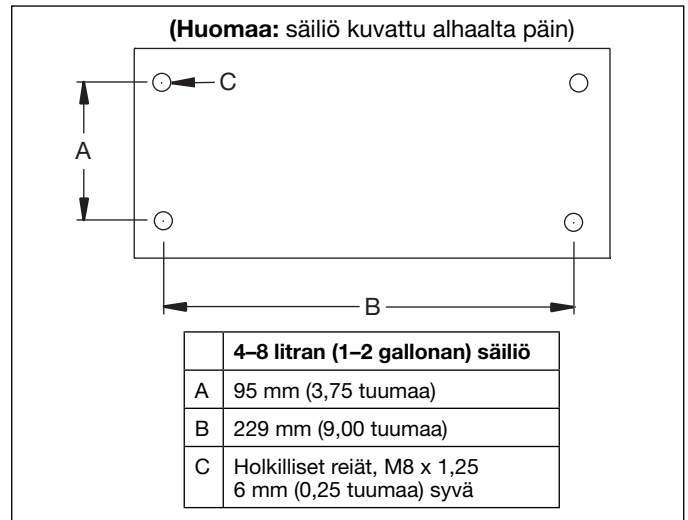
Kuva 2, Huohotinkorkin asennus



Kuva 3, Öljyn täyttötulppa

4.2 Pumpun kiinnitys (katso kuva 4)

Katso kuvasta 3 asennusmitat kiinnittääksesi pumppu kiinteälle pinnalle.



Kuva 4, asennusmitat

▼ ZU4-suorituskaavio

Moottorin koko	Ulostulovirtaus				Moottorin sähkö tiedot	Äänitaso	Varoventtiilin säätöalue
	kuutiotuumaa/min						
(hv)	(7 bar) 100 psi	(50 bar) 700 psi	(350 bar) 5,000 psi	(700 bar) 10,000 psi	(Volts-Ph-Hz)	(dBA)	(psi)
1.7*	700	535	76	60	115-1-50/60 230-1-50/60	85-90	1,400-10,000 for "Q" versiolle 1,400-11,600 for "E" versiolle

*Todellinen virrankulutus riippuu sovelluksesta. Katso kuva 1.

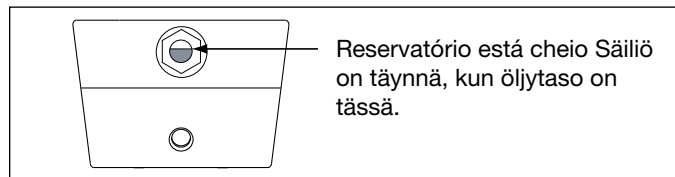
4.3 Sähköliitännät

PUMPPU ON VARUSTETTU TEHTAALLA TAVANOMAISELLA SÄHKÖPISTOKKEELLA ANNETULLE JÄNNITTEELLE. PISTOKETYYPIN SAA MUUTTA VAIN PÄTEVÄ SÄHKÖALAN AMMATILAINEN PAIKALLISIA JA KANSALLISIA MÄÄRÄYKSIÄ NOUDATTAEN.

1. Katkaisu- ja linjapiirien suojaus on asiakkaan vastuulla. Linjapiirien suojaus on oltava 115 % moottorin täyskuormitusvirrasta sovelluksen enimmäispaineella (katso kuva 1).
2. Katso lisätietoja tehonormituksesta pumpun tyyppikilvestä.

4.4 Öljytaso

Tarkista pumpun öljymäärä ennen käynnistystä. Lisää tarvittaessa öljyä poistamalla SAE#10 -tulppa peitelevystä (katso kuva 3). Säiliö on täynnä, kun öljytaso on kuvan 5 esittämässä kohdassa.



Kuva 5, tarkastuslasi

Tärkeää: Lisää öljyä vain, kun järjestelmän kaikki komponentit on vedetty kokonaan takaisin. Muussa tapauksessa järjestelmä sisältää enemmän öljyä kuin säiliön tilavuus sallii.

4.5 Hydrauliletkujen yhdistäminen

Yhdistä letkut kuvassa 6 näytetyllä tavalla.

1. (-E) Pumpputyypit Enerpac SQD- ja HXD-vääntöavaimille: Varmista, että käytät letkuja, joissa on merkintä "ENERPAC THC-700 SERIES - 800 Bar/11,600 psi max". Näiden letkujen liittimet on polarisoitu tehtaalla oikean vääntötoiminnan takaamiseksi.
 - A. Letku ja ruuviavain ovat naarasliittimiä. Kiristä kierteiset liitinlukkorengaat käsin, työkaluja ei tarvita.
 - B. (-E) Pumpun naarasliittimet ovat itsestään lukittuvia. Paina liitinparit yhteen, kunnes lukkorengas napsahtaa eteenpäin. Irrota toisistaan vääntämällä lukkorengasta myötävään ja työntämällä pois päin liitännästä.
2. (-Q) Pumpputyypit Enerpacin S- ja W-vääntöavaimille sekä muille merkeille: Käytä letkuja, joissa on merkintä "ENERPAC THQ-700 SERIES - 700 Bar/10 000 psi max". Liittimet on polarisoitava kuvan 5 näyttämällä tavalla oikean vääntötoiminnan takaamiseksi. Varmista, liittimet on täysin kytketty ja kiristetty ennen käyttöä. Osittainen liitinkytkentä estää oikean vääntötoiminnan.



VAROITUS: Kun käytetään (-Q)-pumppuja, joissa on monivääntöinen jakoputkisto, varmista, että kaikkien käyttämättömien liitinten suojakorkit on asennettu ennen pumpun käynnistystä.

Huomaa: Kun vääntöavain kytketään ensimmäisen kerran pumppuun, ilmaa jää loukkuun hydraulipiiriin. Poista ilma asettamalla vääntöavain ja suoritettut letkut pumpun alle ja käytä vääntöavainta ilman kuormitusta, kunnes se pyörii joustavasti.

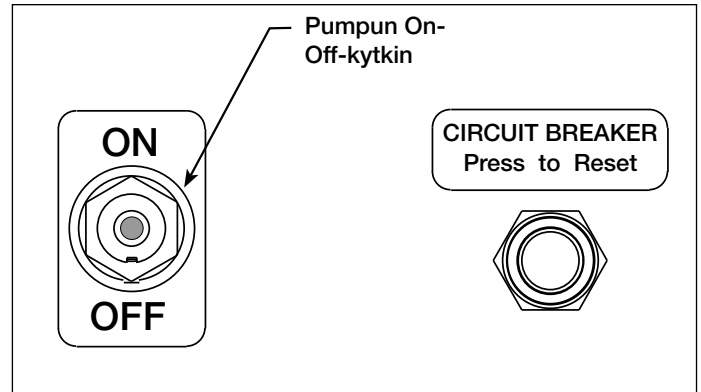
5.0 KÄYTTÖ

5.1 Pumpun katkaisin (katso kuva 6)

Katkaisimen asennot:

1. ON - pumppua ohjataan riippuohjaimella. Pumppu käynnistyy, kun riippuohjaimen painiketta "ON/ADV" painetaan.
2. OFF - riippuohjain pois käytöstä. Pumppu ei käynnisty, kun riippuohjaimen painiketta "ON/ADV" painetaan.

Pääkatkaisin: Mikäli virta on katkaistu, paina nappia nollataksesi.



Kuva 7, pumpun ohjauspaneeli

5.2 Riippuohjaimen käyttö (katso kuva 8)

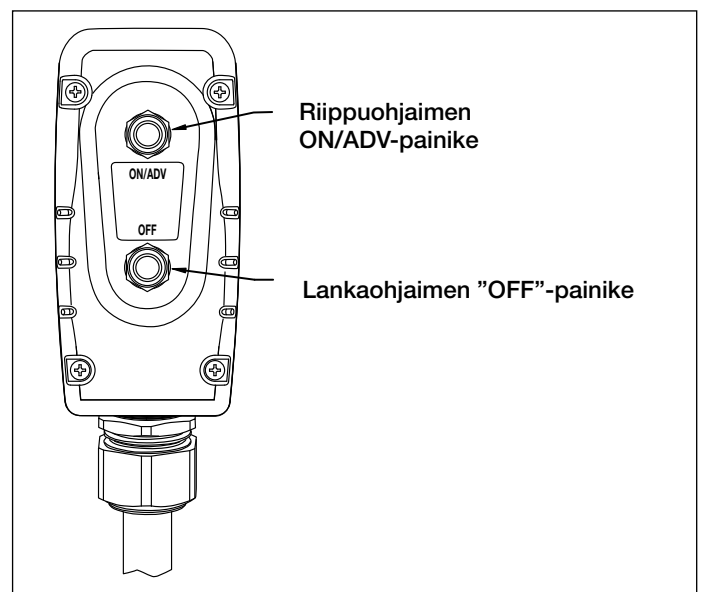
1. Riippuohjaimen "ON/OFF"-painike:

- Painike painettu - moottori KÄYNNISTYY. Vääntöavain SYÖTTÄÄ niin kauan kuin painike on painettuna.
- Painike vapautettu - vääntöavain VETÄYTYY TAKAISIN. Moottori jatkaa käymistä 20 sekuntia.

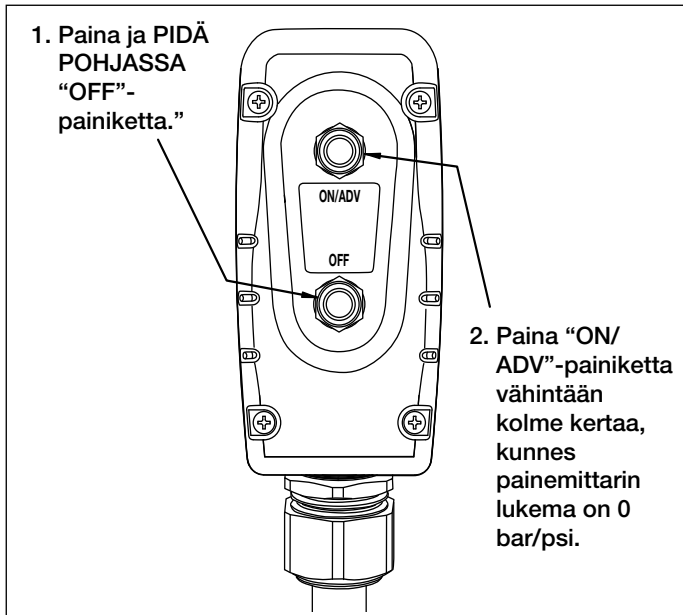
2. Lankaohjaimen "OFF"-painike:

- Painike painettu - moottori SAMMUU välittömästi.

Huomaa: Moottori sammuu välittömästi, kun pumpun on-off-katkaisin viedään OFF-asentoon pumpun käydessä.



Kuva 8, riippuohjaimen painikkeet



Kuva 9, Paineen vapauttaminen

5.3 Pumpun käyttö

TÄRKEÄÄ: Yhden henkilön tulisi käyttää vääntöavainta ja pumppua, milloin se on mahdollista. Tällä voidaan estää pumppu tahaton aktivoituminen, kun käyttäjä asettaa vääntöavainta.

1. Tarkasta järjestelmän kaikkien liitäntöjen ja kiinnikkeiden pysyvyys ja tiiviys.
2. Tarkasta säiliön öljytaso ja lisää öljyä tarvittaessa (katso luku 4.4).
3. Varmista, että kuljetustulppa on poistettu ja ilmakorkki on asennettu (katso luku 4.1).
4. Kytke virta laitteistoon. Vie pumppu on-off-katkaisiin asentoon ON. Katso kuva 7.



VAROITUS: Seuraavaksi pumppu moottori käynnistyy ja venttiili siirtyy automaattisesti vetäen vääntöavaimen takaisin. Varmista, että vääntöavain on paikoillaan ennen moottorin käynnistämistä loukkaantumisten tai laitevaurioiden estämiseksi.

5. Käynnistä pumppu painamalla riippuhjaimen painiketta ON/ADV. Katso kuva 8. Moottori käynnistyy automaattisesti ja vääntöavain aloittaa syötön. Vääntöavain syöttää niin kauan kuin painike on painettuna.
6. Vapauta ON/ADV-painike vääntöavaimen takaisin vetämiseksi. Kun painike vapautetaan, mittari näyttää takaisinvetopiirin paineen (B-portin ohitus), noin 2500–2800 psi [173–193 baaria].

7. Sammuta moottori painamalla OFF/DUMP-painiketta.

Huomaa: Jos ON/ADV-painiketta ei paineta 20 sekunnin kuluessa, pumppu sisäänrakennettu ajastin sammuttaa moottorin automaattisesti.

5.4 Paineen vapauttaminen

Hydraulipaineen vapauttaminen momenttiavaimesta ja letkuista:

- Paina ja pidä pohjassa "OFF"-painiketta. Katso kuva 9.
- Pidä pohjassa "OFF"-painiketta ja paina ja vapauta samalla "ON/ADV"-painike vähintään kolme kertaa, kunnes painemittarin lukema on 0 bar/psi. Letkut voi nyt irrottaa.

5.5 Mittarin ja päällyksen käyttö

Pumppuun on asennettu painemittari. Jokainen pumppu on varustettu vääntömomentin ilmaisevalla päällyksellä käyttömukavuuden vuoksi. Päällys sopii painemittarin asteikkolevyyn ja se muuttaa helposti painelukemat vääntömomenttiarvoiksi (katso kuva 10, kohta A). Päällyksen yhdellä puolella ovat englantilaiset mittayksiköt (Ft-Lbs.) ja toisella metrijärjestelmän mukaiset arvot (Nm). Vaihda asteikot liu'uttamalla päällys yli.



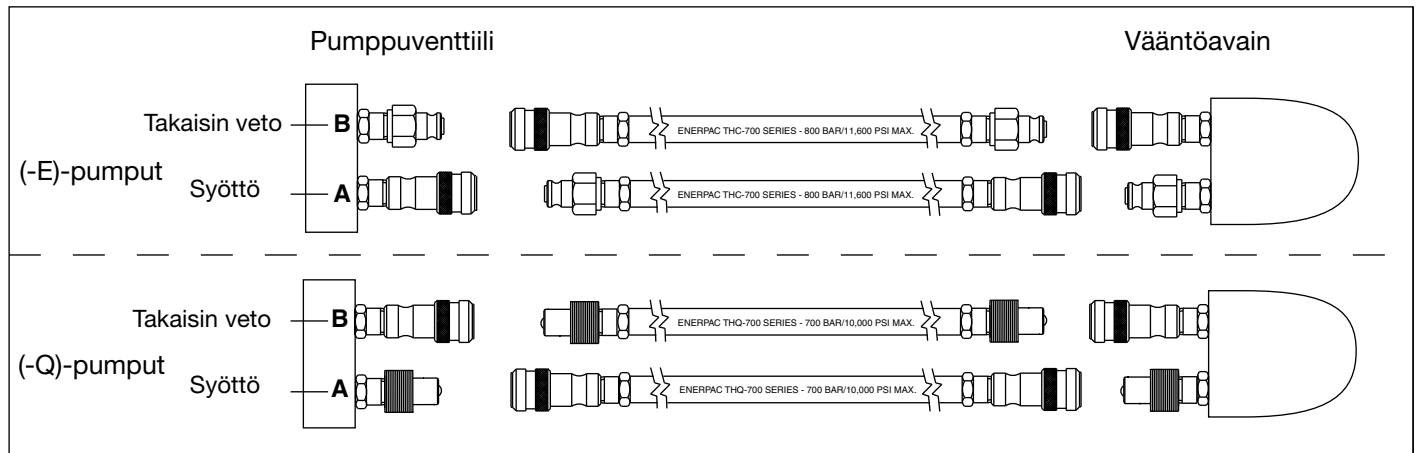
VAROITUS: Jokainen päällys on mitoitettu VAIN tietyille Enerpac-vääntöavaimelle. Älä käytä muiden avainten kanssa.

5.6 Päällyksen vaihtaminen

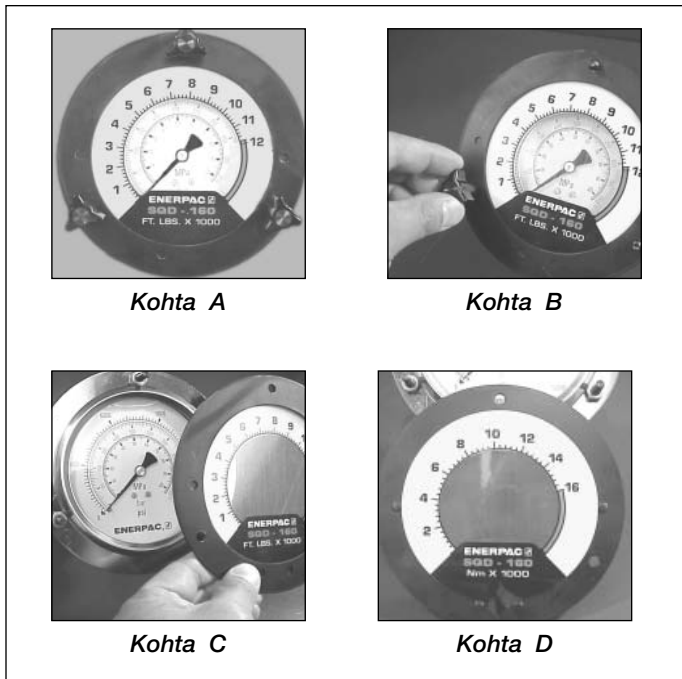
1. Irrota kolme mustaa siipinuppia, jotka pitävät mittarin etulaipan paikallaan (katso kuva 10, kohta B).
2. Irrota etulaippa ja päällys (katso kuva 10, kohta C).
3. Laita uusi päällys (varmistu, että se sopii käytettävälle Enerpac-vääntöavaimelle) laipalle ja sovita se laipan takana oleviin syvennyksiin (katso kuva 10, kohta D).
4. Pidä päällystä laipan takana (katso kuva 10, kohta C) ja aseta laippa nupin ulokkeisiin. Korjaa päällyksen asentoa tarvittaessa ja kiristä nupit sormitiukkuudelle (katso kuva 10, kohta B). Laippa painaa päällyksen mittariin ja pitää sen paikallaan. Katso vääntöavainta koskevat ohjeet vaaditulle painemäärälle halutun vääntömomentin saavuttamiseksi. Huomaa, että enimmäispaine vaihtelee erilaisten avainten ja lisälaitteiden mukaan.



VARO: Katso vääntöavainta koskevat ohjeet vääntötoiminnan suorittamiseksi.



Kuva 6, letkutiedot



Kuva 10, päällyksen asentaminen

5.7 Paineen (vääntömomentin) asetus



VAROITUS: Tee nämä säädöt ENNEN kuin vääntövain asetetaan mutteriin tai pultin kantaan.

Asetettu pumpun paine voi olla enemmän kuin paine, joka sovelluksessa vaaditaan halutun vääntömomentin saavuttamiseksi. Vaaditun vääntömomentin ylittäminen aiheuttaa laitteistovahinkoja ja voi johtaa vakaviin loukkaantumisiin.

Momenttiavaimeen kohdistuvan ylimääräisen paineen rajoittamiseksi säädä poistoventtiiliä seuraavassa kuvatulla tavalla. Katso kuva 11.

1. Löysää poistoventtiiliin lukkomutteri.
2. Käännä poistoventtiiliin kahvaa vastapäivään tarpeen mukaan, kunnes kääntäessä tuntuu vastusta vain vähän tai ei lainkaan. Näin käydessä venttiili on alhaisimmalla asetuksellaan.
3. Siirrä pumpun on-off-kytkin "ON"-asentoon.
4. Paina ja pidä pohjassa lankaohjaimen "ON/ADV"-painiketta. Moottori käynnistyy ja painetta alkaa muodostua A-portin syöttöpiirissä.
5. Pidä yhä "ON/ADV"-painiketta painettuna ja käännä poistoventtiiliin kahvaa HITAASTI myötäpäivään, kunnes paine osoittaa haluttua asetusta.

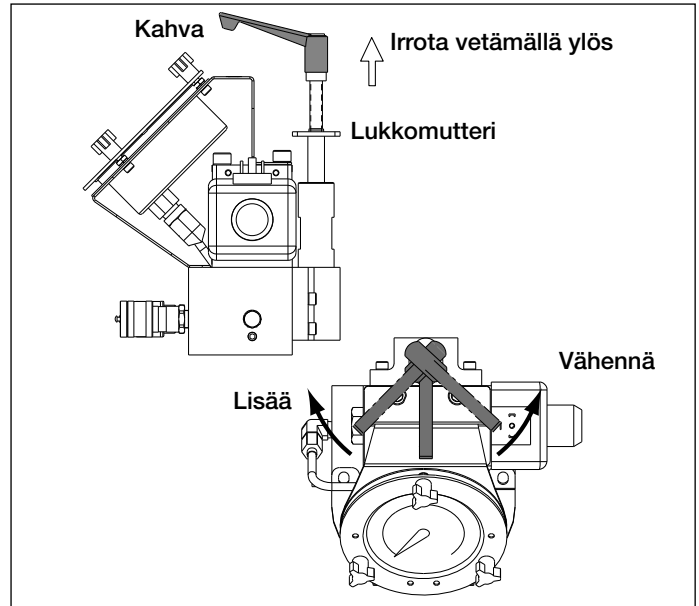
Huomautus: Saadaksesi oikean säädön vähennä painetta aina kohtaan, joka on lopullisen asetuksen alapuolella ja lisää sitten painetta vähitellen, kunnes se saavuttaa lopullisen asetuksen.

6. Vapauta lankaohjaimen "ON/ADV"-painike, jotta järjestelmän paine palautuu B-portin poistoasetukseen. Moottori käy yhä.
7. Paina ja pidä pohjassa "ON/ADV"-painiketta uudestaan syöttöpiirin paineasetuksen tarkistamiseksi uudelleen. Varmista, että painemittari osoittaa haluttua painetta.

8. Kun haluttu paineasetus on saavutettu, kiristä poistoventtiiliin lukkomutteri.

6.0 HUOLTO

Tarkista säännöllisesti kaikki järjestelmän osat vuotojen tai vaurioiden varalta. Korjaa tai vaihda vaurioituneet osat. Sähköosat (esim. virtajohto) saa korjata tai vaihtaa vain pätevä sähköasentaja kaikkia paikallisia ja kansallisia määräyksiä noudattaen.



Kuva 11, Poistoventtiilin säädöt

6.1 Öljytason tarkastus

Check the oil level of the pump prior to start-up, and add oil, if Tarkista pumpun öljymäärä ennen käynnistystä ja lisää öljyä tarvittaessa täyttöaukon tulppa poistamalla. Katso kuvat 3 ja 5. Varmista aina, että vääntövain on vetäytynyt kokonaan takaisin, ennen kuin lisäät öljyä säiliöön

6.2 Vaihda öljy ja puhdistaa säiliö

Enerpac HF -öljy on väriltään selkeän sininen. Tarkista säännöllisesti öljy saastumisen varalta vertaamalla pumpussa olevaa öljyä uuteen Enerpac-öljyyn. Nyrkkisääntönä on, että tyhjennä ja puhdistaa säiliö kokonaan joka 250 tunnin jälkeen, tai useammin jos pumppua on käytetty likaisessa ympäristössä.

HUOMAA: Tämä toimenpide vaatii, että poistat pumpun säiliöstä. Työskentele puhtaalla alustalla ja hävitä käytetty öljy paikallisten säädösten mukaisesti.

1. Irrota poistoputken tulppa ja tyhjennä kaikki öljy säiliöstä. Puhdistaa säiliö ja laita poistoputken tulppa takaisin.
2. Ruuvaa irti 13 pulttia, jotka kiinnittävät suojalevyn säiliöön, ja nosta pumppuosa pois säiliöstä. Varo ettet vaurioita suodattimen suojuksia.
3. Puhdistaa säiliö ja säiliömagneetti (mikäli se kuuluu varusteluun) perusteellisesti sopivalla puhdistusaineella.
4. Poista nostettava suodattimen suojus puhdistusta varten. (Älä vedä suojukselta tai tuloaukon pohjasta mahdollisten vaurioiden varalta.) Puhdistaa suojus liuottimella ja pehmeällä harjalla. Aseta uudestaan paikalleen.
5. Kokoa pumppu ja säiliö. Aseta säiliöön uusi tiiviste.
6. Täytä säiliö puhtaalla Enerpac-hydrauliöljyllä. Säiliö on täynnä kun öljytaso on kuvan 5 esittämässä kohdassa.

6.3 Moottoriharjan vaihtaminen

Moottorin vaurioitumisen estämiseksi ZU4-moottoriharjat sisältävät automaattisen moottorin pysäytyksen kun yksi harjaksista on kulunut 6 mm:n [0,25 tuuman] mittaiseksi. Tarkista molemmat harjat.

1. Kytke moottori irti virtalähteestä.



VAARA: Mahdollisen sähköiskun välttämiseksi pumpun on oltava kokonaan kytkettynä irti sähkövirrasta ennen kuin harjojen huolto suoritetaan.

2. Irrota molemmat harjakannat (A) taivuttamalla vipua (B) ja nostamalla kevyesti ulospäin (katso Kuva 12).
3. Irrota moottoriharjat kääntämällä mustaa kantaa vastapäivään.
4. Vaihda molemmat harjat ja kokoa uudestaan päinvastaisessa järjestyksessä.

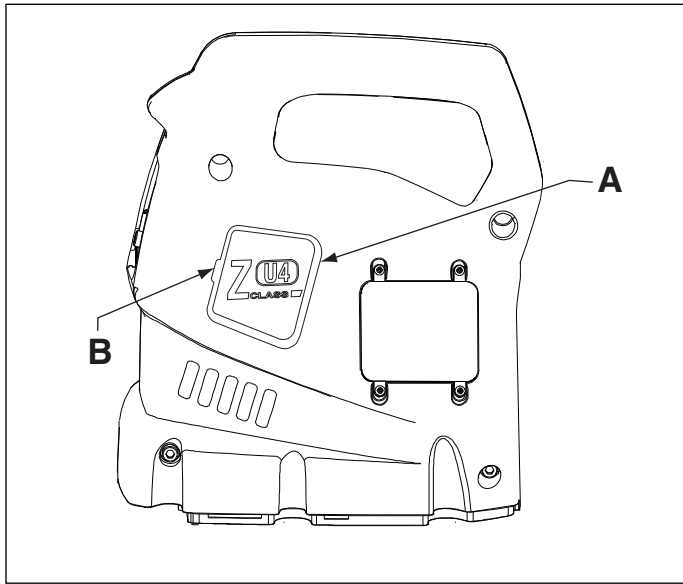


Figure 12, Harjakannan irrottaminen

A. Harjakanta

B. Harjakannan salpa

7.0 VIANMÄÄRITYS (KATSO VIANMÄÄRITYSOPAS)

Vain pätevä hydrauliteknikko saa huoltaa pumppua tai sen osia. Järjestelmävirhe voi olla (muttei aina ole) seurausta pumpun toimintahäiriöstä. Ongelman selvittämiseksi koko järjestelmä täytyy diagnosoida.

Seuraavat tiedot ovat ainoastaan apumateriaalina selvitettäessä onko ongelmaa. Huoltotoimien suhteen ota yhteys valtuutettuun Enerpac-huoltokeskukseen.

Vianmääritysopas

Ongelma	Mahdollinen syy	Toimenpide
Pumppu ei käynnisty, kun riippuhajaimen painiketta ON/ADV painetaan	Ei virtaa	Yhdistä virta
	Pumpun on-off-katkaisin asennossa OFF	Siirrä katkaisin asentoon ON
	Pääkatkaisin kytkeytynyt päälle	Paina pääkatkaisinpainiketta
	Matala jännite	Sammuta muut sähköiset kuormat Käytä paksumpaa mittarin jatkojohtoa
	Moottoriharjat kuluneet loppuun	Katso luku 6.3, moottoriharjan vaihtaminen
	Riippuhajain vaurioitunut	Korjaa riippuhajain Ota yhteys valtuutettuun huoltoliikkeeseen
Moottori pysähtyy kuormitettaessa	Matala jännite	Sammuta muut sähköiset kuormat Käytä paksumpaa mittarin jatkojohtoa
Sähköinen venttiili ei toimi	Pumppuun ei tule virtaa tai jännite on väärä	Yhdistä pumpun tyyppikilvestä ilmenevään oikeaan virtalähteeseen
	Solenoidikaapeli irronnut tai vaurioitunut	Yhdistä, korjaa tai vaihda kaapeli
	Solenoidikela ei toimi	Ota yhteys valtuutettuun huoltoliikkeeseen
	Venttiiliä ei säädetty	Ota yhteys valtuutettuun huoltoliikkeeseen
Pumput eivät muodosta painetta tai muodostavat sitä täyttää painetta vähemmän	Matala öljytaso	Lisää öljyä luvun 4.4 mukaisesti
	Varoventtiili asetettu liian alhaiseksi	Sääädä luvun 5.7 mukaisesti
	Järjestelmän ulkopuolinen vuoto	Tarkasta ja korjaa tai vaihda
	Pumpun sisäinen vuoto	Ota yhteys valtuutettuun huoltoliikkeeseen
	Venttiilin sisäinen vuoto	
	Sisäinen vuoto järjestelmäkomponentissa	
Pumput muodostavat täyden paineen mutta vääntöavain ei syötä	Vääntömomentti suurempi kuin avainkapasiteetti täydessä paineessa	Käytä vääntöavainta, jolla on isompi kapasiteetti
	Syöttövirtaus avaimen estynyt tai tukittu	Tarkista liitinten toiminta luvun 4.5 mukaisesti
Vääntöavain ei vetäydy takaisin	Takaisinvirtauslinja estynyt tai tukittu	Tarkasta liitosten toiminta Pidä moottori käynnissä takaisinvedon aikana
	Venttiilin toimintahäiriö	Ota yhteys valtuutettuun huoltoliikkeeseen
Painetta jää letkuihin, kun pumpun moottori on pysähtynyt	Paine ei ole vapautunut	Vapauta paine kappaleen 5.4 mukaisesti.
Pumppu kuumenee	Syöttö- tai takaisinvetovirtaus estynyt	Tarkista liitinten toiminta luvun 4.5 mukaisesti
	Korkea ympäristölämpötila	Asenna lämpötilanvaihdin

L2906 Rev. C 12/10

Oversikt over reparasjonsdeler for dette produktet er tilgjengelig fra hjemmesiden til Enerpac på www.enerpac.com, eller fra ditt nærmeste autoriserte Enerpac Service Senter eller Enerpac Salgskontor.

1.0 VIKTIG VED MOTTAK AV PRODUKTET

Foreta en visuell inspeksjon av alle komponenter for å forvisse deg om at ikke noe er skadd under transporten. Transportskader er ikke dekket av produktgarantien. Dersom du finner transportskader må du øyeblikkelig kontakte transportøren. Transportøren er ansvarlig for alle utgifter til reparasjon og nye deler som oppstår som en følge av transportskade.

SIKKERHET I HØYSETET

2.0 SIKKERHETSFRSKRIFTER



Les alle instruksjer og advarsler nøye. Følg alle råd om sikkerhet for å unngå skade på person eller eiendom ved drift av systemet. Enerpac kan ikke påta seg ansvar for skade på person eller materiell som følger av usikker bruk av produktet, mangel på vedlikehold eller uriktig bruk av produkt eller system. Kontakt Enerpac dersom du er i tvil om sikker bruk av produktet. Dersom du aldri har fått opplæring i hydraulisk høytrykksikkerhet, bør du kontakte ditt distribusjons- eller servicesenter for et kostnadsfritt Enerpac Hydraulikk Sikkerhetskurs.

Det er viktig å rette seg etter følgende forskrifter og advarsler for å unngå skade på personer og utstyr.

FORSIKTIG brukes for å indikere korrekte prosedyrer for drift eller vedlikehold for å unngå skader på-, eller ødeleggelse av utstyret eller annen eiendom.

ADVARSEL indikerer en potensiell fare som krever korrekte prosedyrer eller bruksmåter for å unngå personskade.

FARE brukes kun når din handling eller mangel på handling kan forårsake alvorlig skade eller død.



ADVARSEL: Bruk riktig personlig verneutstyr når du bruker hydraulisk utstyr.



ADVARSEL: Hold deg klar av laster som støttes av hydraulikk. En sylindere, når den brukes til å løfte laster, bør aldri benyttes som lasteholder. Etter at lasten er hevet eller senket, må den alltid blokkeres mekanisk.



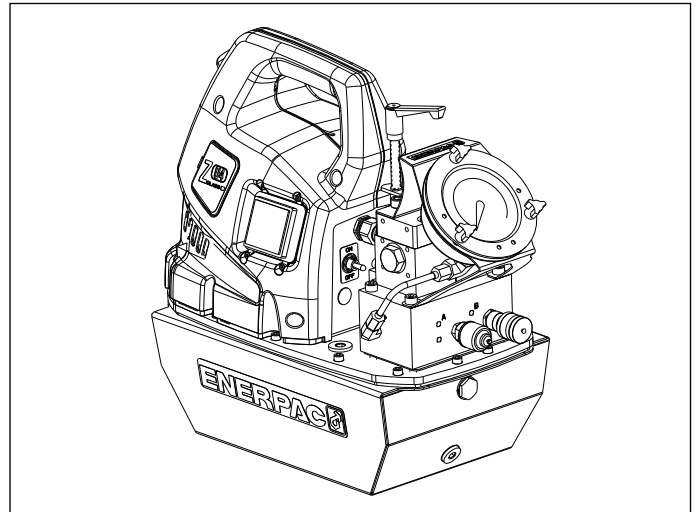
ADVARSEL: BRUK KUN SOLIDE DELER TIL Å HOLDE LASTER. Være nøye med å velge stål- eller treklosser som kan holde lasten. Bruk aldri en hydraulisk sylindere som en foring eller avstandshylse ved løft eller press.



FARE: For å unngå personskade må man holde hender og føtter unna muttertrekkerens reaksjonsarm og arbeidstykket ved bruk.



ADVARSEL: Systemets arbeidstrykk på ikke overstige trykkklasse av den lavest klasserte komponenten i systemet. Installer trykkmålere i systemet for å overvåke driftstrykk. Det er ditt vindu inn til hva som skjer i systemet.



FORSIKTIG: Unngå skader på hydrauliske slanger. Unngå bøyning og krølling når de hydrauliske slangene legges ut. Å bruke en bøyd eller krøllet slange vil skape et alvorlig mottrykk. Skarpe bøyer eller krøll vil umiddelbart skade slangen og føre til tidlig slangefeil.



Ikke slipp tunge gjenstander på slangen. Et hardt slag kan føre til skade på slangens armering. Å sette trykk på en skadet slange kan få den til å revne.



VIKTIG: Ikke løft hydraulisk utstyr i slangen eller svivelkoblinger. Bruk bærehåndtaket eller andre sikre måter å bære på.



FORSIKTIG: Hold hydraulisk utstyr unna åpen ild og varme. For mye varme vil gjøre pakninger og forseglinger bløte, noe som fører til væskelekkasje. Hete svekker også slangematerialet og pakninger. For best mulig ytelse bør ikke utstyret utsettes for temperaturer over 65 °C. Beskytt slanger og sylindere mot sveisesprut.



FARE: Ikke håndter slanger under trykk. Oljesprut under trykk kan gå gjennom huden og gjøre alvorlig skade. Dersom olje er trenger gjennom huden må man oppsøke lege med en gang.



ADVARSEL: Bruk kun muttertrekker i et tilkoblet system. Bruk aldri en muttertrekker uten tilkoblede koblinger. Hvis muttertrekkeren blir ekstremt overbelastet kan komponenter feile katastrofalt og forårsake alvorlige personskader.



VIKTIG: Hydraulisk utstyr må kun få service av en kvalifisert hydraulikktjeniker. For reparasjoner, kontakt et Autorisert ENERPAC Servicesenter i din region. For å beskytte garantien, bruk bare ENERPAC hydraulikkolje.



ADVARSEL: Bytt umiddelbart ut slitte eller skadde deler med ekte ENERPAC-deler. Uoriginale deler vil gå i stykker og forårsake skade på personer og eiendom. ENERPAC-deler er designet for å passe riktig og for å tåle store påkjenninger.



ADVARSEL: Ikke bruk elektriske pumper i eksplosiv atmosfære. Følg alle lokale- og nasjonale elektriske forskrifter. La en kvalifisert elektriker gjøre installasjon og modifikasjoner.



ADVARSEL: Hold hendene unna bevegelige deler og slanger under trykk.



ADVARSEL: Disse pumpene har interne, fabrikkjusterte avlastningsventiler, som ikke kan repareres eller justeres av andre enn et Autorisert Enerpac Servicesenter.

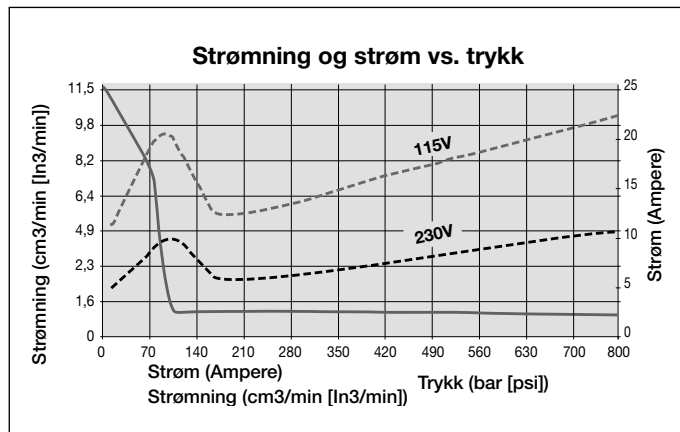


FORSIKTIG: Sjekk spesifikasjonene for å unngå skade på pumpens elektriske motor. Bruk av feil strømkilde vil skade motoren.

3.0 SPESIFIKASJONER

3.1 Ytelsesdiagram (se nederst på siden)

3.2 Flytdiagram (se Figur 1):



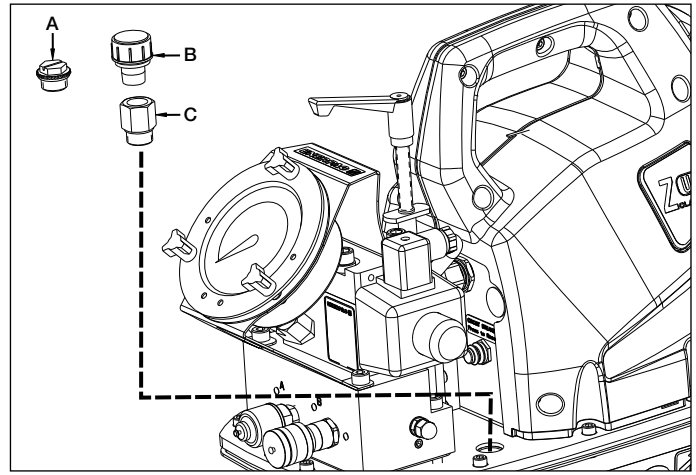
Figur 1, Flytdiagram

4.0 INSTALLASJON

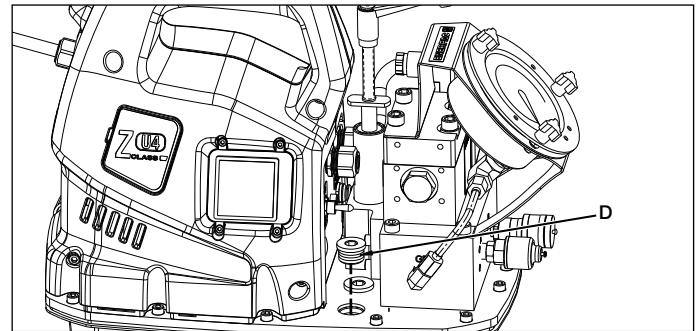
Installer eller plasser pumpen slik at luftstrømmen rundt motoren og pumpen ikke kan hindres. Hold motoren ren for å sørge for maksimal kjøling under bruk.

4.1 Luftelukk og oljefylleplugg (se Figurer 2 og 3)

Det er installert en transportplugg (A) i luftporten på toppen av tanken. Før du bruker pumpen må du skifte ut transportpluggen (A) med luftelokket (B) og adapterkoplingen (C). **Merk:** Oljefyllporten sitter på motsatt side av pumpen. Oljefyllingsåpningen bruker en SAE nr. 10 plugg (D).



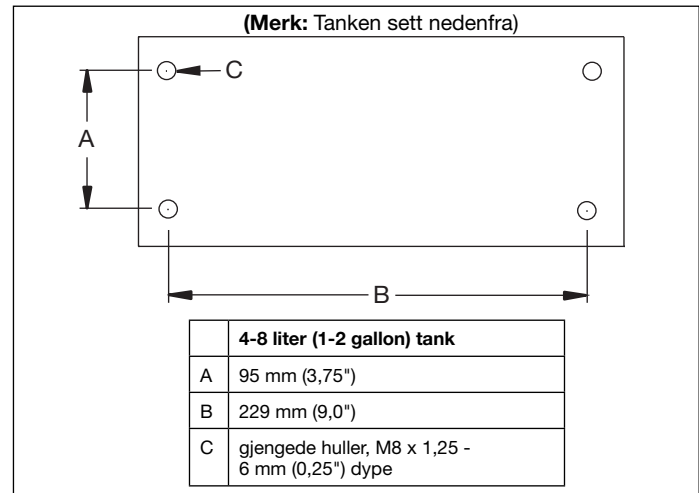
Figur 2, Installasjon av luftelukk



Figur 3, Oljefylleplugg

4.2 Montering av pumpe (Se Figur 4)

Se Figur 3 for monteringsdimensjoner for feste av pumpen på et fast underlag.



Figur 4, Monteringsdimensjoner

▼ ZU4 Ytelsesdiagram

Motorstørrelse (hk)	Utmatet strømningsrate cm3/min [In3/min]				Motorelektriske spesifikasjoner (Volts-Ph-Hz)	Lydnivå (dBA)	Avlastningsventilen justeringsområde bar (psi)
	7 bar [100 psi]	50 bar [700 psi]	350 bar [5,000 psi]	700 bar [10,000 psi]			
1.7*	700	535	76	60	115-1-50/60 230-1-50/60	85-90	100-700 (1,400-10,000) for "Q" versjon 100-700 (1,400-11,600) for "E" versjon

*Faktisk strømforbruk avhenger av bruken. Se Figur 1.

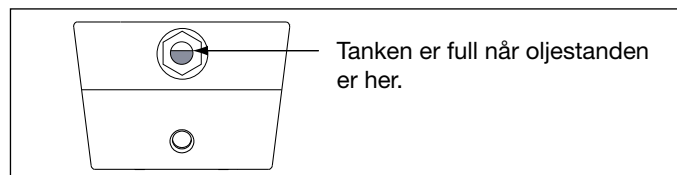
4.3 Elektriske koplinger

PUMPEN ER UTSTYRT FRA FABRIKKEN MED VANLIG ELEKTRISK PLUGG FOR EN GITT SPENNING. DENNE PLUGGEN BØR KUN ENDRES AV EN KVALIFISERT ELEKTRIKER, OG ALLE NASJONALE OG LOKALE FORSKRIFTER MÅ FØLGES.

1. Bryter og kretsbeskyttelse forsynes av kunden. Forsyningskretsbeskyttelse må være 115 % av motorens effekt med full belastning ved maksimalt påsatt trykk (se fig. 1).
2. For mer informasjon, se pumpens merkeskilt for strømspesifikasjoner.

4.4 Oljestand

Sjekk pumpens oljestand før oppstart, og etterfyll ved behov ved å fjerne pluggen (SAE nr. 10) fra dekselplaten (se fig. 3). Tanken er full når oljestanden er som vist i fig. 5.



Figur 5, Sikteglass

Viktig: Etterfyll olje når alle systemkomponenter er fullstendig trukket tilbake, hvis ikke vil systemet inneholde mer olje enn det er plass i tanken.

4.5 Koble til hydraulikkslanger

Koble slangene som vist i Figur 6.

1. (-E) Pumpetype for Enerpac SQD og HXD muttertrekkerer: Sørg for å bruke slanger merket "Enerpac THC-700 Series - 800 Bar/11,600 psi max." Koblingene på disse slangene er "polarisert" fra fabrikken for å sikre korrekt bruk av muttertrekkeren.
 - A. Slange og trekkerens hunnkoblinger. Stram til den gjengede koblingens låseringer for hånd. Det kreves ingen verktøy.
 - B. (-E) pumpens hunnkoblinger er selvlåsende, trykk koblingene sammen til låseringen smekker fremover. For å koble fra dreier du på låseringen med klokken og skyver den bort fra koblingen.
2. (-Q) Pumpetype for Enerpac S og W muttertrekkerer og andre merker: Bruer slanger merket "Enerpac THQ-700 series - 700 bar/10,000 psi max." Koblingene på være polarisert i samsvar med Figur 5 for at muttertrekkeren skal fungere riktig. Påse at koblingene sitter helt i inngrep og er strammet til før bruk. Dårlig koblingsinngrep vil hindre muttertrekkeren i å virke som den skal.



ADVARSEL: Når du bruker (-Q) pumper med manifolder for flere muttertrekkerer, påse at alle ubrukte koblinger har beskyttende hetter satt på før pumpen startes.

Merk: Når muttertrekkeren først kobles til pumpen, vil det være luft i den hydrauliske kretsen. Fjern denne luften ved å plassere muttertrekkeren og utrettede slanger under pumpen, bruk trekkeren uten belastning til den roterer uten nølen.

5.0 DRIFT

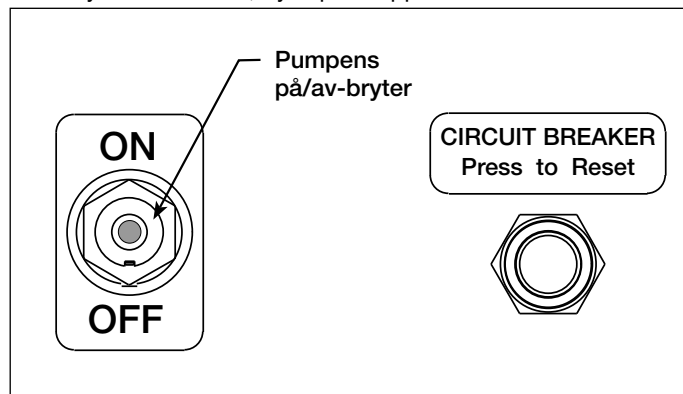
5.1 Pumpens på/av-bryter (se Figur 7)

Stillinger for på/av-bryteren:

1. ON (på) – Pumpen kontrolleres av fjernkontrollen. Pumpen starter når du trykker på fjernkontrollens knapp "ON/ADV" (på/fremkjøring).

2. OFF (av) – Fjernkontrollen deaktivert. Pumpen starter ikke når du trykker på fjernkontrollens knapp "ON/ADV" (på/fremkjøring).

Kretsbytter: Hvis utløst, trykk på knappen for å nullstille

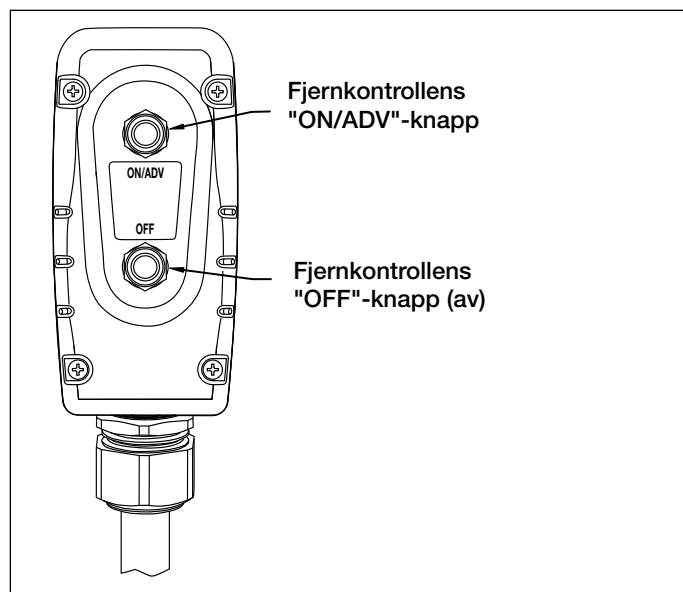


Figur 7, Pumpens kontrollpanel

5.2 Bruk av fjernkontrollen (se Figur 8)

1. Fjernkontrollens "ON/ADV"-knapp:
 - Knappen trykkes inn – Motoren slås PÅ. Trekkeren FREMFØRES så lenge knappen holdes inne.
 - Knappen sluppet – Trekkerne TREKKES TILBAKE. Motoren fortsetter å gå i opptil 20 sekunder.
2. Fjernkontrollens "OFF"-knapp (av):
 - Knappen trykkes inn – Motoren slås AV øyeblikkelig.

Merk: Motoren slås av øyeblikkelig hvis pumpens på/av-bryter beveges til OFF mens pumpen er i gang.



Figur 8, Fjernkontrollens knapper

5.3 Betjening av pumpen

VIKTIG: Så sant det er mulig, bør én enkelt bruker betjene muttertrekkeren og pumpen. Dette det hindre at pumpen settes i gang utilsiktet mens operatøren plasserer muttertrekkeren.

1. Kontroller alle systemet koblinger og påse at de er tette og uten lekkasje.
2. Sjekk oljestanden på tanken og etterfyll ved behov. (se avsnitt 4.4)

- Påse at transportpluggen er fjernet og at luftelokket er installert. (se avsnitt 4.1)
- Koble enheten til strøm. Flytt pumpens på/av-bryter til ON (på). Se Figur 7.



ADVARSEL: Il neste trinn vil pumpemotoren starte og ventilen vil sjalte automatisk, og muttertrekkeren trekkes tilbake. Kontroller at muttertrekkeren er plassert for å unngå personskade eller utstyrsskade før du starter motoren.

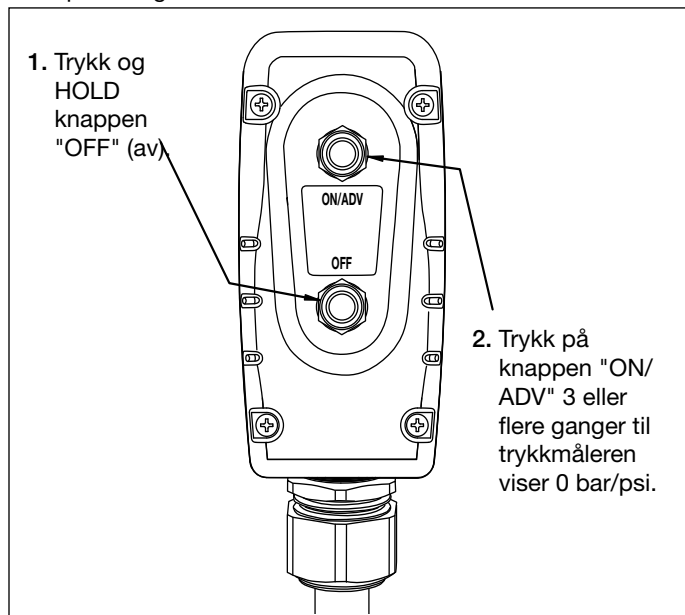
- For å starte pumpen trykker du på "ON/ADV"-knappen på fjernkontrollen. Se Figur 8. Motoren vil starte automatisk og trekkeren vil begynne å føres frem. Trekkeren vil fortsette å føres frem så lenge knappen holdes inne.
- Slipp "ON/ADV"-knappen for å trekke tilbake trekkeren. Etter at knappen slippes vil måleren vise trykket i tilbaketrekkingskretsen (B-porten bypass), ca. 173-193 bar [2.500-2.800 psi].
- Trykk på "OFF/DUMP"-knappen for å stoppe motoren.

Merk: Hvis knappen "ON/ADV" ikke trykkes i løpet av en sammenhengende periode på 20 sekunders, vil pumpens innebygde teller automatisk slå av motoren.

5.4 Avlaste trykk

Slik avlaster du hydraulisk trykk på trekker og slanger:

- Trykk og hold knappen "OFF" (av). Se Figur 9.
- Mens du holder inne knappen "OFF", trykker og slipper du knappen "ON/ADV" (på/fremføring) 3 eller 4 ganger til trykkmåleren viser 0 bar/psi. Slangene kan nå tas av.



Figur 9, Avlaste trykk

5.5 Prosedyre for bruk av måler og overlegg

Pumpen er utstyrt med en installert trykkmåler. Av praktiske hensyn leveres det momentoverlegg med hver pumpe. Et momentoverlegg passer over målerens skive og konverterer trykkmålinger til dreiemomentmålinger (se Figur 10, Visning A). Overlegget har imperialenheter (ft-lbs) på en side og metriske enheter (Nm) på den andre siden. For å skifte skalaer trekkes simpelthen overlegget på.



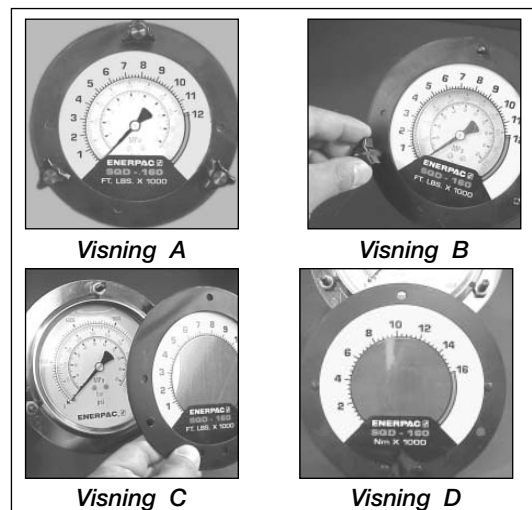
ADVARSEL: Hvert overlegg er beregnet KUN til en bestemt Enerpac muttertrekker. Må ikke brukes med andre muttertrekkere.

5.6 Skifte overlegg

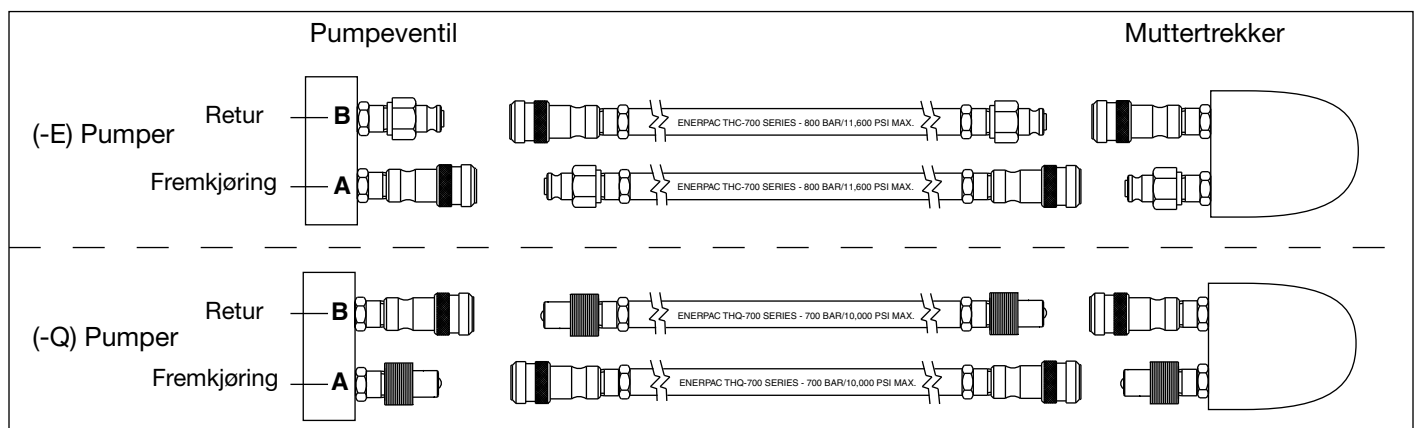
- Fjern de tre svarte vingebryterne som holder frontmålerflensen på plass (se Figur 10, Visning B).
- Ta av frontflensen og overlegget (se Figur 10, Visning C).
- Sett på nytt overlegg (husk å kontrollere at det er korrekt overlegg for Enerpac muttertrekkeren som brukes) på flensen, og juster overlegget med hakkene på baksiden av flensen (se Figur 10, Visning D).
- Hold overlegget på plass bak flensen (se Figur 10, Visning C) og sett flensen på bryterpiggene. Flytt på overlegget om nødvendig, og stram til bryteren med fingrene (se Figur 10, Visning B). Flensen vil presse overlegget ned på måleren og holde det på plass. Se instruksjonene for muttertrekkeren for hvor mye trykk som kreves for å produsere ønsket dreiemoment. Merk deg at maksimalt trykk varierer for ulike trekker og tilbehør.



FORSIKTIG: Se muttertrekkerens håndbok for prosedyrer for bruk av muttertrekkeren.



Figur 10, Installasjon av overlegg



Figur 6, Slangedetaljer

5.7 Innstilling av trykk (dreiemoment)



ADVARSEL: Gjør disse innstillingene FØR du setter muttetrekkeren på en mutter eller boltehode. Innstilt pumpetrykk kan være over trykket som behøves for å skape ønsket dreiemomentet. Hvis nødvendig dreiemoment overskrides kan det føre til skade på utstyret, og også til alvorlige personskader.

For å begrense fremføringstrykket til muttetrekkeren, justerer du avlastningsventilen som beskrevet i følgende prosedyre. Se Figur 11.

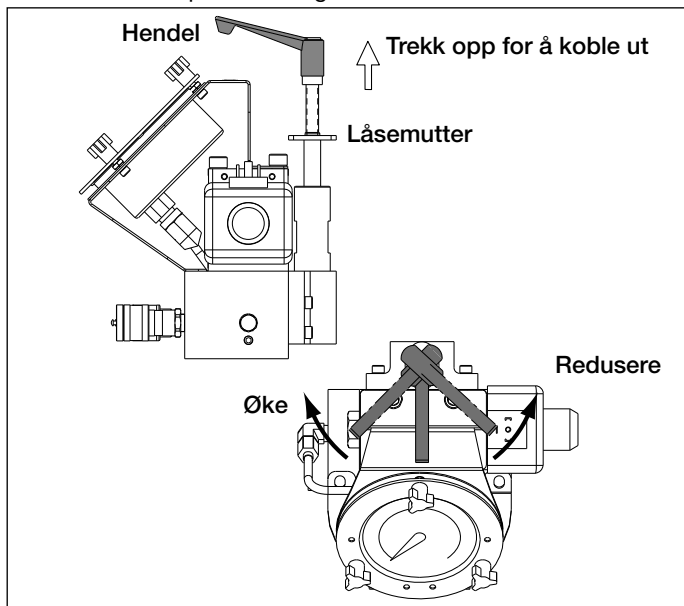
1. Løsne låsemutteren på avlastningsventilen.
2. Drei avlastningsventilen hendel mot klokken etter behov, til det er liten eller ingen motstand. Når dette skjer er ventilen i sin laveste innstilling.

Merk: Avlastningsventilens hendel vil kun rotere ca. 2/3 av en full omdreining. Når rotasjonen stanser, trekker du opp på hendelen for å koble fra. Deretter flytter du og aktiverer hendelen igjen for å justere videre (etter behov).

3. Flytt pumpens på/av-bryter til ON (på).
4. Trykk og hold knappen "ON/ADV" på fjernkontrollen. Motoren vil starte og trykket bygges opp i A-portens fremføringskrets.
5. Fortsett å holde innen knappen "ON/ADV" og roter avlastningsventilens hendel SAKTE med klokken til trykket øker til ønsket verdi.

Merk: For å oppnå nøyaktig innstilling, reduseres trykket til et punkt under endelig innstilling og deretter øker du det sakte til trykket når sin endelige innstilling.

6. Slipp fjernkontrollens knapp "ON/ADV" for at systemtrykket skal returnere til B-portens tilbaketrekkingsverdi. Motoren vil fortsette å gå.
7. Trykk og hold knappen "ON/ADV" igjen for å sjekke trykket i fremføringskretsen igjen. Kontroller at ønsket trykk indikeres på trykkmåleren.
8. Etter at ønsket trykkinnstilling er nådd, trekker du til låsemutteren på avlastningsventilen.



Figur 11, Justering av avlastningsventilen

6.0 VEDLIKEHOLD

Inspiser ofte alle systemkomponenter for lekkasje og skade. Reparer eller skift ut skadede komponenter. Elektriske komponenter, for eksempel strømforsyningen, kan kun repareres av en godkjent elektriker, og alle nasjonale og lokale forskrifter må følges.

6.1 Sjekk oljestanden

Sjekk pumpens oljestand før oppstart, og etterfyll ved behov ved å ta av fyllingsåpningspluggen. Se Figurene 3 og 5. Sørg alltid for at muttetrekkeren er helt tilbaketrasket før du fyller olje på tanken.

6.2 Skifte olje og gjøre rent tanken

Enerpac HF-olje har en klar blå farge. Sjekk oljetilstanden jevnlig for urenheter, ved å sammenligne pumpeolje med ny Enerpac-olje. Som en generell regel bør tanken tømmes og rengjøres hver 250 timer, oftere ved bruk i skitne miljøer.

MERK: Denne prosedyren krever at du fjerner pumpen fra tanken. Arbeid på en ren benk og kvitt deg med brukt olje i.h.t. lokale forskrifter.

1. Ta ut tappepluggen og tapp all olje av tanken. Gjør rent og sett på plass tappepluggen.
2. Skru ut de 13 skruene som holder dekselplaten på tanken, og løft pumpeenheten av tanken. Vær forsiktig så du ikke skader filteret.
3. Gjør tanken og tankmagneten (hvis en slik finnes) grundig rent med et passende rengjøringsmiddel.
4. Ta ut filteret for rengjøring (Ikke trekk i filteret eller i bunnen på inntaket, for å unngå skade.) Gjør rent filteret med et løsemiddel og en myk børste. Sett det inn igjen.
5. Sett sammen pumpen og tanken igjen, og installer en ny tankpakning.
6. Fyll tanken med ren Enerpac hydraulikkolje. Tanken er full når oljestanden er som vist i fig. 5.

6.3 Skifte av motorbørster

For å hindre skade på motoren, har motorbørstene på ZU4 en innebygd motorstoppfunksjon når én av kullbørstene slites ned til 6 mm [0,25"]. Inspiser begge børstene

1. Kople pumpen fra strømforsyningen.



FARE: For å unngå elektriske støt må pumpen koples fullstendig fra strømforsyningen før det utføres service på børstene.

2. Ta av begge børstelokkene (A) ved å bøye børstelokkslåsene (B) til side og klemme utover (se fig. 12).
3. Ta ut motorbørstene ved å skru det svarte lokket mot klokken.
4. Skift ut begge børstene og utfør prosedyren i omvendt rekkefølge for å montere sammen igjen.

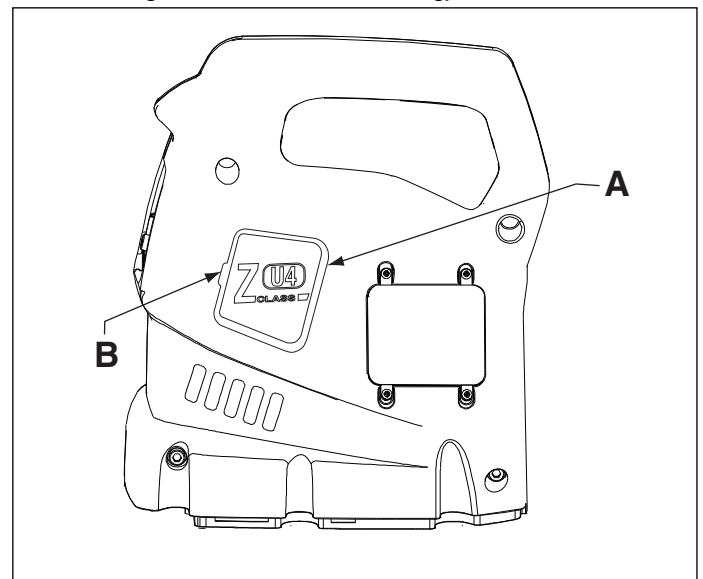


Figure 12, Fjerning av børstelokk

A. Børstelokk

B. Børstelokkslås

7.0 FEILSØKING (SE FEILSØKINGSGUIDE)

Kun kvalifiserte hydraulikkteknikere bør gjøre service på pumpen eller systemkomponentene. En systemfeil kan muligens være et resultat av en feilfunksjon på pumpen. For å bestemme årsaken til problemet må hele systemet inkluderes i enhver diagnostikk.

Følgende informasjon er ment brukt kun som en hjelp til å bestemme om det finnes et problem. For reparasjoner bes du kontakte ditt lokale, autoriserte Enerpac servicesenter.

Feilsøkingssguide		
Problem	Mulig årsak	Handling
Pumpen starter ikke når du trykker på fjernkontrollens knapp "ON/ADV" (på/fremkjøring)	Ingen effekt	Kople til strøm
	Pumpens på/av-bryter i stillingen "OFF" (av)	Beveg bryteren til stillingen "ON" (på)
	Kretsbryter utløst	Trykk kretsbryterknappen
	Lav spenning	Slå av andre elektriske laster Bruk større målerledning
	Motorbørster slitt ned til endt levetid	Se avsnitt 6.3, Skifte av motorbørster
	Skadet fjernkontroll	Reparer fjernkontrollen Kontakt et autorisert servicesenter
Motoren stanser under belastning	Lav spenning	Slå av andre elektriske laster Bruk større målerledning
Elektrisk ventil virker ikke	Ingen strøm eller feil spenning	Koble til korrekt strømkilde i samsvar med pumpens typeskilt
	Solenoidkabel frakoblet eller skadet	Koble til, reparer eller skift ut kabelen
	Solenoidspolen virker ikke	Kontakt et autorisert servicesenter
	Ventilen er feiljustert	Kontakt et autorisert servicesenter
Pumpen bygger ikke opp trykk, eller mindre enn fullt trykk	Lav oljestandl	Etterfyll olje i samsvar med avsnitt 4.4
	Avlastningsventilen er stilt for lavt	Juster i samsvar med avsnitt 5.7
	Ekstern systemlekkasje	Inspiser og reparer eller skift ut
	Indre lekkasje i pumpen	Kontakt et autorisert servicesenter
	Indre lekkasje i ventilen	
	Indre lekkasje i en systemkomponent	
Pumpen bygger opp fullt trykk, men muttertrekkeren føres ikke frem	Dreiemoment større enn sylinderkapasitet ved fullt trykk	Bruk en muttertrekker med større kapasitet
	Fremføringsstrømmingen til trekkeren begrenset eller hindret	Sjekk at koblingene har fullt inngrep i samsvar med avsnitt 4.5
Muttertrekkeren kan ikke trekkes tilbake	Returstrømledningen begrenset eller blokkert	Sjekk at hydrauliske koblinger er fullstendig sammenkopleet Kjør motoren mens sylindren trekkes tilbake
	Funksjonsfeil på ventilen	Kontakt et autorisert servicesenter
Trykket fanges i slangene etter at pumpemotoren stanser.	Trykket ikke avlastet	Avlast trykket som beskrevet i avsnitt 5.4.
Pumpen går varm	AFremførings- eller tilbaketrekningsstrømmingen begrenset	Sjekk at koblingene har fullt inngrep i samsvar med avsnitt 4.5
	Høy temperatur i omgivelsene	Installer en varmeveksler

ZU4 Klassisk momentnyckelpump

L2906 Rev. C 12/10

Reparationsanvisningar för elektriska pumpar och till denna produkt finns tillgängliga på Enerpac's webbsida på www.enerpac.com, eller från ditt närmaste Enerpac auktoriserade servicecenter eller på Enerpac's försäljningskontor.

1.0 VIKTIGA MOTTAGNINGSPÅBUD

Kontrollera att inga komponenter skadats under transport. Transportskador täcks inte av garantin. Meddela budet direkt om transportskador hittats. Budet ansvarar för alla reparations- och utbyteskostnader som uppkommit på grund av transportskador.

SÄKERHETEN FÖRST

2.0 SÄKERHETSFRÅGOR



Läs noggrant igenom alla instruktioner, varningar och försiktighetsåtgärder. Följ alla säkerhetsåtgärder för att undvika personskador eller skador på egendom under systemdrift. Enerpac kan inte hållas ansvariga för skada eller skador som uppkommit på grund av olämplig produktanvändning, brist på underhåll eller felaktig produkt- och/eller systemdrift. Kontakta Enerpac när osäkerhet uppstår gällande säkerhetsåtgärder och -drift. Om du inte fått utbildning inom hydraulisk högtryckssäkerhet, kan du höra med ditt distributions- eller servicecenter för en gratis Enerpac hydraulisk säkerhetskurs.

Att inte följa de följande försiktighetsåtgärderna och varningarna kan orsaka skador på utrustning och människor.

EN **FÖRSIKTIGHETSÅTGÄRD** används för att påvisa korrekta drifts- och underhållsprocedurer för att förhindra skador på utrustning eller annan egendom

EN **VARNING** indikerar en möjlig fara som kräver korrekta procedurer och rätt användning för att undvika personskador.

EN **RISK** visas bara när dina handlingar eller icke utförda handlingar kan orsaka allvarliga skador eller till och med dödsfall.



VARNING: Använd lämplig personlig skyddsutrustning när hydraulisk utrustning används.



VARNING: Befinn dig inte nära laster som hålls upp genom hydraulik. En cylinder, som används som lastlyftare, får aldrig användas som lasthållare. Efter att lasten höjts och sänkts måste den alltid vara mekaniskt blockerad.



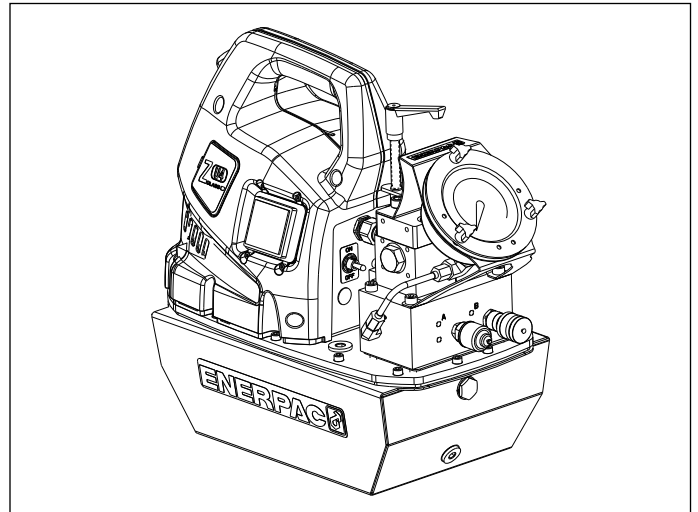
VARNING: ANVÄND BARA MYCKET HÅLLBAR UTRUSTNING FÖR ATT SÄKRA LASTERNA. Välj noggrant ut stål- och träblock som kan hålla lasten upp. Använd aldrig en hydraulisk cylinder som ett mellanlägg i någon lyft- eller pressanordning.



FARA: Håll händer och fötter borta från cylinder och arbetsyta vid drift för att undvika personskador.



VARNING: Systemets driftstryck får inte överstiga det trycket på den komponent som har lägst max. tryck, i systemet. Installera tryckmätare i systemet för att övervaka driftstrycket. Det är så du kan se vad som händer i systemet.



IAKTTA FÖRSIKTIGHET: Undvik att skada den hydrauliska slangen. Undvik snäva böjningar och öglor vid hantering av de hydrauliska slangarna. Användning av böjda eller öglade slangar kan orsaka undertryck. Snäva böjningar och öglor kan skada slangen invändigt vilket orsakar för tidig utslitning.



Släpp inte tunga saker på slangen. En hård stöt kan orsaka invändiga skador på slangens vajerslingor. Att applicera tryck på en skadad slang kan göra att den går sönder.



VIKTIGT: Lyft inte den hydrauliska utrustningen med slangarna eller snabbkopplingarna. Använd bärhandtagen eller andra hjälpmedel för en säker transport.



IAKTTA FÖRSIKTIGHET: Håll den hydrauliska utrustningen borta från brand och hetta. För mycket hetta kan göra att packningarna och ventilerna skadas, vilket resulterar i vätskeläckor. Hetta skadar också slangarna och packningarna. Utsätt inte utrustningen för temperaturer på 65 °C (150 °F) eller högre för en optimal prestanda. Skydda slangar och cylindrar från svetsstänk.



FARA: Hantera inte slangar med under tryck. Olja som tar sig ut under tryck kan penetrera huden och orsaka allvarliga skador. Uppsök läkare direkt om oljan sprutas in under huden.



VARNING: Använd endast hydrauliska momentnycklar i kopplade system. Använd aldrig en momentnyckel med ej sammanhängande kopplingar. Om momentnyckeln blir extremt överbelastad, kan komponenterna ge efter katastrofalt och orsaka allvarlig personskada.



VIKTIGT: Hydraulisk utrustning får bara underhållas av en behörig hydraulisk tekniker. Kontakta ett behörigt ENERPAC servicecenter i ditt område vid behov av reparationer. Använd bara ENERPAC-olja för att skydda din garanti.



WARNING: Byt direkt ut utslitna eller skadade delar med äkta ENERPAC-delar. Standarddelar kan gå sönder vilket orsakar personskador och egendomsskador. ENERPAC-delar är tillverkade för att passa perfekt och motstå höga laster.



WARNING: Använd inte elektriska pumpar i explosionsfarlig omgivning. Följ alla lokala och nationella elföreskrifter. En behörig elektriker måste göra installation och ändring.



WARNING: Håll händerna borta från rörliga delar och trycksatta slangar.



WARNING: Dessa pumpar har inbyggda, fabriksinställda säkerhetsventiler, som endast får repareras eller justeras av ett auktoriserat Enerpac servicecenter.

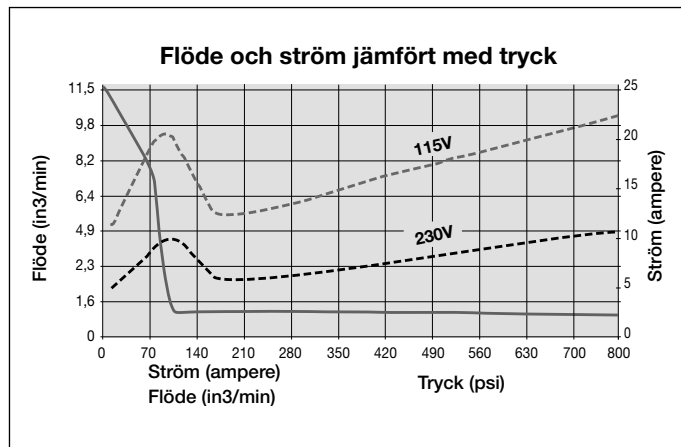


FÖRSIKTIGHETSÅTGÄRD! **Kontrollera specifikationerna för att undvika skada på pumpens elmotor. Använder du felaktig strömkälla skadas motorn.**

3.0 SPECIFIKATIONER

3.1 Prestandadiagram (se längst ner på sidan)

3.2 Flödesschema (se figur 1):



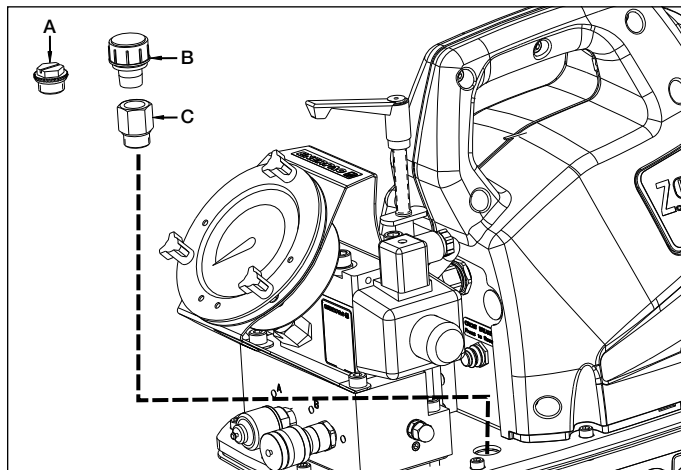
Figur 1, Flödesschema

4.0 MONTERING

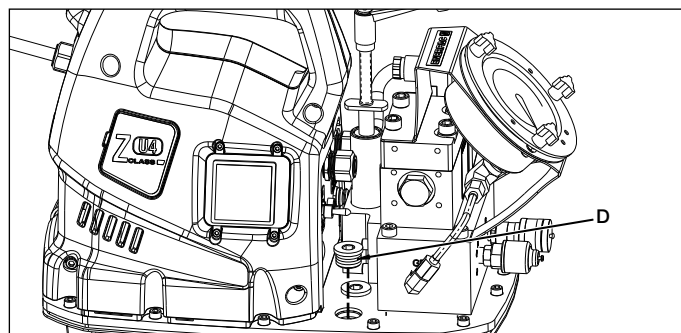
Montera eller placera pumpen för att säkerställa att luftflödet runt motorn och pumpen är fritt. Håll motorn ren för att säkerställa maximal kylning under drift.

4.1 Ventilator- och oljepåfyllningsplugg (se figur 2 & 3)

En transportplugg (A) är monterad i ventilatorporten ovanpå behållaren. Byt ut transportpluggen (A) mot ventilatorkåpan (B) och adapteranslutningen (C), innan pumpen används. **OBS!** Oljepåfyllningsporten är placerad på pumpens motsatta sida. Oljepåfyllningsporten använder en SAE nr 10-plugg (D).



Figur 2, Ventilatormontering



Figur 3, Oljepåfyllningsplugg

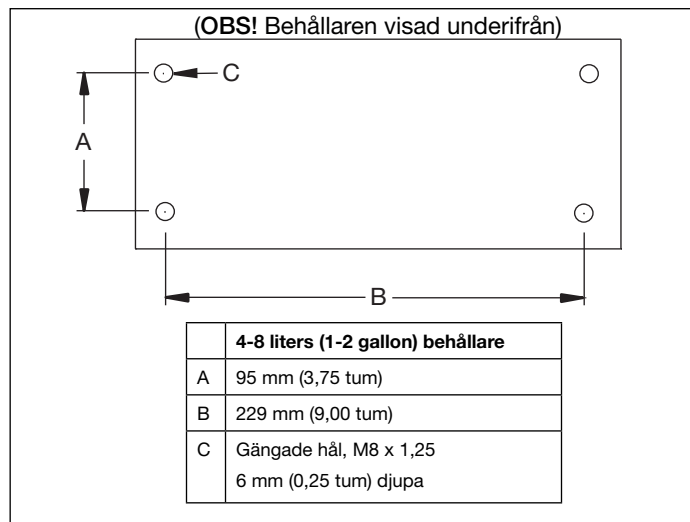
▼ Prestandadiagram för ZU4

Motorstorlek (hk)	Utfloedshastighet cm3/min (in3/min)				Motorns elspecifikationer (Volts-Fas-Hz)	Ljudnivå (dBA)	Säkerhetsventilens justeringsområde bar (psi)
	7 bar (100 psi)	50 bar (700 psi)	350 bar (5,000 psi)	700 bar (10,000 psi)			
1.7*	11473 (700)	3768,6 (535)	1245,6 (76)	983,4 (60)	115-1-50/60 230-1-50/60	85-90	100-700 (1,400-10,000) för Q-versionen 100-800 (1,400-11,600) för E-versionen

*Faktisk strömförbrukning beror på tillämpningen. Se figur 1.

4.2 Pumpmontering (se figur 3)

Se figur 3 för monteringsmått för att säkra pumpen vid en fast yta.



Figur 4, Monteringsmått

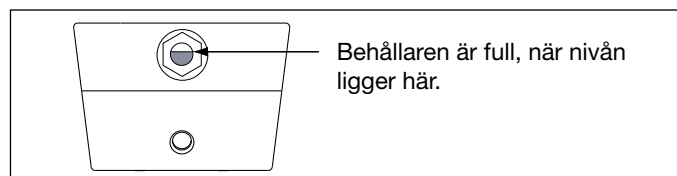
4.3 Elektriska anslutningar

PUMPEN ÄR FABRIKSTRUSTAD MED VANLIG ELKONTAKT FÖR GIVEN SPÄNNING. ÄNDRING AV KONTAKTTYP BÖR ENDAST UTFÖRAS AV KVALIFICERAD ELEKTRIKER, OCH SKA FÖLJA ALLA LOKALA OCH NATIONELLA BESTÄMMELSER.

1. Frånkopplings- och nätströmsskydd ska tillhandahållas av kunden. Nätströmsskyddet ska vara 115 % av motorns fulla belastningsström vid maximalt applikationstryck (se figur 1).
2. För ytterligare information se pumpens namnplåt beträffande märkeffekt.

4.4 Oljenivå

Kontrollera oljenivån i pumpen före igångsättning, och fyll vid behov på olja genom att ta bort SAE nr. 10-pluggen från kåpan (se figur 3). Behållaren är full när oljenivån är som figur 5 visar.



Figur 5, Inspektionsrör

Viktigt! : Fyll på olja endast när alla systemkomponenter dragits tillbaka, för annars kommer systemet att innehålla med olja än behållaren kan rymma.

4.5 Anslut hydraulslangarna

Anslut slangarna som figur 6 visar.

1. (-E) Pumptyp för Enerpac SQD- och HXD-momentnycklar. Se till att du använder slangar märkta "Enerpac THC-700 Series - 800 Bar/11,600 psi max." Kopplingarna på dessa slangar har "polariserats" vid fabriken för att säkerställa korrekt nyckelarbete.
 - A. Honkopplingar för slang och nyckel. Dra åt de gängade kopplingslåsringarna för hand. Inga verktyg krävs.

B. (-E)-pumpens honkopplingar är självlåsande. Tryck ihop passande kopplingar tills kopplingsringen snäpper framåt. För att fränkoppla dem vrider du kopplingslåsringen och trycker bort från anslutningen.

2. (-Q) Pumptyp för Enerpac S- och W-momentnycklar och andra märken: Använd slangar märkta "Enerpac THQ-700 series - 700 bar/10,000 psi max." Kopplingar måste polariseras enligt figur 5 för korrekt nyckelarbete. Säkerställ att kopplingarna är helt inkopplade och åtdragna före användning. Delvis kopplingsinkoppling kommer att förhindra riktigt nyckelarbete.



WARNING: Vid användning av (-Q)-pumpar med flernyckelsfördelare, se till att oanvända kopplingar har skyddslock helt monterade innan pumpen startas.

Obs! : När nyckeln först ansluts till pumpen, kommer luft att innesätas i hydraulkretsen. Avlägsna luften genom att placera nyckel och uträtade slangar under pumpen, och använd nyckeln utan belastning tills den roterar utan uppehåll.

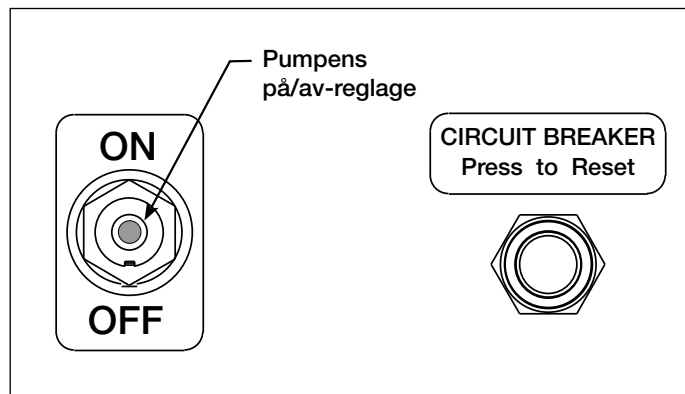
5.0 DRIFT

5.1 Pumpmotorns till/från-brytare (se figur 7)

Till/från-brytarens lägen::

1. ON (till) - Pumpen regleras av pendangen. Pumpmotorn startar när pendangens ON/ADV (på/framåt)-knapp trycks ner.
2. OFF (av) - Pendangen inaktiverad. Pumpen startar inte när pendangens ON/ADV (på/framåt)-knapp trycks ner.

Överströmsskydd: Om den utlösts, trycker du på knappen för att återställa den .



Figur 7, Pumpkontrollpanel

5.2 Användning av pendang (se figur 8)

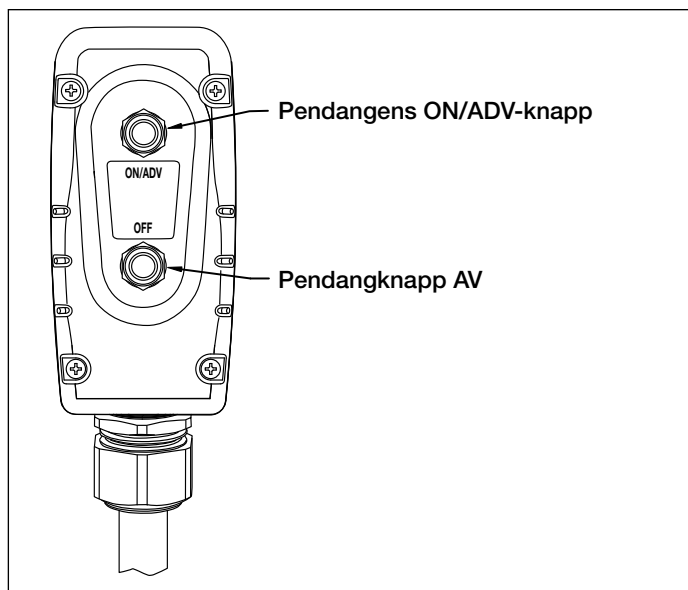
1. Pendangens ON/ADV-knapp:

- Knappen nedtryckt = Motorn slås PÅ. Nyckeln DRIVS FRAMÅT så länge som knappen hålls nertryckt.
- Knappen uppsläppt = Nyckeln DRAS TILLBAKA. Motorn fortsätter gå i upp till 20 sekunder.

2. Pendangknapp "OFF":

- Knappen nedtryckt = Motorn slås AV omedelbart.

Obs: Omedelbar motoravstängning inträffar om pumpens på/av-brytare flyttas till OFF (av) medan pumpen går.



Figur 8, Pendangens knappar

5.3 Pumpdrift

VIKTIGT: Endast en användare bör, om möjligt, använda momentnyckel och pump. Detta kan förhindra oavsiktlig aktivering av pumpen medan operatören placerar nyckeln.

1. Kontrollera alla systeminpassningar och anslutningar för att vara säkra på att de sitter åt och inte läcker. (Se avsnitt 4.4)
2. Kontrollera oljenivån i behållaren och fyll vid behov på olja. (Se avsnitt 4.4)
3. Se till att transportpluggen har tagits bort och att ventilationskåpan monterats. (Se avsnitt 4,1)
4. Anslut enheten till strömmen. Flytta pumpens på/av-brytare till ON (på). Se figur 7.



WARNING: I följande steg startar pumpmotorn och ventilen växlar automatiskt och drar tillbaka momentnyckeln. Verifiera att momentnyckeln har placerats så att personskada eller skada på utrustningen undviks, innan motorn startas.

5. För att starta pumpen trycker du på "ON/ADV"-knappen på pendangen. Se figur 8. Motorn startar automatiskt och nyckeln börjar föras framåt. Nyckeln fortsätter att föras framåt så länge som knappen hålls nertryckt.
6. Släpp den ON/ADV-knappen för att dra tillbaka nyckeln. När knappen släppts upp visar mätaren trycket i returkretsen (B-avlastningsporten), ungefär 173 – 193 bar [2 500 – 2 800 psi].

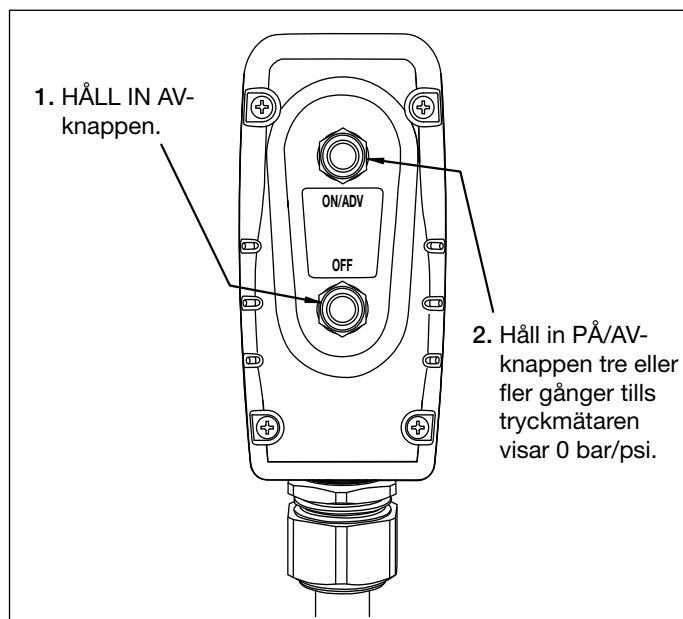
7. Tryck på OFF/DUMP-knappen för att stänga av motorn.

Obs! Om ON/ADV-knappen inte trycks ner inom en kontinuerlig 20-sekundersperiod, kommer pumpens inbyggda timer automatiskt att stänga av motorn.

5.4 Lätta på trycket

För att lätta på hydraultrycket på nyckeln och slangarna:

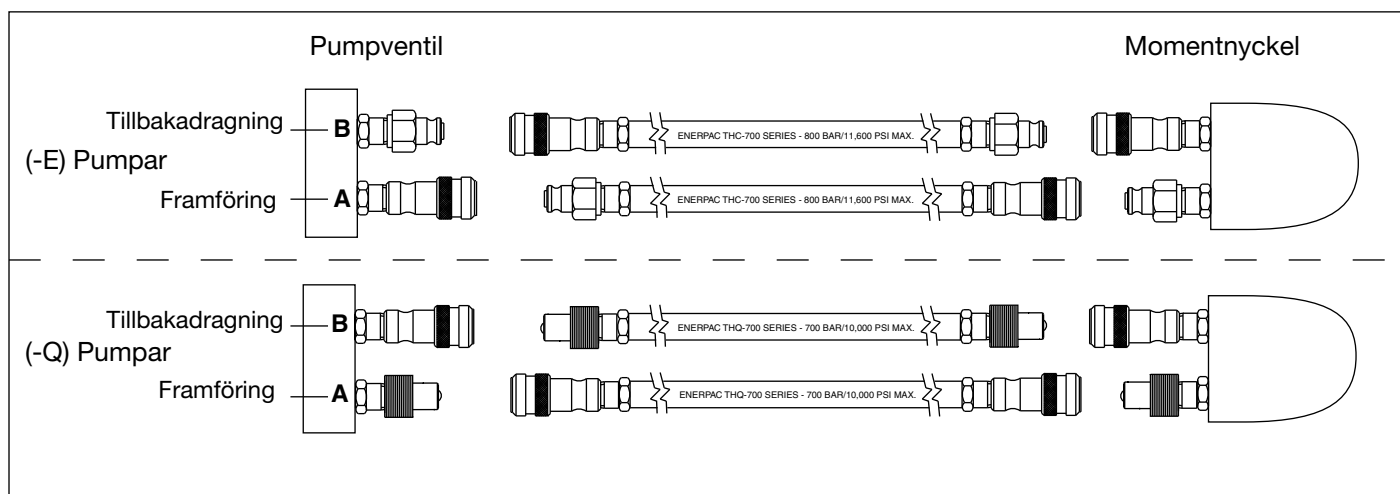
- Tryck ner och håll nere AV-knappen. Se figur 9.
- Fortsätt håll nere OFF-knappen, tryck ner och släpp upp PÅ/AV-knappen tre eller fler gånger tills tryckmätaren 0 bar/psi. Slangarna kan nu tas bort.



Figur 9, Lätta på trycket

5.5 Mätnings- och överlägsrutin

Pumpen kommer med en tryckmätare installerad. För bekvämlighets skull medföljer vridmomentsöverlägg med varje pump. Ett vridmomentsöverlägg passar över tryckmätarens mätartavla och konverterar lätt tryckavläsningar till vridmomentsavläsningar (se fig. 10, vy A). Överlägget har brittiska enheter (ft-lbs) på ena sidan och metrisk enheter (Nm) på den andra. För att ändra skalor vänder du helt enkelt på överlägget.



Figur 6, Slangdetaljer



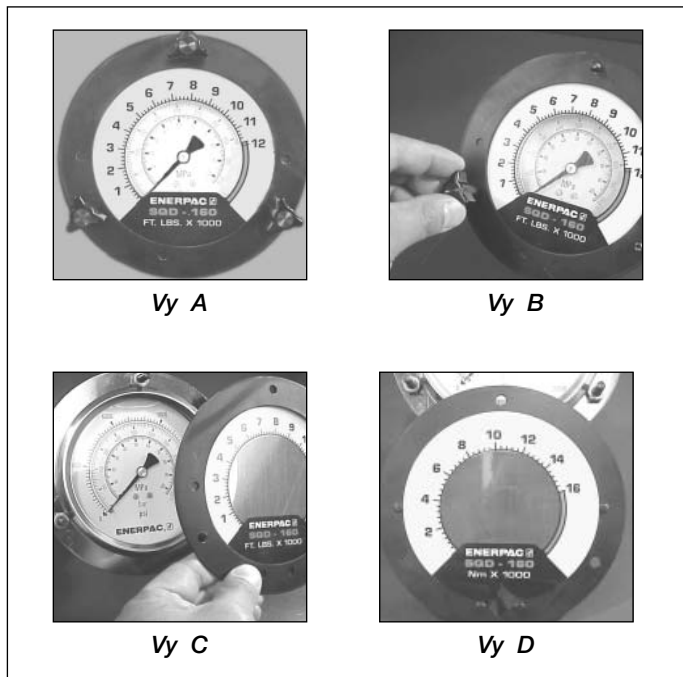
WARNING: Varje överlägg är anpassat **ENDAST** för en specifik Enerpac-momentnyckel. Får inte användas med andra nycklar.

5.6 Byta överlägg

1. Ta bort de tre svarta vingvredena som håller den främre mätarflänsen på plats (se fig. 10, vy B).
2. Ta bort främre flänsen och överlägget (se fig. 10, vy C).
3. Sätt in nytt överlägg (kom ihåg att verifiera att korrekt överlägg för Enerpac vridmomentnyckel används) på flänsen, rikta in överlägget med försänkningarna på flänsens baksida (se fig 10, vy D).
4. Medan du håller överlägget bakom flänsen (se fig. 10, vy C) sätter du in flänsen på vrestapparna, placerar om överlägget efter behov och drar åt vreden för hand (se fig. 10, vy B). Flänsen pressar överlägget mot mätaren och säkrar det på plats. Se momentnyckelinstruktionerna för den mängd tryck som behövs för att producera önskat vridmoment. Observera att det maximala trycket varierar beroende på nycklar och tillbehör.



WARNING: Se momentnyckelinstruktionerna för nyckelrutiner.



Figur 10, Överläggsmontering

5.7 Tryck- (vridmoment-)inställning



WARNING: Gör dessa justeringar **INNAN** du sätter momentnyckeln på en mutter eller bultskalle. Pumstrycksinställningen kan ligga över det tryck som behövs för att ge erforderligt vridmoment för din applikation. Att överskrida erforderligt vridmoment kan orsaka skada på utrustningen och kan leda till allvarig personskada.

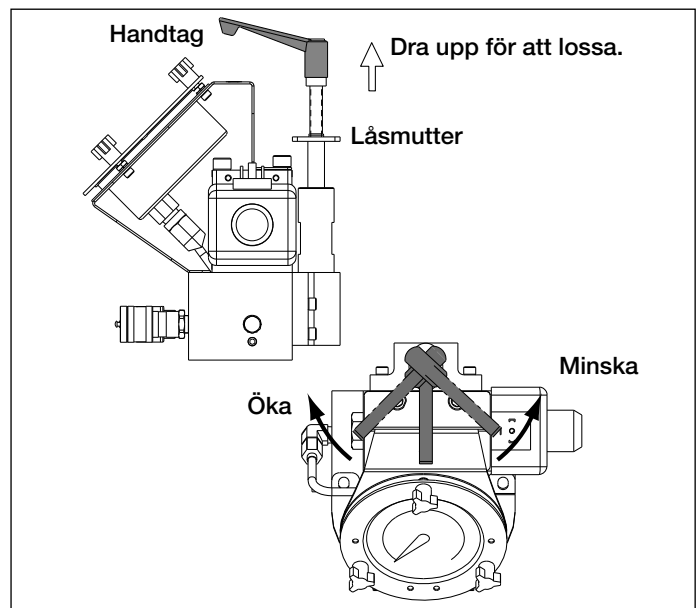
För att begränsa tryckframförandet till momentnyckeln, justera säkerhetsventilen enligt följande. Se figur 11.

1. Lossa säkerhetsventilens låsmutter.
2. Vrid ventilhandtaget moturs tills du känner ett lätt eller inget motstånd. När detta inträffar har ventilen nått sin lägsta inställning.

OBS! Ventilhandtaget kan bara vridas ungefär två tredjedels varv. När det inte går att vrida mer, dra upp handtaget för att

lossa det. Justera sedan handtaget och ta ett nytt tag för att kunna vrida lite mer (enligt behov).

3. Flytta pumpens på/av-reglage till PÅ.
 4. Tryck ner och håll nere pendangknappen PÅ/AV. Motorn startar och trycket börjar byggas upp i A-portens matarkrets.
 5. Fortsätt hålla ner PÅ/AV-knappen samtidigt som du **LÅNGSAMT** vrider säkerhetsventilens justerskruv medurs tills trycket ökar till önskad inställning.
- OBS!** För att få en noggrann inställning, sänk alltid trycket till en punkt under den slutliga inställningen och höj sedan trycket tills det når den slutliga inställningen
6. Släpp upp PÅ/AV-knappen för att låta systemtrycket återgå till B-portens returinställning. Motorn fortsätter att gå.
 7. Tryck ner och håll ner PÅ/AV-knappen igen för att kontrollera tryckinställningen i matarkretsen. Kontrollera att önskat tryck visas på tryckmätaren.
 8. När önskat tryck uppnåtts, dra åt säkerhetsskruvens låsmutter.



Figur 11, Justering av säkerhetsventilen

6.0 UNDERHÅLL

Undersök regelbundet alla systemkomponenter och leta efter läckor eller skada. Reparera eller byt ut skadade komponenter. Elektriska komponenter, t.ex. nätsladden, kan endast repareras eller bytas av en kvalificerad tekniker, som följer alla gällande lokala och nationella bestämmelser.

6.1 Kontrollera oljenivån

Kontrollera oljenivån i pumpen före igångsättning, och fyll vid behov på olja genom att ta av pluggen i påfyllningsporten. Se figur 3 och 5. Se alltid till att momentnyckeln är helt tillbakadragen innan du fyller på olja i behållaren.

6.2 Byte av olja och rengöring av behållaren

Enerpac HF-olja har en klar blå färg. Kontrollera regelbundet oljans tillstånd och leta efter föroreningar genom att jämföra oljan i pumpen med ny Enerpac-olja. Ta som regel att helt tappa ur och rengöra behållaren var 250:e körtimme, eller oftare om utrustningen använts i smutsiga miljöer.

OBS! Denna procedur kräver att du demonterar pumpen från behållaren. Arbeta på en ren bänk och kassera använd olja i enlighet med lokala bestämmelser.

1. Lossa avtappningspluggen och tappa ur all olja ur behållaren. Gör ren och sätt tillbaka avtappningspluggen.
2. Skruva loss de 13 bultar som håller täckplåten vid behållaren och lyft ut pumpenheten ur behållaren. Var försiktig så att du inte skadar filtersilen.
3. Rengör behållaren och behållarens magnet (extrautr.) noggrant med lämpligt rengöringsmedel.
4. Ta bort sugfiltersilen för rengöring. (Dra inte i silen eller i botten på intaget för att undvika eventuell skada.) Rengör silen med lösningsmedel och en mjuk borste. Sätt tillbaka den.
5. Montera ihop pumpen och behållaren och sätt på en ny packning på behållaren.
6. Fyll behållaren med ren Enerpac-hydraulolja. Behållaren är full när oljenivån är som figur 5 visar.

6.3 Byte av motorborste

För att förhindra motorskada omfattar ZU4-motorborstarna ett automatiskt notorstopp, när ett av borstkolen slitits ner till en längd på 6 mm [0.25 tum]. Undersök båda borstarna.

1. Koppla bort pumpen från elnäte.



FARA! För att undvika att eventuellt dödas av elström måste pumpen helt kopplas loss från elnätet, innan du försöker dig på att serva borstarna.

2. Ta bort båda borstlocken (A) genom att böja borstlocksspärren (B) och försiktigt bända utåt (se figur 12).
3. Ta bort motorborstarna genom att vrida det svarta locket moturs.
4. Byt ut båda borstarna och utför proceduren i omvänd ordning för hopsättning.

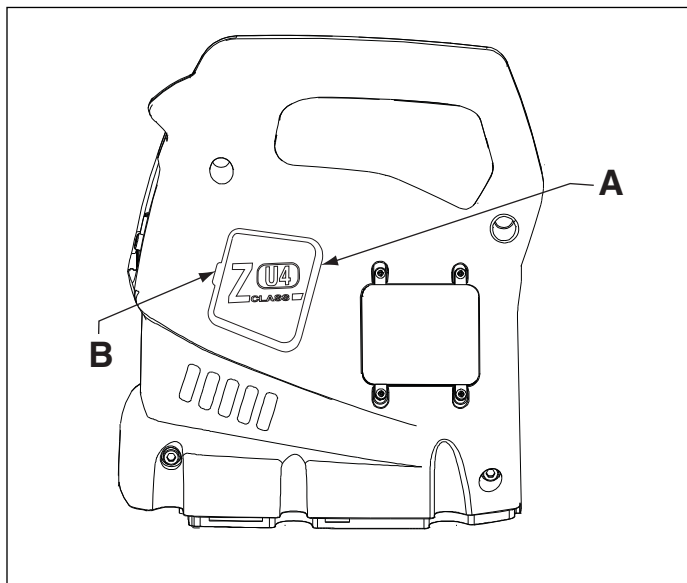


Figure 12, Demontering av borstlock

A. Borstlock

B. Borstlocksspärr

7.0 FELSÖKNING (SE FELSÖKNINGSHANDBOKEN)

Endast kvalificerade hydraultekniker ska serva pumpen eller systemkomponenterna. Ett systemfel kanske eller kanske inte är ett resultat av ett pumpfel. För att fastställa orsaken till problemet måste hela systemet inkluderas i alla diagnostikprocedurer.

Följande information är endast avsedd att användas som hjälp för att fastställa om problem föreligger. För reparationservice kontaktar du ditt lokala auktoriserade Enerpac-servicecenter.

Felsökning		
Problem	Trolig orsak	Åtgärd
Pumpen startar inte när pendangens ON/ADV-knapp trycks ner	Ingen ström	Slå på strömmen
	Pumpens på/av-brytare i OFF-läge	Flytta brytaren till ON-läget
	Överspänningsskyddet utlöst	Tryck på överspänningsskyddets knapp
	Låg spänning	Stäng av alla andra elektriska belastningar Använd en skarvsladd med tjockare trådar
	Motorborstarna utslitna	Se avsnitt 6.3, Byte av motorborste
	Pendang skadad	Reparera pendangen Kontakta auktoriserat servicecenterr
Motorn stannar under belastning	Låg spänning	Stäng av alla andra elektriska belastningar Använd en skarvsladd med tjockare trådar
Elventilen fungerar inte	Ingen ström till pumpen eller fel spänning	ut till korrekt strömkälla enligt pumpens namnplåt
	Solenoidkabeln loss eller skadad	Anslut, reparera eller byt kabeln
	Solenoidspolen fungerar inte	Kontakta auktoriserat servicecenter
	Ventilen behöver justeras	Kontakta auktoriserat servicecenter
Pumpen misslyckas med att skapa tryck eller skapar mindre än fullt tryck	Låg oljenivå	Fyll på olja enligt avsnitt 4.4
	Säkerhetsventilen inställd för lågt.	Justera enligt avsnitt 5,7
	Extern systemläcka	Undersök och reparera eller byt
	Intern läcka i pumpen	Kontakta auktoriserat servicecenterr
	Intern läcka i ventilen	
	Intern läcka i systemkomponent	
Pumpen skapar fullt tryck, men momentnyckeln rör sig inte	Vridmomentet högre än nyckelns kapacitet vid fullt tryck	Använd momentnyckel med större kapacitet
	Matarflödet till nyckeln begränsat eller blockerat	Kontrollera att kopplingarna är helt inkopplade enligt avsnitt 4.5
Momentnyckeln går inte tillbaka	Returflödesledningen igensatt eller blockerad	Kontrollera att kopplingarna är helt anslutna Kör motorn under tillbakadragning
	Ventilfel	Kontakta auktoriserat servicecenter
Det finns tryck kvar i slangarna när pumpmotorn stannat.	Trycket har inte lättats.	Lätta på trycket enligt avsnitt 5.4
Pumpen går varm	Matar- eller returflödet begränsat	Kontrollera att kopplingarna är helt inkopplade enligt avsnitt 4.5
	Hög omgivningstemperatur	IMontera värmväxlare

L2906 Rev. C 12/10

本产品的维修部件说明可以从ENERPAC网站 WWW.ENERPAC.COM, 或从您最近的ENERPAC服务中心, 或ENERPAC办事处获得。

1.0 重要收货说明

检查所有零件是否存在运输损伤。运输过程中的损伤不在质保范围。如发现运输过程中的损伤, 请立即通知承运商, 其有责任承担由运输损坏造成的修理及更换费用。

安全第一

2.0 安全条例



阅读所有说明书, 警告及注意事项。操作时, 遵守一切安全规则, 避免发生人身伤害及财产损失。如果用户由于非安全生产, 缺乏正常维护, 操作或使用不当而造成的人身伤害及财产损失, ENERPAC不负任何责任。如对安全防范及措施有任何疑问, 请和ENERPAC联系。如果您在高压液压方面从未接受过培训, 请联系您本地区的分销商或服务中心进行免费的ENERPAC液压安全培训课程。

不遵守下列警示及防范条例, 将会造成设备损坏及人身伤害。

注意-用来说明正确的操作、维护程序以及如何避免伤害或损坏设备及其他财产。

警告-说明一种潜在的危險, 要求有正确的程序和习惯以避免人身伤害。

危險-仅是指您的某个动作(或缺乏某个动作)可能导致严重的伤害甚至死亡事故。



警告: 当操作高压液压系统时应配备正确的劳动保护装备。



警告: 不要在液液压支撑的负载下逗留。当油缸被用来作为顶升负载的装置时, 绝不能够作为负载支撑装置来使用。在负载被顶升或下降后, 必须采用机械装置牢固支撑。



警告: 必须使用刚性物体来支撑重物。仔细选择能够承受重物的钢或者木块来支撑载荷。不要在顶升或挤压应用中将液压缸当作垫块使用。



危險: 为避免人身伤害, 操作中手脚与油缸和工件保持一定距离。



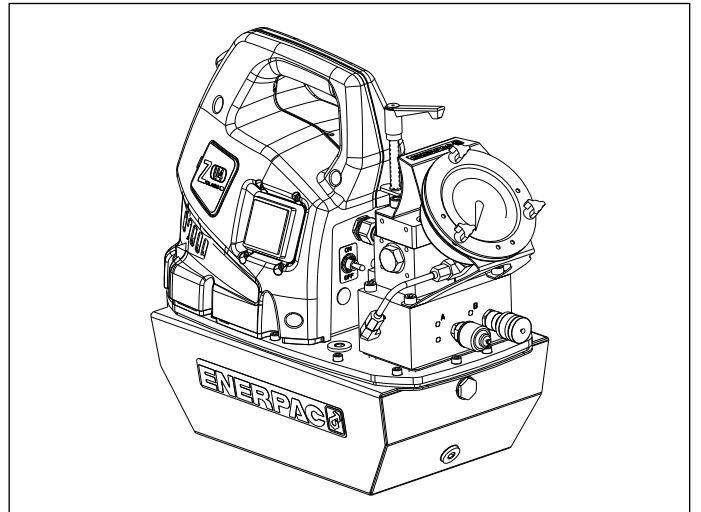
警告: 系统的最大工作压力决不能超过系统中最低压力等级原件的最大工作压力。安装压力表在系统中以检测系统压力。压力表是您观察液压系统的窗口。



注意: 避免损坏软管。在排放软管时应避免过度弯曲和绞结软管。使用过度弯曲或绞结的软管将会产生极大的背压。过度弯曲和绞结软管将损坏软管内部结构, 从而导致油管过早失效。



避免: 将重物砸压在油管上。剧烈的冲击会对油管内部钢丝编织产生损害。给有损伤的油管加压会导致油管爆裂。



重要: 严禁提拉软管或旋转接头来提起液压设备。应使用搬运手柄或其他安全方式。



注意: 使液压设备远离明火或过热源。过热会软化衬垫和密封, 导致油液泄漏。热量也会弱化软管材料和包装。为了达到最佳工作状态, 不要让设备处于65°C或更高温度中。保护软管和油缸免受焊接火花的喷溅。



危險: 不要用手触摸打压状态的软管。飞溅出的压力油能射穿皮肤, 导致严重的伤害。如有压力油溅到皮肤上, 请立即去看医生。



警告: 只能在系统全部连接好后才能使用油缸, 决不能在系统未完全连接时使用油缸。如果油缸极度过载, 各部件将产生不可挽回的损坏, 其结果导致极为严重的人身伤亡。



重要: 液压设备必须由有资质的液压技术人员维护。如需修理维护, 请与您区域内的ENERPAC授权服务中心联系。请使用ENERPAC液压油, 以保护ENERPAC对您设备的质量保证。



警告: 及时用正牌的ENERPAC零件替换已磨损或已损坏的零件。普通级别的零件会破裂, 导致人身伤害和财产损失。ENERPAC零部件被设计来承受高压载荷。



警告: 不要在爆炸性空气中使用电泵。遵守所有地方和国家电气法规。安装和改造工作必须由合格的电工执行。



警告: 让双手远离移动的零件和压力软管。



警告: 这些泵带有内部泄压阀, 这些阀在出厂时都已调节妥当; 必要时, 只能由授权的 Enerpac 服务中心维修或调节。



小心: 为了防止损坏泵的电机, 请核对规格。使用不正确的电源会损坏电机。

3.0 规格

3.1 性能图 (见页底)

3.2 流量图 (见图 1)

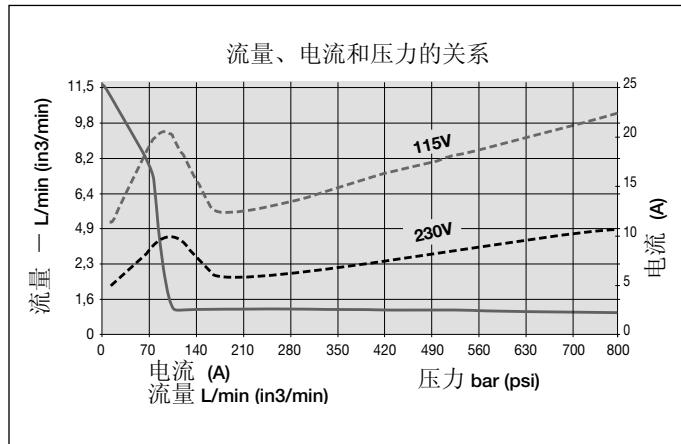


图 1 - 流量图

4.0 安装

安装泵或对其进行定位，确保电机和泵周围的气流畅通无阻。让电机保持清洁，确保在操作过程中获得最大冷却效果。

4.1 通气帽和注油塞 (请参阅图 2 和图 3)

油箱顶部的通气口中安装有一个运输管塞 (A)。使用泵之前，将运输管塞 (A) 换成通气帽 (B) 和适配接头 (C)。注：加油口位于泵的另一侧。加油口使用的是 SAE #10 塞 (D)。

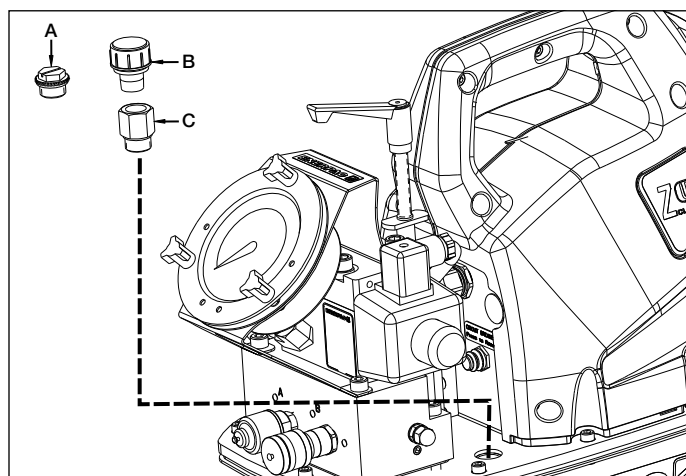


图 2, 通气装置安装图

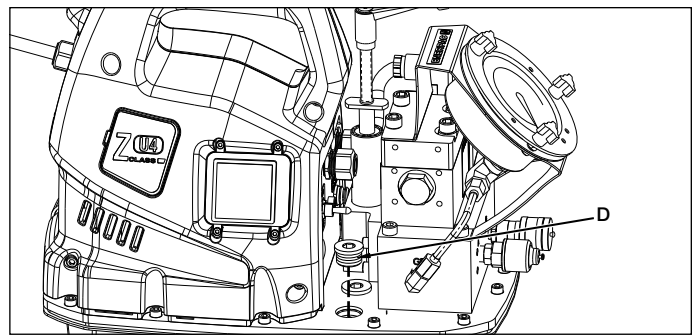


图 3, 注油塞

4.2 安装泵 (见图 4)

图 3 显示了将泵安装在固定平面时的安装尺寸。

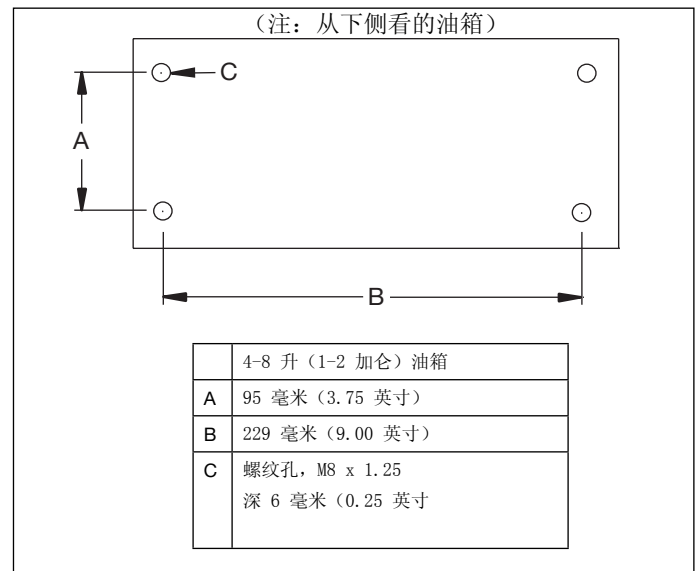


图 4 - 安装尺寸

4.3 电连接

泵在出厂时配备了指定电压的通用插头。只能由有资格的电工按照所有适用的地方和国家法规来更改插头类型。

1. 由客户提供断线和线路保护。线路保护应为在最高使用压力下电机满负荷电流的 115% (见图 1)。
2. 欲获得更多信息，请参阅泵铭牌上的功率额定值。

4.4 油位

启动前检查泵的油位，必要时，从盖板上拔掉 SAE #10 塞，然后给泵加油 (见图 3)。油位如图 5 所示时油箱满。

▼ ZU4 性能表

电机功率 (kw)	输出流量 L ³ /min				电机电气规格 (V-Ph-Hz)	噪音等级 (dBA)	泄压阀 调节范围 bar (psi)
	7 bar (100 psi)	50 bar (700 psi)	350 bar (5,000 psi)	700 bar (10,000 psi)			
1.27*	11.2 (700)	8.56 (535)	1.216 (76)	0.96 (60)	115-1-50/60 230-1-50/60	85-90	1,400-10,000 for "Q" version 1,400-11,600 for "E" version

*Actual power consumption depends on the application. See Figure 1.

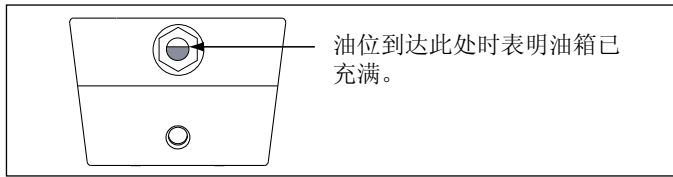


图 5 — 观察孔

重要事项：只能在所有系统组件都缩回时加油，否则，系统中的油量会超过油箱容量

4.5 连接液压软管

如图 6 所示连接软管。

1. 适合使用 Enerpac SQD 和 HXD 扭矩扳手的 (-E) 型泵：确保使用标有“Enerpac THC-700 Series - 800 Bar/11,600 psi max”的软管。这些软管上的接头在出厂时进行了极化处理，以确保扳手操作正确性。
 - A. 软管和扳手母螺纹接头。手工拧紧螺纹接头锁紧环，不需要工具。
 - B. (-E) 泵的母螺纹接头为自锁式，将对接头按在一起，直到接头锁紧环咬合好为止。如果要断开连接，请顺时针旋动接头锁紧环，使它们彼此脱离。
2. 适合使用 Enerpac S 和 W 扭矩扳手及其他品牌扭矩扳手的 (-Q) 型泵：使用标有“Enerpac THQ-700 series - 700 bar/10,000 psi max”的软管。接头必须按照图 5 所示进行极化处理，以确保扳手操作正确性。操作前确保接头完全啮合并已拧紧。如果接头只是部分啮合，将会妨碍扳手正确操作。



警告：如果和多扳手阀块一起使用 (-Q) 泵，在启动泵之前请确保所有未使用的接头都安装了保护盖。

注：第一次将扳手连接到泵上时，液压管路中会滞留空气。此时，应在泵下方放置扳手并伸直软管，然后在空载状态下操作扳手，直到它能顺畅旋转为止。

5.0 操作

5.1 泵开关（见图 7）

开关位置：

1. ON - 泵由悬吊开关控制。按下悬吊开关的“ON/ADV”时将启动泵。
OFF - 禁用悬吊开关。按下悬吊开关的“ON/ADV”时并不会启动泵。

断路器：跳闸时，按下按钮复位。

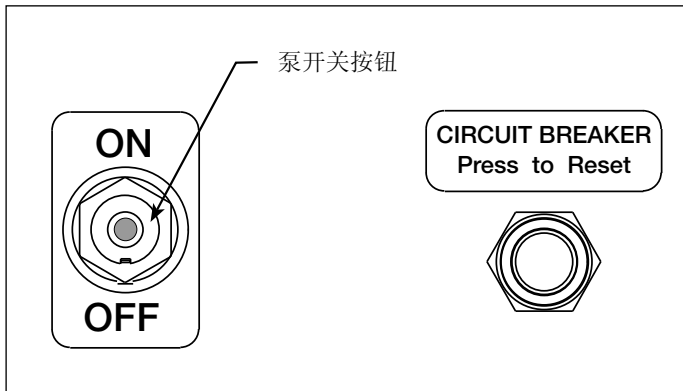


图 7 — 泵控制面板

5.2 悬吊开关操作（见图 7）

1. 悬吊开关的“ON/ADV”按钮：

- 按下此按钮 - 电机开启。按住此按钮扳手将一直前进。
- 松开按钮 - 扳手缩回。电机会继续运转大约 20 秒钟。

2. 操作手柄的“OFF（关）”按钮：

- 按下此按钮 - 电机立即关闭。

注：如果在泵运转时泵开关移到 OFF 位置，电机会立即停止运转。

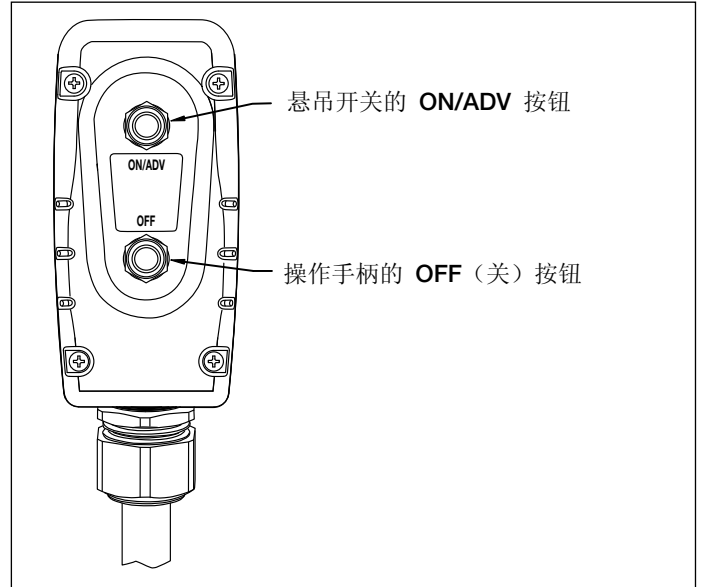


图 8 — 悬吊开关按钮

5.3 泵操作

重要事项：只要可能，应该由一位用户操作扭矩扳手和泵。这样，在操作员使用扳手时，可防止泵意外操作。

1. 检查所有系统配件和连接，确保它们紧密且无泄漏。
2. 检查油箱的油位，根据需要加油。（见第 4.4 节）
3. 请务必卸下运输管塞，安装通气管帽。（见第 4.1 节）
4. 将设备连接到电源上。将泵的电源开关置于“ON”位置。见图 7。



警告：在以下步骤中，泵电机将启动，且阀将自动切换以缩回扭矩扳手。在启动电机前，验证扭矩扳手的位置是否可防止受伤或设备损坏

5. 要启动泵，请按下悬吊开关上的“ON/ADV”按钮。请参见图 8。电机将自动启动，且扳手将开始推进。只要按住此按钮，扳手就会一直前进。
6. 松开“ON/ADV”按钮，可以让扳手缩回。松开按钮后，压力将显示收缩管路（B 接口旁通）中的压力，大约为 173-193 bar (2500 - 2800 psi)。
7. 按下“OFF/DUMP”按钮以停止电机的运转。

注：如果在连续 20 秒钟内没有按下“ON/ADV”按钮，则泵的内置计时器将自动关闭电机

8. 要释放扳手和软管上的液压，请在电机关闭后按住“OFF/DUMP”按钮。现在可以卸下软管。

注：配备有热交换器时：设备将允许计时器自动关闭泵（若可行）。在任何空闲阶段，泵都会让 90% 的油通过热交换器循环

流动，以降低油温。

5.4 残压释放

要释放扳手和软管上的残余压力：

- 按住“OFF (关)”按钮。见图 9。
- 继续按住“OFF (关)”按钮，同时按“ON/ADV (开/前进)”按钮三次或更多次，直至压力计读数变为 0 巴/psi。这时可以卸下软管。

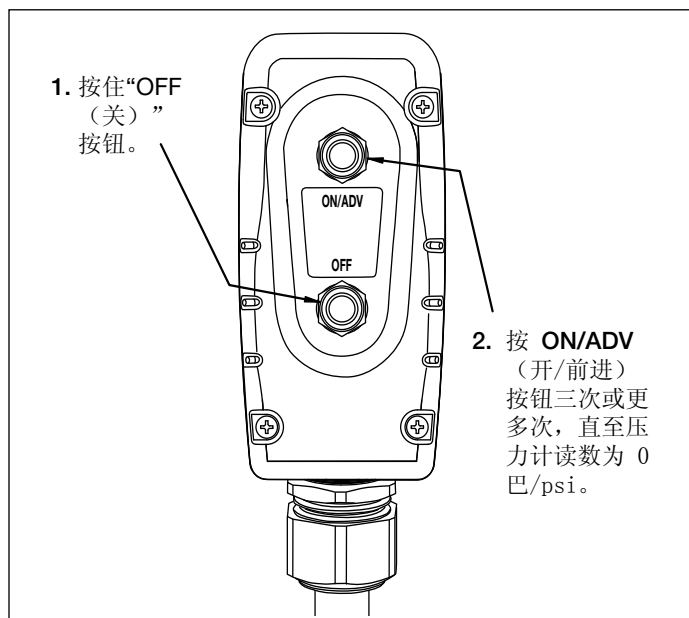


图 9 — 残压释放

5.5 压力计和扭矩盖操作程序

泵上预装有压力计。为了方便操作，我们为每个泵提供了几个扭矩盖。将扭矩盖装到压力计刻度盘面上，就能轻松将压力读数换算为扭矩读数（见图 10 — 视图 A）。扭矩盖一侧为英制单位 (Ft-Lbs)，另一侧为公制单位 (Nm)。要更改度量，滑动扭矩盖即可。



警告：每个扭矩盖仅适用于一个 Enerpac 扭矩扳手。请勿用于其他扳手。

5.6 更换扭矩盖

1. 卸下固定压力计前法兰的三个黑色翼形螺母（见图 10 — 视图 B）。

2. 卸下前法兰和扭矩盖（见图 10 — 视图 C）。
3. 将新扭矩盖（记住对照 Enerpac 扭矩扳手检查所用扭矩盖是否正确）插到法兰上，将扭矩盖对准法兰背面的凹陷（见图 10 — 视图 D）。
4. 将扭矩盖贴到法兰背面（见图 10 — 视图 C），然后将法兰插到调节螺母上，根据需要将扭矩盖重新定位，然后将螺母的翼拧紧（见图 10 — 视图 B）。法兰会将扭矩盖压到压力计上，将它固定到位。请参见扭矩扳手说明，了解产生预期扭矩需要的压力值。注：不同的扳手和附件所需最大压力不同。



小心：请参考扭矩扳手说明，了解扳手操作程序。

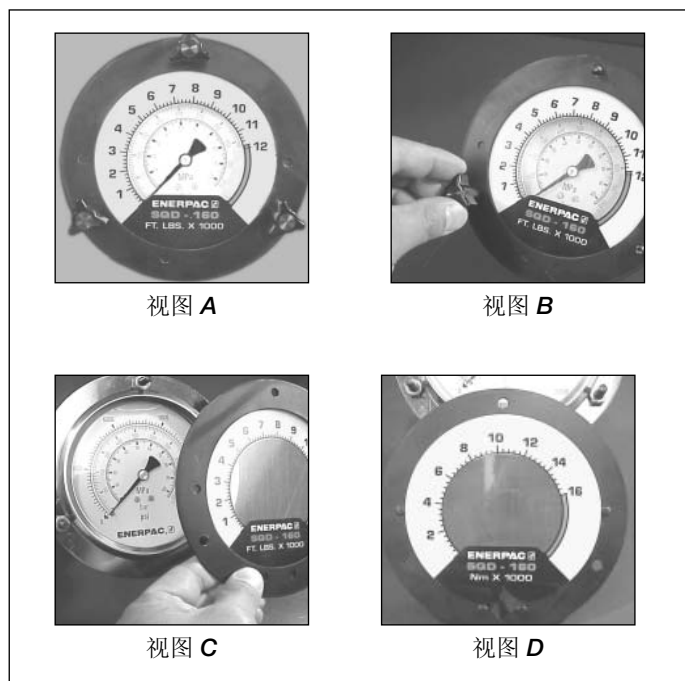


图 10 — 扭矩盖安装

5.7 压力（扭矩）设置



警告：请先执行以上调节，然后再将扭矩扳手放在螺母或螺栓头上。泵的压力设置可能高于提供能满足应用需求的扭矩所需要的压力。超过所需扭矩可能会导致设备损坏，造成严重的人身伤害。

要限制扭矩扳手的前进压力，请按以下程序所述调节泄压阀。见图 11。

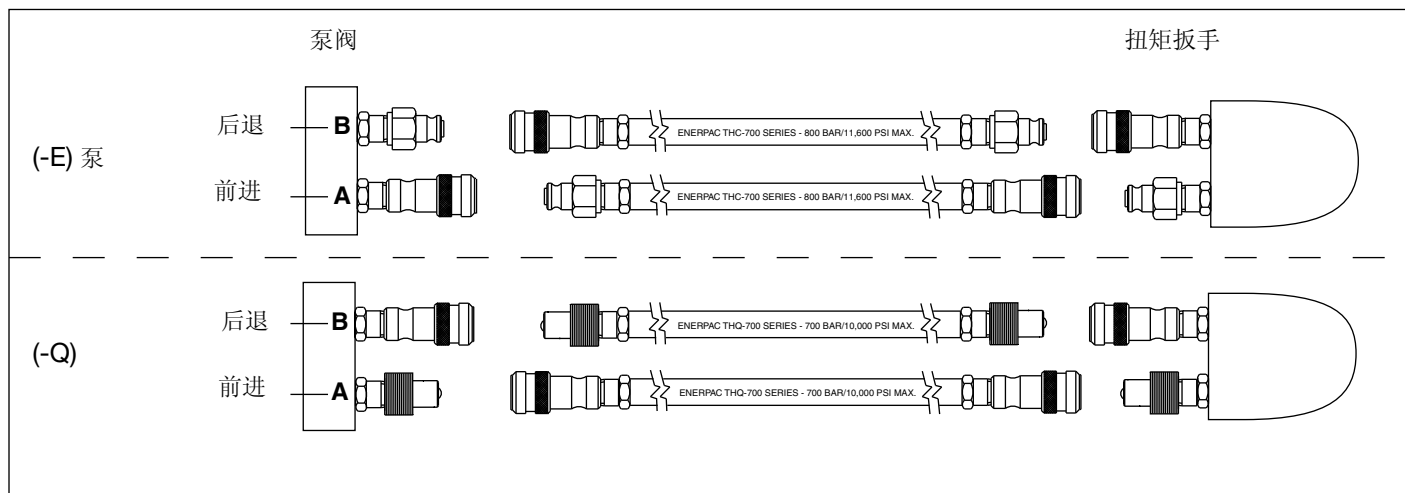


图 6 — 软管详图

1. 拧松泄压阀的锁定螺母。
2. 根据需要逆时针旋转泄压阀手柄，直到旋转时阻力很小或没有阻力为止。出现这种情况时，即表明已调整至阀的最低设置。
注：泄压阀手柄只能旋转一整圈的大约三分之二。旋转停止时，向上拉动手柄使其脱离。然后，将手柄复位并再次接合，以做进一步调整（根据需要）。
3. 将泵电源开关置于 ON（开）位置。
4. 按住悬吊开关的“ON/ADV（开/前进）”按钮。电机将会启动，开始给接口 A 前进管路打压。
5. 继续按住“ON/ADV（开/前进）”按钮，同时顺时针方向缓慢地旋转泄压阀手柄，直至压力增高到所需设置值。
注：要获得精确设置，请务必将压力降低到最终设置的某一点，然后缓慢提高压力，直至达到最终设置值为止。
6. 松开“ON/ADV（开/前进）”按钮，让系统压力恢复为 B 接口后退设置值。马达将继续运转。
7. 再次按住“ON/ADV（开/前进）”按钮，重新检查前进管路压力设置值。确认压力计读数即为所需压力。
8. 获得所需压力设置值后，拧紧泄压阀固定螺母。

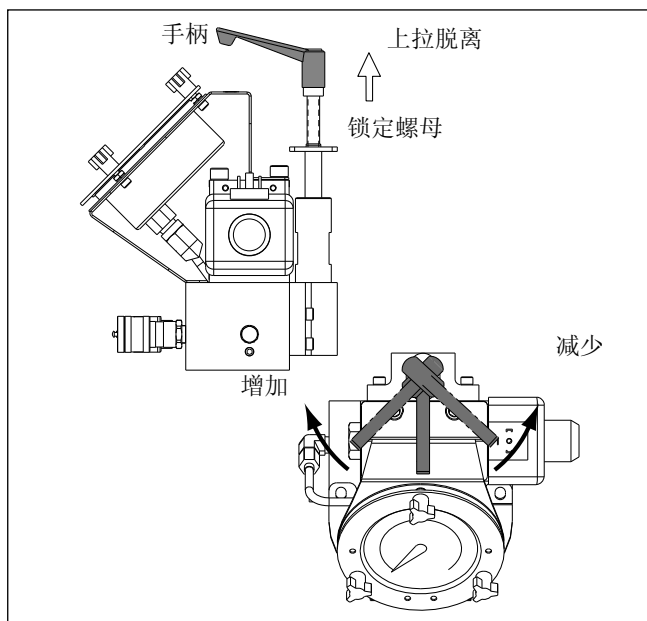


图 11, 泄压阀调节

6.0 维护

经常检查所有系统组件是否存在泄漏或损坏。维修或更换损坏的组件。诸如电源线等电气组件只能由有资格的电工维修或更换，并遵守所有适用的地方和国家法规。

6.1 检查油位

启动前检查泵的油位，必要时，卸下加油口的塞子加油。请参见图 2 和图 4。为油箱加油前，始终确保扭矩扳手已完全缩回。

6.2 换油和清洗油箱

Enerpac HF 油为清澈的蓝色。经常比较泵中的油与新鲜 Enerpac 油来检查油的污染情况。一般情况下，每隔 250 小时需要将油箱完全排空后清洗，如果是在肮脏环境中使用，清洗要更频繁一些。

注：此操作需要从油箱上卸下泵。工作时请使用干净工作台，用过的油应根据地方法规进行处理。

1. 拆下排油塞，排空油箱内所有的油。清洗并重新装上排油塞。
2. 卸下将盖板固定到油箱上的 13 个螺栓，然后将泵组从油箱中提出来。小心操作，不要损坏滤网。
3. 用适合的清洁剂彻底清洁油箱和油箱磁铁（如果配备）。
4. 卸下滤网进行清洁。（不要拉滤网或进口的底部，以免损坏滤网。）用溶剂和柔软的刷子清洁滤网。重新安装。使用一个新的油箱垫圈重新安装泵和油箱。
6. 将清洁的 Enerpac 液压油加入油箱。油位如图 4 所示时油箱满。

6.3 电机电刷更换

为了防止电机损坏，ZU4 电机电刷集成了一个电机自动停止功能，即在某一个电刷炭磨损长度达到 6 mm (0.25") 时电机自动停止。检查两个电刷。

1. 断开泵电源。



危险：为了避免触电，在尝试维修电刷前，泵必须完全断开电源。

2. 扳开电刷盖栓 (B) 并轻轻向外撬来拆下两个电刷盖 (A) (参阅图 13)。
3. 逆时针方向转动黑色盖来拆下电机电刷。
4. 更换两个电刷，然后按相反顺序重新组装。

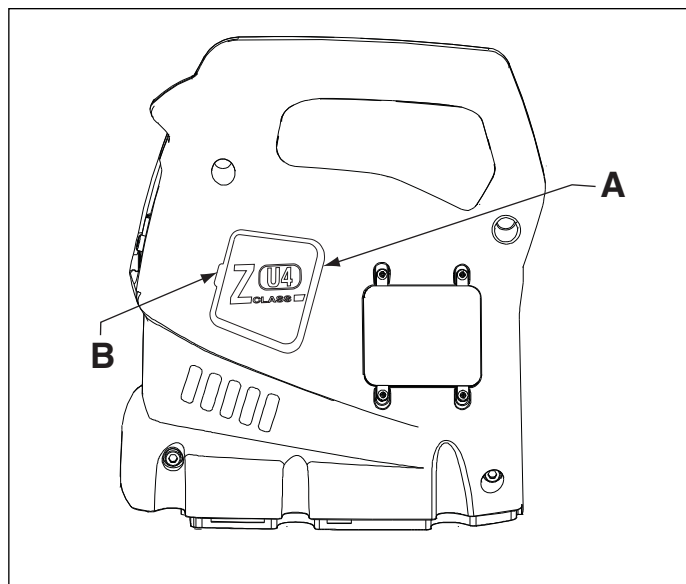


Figure 12, 电刷盖的拆卸

A. 电刷盖

B. 电刷盖栓

7.0 故障排除（参见《故障排除指南》）

只有合格的液压技术人员才能维修泵或系统组件。系统故障不一定是由泵故障导致的。要确定问题原因，诊断过程必须包括整个系统。

以下信息仅用于帮助确定是否存在问题。有关维修服务，请联系当地的授权“Enerpac 服务中心”。

故障排除指南		
问题	可能的原因	操作
按下“ON/ADV”时泵没有启动。	没电	连接电源
	泵开关处于“OFF”位置	将开关置于“ON”位置
	断路器跳闸	按下断路器按钮
	电压低	关闭其他电气负载 使用更粗的压力计延伸线
	电机电刷磨损至使用寿命终结	参阅 6.3，电机电刷更换
	悬吊开关损坏	维修悬吊开关 联系授权的服务中心
电机在承受负载后停止运转	电压低	关闭其他电气负载 使用更粗的压力计延伸线
电动阀没有正常工作	泵没有通电或电压错误	按照泵铭牌上的要求连接正确的电源
	螺线管电缆断开或损坏	连接、维修或更换电缆
	螺线管线圈未工作	联系授权的服务中心
	阀失调	联系授权的服务中心
泵无法打压或无法打上全压	油位低	按照第 4.4 节加油
	安全阀设定过低	按照第 5.7 节调节
	外部系统泄漏	检查并维修或更换
	泵内部存在泄漏	联系授权的服务中心
	阀内部存在泄漏	
	系统组件内部存在泄漏	
泵已打上全压，但是扭矩扳手不前进	全压时扭矩大于扳手的承受能力	使用承受能力更高的扭矩扳手
	到扳手的前进流受限制或受阻	按照第 4.5 节检查接头是否完全啮合
扭矩扳手不会收缩	回流线路受限或阻塞	检查接头是否完全啮合 收缩过程中运行电机
	阀故障	联系授权的服务中心
泵电机停转后压力滞留在软管中	压力未释放	按照第 5.4 节所述释放压力。
泵热行	前进或后退流受限制	按照第 4.5 节检查接头是否完全啮合
	环境温度高	安装热交换器

L2906 Rev. C 12/10

本製品の修理部品表は、エナパックのウェブサイト、www.enerpac.com、最寄りの正規エナパックサービスセンターまたはエナパック営業所で入手することができます。

1.0 納品時の重要指示

全ての部品に運送中の損傷がないか目視で確かめてください。運送中の損傷は保証されません。運送中の損傷が見つかった場合、すぐに運送業者に連絡してください。運送中に生じた損傷については、運送業者が修理費や交換費を全て負担します。

安全第一

2.0 安全事項



指示、警告、注意は必ずよくお読みください。安全注意事項に従って、システム操作中に人身事故や器物破損が起こらないようにしてください。エナパックは、不安全な製品の使用、保守の不足、製品及び/又はシステムの不正な操作から生じる損傷や怪我には責任を負いません。安全注意事項及び操作に関して疑問点があれば、エナパックまでお問い合わせください。高圧油圧の安全に関する訓練を受けたことがない場合、無料のエナパックハイドロリック安全コースについて、担当の販売店又はサービスセンターにお問い合わせください。

以下の注意及び警告に従わない場合、装置破損や人身事故の原因となる恐れがあります。

注意は、装置やその他器物の破損を防止するための、適正な操作や保守手順を示す場合に使われます。

警告は、人身事故を予防するために適正な手順や心得が必要な潜在的な危険性を示します。

危険は、重傷や死亡事故の原因となる恐れがある禁止行為又は必須行為を示します。



警告: 油圧機器を取り扱う際は、適切な保護用具を装着してください。



警告: 油圧によって支える荷物はきれいにしておいてください。シリンダを荷揚げのために利用する場合、絶対に荷重保持には使用しないでください。荷物を揚げ降ろした後は、必ず機械的なブロック(固定)を施してください。



警告: 荷物の保持には、必ず頑丈なものを使用してください。荷物を支持可能なスチール製又は木製のブロックを慎重に選んでください。どのような荷揚げ又はプレスであっても、油圧シリンダを絶対にシム又はスペーサーとして使用しないでください。



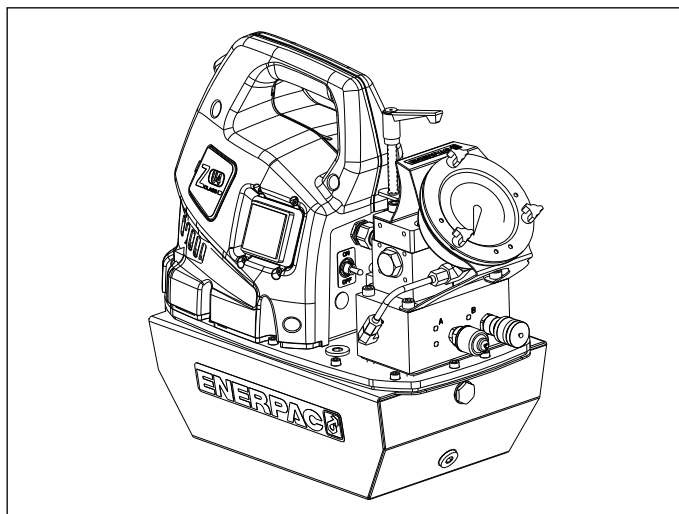
危険: 操作中は、人身事故を防止するため、シリンダや作業物から手足を離してください。



警告: システムの使用圧力は、システム内の最低定格部品の圧力定格を超えないようにしてください。圧力計をシステムに取り付けて、使用圧力をモニターしてください。システムの監視は、各自が行ってください。



注意: 油圧ホースを損傷させないでください。油圧ホースは、敷設時に折り曲げたりねじったりしないでください。折れ曲がったりねじれたホースを使用すると、大きな逆圧が発生します。ホースを折れ曲がったりねじれたままにしておくと、ホースの内部が損傷して、早期故障を引き起こします。



ホースの上に**重いものを落とさない**でください。強い衝撃によって、ホース内部のワイヤストランドが損傷する恐れがあります。損傷しているホースに圧力をかけると、破裂する恐れがあります。



重要: 油圧装置は、ホースやスイベルカブラを使って持ち上げないでください。安全に移動させるために、キャリングハンドルやその他の手段を用いてください。



注意: 油圧装置は、火気や熱源から離してください。過熱によって、パッキンやシールが柔らかくなり、液漏れが生じます。また、熱によって、ホース材やパッキンが劣化します。最適性能を保つには、装置を65°C (150°F)以上の温度にさらさないでください。ホースやシリンダに対する溶接スバッタは避けてください。



危険: 加圧されているホースには、**触れない**でください。加圧状態のオイルが漏れて皮膚に浸透すると、重大な人身事故の原因となります。オイルが皮膚下にしみ込んだ場合、すぐに医師の診断を受けてください。



警告: 油圧シリンダは、必ず連結システムで使用してください。カブラを接続していないシリンダは使用しないでください。シリンダは、極度な過荷重を受けると部品が破壊されて重大な人身事故の原因となります。



重要: 資格を持った油圧技術者以外は、ポンプあるいはシステム構成品の点検修理を行わないでください。点検修理についてはお近くの正規エナパックサービスセンターにご連絡ください。保証を受けるためには、必ずエナパックオイルを使用してください。



警告: 摩耗したり損傷した部品は、直ちにエナパックの純正部品と交換してください。市販の標準部品は、破損して人身事故や器物破損の原因となる場合があります。エナパック製の部品は、高荷重に適合および耐えるように設計製造されています。



警告: 電動ポンプを爆発性気体の中で使用しないでください。地域および国の電気規則に従ってください。資格を持った電気技術者が設置および調整を行う必要があります。



警告:動いている部品や圧力のかかったホースに触れないようにしてください。



警告:これらのポンプには弊社工場で調整済みの安全弁がついています。この弁は、認定を受けたエナパックサービスセンター以外で修理または調整を行ってはなりません。



注意:ポンプの電動モーターの損傷を避けるために、仕様を確認してください。誤った電源を使用するとモーターが損傷することがあります。

3.0 仕様

3.1 性能表 (ページの一を下を参照)

3.2 F流量図 (図1参照)

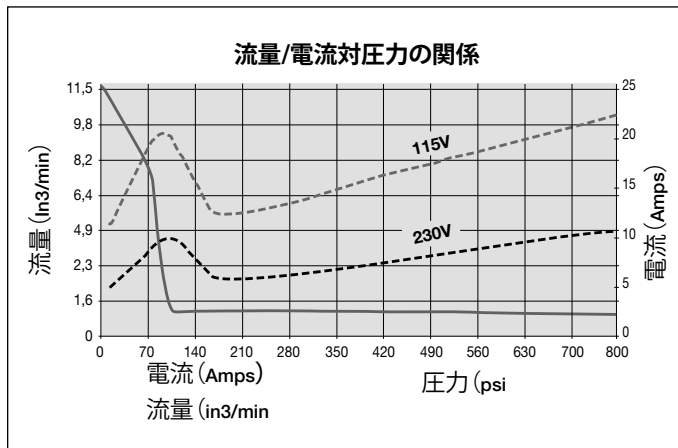


図1 流量図

4.0 設置

ポンプの配置または設置は、モーターとポンプ周辺の空気の流れを妨げないように行ってください。運転中に最大限の冷却を確保できるように、モーターは清潔な状態に保ってください。

4.1 ブリーザキャップとオイル充填プラグ(図2&3参照)

運送時には、タンク上面のブリーザポートに運送用プラグ(A)が取り付けられます。使用前に、運送用プラグ(A)をブリーザキャップ(B)およびアダプタ継手(C)と交換します。注:オイル充填ポートは、ポンプの反対側にあります。オイル充填ポート(D)には、SAE #10プラグを使用します。

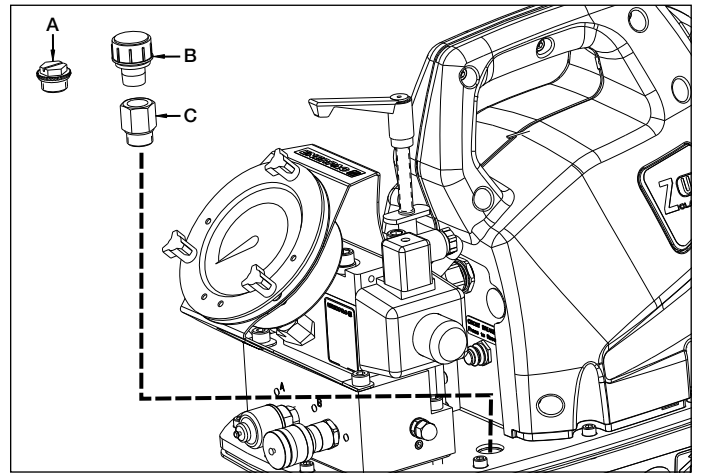


図2、ブリーザの取り付け

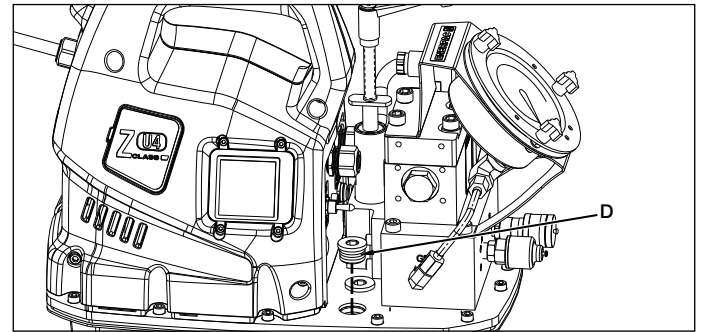


図3、オイル充填プラグ

4.2 ポンプの取り付け(図4参照)

ポンプの固定面への取り付け寸法は、図3を参照してください。

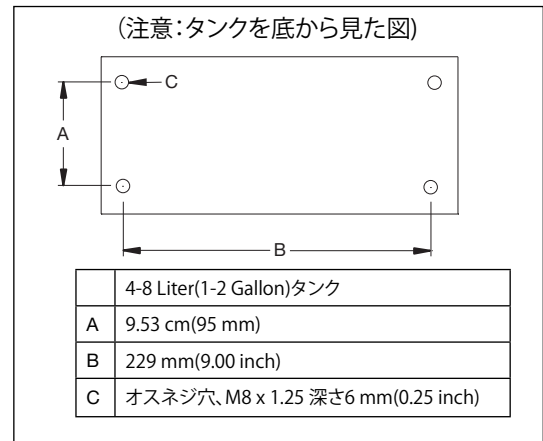


図4 取り付け寸法

▼ ZU4 性能表

モーター サイズ (hp)	出力流量 m ³ [in ³]/min				モーターの電気 仕様 (ボルト-相-Hz)	騒音レ ベル (dBA)	安全弁 調整範囲 bar (psi)
	7 bar (100 psi)	50 bar (700 psi)	350 bar (5,000 psi)	700 bar (10,000 psi)			
1.7*	700	535	76	60	115-1-50/60 230-1-50/60	85-90	1,400-10,000 for "Q" version 1,400-11,600 for "E" version

*実際の消費電力は、用途によって異なります。図1を参照してください。

4.3 電気接続

このポンプには、所定の電圧で動作する一般的な電気プラグが工場出荷時に取り付けられています。プラグの交換は、必ず資格を持った技術者が地域および国の規則に従って行ってください。

1. 絶縁および配線回路の保護はお客様が行ってください。ライン回路保護機能は、最大使用圧力におけるモーターの最大電流の115%に設定しなければなりません(図1参照)。
2. 詳細については、ポンプのネームプレートの定格電力を参照してください。

4.4 オイルレベル

始動前にポンプのオイルレベルを確認し、必要に応じてカバープレートからSAE #10プラグを外してオイルを補給します(図3参照)。オイルレベルが図5の状態に達したら、タンクは満杯の状態です。

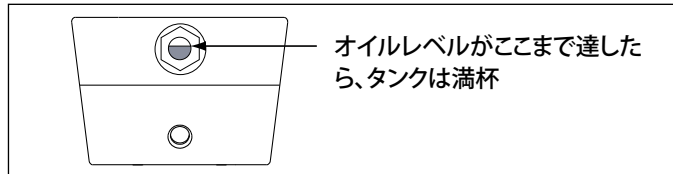


図5 サイトガラス (覗き窓)

重要:すべてのシステム部品を完全な後退位置にしてからオイルを補給します。これに従わないと、オイルタンクの容量を超えるオイルがシステムに入ってしまいます。

4.5 油圧ホースの接続

図6に示すようにホースを接続します。

1. (-E)型ポンプは、Enerpac SQDおよびHXDトルクレンチ用です。「Enerpac THC-700 Series - 800 Bar/11,600 psi max.」と表示されたホースを必ず使用してください。これらのホースのカブラは、レンチを適切に作動できるように、工場で分割されています。
 - A. ホースとレンチのメス形カブラねじ付きカブラロックリングを手で締めます。工具は必要ありません。
 - B. (-E)型ポンプのメス形カブラは自動ロック式です。ロックリングが前にカチッと合はまるまで、接続先のカブラに押し込んでください。接続を外すには、カブラのロックリングを左に回し、外す方向に押します。
2. (-Q)型ポンプは、Enerpac Sタイプ、Wタイプおよびその他のトルクレンチ用です。「Enerpac THQ-700 series - 700 bar/10,000 psi max.」と表示されたホースを必ず使用してください。レンチを適切に作動させるため、カブラは図5に示すように分割および配置してください。使用する前に、カブラが完全に接続され、締められていることを確認してください。カブラの接続が不十分な場合、レンチが正しく作動しません。



警告:マルチレンチマニホールド付き(-Q)型ポンプを使用する際は、ポンプを始動する前に、使用しないすべてのカブラに保護キャップを完全に取り付けてください。

注意:レンチを初めてポンプに接続するとき、油圧サーキット内に空気が閉じこめられている可能性があります。ポンプの下にレンチと真っ直ぐのホースを配置してエアを抜きます。レンチが力を加えなくても無理なく回転するまで操作します。

5.0 操作

5.1 ポンプ電源スイッチ (図7参照)

電源スイッチの位置:

1. オン - ペンダントによるポンプ制御。ペンダントの「ON/ADV」ボタンを押し下げると、ポンプが始動します。
2. オフ - ペンダント無効。ペンダントの「ON/ADV」ボタンを押し下げても、ポンプは始動しません。

回路遮断器: 回路遮断器が作動 (遮断) した場合、ボタンを押しリセットします。

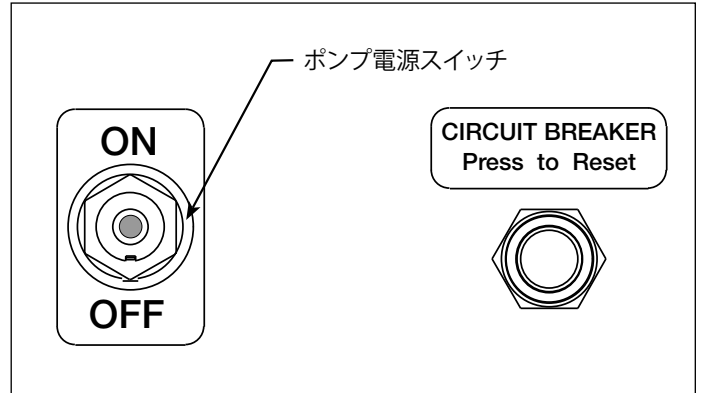


図7 ポンプ制御パネル

5.2 ペンダントの操作 (図8参照)

1. ペンダントの「ON/ADV」ボタン:
 - ボタンを押し下げた状態 - モーターの電源が入ります。ボタンを押し下げている間、レンチが前進します。
 - ボタンを離れた状態 - レンチが後退します。モーターは20秒間動作し続けます。
2. ペンダントの「OFF/DUMP」ボタン:
 - ボタンを押し下げた状態 - モーターの電源が直ぐに切れません。

注意:ポンプ動作中にポンプの電源スイッチをオフにすると、モーターが即座に停止します。

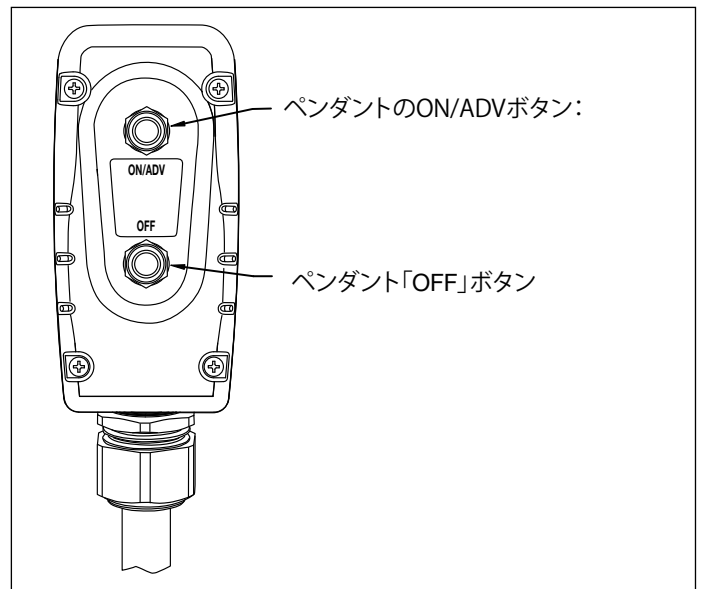


図8 ペンダントのボタン

5.3 ポンプの操作

重要可能であれば、トルクレンチとポンプは、各1名のオペレーターが操作してください。これにより、オペレーターがレンチの位置を合わせているときに、ポンプが誤って始動する事故を防止できます。

1. システム内のすべての継手と接続を点検して、確実に締め漏れがないことを確認します。
2. タンクのオイルレベルを確認して、必要に応じてオイルを補給します。(セクション4.4参照)
3. 輸送用プラグが取り外され、ブリーザキャップが取り付けられていることを確認します。(セクション4.1参照)
4. 装置を電源に接続します。ポンプの電源スイッチをオンの位置に切り替えます。図7を参照してください。

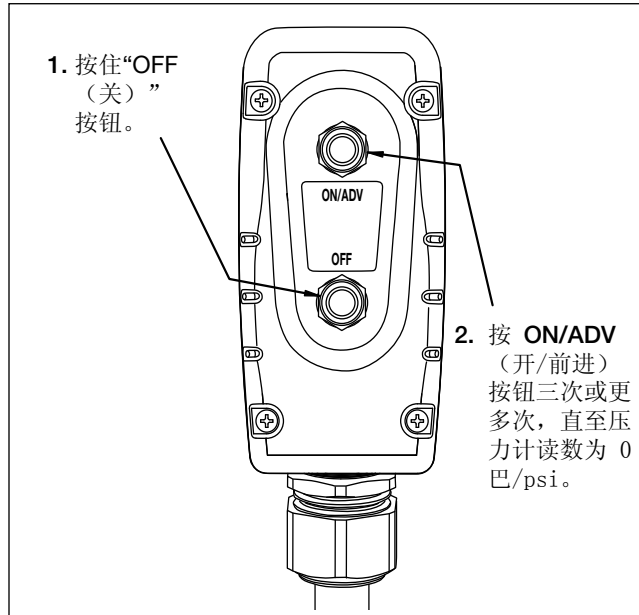


図9. 除圧



警告: 以下の手順に従って、ポンプのモーターを始動させ、弁を自動的に切り換え、トルクレンチを後退させることができます。モーターを始動する前に、人身傷害や装置破損を防止するため、トルクレンチの位置を確認してください。

5. ポンプを始動するには、ペンダントの「ON/ADV」ボタンを押します。図8を参照してください。モーターが自動的に始動して、レンチが前進を開始します。ボタンを押し下げている間、レンチは前進し続けます。
6. レンチを後退させるには、「ON/ADV」ボタンから手を離します。

ボタンを解除した後、圧力計には後回路の圧力(約173-193 bar[2500 – 2800 psi])が表示されます(Bポートバイパス)。

7. 「OFF/DUMP」ボタンを押すと、モーターが停止します。

注意: 「ON/ADV」ボタンを20秒間押さないまましていると、ポンプの内蔵タイマーがモーターを自動的に停止します。

5.4 除圧

レンチとホースの油圧を除去するには:

- 「OFF」ボタンを押し下げます。図9を参照してください。
- 「OFF」ボタンを押し下げたまま、圧力計の読取値が0bar/psiになるまで、「ON/ADV」ボタンを押して離す操作を3回以上繰り返します。これでホースを外すことができます。

5.5 圧力計とオーバーレイの使用手順

ポンプには、圧力計が付属されています。また、トルク値表示オーバーレイも各ポンプに付属しています。トルクオーバーレイを圧力計の目盛面にかぶせるだけで、圧力読み取りとトルク読み取りを簡単に切り替えることができます(図10のA参照)。オーバーレイの一方の面はヤードポンド単位(Ft.-lbs)、片方の面はメートル単位(Nm)を表示するようになっています。オーバーレイカバーを裏返して、目盛の単位を変更できます。



警告: 各オーバーレイは、Enerpacのトルクレンチ専用サイズです。他のレンチには使用しないでください。

5.6 オーバーレイの切り替え

1. 圧力計の正面フランジを所定の位置に保持している3つの黒いウィングノブを外します(図10のB参照)。
2. 正面フランジとオーバーレイを取り外します(図10のC参照)。
3. 新しいオーバーレイをフランジにかぶせます(ご使用のEnerpacトルクレンチに適したオーバーレイが必ず確認してください)。オーバーレイをフランジの裏にあるくぼみに合わせます(図10のD参照)。
4. オーバーレイとフランジを重ねて持ちながら(図10のC参照)、フランジをノブスタッドに入れます。必要に応じて、オーバーレイの位置を調整して、ノブを指で締めます(図10のB参照)。フランジとオーバーレイが圧力計に押し付けられ、定位置に固定されます。トルク設定に必要な圧力値については、トルクレンチの説明書を参照してください。最大圧力値はレンチやアクセサリの種類によって異なりますので、ご注意ください。



レンチの使用手順は、トルクレンチの説明書を参照してください。

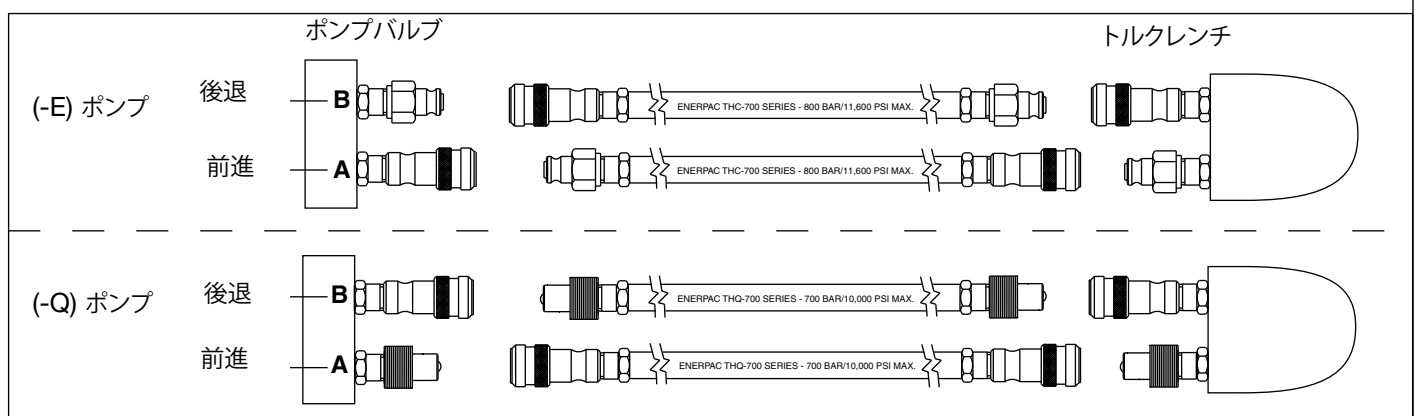


図6 ホースの詳細

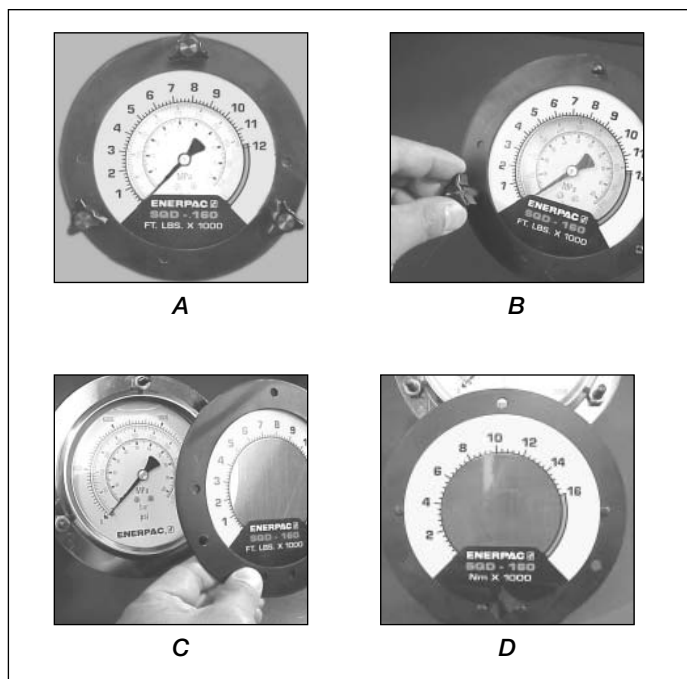


図10 オーバーレイの取り付け

5.7 圧力(トルク)設定



警告:この調整は、トルクレンチをナットやボルトのヘッド部に対して使用する前に行ってください。ポンプの圧力は、実際に必要な値以上のトルクに設定されている場合があります。必要なトルクを超えると、装置破損や重大な人身傷害の原因となります。

トルクレンチに対する前進圧力を制限するため、以下の手順の説明に従ってリリース弁を調整します。図11を参照してください。

1. リリース弁を固定しているナットを緩めます。
2. 回すときに抵抗が少なくなるかなくなるまで、必要に応じてリリース弁のハンドルを時計方向に回します。これにより、弁が最低の値に設定されます。
注:リリース弁のハンドルを完全に回し切らずに、約2/3だけ回します。回し終えたら、ハンドルを引き上げて解放します。次に、ハンドルを再位置合わせし、ハンドルをもう一度解放して再調整します(必要に応じて)。
3. ポンプの電源スイッチをオンの位置に切り替えます。
4. 「ON/ADV」ペダントボタンを押し下げます。モーターが始動してAポートの前進回路の加圧が開始されます。
5. 「ON/ADV」ボタンを押し下げたまま、リリース弁のハンドルを時計方向にゆっくり回して、目的の設定まで加圧します。
注:正確に設定を行うには、圧力の値を最終的な設定圧力よりも低くしてから、最終的な設定圧力までゆっくり上げます。
6. 「ON/ADV」ボタンを離します。これにより、システムの圧力がBポートの後退設定に戻ります。モーターは運転し続けます。
7. 「ON/ADV」ボタンをもう一度押し下げ、前進回路の圧力設定を再点検します。圧力計に目的の圧力が示されていることを確認します。
8. 目的の圧力設定が得られた後、リリース弁の固定ナットを締め付けます。

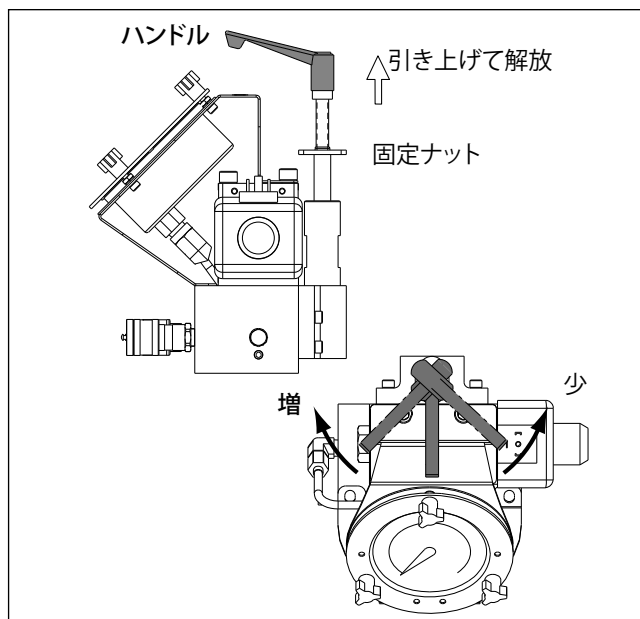


図11 リリース弁の調整

6.0 メンテナンス

システムのすべての部品を頻繁に点検して、漏れや損傷が発生していないか確認してください。損傷した部品は修理または交換してください。電源コードなど電装品の修理や交換は、必ず資格を持つ電気技術者が地域および国の規則に従って行ってください。

6.1 オイルレベルの確認

始動前にポンプのオイルレベルを確認し、必要に応じてポートプラグを外してオイルを補給します。図3および図5を参照してください。オイルをタンクに補給する前に、トルクレンチが完全に後退していることを必ず確認してください。

6.2 オイルの交換とオイルタンクの洗浄

Enerpac HFオイルは、鮮やかな青色をしています。ポンプのオイルと新品のEnerpacオイルの状態を比較することにより、オイルの汚染状態を頻繁に確認します。一般的に、250時間毎、または汚れた環境で使用している場合はこれより短い期間で、オイルタンクからオイルを完全に抜いて洗浄します。

注意:この手順を行うには、ポンプをオイルタンクから取り外す必要があります。汚れていない作業台で洗浄を行い、使用済みのオイルは地域の規則に従って処分します。

1. タンクからドレンプラグを取り外し、オイルをすべて抜き取ります。ドレンプラグを清掃して再び取り付けます。
2. オイルタンクのカバープレートを固定している13本のボルトを外して、ポンプユニットをオイルタンクから取り外します。フィルタスクリーンを損傷しないように注意します。
3. オイルタンクとオイルタンクのマグネット(取り付けられている場合)を適切な洗浄剤で完全に洗浄します。
4. ピックアップフィルタスクリーンを取り外して洗浄します。(損傷を避けるために、スクリーンや吸入口の底を引っ張らないでください)スクリーンを溶剤と柔らかいブラシを使って洗浄します。元に戻します。
5. ポンプとオイルタンクを組み立て直し、新しいオイルタンクガスケットを取り付けます。
6. オイルタンクに新しいEnerpac油圧油を注入します。タンクは、オイルレベルが図5の状態に達したら一杯です。

6.3 モーターブラシの交換

モーターの損傷を避けるために、ブラシのカーボンが[6 mm](0.25インチ)まで摩耗したときは、ZU4モーターブラシが自動的にモーターを停止させます。両方のブラシを検査します。

1. ポンプから電源を切断します。



危険: 感電事故を防止するため、ブラシの保守を始める前にポンプを電源から完全に切断しなければなりません。

2. ブラシキャップラッチ(B)を傾けてゆっくりと外側にはずし、両方のブラシキャップ(A)を外します(図12参照)。
3. 黒色のキャップを反時計回りに回してモーターブラシを取り外します。
4. 両側のブラシを交換し、逆の手順で取り付けます。

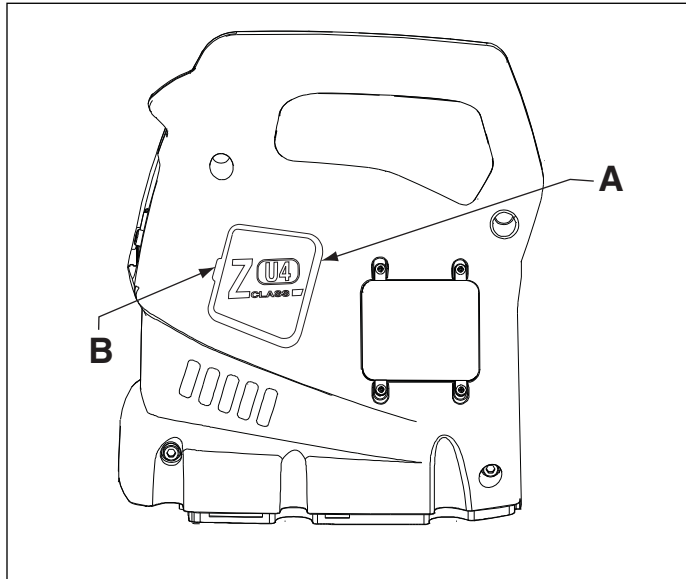


図12 ブラシキャップの取り外し

A. ブラシキャップ

B. ブラシキャップラッチ

7.0 トラブルシューティング(トラブルシューティングガイドを参照)

資格を持った油圧技術者だけが、ポンプまたはシステム部品の整備を行ってください。システムの障害は、ポンプの不調が原因の場合とそれ以外の原因による場合があります。問題の原因を特定するには、あらゆる点検手順でシステム全体を点検する必要があります。

以下の情報は、問題がある場合に、原因の特定を補助する目的でのみ使用してください。点検修理についてはお近くの正規Enerpacサービスセンターにご連絡ください。

トラブルシューティングガイド

トラブル	考えられる原因	対策
「ON/ADV」ボタンを押し下げてもポンプが始動しない。	電源が供給されていない	電源を接続してください
	ポンプの電源スイッチが「オフ」の位置になっている	スイッチを[オン]の位置に切り替えてください
	回路遮断器が作動している	回路遮断器のボタンを押してください
	電圧が低い	その他の電気装置の電源を切ってください より負荷の高い圧力計延長コードを使用してください
	モーターブラシが摩耗して寿命に達している	セクション6.3「モーターブラシの交換」を参照してください
	ペンダントの損傷	ペンダントを修理してください 正規サービスセンターにお問い合わせください
負荷がかかるとモーターが停止する	電圧が低い	その他の電気装置の電源を切ってください より負荷の高い圧力計延長コードを使用してください
電動弁が作動しない	ポンプに電源が供給されていない、または電圧が誤っている	ポンプのネームプレートに記載されている正しい電源に接続してください
	ソレノイドケーブルが接続されていないか損傷している	ケーブルを接続、修理または交換してください
	ソレノイドコイルが作動していない	正規サービスセンターにお問い合わせください
	バルブの調整が誤っている	正規サービスセンターにお問い合わせください
ポンプの圧力が生じないまたは最高圧力に達しない	オイルのレベルが低い	セクション4.4を参照してオイルを補給してください
	安全弁の設定が低過ぎる	セクション5.7を参照して調節してください
	外部システムで漏れが発生している	点検して修理または交換してください
	ポンプ内部で漏れが発生している	正規サービスセンターにお問い合わせください
	弁内部で漏れが発生している	
	システム部品内で漏れが発生している	
ポンプの最高圧力は生じるが、トルクレンチが前進しない	最高圧力でのレンチの容量をトルクが上回っている	もっと容量が大きいトルクレンチを使用してください
	レンチへの前方向の流れが制限またはブロックされている	セクション4.5を参照して、カブラが完全に接続されているか確認してください
トルクレンチが後退しない	流れの後退ラインが制限またはブロックされている	カブラが完全に接続されているか確認してください 後退時にモーターを作動してください
	弁の動作不良	正規サービスセンターにお問い合わせください
ポンプモーター停止後、圧力がホースに閉じ込められる	除圧されていません	セクション5.4に従って、除圧してください。
ポンプが熱くなる	前進または後退の流れが制限されている	セクション4.5を参照して、カブラが完全に接続されているか確認してください
	周囲温度が高い	熱交換器を取り付けてください

Enerpac Worldwide Locations

◆ e-mail: info@enerpac.com

◆ internet: www.enerpac.com

Africa

ENERPAC Middle East FZE
Office 423, JAFZA 15
P.O. Box 18004
Jebel Ali, Dubai
United Arab Emirates
Tel: +971 (0)4 8872686
Fax: +971 (0)4 8872687

Australia, New Zealand Actuant Australia Ltd.

Block V Unit 3
Regents Park Estate
391 Park Road
Regents Park NSW 2143
(P.O. Box 261) Australia
Tel: +61 297 438 988
Fax: +61 297 438 648

Brazil

Power Packer do Brasil Ltda.
Rua dos Inocentes, 587
04764-050 - Sao Paulo (SP)
Tel: +55 11 5687 2211
Fax: +55 11 5686 5583
Toll Free in Brazil:
Tel: 0800 891 5770
vendasbrasil@enerpac.com

Canada

Actuant Canada Corporation
6615 Ordan Drive, Unit 14-15
Mississauga, Ontario L5T 1X2
Tel: +1 905 564 5749
Fax: +1 905 564 0305
Toll Free:
Tel: +1 800 268 4987
Fax: +1 800 461 2456
Technical Inquiries:
techservices@enerpac.com

China

Actuant Industries Co. Ltd.
No. 6 Nanjing Road
Taicang Economic Dep Zone
Jiangsu, China
Tel: +86 0512 5328 7529
+86 0512 5328 7500 7529
Fax: +86 0512 5335 9690

Actuant China Ltd. (Peking)

709B Diyang Building
Xin No. 2
Dong San Huan North Rd.
Beijing City
100028 China
Tel: +86 10 845 36166
Fax: +86 10 845 36220

France, Switzerland francophone

ACTUANT - ENERPAC
France S.A., ZA de Courtaboeuf
32, avenue de la Baltique
91140 Villebon / Yvette
France
Tel: +33 1 60 13 68 68
Fax: +33 1 69 20 37 50

Germany, Austria, Switzerland, Greece, Baltic States, Central and Eastern Europe

ENERPAC GmbH
P.O. Box 300113
D-40401 Düsseldorf
Willstätterstrasse 13
D-40549 Düsseldorf
Germany
Tel: +49 211 471 490
Fax: +49 211 471 49 28

India

ENERPAC Hydraulics
(India) Pvt. Ltd.
No. 1A,
Peenya Industrial Area,
IInd Phase
Bangalore, 560 058 India
Tel: +91 80 40 792 777
Fax: +91 80 40 792 792

Italy

ENERPAC S.p.A.
Via Canova 4
20094 Corsico (Milano)
Tel: +39 02 4861 111
Fax: +39 02 4860 1288

Japan

Applied Power Japan LTD KK
Besshochou 85-7
Kita-ku,
Saitama-shi 331-0821
Japan
Tel: +81 48 662 4911
Fax: +81 48 662 4955

Middle East, Turkey and Caspian Sea

ENERPAC Middle East FZE
Office 423, JAFZA 15
P.O. Box 18004
Jebel Ali, Dubai
United Arab Emirates
Tel: +971 (0)4 8872686
Fax: +971 (0)4 8872687

Russia and CIS (excl. Caspian Sea Countries)

Actuant LLC
Admiral Makarov Street 8
125212 Moscow, Russia
Tel: +7-495-9809091
Fax: +7-495-9809092

Sweden, Denmark, Norway, Finland and Iceland

ENERPAC Scandinavia AB
Fabriksgatan 7
412 50 Gothenburg
Sweden
Tel: +46 31 7990281
Fax: +46 31 7990010
scandinavianinquiries@enerpac.com

Singapore

Actuant Asia Pte. Ltd.
83 Joo Koon Circle
Singapore 629109
Tel: +65 68 63 0611
Fax: +65 64 84 5669
Toll Free: +1800 363 7722
Technical Inquiries:
tech.service-sg@enerpac.com

South Korea

Actuant Korea Ltd.
3Ba 717,
Shihwa Industrial Complex
Jungwang-Dong, Shihung-Shi,
Kyunggi-Do
Republic of Korea 429-450
Tel: +82 31 434 4506
Fax: +82 31 434 4507

Spain and Portugal

ENERPAC SPAIN, S.L.
Avda. Los Frailes, 40 - Nave C
& D
Pol. Ind. Los Frailes
28814 DAGANZO DE ARRIBA
(Madrid)
Spain
Tel: +34 91 884 86 06
Fax: +34 91 884 86 11

The Netherlands, Belgium, Luxembourg

ENERPAC B.V.
Galvanistraat 115, 6716 AE Ede
P.O. Box 8097, 6710 AB Ede
The Netherlands
Tel: +31 318 535 800
Fax: +31 318 525 613
+31 318 535 848
beneluxinquiries@enerpac.com
Technical Inquiries Europe:
techsupport.europe@enerpac.com

United Kingdom, Ireland Enerpac Ltd

Bentley Road South
Darlaston, West Midlands
WS10 8LQ, United Kingdom
Tel: +44 (0)121 50 50 787
Fax: +44 (0)121 50 50 799

USA, Latin America and Caribbean

ENERPAC
P.O. Box 3241
6100 N. Baker Road
Milwaukee, WI 53209 USA
Tel: +1 262 781 6600
Fax: +1 262 783 9562

User inquiries: +1 800 433 2766
Inquiries/orders: +1 800 558 0530
Technical Inquiries:
techservices@enerpac.com

ENERPAC

704 W. Simonds
Dallas, TX 75159 USA
Tel: +1 972 287 2390
Fax: +1 972 287 4469

12/08/10

All Enerpac products are guaranteed against defects in workmanship and materials for as long as you own them. For your nearest authorized Enerpac Service Center, visit us at www.enerpac.com.