

### ZU4 Classic Bolting Pump Single-Solenoid Control Valve Upgrade

L2915 Rev. B 08/22

#### INTRODUCTION

This document applies to all Enerpac ZU4 Classic Bolting Pumps equipped with dual-solenoid valves. It includes instructions for performing the following product upgrade procedures:

- Replacement of the existing VE Series dual-solenoid control valve with the new single-solenoid VE Series control valve.
- Replacement of the existing front and middle brackets with new brackets that are electrically compatible with the single-solenoid control valve.

#### ELECTRICAL SERVICE KITS AND VALVES

To upgrade an existing pump to use the new single-solenoid control valve, a new electrical service kit must first be installed. Refer to Table 1 for service kit model numbers and descriptions.

Pump Voltage	Service Kit Model Number	Description
115V	ZTERK-115	ZTW 115V Electrical Service Kit
230V NORTH AMERICA	ZTERK-230	ZTW 230V Electrical Service Kit
230V CE EUROPE AND ASIA	(Contact Enerpac)	

Each electrical service kit includes a new front electrical bracket, middle electrical bracket and pendant. The pump's existing rear electrical bracket is reused.

New single-solenoid control valves are available in various voltages and configurations as described in Table 2.

Pump Voltage	Valve Model	Description
115V	VE42Q-115	115V 10,000 PSI [700 bar]
	VE42QM-115	115V 10,000 PSI [700 bar] - Multiport
	VE42E-115	115V 11,600 PSI [800 bar]
	VE42EM-115	115V 11,600 PSI [800 bar] - Multiport
230V	VE42Q-230	230V 10,000 PSI [700 bar]
	VE42QM-230	230V 10,000 PSI [700 bar] - Multiport
	VE42E-230	230V 11,600 PSI [800 bar]
	VE42EM-230	230V 11,600 PSI [800 bar] - Multiport

Note: Control valves and electrical service kits must be ordered separately.

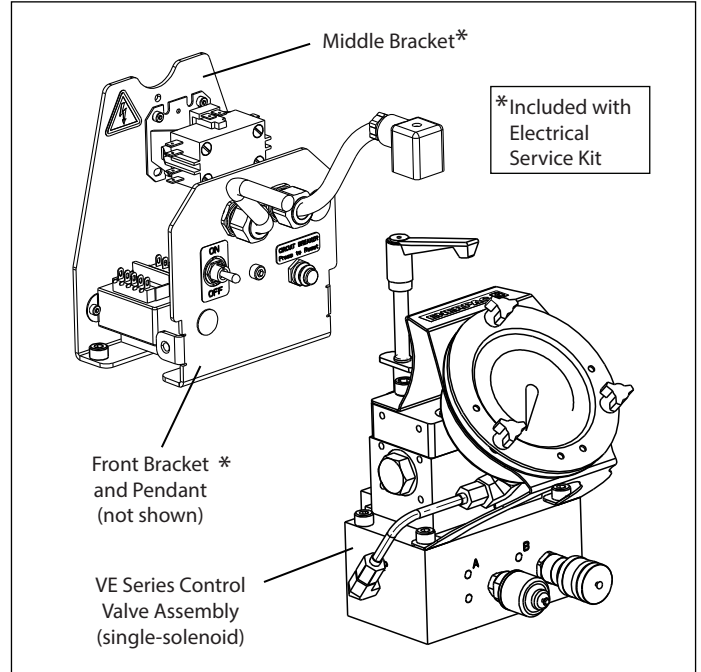


Figure 1, New Components (typical)

#### 230 VOLT CE MODELS - IMPORTANT NOTE

Consult your local Authorized Enerpac Service Center before beginning electrical upgrade procedures on 230V pumps with CE style electrical components. Power cord wire colors and various other wiring details are different for 230V CE models.

A complete wiring diagram covering all pump wiring configurations and voltages - including 230V CE models - is shown in Figure 14 of this document.

#### BEFORE YOU BEGIN



**WARNING:** Disconnect power from pump before beginning the following procedure. Be sure hydraulic pressure is zero (0) psi/bar.



**CAUTION:** Standard safety procedures are to be followed during disassembly and reassembly to minimize any possibility of injury.



**CAUTION:** Allow only trained and qualified personnel to perform the electrical wiring procedures described in this document.

**IMPORTANT:** Some components on the new front and middle brackets are pre-wired at the factory, prior to shipment. Be careful not to disturb wiring when unpacking the shipment or during installation procedures.

Note: The graphics contained in this document are provided for reference and instructional purposes only. Various pump features and/or configurations may be different than shown for your pump. Optional features may be shown that are not present on your pump.

## REMOVAL OF OLD COMPONENTS

1. Disconnect pump power cord from electrical outlet. Be sure pressure gauge indicates zero (0) psi/bar.
2. Loosen solenoid plug retaining screws. Unplug solenoid plugs from old control valve.
3. Remove capscrews and old control valve. Remove and discard old valve gasket. See Figure 3.
4. Loosen capscrews and remove pump shroud halves. See Figure 2. Save capscrews for use during reinstallation.
5. Loosen screw at contactor terminal L5. Disconnect white (neutral) power cord wire from contactor.
6. Disconnect black (hot) power cord wire from top pin (pin 1) of circuit breaker.
7. Disconnect two black motor wires from terminals T2 and T4 of contactor.
8. At top of motor, disconnect green (ground) power cord wire. Also disconnect two yellow and green striped solenoid ground wires.
9. Loosen capscrews and remove the existing front and middle brackets from the pump cover plate.

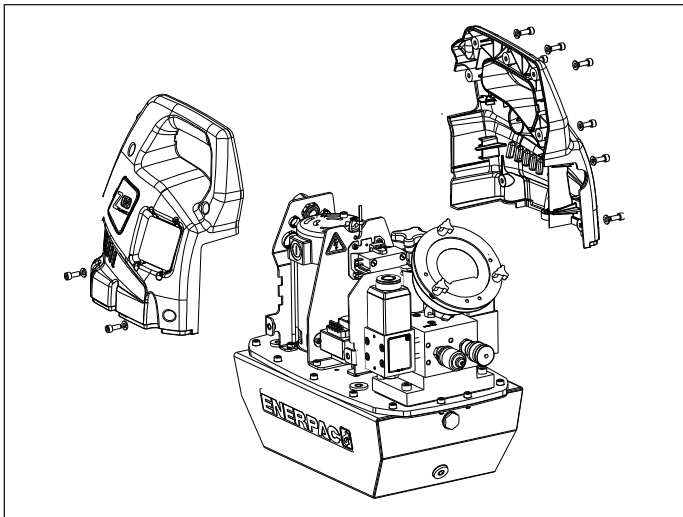


Figure 2, Removing the Shroud Halves

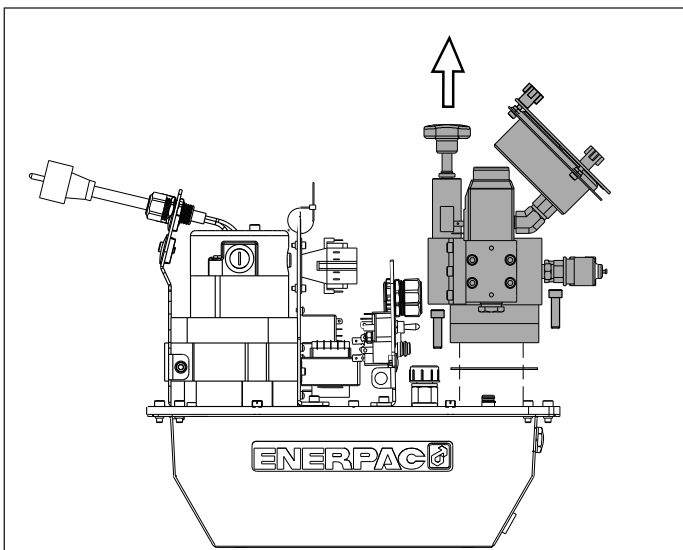


Figure 3, Removing Old Valve

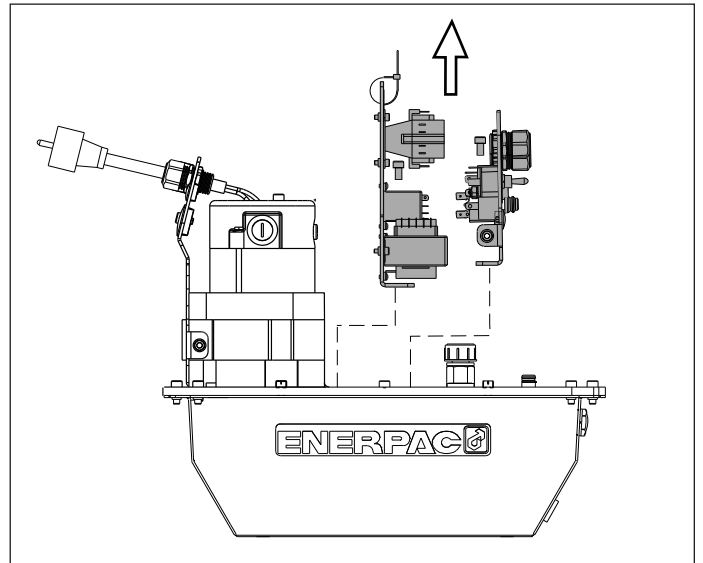


Figure 4, Removing Old Front and Middle Brackets

### Notes:

- Save the old bracket capscrews for later use. They will be used to re-secure the new front and middle brackets.
- a new pendant is supplied with the new front bracket. The old pendant can be discarded.
- Discard the old valve gasket and capscrews. A new gasket and capscrews are included with the new valve.

## INSTALLATION AND WIRING OF NEW FRONT AND MIDDLE BRACKET ASSEMBLIES

1. Secure the new front and middle brackets to the pump cover plate, using the capscrews from the old brackets. Apply Loctite 545 sealant to capscrew threads before installation. Torque capscrews to 84-108 in-lbs [9.5-12.2 Nm]. See Figure 5.



**WARNING:** Be certain that power cord is disconnected before making electrical connections in the following steps.

**IMPORTANT:** Wire colors and other wiring details are different for 230V models sold in the European Union, parts of Asia and various other regions outside of North America. Refer to the wiring diagram in Figure 14 of this document for CE style wiring details. Consult your local Authorized Enerpac Service Center if assistance is required.

2. Connect green (ground) wire from power cord and the green and yellow striped (solenoid ground) wire to the motor ground screw. Tighten screw to secure wires. See Figure 6.
3. Insert white (neutral) wire from power cord into L5 terminal of contactor. Tighten screw on the contactor to secure the wire. See Figure 7.
4. Connect black (hot) wire of power cord to top pin (pin 1) of circuit breaker. See Figure 8.
5. Using a wire tie, secure the power cord wires to the top of the middle bracket. See Figure 9.

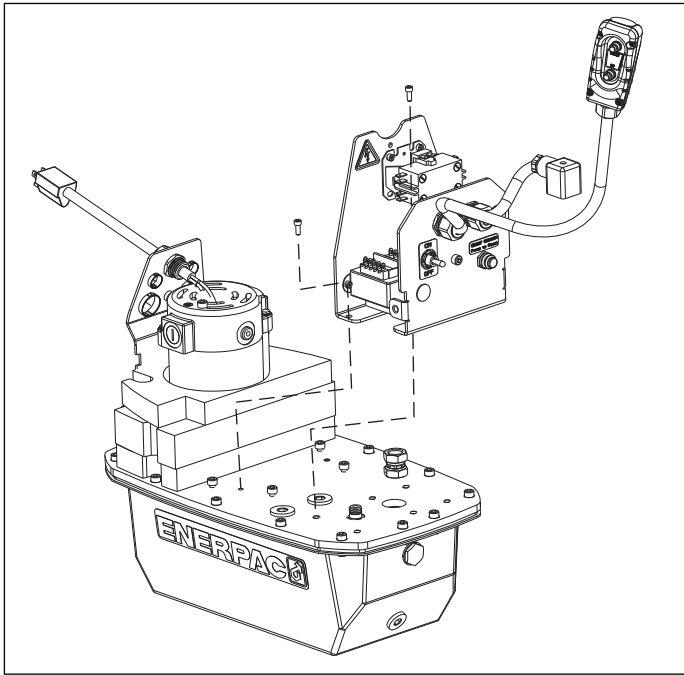


Figure 5, Installing new Front and Middle Brackets

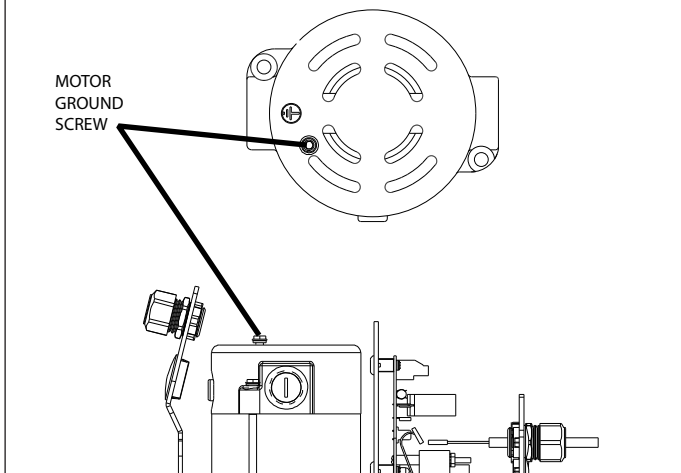
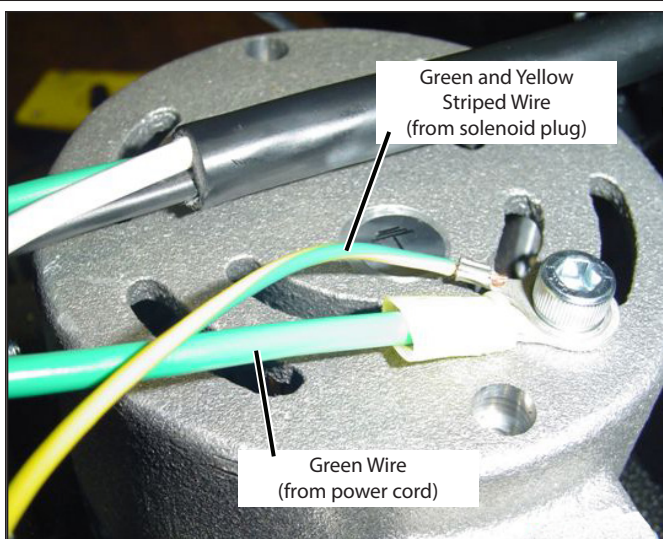
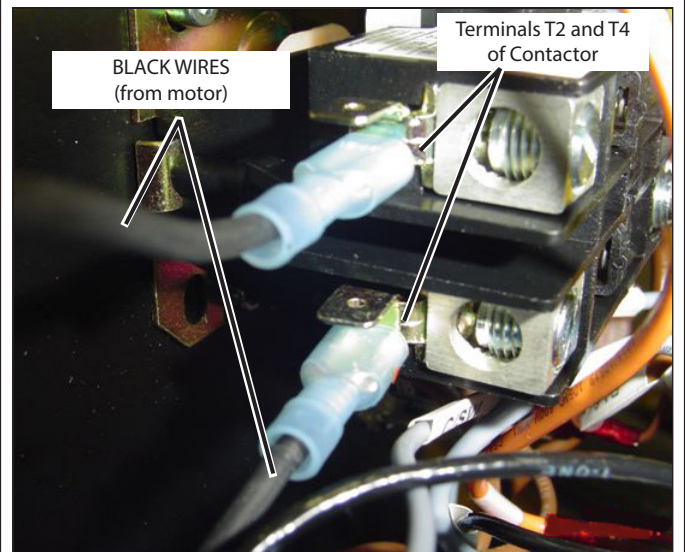
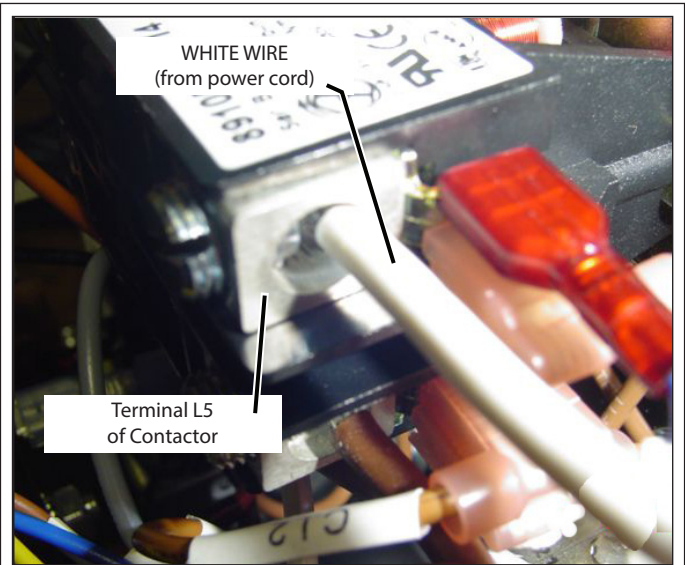


Figure 6, Ground Wire Connection to Pump Motor

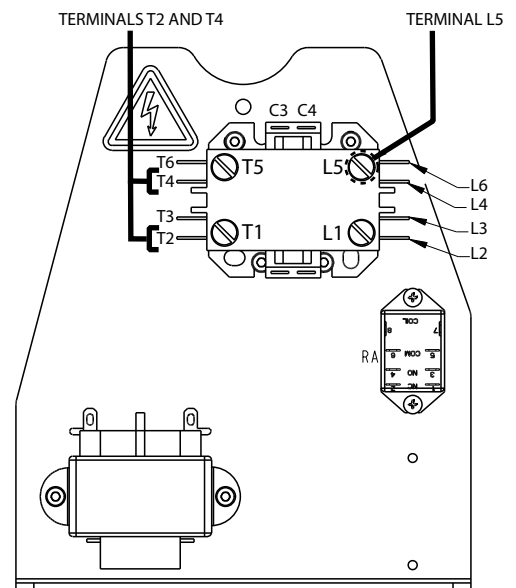


Figure 7, Middle Bracket Contactor Connections

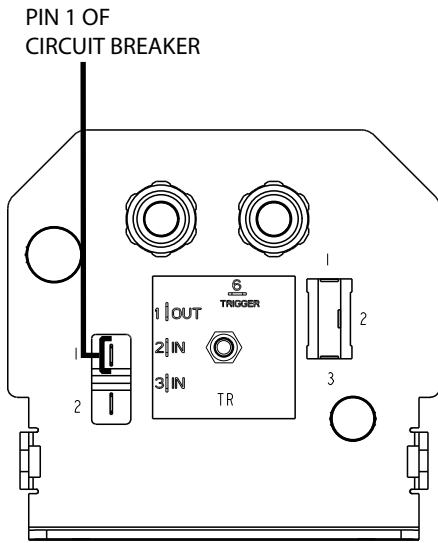
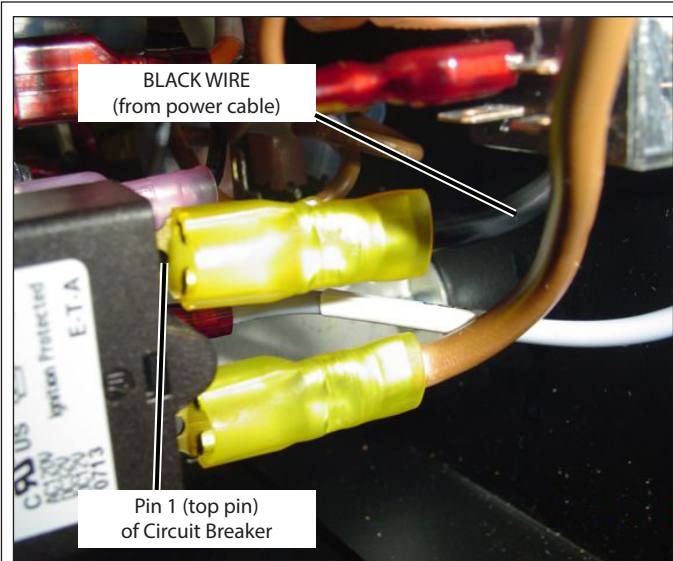


Figure 8, Front Bracket Connections

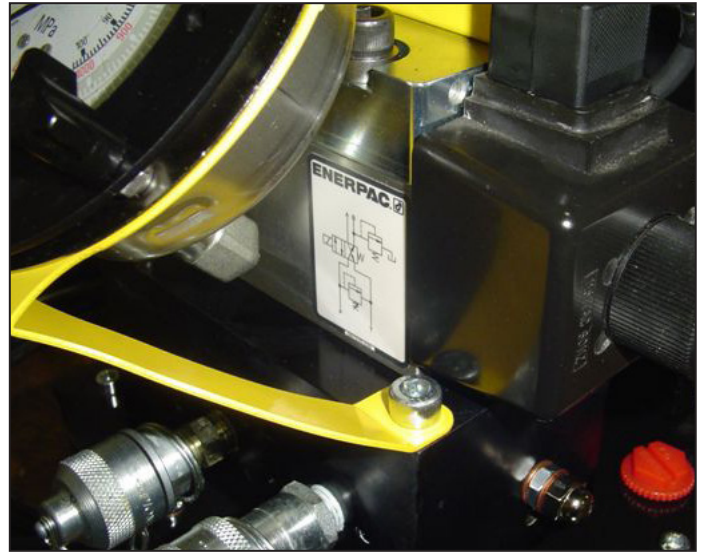


Figure 10, Mounting Screw Securing Gauge Bracket



Figure 11, Solenoid Plug

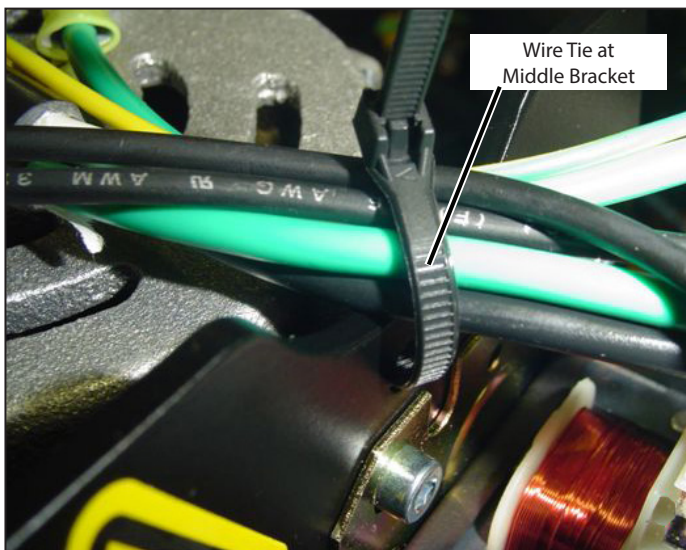


Figure 9, Wire Tie Installation (Middle Bracket)



**WARNING:** Disconnect power before making electrical connections.



**WARNING:** Allow only trained and qualified personnel to perform the electrical upgrades described in this document.

**IMPORTANT:** 230 volt CE models: Some electrical wire colors will be different. Refer to wiring diagram in Figure 14 for additional 230V CE wiring information.

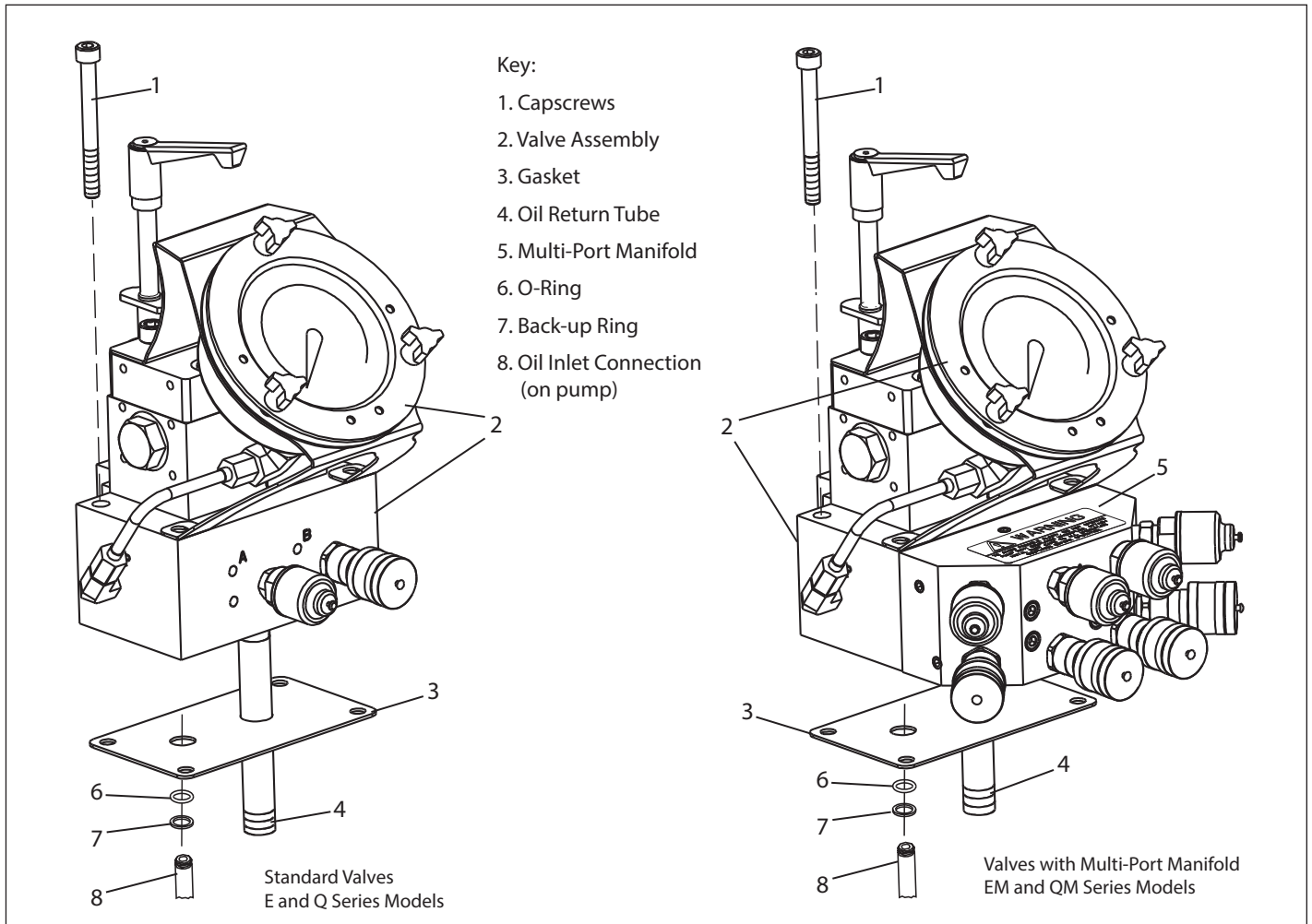


Figure 12, Valve Installation Details

### INSTALLATION OF NEW VALVE ASSEMBLY

Refer to exploded view in Figure 12 during the following steps. Refer to other figures as indicated.

1. Install oil return tube into port on bottom of valve manifold.
2. Be sure valve mounting surface on pump coverplate is clean. Remove any dirt or dust from this area.
3. Install new backup ring and new O-Ring on pump oil supply tube.
4. Mount the new valve assembly and gasket to the pump cover plate using the four socket head capscrews provided with the valve. Apply Loctite 545 sealant to threads of capscrews as installed. Torque to 16-19 ft-lbs [22-25 Nm].

Note: The front two capscrews are also used to help secure the gauge bracket. See Figure 10.

5. Plug the solenoid cord into the solenoid to the valve and hand tighten the plug retaining screw. See Figure 11.

### FINAL ASSEMBLY AND TESTING

Install the shroud halves. Torque the shroud mounting screws to 18-20 in-lbs [2,0- 2,9 Nm]. See Figure 13

Check pump for proper operation. Refer to operating instructions in Enerpac instruction sheet L2906.

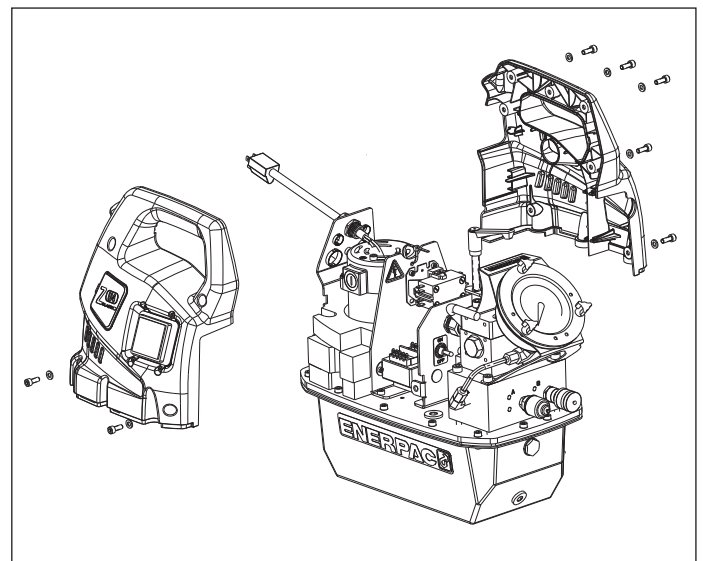


Figure 13, Shroud Reinstallation

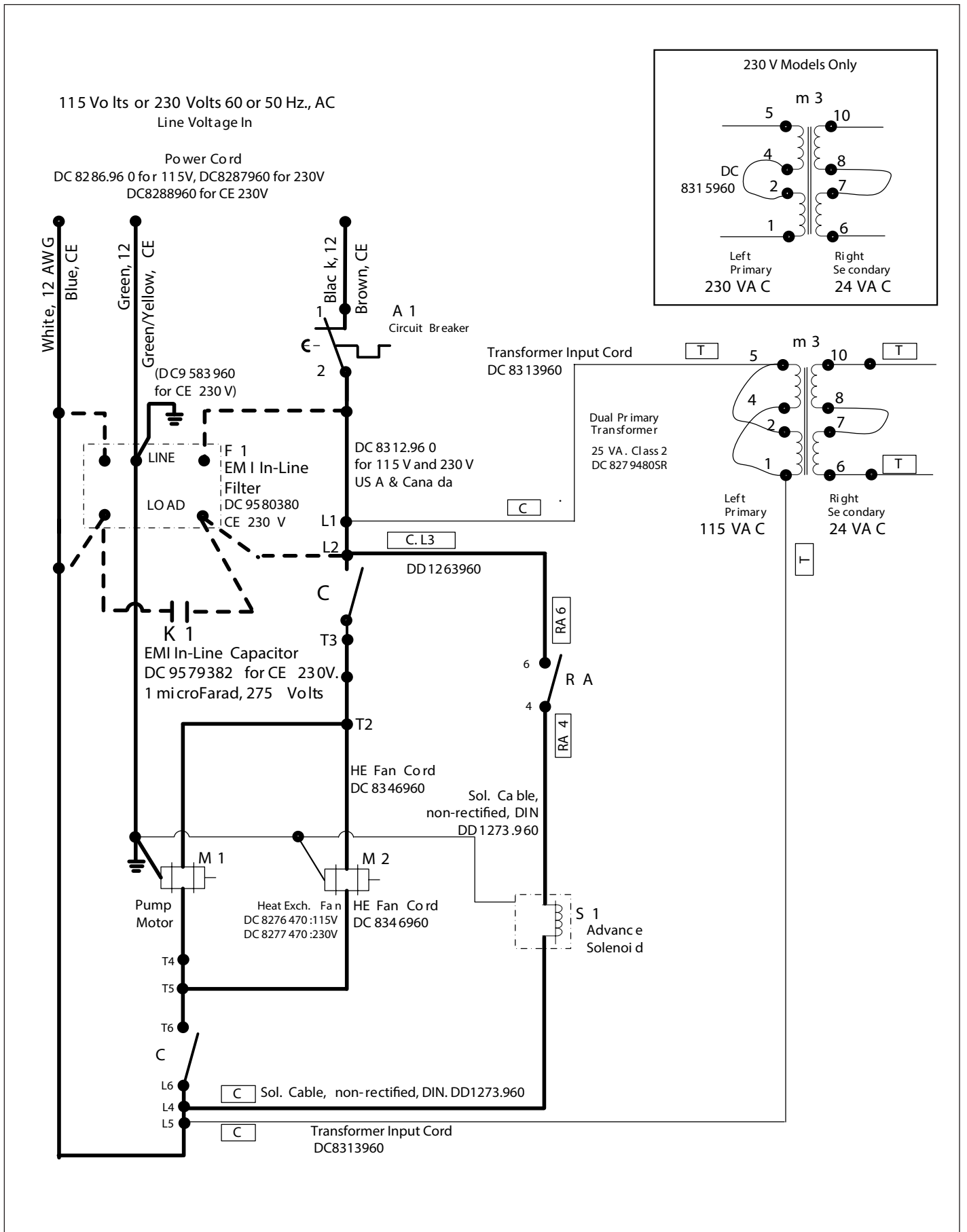
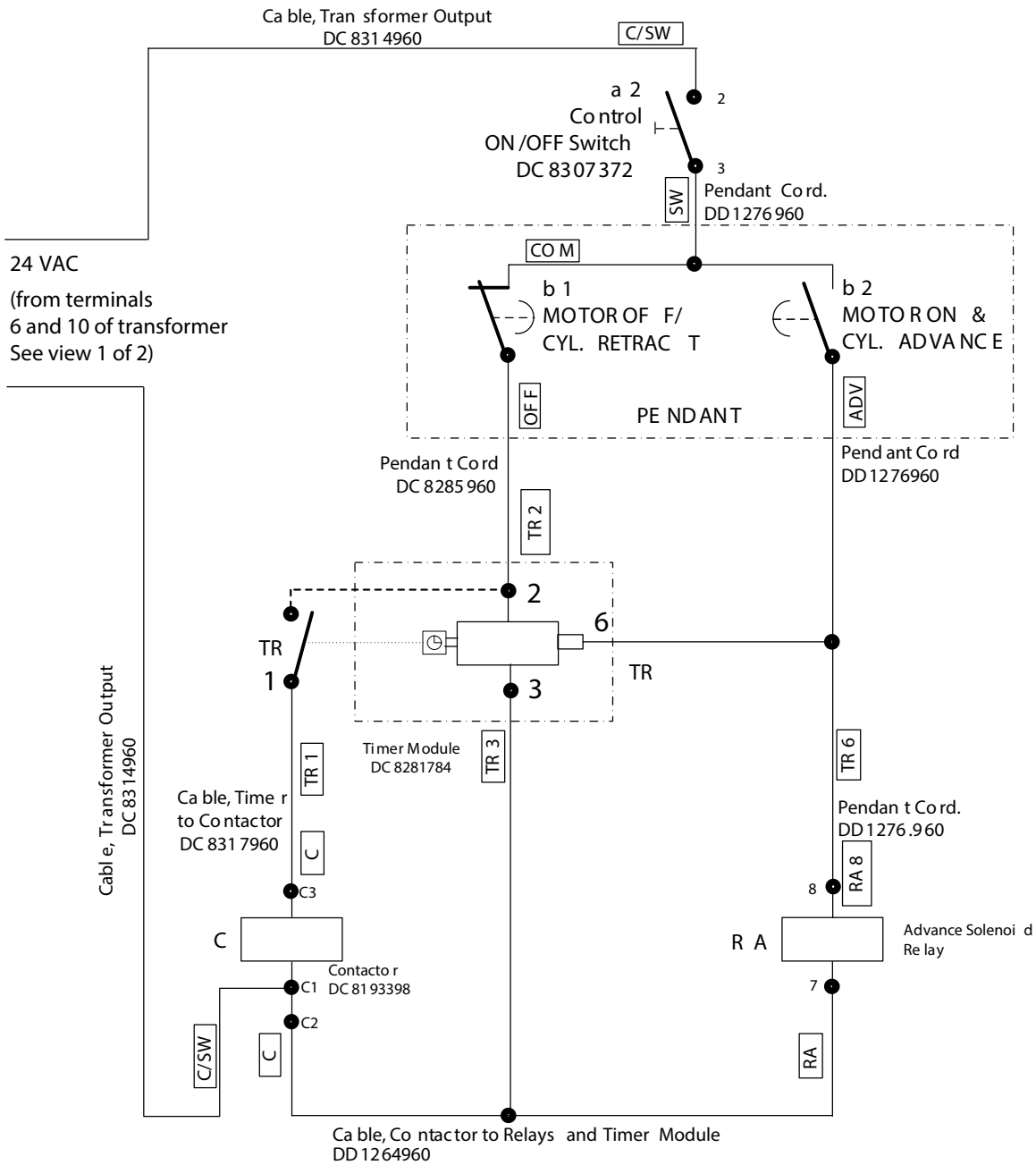


Figure 14, Electrical Diagram, ZU4 Classic Bolting Pump (View 1 of 2)



FUNCTIONAL CHART:

DESCRIPTION	a2	b1	b2	RA	TR	C	M1 & M2	S1
	OFF	released	released	OFF	OFF	OFF	STOP	OFF
	ON	released	released	ON	OFF	OFF	STOP	OFF
C, M1 and M2 will be off after the time delay	ON	released	pressed and released	ON	ON	ON	RUN	ON
	ON	pressed	released	OFF	OFF	OFF	STOP	OFF

Figure 14, Electrical Diagram, ZU4 Classic Bolting Pump (View 2 of 2)

## Enerpac Worldwide Locations

### Africa

ENERPAC Middle East FZE  
Office 423, JAFZA 15  
P.O. Box 18004  
Jebel Ali, Dubai  
United Arab Emirates  
Tel: +971 (0)4 8872686  
Fax: +971 (0)4 8872687

### Australia, New Zealand

Actuant Australia Ltd.  
Block V Unit 3  
Regents Park Estate  
391 Park Road  
Regents Park NSW 2143  
(P.O. Box 261) Australia  
Tel: +61 297 438 988  
Fax: +61 297 438 648

### Brazil

Power Packer do Brasil Ltda.  
Rua dos Inocentes, 587  
04764-050 - Sao Paulo (SP)  
Tel: +55 11 5687 2211  
Fax: +55 11 5686 5583  
**Toll Free in Brazil:**  
Tel: 0800 891 5770  
vendasbrasil@enerpac.com

### Canada

Actuant Canada Corporation  
6615 Ordan Drive, Unit 14-15  
Mississauga, Ontario L5T 1X2  
Tel: +1 905 564 5749  
Fax: +1 905 564 0305  
**Toll Free:**  
Tel: +1 800 268 4987  
Fax: +1 800 461 2456  
**Technical Inquiries:**  
techservices@enerpac.com

### China

Actuant Industries Co. Ltd.  
No. 6 Nanjing Road  
Taicang Economic Dep Zone  
Jiangsu, China  
Tel: +86 0512 5328 7529  
+86 0512 5328 7500 7529  
Fax: +86 0512 5335 9690

### Actuant China Ltd. (Beijing)

709B Diyang Building  
Xin No. 2  
Dong San Huan North Rd.  
Beijing City  
100028 China  
Tel: +86 10 845 36166  
Fax: +86 10 845 36220

### Central and Eastern Europe, Greece

ENERPAC GmbH  
P.O. Box 300113  
D-40401 Düsseldorf  
Willstätterstrasse13  
D-40549 Düsseldorf  
Germany  
Tel: +49 211 471 490  
Fax: +49 211 471 49 28

### France, Switzerland francophone

ACTUANT - ENERPAC  
France S.A., ZA de Courtaboeuf  
32, avenue de la Baltique  
91140 Villebon / Yvette  
France  
Tel: +33 1 60 13 68 68  
Fax: +33 1 69 20 37 50

### Germany, Austria and Switzerland

ENERPAC GmbH  
P.O. Box 300113  
D-40401 Düsseldorf  
Willstätterstrasse13  
D-40549 Düsseldorf  
Germany  
Tel: +49 211 471 490  
Fax: +49 211 471 49 28

### India

ENERPAC Hydraulics  
(India) Pvt. Ltd.  
No. 1A,  
Peenya Industrial Area,  
IInd Phase  
Bangalore, 560 058 India  
Tel: +91 80 40 792 777  
Fax: +91 80 40 792 792

### Italy

ENERPAC S.p.A.  
Via Canova 4  
20094 Corsico (Milano)  
Tel: +39 02 4861 111  
Fax: +39 02 4860 1288

### Japan

Applied Power Japan LTD KK  
Besshochou 85-7  
Kita-ku,  
Saitama-shi 331-0821  
Japan  
Tel: +81 48 662 4911  
Fax: +81 48 662 4955

◆ e-mail: [info@enerpac.com](mailto:info@enerpac.com)

### Middle East, Turkey and Caspian Sea

ENERPAC Middle East FZE  
Office 423, JAFZA 15  
P.O. Box 18004  
Jebel Ali, Dubai  
United Arab Emirates  
Tel: +971 (0)4 8872686  
Fax: +971 (0)4 8872687

### Russia and CIS (excl. Caspian Sea Countries)

Actuant LLC  
Admiral Makarov Street 8  
125212 Moscow, Russia  
Tel: +7-495-9809091  
Fax: +7-495-9809092

### Scandinavia

ENERPAC Scandinavia AB  
Fabriksgratan 7  
41250 Gothenburg  
Sweden  
Tel: +46 31 7990281  
Fax: +46 31 7990010

### Singapore

Actuant Asia Pte. Ltd.  
37C, Benoi Road Pioneer Lot,  
Singapore 627796  
Tel: +65 68 63 0611  
Fax: +65 64 84 5669  
**Toll Free:** +1800 363 7722  
**Technical Inquiries:**  
techsupport@enerpac.com.sg

### South Korea

Actuant Korea Ltd.  
3Ba 717,  
Shihwa Industrial Complex  
Jungwang-Dong, Shihung-Shi, Kyunggi-Do  
Republic of Korea 429-450  
Tel: +82 31 434 4506  
Fax: +82 31 434 4507

### Spain and Portugal

ENERPAC SPAIN, S.L.  
Avda. Los Frailes, 40 - Nave C & D  
Pol. Ind. Los Frailes  
28814 DAGANZO DE ARRIBA (Madrid)  
Spain  
Tel: +34 91 661 11 25  
Fax: +34 91 661 47 89

◆ internet: [www.enerpac.com](http://www.enerpac.com)

### The Netherlands, Belgium, Luxembourg, Denmark, Norway, Finland and Baltic States

ENERPAC B.V.  
Galvanistraat 115, 6716 AE Ede  
P.O. Box 8097, 6710 AB Ede  
The Netherlands  
Tel: +31 318 535 911  
Fax: +31 318 525 613  
+31 318 535 848  
**Technical Inquiries Europe:**  
techsupport.europe@enerpac.com

### United Kingdom, Ireland

Enerpac Ltd  
Bentley Road South  
Darlaston, West Midlands  
WS10 8LQ, United Kingdom  
Tel: +44 (0)121 50 50 787  
Fax: +44 (0)121 50 50 799

### USA, Latin America and Caribbean

ENERPAC  
P.O. Box 3241  
6100 N. Baker Road  
Milwaukee, WI 53209 USA  
Tel: +1 262 781 6600  
Fax: +1 262 783 9562

### User inquiries:

+1 800 433 2766

### Inquiries/orders:

+1 800 558 0530

### Technical Inquiries:

techservices@enerpac.com

### ENERPAC

704 W. Simonds  
Dallas, TX 75159 USA  
Tel: +1 972 287 2390  
Fax: +1 972 287 4469

**All Enerpac products are guaranteed against defects in workmanship and materials for as long as you own them.  
For your nearest authorized Enerpac Service Center, visit us at [www.enerpac.com](http://www.enerpac.com)**