

L2624 Rev. B 09/10

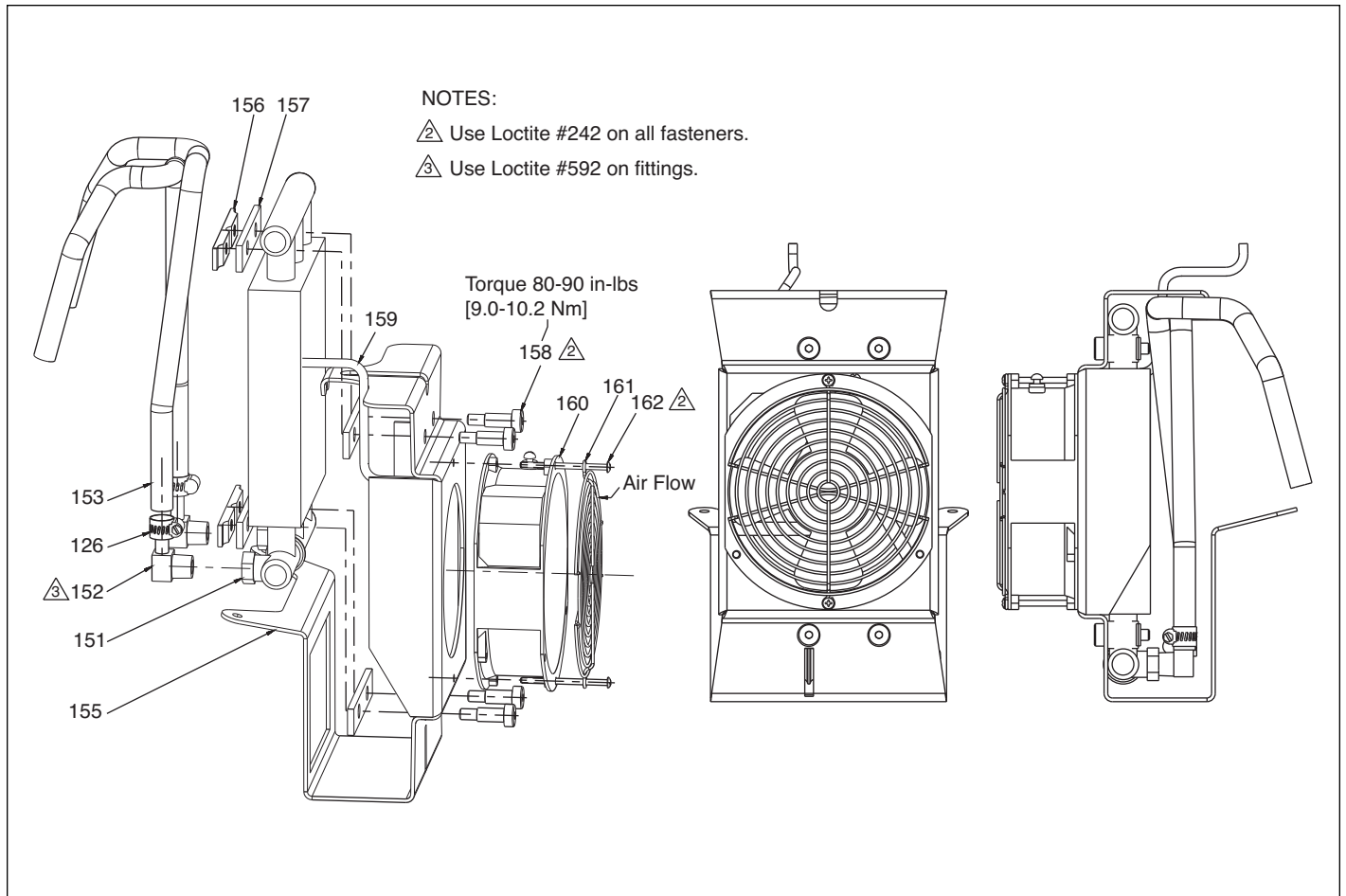


Figure 1, Heat Exchanger

Repair Parts List, Heat Exchanger

Item	Part Number	Qty.	Description	Item	Part Number	Qty.	Description
126	★ DC9639299	4	Hose clamp 3/8 X 7/8	157	★ DC9554037	4	Gasket
151	★ DC9546471	1	Heat Exchanger coil	158	★ DC9576242	4	Shoulder Bolt M8 x 20
152	★ PA2029097	2	Hose Barb Elbow	160	†★DC3224900SR	1	Fan Asm. 24V
153	★ DC9417646	2	Hose 19"	161	†★DC3227689	1	Fan Guard
155	★ DC9545471	1	Bracket	162	†★DC9575628	2	Bolt #8-32 x 2.50
156	★ DC9555471	2	Bracket				

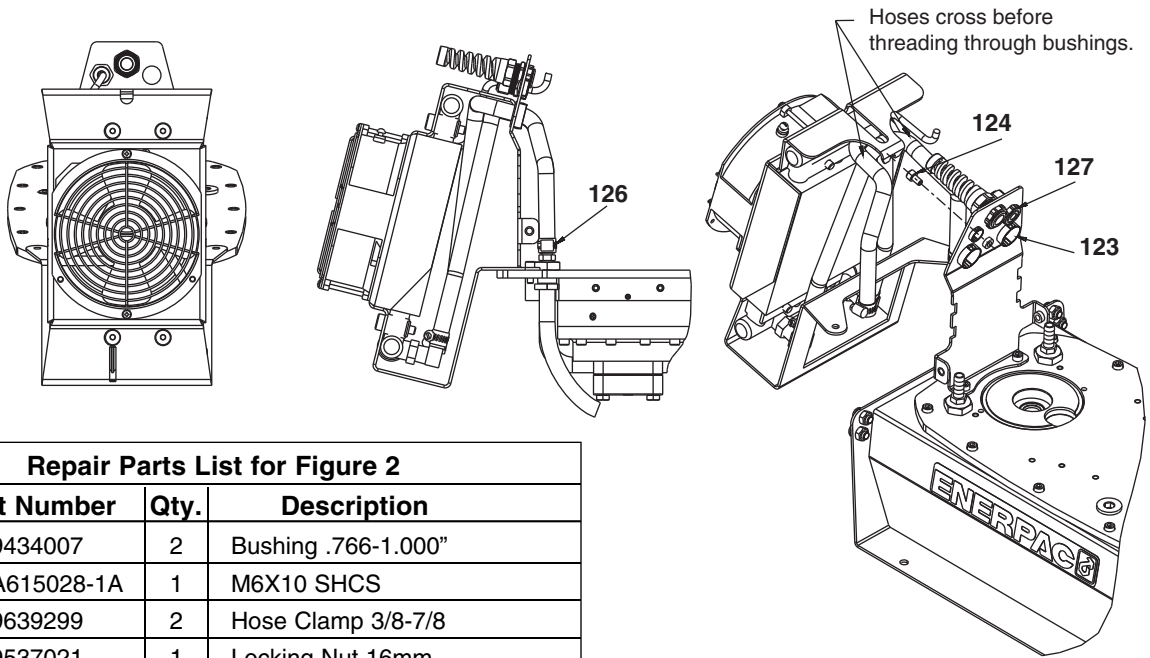
★ Items included in Kit ZHE-U4

† Items included in Service Repair Kit DC3224900SR

**NOTE:** Enerpac does not provide the pin connector as a service part.

Use: AMP Housing #770849-2, 1 piece

AMP Pin #640706-1, 2 pieces

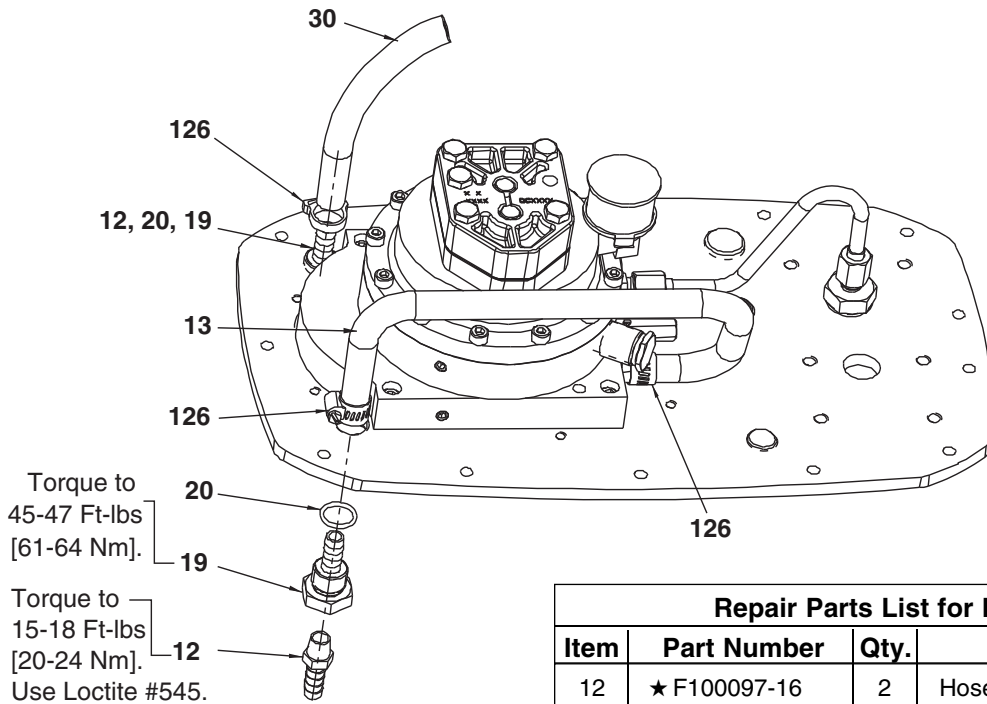


**Repair Parts List for Figure 2**

Item	Part Number	Qty.	Description
123	★ DC9434007	2	Bushing .766-1.000"
124	★ CCA615028-1A	1	M6X10 SHCS
126	★ DC9639299	2	Hose Clamp 3/8-7/8
127	★ DC9537021	1	Locking Nut 16mm

★ Items included as part of Kit ZHE-U4.

**Figure 2, Heat Exchanger**

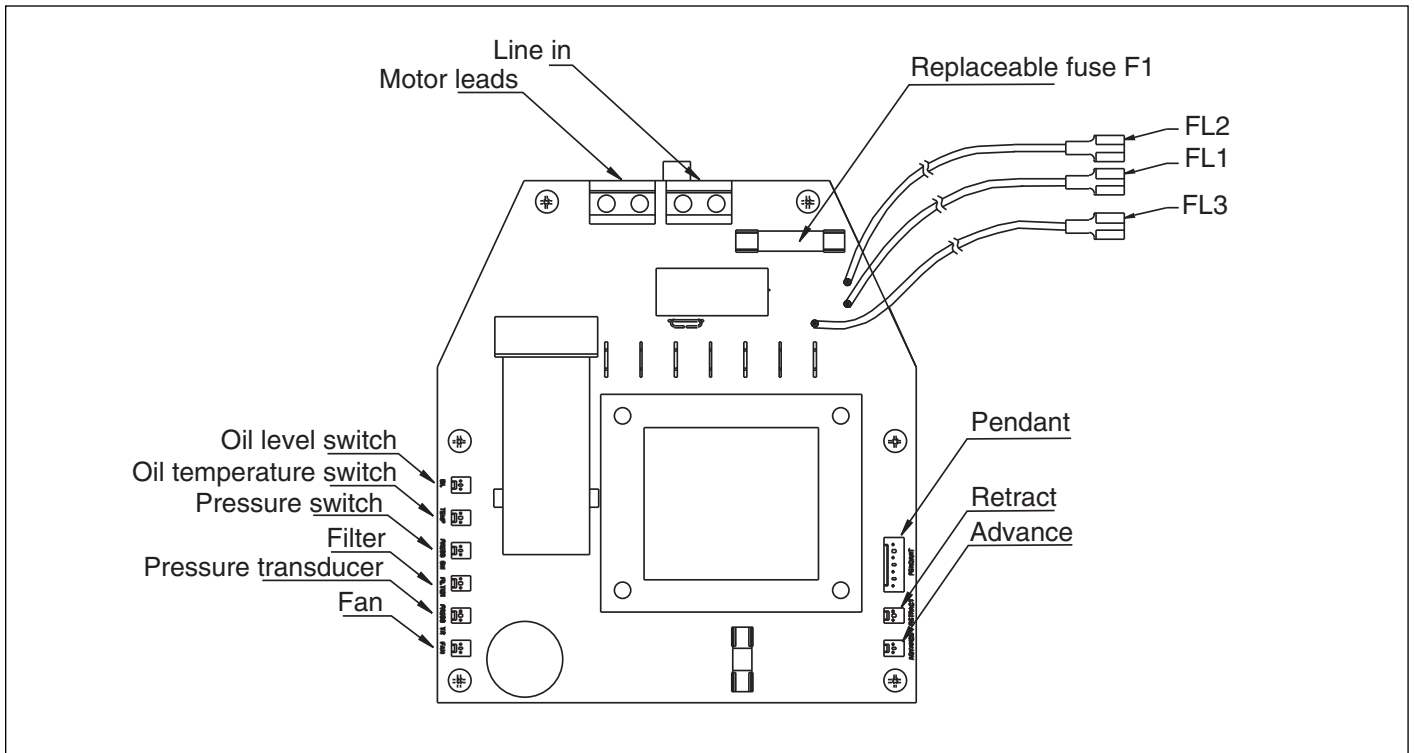


**Repair Parts List for Figure 3**

Item	Part Number	Qty.	Description
12	★ F100097-16	2	Hose Barb Fitting
13	★ DC9416646	1	Hose, 23"
19	★ DC9273097	2	Fitting
20	★ B1908503	2	O-ring
30	★ DC9418646	1	Hose, 5"
126	★ DC9526299	3	Hose Clamp

★ Items included as part of Repair Kit ZHE-U4.

**Figure 3, Heat Exchanger Cover Plate**



**Figure 4, Power Board Wiring**

### ZHE-U4 HEAT EXCHANGER INSTALLATION INSTRUCTIONS

Be sure the pump is disconnected from the power source.

1. Remove the shroud from the cover plate by removing the nine screws and washers that hold the shroud together and to the cover plate with a 5 mm (3/16") Allen wrench.
2. The shroud half, with the controls, is wired to the pump and must be disconnected. On the LCD pump, gently pull away the connector for the ribbon cable. On the standard board you will need to remove the four power wires with a small flat screwdriver.
3. If needed, gently pull away any accessory connectors from the power board.
4. The pump can be removed from the reservoir without removing the motor or the valve.
5. Remove the 13 screws and gaskets that secure the cover plate to the reservoir using a 5 mm (3/16") Allen wrench.
6. Lift the cover plate up and remove it from the reservoir. The gasket may hold the cover plate firmly to the reservoir and it may require gentle prying with a flathead screwdriver to remove.
7. If the gasket is damaged, it will need to be replaced.
8. Remove the two SAE #8 plugs from the back of the cover plate.
9. Install the o-rings (item 20), the fittings (item 19), and the hose barb (item 12) into the ports that the SAE #8 plugs were removed from (see Fig. 3).
10. Remove the 8" by-pass hose from the pump element.
11. Install the 23" hose from the pump element to the fitting (item 19) using two hose clamps (item 126) as shown in Fig. 3.
12. Install the 5" hose to the remaining fitting (item 19) using one hose clamp (item 126) as shown in Fig. 3. This is the return hose.
13. The cover plate can now be re-installed to the reservoir using only 11 of the 13 screws. Torque to 50 – 60 inch lbs. Leave out the two back corner screws. They will be used to mount the heat exchanger bracket to the cover plate.
14. Slide a bushing (item 123, Fig. 2) on each hose. Cross the two hoses and insert the hose ends into the back bracket.
15. While keeping the bushings close to the top, route the hoses down, slide a hose clamp (item 126, Fig. 2) on each hose and press the hoses onto the hose barb (item 12, Fig. 3). Tighten the hose clamps.
16. Slide the bushings up and insert them into the back plate.
17. Assemble the heat exchanger to the pump. The heat exchanger is held on the pump by the two back corner screws left off earlier and one top screw (item 124, Fig. 2). Torque the cover plate screws to 50 - 60 inch lbs.
18. Route the fan cord through the back bracket as shown in Fig. 2. The cord bushing comes assembled on the cord. Using the lock nut (item 127, Fig. 2) fasten the cord bushing to the back bracket being careful not to over tighten the plastic lock nut (item 127).
19. Route the fan cord over the top of the motor and plug the connector into the fan pin on the power board. (see Fig. 4).
20. Re-assemble the shroud to the pump. Check for proper operation and leaks.

## Enerpac Worldwide Locations

◆ e-mail: [info@enerpac.com](mailto:info@enerpac.com)

◆ internet: [www.enerpac.com](http://www.enerpac.com)

### Africa

ENERPAC Middle East FZE  
Office 423, JAFZA 15  
P.O. Box 18004  
Jebel Ali, Dubai  
United Arab Emirates  
Tel: +971 (0)4 8872686  
Fax: +971 (0)4 8872687

### Australia, New Zealand Actuant Australia Ltd.

Block V Unit 3  
Regents Park Estate  
391 Park Road  
Regents Park NSW 2143  
(P.O. Box 261) Australia  
Tel: +61 297 438 988  
Fax: +61 297 438 648

### Brazil

Power Packer do Brasil Ltda.  
Rua dos Inocentes, 587  
04764-050 - Sao Paulo (SP)  
Tel: +55 11 5687 2211  
Fax: +55 11 5686 5583  
Toll Free in Brazil:  
Tel: 0800 891 5770  
[vendasbrasil@enerpac.com](mailto:vendasbrasil@enerpac.com)

### Canada

Actuant Canada Corporation  
6615 Ordan Drive, Unit 14-15  
Mississauga, Ontario L5T 1X2  
Tel: +1 905 564 5749  
Fax: +1 905 564 0305  
Toll Free:  
Tel: +1 800 268 4987  
Fax: +1 800 461 2456  
Technical Inquiries:  
[techservices@enerpac.com](mailto:techservices@enerpac.com)

### China

Actuant Industries Co. Ltd.  
No. 6 Nanjing Road  
Taicang Economic Dep Zone  
Jiangsu, China  
Tel: +86 0512 5328 7529  
+86 0512 5328 7500 7529  
Fax: +86 0512 5335 9690

### Actuant China Ltd. (Peking)

709B Diyang Building  
Xin No. 2  
Dong San Huan North Rd.  
Beijing City  
100028 China  
Tel: +86 10 845 36166  
Fax: +86 10 845 36220

### France, Switzerland francophone

ACTUANT - ENERPAC  
France S.A., ZA de Courtaboeuf  
32, avenue de la Baltique  
91140 Villebon / Yvette  
France  
Tel: +33 1 60 13 68 68  
Fax: +33 1 69 20 37 50

### Germany, Austria, Switzerland, Greece, Baltic States, Central and Eastern Europe

ENERPAC GmbH  
P.O. Box 300113  
D-40401 Düsseldorf  
Willstätterstrasse 13  
D-40549 Düsseldorf  
Germany  
Tel: +49 211 471 490  
Fax: +49 211 471 49 28

### India

ENERPAC Hydraulics  
(India) Pvt. Ltd.  
No. 1A,  
Peenya Industrial Area,  
IInd Phase  
Bangalore, 560 058 India  
Tel: +91 80 40 792 777  
Fax: +91 80 40 792 792

### Italy

ENERPAC S.p.A.  
Via Canova 4  
20094 Corsico (Milano)  
Tel: +39 02 4861 111  
Fax: +39 02 4860 1288

### Japan

Applied Power Japan LTD KK  
Besshocho 85-7  
Kita-ku,  
Saitama-shi 331-0821  
Japan  
Tel: +81 48 662 4911  
Fax: +81 48 662 4955

### Middle East, Turkey and Caspian Sea

ENERPAC Middle East FZE  
Office 423, JAFZA 15  
P.O. Box 18004  
Jebel Ali, Dubai  
United Arab Emirates  
Tel: +971 (0)4 8872686  
Fax: +971 (0)4 8872687

### Russia and CIS (excl. Caspian Sea Countries)

Actuant LLC  
Admiral Makarov Street 8  
125212 Moscow, Russia  
Tel: +7-495-9809091  
Fax: +7-495-9809092

### Sweden, Denmark, Norway, Finland and Iceland

ENERPAC Scandinavia AB  
Fabrikskatan 7  
412 50 Gothenburg  
Sweden  
Tel: +46 31 7990281  
Fax: +46 31 7990010  
[scandinavianinquiries@enerpac.com](mailto:scandinavianinquiries@enerpac.com)

### Singapore

Actuant Asia Pte. Ltd.  
37C, Benoi Road Pioneer Lot,  
Singapore 627796  
Tel: +65 68 63 0611  
Fax: +65 64 84 5669  
Toll Free: +1800 363 7722  
Technical Inquiries:  
[tech.service-sg@enerpac.com](mailto:tech.service-sg@enerpac.com)

### South Korea

Actuant Korea Ltd.  
3Ba 717,  
Shihwa Industrial Complex  
Jungwang-Dong, Shihung-Shi,  
Kyunggi-Do  
Republic of Korea 429-450  
Tel: +82 31 434 4506  
Fax: +82 31 434 4507

### Spain and Portugal

ENERPAC SPAIN, S.L.  
Avda. Los Frailes, 40 - Nave C  
& D  
Pol. Ind. Los Frailes  
28814 DAGANZO DE ARRIBA  
(Madrid)  
Spain  
Tel: +34 91 884 86 06  
Fax: +34 91 884 86 11

### Sweden, Denmark, Norway, Finland and Iceland

Enerpac Scandinavia AB  
Fabrikskatan 7  
412 50 Gothenburg  
Sweden  
Tel: +46 (0) 31 7990281  
Fax: +46 (0) 31 7990010  
Inquiries:  
[Scandinavianinquiries@enerpac.com](mailto:Scandinavianinquiries@enerpac.com)

### The Netherlands, Belgium, Luxembourg

ENERPAC B.V.  
Galvanistraat 115, 6716 AE Ede  
P.O. Box 8097, 6710 AB Ede  
The Netherlands  
Tel: +31 318 535 800  
Fax: +31 318 525 613  
+31 318 535 848  
[beneluxinquiries@enerpac.com](mailto:beneluxinquiries@enerpac.com)  
Technical Inquiries Europe:  
[techsupport.europe@enerpac.com](mailto:techsupport.europe@enerpac.com)

### United Kingdom, Ireland

**Enerpac Ltd**  
Bentley Road South  
Darlaston, West Midlands  
WS10 8LQ, United Kingdom  
Tel: +44 (0)121 50 50 787  
Fax: +44 (0)121 50 50 799

### USA, Latin America and Caribbean

ENERPAC  
P.O. Box 3241  
6100 N. Baker Road  
Milwaukee, WI 53209 USA  
Tel: +1 262 781 6600  
Fax: +1 262 783 9562

### User inquiries:

+1 800 433 2766

### Inquiries/orders:

+1 800 558 0530

### Technical Inquiries:

[techservices@enerpac.com](mailto:techservices@enerpac.com)

### ENERPAC

704 W. Simonds  
Dallas, TX 75159 USA  
Tel: +1 972 287 2390  
Fax: +1 972 287 4469

09/30/09

All Enerpac products are guaranteed against defects in workmanship and materials for as long as you own them. For your nearest authorized Enerpac Service Center, visit us at [www.enerpac.com](http://www.enerpac.com)