

# PRODUCT INFORMATION PACKET



Model No: 122412.00  
Catalog No: 122412.00  
1.50 HP Crop Dryer Motor, 1 phase, 3600 RPM, 230 V, 145TZ Frame, TEAO  
Crop Dryer Motors



Regal and Leeson are trademarks of Regal Beloit Corporation or one of its affiliated companies.  
©2019 Regal Beloit Corporation, All Rights Reserved. MC017097E





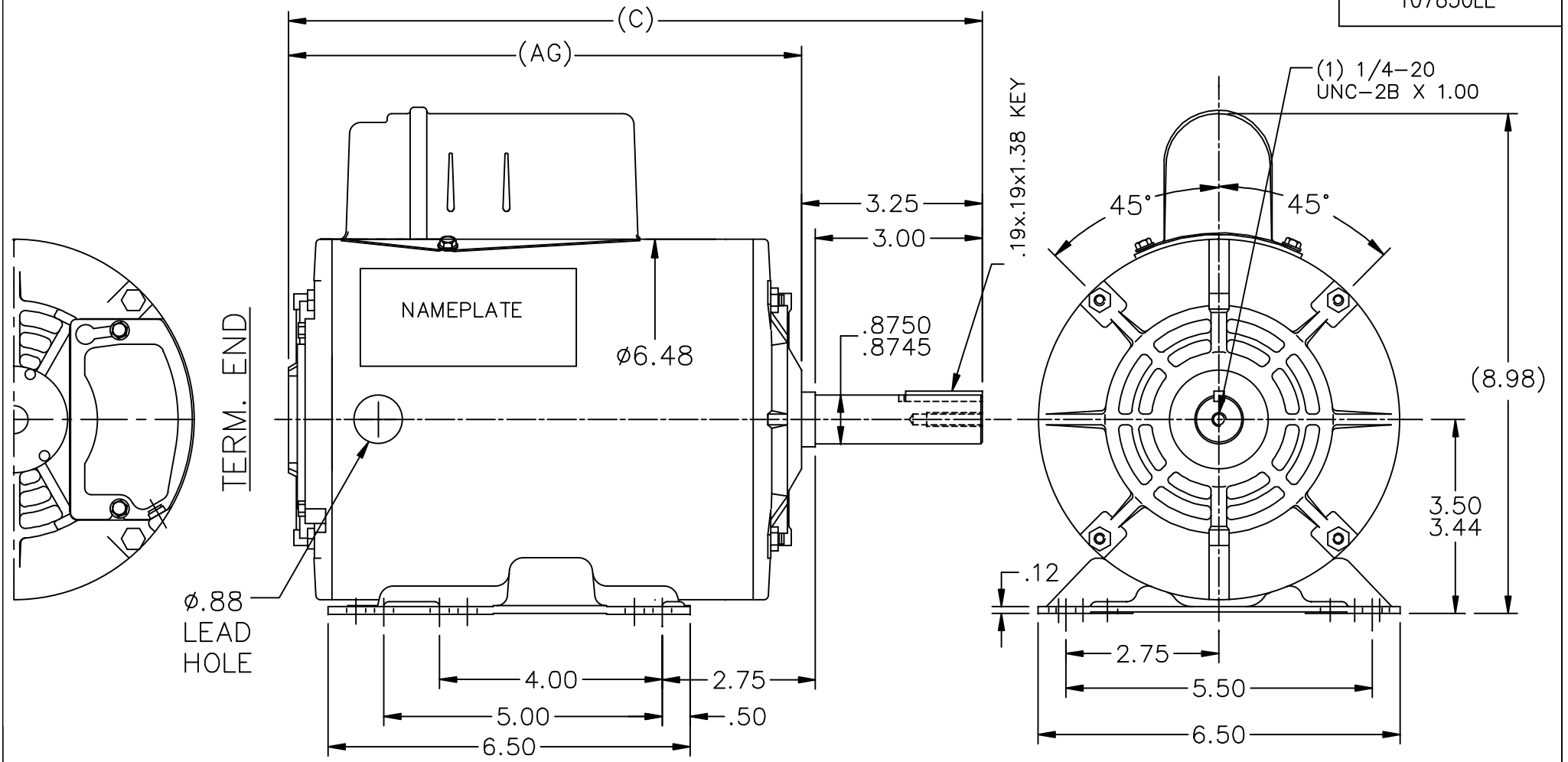
### Nameplate Specifications

Output HP	<b>1.50 Hp</b>	Output KW	<b>1.1 kW</b>
Frequency	<b>60 Hz</b>	Voltage	<b>230 V</b>
Current	<b>8.4 A</b>	Speed	<b>3500 rpm</b>
Service Factor	<b>1</b>	Phase	<b>1</b>
Efficiency	<b>70 %</b>	Power Factor	<b>79</b>
Duty	<b>Continuous</b>	Insulation Class	<b>F</b>
Design Code	<b>NO DESIGN CODE</b>	KVA Code	<b>H</b>
Frame	<b>145TZ</b>	Enclosure	<b>Totally Enclosed Air Over</b>
Thermal Protection	<b>No</b>	Ambient Temperature	<b>40 °C</b>
Drive End Bearing Size	<b>6205</b>	Opp Drive End Bearing Size	<b>6205</b>
UL	<b>Recognized</b>	CSA	<b>Y</b>
CE	<b>N</b>	IP Code	<b>43</b>


### Technical Specifications

Electrical Type	<b>Capacitor Start Induction Run</b>	Starting Method	<b>Across The Line</b>
Poles	<b>2</b>	Rotation	<b>Selective Counterclockwise</b>
Resistance Main	<b>0 Ohms</b>	Mounting	<b>Rigid Base</b>
Motor Orientation	<b>Horizontal</b>	Drive End Bearing	<b>Ball</b>
Opp Drive End Bearing	<b>Ball</b>	Frame Material	<b>Rolled Steel</b>
Shaft Type	<b>Single Special Extension</b>	Overall Length	<b>12.46 in</b>
Frame Length	<b>7.66 in</b>	Shaft Diameter	<b>0.875 in</b>
Shaft Extension	<b>3.25 in</b>	Assembly/Box Mounting	<b>F1 ONLY</b>

This is an uncontrolled document once printed or downloaded and is subject to change without notice. Date Created:01/11/2019

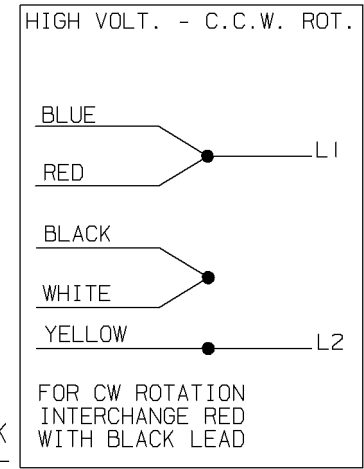
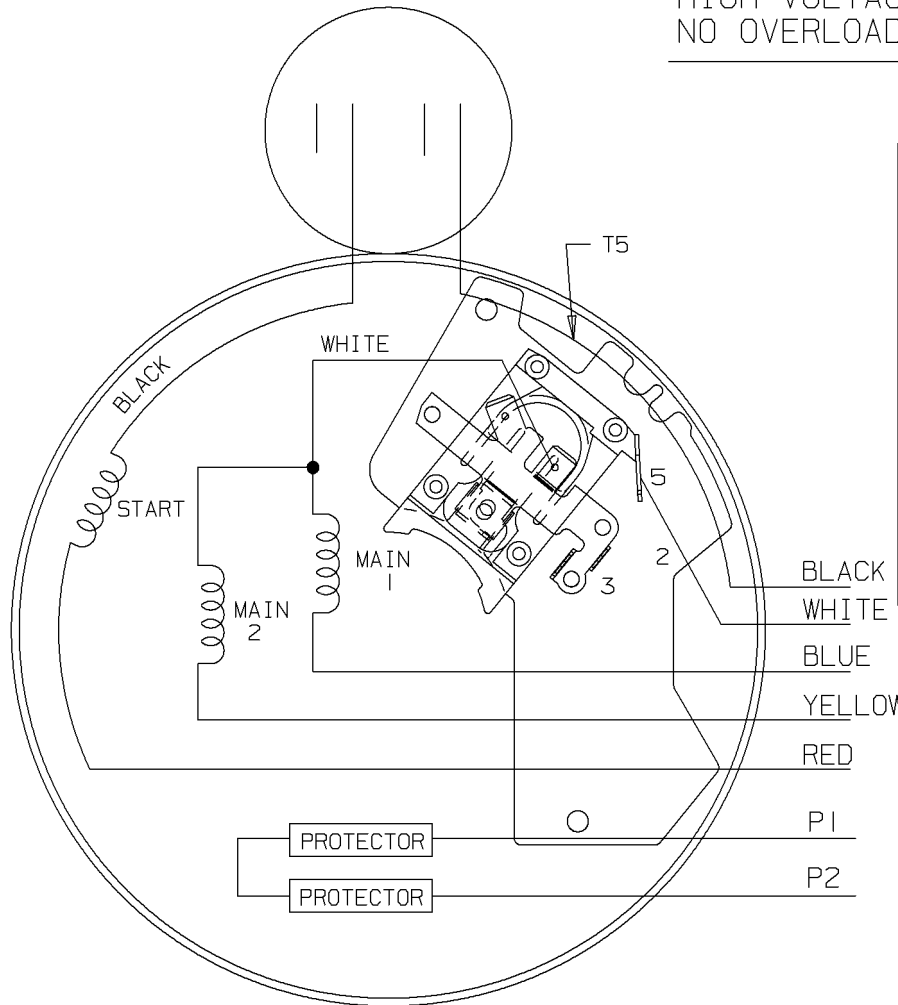
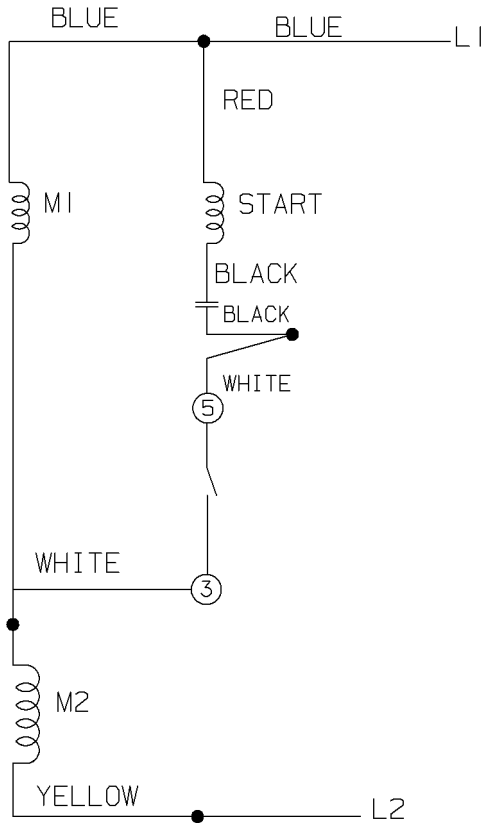


DASH	AG	C
756	9.21	12.46
956	11.21	14.46

				TOLERANCES UNLESS SPECIFIED			ELECTRIC MOTORS GEARMOTORS AND DRIVES	DRAWN VS 3/8/2012	
				DEC.	INCHES			CHK	APPD
				.X	±.1			SCALE	3=8
02	ADD .88 DIA. LEAD HOLE	ISAAC 12-4198	LST 8/29/12	.XXX	±.005	TITLE OUTLINE		REF	105335LN
01	CAP WAS REMOTE & LEADS WERE 30"	ISAAC 12-3113	LST 7/10/12	.XXXX	±.0005	MAT'L.		FMF	
NO.	REVISION	BY & DATE	CHK	ANG	±7'30"	FINISH		PREV	OLSPR112638
THIS DRAWING IN DESIGN AND DETAIL IS OUR PROPERTY AND MUST NOT BE USED EXCEPT IN CONNECTION WITH OUR WORK ALL RIGHTS OF DESIGN AND INVENTION ARE RESERVED THIS IS AN ELECTRONICALLY GENERATED DOCUMENT - DO NOT SCALE THIS PRINT				RFP		CAD FILE	107850LE	SIZE	DRAWING NO. PAGE OF
				DIST	WP			A	107850LE 02

HIGH VOLTAGE - C.C.W.

HIGH VOLTAGE CAPACITOR START  
NO OVERLOAD SELECT ROTATION



				✓ MAX. SURFACE ROUGHNESS UNLESS NOTED OTHERWISE	UNLESS OTHERWISE SPECIFIED DIMENSIONS ARE IN INCHES TOL. ON XX± .02 XXX± .005 XXXX± .0005 ANGLES± 7'30"		
				MATL SPEC			DRAWN BY B JW 03-06-2000
				FINISH			CHKD BY ML 03-06-2000
1	03-07-2000	NEW DRAWING	MU29743	B JW	REFERENCE DRW.	WAUSAU, WISCONSIN 54401	APPD BY SAT 03-07-2000
REV	DATE	CHANGE		NAME	PART NAME CONNECTION DIAGRAM		DRWG NO A- 102005-57T

SHOP BOOK	PURCHASED	DISTRIBUTION - WA - LB - WP - LM - BR	CADD FILE NO.	10200557T
-----------	-----------	---------------------------------------	---------------	-----------