

# PRODUCT INFORMATION PACKET

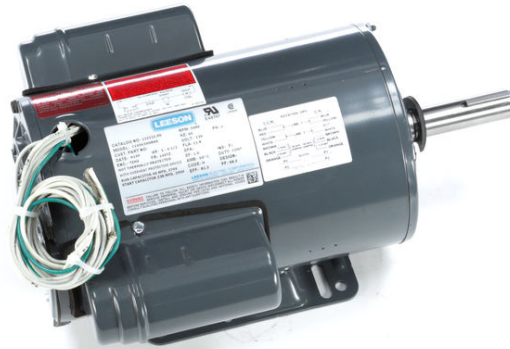


Model No: C182K34NB107A

Catalog No: 132392.00

..7.5 -10HP..3600RPM.182TZ.TEAO.230V.1PH.60HZ.CONT.50C.1.0SF.RIGID.....CROP DRYER.....

Crop Dryer



Regal and Leeson are trademarks of Regal Beloit Corporation or one of its affiliated companies.

©2018 Regal Beloit Corporation, All Rights Reserved. MC017097E



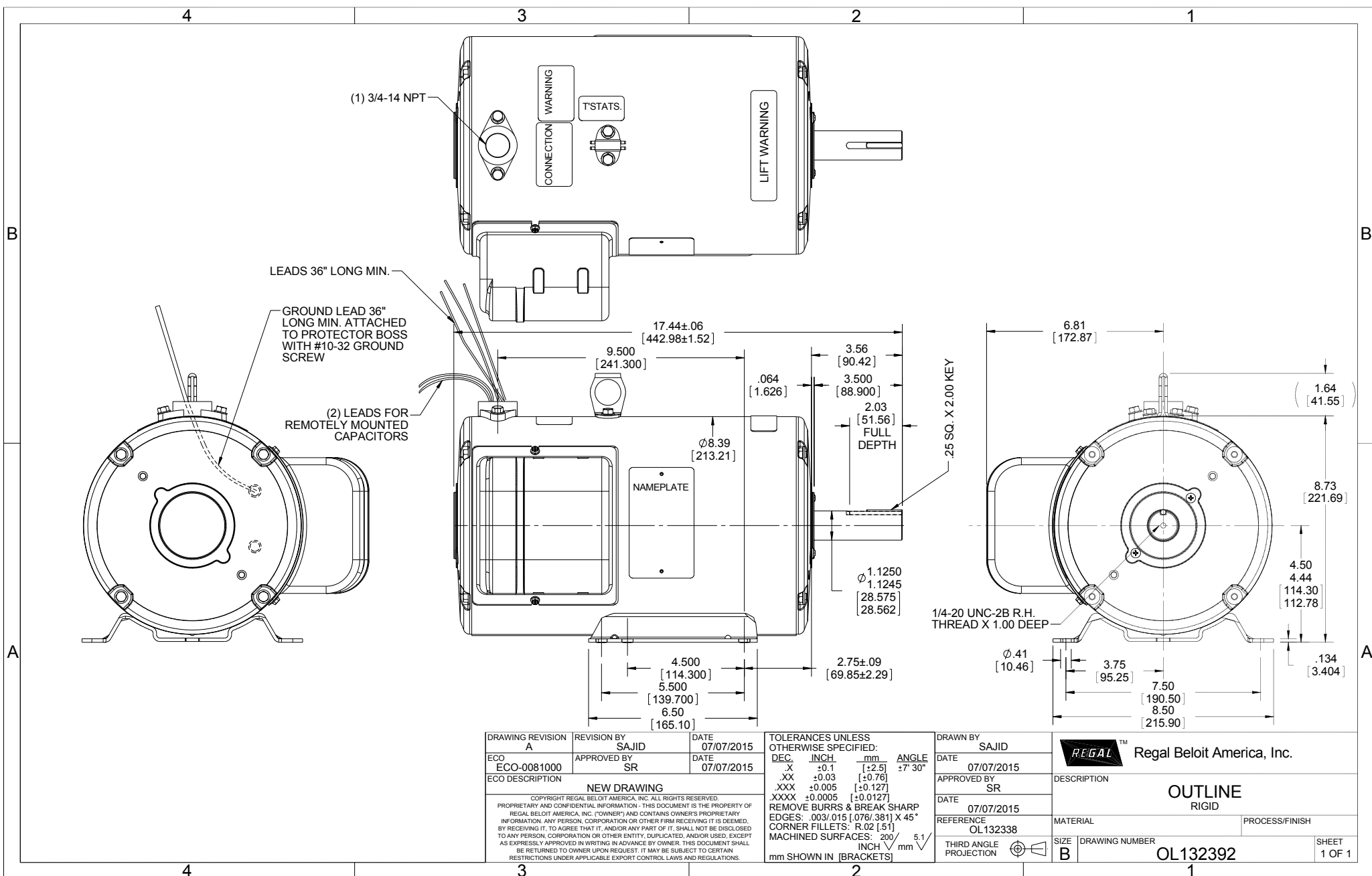


### Nameplate Specifications

Output HP	<b>7.50 Hp</b>	Output KW	<b>5.6 kW</b>
Frequency	<b>60 Hz</b>	Voltage	<b>230 V</b>
Current	<b>30.0 A</b>	Speed	<b>3450 rpm</b>
Service Factor	<b>1</b>	Phase	<b>1</b>
Efficiency	<b>85.5 %</b>	Duty	<b>Continuous</b>
Insulation Class	<b>F</b>	Design Code	<b>NO DESIGN CODE</b>
KVA Code	<b>F</b>	Frame	<b>182TZ</b>
Enclosure	<b>Totally Enclosed Air Over</b>	Overload Protector	<b>No</b>
Ambient Temperature	<b>40 °C</b>	Drive End Bearing Size	<b>6206</b>
Opp Drive End Bearing Size	<b>6205</b>	UL	<b>Recognized</b>
CSA	<b>Y</b>	CE	<b>N</b>
IP Code	<b>43</b>		

### Technical Specifications

Electrical Type	<b>Capacitor Start Capacitor Run</b>	Starting Method	<b>Across The Line</b>
Poles	<b>2</b>	Rotation	<b>Selective Counterclockwise</b>
Mounting	<b>Rigid base</b>	Motor Orientation	<b>HORIZONTAL</b>
Drive End Bearing	<b>BALL</b>	Opp Drive End Bearing	<b>BALL</b>
Frame Material	<b>Rolled Steel</b>	Shaft Type	<b>Single Special Extension</b>
Overall Length	<b>17.44 in</b>	Frame Length	<b>12.50 in</b>
Shaft Diameter	<b>1.125 in</b>	Shaft Extension	<b>3.5 in</b>
Assembly/Box Mounting	<b>F3</b>		
Outline Drawing	<b>OL132392</b>	Connection Diagram	<b>005018.42</b>

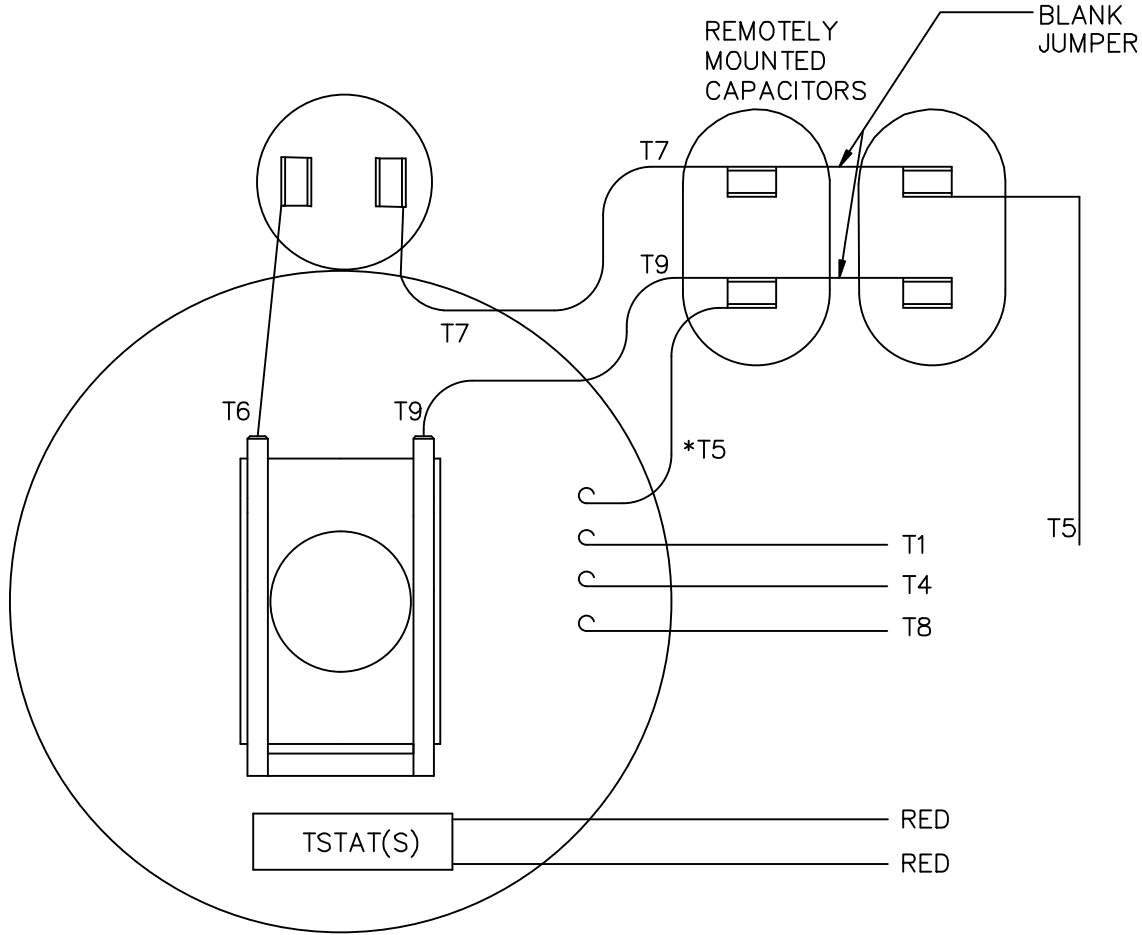


DRAWING REVISION A	REVISION BY SAJID	DATE 07/07/2015	TOLERANCES UNLESS OTHERWISE SPECIFIED:
ECO ECO-0081000	APPROVED BY SR	DATE 07/07/2015	DEC. INCH mm ANGLE -X ±0.1 [+2.5] ±7°-30° .XX ±0.03 [+0.76] .XXX ±0.005 [+0.127] XXXX ±0.0005 [+0.0127]
ECO DESCRIPTION NEW DRAWING			REMOVE BURRS & BREAK SHARP EDGES: .003/.015 [.076/.381] X 45° CORNER FILLETS: R.02 [.51] MACHINED SURFACES: 200 5.1 INCH mm √
<small>COPYRIGHT REGAL BELOIT AMERICA, INC. ALL RIGHTS RESERVED. PROPRIETARY AND CONFIDENTIAL INFORMATION - THIS DOCUMENT IS THE PROPERTY OF REGAL BELOIT AMERICA, INC. ("OWNER") AND CONTAINS OWNER'S PROPRIETARY INFORMATION. ANY PERSON, CORPORATION OR OTHER FIRM RECEIVING IT IS DEEMED, BY RECEIVING IT, TO AGREE THAT IT, AND/OR ANY PART OF IT, SHALL NOT BE DISCLOSED TO ANY PERSON, CORPORATION OR OTHER ENTITY, DUPLICATED, AND/OR USED, EXCEPT AS EXPRESSLY APPROVED IN WRITING IN ADVANCE BY OWNER. THIS DOCUMENT SHALL BE RETURNED TO OWNER UPON REQUEST. IT MAY BE SUBJECT TO CERTAIN RESTRICTIONS UNDER APPLICABLE EXPORT CONTROL LAWS AND REGULATIONS.</small>			mm SHOWN IN [BRACKETS]

DRAWN BY SAJID	DATE 07/07/2015	APPROVED BY SR	DATE 07/07/2015
REFERENCE OL132338	THIRD ANGLE PROJECTION	SIZE B	DRAWING NUMBER OL132392

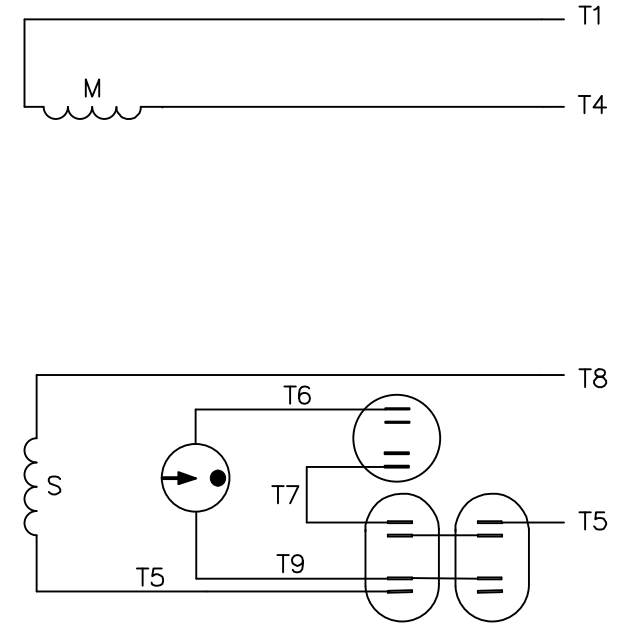
Regal Beloit America, Inc.	
DESCRIPTION <b>OUTLINE RIGID</b>	
MATERIAL	PROCESS/FINISH
SHEET 1 OF 1	

VIEW FROM OUTSIDE OF MOTOR AT SWITCH END.



\* THIS LEAD MAY BE WHITE

LINE LEADS



ROTATION  
FACING  
LEAD END

L1

L2

C.C.W.

T1,T8

T4,T5

C.W.

T1,T5

T4,T8

TOLERANCES  
UNLESS SPECIFIED

DEC. INCHES

.X ±.1

.XX ±.01

.XXX ±.005

.XXXX ±.0005

ANG ±1/2'



ELECTRIC MOTORS  
GEARMOTORS  
AND DRIVES

DRAWN UD 08/23/12

CHK JD 08/23/12

APPD

SCALE 1=1

REF EXSPR121291

FMF 132338.00

PREV

TITLE  
EXTERNAL WIRING DIAGRAM  
TYPE "K" W/O PROTECTOR

MAT'L. DECAL - 004018

FINISH TSTAT - 080582

01	ADDED NOTE FOR BLANK JUMPER	PVR 09/13/12	JD	.XXXX	±.0005
NO.	REVISION	BY & DATE	CHK	ANG	±1/2'

THIS DRAWING IN DESIGN AND DETAIL IS OUR PROPERTY AND MUST NOT BE USED EXCEPT IN CONNECTION WITH OUR WORK ALL RIGHTS OF DESIGN AND INVENTION ARE RESERVED THIS IS AN ELECTRONICALLY GENERATED DOCUMENT - DO NOT SCALE THIS PRINT

RFP  
DIST

CAD FILE 00501842

SIZE	DRAWING NO.	PAGE	OF	REV.
A	005018-42			01

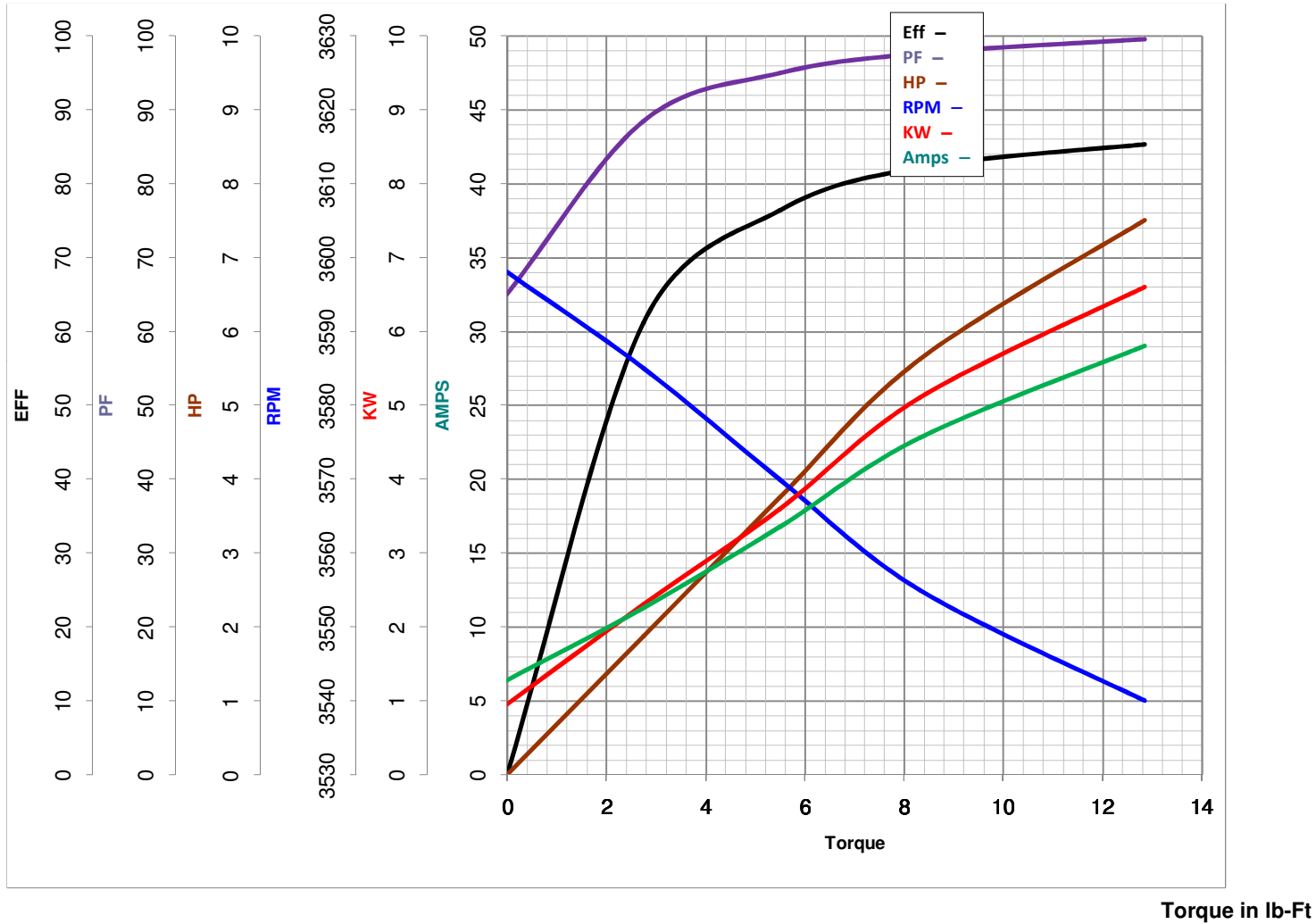


**LEESON ELECTRIC CORPORATION**  
 TYPICAL PERFORMANCE CURVE for AC MOTOR

Curve at 230 Volts      HP 7.50      PHASE 1  
60 HZ  
7.5 HP      VOLTS 230  
                                  HZ 60      RPM 3450

Model No 132392.00

Catalog No 132392.00



FL TORQUE 12.85 lb-Ft  
 BD TORQUE 36.0 lb-Ft  
 LR TORQUE 21 lb-Ft

FL AMPS 30  
 PU TORQUE 20.0 lb-Ft  
 LR AMPS 227

WINDING K8244-2

Date 3/26/2018