

PRODUCT INFORMATION PACKET



Model No: 141394.00
Catalog No: 141394.00
10 HP Crop Dryer Motor, 1 phase, 3600 RPM, 208-230 V, 215TZ Frame, TEFC
Crop Dryer Motors



Regal and Leeson are trademarks of Regal Beloit Corporation or one of its affiliated companies.
©2019 Regal Beloit Corporation, All Rights Reserved. MC017097E





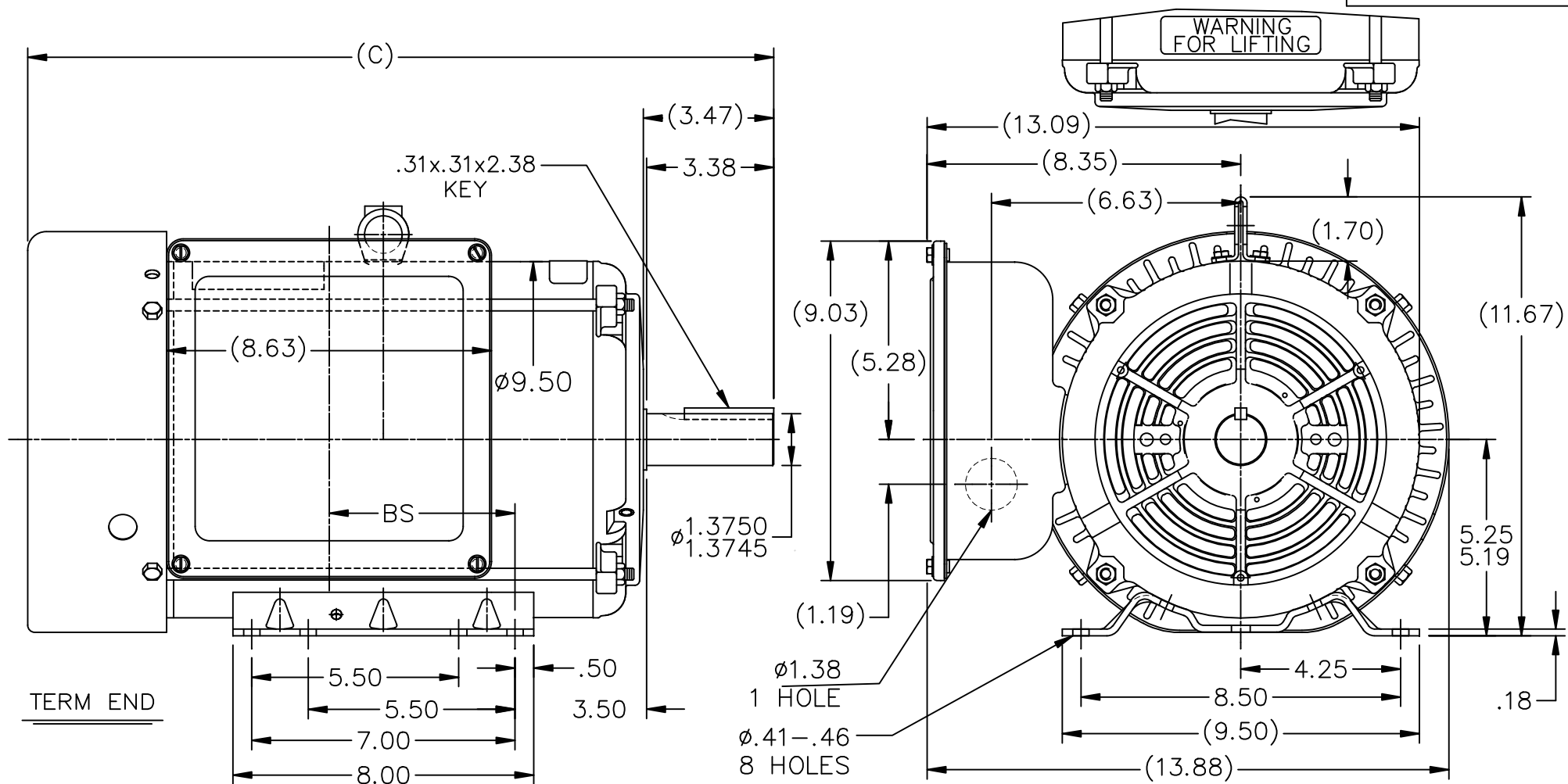
Nameplate Specifications

Output HP	10 Hp	Output KW	7.5 kW
Frequency	60 Hz	Voltage	208-230 V
Current	44.0-41.5 A	Speed	3500 rpm
Service Factor	1	Phase	1
Efficiency	83.8 %	Power Factor	93.2
Duty	Continuous	Insulation Class	F
Design Code	NO DESIGN CODE	KVA Code	G
Frame	215TZ	Enclosure	Totally Enclosed Fan Cooled
Thermal Protection	No	Ambient Temperature	40 °C
Drive End Bearing Size	6307	Opp Drive End Bearing Size	6206
UL	Recognized	CSA	Y
CE	N	IP Code	43

Technical Specifications

Electrical Type	Capacitor Start Capacitor Run	Starting Method	Across The Line
Poles	2	Rotation	Selective Counterclockwise
Resistance Main	0 Ohms	Mounting	Rigid Base
Motor Orientation	Horizontal	Drive End Bearing	Ball
Opp Drive End Bearing	Ball	Frame Material	Rolled Steel
Shaft Type	T	Overall Length	19.84 in
Frame Length	11.15 in	Shaft Diameter	1.375 in
Shaft Extension	3.47 in	Assembly/Box Mounting	F1 ONLY

This is an uncontrolled document once printed or downloaded and is subject to change without notice. Date Created:01/11/2019



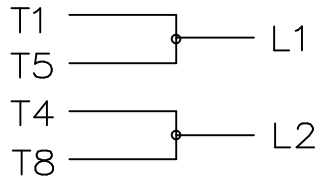
- NOTES:
 1. NAMEPLATE TO BE READ FROM C'BOX SIDE OF MOTOR.
 2. DASH 965 TO BE READ FROM OPPOSITE SHAFT END
 3. GENERIC OUTLINE, FARM DUTY MODELS INCLUDE SHAFT END SLINGER

DASH	FR.	C	BS
965	213T	18.34	3.44
1115	213/15T	19.84	4.94
1240	215T	21.09	6.19

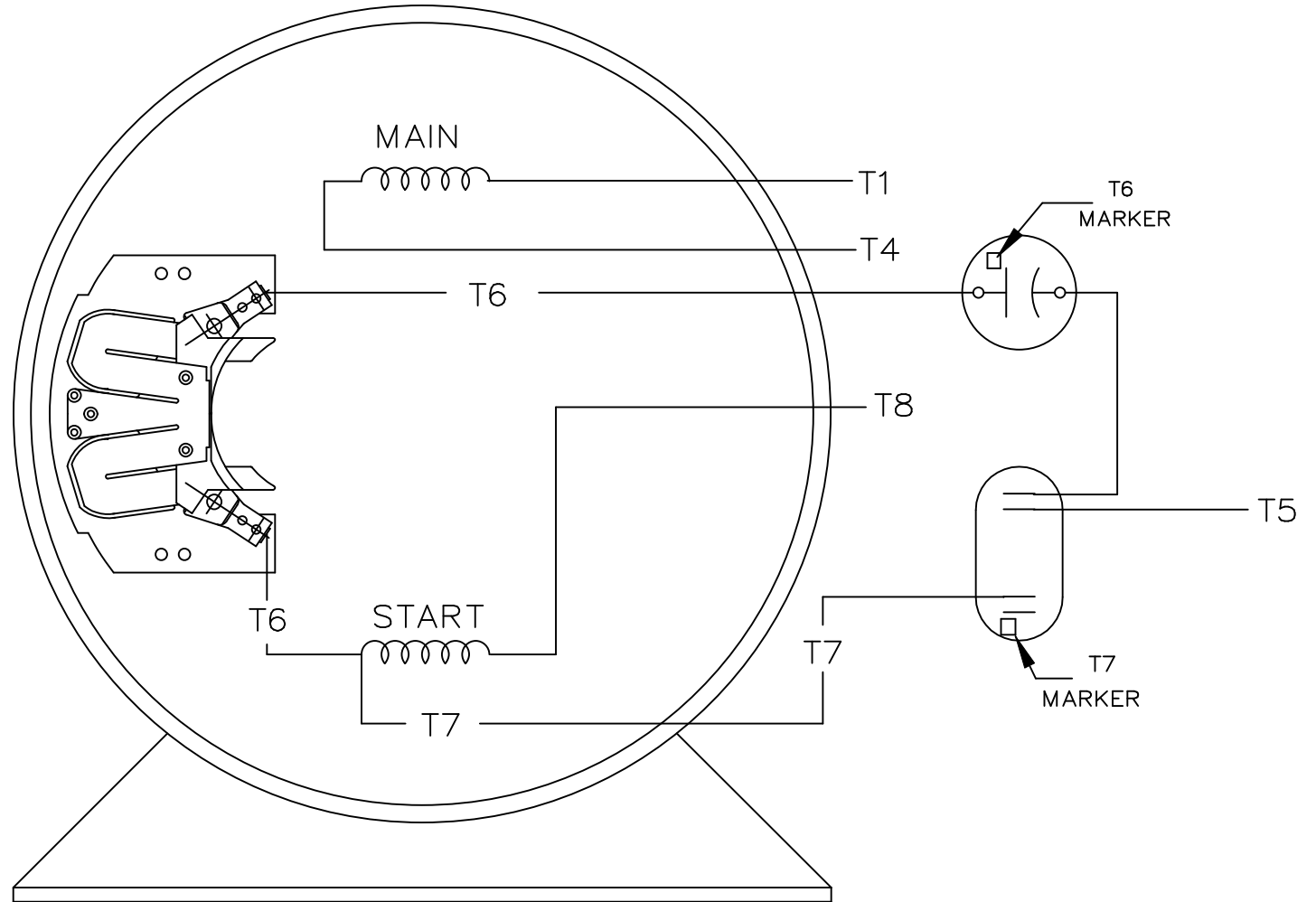
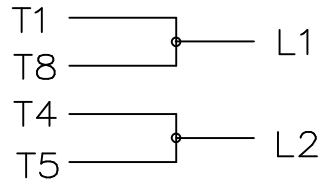
			TOLERANCES UNLESS SPECIFIED			DRAWN RJM 07-26-2002	
			DEC.	INCHES		CHK	ML 08-05-2002
			.X	±.1		APPD	JPL 08-02-2002
3	ADDED NOTE 3	KVN 11/9/2009	.XX	±.03	TITLE OUTLINE	SCALE	1=4
2	ADDED NOTE 2 CN 31881	DRS 10-21-2002	ML	.XXX ±.005	210 FR. - TEFC - 1 PHASE	REF	
1	NEW DRAWING - DES/DEV	RJM 08-02-2002		.XXXX ±.0005	MAT'L.	FMF	
NO.	REVISION	BY & DATE	CHK	ANG	FINISH	PREV	
			RFP		CAD FILE ss88687le		SIZE
			DIST	LB			DRAWING NO.
							SS88687LE
							PAGE
							OF
							REV.
							3

THIS DRAWING IN DESIGN AND DETAIL IS OUR PROPERTY AND MUST NOT BE USED EXCEPT IN CONNECTION WITH OUR WORK ALL RIGHTS OF DESIGN AND INVENTION ARE RESERVED THIS IS AN ELECTRONICALLY GENERATED DOCUMENT - DO NOT SCALE THIS PRINT

C.W. ROTATION




C.C.W. ROTATION



SINGLE VOLTAGE
CAPACITOR START
CAPACITOR RUN
REVERSIBLE

VIEW OF TERMINAL END

				TOLERANCES UNLESS SPECIFIED		 ELECTRIC MOTORS GEARMOTORS AND DRIVES	DRAWN RJM 07-25-2002	
				DEC.	INCHES		CHK	
				.X	±.1		APPD	
				.XX	±.02		SCALE	1=1
				.XXX	±.005		REF	
1	NEW DRAWING - DES/DEV	RJM		.XXXX	±.0005	MAT'L.	FMF	
NO.	REVISION	BY & DATE	CHK	ANG	±7'30"	FINISH	PREV	
THIS DRAWING IN DESIGN AND DETAIL IS OUR PROPERTY AND MUST NOT BE USED EXCEPT IN CONNECTION WITH OUR WORK ALL RIGHTS OF DESIGN AND INVENTION ARE RESERVED THIS IS AN ELECTRONICALLY GENERATED DOCUMENT - DO NOT SCALE THIS PRINT				RFP	CAD FILE EE9048MF-LE		SIZE	DRAWING NO. PAGE OF REV.
				DIST LB			A	EE9048MF-LE 1 1