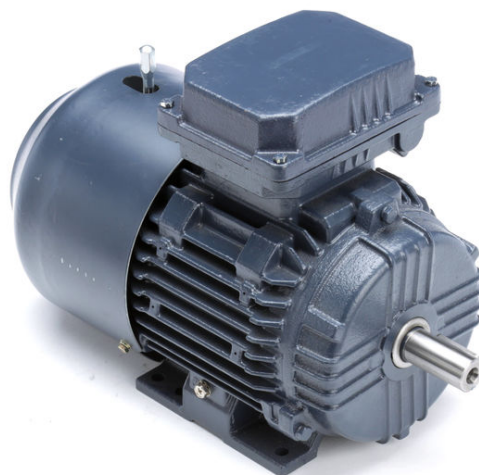


# PRODUCT INFORMATION PACKET



Model No: 194226.00  
Catalog No: 194226.00  
4 HP Definite Purpose AC, 3 phase, 1800 RPM, 230/460 V, 112M Frame, TEFC  
IEC Definite Purpose AC Brake Motors



Regal and Leeson are trademarks of Regal Beloit Corporation or one of its affiliated companies.  
©2019 Regal Beloit Corporation, All Rights Reserved. MC017097E

The Regal logo is positioned in the bottom right area of the page. It features the word "REGAL" in a white, bold, sans-serif font, set against a dark grey, trapezoidal background. The background of the entire page on the right side is a blue gradient with a halftone dot pattern.



### Nameplate Specifications

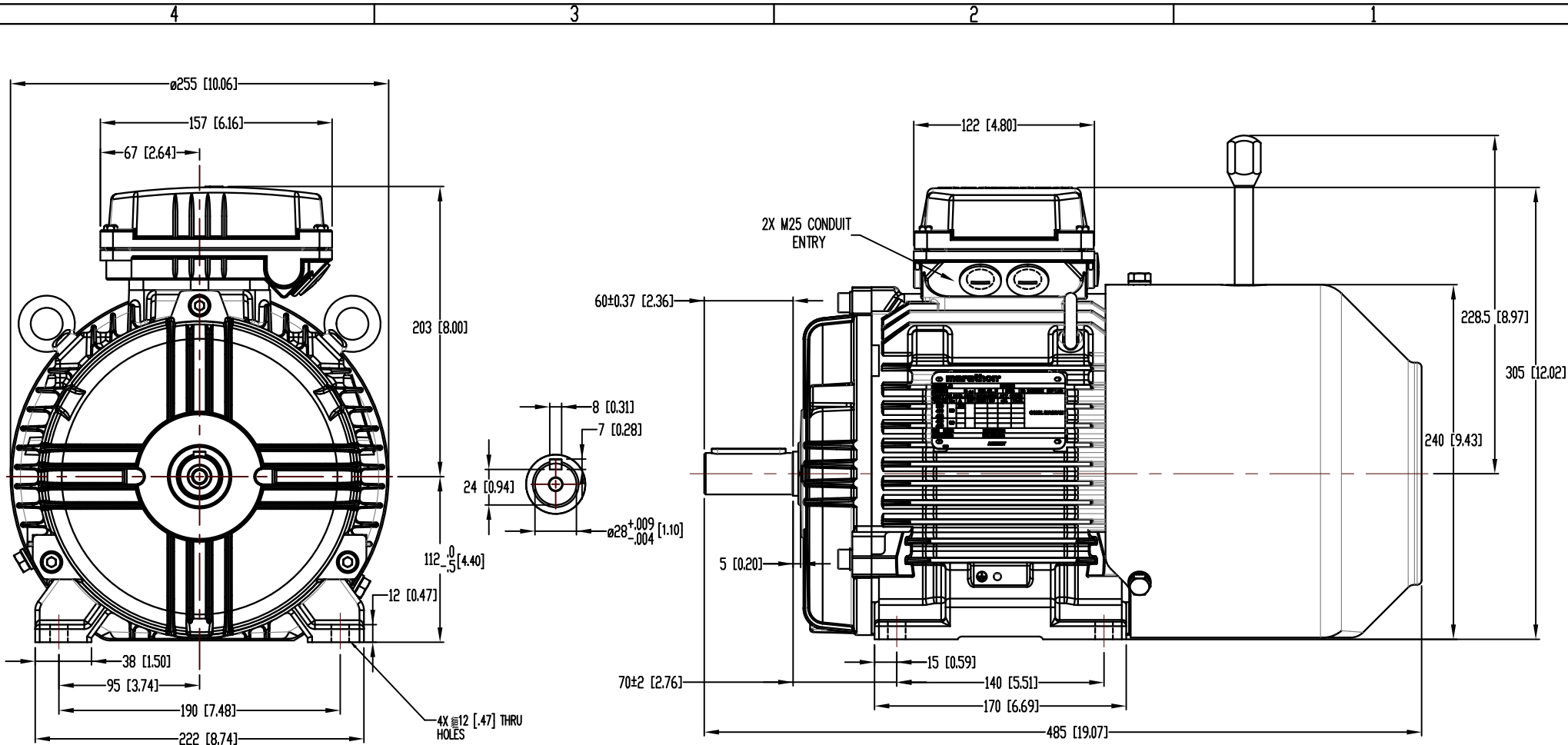
Output HP	<b>4 Hp</b>	Output KW	<b>3.0 kW</b>
Frequency	<b>60 Hz</b>	Voltage	<b>230/460 V</b>
Current	<b>10.6/5.3 A</b>	Speed	<b>1760 rpm</b>
Service Factor	<b>1.15</b>	Phase	<b>3</b>
Efficiency	<b>89.5 %</b>	Power Factor	<b>80</b>
Duty	<b>Continuous</b>	Insulation Class	<b>F</b>
Design Code	<b>No Design Code</b>	KVA Code	<b>K</b>
Frame	<b>112M</b>	Enclosure	<b>Totally Enclosed Fan Cooled</b>
Thermal Protection	<b>No</b>	Ambient Temperature	<b>40 °C</b>
Drive End Bearing Size	<b>6206</b>	Opp Drive End Bearing Size	<b>6206</b>
UL	<b>Recognized</b>	CSA	<b>Y</b>
CE	<b>Y</b>	IP Code	<b>55</b>

### Technical Specifications

Electrical Type	<b>Squirrel Cage Induction Run</b>	Starting Method	<b>Across The Line</b>
Poles	<b>4</b>	Rotation	<b>Reversible</b>
Resistance Main	<b>0 Ohms</b>	Mounting	<b>B3</b>
Motor Orientation	<b>Horizontal</b>	Drive End Bearing	<b>Ball</b>
Opp Drive End Bearing	<b>Ball</b>	Frame Material	<b>Cast Iron</b>
Shaft Type	<b>IEC</b>	Overall Length	<b>19.09 in</b>
Frame Length	<b>6.85 in</b>	Shaft Diameter	<b>1.111 in</b>
Shaft Extension	<b>2.36 in</b>	Assembly/Box Mounting	<b>F3</b>

This is an uncontrolled document once printed or downloaded and is subject to change without notice. Date Created:01/11/2019

Uncontrolled Copy

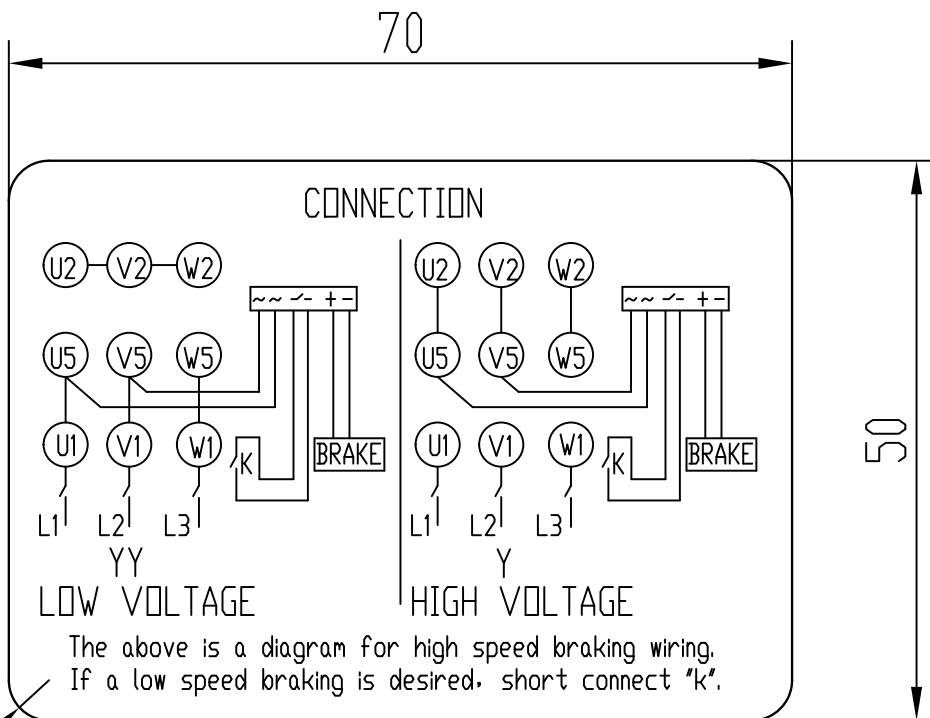


Type	Poles	Output		Voltage (V)	I (A)	Frequency (Hz)	Speed (r/min)	Eff.(%)	Power Factor	Ist/In	Tst/Tn	Tmax/Tn	Ins.	CONN (stator)	Duty	SF	IM	IC	IP	Bearing	
		(HP)	(kW)																	DE	NDE
TCA 112M04	4	4	3	230/460	10.5/5.25	60	1760	IE3-89.5	0.80	7.8	2.1	2.8	F	YY/Y	S1	1.15	B3	411	55	6306ZCC3	6206ZCC3

AMB -20~+40°C  
 Brake Torque: 60 Nm

DRAWING REVISION	REVISION BY	DATE
ECO	APPROVED BY	DATE
ECO DESCRIPTION		
<small>COPYRIGHT REGAL BELT AMERICA, INC. ALL RIGHTS RESERVED. PROPRIETARY AND CONFIDENTIAL INFORMATION - THIS DOCUMENT IS THE PROPERTY OF REGAL BELT AMERICA, INC. ("OWNER") AND CONTAINS OWNER'S PROPRIETARY INFORMATION. ANY PERSON, CORPORATION OR OTHER FIRM RECEIVING IT IS DEEMED, BY RECEIVING IT, TO AGREE THAT IT AND/OR ANY PART OF IT, SHALL NOT BE DISCLOSED TO ANY PERSON, CORPORATION OR OTHER ENTITY, DUPLICATED, AND/OR USED, EXCEPT AS EXPRESSLY APPROVED IN WRITING IN ADVANCE BY OWNER. THIS DOCUMENT SHALL BE RETURNED TO OWNER UPON REQUEST. IT MAY BE SUBJECT TO CERTAIN RESTRICTIONS UNDER APPLICABLE EXPORT CONTROL LAWS AND REGULATIONS.</small>		

DRAWN BY UDAY		DESCRIPTION 112 FR.- B3 BRAKE MTG. MOTOR TYPE: TCA	
DATE 23/3/2016			
APPROVED BY SBO			
DATE 23/3/2016			
REFERENCE	MATERIAL	PROCESS/FINISH	
THIRD ANGLE PROJECTION	SIZE B	DRAWING NUMBER OG11200531	SHEET 1 OF 1



R3

- NOTES:
1. Characters, marks and lines are black; CONNECTION, LOW VOLTAGE, HIGH VOLTAGE, YY, Y size 2.5, other letters size 1.8

DRAWING REVISION	REVISION BY	DATE
ECD	APPROVED BY	DATE
ECD DESCRIPTION		

COPYRIGHT REGAL BELOIT AMERICA, INC. ALL RIGHTS RESERVED.  
PROPRIETARY AND CONFIDENTIAL INFORMATION - THIS DOCUMENT IS THE PROPERTY OF  
REGAL BELOIT AMERICA, INC. (OWNER) AND CONTAINS OWNER'S PROPRIETARY  
INFORMATION. ANY PERSON, CORPORATION OR OTHER FIRM RECEIVING IT IS DEEMED,

DRAWN BY	Wu Shunrui
DATE	13/06/2016
APPROVED BY	Suresh Datal
DATE	13/06/2016
REFERENCE	

<b>REGAL</b> ™ Regal Beloit America, Inc.	
DESCRIPTION Connection diagram (LEESON)	
4 of 4	MATERIAL
PROCESS/FINISH	