

# PRODUCT INFORMATION PACKET



Model No: A4K17DJ13A

Catalog No: E100011.00

1/2HP..1725RPM.S56.DP.115/230V.1PH.60HZ.CONT.40C.1.25SF.RESILIENT BASE....AUTOMATIC.....

Open Drip Proof (ODP)



Regal and Leeson are trademarks of Regal Beloit Corporation or one of its affiliated companies.

©2018 Regal Beloit Corporation, All Rights Reserved. MC017097E





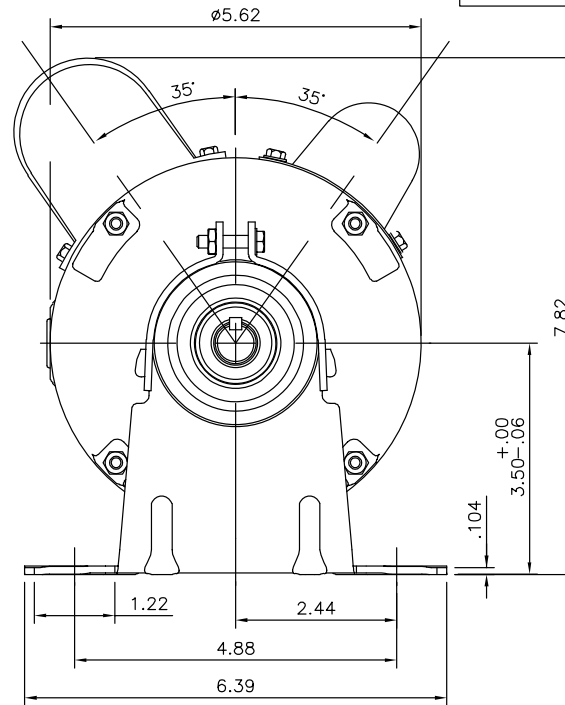
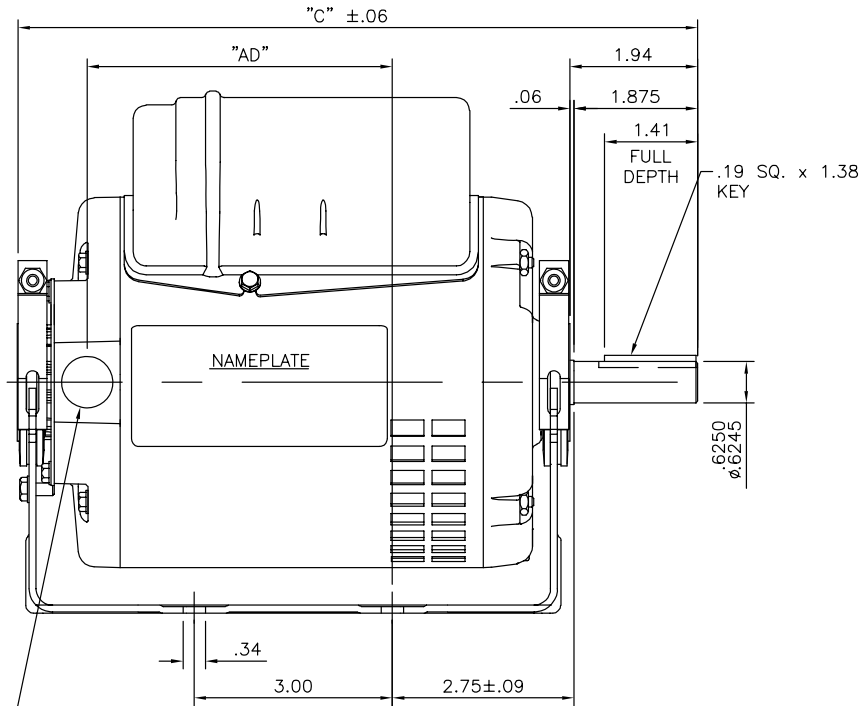
### Nameplate Specifications

|                            |                   |                        |                   |
|----------------------------|-------------------|------------------------|-------------------|
| Output HP                  | <b>0.50 Hp</b>    | Output KW              | <b>0.37 kW</b>    |
| Frequency                  | <b>60 Hz</b>      | Voltage                | <b>115/230 V</b>  |
| Current                    | <b>4.6/2.3 A</b>  | Speed                  | <b>1745 rpm</b>   |
| Service Factor             | <b>1.25</b>       | Phase                  | <b>1</b>          |
| Efficiency                 | <b>76.2 %</b>     | Duty                   | <b>Continuous</b> |
| Insulation Class           | <b>B</b>          | Design Code            | <b>N</b>          |
| KVA Code                   | <b>K</b>          | Frame                  | <b>S56</b>        |
| Enclosure                  | <b>Drip Proof</b> | Overload Protector     | <b>Automatic</b>  |
| Ambient Temperature        | <b>40 °C</b>      | Drive End Bearing Size | <b>6203</b>       |
| Opp Drive End Bearing Size | <b>6203</b>       | UL                     | <b>Recognized</b> |
| CSA                        | <b>Y</b>          | CE                     | <b>Y</b>          |
| IP Code                    | <b>12</b>         |                        |                   |

### Technical Specifications

|                       |                                      |                       |                                   |
|-----------------------|--------------------------------------|-----------------------|-----------------------------------|
| Electrical Type       | <b>Capacitor Start Capacitor Run</b> | Starting Method       | <b>Across The Line</b>            |
| Poles                 | <b>4</b>                             | Rotation              | <b>Selective Counterclockwise</b> |
| Mounting              | <b>Resilient Base</b>                | Motor Orientation     | <b>HORIZONTAL</b>                 |
| Drive End Bearing     | <b>BALL</b>                          | Opp Drive End Bearing | <b>BALL</b>                       |
| Frame Material        | <b>Rolled Steel</b>                  | Shaft Type            | <b>NEMA 56</b>                    |
| Overall Length        | <b>12.31 in</b>                      | Frame Length          | <b>7.50 in</b>                    |
| Shaft Diameter        | <b>0.625 in</b>                      | Shaft Extension       | <b>1.88 in</b>                    |
| Assembly/Box Mounting | <b>F1 ONLY</b>                       |                       |                                   |
| Outline Drawing       | <b>SS404125-750</b>                  | Connection Diagram    | <b>005053.40</b>                  |

SS404125



1/2-14 NPT  
CONDUIT HOLE  
(PLUGGED)

| DASH NO. | "C"   | "AD" |
|----------|-------|------|
| 700      | 11.81 | 6.12 |
| 750      | 12.31 | 6.62 |
|          |       |      |
|          |       |      |

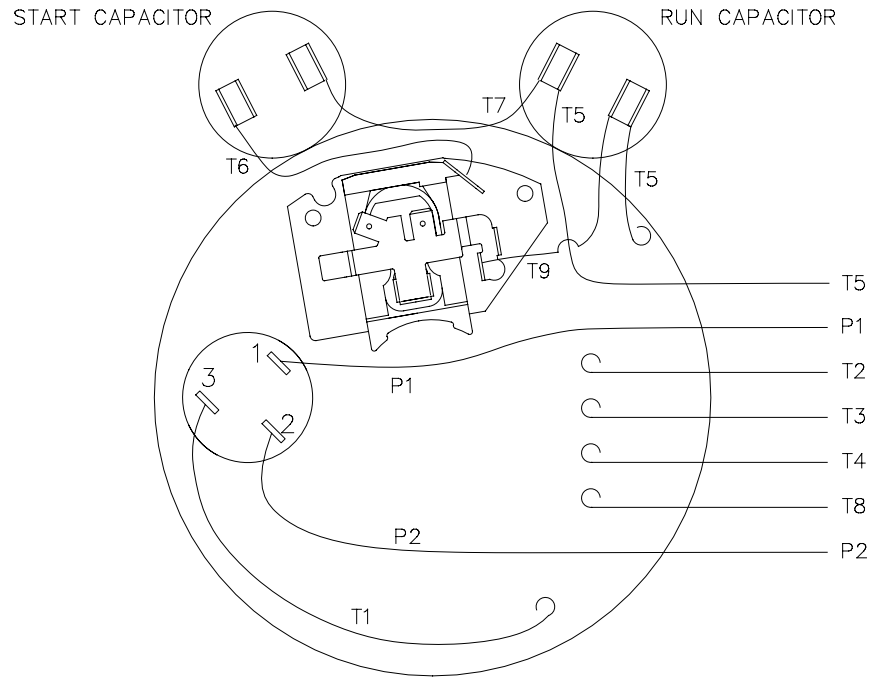
| NO.  | REVISION | BY & DATE | CHK | TOLERANCES UNLESS SPECIFIED |                   | DRAWN PVR 12/19/14                |
|--|----------|-----------|-----|-----------------------------|-------------------|-----------------------------------|
|  |          |           |     | DEC.                        | INCHES            |                                   |
|  |          |           |     | .X                          | ±.1               | CHK VS 12/19/14                   |
|  |          |           |     | .XX                         | ±.03              | APPD                              |
|  |          |           |     | .XXX                        | ±.005             | SCALE NTS                         |
|  |          |           |     | .XXXX                       | ±.0005            | REF 031623                        |
|  |          |           |     | ANG                         | ±7'30"            | FMF                               |
| THIS DRAWING IN DESIGN AND DETAIL IS OUR PROPERTY AND MUST NOT BE USED EXCEPT IN CONNECTION WITH OUR WORK ALL RIGHTS OF DESIGN AND INVENTION ARE RESERVED THIS IS AN ELECTRONICALLY GENERATED DOCUMENT - DO NOT SCALE THIS PRINT |          |           |     |                             |                   | PREV                              |
|  |          |           |     | RFP                         | CAD FILE SS404125 | SIZE DRAWING NO. PAGE 1 OF 1 REV. |
|  |          |           |     | DIST WP                     |                   | A SS404125                        |



Regal Beloit America, Inc.

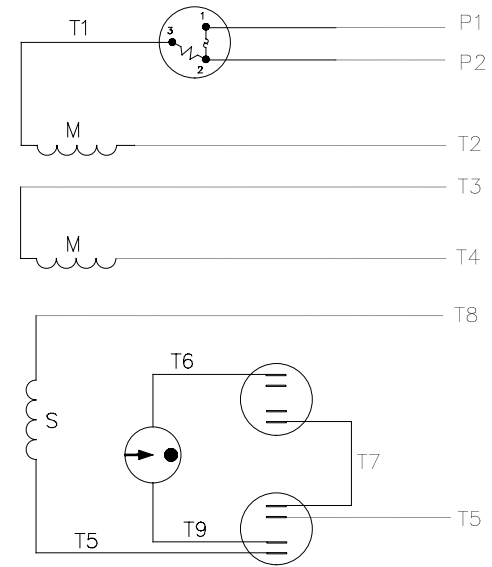
TITLE OUTLINE  
S56 FRAME ROUND MOUNT - DRIP PROOF

005053-40



VIEW FROM OUTSIDE OF MOTOR AT SWITCH END

LINE LEADS



|              | ROTATION<br>FACING<br>LEAD END | L1 | L2           | JOIN         | INSULATE<br>SEPARATE |
|--------------|--------------------------------|----|--------------|--------------|----------------------|
| HIGH<br>VOLT | C.C.W.                         | P1 | T4, T5       | T2, T3<br>T8 | P2                   |
|              | C.W.                           | P1 | T4, T8       | T2, T3<br>T5 | P2                   |
| LOW<br>VOLT  | C.C.W.                         | P1 | T2, T4<br>T5 | P2<br>T3, T8 | ---                  |
|              | C.W.                           | P1 | T2, T4<br>T8 | P2<br>T3, T5 | ---                  |

| NO. | CHANGED               | REVISION | BY & DATE  | CHK | ANG  | TOLERANCES<br>UNLESS SPECIFIED | TOLERANCES<br>UNLESS SPECIFIED |        |
|-----|-----------------------|----------|------------|-----|------|--------------------------------|--------------------------------|--------|
|     |                       |          |            |     |      |                                | DEC.                           | INCHES |
|     |                       |          |            |     |      | .X                             | ±.1                            |        |
|     |                       |          |            |     |      | .XX                            | ±.01                           |        |
|     |                       |          |            |     |      | .XXX                           | ±.005                          |        |
| A   | CHANGED LOGO TO REGAL |          | PST 2/1/16 | SKM | .XXX | ±.0005                         |                                |        |
|     |                       |          |            | CHK | ANG  | ±1/2°                          |                                |        |

**REGAL**™ Regal Beloit America, Inc.

DRAWN PG 7/2/02

CHK

APPD

TITLE EXTERNAL WIRING DIAGRAM  
TYPE "K" W/PROTECTOR

SCALE 5=8

MAT'L. DUAL VOLTAGE - DUAL ROTATION

REF 005053.01

FINISH

FMF 102827.00

PREV

THIS DRAWING IN DESIGN AND DETAIL IS OUR PROPERTY AND MUST NOT BE USED EXCEPT IN CONNECTION WITH OUR WORK ALL RIGHTS OF DESIGN AND INVENTION ARE RESERVED THIS IS AN ELECTRONICALLY GENERATED DOCUMENT - DO NOT SCALE THIS PRINT

RFP

CAD FILE 00505340

SIZE A

DRAWING NO. 005053-40

REV. A



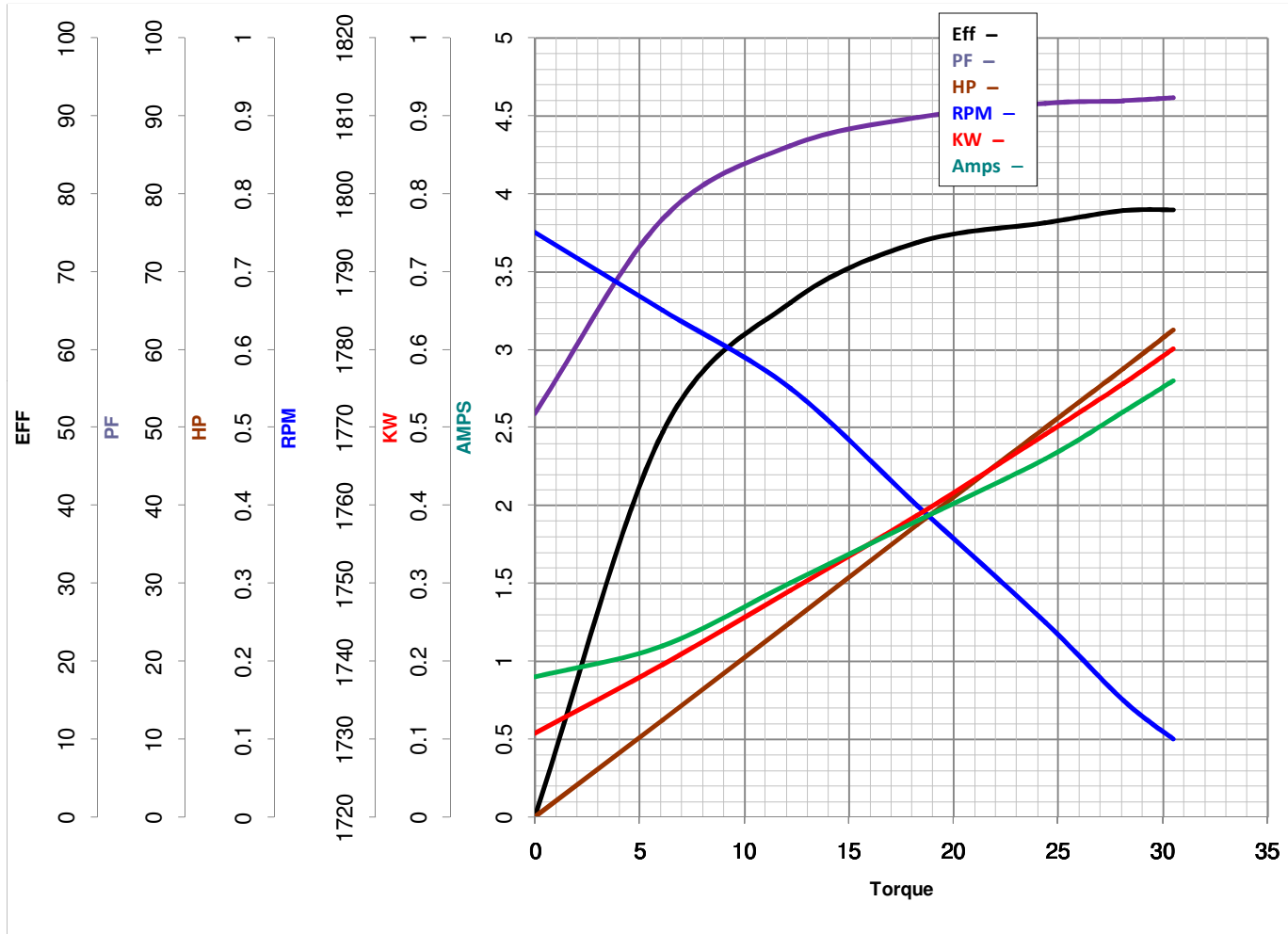
**LEESON ELECTRIC CORPORATION**  
 TYPICAL PERFORMANCE CURVE for AC MOTOR

Model No E100011.00

Curve at 230 Volts      HP 0.50      PHASE 1  
60 HZ  
0.5 HP      VOLTS 115/230

Catalog No E100011.00

HZ 60      RPM 1745



Torque in Oz.Ft

FL TORQUE 24.4 Oz.Ft  
 BD TORQUE 60.4 Oz.Ft  
 LR TORQUE 75.6 Oz.Ft

FL AMPS 4.6/2.3  
 PU TORQUE 75.4 Oz.Ft  
 LR AMPS 17.7

WINDING BE484110-3

Date 3/21/2018