

# PRODUCT INFORMATION PACKET



Model No: M56B17DRS70006A3A

Catalog No: E119859.00

.3/4HP..1725RPM.56.DP.115/208-230V.1PH.60HZ.CONT.40C.1.0SF.RESILIENT BASE...MANUAL.....

Open Drip Proof (ODP)



Regal and Leeson are trademarks of Regal Beloit Corporation or one of its affiliated companies.

©2018 Regal Beloit Corporation, All Rights Reserved. MC017097E



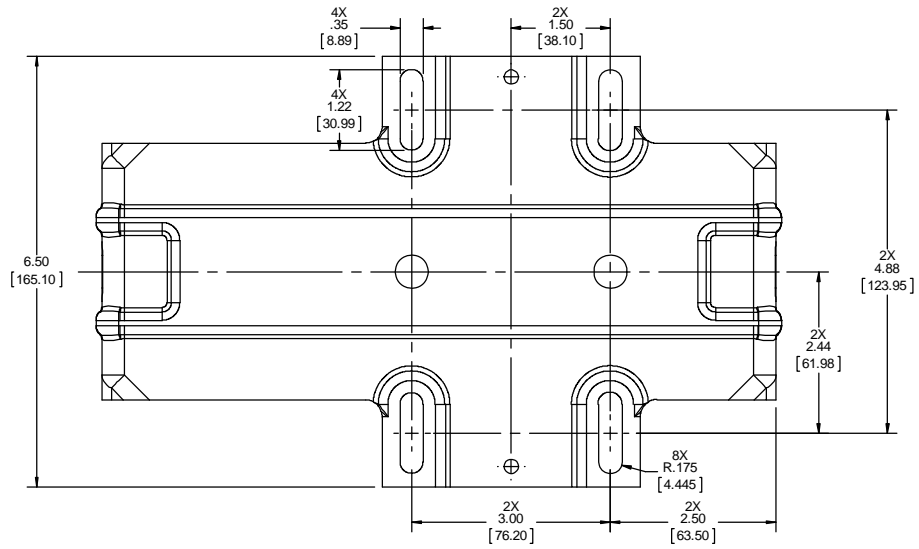
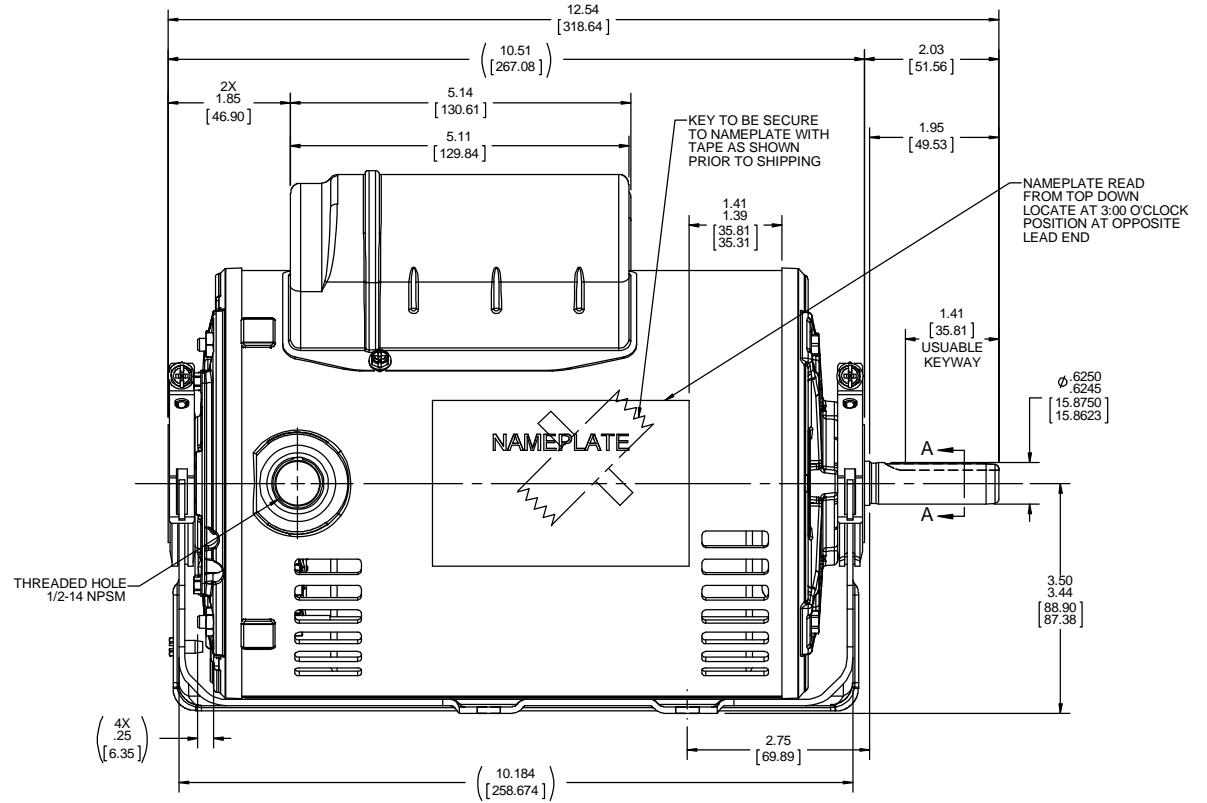
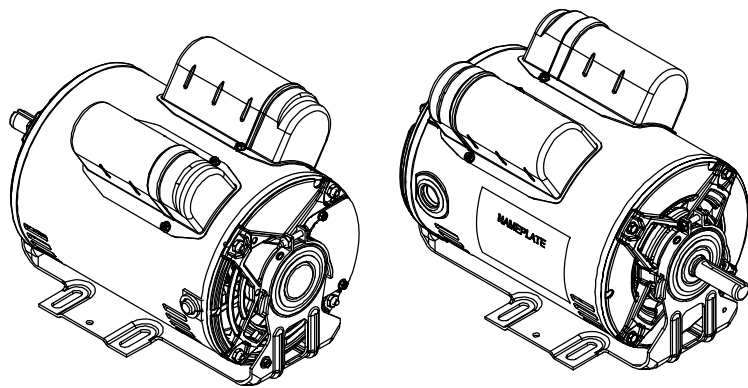
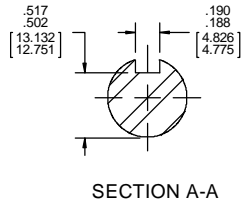
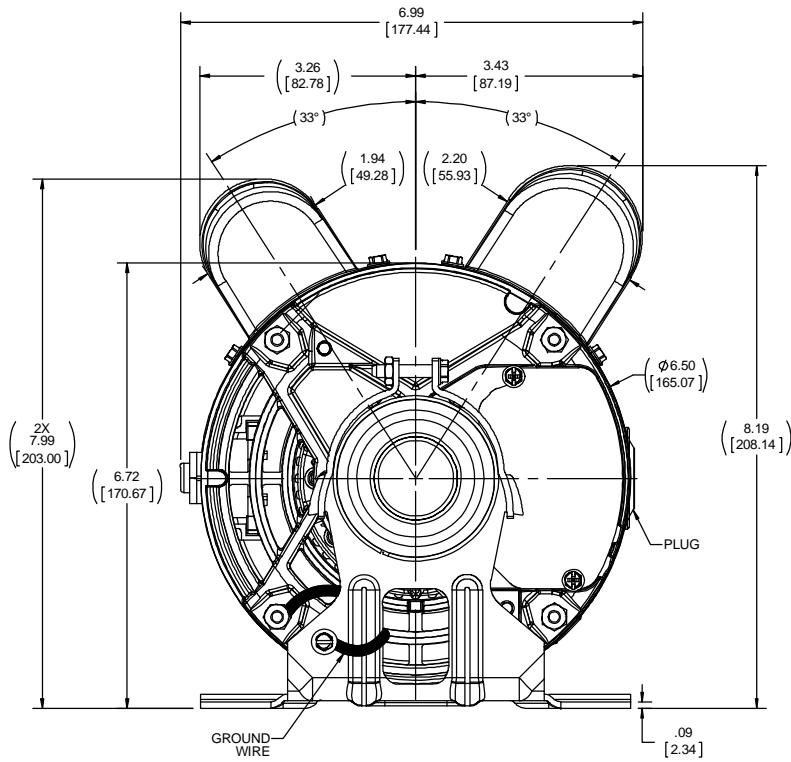


### Nameplate Specifications

Output HP	<b>0.75 Hp</b>	Output KW	<b>0.56 kW</b>
Frequency	<b>60 Hz</b>	Voltage	<b>115/208-230 V</b>
Current	<b>6.6/3.5-3.3 A</b>	Speed	<b>1725 rpm</b>
Service Factor	<b>1.25</b>	Phase	<b>1</b>
Efficiency	<b>81.8 %</b>	Duty	<b>Continuous</b>
Insulation Class	<b>B</b>	Design Code	<b>N</b>
KVA Code	<b>L</b>	Frame	<b>56</b>
Enclosure	<b>Drip Proof</b>	Overload Protector	<b>Manual</b>
Ambient Temperature	<b>40 °C</b>	Drive End Bearing Size	<b>6203</b>
Opp Drive End Bearing Size	<b>6203</b>	UL	<b>Recognized</b>
CSA	<b>Y</b>	CE	<b>Y</b>
IP Code	<b>22</b>		

### Technical Specifications

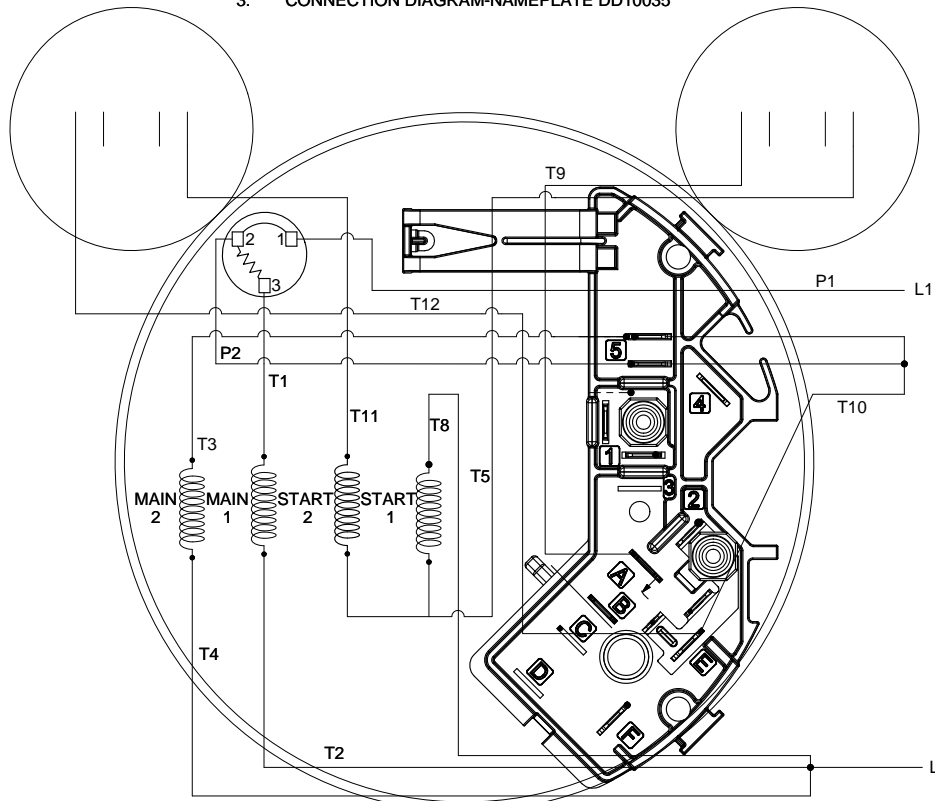
Electrical Type	<b>Capacitor Start Capacitor Run</b>	Starting Method	<b>Across The Line</b>
Poles	<b>4</b>	Rotation	<b>Selective Counterclockwise</b>
Mounting	<b>Resilient Base</b>	Motor Orientation	<b>HORIZONTAL</b>
Drive End Bearing	<b>BALL</b>	Opp Drive End Bearing	<b>BALL</b>
Frame Material	<b>Rolled Steel</b>	Shaft Type	<b>NEMA 56</b>
Overall Length	<b>12.54 in</b>	Frame Length	<b>8.15 in</b>
Shaft Diameter	<b>0.625 in</b>	Shaft Extension	<b>1.88 in</b>
Assembly/Box Mounting	<b>F1 ONLY</b>		
Outline Drawing	<b>OL56100203-001</b>	Connection Diagram	<b>CDBD108</b>



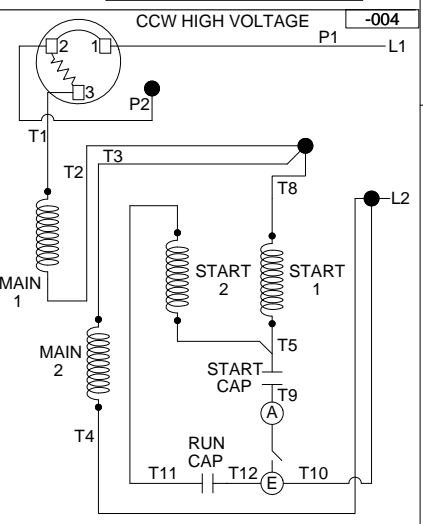
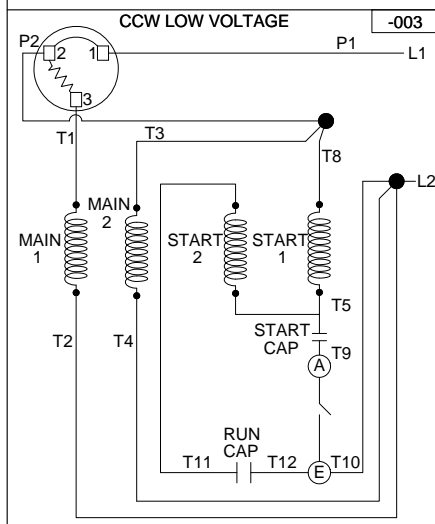
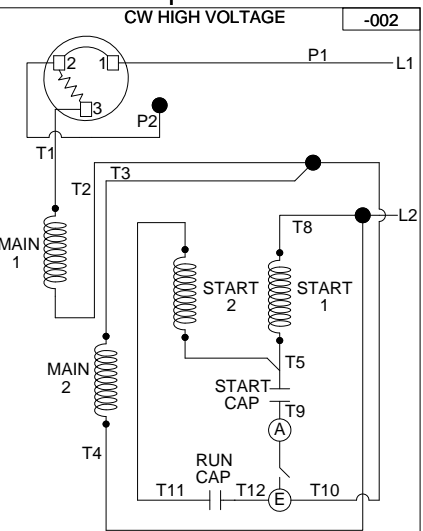
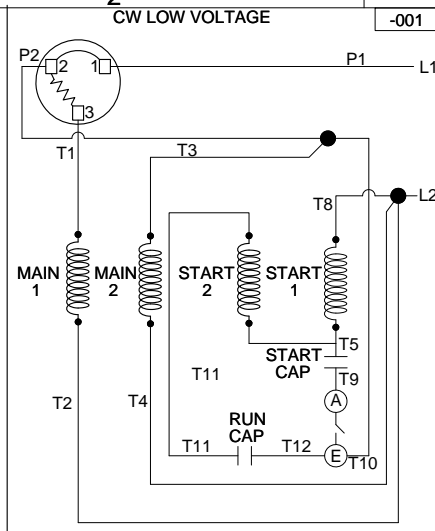
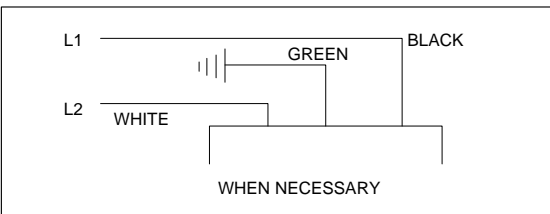
DRAWING REVISION B	REVISION BY E VILLA	DATE 07-03-2017	TOLERANCES UNLESS OTHERWISE SPECIFIED: DEC. INCH mm ANGLE .X ±0.1 [2.5] ±0.5° .XX ±0.03 [0.76] .XXX ±0.005 [±0.127] .XXXX ±0.0005 [±0.0127] REMOVE BURRS & BREAK SHARP EDGES: .0031 [0.078] X 45° CORNER FILLETS: R.02 [51] MACHINED SURFACES: .125 / 3.2 INCH/ mmv	DRAWN BY D.VALENCIANO	Regal Beloit America, Inc.
ECO ECO-0126506	APPROVED BY	DATE	DATE 11-25-2016	DESCRIPTION 56FR.ODP,1-PHASE,RESILIENT	
ECO DESCRIPTION UPDATED DRAWING COPYRIGHT REGAL BELOIT AMERICA, INC. ALL RIGHTS RESERVED. PROPRIETARY AND CONFIDENTIAL INFORMATION. THIS DOCUMENT IS THE PROPERTY OF REGAL BELOIT AMERICA, INC. OWNERS AND CONTAINS OWNERS PROPRIETARY INFORMATION. ANY PERSON, CORPORATION OR OTHER FIRM RECEIVING IT IS DEEMED BY RECEIVING IT, TO AGREE THAT IT, AND/OR ANY PART OF IT, SHALL NOT BE DISCLOSED TO ANY PERSON, CORPORATION OR OTHER ENTITY, DUPLICATED, AND/OR USED, EXCEPT AS EXPRESSLY APPROVED IN WRITING IN ADVANCE BY OWNER. THIS DOCUMENT SHALL BE RETURNED TO OWNER UPON REQUEST. IT MAY BE SUBJECT TO CERTAIN RESTRICTIONS UNDER APPLICABLE EXPORT CONTROL LAWS AND REGULATIONS.			DATE 11-25-2016	REFERENCE	PROCESS/FINISH
			THIRD ANGLE PROJECTION	SIZE C	DRAWING NUMBER OL56100203-001
					SHEET 1 OF 1

NOTE:

1. TO REVERSE ROTATION, INTERCHANGE T8 & T10.
2. TERMINAL BOARD ASSY 10003284-001-001
3. CONNECTION DIAGRAM-NAMEPLATE DD10035



CW ROTATION CAP START CAP RUN DUAL VOLTAGE



DRAWING REVISION B	REVISION BY R.KAESTNER	DATE 11-03-2016
ECO ECO-0112482	APPROVED BY S.LALSARE	DATE 11-03-2016
ECO DESCRIPTION ADD VIEW SHOWING GROUND WIRE		
<small>           COPYRIGHT REGAL BELOIT AMERICA, INC. ALL RIGHTS RESERVED.            PROPRIETARY AND CONFIDENTIAL INFORMATION - THIS DOCUMENT IS THE PROPERTY OF            REGAL BELOIT AMERICA, INC. (OWNER) AND CONTAINS OWNER'S PROPRIETARY            INFORMATION. ANY PERSON, CORPORATION OR OTHER FIRM RECEIVING IT IS DEEMED,            BY RECEIVING IT, TO AGREE THAT IT, AND/OR ANY PART OF IT, SHALL NOT BE DISCLOSED            TO ANY PERSON, CORPORATION OR OTHER ENTITY, DUPLICATED, AND/OR USED, EXCEPT            AS EXPRESSLY APPROVED IN WRITING IN ADVANCE BY OWNER. THIS DOCUMENT SHALL            BE RETURNED TO OWNER UPON REQUEST. IT MAY BE SUBJECT TO CERTAIN            RESTRICTIONS UNDER APPLICABLE EXPORT CONTROL LAWS AND REGULATIONS.         </small>		

TOLERANCES UNLESS OTHERWISE SPECIFIED:			
DEC.	INCH	mm	ANGLE
.X	+0.1	[+0.25]	±0.5°
.XX	+0.01	[+0.25]	
.XXX	+0.005	[+0.127]	
.XXXX	+0.0005	[+0.0127]	
REMOVE BURRS & BREAK SHARP			
EDGES: .003/.015 [.076/.381]			
CORNER FILLETS: .02 [.51]			
MACHINED SURFACES: 125/3.2			
mm SHOWN IN [BRACKETS]			

DRAWN BY G. RODRIGUEZ	DATE 09-30-2015
APPROVED BY R. VALENZUELA	DATE 09-30-2015
REFERENCE CDCD102	THIRD ANGLE PROJECTION

Regal Beloit America, Inc.	
DESCRIPTION CONN DIAGRAM-EXTERNAL	
MATERIAL	PROCESS/FINISH
SIZE B	DRAWING NUMBER CDBD108
SHEET 1 OF 1	