

BALDOR • RELIANCE

Customer information packet

BSM4F4-38-D

53B TENV VER BLDC RF0001 RESOLVR T'STATS

Specifications

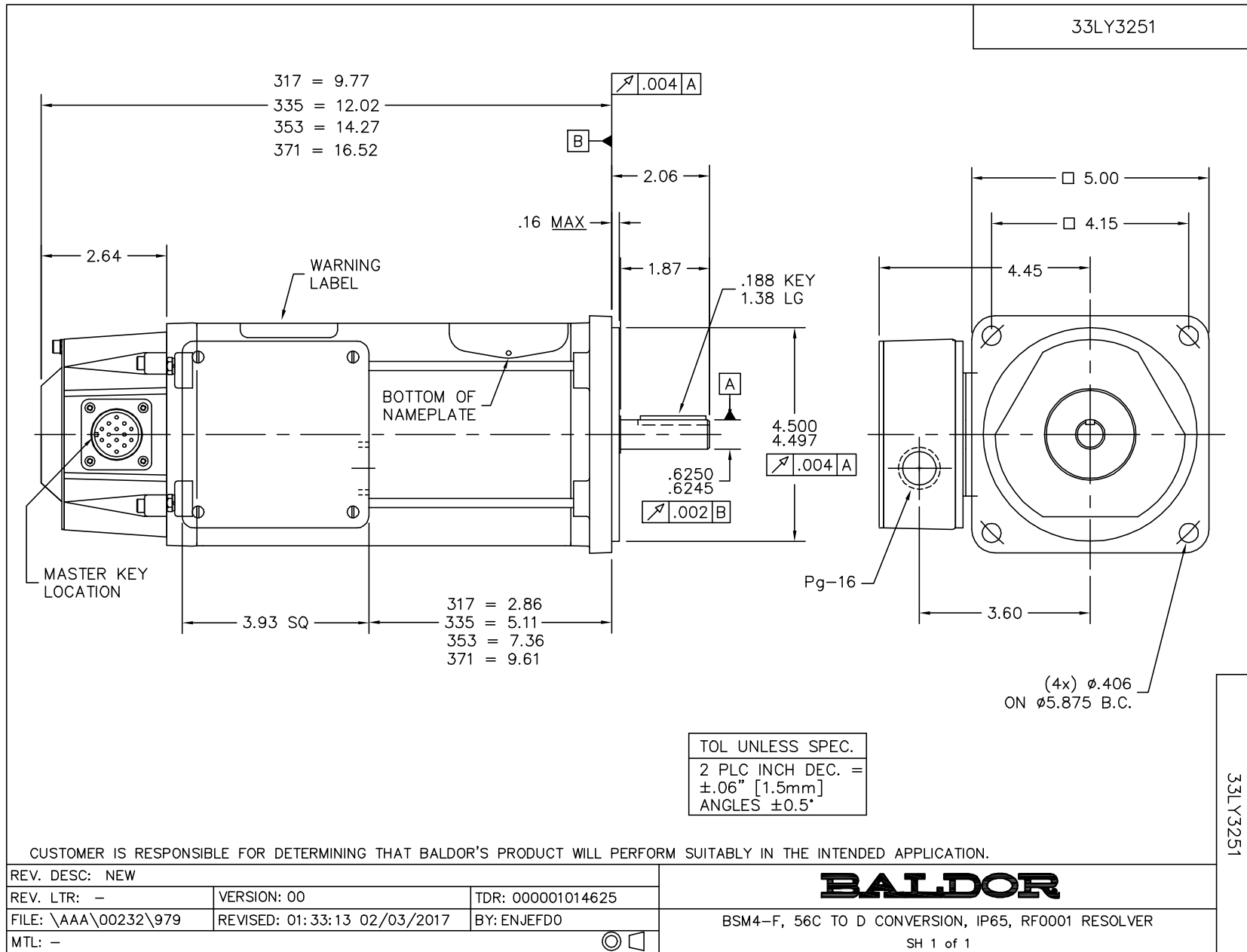
Enclosure	TENV
Nameplate Speed	4000
Base Indicator	Bracket Mounted
Dimensional Drawing Numbers	33LY3251
Frame	56C
Frame Material	Steel
Motor Lead Quantity/Wire Size	3 @ 14 AWG
Motor Standards	Other
Mounting Arrangement	F1
Nameplate Output	1.12KW
Shaft Rotation	Reversible
Thermal Device - Winding	Normally Closed Thermostat

Part detail

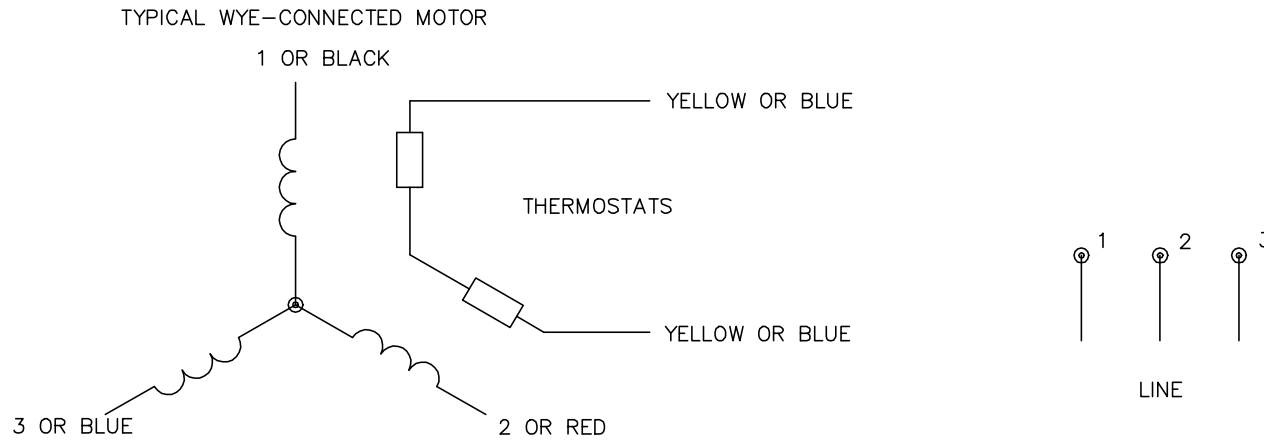
Revision	F
Type	AC
Mech. spec.	33-3251
Base	
Status	PRD/A
Elec. spec.	33WGW061
Layout	33LY3251
Eff. date	10-24-2024
CD Diagram	CD0006A02
Poles	08
Leads	3#14
Proprietary	False
Created date	02-03-2017

Nameplate

NP1532	
CAT.NO.	BSM4F4-38-D
BLANK	
SPEC.	33-3251W061
MFG.NO.	
TORQ CONT STALL	6.33 NM
CUR CONT STALL/A RMS	20.80
POWER	1.12KW
RATED SPEED/RPM	4000
RATED BUS VOLTS	200
MAX SPEED/RPM	5000
PEAK CUR/A RMS	63.10
MAXIMUM POWER/KW	2.17
TORQ PEAK STALL/NM	19.20
TORQ CONSTANT-NM/A	0.38 RMS L-L



CD0006A02



NOTES:

1. INTERCHANGE ANY TWO LINE LEADS TO REVERSE ROTATION.
2. ACTUAL NUMBER OF INTERNAL PARALLEL CIRCUITS MAY VARY.

REV. DESC: REMOVED "OPTIONAL" FROM PRINT, SERVO REQ'S T'STATS		
REV. LTR: D	VERSION: 03	TDR: 000000414937
CD0006A02	FILE: \AAA\00068\606	REVISED: 10:02:28 11/21/2006
	MTL: -	BY: ENJFDO

BALDOR ELECTRIC Co.

3PH, SV, 3 LEADS, WYE CONNECTED

CD0006A02

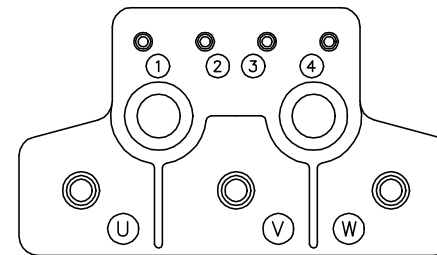
CD1525

MOTOR CONNECTIONS

TERMINAL LABEL	FUNCTION	INTERNAL WIRE MARKING
1	THERMAL SWITCH	YELLOW OR BLUE
2	THERMAL SWITCH	YELLOW OR BLUE
3	BRAKE (OPTIONAL)	BLACK
4	BRAKE (OPTIONAL)	BLACK
⏏	GROUND	-----
U	PHASE U	BLACK OR T1
V	PHASE V	RED OR T2
W	PHASE W	BLUE OR T3



GROUND BOSS



NOTE:
T'STAT LEADS ARE TYPICALLY 22 GA.

REV. DESC: THERMAL WIRE WAS YELLOW		
REV. LTR: A	VERSION: 01	TDR: 000000367420
CD1525	FILE: \AAA\00085\152	REVISED: 10:27:02 09/02/2005
	MTL: -	BY: ENMARHO

BALDOR ELECTRIC Co.

CONNECTION DIAGRAM FOR WD1327A01 TERMINAL BLOCK

CD1525