



Customer information packet

CFSWDL3504

.5HP, 1750RPM, 1PH, 60HZ, 56C, 3520L, TEFC, F1

Class - None

Division - Not Applicable

Specifications

Enclosure	TEFC
Frame	56C
Frame Material	Stainless Steel
Frequency	60.00 Hz
Haz Area Class and Group	None
Haz Area Division	Not Applicable
Motor Letter Type	Cap Start, Induction Run
Output @ Frequency	.500 HP @ 60 HZ
Phase	1
Synchronous Speed @ Frequency	1800 RPM @ 60 HZ
Voltage @ Frequency	115.0 V @ 60 HZ 230.0 V @ 60 HZ
Agency Approvals	WEEE C UR US
Ambient Temperature	40 °C
Auxillary Box	No Auxillary Box
Auxillary Box Lead Termination	None
Base Indicator	Rigid
Bearing Grease Type	Polyrex EM (-20F +300F)
Blower	None
Current @ Voltage	3.650 A @ 230.0 V 7.300 A @ 115.0 V
Design Code	N
Drip Cover	No Drip Cover
Duty Rating	CONT
Efficiency @ 100% Load	66.0 %
Electrically Isolated Bearing	Not Electrically Isolated
Feedback Device	NO FEEDBACK
Front Shaft Indicator	None
Heater Indicator	No Heater
High Voltage Full Load Amps	3.7 a
Insulation Class	F

Part detail

Revision	C
Type	AC
Mech. spec.	35E4732
Base	
Status	PRD/A
Elec. spec.	35WGG506
Layout	35LYE4732
Eff. date	12-20-2023
CD Diagram	CD0648
Poles	04
Leads	7#18
Proprietary	False
Created date	02-23-2023

Inverter Code	Not Inverter
KVA Code	M
Lifting Lugs	No Lifting Lugs
Locked Bearing Indicator	Locked Bearing
Motor Finish	UNPAINTED
Motor Lead Quantity/Wire Size	7 @ 18 AWG
Motor Lead Termination	Flying Leads
Motor Standards	NEMA
Motor Type	3520L
Mounting Arrangement	F1
Number of Poles	4
Overall Length	13.96 IN
Power Factor	65
Product Family	WD All SD Non-Encapsulated
Pulley End Bearing Type	Sealed Bearing
Pulley Face Code	C-Face
Pulley Shaft Indicator	Standard
Rodent Screen	None
RoHS Status	ROHS COMPLIANT
Service Factor	1.15
Shaft Diameter	0.625 IN
Shaft Ground Indicator	No Shaft Grounding
Shaft Rotation	Reversible
Shaft Slinger Indicator	No Slinger
Speed	1750 rpm
Speed Code	Single Speed
Starting Method	Direct on line
Thermal Device - Bearing	None
Thermal Device - Winding	None
Vibration Sensor Indicator	No Vibration Sensor
Winding Thermal 1	None
Winding Thermal 2	None

Nameplate

NP4427ALG30

CAT #	CFSWDL3504		WT	37	LBS		
SPEC	35E4732G506G1		ENCL	TEFC			
SER #		CC		IP	69		
HP	.5	NEMA NOM. EFF		66			
VOLTS	115/230						
AMPS	7.3/3.65		PF	65			
RATING	40C AMB-CONT						
RPM	1750						
FRAME	56C	HZ	60	CODE	M	CLASS	F
SER.F.	1.15	SF AMP	7.8/3.9	PH	1	DES	N
DE	6205	ODE	6205				
LUBRICATION	POLYREX EM						
						QR	
YR							

AC Induction Motor Performance Data

Record # 95486

Typical performance - not guaranteed values

Winding: 35WGG506-R001		Type: 3520L		Enclosure: TEFC	
Nameplate Data			115 V, 60 Hz: Low Voltage Connection		
Rated Output (HP)	.5		Full Load Torque	1.5 LB-FT	
Volts	115/230		Start Configuration	direct on line	
Full Load Amps	7.3/3.65		Breakdown Torque	4.6 LB-FT	
R.P.M.	1750		Pull-up Torque	3.4 LB-FT	
Hz	60	Phase	1	Locked-rotor Torque	5.3 LB-FT
NEMA Design Code	N	KVA Code	M	Starting Current	46 A
Service Factor (S.F.)	1.15		No-load Current	5.77 A	
NEMA Nom. Eff.	66	Power Factor	65	Line-line Res. @ 25°C	1.09 Ω A Ph 1.61 Ω B Ph
Rating - Duty	40C AMB-CONT		Temp. Rise @ Rated Load	55°C	
S.F. Amps	7.8/3.9		Temp. Rise @ S.F. Load	60°C	
			Locked-rotor Power Factor	97.4	
			Rotor inertia	0.145 lb-ft ²	

Load Characteristics 115 V, 60 Hz, 0.5 HP

% of Rated Load	25	50	75	100	125	150	S.F.
Power Factor	31	44	56	65	72	78	69
Efficiency	45	59.5	65.6	67.8	67.8	66	67.8
Speed	1785	1775	1763	1749	1732	1711	1739
Line amperes	5.82	6.11	6.63	7.32	8.26	9.43	7.88

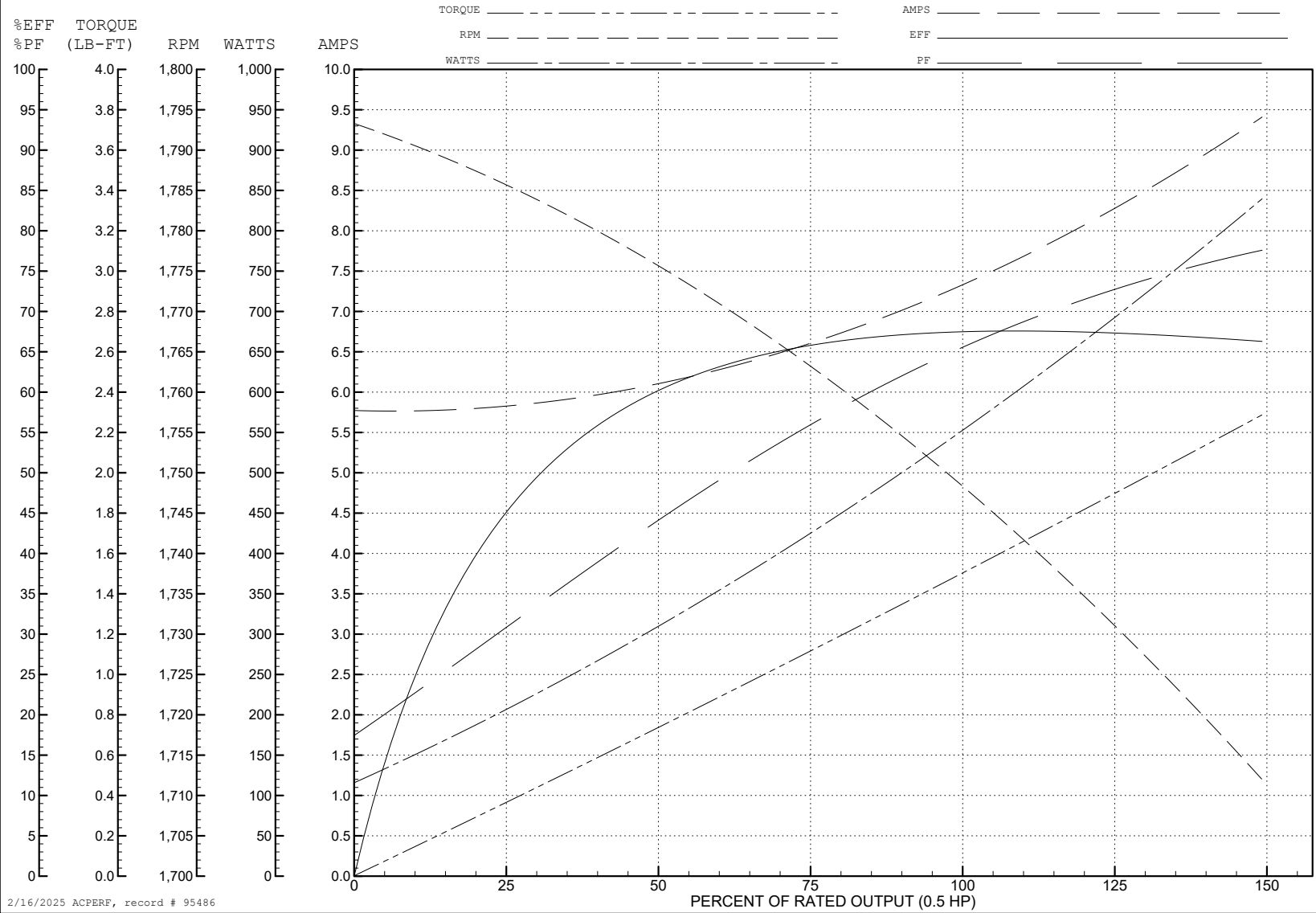
ABB Motors and Mechanical Inc.

WINDING # 35WGG506

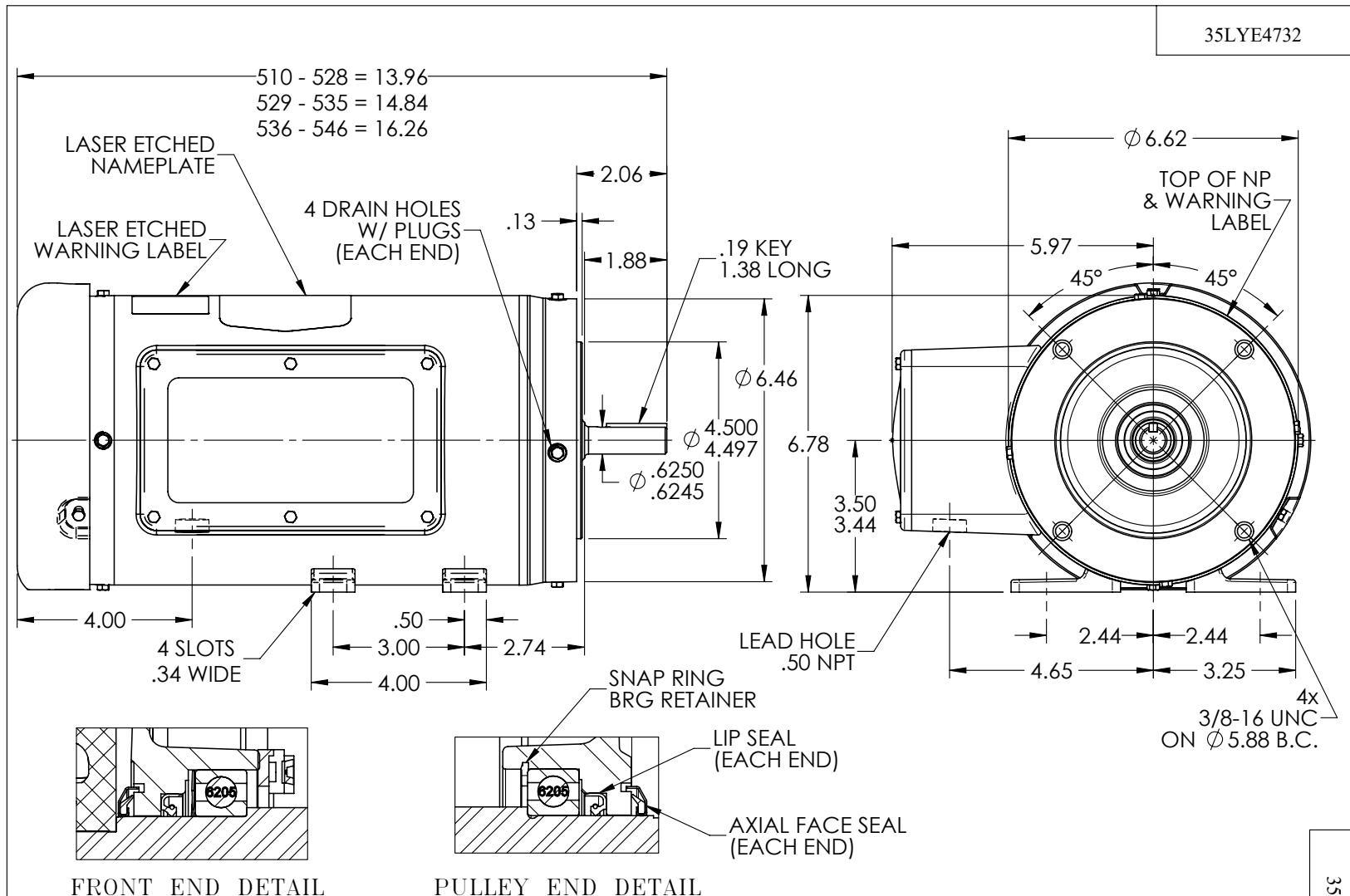
0.5 HP 1 PH 60 HZ 1750 RPM 115 V 3520L

Typical performance - not guaranteed values.

TORQUES (LB-FT): PO=4.6 PU=3.4 LR=5.3 LRA=46



2/16/2025 ACPERF, record # 95486



CUSTOMER IS RESPONSIBLE FOR DETERMINING THAT BALDOR'S PRODUCT WILL PERFORM SUITABLY IN THE INTENDED APPLICATION

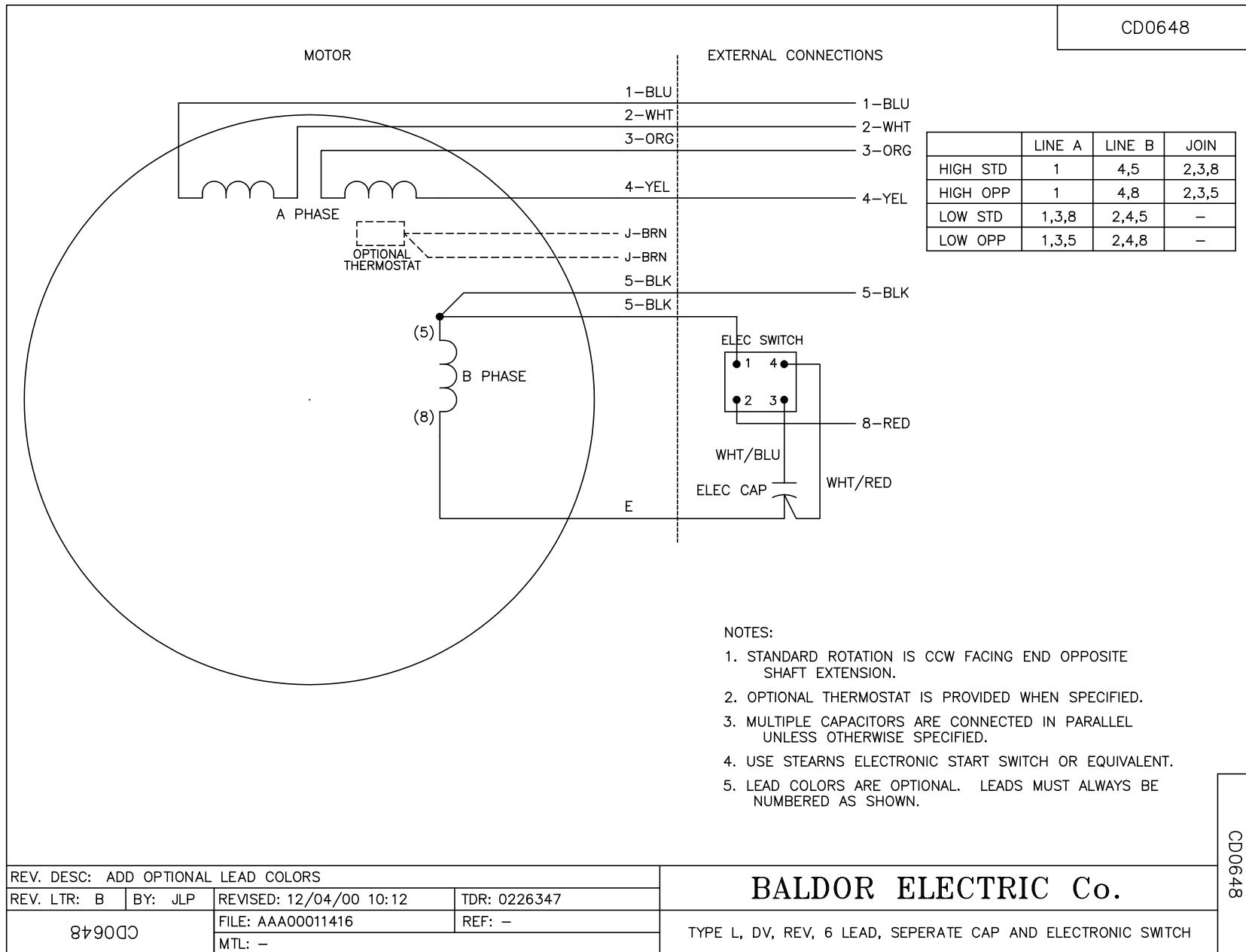
REV. DESC: REMOVE FACE DRAINS & DRAIN FTG; ADD DRAIN PLUG			
REV: A	VERSION: 01	REVISED: 09:24:42 06/14/2023	TDR: 000001202627
35LYE4732		MODEL NO. 35LYE4732	REF: -
		BY: ENFRAJ0	

BALDOR

STD HORZ 56C TEFC 35L WD11/12

35LYE4732

CD0648



CD0648

REV. DESC: ADD OPTIONAL LEAD COLORS			
REV. LTR: B	BY: JLP	REVISED: 12/04/00 10:12	TDR: 0226347
879000		FILE: AAA00011416	REF: -
		MTL: -	

BALDOR ELECTRIC Co.

TYPE L, DV, REV, 6 LEAD, SEPERATE CAP AND ELECTRONIC SWITCH