



Customer information packet

CFSWDL3506

.75HP, 3450RPM, 1PH, 60HZ, 56C, 3516L, TEFC, F1

Class - None

Division - Not Applicable

Specifications

Enclosure	TEFC
Frame	56C
Frame Material	Stainless Steel
Frequency	60.00 Hz
Haz Area Class and Group	None
Haz Area Division	Not Applicable
Motor Letter Type	Cap Start, Induction Run
Output @ Frequency	.750 HP @ 60 HZ
Phase	1
Synchronous Speed @ Frequency	3600 RPM @ 60 HZ
Voltage @ Frequency	115.0 V @ 60 HZ 230.0 V @ 60 HZ
Agency Approvals	CSA UR
Ambient Temperature	40 °C
Auxillary Box	No Auxillary Box
Auxillary Box Lead Termination	None
Base Indicator	Rigid
Bearing Grease Type	Polyrex EM (-20F +300F)
Blower	None
Current @ Voltage	9.200 A @ 115.0 V 4.800 A @ 208.0 V 4.600 A @ 230.0 V
Design Code	N
Drip Cover	No Drip Cover
Duty Rating	CONT
Efficiency @ 100% Load	64.0 %
Electrically Isolated Bearing	Not Electrically Isolated
Feedback Device	NO FEEDBACK
Front Shaft Indicator	None
Heater Indicator	No Heater
High Voltage Full Load Amps	4.6 a

Part detail

Revision	E
Type	AC
Mech. spec.	35E4732
Base	
Status	PRD/A
Elec. spec.	35WGL342
Layout	35LYE4732
Eff. date	08-30-2023
CD Diagram	CD0648
Poles	02
Leads	7#18,0#,0#,0# Y
Proprietary	False
Created date	07-21-2017

Insulation Class	F
Inverter Code	Not Inverter
KVA Code	K
Lifting Lugs	No Lifting Lugs
Locked Bearing Indicator	Locked Bearing
Motor Finish	UNPAINTED
Motor Lead Quantity/Wire Size	@ AWG 7 @ 18 AWG
Motor Lead Termination	Flying Leads
Motor Standards	NEMA
Motor Type	3516L
Mounting Arrangement	F1
Number of Poles	2
Overall Length	13.96 IN
Power Factor	81
Product Family	WD All SD Non-Encapsulated
Pulley End Bearing Type	Sealed Bearing
Pulley Face Code	C-Face
Pulley Shaft Indicator	Standard
Rodent Screen	None
RoHS Status	ROHS COMPLIANT
Service Factor	1.25
Shaft Diameter	0.625 IN
Shaft Ground Indicator	No Shaft Grounding
Shaft Rotation	Reversible
Shaft Slinger Indicator	No Slinger
Speed	3450 rpm
Speed Code	Single Speed
Starting Method	Direct on line
Thermal Device - Bearing	None
Thermal Device - Winding	None
Vibration Sensor Indicator	No Vibration Sensor
Winding Thermal 1	None
Winding Thermal 2	None

AC Induction Motor Performance Data

Record # 51974

Typical performance - not guaranteed values

Winding: 35WGL342-R001		Type: 3516L		Enclosure: TEFC	
Nameplate Data			230 V, 60 Hz: High Voltage Connection		
Rated Output (HP)	.75		Full Load Torque	1.14 LB-FT	
Volts	115/230		Start Configuration	direct on line	
Full Load Amps	9.2/4.6		Breakdown Torque	2.42 LB-FT	
R.P.M.	3450		Pull-up Torque	2.02 LB-FT	
Hz	60	Phase	1	Locked-rotor Torque	4.59 LB-FT
NEMA Design Code	N	KVA Code	K	Starting Current	29.3 A
Service Factor (S.F.)	1.25		No-load Current	2.68 A	
NEMA Nom. Eff.	64	Power Factor	81	Line-line Res. @ 25°C	3.4258 Ω A Ph 1.1305 Ω B Ph
Rating - Duty	40C AMB-CONT		Temp. Rise @ Rated Load	69°C	
S.F. Amps	11.2/5.6		Temp. Rise @ S.F. Load	92°C	

Load Characteristics 230 V, 60 Hz, 0.75 HP

% of Rated Load	25	50	75	100	125	150	S.F.
Power Factor	48	64	74	81	85	87	85
Efficiency	46.1	59.7	64.7	65.5	64.1	59.7	64.1
Speed	3557.8	3528.3	3494.3	3452.4	3397.8	3316.2	3398
Line amperes	2.84	3.24	3.81	4.59	5.61	7.06	5.61

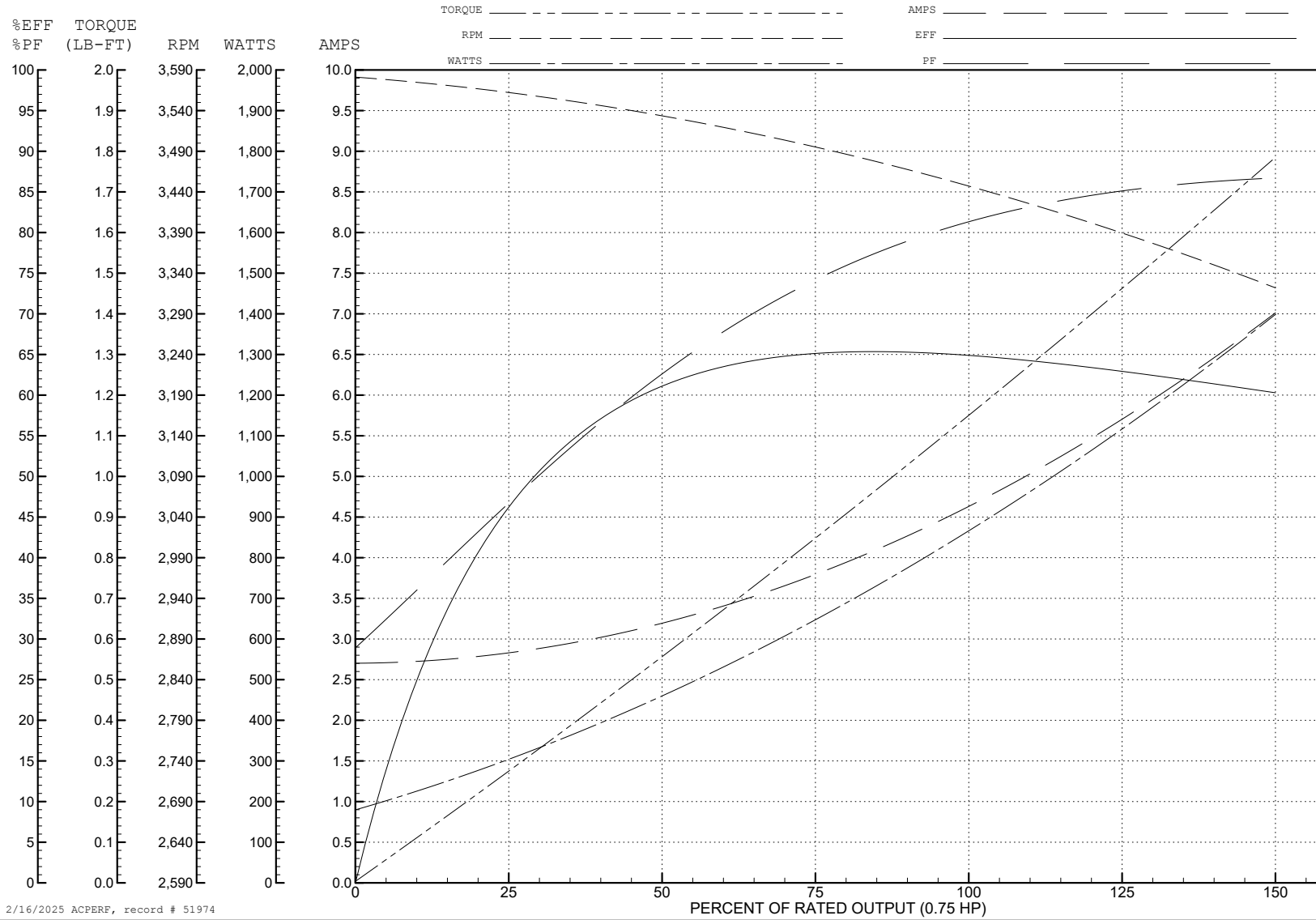
ABB Motors and Mechanical Inc.

WINDING # 35WGL342

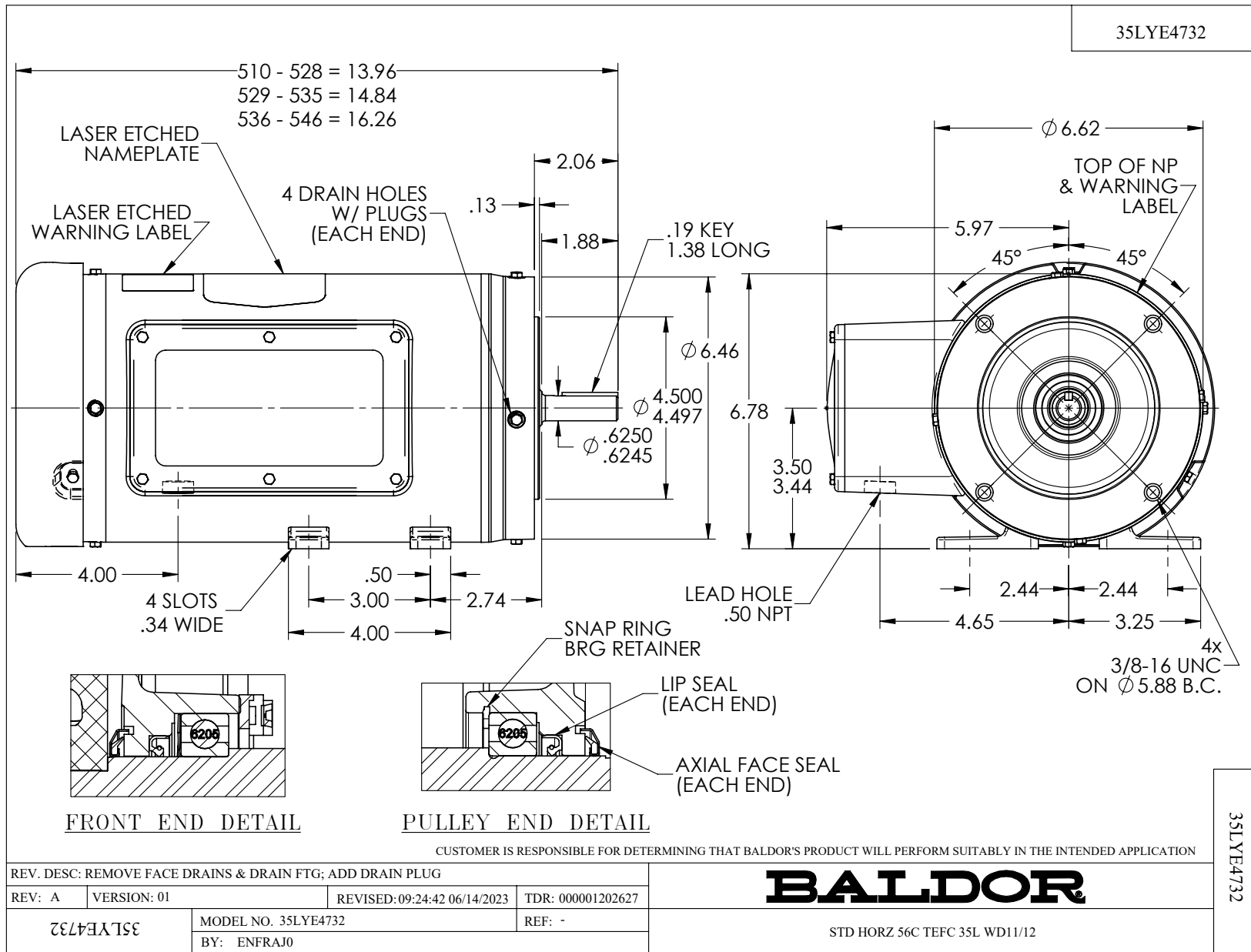
Typical performance - not guaranteed values.

0.75 HP 1 PH 60 HZ 3450 RPM 230 V 3516L

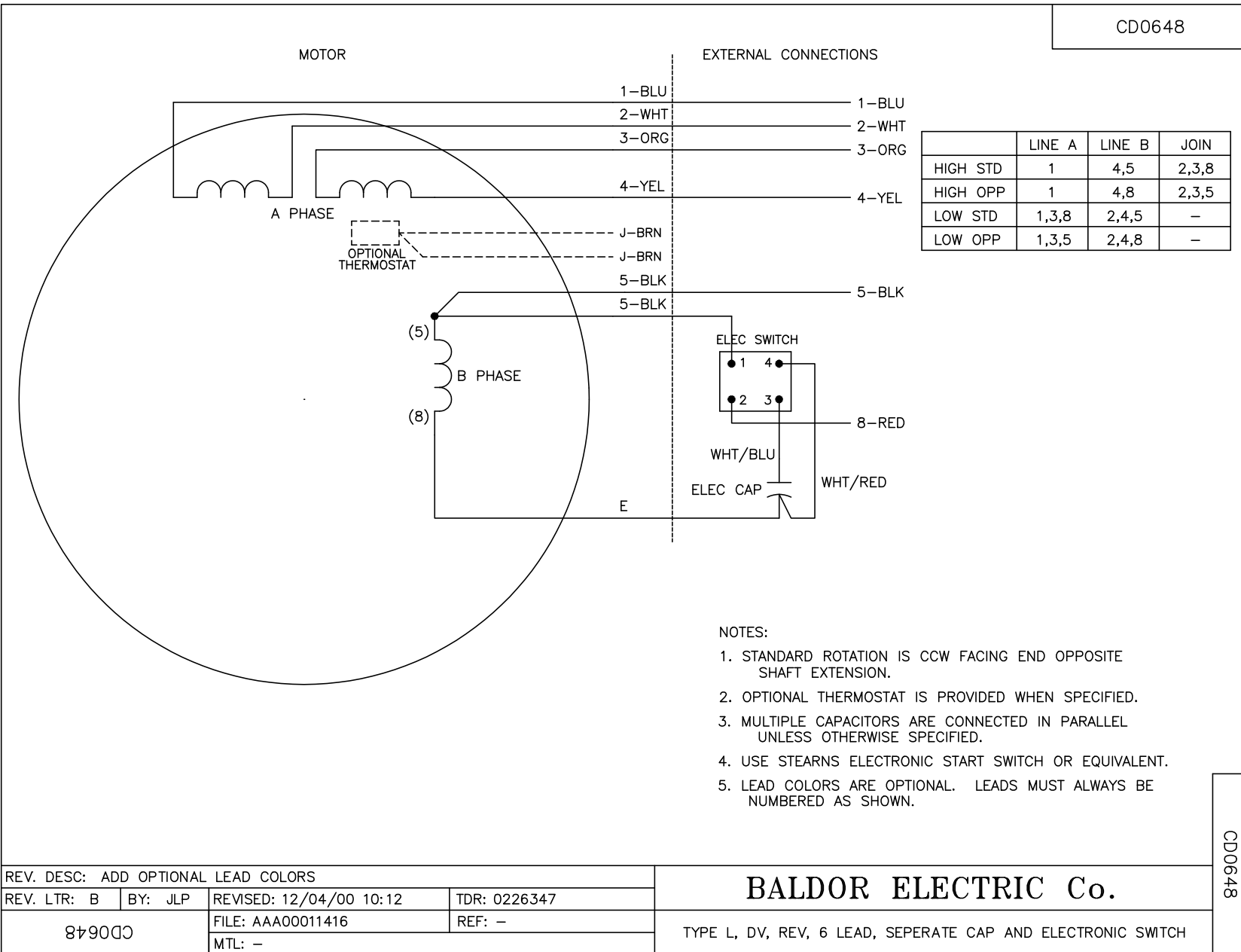
TORQUES (LB-FT): PO=2.42 PU=2.02 LR=4.59 LRA=29.3



2/16/2025 ACPERF, record # 51974



CD0648



NOTES:

1. STANDARD ROTATION IS CCW FACING END OPPOSITE SHAFT EXTENSION.
2. OPTIONAL THERMOSTAT IS PROVIDED WHEN SPECIFIED.
3. MULTIPLE CAPACITORS ARE CONNECTED IN PARALLEL UNLESS OTHERWISE SPECIFIED.
4. USE STEARNS ELECTRONIC START SWITCH OR EQUIVALENT.
5. LEAD COLORS ARE OPTIONAL. LEADS MUST ALWAYS BE NUMBERED AS SHOWN.

CD0648

REV. DESC: ADD OPTIONAL LEAD COLORS			
REV. LTR: B	BY: JLP	REVISED: 12/04/00 10:12	TDR: 0226347
879000		FILE: AAA00011416	REF: -
		MTL: -	

BALDOR ELECTRIC Co.

TYPE L, DV, REV, 6 LEAD, SEPERATE CAP AND ELECTRONIC SWITCH