

**BALDOR • RELIANCE**

---

# Customer information packet

## CFSWDM3537-5E

.5HP, 3500RPM, 3PH, 60HZ, 56C, 3516M, TENV, F1

Class - None

Division - Not Applicable

## Specifications

Enclosure	TENV
Frame	56C
Frame Material	Stainless Steel
Frequency	60.00 Hz
Haz Area Class and Group	None
Haz Area Division	Not Applicable
Motor Letter Type	Three Phase
Output @ Frequency	.500 HP @ 60 HZ
Phase	3
Synchronous Speed @ Frequency	3600 RPM @ 60 HZ
Voltage @ Frequency	575.0 V @ 60 HZ
Agency Approvals	UR CSA
Ambient Temperature	40 °C
Auxillary Box	No Auxillary Box
Auxillary Box Lead Termination	None
Base Indicator	Rigid
Bearing Grease Type	Polyrex EM (-20F +300F)
Blower	None
Current @ Voltage	.600 A @ 575.0 V
Design Code	B
Drip Cover	No Drip Cover
Duty Rating	CONT
Efficiency @ 100% Load	84.0 %
Electrically Isolated Bearing	Not Electrically Isolated
Feedback Device	NO FEEDBACK
Front Face Code	Standard
Front Shaft Indicator	None
Heater Indicator	No Heater
High Voltage Full Load Amps	0.6 a
Insulation Class	H
Inverter Code	Not Inverter

## Part detail

Revision	K
Type	AC
Mech. spec.	35E4735
Base	
Status	PRD/A
Elec. spec.	35WGN872
Layout	35LYE4735
Eff. date	08-14-2023
CD Diagram	CD0006
Poles	02
Leads	3#18 15" LEAD LENGTH,0#0 DBL DIP & BAKE,0#0 PHASE INSULAY
Proprietary	False
Created date	03-16-2018

<b>KVA Code</b>	N
<b>Lifting Lugs</b>	No Lifting Lugs
<b>Locked Bearing Indicator</b>	Locked Bearing
<b>Motor Finish</b>	UNPAINTED
<b>Motor Lead Exit</b>	Ko Box
<b>Motor Lead Quantity/Wire Size</b>	@ 0 AWG 9 @ 18 AWG
<b>Motor Lead Termination</b>	Flying Leads
<b>Motor Standards</b>	NEMA
<b>Motor Type</b>	3516M
<b>Mounting Arrangement</b>	F1
<b>Number of Poles</b>	2
<b>Overall Length</b>	11.78 IN
<b>Power Factor</b>	84
<b>Product Family</b>	WD All SS Encapsulated
<b>Pulley End Bearing Type</b>	Sealed Bearing
<b>Pulley Face Code</b>	C-Face
<b>Pulley Shaft Indicator</b>	Standard
<b>Rodent Screen</b>	None
<b>RoHS Status</b>	ROHS COMPLIANT
<b>Service Factor</b>	1.15
<b>Shaft Diameter</b>	0.625 IN
<b>Shaft Extension Location</b>	Pulley End
<b>Shaft Ground Indicator</b>	No Shaft Grounding
<b>Shaft Rotation</b>	Reversible
<b>Shaft Slinger Indicator</b>	No Slinger
<b>Speed</b>	3500 rpm
<b>Speed Code</b>	Single Speed
<b>Starting Method</b>	Direct on line
<b>Thermal Device - Bearing</b>	None
<b>Thermal Device - Winding</b>	None
<b>Vibration Sensor Indicator</b>	No Vibration Sensor
<b>Winding Thermal 1</b>	None
<b>Winding Thermal 2</b>	None



**AC Induction Motor Performance Data**

Record # 41246

Typical performance - not guaranteed values

<b>Winding: 35WGN872-R001</b>		<b>Type: 3516M</b>		<b>Enclosure: TENV</b>	
<b>Nameplate Data</b>			<b>575 V, 60 Hz: Single Voltage Motor</b>		
<b>Rated Output (HP)</b>	.5	<b>Full Load Torque</b>	0.758 LB-FT		
<b>Volts</b>	575	<b>Start Configuration</b>	direct on line		
<b>Full Load Amps</b>	.6	<b>Breakdown Torque</b>	3.91 LB-FT		
<b>R.P.M.</b>	3500	<b>Pull-up Torque</b>	1.65 LB-FT		
<b>Hz</b>	60	<b>Locked-rotor Torque</b>	3.18 LB-FT		
<b>NEMA Design Code</b>	B	<b>Starting Current</b>	5.93 A		
<b>Service Factor (S.F.)</b>	1.15	<b>No-load Current</b>	0.323 A		
<b>NEMA Nom. Eff.</b>	84	<b>Line-line Res. @ 25°C</b>	39.4 Ω		
<b>Rating - Duty</b>	40C AMB-CONT	<b>Temp. Rise @ Rated Load</b>	46°C		
<b>S.F. Amps</b>		<b>Temp. Rise @ S.F. Load</b>	52°C		
		<b>Locked-rotor Power Factor</b>	55		
		<b>Rotor inertia</b>	0.0443 LB-FT <sup>2</sup>		

**Load Characteristics 575 V, 60 Hz, 0.5 HP**

<b>% of Rated Load</b>	<b>25</b>	<b>50</b>	<b>75</b>	<b>100</b>	<b>125</b>	<b>150</b>	<b>S.F.</b>
<b>Power Factor</b>	41	60	72	80	85	88	83
<b>Efficiency</b>	71.9	80.2	83.3	84.6	84.7	84	84.7
<b>Speed</b>	3573	3552	3528	3502	3477	3449	3487
<b>Line amperes</b>	0.347	0.398	0.47	0.56	0.657	0.763	0.618

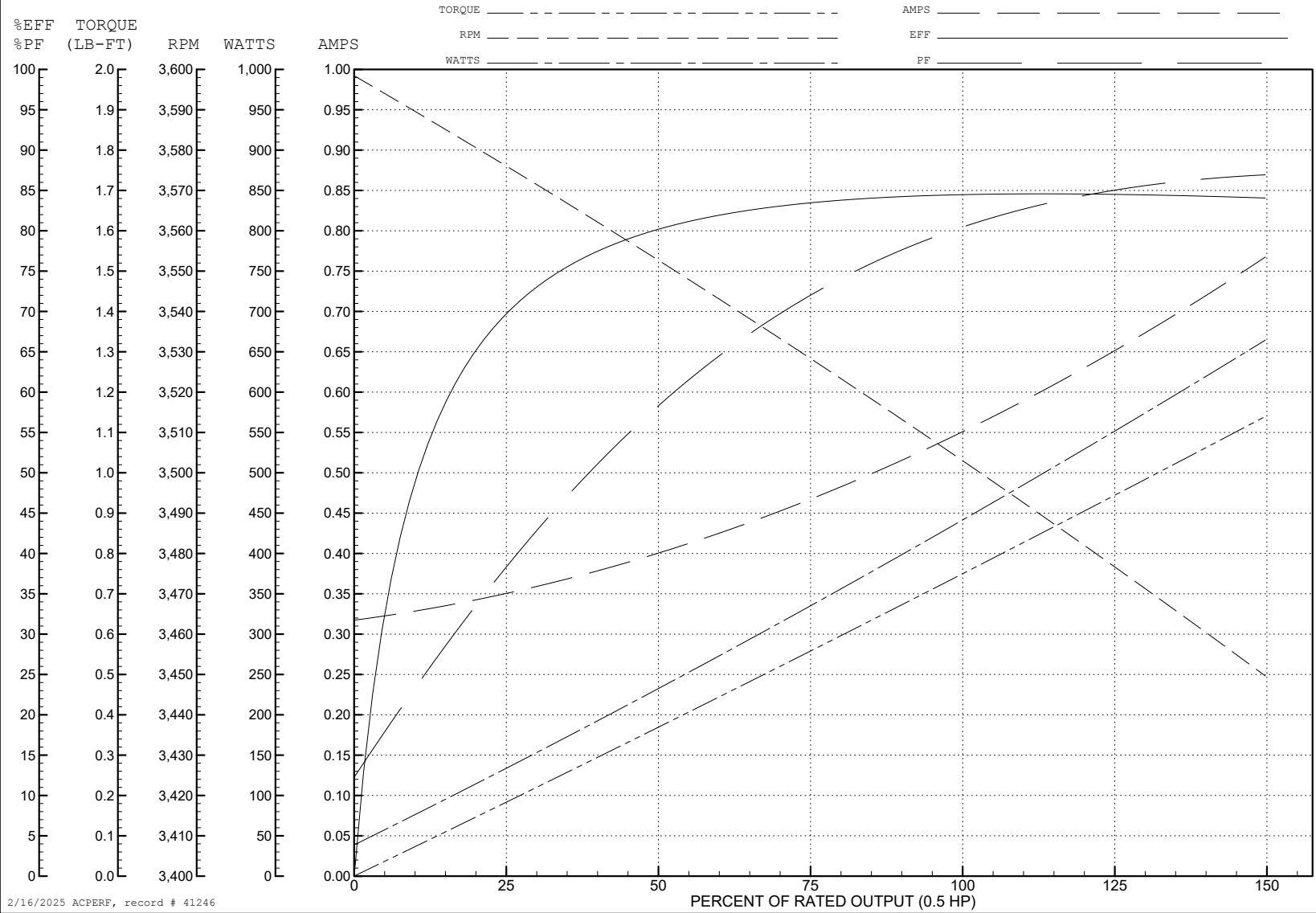
ABB Motors and Mechanical Inc.

WINDING # 35WGN872

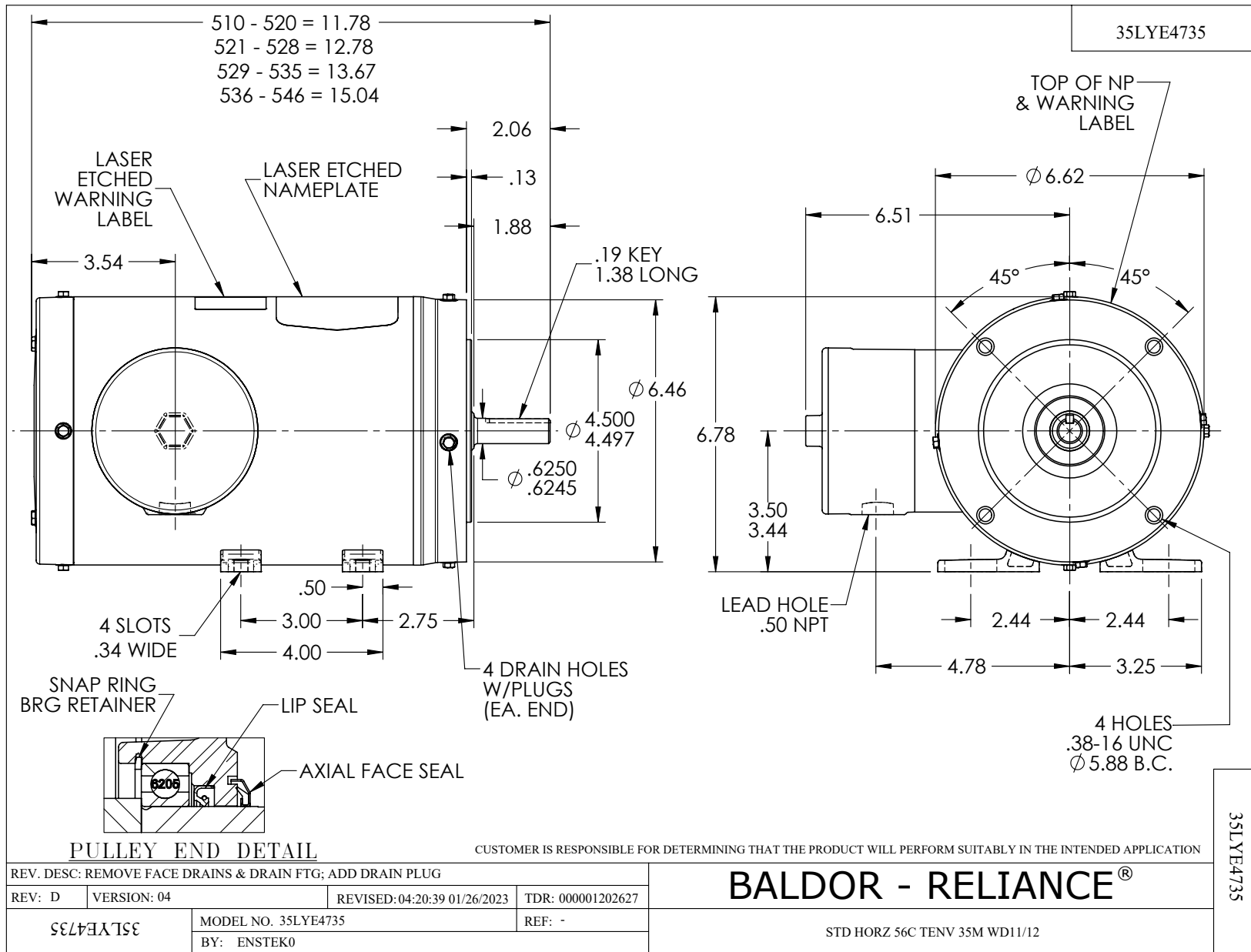
0.5 HP 3 PH 60 HZ 3500 RPM 575 V 3516M

Typical performance - not guaranteed values.

TORQUES (LB-FT): PO=3.91 PU=1.65 LR=3.18 LRA=5.93



2/16/2025 ACPERF, record # 41246



CD0006



NOTES:

1. THREE LEAD MOTOR MAY BE EITHER WYE CONNECTED OR DELTA CONNECTED.
2. INTERCHANGE ANY TWO LINE LEADS TO REVERSE ROTATION.
3. OPTIONAL THERMOSTATS ARE PROVIDED WHEN SPECIFIED.
4. ACTUAL NUMBER OF INTERNAL PARALLEL CIRCUITS MAY VARY.
5. LEAD COLORS ARE OPTIONAL. LEADS MUST BE NUMBERED AS SHOWN.

CD0006

REV. DESC: ADD CLASS CONN00000007		
REV. LTR: E	VERSION: 01	TDR: 000001099922
FILE: \AAA\00005\141	REVISED: 10:24:49 02/19/2019	BY: ENBRIRO
MTL: -	© □	

**BALDOR - RELIANCE®**

3PH, SV, 3 LEADS, WYE OR DELTA CONNECTED

SH 1 of 1