

**BALDOR • RELIANCE**

---

# Customer information packet

## CFSWDM3559T-5E

3HP, 3470RPM, 3PH, 60HZ, 145TC, 3546M, TEFC, F1

Class - None

Division - Not Applicable

## Specifications

Enclosure	TEFC
Frame	145TC
Frame Material	Stainless Steel
Frequency	60.00 Hz
Haz Area Class and Group	None
Haz Area Division	Not Applicable
Motor Letter Type	Three Phase
Output @ Frequency	3.000 HP @ 60 HZ
Phase	3
Synchronous Speed @ Frequency	3600 RPM @ 60 HZ
Voltage @ Frequency	575.0 V @ 60 HZ
Ambient Temperature	40 °C
Auxillary Box	No Auxillary Box
Auxillary Box Lead Termination	None
Base Indicator	Rigid
Bearing Grease Type	Polyrex EM (-20F +300F)
Blower	None
Current @ Voltage	2.900 A @ 575.0 V
Design Code	A
Drip Cover	No Drip Cover
Duty Rating	CONT
Efficiency @ 100% Load	86.5 %
Electrically Isolated Bearing	Not Electrically Isolated
Feedback Device	NO FEEDBACK
Front Face Code	Standard
Front Shaft Indicator	None
Heater Indicator	No Heater
High Voltage Full Load Amps	2.9 a
Insulation Class	H
Inverter Code	Inverter Ready
KVA Code	P
Lifting Lugs	No Lifting Lugs

## Part detail

Revision	J
Type	AC
Mech. spec.	35E4743
Base	
Status	PRD/A
Elec. spec.	35WGN653
Layout	35LYE4743
Eff. date	08-30-2023
CD Diagram	CD0006
Poles	02
Leads	3#18 15" lead length,0#0 dbl dip & bake,0#0 phase insulaY
Proprietary	False
Created date	03-16-2018

<b>Locked Bearing Indicator</b>	Locked Bearing
<b>Motor Finish</b>	UNPAINTED
<b>Motor Lead Exit</b>	Ko Box
<b>Motor Lead Quantity/Wire Size</b>	@ 0 AWG 3 @ 18 AWG
<b>Motor Lead Termination</b>	Flying Leads
<b>Motor Standards</b>	NEMA
<b>Motor Type</b>	3546M
<b>Mounting Arrangement</b>	F1
<b>Number of Poles</b>	2
<b>Overall Length</b>	16.28 IN
<b>Power Factor</b>	91
<b>Product Family</b>	WD All SS Encapsulated
<b>Pulley End Bearing Type</b>	Sealed Bearing
<b>Pulley Face Code</b>	C-Face
<b>Pulley Shaft Indicator</b>	Standard
<b>Rodent Screen</b>	None
<b>RoHS Status</b>	ROHS COMPLIANT
<b>Service Factor</b>	1.15
<b>Shaft Diameter</b>	0.875 IN
<b>Shaft Extension Location</b>	Pulley End
<b>Shaft Ground Indicator</b>	No Shaft Grounding
<b>Shaft Rotation</b>	Reversible
<b>Shaft Slinger Indicator</b>	No Slinger
<b>Speed</b>	3470 rpm
<b>Speed Code</b>	Single Speed
<b>Starting Method</b>	Direct on line
<b>Thermal Device - Bearing</b>	NONE (OLD)
<b>Thermal Device - Winding</b>	None
<b>Vibration Sensor Indicator</b>	No Vibration Sensor
<b>Winding Thermal 1</b>	None
<b>Winding Thermal 2</b>	None



**AC Induction Motor Performance Data**

Record # 40792

Typical performance - not guaranteed values

<b>Winding:</b> 35WGN653-R001		<b>Type:</b> 3546M		<b>Enclosure:</b> TEFC	
<b>Nameplate Data</b>			<b>575 V, 60 Hz: Single Voltage Motor</b>		
<b>Rated Output (HP)</b>	3	<b>Full Load Torque</b>	4.5 LB-FT		
<b>Volts</b>	575	<b>Start Configuration</b>	direct on line		
<b>Full Load Amps</b>	2.9	<b>Breakdown Torque</b>	17.5 LB-FT		
<b>R.P.M.</b>	3470	<b>Pull-up Torque</b>	10.7 LB-FT		
<b>Hz</b>	60	<b>Locked-rotor Torque</b>	17.3 LB-FT		
<b>NEMA Design Code</b>	A	<b>Starting Current</b>	39.4 A		
<b>Service Factor (S.F.)</b>	1.15	<b>No-load Current</b>	1.02 A		
<b>NEMA Nom. Eff.</b>	86.5	<b>Line-line Res. @ 25°C</b>	5.41 Ω		
<b>Rating - Duty</b>	40C AMB-CONT	<b>Temp. Rise @ Rated Load</b>	63°C		
<b>S.F. Amps</b>		<b>Temp. Rise @ S.F. Load</b>	74°C		
		<b>Locked-rotor Power Factor</b>	43		
		<b>Rotor inertia</b>	0.127 LB-FT <sup>2</sup>		

**Load Characteristics 575 V, 60 Hz, 3 HP**

<b>% of Rated Load</b>	<b>25</b>	<b>50</b>	<b>75</b>	<b>100</b>	<b>125</b>	<b>150</b>	<b>S.F.</b>
<b>Power Factor</b>	58	79	87	90	91	90	91
<b>Efficiency</b>	79.3	86.2	87	86.9	85.6	83.9	86.1
<b>Speed</b>	3568	3542	3511	3481	3446	3406	3460
<b>Line amperes</b>	1.24	1.67	2.24	2.85	3.54	4.32	3.26

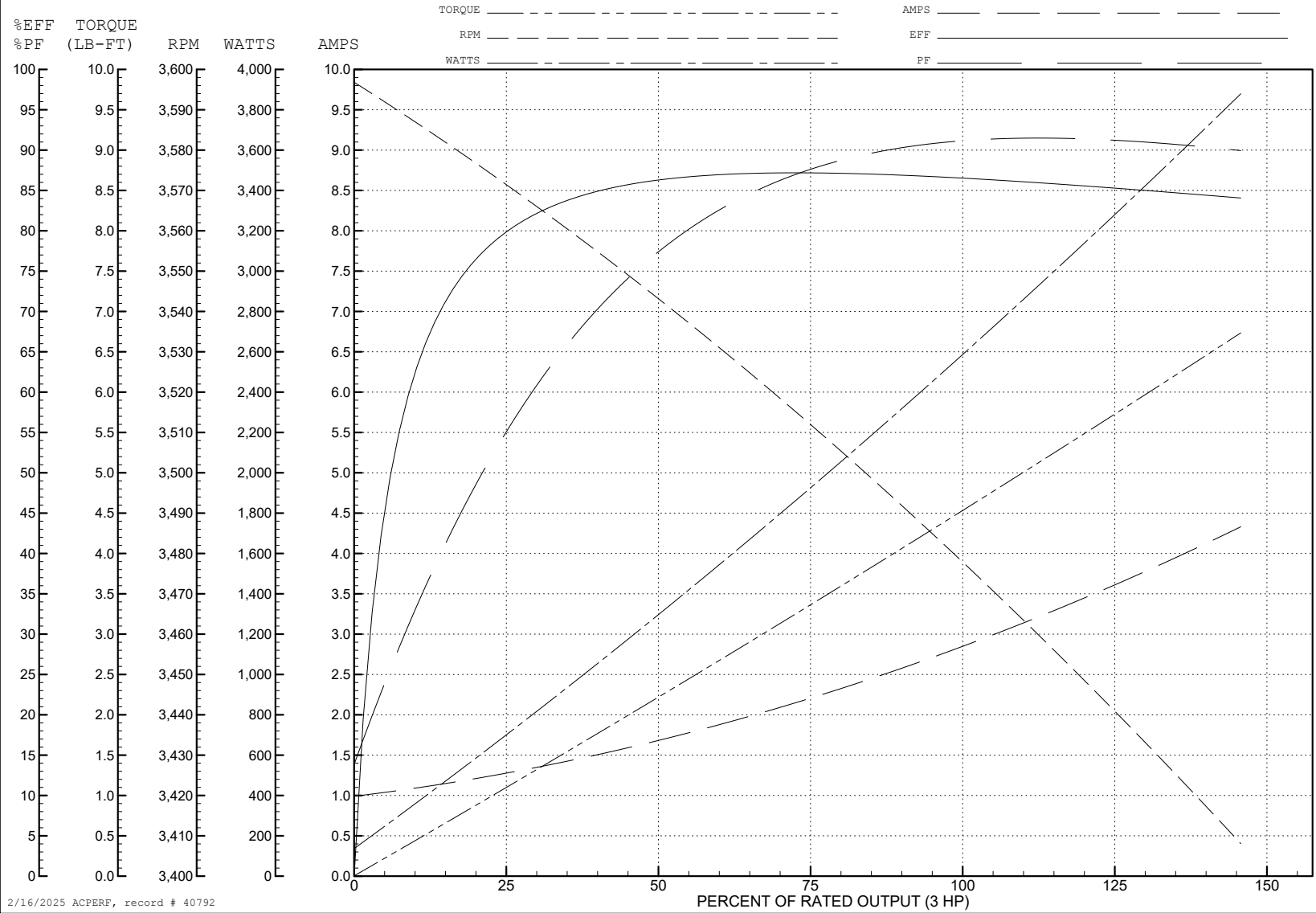
ABB Motors and Mechanical Inc.

WINDING # 35WGN653

3 HP 3 PH 60 HZ 3470 RPM 575 V 3546M

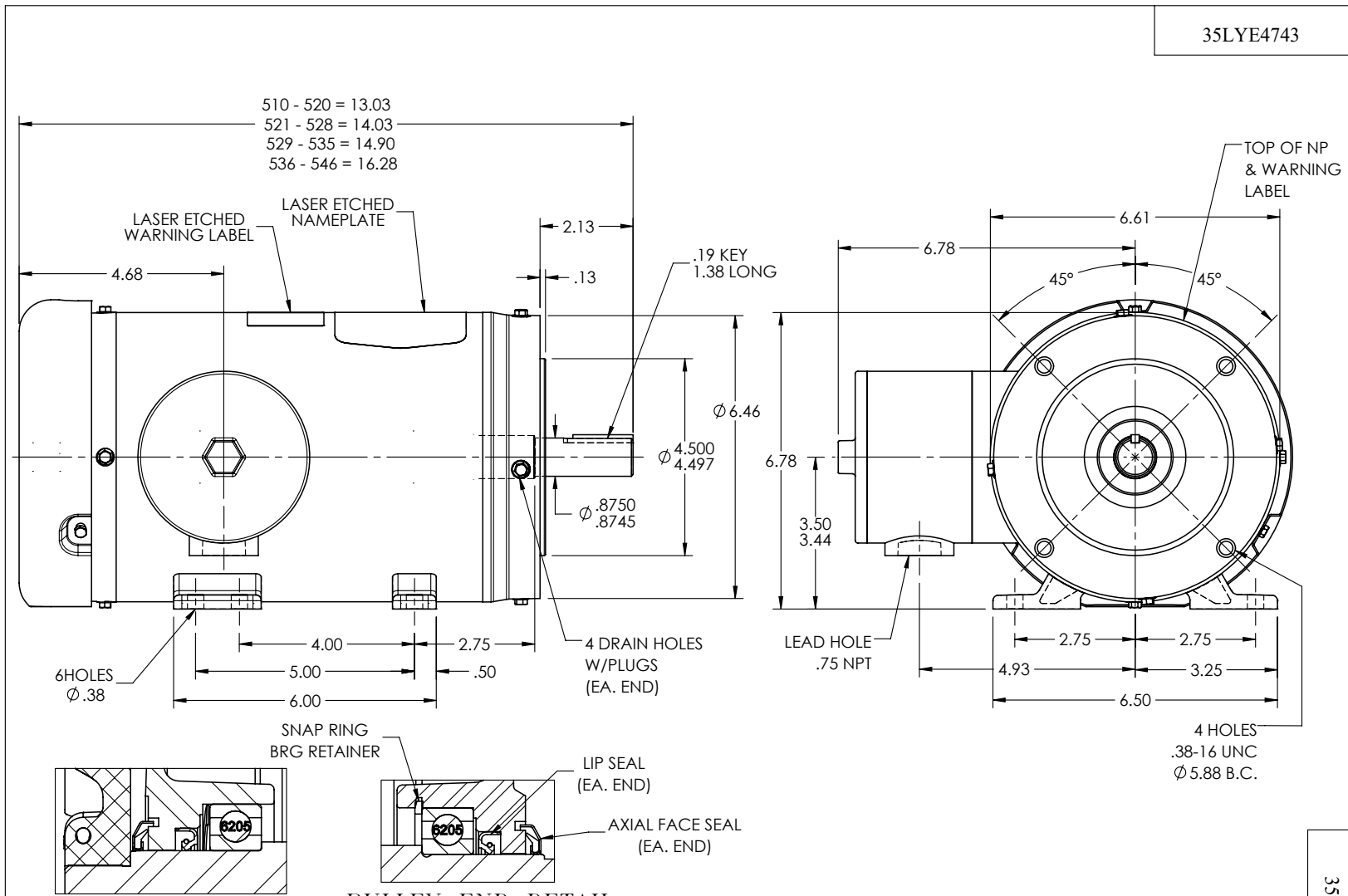
Typical performance - not guaranteed values.

TORQUES (LB-FT): PO=17.5 PU=10.7 LR=17.3 LRA=39.4



2/16/2025 ACPERF, record # 40792

35LYE4743



FRONT END DETAIL

PULLEY END DETAIL

CUSTOMER IS RESPONSIBLE FOR DETERMINING THAT BALDOR'S PRODUCT WILL PERFORM SUITABLY IN THE INTENDED APPLICATION

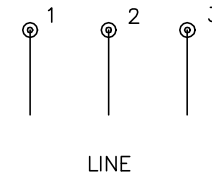
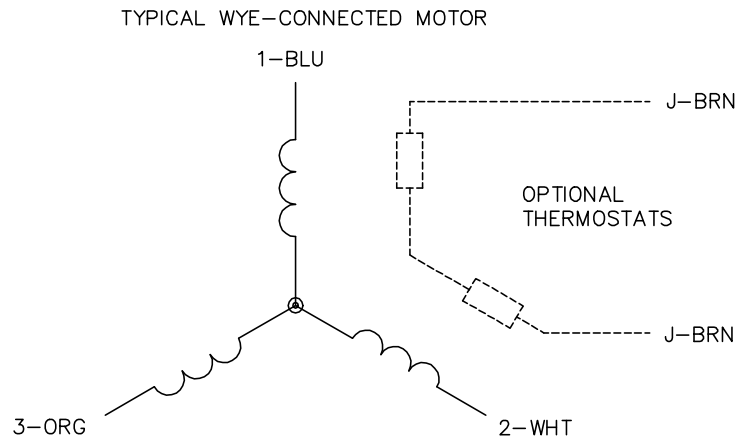
REV. DESC: REMOVE FACE DRAINS & DRAIN FTG; ADD DRAIN PLUG			
REV: D	VERSION: 04	REVISED: 10:50:10 01/27/2023	TDR: 000001202627
35LYE4743		MODEL NO. 35LYE4743	REF: -
		BY: ENSTEK0	

**BALDOR**

STD HORZ 143-5TC TEFC 35M WD11/12

35LYE4743

CD0006



NOTES:

1. THREE LEAD MOTOR MAY BE EITHER WYE CONNECTED OR DELTA CONNECTED.
2. INTERCHANGE ANY TWO LINE LEADS TO REVERSE ROTATION.
3. OPTIONAL THERMOSTATS ARE PROVIDED WHEN SPECIFIED.
4. ACTUAL NUMBER OF INTERNAL PARALLEL CIRCUITS MAY VARY.
5. LEAD COLORS ARE OPTIONAL. LEADS MUST BE NUMBERED AS SHOWN.

CD0006

REV. DESC: ADD CLASS CONN00000007		
REV. LTR: E	VERSION: 01	TDR: 000001099922
FILE: \AAA\00005\141	REVISED: 10:24:49 02/19/2019	BY: ENBRIRO
MTL: -	© □	

**BALDOR - RELIANCE®**

3PH, SV, 3 LEADS, WYE OR DELTA CONNECTED

SH 1 of 1