

BALDOR • RELIANCE

Customer information packet

FSWDM41903T

25HP, 1775RPM, 3PH, 60HZ, 284T, 4068M, TEFC, F1

Specifications

Enclosure	TEFC
Frame	284T
Frame Material	Stainless Steel
Frequency	60.00 Hz
Motor Letter Type	Three Phase
Output @ Frequency	25.000 HP @ 60 HZ
Phase	3
Synchronous Speed @ Frequency	1800 RPM @ 60 HZ
Voltage @ Frequency	460.0 V @ 60 HZ 230.0 V @ 60 HZ
Agency Approvals	CSA NEMA PREMIUM UR
Ambient Temperature	40 °C
Auxillary Box	No Auxillary Box
Auxillary Box Lead Termination	None
Base Indicator	Rigid
Bearing Grease Type	Polyrex EM (-20F +300F)
Blower	None
Current @ Voltage	30.000 A @ 460.0 V 60.000 A @ 230.0 V
Design Code	A
Drip Cover	No Drip Cover
Duty Rating	CONT
Efficiency @ 100% Load	93.6 %
Electrically Isolated Bearing	Not Electrically Isolated
Feedback Device	NO FEEDBACK
Front Face Code	Standard
Front Shaft Indicator	None
Heater Indicator	No Heater
High Voltage Full Load Amps	30.0 a
Insulation Class	H

Part detail

Revision	H
Type	AC
Mech. spec.	40E430
Base	
Status	PRD/A
Elec. spec.	40WGX292
Layout	40LYE430
Eff. date	06-13-2024
CD Diagram	CD0180
Poles	04
Leads	9#10
Proprietary	False
Created date	01-04-2018

Inverter Code	Inverter Ready
KVA Code	H
Lifting Lugs	Standard Lifting Lugs
Locked Bearing Indicator	Locked Bearing
Motor Lead Exit	Ko Box
Motor Lead Quantity/Wire Size	9 @ 10 AWG
Motor Lead Termination	Flying Leads
Motor Standards	NEMA
Motor Type	4068M
Mounting Arrangement	F1
Number of Poles	4
Overall Length	28.14 IN
Power Factor	84
Product Family	WD All SD Non-Encapsulated
Pulley End Bearing Type	Ball
Pulley Face Code	Standard
Pulley Shaft Indicator	Standard
Rodent Screen	None
RoHS Status	ROHS COMPLIANT
Service Factor	1.15
Shaft Diameter	1.875 IN
Shaft Extension Location	Pulley End
Shaft Ground Indicator	No Shaft Grounding
Shaft Rotation	Reversible
Shaft Slinger Indicator	No Slinger
Speed	1775 rpm
Speed Code	Single Speed
Starting Method	Direct on line
Thermal Device - Bearing	None
Thermal Device - Winding	None
Vibration Sensor Indicator	No Vibration Sensor
Winding Thermal 1	None
Winding Thermal 2	None

AC Induction Motor Performance Data

Record # 70431

Typical performance - not guaranteed values

Winding: 40WGX292-R001		Type: 4068M	Enclosure: TEFC	
Nameplate Data			460 V, 60 Hz: High Voltage Connection	
Rated Output (HP)	25	Full Load Torque	73.77 LB-FT	
Volts	230/460	Start Configuration	direct on line	
Full Load Amps	60/30	Breakdown Torque	253 LB-FT	
R.P.M.	1775	Pull-up Torque	114 LB-FT	
Hz	60 Phase	Locked-rotor Torque	149 LB-FT	
NEMA Design Code	A KVA Code	Starting Current	211 A	
Service Factor (S.F.)	1.15	No-load Current	12 A	
NEMA Nom. Eff.	93.6 Power Factor	Line-line Res. @ 25°C	0.24122 Ω	
Rating - Duty	40C AMB-CONT	Temp. Rise @ Rated Load	69°C	
S.F. Amps		Temp. Rise @ S.F. Load	82°C	
		Locked-rotor Power Factor	30.2	

Load Characteristics 460 V, 60 Hz, 25 HP

% of Rated Load	25	50	75	100	125	150	S.F.
Power Factor	47	69	79	84	86	87	85
Efficiency	89.8	93.4	94.1	94.1	93.7	92.9	93.9
Speed	1794.2	1788.5	1782.1	1775.7	1769.6	1761.7	1772
Line amperes	13.9	18.1	23.5	29.6	36.3	43.6	33.6

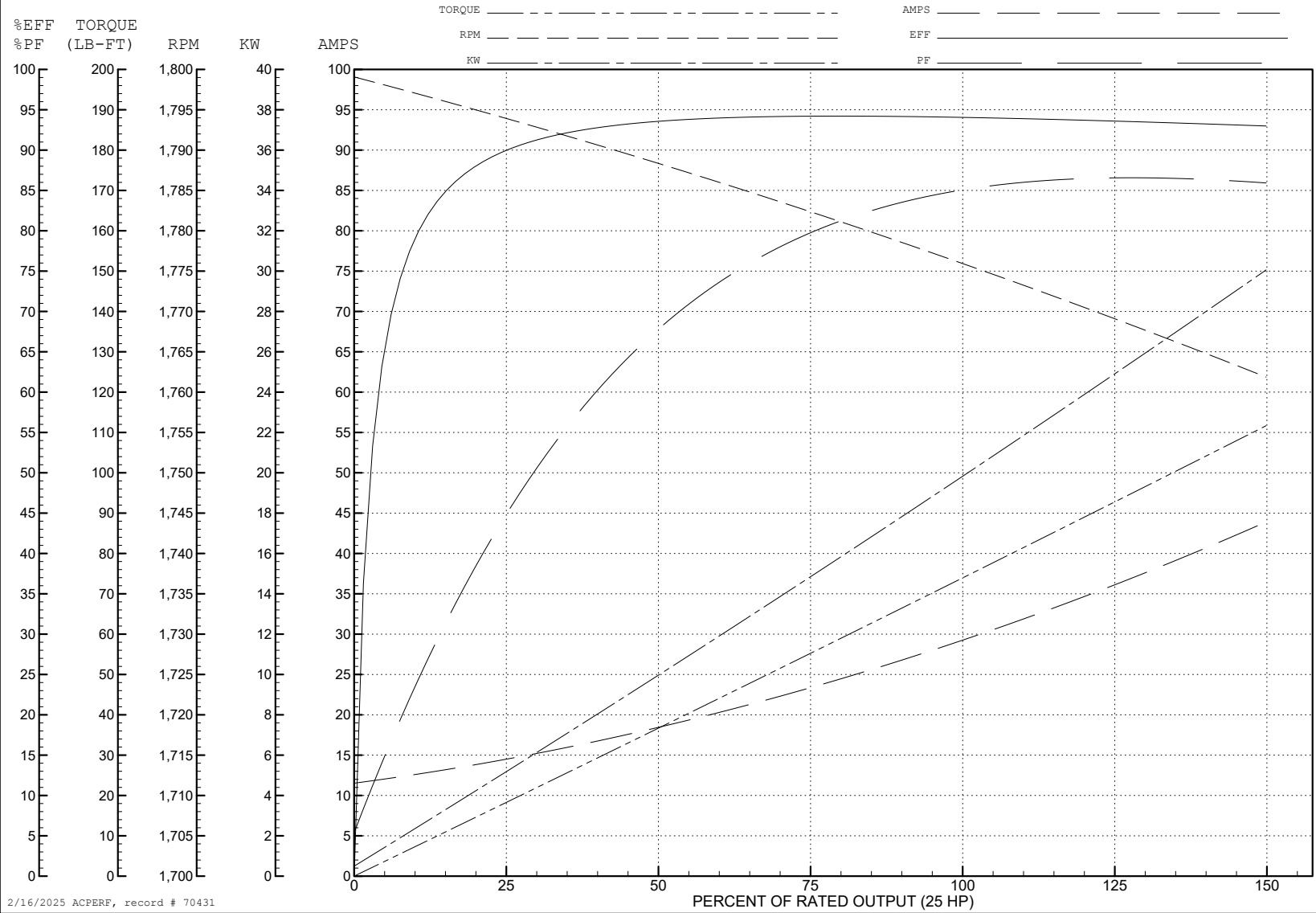
ABB Motors and Mechanical Inc.

WINDING # 40WGx292

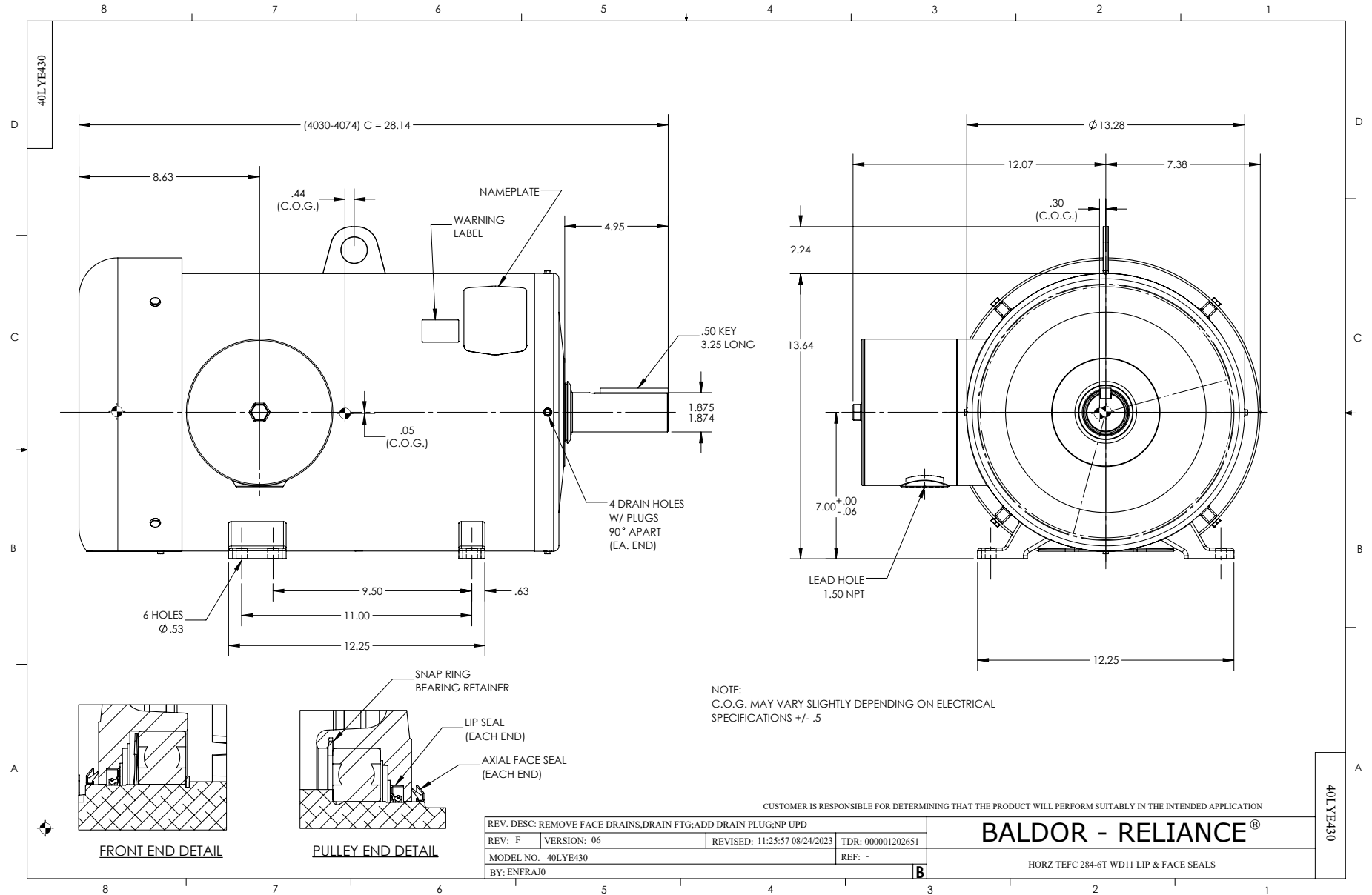
Typical performance - not guaranteed values.

25 HP 3 PH 60 HZ 1775 RPM 460 V 4068M

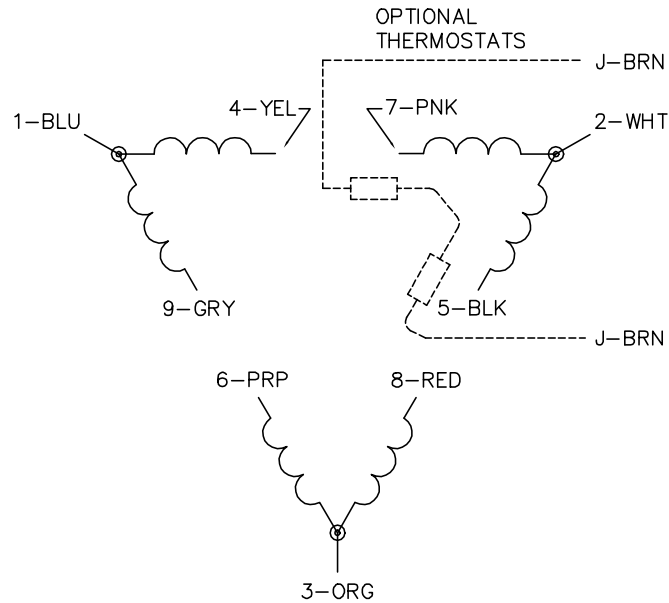
TORQUES (LB-FT): PO=253 PU=114 LR=149 LRA=211



2/16/2025 ACPERF, record # 70431



CD0180



LOW VOLTAGE
(2D)



HIGH VOLTAGE
(1D)



NOTES:

1. INTERCHANGE ANY TWO LINE LEADS TO REVERSE ROTATION.
2. OPTIONAL THERMOSTATS ARE PROVIDED WHEN SPECIFIED.
3. ACTUAL NUMBER OF INTERNAL PARALLEL CIRCUITS MAY BE A MULTIPLE OF THOSE SHOWN ABOVE.
4. LEAD COLORS ARE OPTIONAL. LEADS MUST ALWAYS BE NUMBERED AS SHOWN.

CD0180

REV. DESC: ADD CLASS CONN00000007		
REV. LTR: D	VERSION: 01	TDR: 000001099922
FILE: \AAA\00005\148	REVISED: 10: 25: 29 02/19/2019	BY: ENBRIRO
MTL: -	© □	

BALDOR - RELIANCE®

3PH, DV, 9 LEADS, DELTA CONNECTION

SH 1 of 1