

**BALDOR • RELIANCE**

---

# Customer information packet

## L1303X

.5HP, 3450RPM, 1PH, 60HZ, 56, 3413L, OPEN, F1, N

Class - None

Division - Not Applicable

## Specifications

|                                |   |
|--------------------------------|---|
| Enclosure                      | OPEN  |
| Frame                          | 56  |
| Frame Material                 | Steel   |
| Frequency                      | 60.00 Hz  |
| Haz Area Class and Group       | None  |
| Haz Area Division              | Not Applicable  |
| Motor Letter Type              | Cap Start, Induction Run                                    |
| Output @ Frequency             | .500 HP @ 60 HZ   |
| Phase                          | 1   |
| Synchronous Speed @ Frequency  | 3600 RPM @ 60 HZ  |
| Voltage @ Frequency            | 115.0 V @ 60 HZ<br>230.0 V @ 60 HZ                          |
| Agency Approvals               | CSA<br>UR   |
| Ambient Temperature            | 40 °C   |
| Auxillary Box                  | No Auxillary Box  |
| Auxillary Box Lead Termination | None  |
| Base Indicator                 | Rigid   |
| Bearing Grease Type            | Polyrex EM (-20F +300F)                                     |
| Blower                         | None  |
| Current @ Voltage              | 7.000 A @ 115.0 V<br>4.100 A @ 208.0 V<br>3.500 A @ 230.0 V |
| Design Code                    | N   |
| Drip Cover                     | No Drip Cover   |
| Duty Rating                    | CONT  |
| Efficiency @ 100% Load         | 66.0 %  |
| Electrically Isolated Bearing  | Not Electrically Isolated                                   |
| Feedback Device                | NO FEEDBACK   |
| Front Face Code                | Standard  |
| Front Shaft Indicator          | None  |
| Heater Indicator               | No Heater   |

## Part detail

|              |            |
|--------------|------------|
| Revision     | F          |
| Type         | AC         |
| Mech. spec.  | 34F074     |
| Base         |            |
| Status       | PRD/A      |
| Elec. spec.  | 34WGX716   |
| Layout       | 34LYF074   |
| Eff. date    | 12-31-2024 |
| CD Diagram   | CD0001     |
| Poles        | 02         |
| Leads        | 6#18       |
| Proprietary  | False      |
| Created date | 10-02-2017 |

|                               |                     |
|-------------------------------|---------------------|
| High Voltage Full Load Amps   | 3.5 a               |
| Insulation Class              | B                   |
| Inverter Code                 | Not Inverter        |
| KVA Code                      | L                   |
| Lifting Lugs                  | No Lifting Lugs     |
| Locked Bearing Indicator      | No Locked Bearing   |
| Motor Lead Exit               | Ko Box              |
| Motor Lead Quantity/Wire Size | 6 @ 18 AWG          |
| Motor Lead Termination        | Flying Leads        |
| Motor Standards               | NEMA                |
| Motor Type                    | 3413L               |
| Mounting Arrangement          | F1                  |
| Number of Poles               | 2                   |
| Overall Length                | 9.51 IN             |
| Power Factor                  | 72                  |
| Product Family                | General Purpose     |
| Pulley End Bearing Type       | Ball                |
| Pulley Face Code              | Standard            |
| Pulley Shaft Indicator        | Standard            |
| Rodent Screen                 | None                |
| Service Factor                | 1.25                |
| Shaft Diameter                | 0.625 IN            |
| Shaft Extension Location      | Pulley End          |
| Shaft Ground Indicator        | No Shaft Grounding  |
| Shaft Rotation                | Reversible          |
| Shaft Slinger Indicator       | No Slinger          |
| Speed                         | 3450 rpm            |
| Speed Code                    | Single Speed        |
| Starting Method               | Direct on line      |
| Thermal Device - Bearing      | None                |
| Thermal Device - Winding      | None                |
| Vibration Sensor Indicator    | No Vibration Sensor |
| Winding Thermal 1             | None                |
| Winding Thermal 2             | None                |

**Nameplate**

| <b>NP1256L</b>      |                    |             |           |            |   |              |   |  |  |  |
|---------------------|--------------------|-------------|-----------|------------|---|--------------|---|--|--|--|
| <b>CAT.NO.</b>      | L1303X             |             |           |            |   |              |   |  |  |  |
| <b>SPEC.</b>        | 34F074X716G1       |             |           |            |   |              |   |  |  |  |
| <b>HP</b>           | .5                 |             |           |            |   |              |   |  |  |  |
| <b>VOLTS</b>        | 115/230            |             |           |            |   |              |   |  |  |  |
| <b>AMP</b>          | 7/3.5 SFA 8/4      |             |           |            |   |              |   |  |  |  |
| <b>RPM</b>          | 3450               |             |           |            |   |              |   |  |  |  |
| <b>FRAME</b>        | 56                 |             | <b>HZ</b> | 60         |   | <b>PH</b>    | 1 |  |  |  |
| <b>SER.F.</b>       | 1.25               | <b>CODE</b> | L         | <b>DES</b> | N | <b>CLASS</b> | B |  |  |  |
| <b>NEMA-NOM-EFF</b> | 66                 | <b>PF</b>   | 72        |            |   |              |   |  |  |  |
| <b>RATING</b>       | 40C AMB-CONT       |             |           |            |   |              |   |  |  |  |
| <b>CC</b>           |                    |             |           |            |   |              |   |  |  |  |
| <b>DE</b>           | 6203               | <b>ODE</b>  | 6203      |            |   |              |   |  |  |  |
| <b>ENCL</b>         | OPEN               | <b>SN</b>   |           |            |   |              |   |  |  |  |
|                     | NOT FOR USE IN USA |             |           |            |   |              |   |  |  |  |

**AC Induction Motor Performance Data**

Record # 50761

Typical performance - not guaranteed values

| <b>Winding:</b> 34WGX716-R001 |                        | <b>Type:</b> 3413L |  | <b>Enclosure:</b> OPEN       |  |
|-------------------------------|------------------------|--------------------|--|------------------------------|--|
| <b>Nameplate Data</b>         |                        |                    | <b>230 V, 60 Hz:<br/>High Voltage Connection</b> |                              |  |
| <b>Rated Output (HP)</b>      | .5                     |                    | <b>Full Load Torque</b>                          | 0.75 LB-FT                   |  |
| <b>Volts</b>                  | 115/230                |                    | <b>Start Configuration</b>                       | direct on line               |  |
| <b>Full Load Amps</b>         | 7/3.5                  |                    | <b>Breakdown Torque</b>                          | 2.3 LB-FT                    |  |
| <b>R.P.M.</b>                 | 3450                   |                    | <b>Pull-up Torque</b>                            | 2 LB-FT                      |  |
| <b>Hz</b>                     | <b>60 Phase</b>        | 1                  | <b>Locked-rotor Torque</b>                       | 2.2 LB-FT                    |  |
| <b>NEMA Design Code</b>       | <b>N KVA Code</b>      | L                  | <b>Starting Current</b>                          | 21 A                         |  |
| <b>Service Factor (S.F.)</b>  | 1.25                   |                    | <b>No-load Current</b>                           | 2.76 A                       |  |
| <b>NEMA Nom. Eff.</b>         | <b>66 Power Factor</b> | 72                 | <b>Line-line Res. @ 25°C</b>                     | 4.163 Ω A Ph<br>4.624 Ω B Ph |  |
| <b>Rating - Duty</b>          | 40C AMB-CONT           |                    | <b>Temp. Rise @ Rated Load</b>                   |                              |  |
| <b>S.F. Amps</b>              | 8/4                    |                    | <b>Temp. Rise @ S.F. Load</b>                    |                              |  |

**Load Characteristics 230 V, 60 Hz, 0.5 HP**

| <b>% of Rated Load</b> | <b>25</b> | <b>50</b> | <b>75</b> | <b>100</b> | <b>125</b> | <b>150</b> | <b>S.F.</b> |
|------------------------|-----------|-----------|-----------|------------|------------|------------|-------------|
| <b>Power Factor</b>    | 29        | 48        | 60        | 69         | 76         | 78         | 76          |
| <b>Efficiency</b>      | 50.7      | 58.5      | 64.8      | 66.2       | 65.8       | 64.6       | 65.8        |
| <b>Speed</b>           | 3548      | 3520      | 3489      | 3449       | 3405       | 3346       | 3405        |
| <b>Line amperes</b>    | 2.78      | 2.88      | 3.13      | 3.5        | 3.95       | 4.64       | 3.95        |

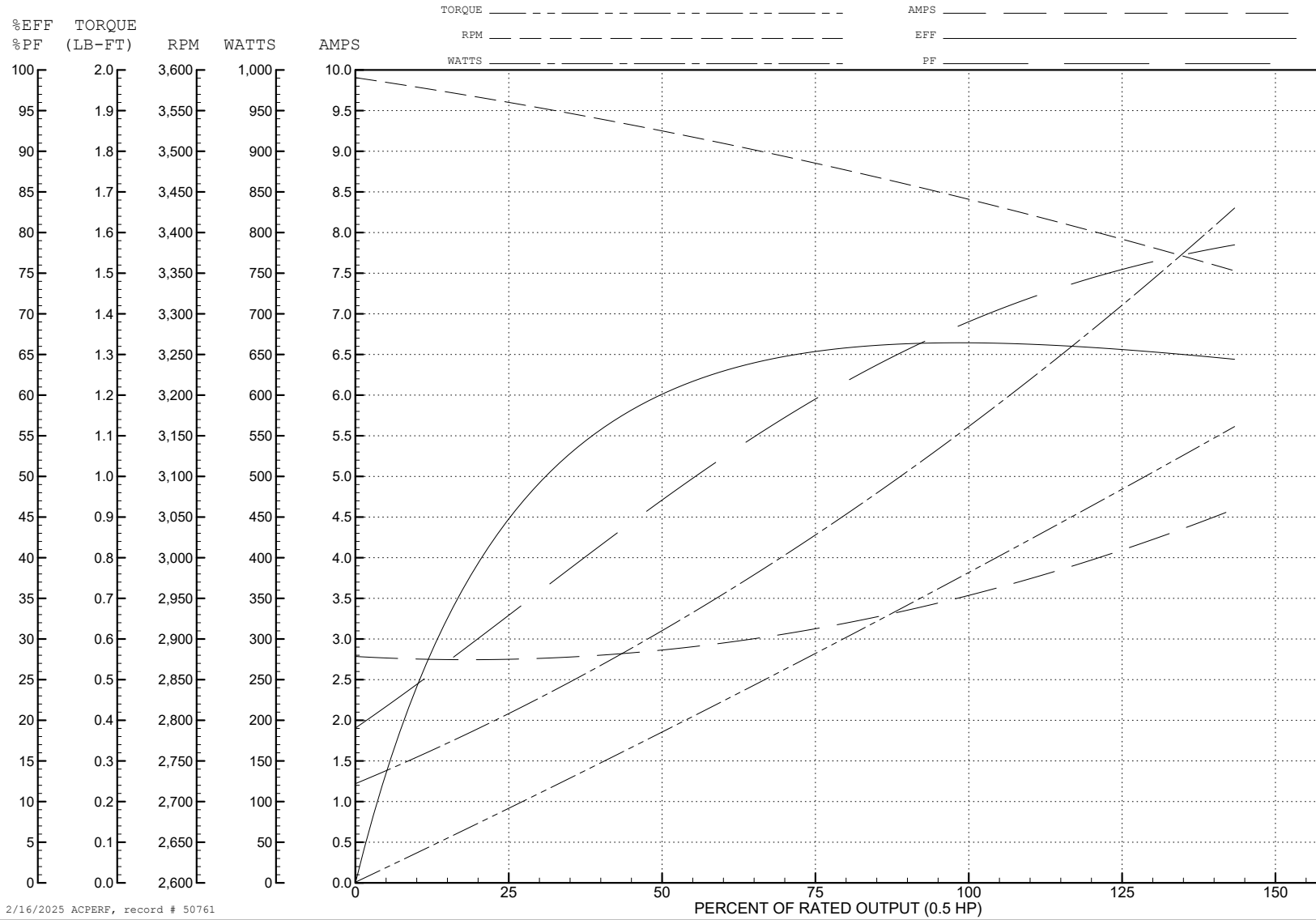
ABB Motors and Mechanical Inc.

WINDING # 34WGx716

Typical performance - not guaranteed values.

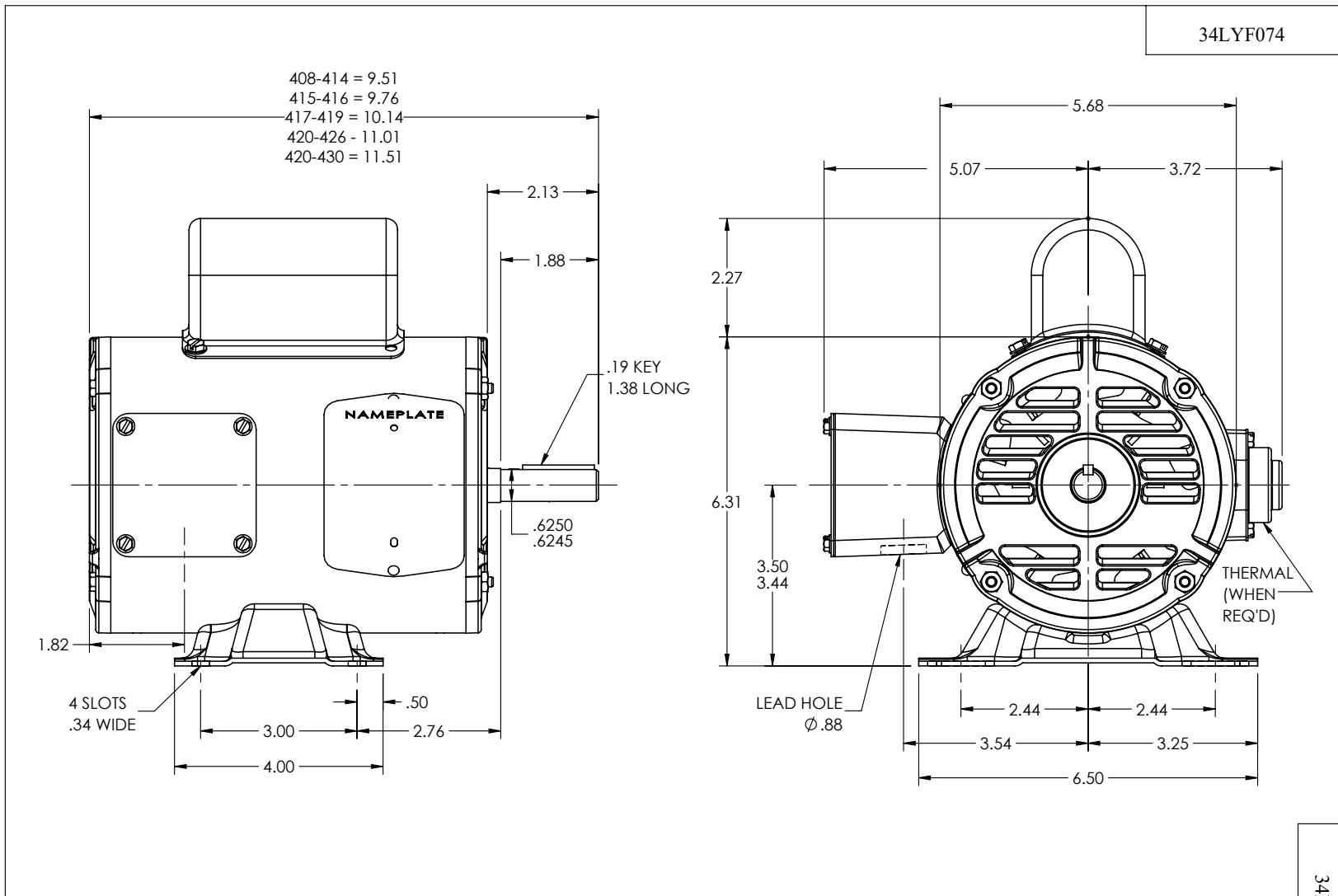
0.5 HP 1 PH 60 HZ 3450 RPM 230 V 3413L

TORQUES (LB-FT): PO=2.3 PU=2 LR=2.2 LRA=21



2/16/2025 ACPERF, record # 50761

34LYF074



CUSTOMER IS RESPONSIBLE FOR DETERMINING THAT THE PRODUCT WILL PERFORM SUITABLY IN THE INTENDED APPLICATION

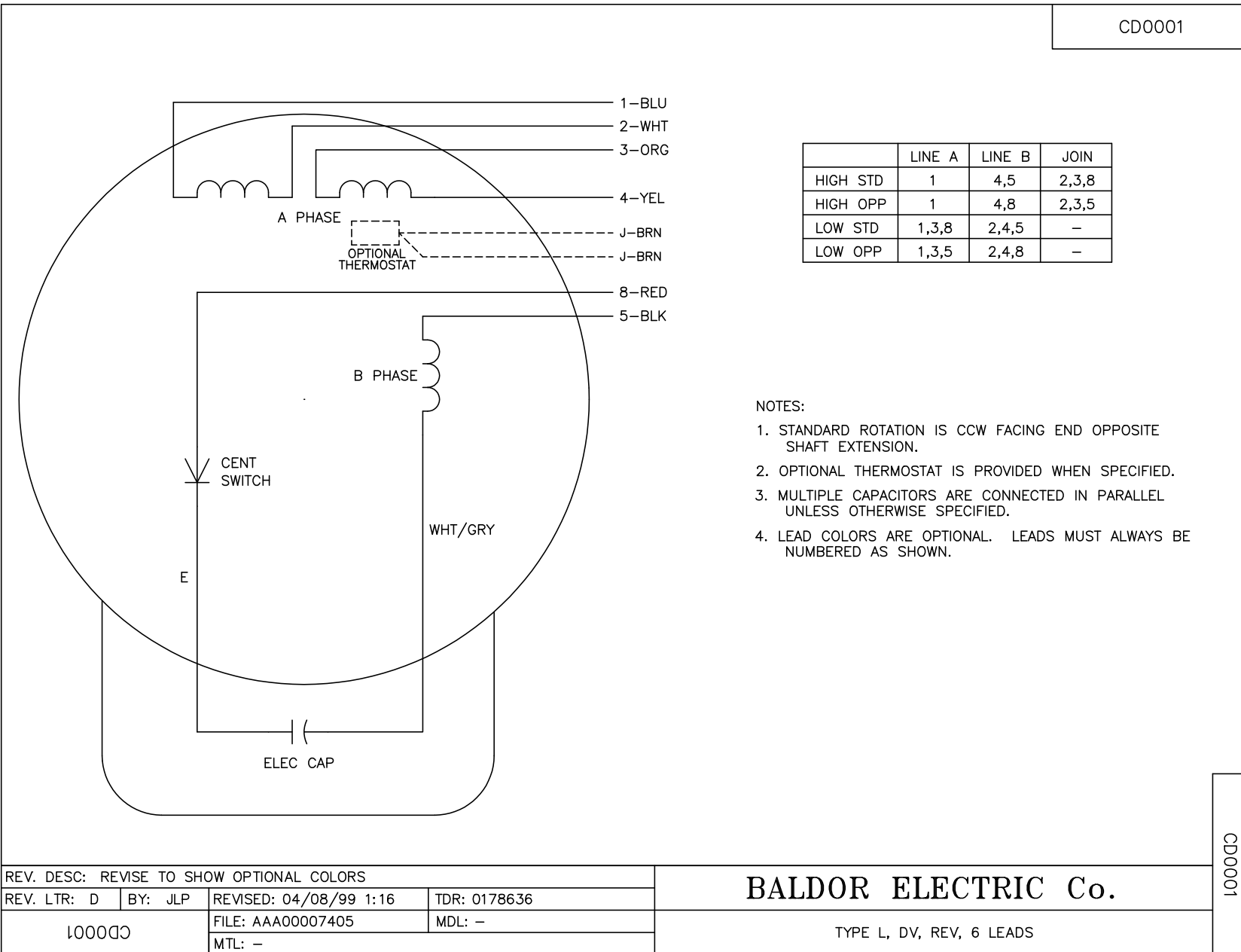
|                                       |             |                              |                   |
|---------------------------------------|-------------|------------------------------|-------------------|
| REV. DESC: LOAD TO SOLIDWORKS - REV G |             |                              |                   |
| REV: H                                | VERSION: 05 | REVISED: 04:20:44 01/02/2023 | TDR: 000001201165 |
| 34LYF074                              |             | MODEL NO. 34LYF074           | REF: -            |
|                                       |             | BY: ENFRAJ0                  |                   |

**BALDOR - RELIANCE®**

STD HORZ MODEL 34L NEMA 56 OPEN W/LG CAPAC & 3 PH ER

34LYF074

CD0001



NOTES:

1. STANDARD ROTATION IS CCW FACING END OPPOSITE SHAFT EXTENSION.
2. OPTIONAL THERMOSTAT IS PROVIDED WHEN SPECIFIED.
3. MULTIPLE CAPACITORS ARE CONNECTED IN PARALLEL UNLESS OTHERWISE SPECIFIED.
4. LEAD COLORS ARE OPTIONAL. LEADS MUST ALWAYS BE NUMBERED AS SHOWN.

CD0001

|   |         |                        |              |
|---|---------|------------------------|--------------|
| REV. DESC: REVISE TO SHOW OPTIONAL COLORS |         |                        |              |
| REV. LTR: D                               | BY: JLP | REVISED: 04/08/99 1:16 | TDR: 0178636 |
| 100000                                    |         | FILE: AAA00007405      | MDL: -       |
|   |         | MTL: -                 |              |

**BALDOR ELECTRIC Co.**

TYPE L, DV, REV, 6 LEADS