

**BALDOR • RELIANCE**

---

# Customer information packet

## VDP3455

1HP, 1750RPM, DC, 56C, 3435P, TEFC, F1, N

Class - None

Division -

## Specifications

Armature Voltage	180 V
Base Speed	1750 rpm
Enclosure	TEFC
Frame	56C
Frame Material	Steel
Haz Area Class and Group	None
Output Power	1.000 HP
Ambient Temperature	40 °C
Armature Current	5.0 a
Armature Inertia	13.657 lb-ft <sup>2</sup>
Base Indicator	No Mounting
Bearing Grease Type	Polyrex EM (-20F +300F)
Drip Cover	No Drip Cover
Duty Rating	CONT
Feedback Device	NO FEEDBACK
Heater Indicator	No Heater
Insulation Class	F
Lifting Lugs	No Lifting Lugs
Motor Lead Exit	Ko Box
Motor Lead Quantity/Wire Size	2 @ 14 AWG
Motor Lead Termination	Flying Leads
Motor Standards	NEMA
Mounting Arrangement	F1
Overall Length	15.47 IN
Product Family	General Purpose
Pulley End Bearing Type	Sealed Bearing
RoHS Status	ROHS COMPLIANT
Service Factor	1.00
Shaft Diameter	0.625 IN
Shaft Extension Location	Pulley End
Shaft Ground Indicator	No Shaft Grounding
Shaft Rotation	Reversible

## Part detail

Revision	L
Type	DC
Mech. spec.	34-6244
Base	
Status	PRD/A
Elec. spec.	34WG3865
Layout	34LY6244
Eff. date	10-25-2024
CD Diagram	CD0194
Poles	00
Leads	
Proprietary	False
Created date	01-24-2018

**Shaft Slinger Indicator**

**No Slinger**

---

**Nameplate**

<b>NP0891L</b>					
<b>CAT.NO.</b>	VDP3455				
<b>SPEC.</b>	34-6244-3865				
<b>HP</b>	1/KW.75	<b>ENCL</b>	TEFC		
<b>RPM</b>	1750 1/MIN				
<b>FRAME</b>	56C	<b>TYPE</b>	3435P		
<b>ARM V</b>	180	<b>ARM A</b>	5		
<b>FLD V</b>		<b>FLD A</b>			
<b>INSUL</b>	F	<b>AMB.</b>	40		
<b>DUTY</b>	CONT	<b>SUPPLY</b>	1.5		
<b>BRG/DE</b>	6203	<b>BRG/ODE</b>	6203		
<b>BRUSHES</b>	2/BP5000AW14				
		<b>BLANK</b>			
<b>SER.</b>					
<b>BLANK</b>	IP44 KG21 IC411				
<b>APRV-CE</b>	Y	<b>APRV-CSA</b>	Y	<b>APRV-UL</b>	Y

**DC Motor Performance Data**

Record # 237

Typical performance - not guaranteed values

<b>Winding: 34WG3865-R001</b>		<b>Type: 3435P</b>		<b>Enclosure: TEFC</b>	
<b>Nameplate Data</b>			<b>General Characteristics</b>		
<b>Rated Output (HP)</b>	1	<b>Armature Resistance @ 25°C</b>	1.9971 Ω		
<b>R.P.M.</b>	1750				
<b>Armature Volts</b>	180				
<b>Armature Amps</b>	5				
<b>Field Volts</b>					
<b>Field Amps</b>					
<b>Rating - Duty</b>	40C AMB-CONT				
<b>Form Factor</b>	1.5				

**Load Characteristics at 180 Armature Volts**

<b>Load Point</b>	<b>1</b>	<b>2</b>	<b>3</b>	<b>4</b>	<b>5</b>	<b>6</b>	<b>7</b>
<b>Armature Amps</b>	0.23	1.41	2.52	3.66	4.83	7.05	9.26
<b>R.P.M.</b>	1870	1829	1794	1755	1720	1643	1590
<b>Torque ( LB-FT )</b>	0	0.75	1.51	2.26	3.05	4.55	6.03

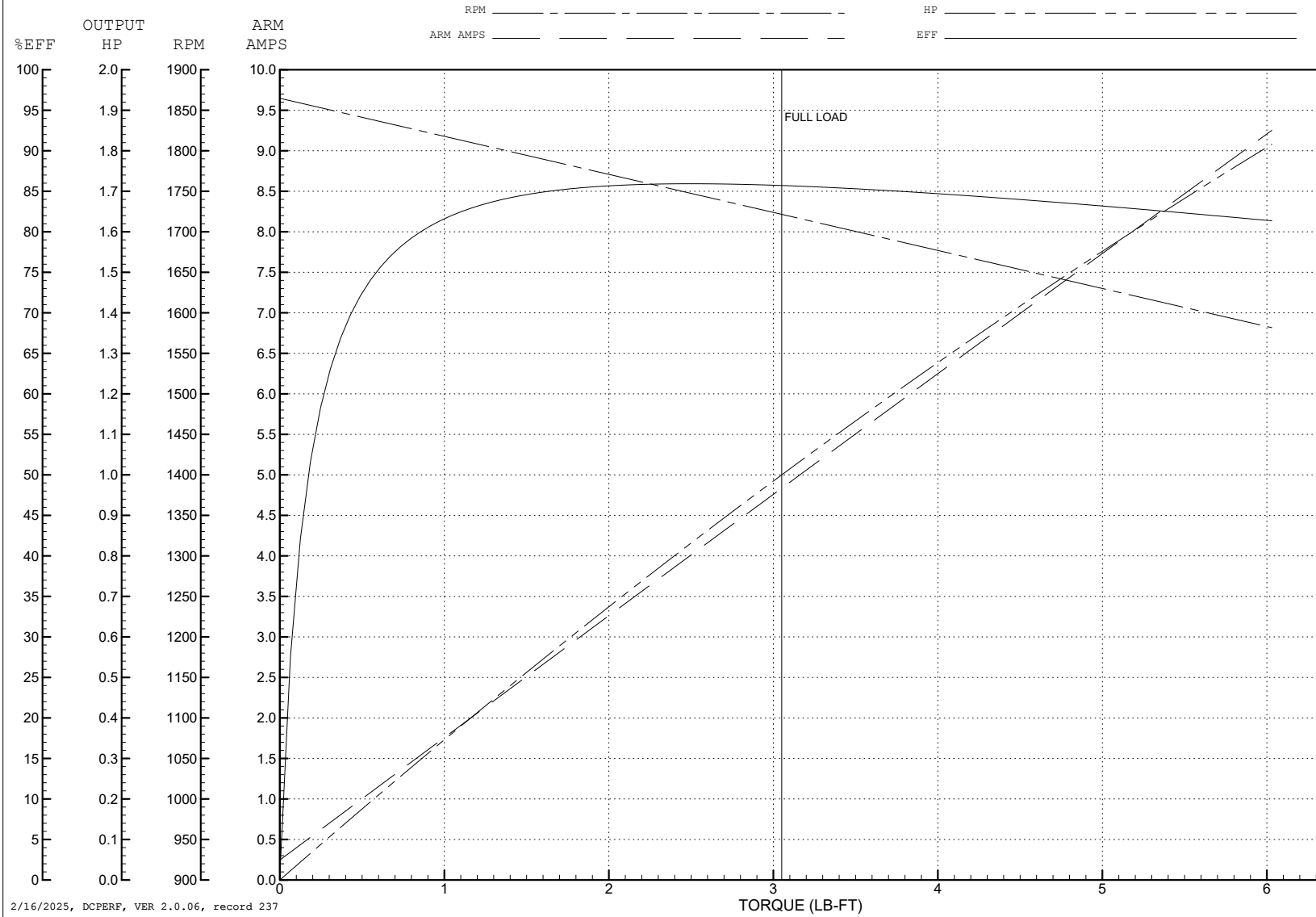
ABB Motors and Mechanical Inc.

WINDING # 34WG3865

1 HP DC 1750 RPM 180 V 3435P

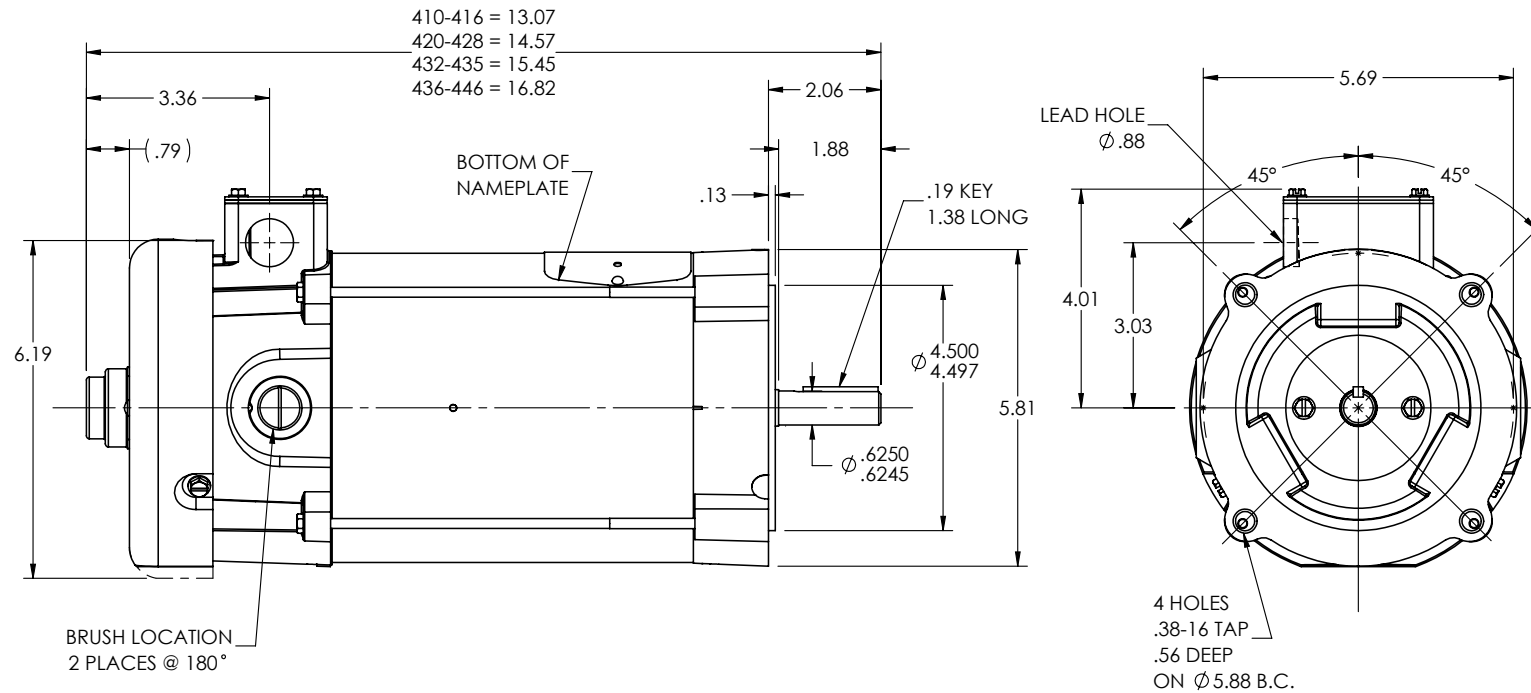
Typical performance - not guaranteed values.

ENCL: TEFC DUTY: CONT CL: F



2/16/2025, DCPERF, VER 2.0.06, record 237

34LY6244



CUSTOMER IS RESPONSIBLE FOR DETERMINING THAT THE PRODUCT WILL PERFORM SUITABLY IN THE INTENDED APPLICATION

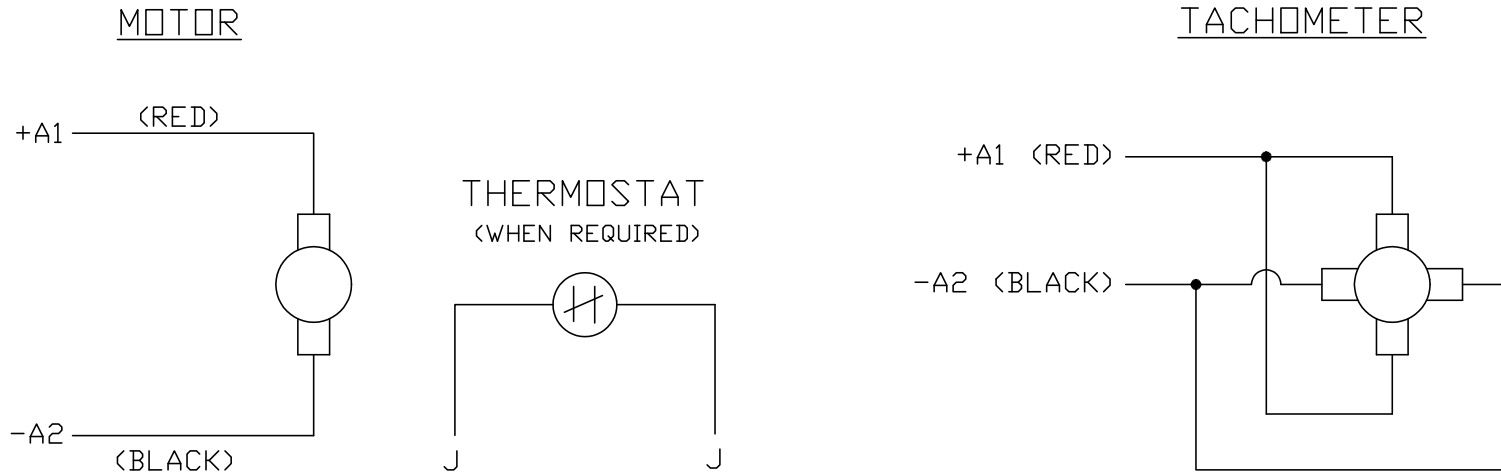
REV. DESC: LOAD TO SOLIDWORKS - REV D			
REV: E	VERSION: 02	REVISED: 08:21:32 04/28/2023	TDR: 000001201165
34LY6244		MODEL NO. 34LY6244	REF: -
		BY: ENFRAJ0	

**BALDOR - RELIANCE®**

STD VERT 34PM NEMA 56C W/MFTK & EXT THRU BOLTS

34LY6244

CD0194



NOTES:

1. CCW ROTATION AS SHOWN FACING COMMUTATOR END. TO REVERSE MOTOR ROTATION OR TACHOMETER OUTPUT POLARITY INTERCHANGE LEADS A1(RED) & A2(BLACK)
2. LEAD COLORS FOR REFERENCE ONLY & NOT SPECIFIED BY THIS DRAWING. LEAD COLORS SPECIFIED BY LAYOUT DRAWING & BILL OF MATERIAL ONLY.

MATL: -			
REV: E	ADDED NOTE "LEAD COLORS FOR REFERENCE ONLY &..."		
CD0194	SCALE: -	BY: CK	REVISED: 07/28/95
	FILE: AAA00004503	TDR: 0078737	

**BALDOR ELECTRIC Co.**

CD TYPE P DC PERMANENT MAGNET MOTORS AND TACHOMETERS

CD0194