

BALDOR • RELIANCE

Customer information packet

XEFRPM28304

30HP, 1800, 460V, HL286T, TEFC, F1

Specifications

Enclosure	TEFC
Frame	HL286T
Frame Material	Exposed Laminations
Frequency	60.00 Hz
Output @ Frequency	30.000 HP @ 60 HZ
Phase	3
Synchronous Speed @ Frequency	1800 RPM @ 60 HZ
Voltage @ Frequency	460.0 V @ 60 HZ
Agency Approvals	CCSA US NEMA PREMIUM
Auxillary Box	No Auxillary Box
Base Indicator	Rigid
Bearing Grease Type	Polyrex EM (-20F +300F)
Constant Torque Speed Range	1-60
Current @ Voltage	30.000 A @ 460.0 V
Duty Rating	CONT
Feedback Device	NO FEEDBACK
Frame Prefix	HL
Heater Indicator	No Heater
High Voltage Full Load Amps	30.0 a
Insulation Class	H
KVA Code	G
Motor Standards	NEMA
Mounting Arrangement	F1
Overall Length	27.37 IN
Product Family	Fan
Pulley End Bearing Type	Ball
Pulley Face Code	Other
Service Factor	1.15
Shaft Diameter	1.875 IN
Shaft Ground Indicator	No Shaft Grounding
Shaft Rotation	Reversible

Part detail

Revision	E
Type	AC
Mech. spec.	
Base	
Status	PRD/A
Elec. spec.	LS7019A
Layout	619697-001
Eff. date	04-23-2019
CD Diagram	422927-001
Poles	04
Leads	
Proprietary	False
Created date	05-13-2016

Speed	1800 rpm
Thermal Device - Bearing	None
Thermal Device - Winding	None

Nameplate

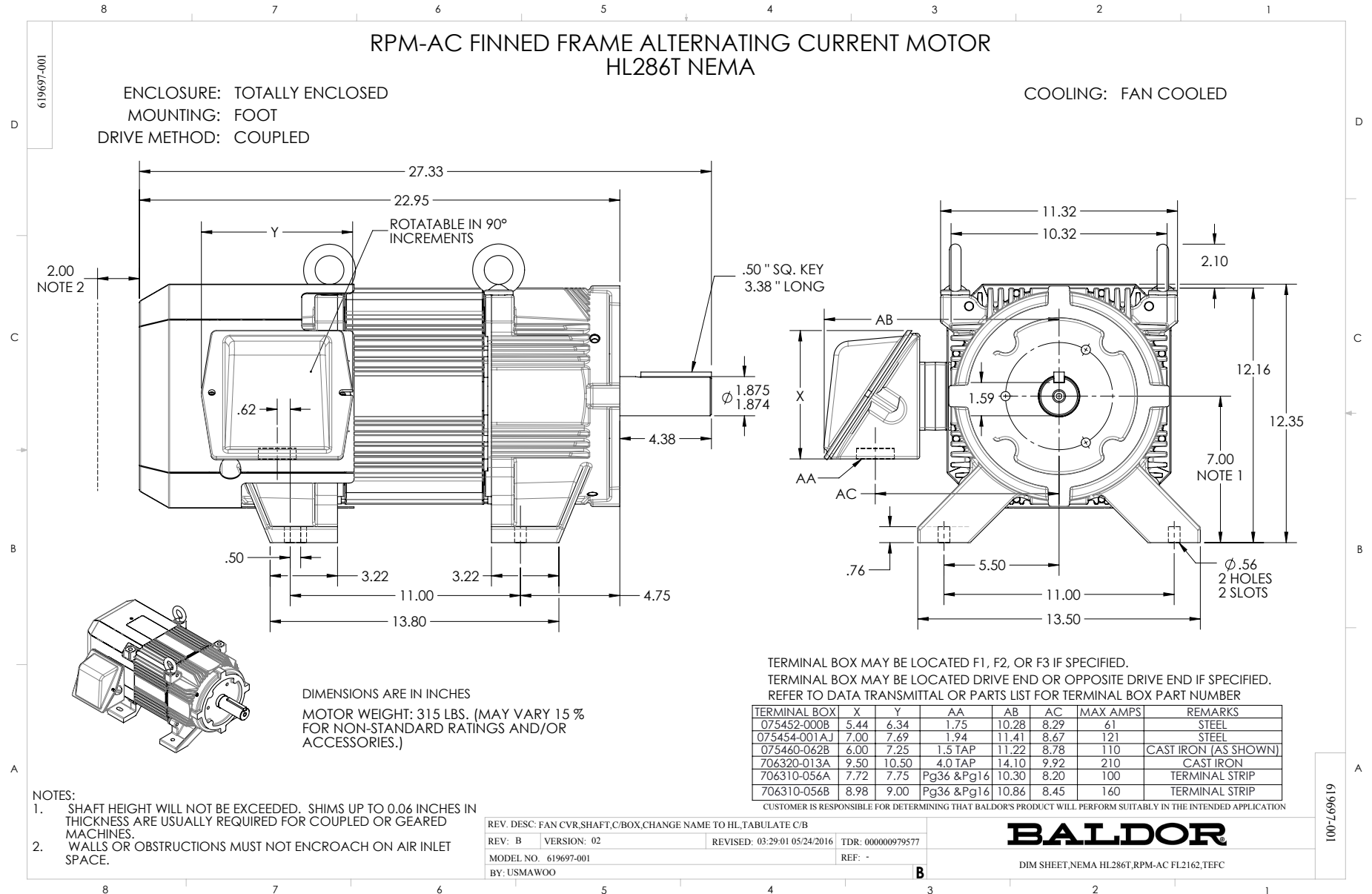
000613007QF

	DUTY	HP	RPM	AMPS	VOLTS	HZ					
	CONT	30	1800	30.0	460	60					
CAT.NO.	XEFRPM28304		SPEC. NO.		H28-A000-0001						
SER.NO.			FRAME SIZE		HL286T	TYPE PSM					
AMB.	40	S.F.	1.15	ENCL.	TEFC	PH	3	DESIGN	B	CODE	G
NEMA NOM. EFF	95.4		GUARANTEED EFFICIENCY		94.5		POWER FACTOR	97.3		INSUL. CLASS	H
D.E. BRG.	50BC03J30X		O.D.E. BRG.		45BC02J30X						
VPWM INVERTER DUTY @1.0SF	CHP HZ	60-90		CT HZ	1-60		VT HZ	0-60			
	X/T										

000692000VY

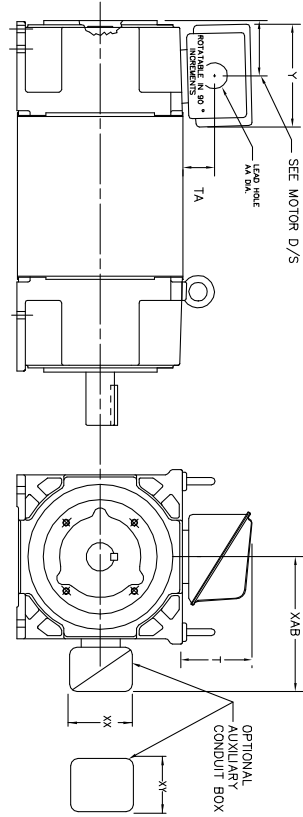
MEAS OPEN CIRCUIT VOLTAGE

IS VOLTS AT RPM.



INDUSTRIAL ALTERNATING CURRENT MOTORS
RPM AC

STEEL, CAST IRON, MILL AND TERMINAL BOARD CONDUIT BOX DIMENSIONS
NEMA FRAMES RL210 thru RL280 and IEC FRAMES RDL132 thru RDL180
NEMA FRAMES FL180 thru FL280 and IEC FRAMES FDL112 thru FDL180



FRAME	TYPE	TERMINAL STRIP	AMPS	C/BOX	Y	TA	T	AA
FL180	STEEL	N	40	706320003A	5.00	1.62	3.00	1.12
FL180	STEEL	N	75	706320003A	6.12	2.38	4.38	1.75/2.00
FL180	STEEL	N	208	706320007A	6.12	2.00	7.00	2.50/3.00
FL180	CAST IRON	N	208	706320007A	6.12	2.38	4.38	1.50/1.75
FL180 & FDL11	MILL	Y	100	706310028A	7.75	2.30	4.40	PC29/PG16
FL210 & RL210	STEEL	N	61	0754520009	6.34	2.00	4.12	1.75
FL210 & RL210	STEEL	N	121	0754520009	7.69	2.38	5.25	1.94
FL210 & RL210	STEEL	N	336	706320016A	9.00	4.12	8.42	4.89
FL210 & RL210	CAST IRON	N	110	075460052B	7.25	2.50	5.25	1.5 TAP
FL210 & RL210	MILL	Y	100	706310225A	7.75	2.30	4.40	PC29/PG16
FL210 & RL210	MILL	Y	160	706310056A	9.00	3.06	5.40	PC36/PG16
FL210 & RL210	MILL	Y/N	235	706310637A	11.42	4.00	6.72	2.50
FL250 & RL250	STEEL	N	61	0754520009	6.34	2.00	4.12	1.75
FL250 & RL250	STEEL	N	121	0754520009	7.69	2.38	5.25	1.94
FL250 & RL250	CAST IRON	N	110	075460052B	7.25	2.50	5.25	1.5 TAP
FL250 & RL250	CAST IRON	N	210	706320016A	10.50	4.88	9.00	4.0 TAP
FL250 & RL250	MILL	Y	100	706310225A	7.75	2.30	4.40	PC29/PG16
FL250 & RL250	MILL	Y	160	706310056A	9.00	3.06	5.40	PC36/PG16
FL250 & RL250	MILL	Y/N	235	706310637A	11.42	4.00	6.72	2.50
FL250 & RL250	MILL	Y	400	706310063B	14.39	7.43	12.15	BLANK

FRAME	TYPE	TERMINAL STRIP	AMPS	C/BOX	Y	TA	T	AA
FL280 & RL280	STEEL	N	160	706310056A	7.75	3.50	7.06	2.50
FL280 & RL280	STEEL	N	300	706320016A	9.00	4.88	9.00	4.0 TAP
FL280 & RL280	STEEL	N	500	70256001C	14.62	7.56	12.70	5.00
FL280 & RL280	CAST IRON	N	140	706320012B	9.25	4.81	8.56	3.0 TAP
FL280 & RL280	CAST IRON	N	210	706320015A	10.50	4.88	9.00	4.0 TAP
FL280 & RL280	CAST IRON	N	510	706320014D	15.00	7.56	12.81	5.0 TAP
FL280 & RL280	MILL	Y	100	706310056A	7.75	2.30	4.40	PC29/PG16
FL280 & RL280	MILL	Y	160	706310056B	9.00	3.06	5.40	PC36/PG16
FL280 & RL280	MILL	Y/N	235	706310637A	11.42	4.00	6.72	2.50
FL280 & RL280	MILL	Y	400	706310063B	14.39	7.43	12.15	BLANK

FRAME SIZE	OPTIONAL AUXILIARY CONDUIT BOX DIMENSIONS (MAXIMUM)								
	XAB	XX	XY	PART NUMBER	FRAME SIZE	PART NUMBER			
FL210/FL180/FL132	7.38	4.25	4.25	602007-26-A	FL210/FL180/FL132	10.88	8.00	8.00	706310-3-B
FL250/FL160/FL112	8.44	4.25	4.25	602007-26-A	FL250/FL160/FL112	11.88	8.00	8.00	706310-3-B
FL280/FL190/FL280/FL180	9.12	4.25	4.25	602007-26-A	FL280/FL190/FL280/FL180	12.62	8.00	8.00	706310-3-B

- (1) 7/8" PIPE TAP
- (2) CUSTOMER TO PROVIDE WIRE TYPE CONDUIT.
- (3) DIM SA ON 1" DIA DN W/2

TERMINAL BOX CAN BE ROTATED FOR LEAD INLET AT TOP, SIDES OR BOTTOM. TERMINAL BOX LOCATED ON OPPOSITE SIDE WHEN F-2, V-1, V-4, V-5, V-7, OR C-1 MOUNTING IS SPECIFIED. BOX LOCATED ON TOP WHEN SPECIFIED.

050-677919

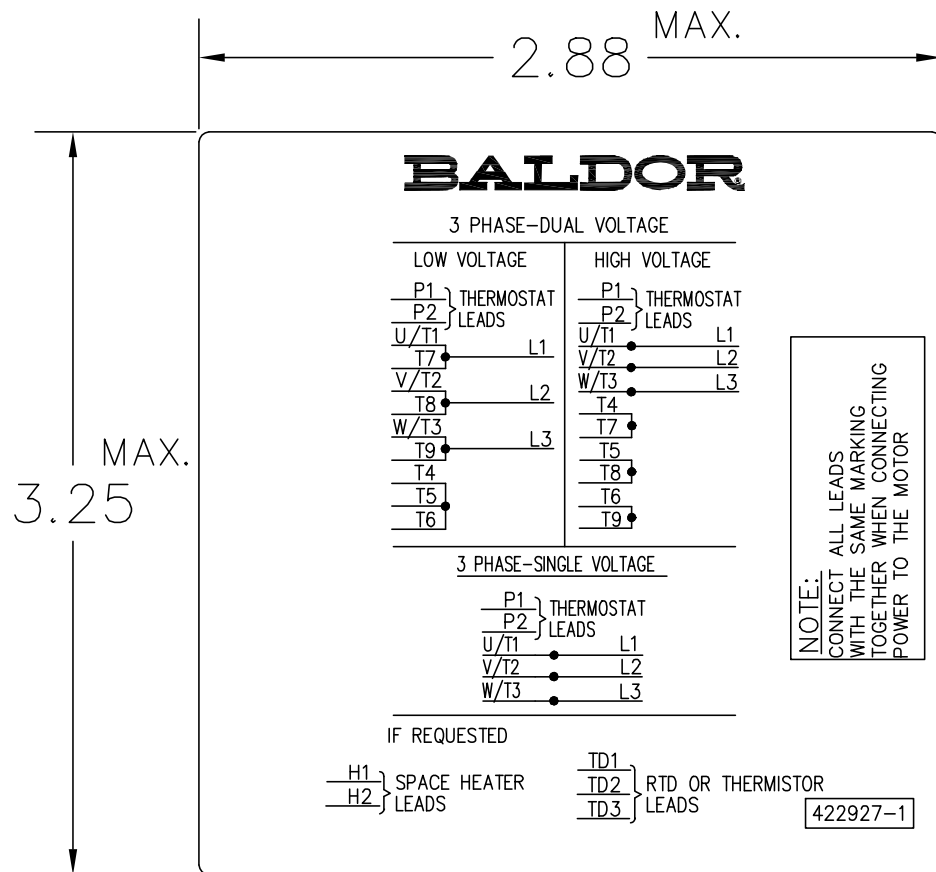
CUSTOMER IS RESPONSIBLE FOR DETERMINING THAT BALDOR'S PRODUCT WILL PERFORM SUITABLY IN THE INTENDED APPLICATION.

REV. DESC: ADD 706310-637 & 639 BOX	VERSION: 06	TDR: 000001180260
REV. LTR: F	REVISED: 11: 08: 56 10/26/2021	BY: RCGRWM
FILE: \RGG\00003\692		
MTL: -		

BALDOR - RELIANCE®

DIM SHT NEMA RL210-RL280 FL180-FL280 IEC RDL132-RDL180

422927-001



NOTE:
DATA TO BE SIZED
SO THAT IT FITS INTO
MATERIAL DECAL
DIMENSIONS. MAKE
LETTERS & NUMBERS
AS LARGE AS POSSIBLE.

MATERIAL: CERAMATIC DGF-P4
PERMA GRIP ADHESIVE

ALL LETTERS, NUMBERS
AND LINES TO BE BLACK
ON WHITE BACKGROUND.

422927-001

REV. DESC: CHANGE BACKGROUND COLOR FROM GOLD TO WHITE		
REV. LTR: B	VERSION: 02	TDR: 00000788708
FILE: \RGG\00000\203	REVISED: 08:09:29 03/04/2013	
MTL: -	BY: RGGWT	

BALDOR

EXTERNAL CONNECTION LABEL

SH 1 of 1